



US0D1015711S

(12) **United States Design Patent** (10) **Patent No.:** **US D1,015,711 S**  
**To'oto'o** (45) **Date of Patent:** **\*\* Feb. 27, 2024**

(54) **SHOE CLEAT**  
(71) Applicant: **Under Armour, Inc.**, Baltimore, MD (US)  
(72) Inventor: **Gabriel To'oto'o**, Baltimore, MD (US)  
(73) Assignee: **Under Armour, Inc.**, Baltimore, MD (US)

9,955,752 B2 5/2018 Ito et al.  
D939,935 S \* 1/2022 Tang ..... A43C 15/162  
D8/354  
D955,869 S \* 6/2022 Taylor ..... A43C 15/16  
D8/400  
D971,571 S \* 12/2022 To'oto'o ..... A43C 15/161  
D2/962  
D993,164 S \* 7/2023 Ganshaw ..... D13/102  
(Continued)

(\*\*) Term: **15 Years**  
(21) Appl. No.: **29/730,896**  
(22) Filed: **Apr. 9, 2020**  
(51) **LOC (14) Cl.** ..... **02-04**  
(52) **U.S. Cl.**  
USPC ..... **D2/946; D2/962**  
(58) **Field of Classification Search**  
USPC ..... D2/902, 906, 908, 914, 946-960, 962,  
D2/968, 977; D8/354, 387  
CPC ..... A43C 13/04; A43C 15/00; A43C 15/02;  
A43C 15/16; A43C 15/161; A43C 15/162  
See application file for complete search history.

**OTHER PUBLICATIONS**

Outdoor Sport Pro-Arc Metal Baseball Replacement Cleats Model, announced Jul. 17, 2015 [online], [site visited May 11, 2023]. Available from internet, URL: <https://www.amazon.com/Pro-Arc-Metal-Baseball-Replacement-Cleats/dp/B011TW0F2U> (Year: 2015).\*

*Primary Examiner* — Leanne Was-Englehart  
*Assistant Examiner* — Yelizaveta Y Masalimova  
(74) *Attorney, Agent, or Firm* — Edell, Shapiro & Finnan, LLC

(56) **References Cited**

**U.S. PATENT DOCUMENTS**

527,403 A \* 10/1894 Buxton ..... A43C 15/161  
36/134  
1,087,212 A \* 2/1914 Caldwell ..... A43C 15/16  
36/134  
1,743,285 A \* 1/1930 Richardson ..... A43C 13/04  
36/134  
5,058,292 A 10/1991 Tanel  
5,628,129 A \* 5/1997 Kilgore ..... A43C 15/162  
36/134  
D400,081 S \* 10/1998 Ibaragi ..... A43B 5/185  
D8/354  
5,873,184 A 2/1999 Ihlenburg  
D476,467 S \* 7/2003 Takamoto ..... D2/962  
8,215,035 B2 \* 7/2012 Mills ..... A43C 15/162  
36/67 D  
D815,315 S \* 4/2018 Ralph ..... D25/199

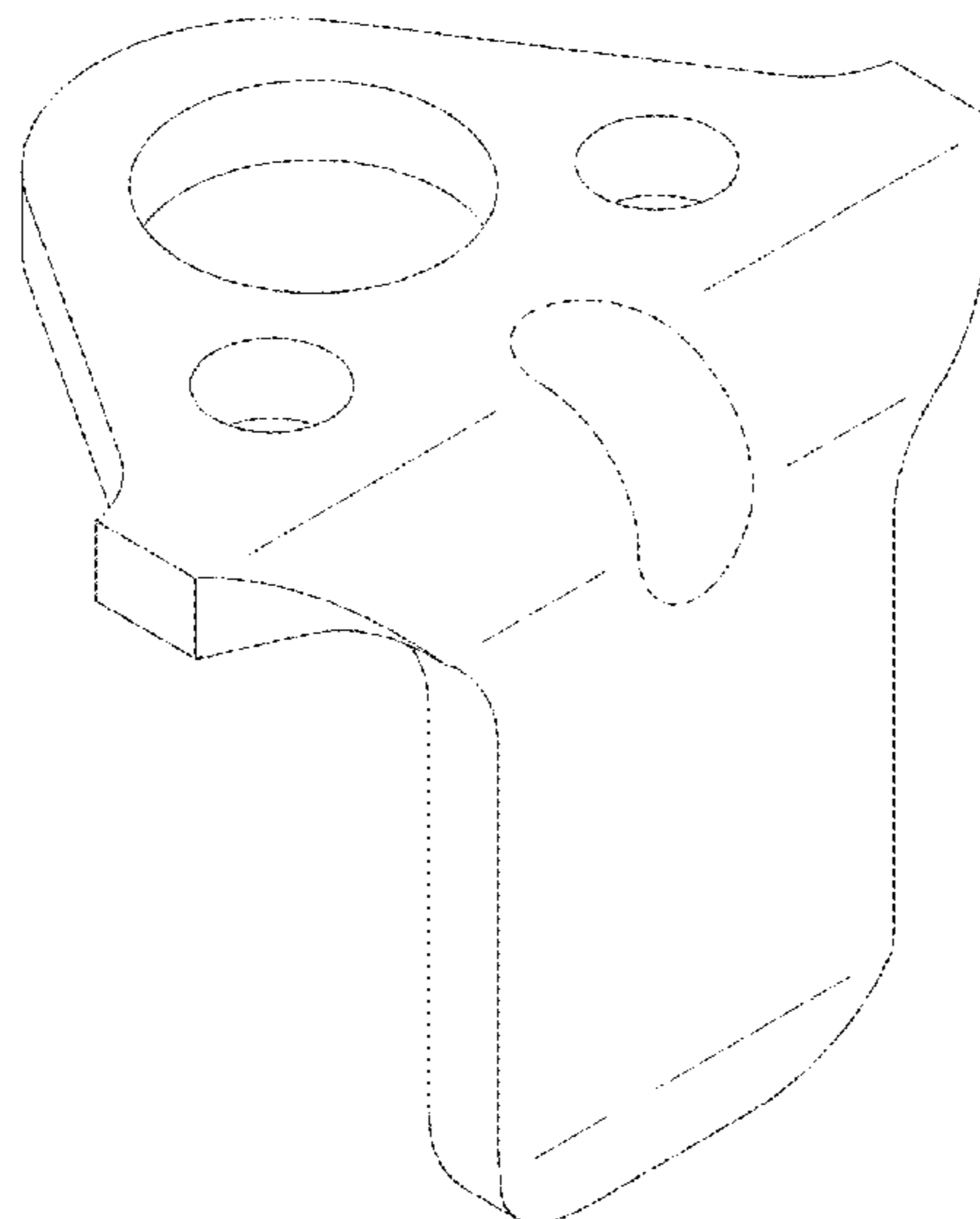
(57) **CLAIM**

The ornamental design for a shoe cleat, as shown and described.

**DESCRIPTION**

FIG. 1 is a front perspective view of a shoe cleat showing my new design;  
FIG. 2 is a rear perspective view thereof;  
FIG. 3 is a front view thereof;  
FIG. 4 is a rear view thereof;  
FIG. 5 is a side view thereof;  
FIG. 6 is another side view thereof;  
FIG. 7 is a top view thereof; and,  
FIG. 8 is a bottom view thereof.  
The broken lines in FIGS. 1, 3 and 7 are for environmental purposes only and form no part of the claimed design.

**1 Claim, 4 Drawing Sheets**



(56)

**References Cited**

U.S. PATENT DOCUMENTS

2012/0279091 A1 11/2012 Baucom et al.  
2014/0345164 A1 11/2014 Campbell et al.  
2015/0040438 A1 2/2015 Baucom et al.  
2018/0125169 A1 5/2018 Hirai  
2021/0345726 A1\* 11/2021 To'oto'o ..... A43B 5/185  
2022/0031020 A1\* 2/2022 Sudo ..... A43B 13/26

\* cited by examiner

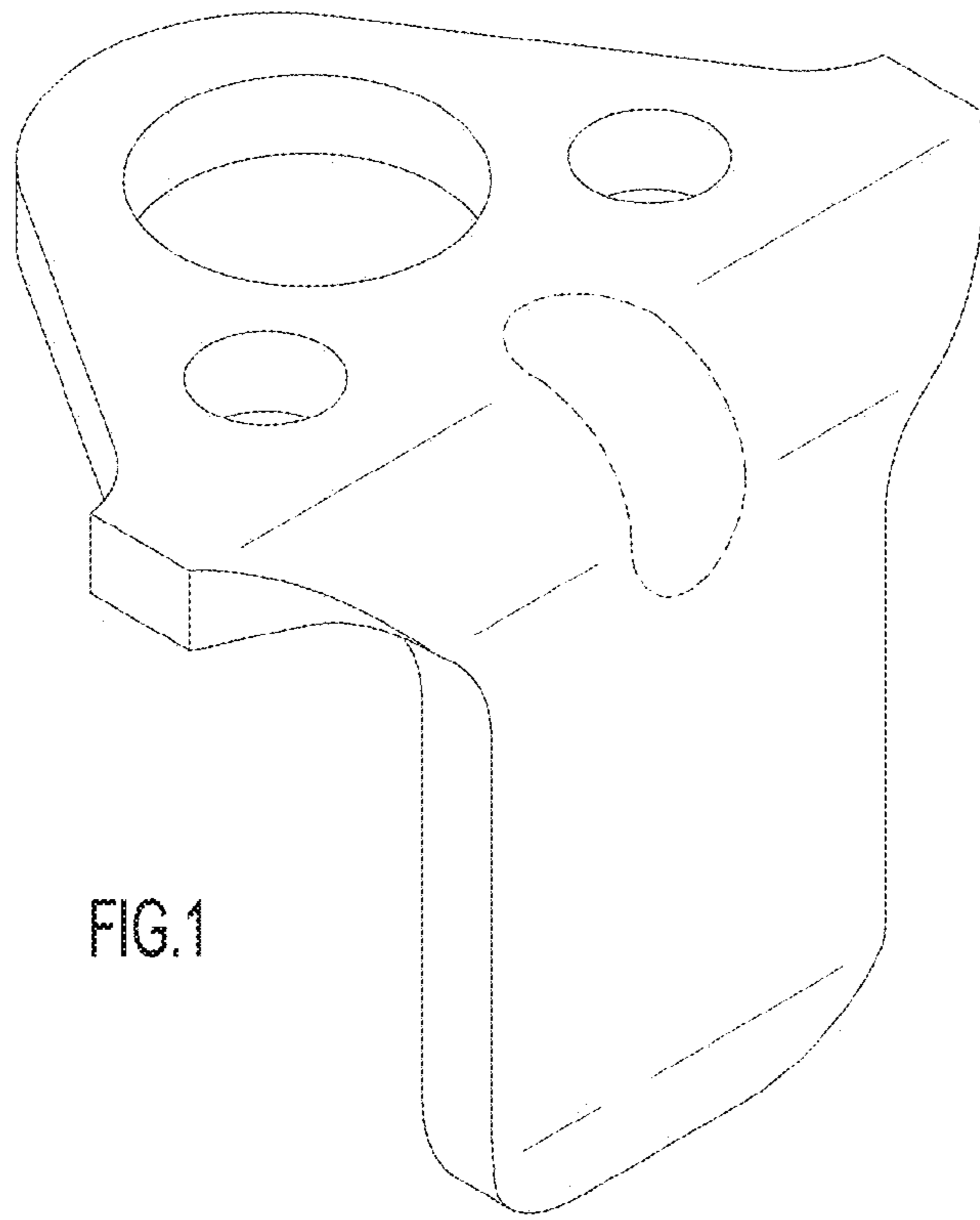


FIG.1

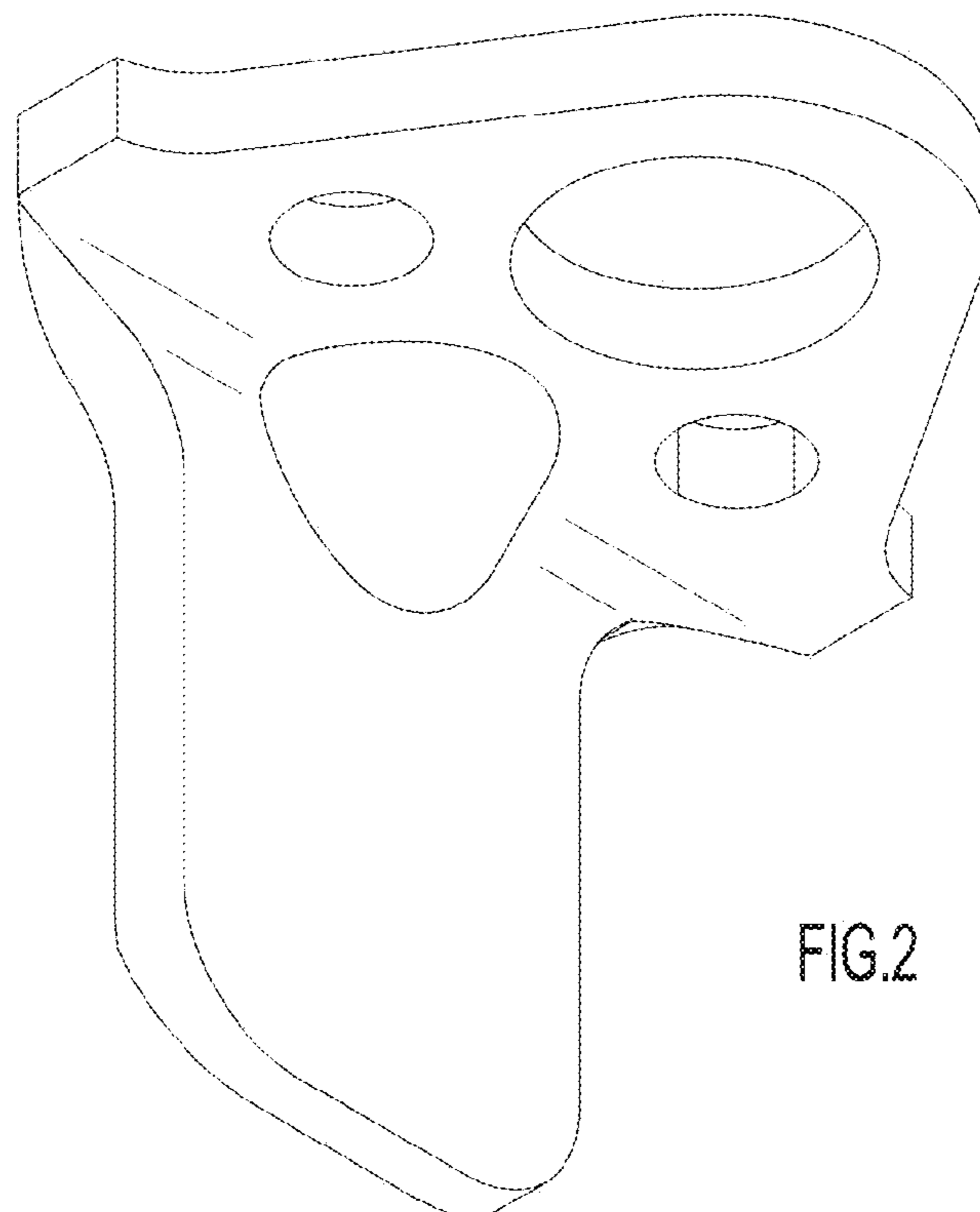


FIG.2

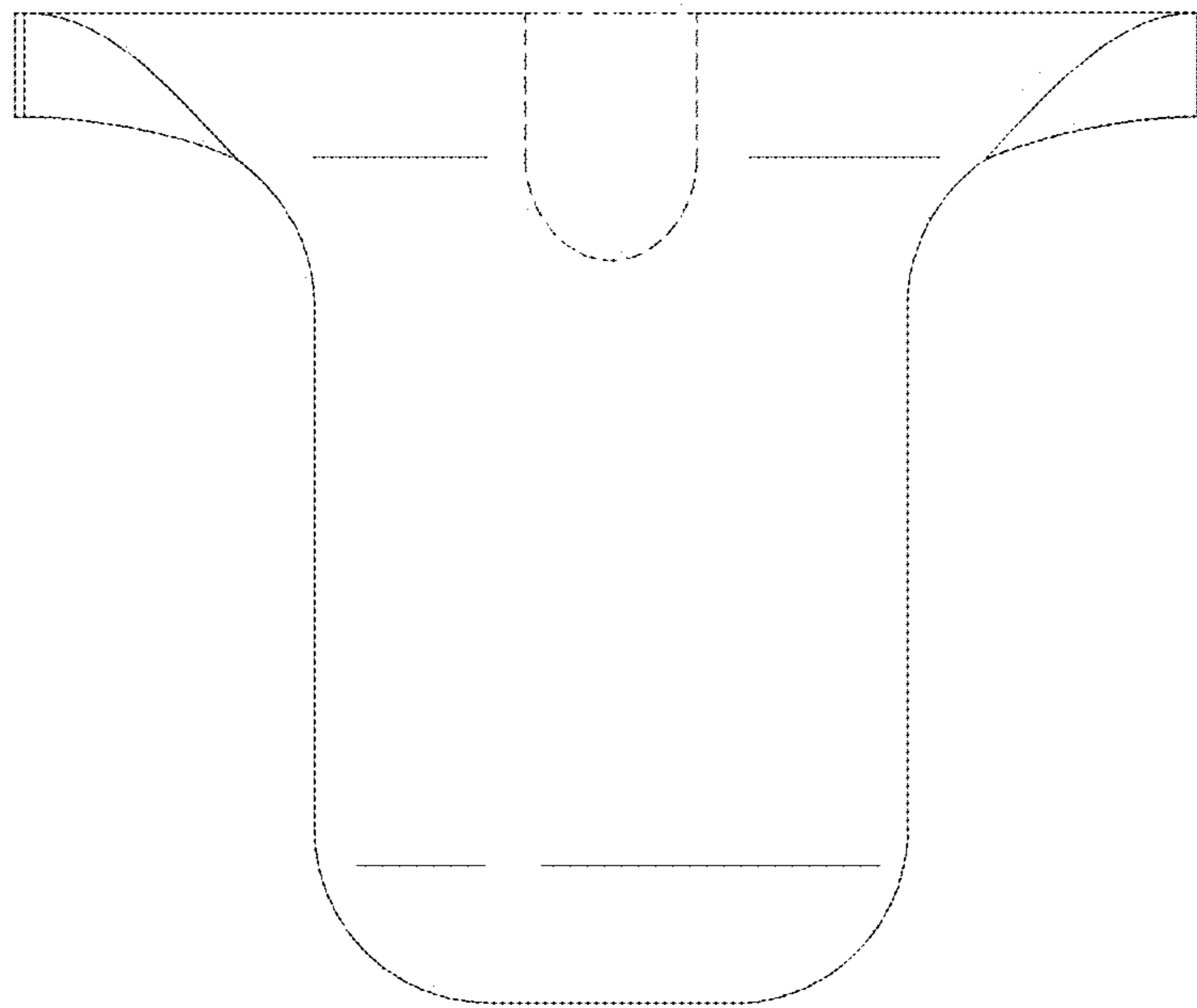


FIG.3

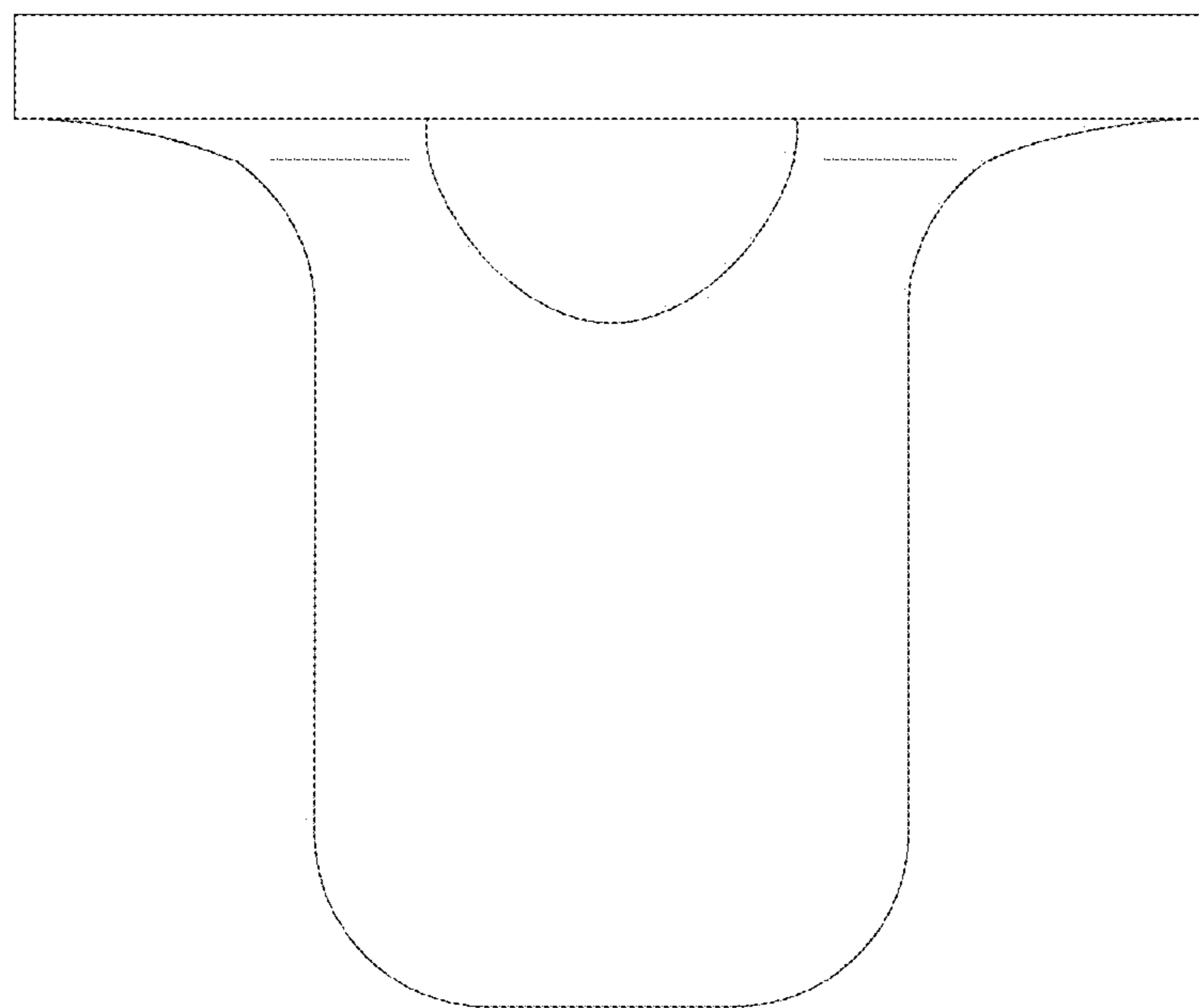
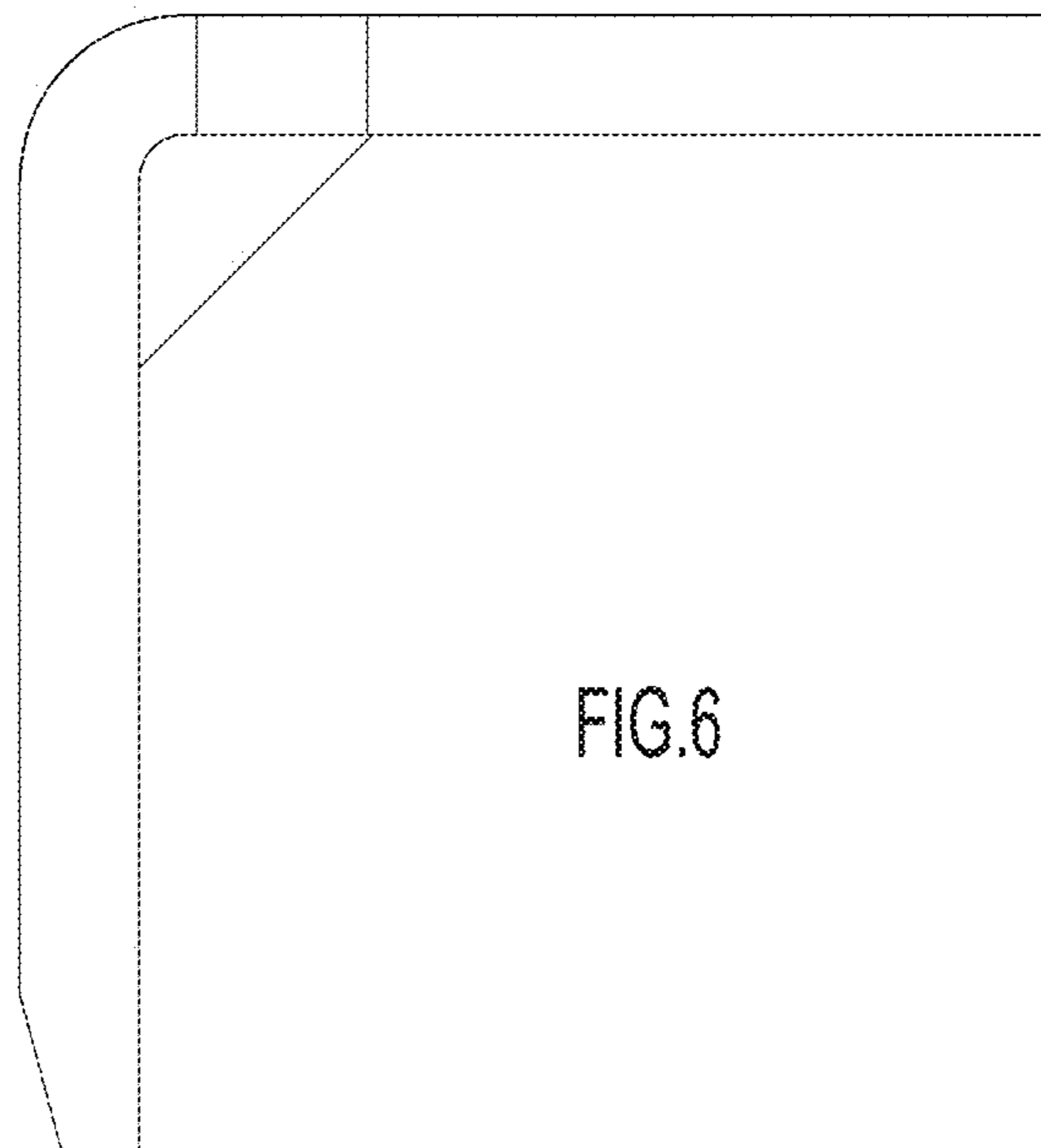
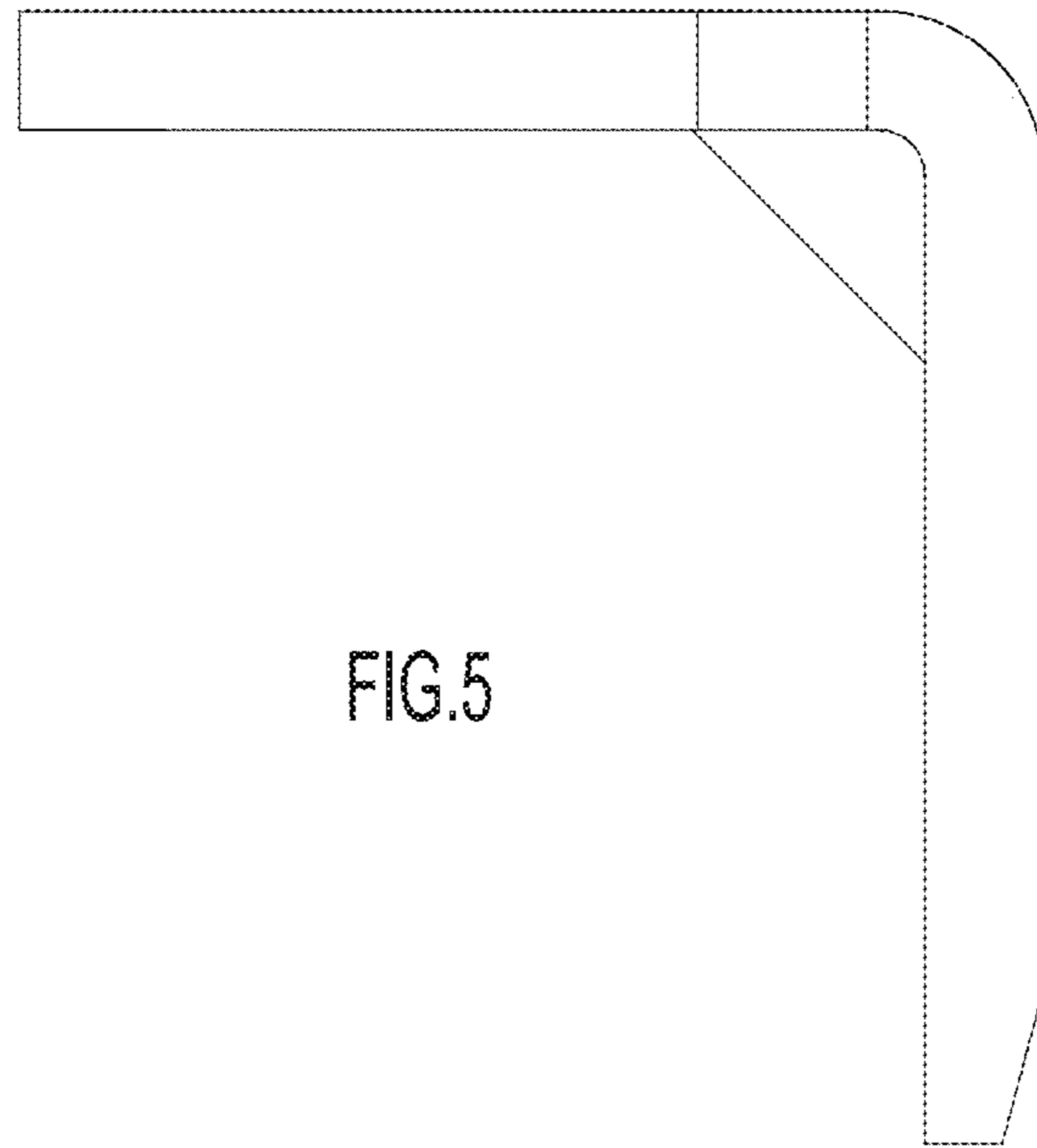


FIG.4



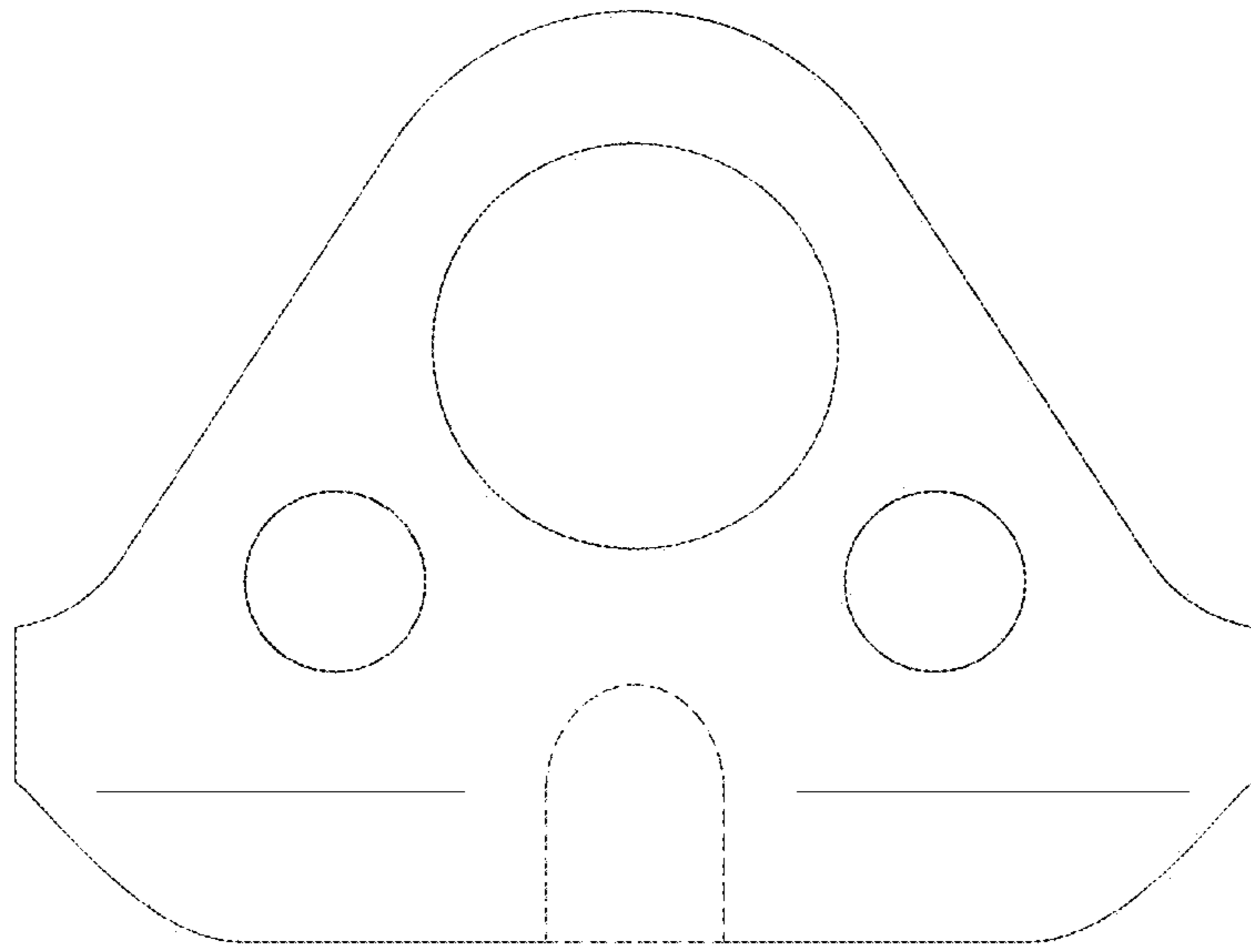


FIG. 7

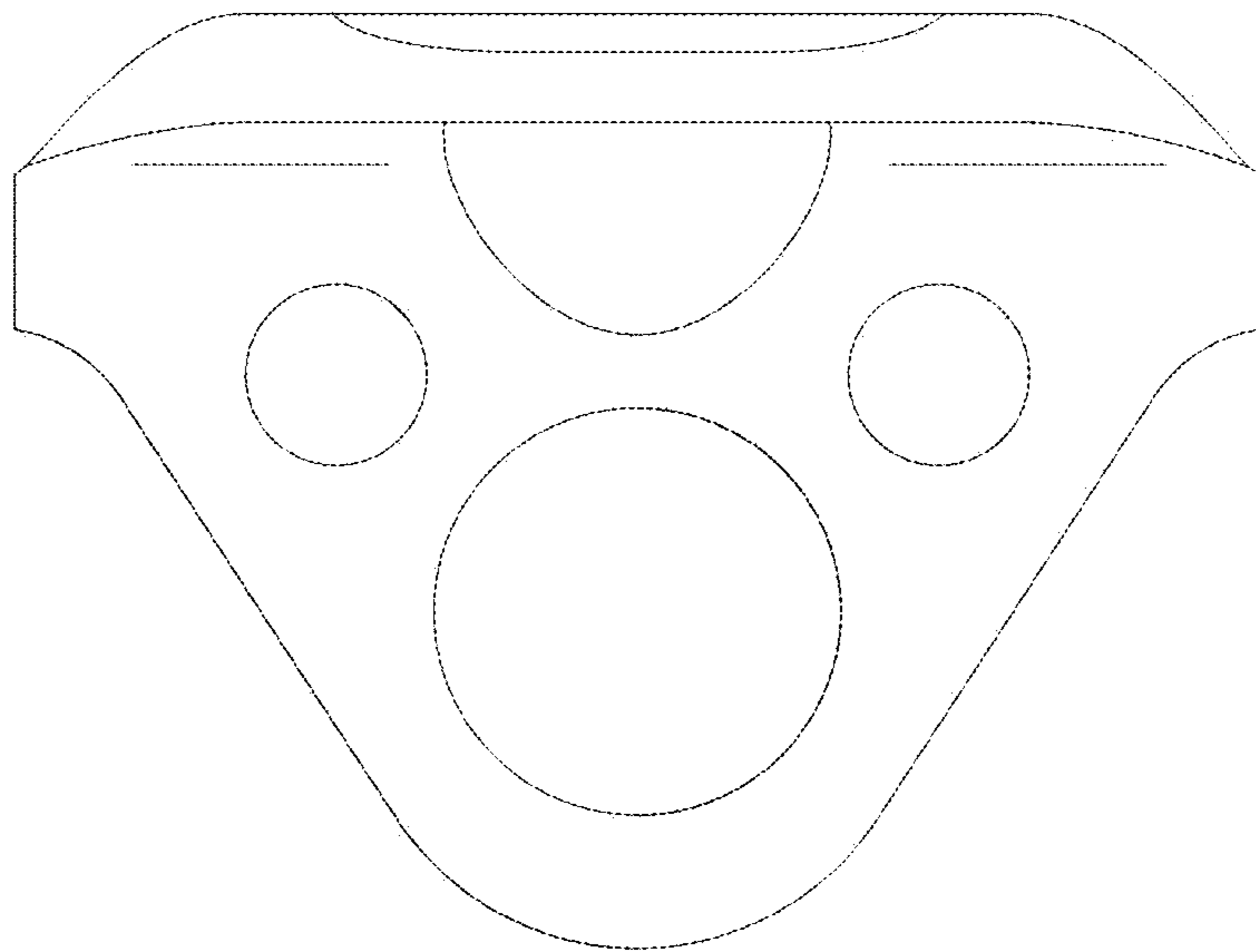


FIG. 8