



US0D1015615S

(12) **United States Design Patent** (10) **Patent No.:** **US D1,015,615 S**
Stephan et al. (45) **Date of Patent:** **** Feb. 20, 2024**

- (54) **LENS TUBE FOR A LIGHT FIXTURE**
- (71) Applicant: **Electronic Theatre Controls, Inc.**,
Middleton, WI (US)
- (72) Inventors: **Joseph Stephan**, Middleton, WI (US);
Zack Zlevor, Middleton, WI (US); **Jon Rasche**, Middleton, WI (US)
- (73) Assignee: **Electronic Theatre Controls, Inc.**,
Middleton, WI (US)
- (**) Term: **15 Years**
- (21) Appl. No.: **29/728,054**
- (22) Filed: **Mar. 16, 2020**
- (51) **LOC (14) Cl.** **26-05**
- (52) **U.S. Cl.**
USPC **D26/74; D26/118**
- (58) **Field of Classification Search**
USPC D26/24, 60, 72, 74, 113, 118, 138;
D16/237, 242, 250
CPC G02B 7/00; G02B 7/003; G02B 7/006;
G02B 7/022; F21W 2131/00; F21W
2131/40; F21W 2131/105; F21W
2131/406; F21W 2131/407
See application file for complete search history.

- (56) **References Cited**
U.S. PATENT DOCUMENTS
- | | | | |
|--------------|--------|------------------|---------|
| D397,490 S * | 8/1998 | Lecluze | D26/118 |
| D487,817 S * | 3/2004 | Benghozi | D26/118 |
| D551,797 S * | 9/2007 | Rashidi | D26/118 |
| D562,490 S * | 2/2008 | Rashidi | D26/118 |
| D575,891 S * | 8/2008 | Calleja | D26/63 |
| D608,491 S * | 1/2010 | Zaderej | D26/118 |
| D610,280 S * | 2/2010 | Hua | D26/74 |
| D610,289 S * | 2/2010 | Yoshinobu | D26/74 |
| D685,520 S * | 7/2013 | O'Driscoll | D26/118 |

D698,069 S *	1/2014	Messisaen	D26/74
D767,194 S *	9/2016	Lee	D26/74
D777,968 S *	1/2017	Redfern	D26/74
D785,227 S *	4/2017	Guzzini	D26/74
D789,586 S *	6/2017	Guzzini	D26/74
D831,873 S *	10/2018	Rybol	D26/74
D838,892 S *	1/2019	Redfern	D26/74
D854,217 S *	7/2019	Coirier	D26/74
D854,726 S *	7/2019	Goetz-Schaefer	D26/74
D956,341 S *	6/2022	Möller	D26/118
D971,480 S *	11/2022	Sheng	D26/74
D979,826 S *	2/2023	Fryzek	D26/118
D991,528 S *	7/2023	Okagaki	D26/74
D992,793 S *	7/2023	Moorthy	D26/74
2019/0234569 A1 *	8/2019	Zhan	F21V 23/008
2020/0049936 A1 *	2/2020	Wei	G02B 7/006
2021/0263257 A1 *	8/2021	Chang	G02B 7/003

* cited by examiner

Primary Examiner — Clint A Samuel
(74) *Attorney, Agent, or Firm* — Michael Best & Friedrich LLP

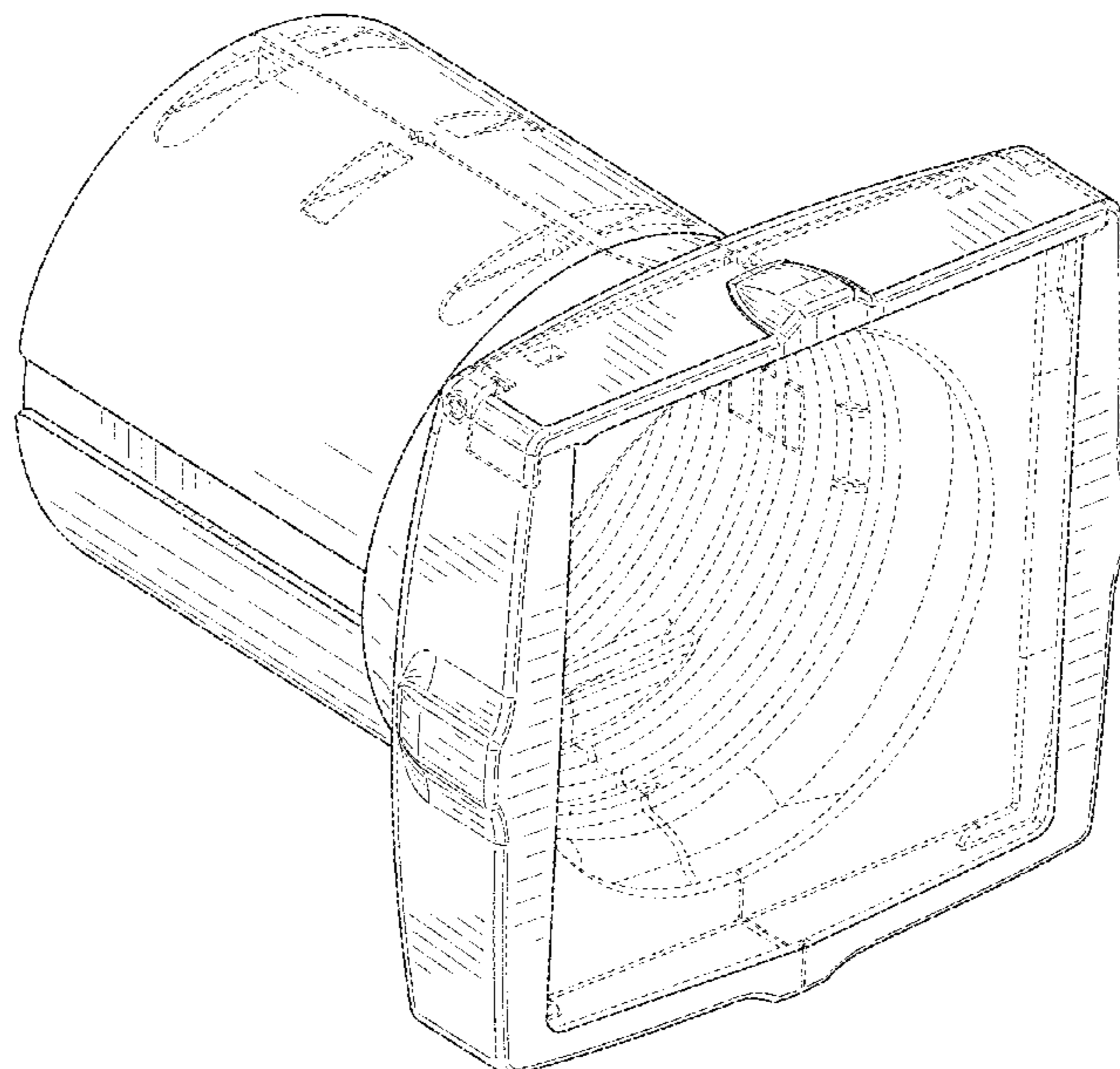
(57) **CLAIM**

We claim the ornamental design for a lens tube for a light fixture, as shown and described.

DESCRIPTION

FIG. 1 is a front perspective view of a lens tube for a light fixture embodying the present invention.
 FIG. 2 is a front view of the design shown in FIG. 1.
 FIG. 3 is a rear view of the design shown in FIG. 1.
 FIG. 4 is a right side view of the design shown in FIG. 1.
 FIG. 5 is a left side view of the design shown in FIG. 1.
 FIG. 6 is a top view of the design shown in FIG. 1.
 FIG. 7 is a bottom view of the design shown in FIG. 1; and,
 FIG. 8 is a rear perspective view of the design shown in FIG. 1.
 1.
 The portions of the light fixture shown in broken lines form no part of the claimed design.

1 Claim, 8 Drawing Sheets



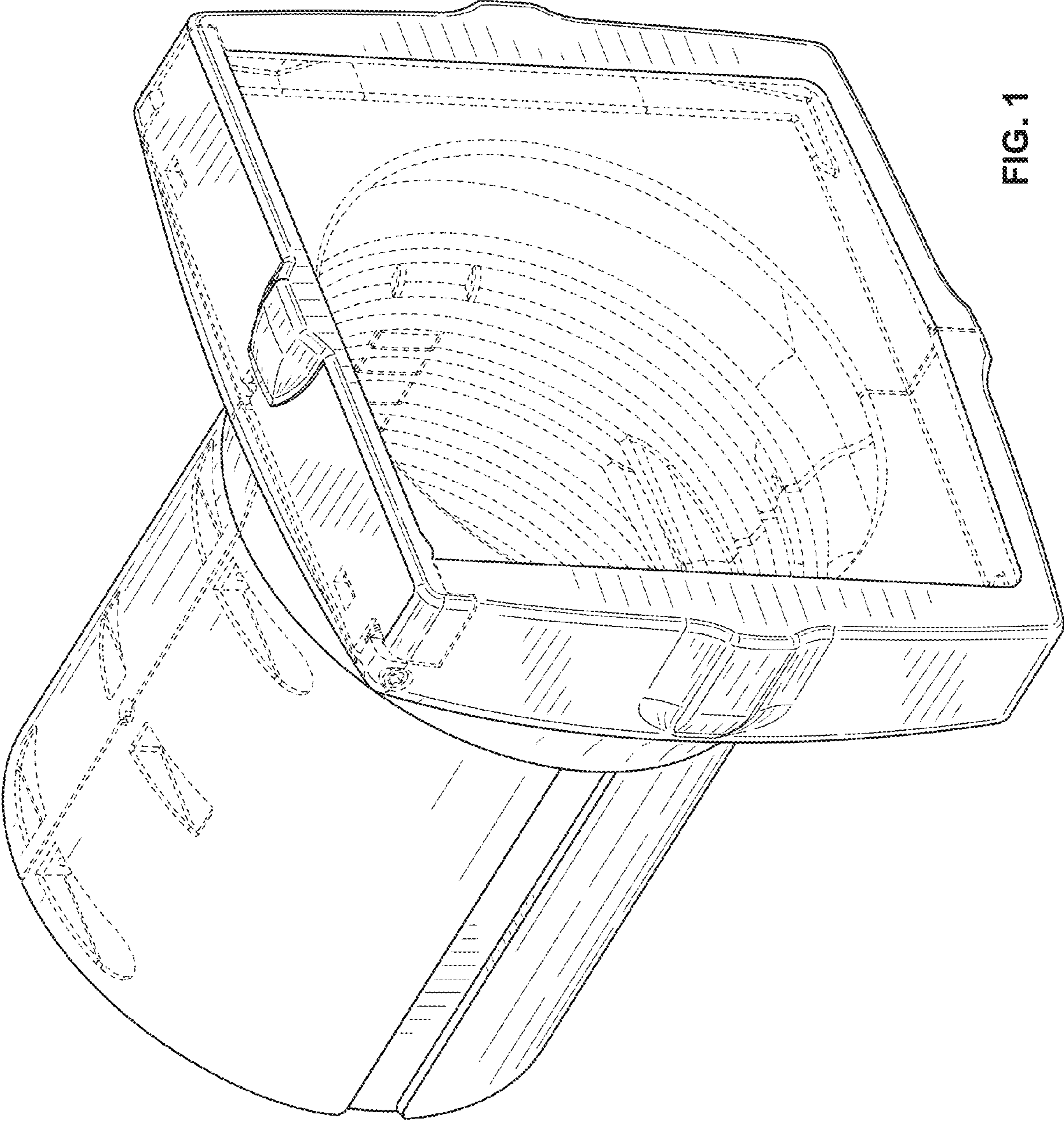


FIG. 1

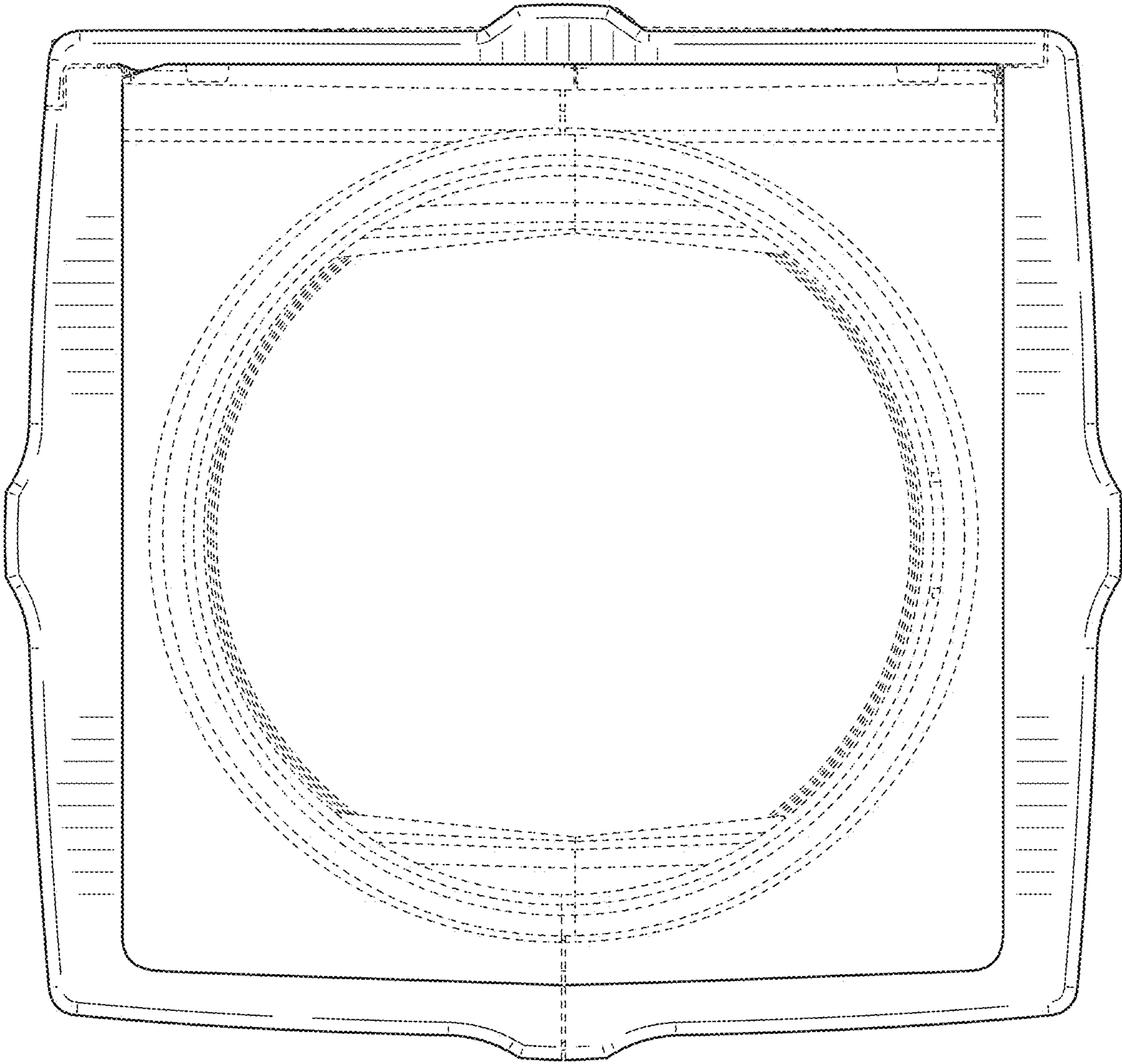


FIG. 2

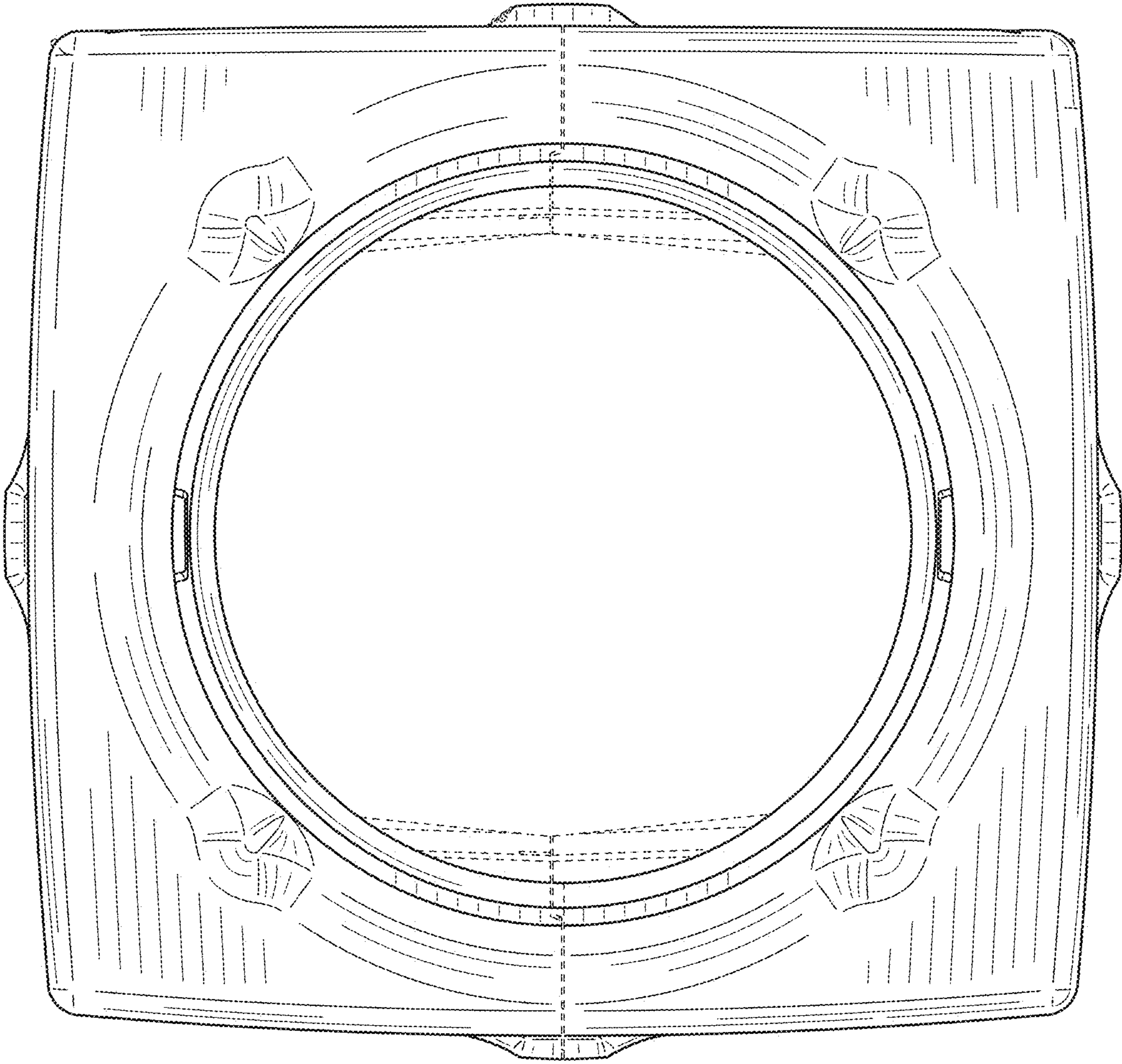


FIG. 3

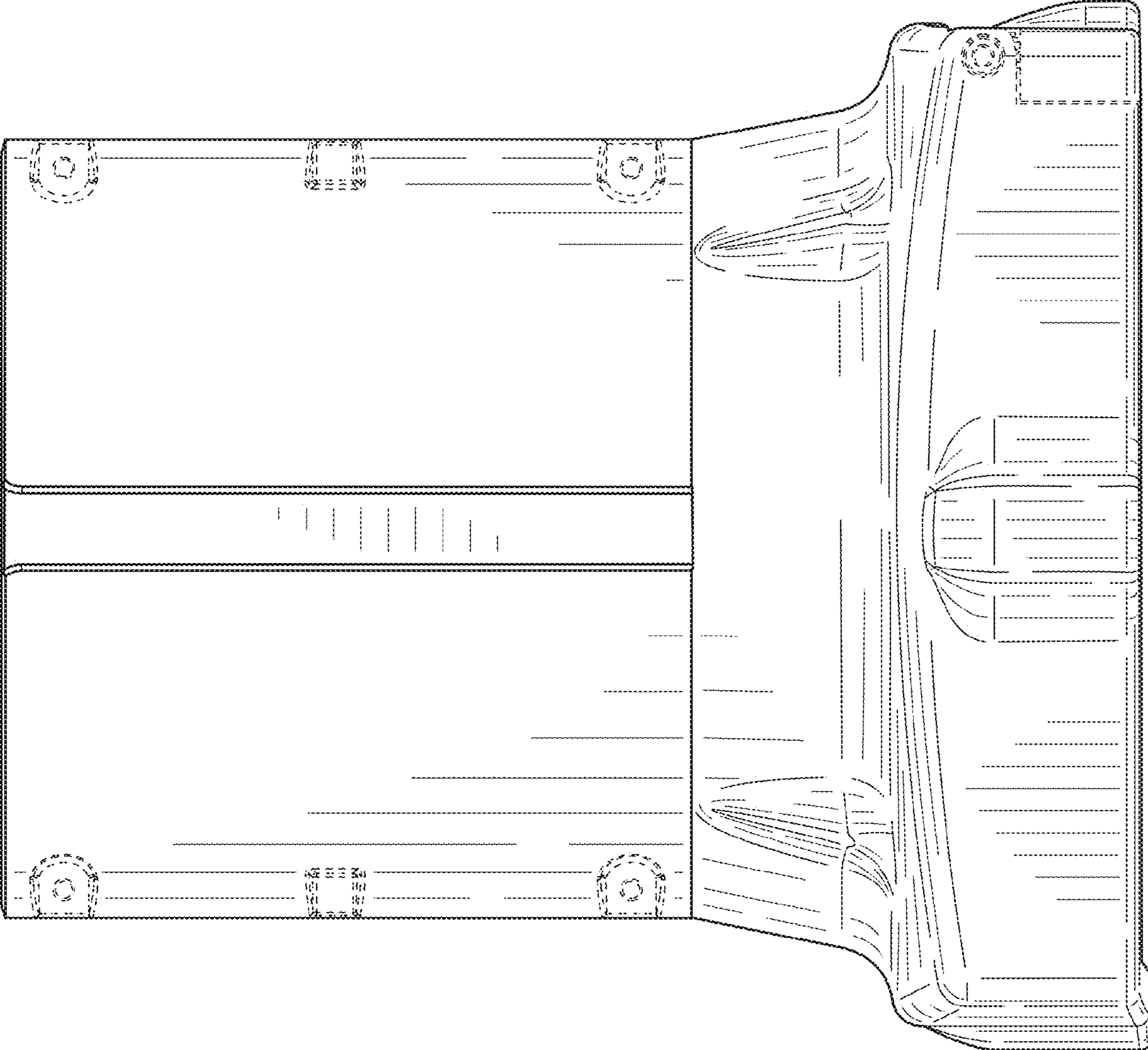


FIG. 4

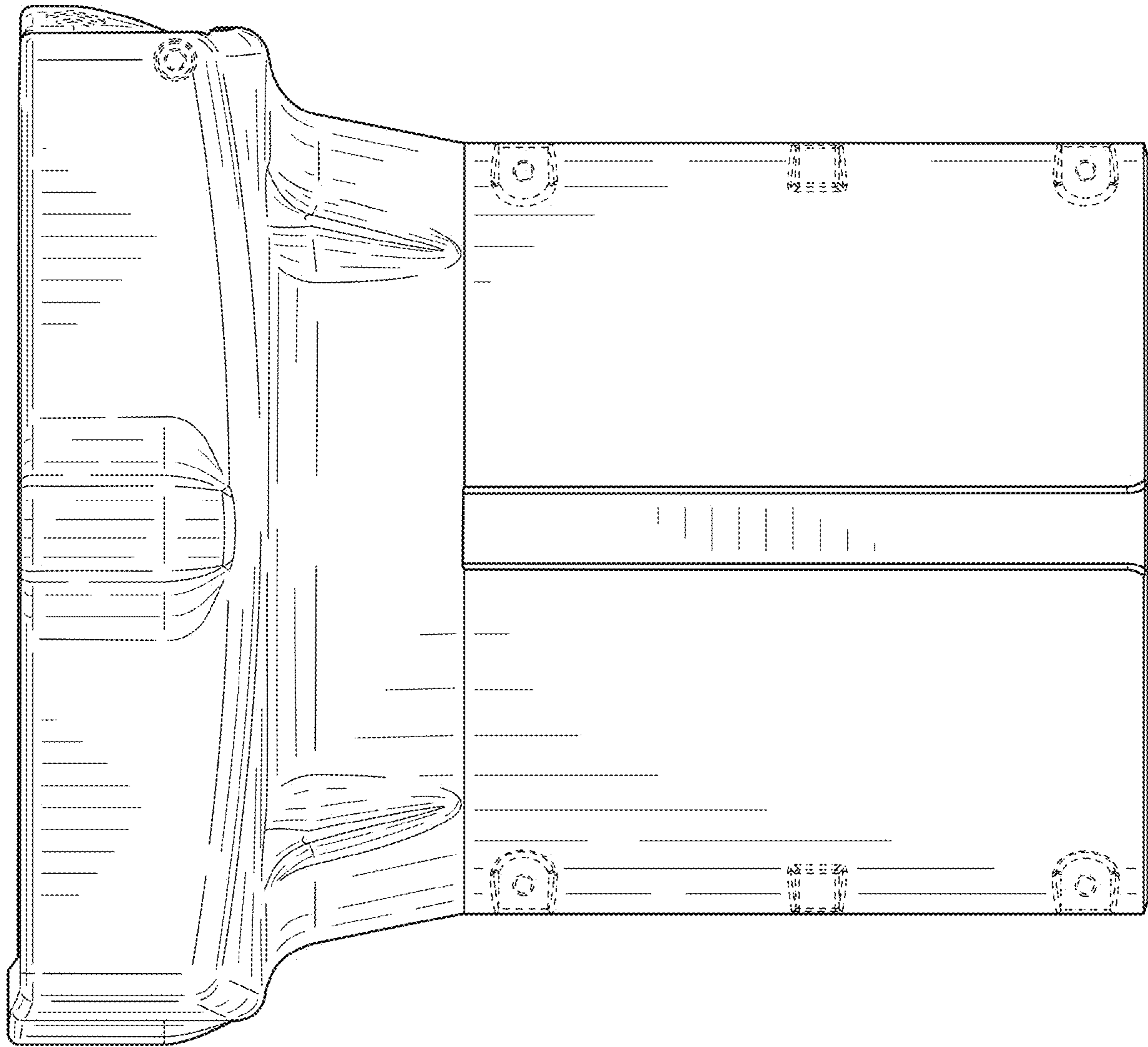


FIG. 5

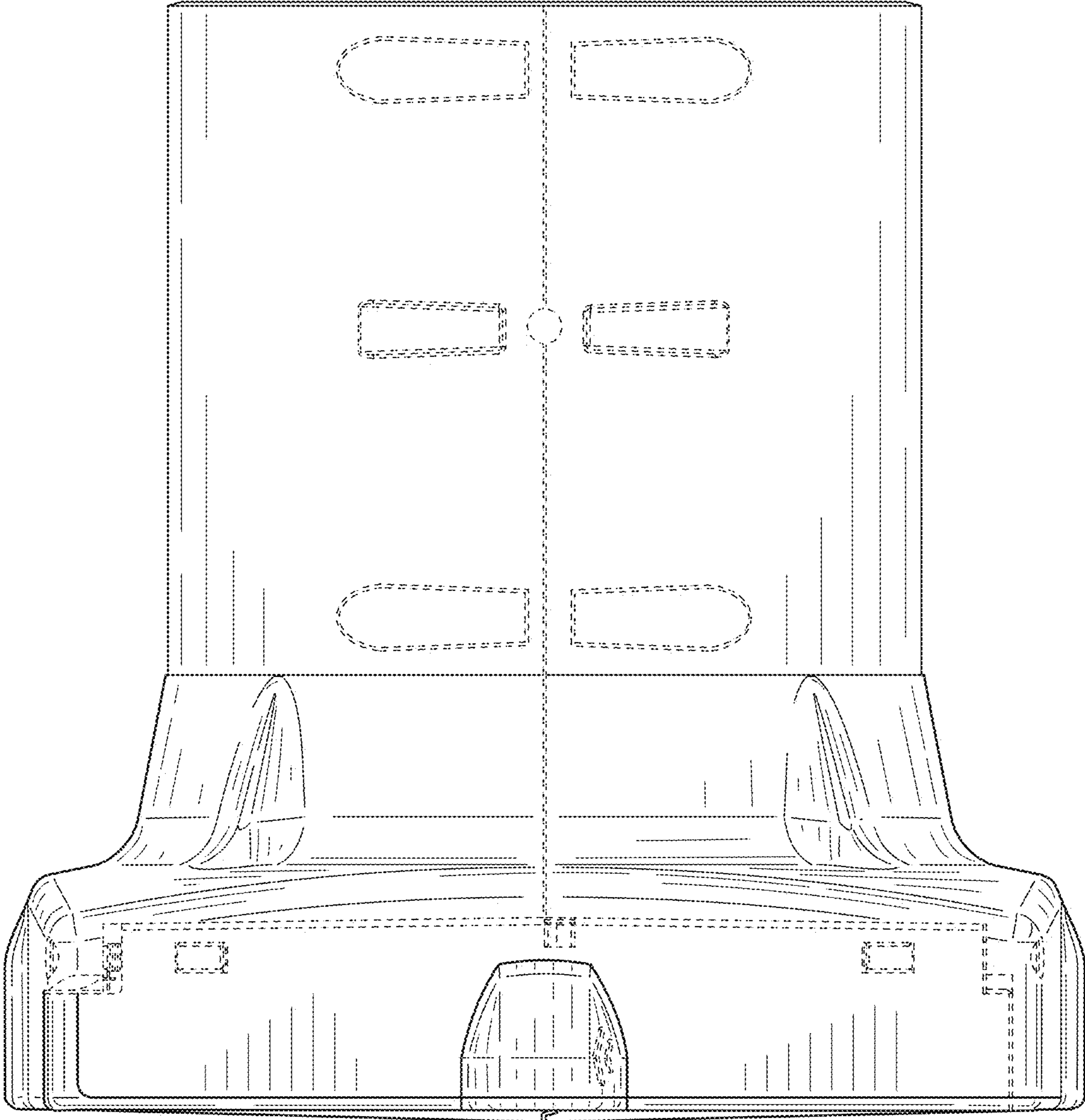


FIG. 6

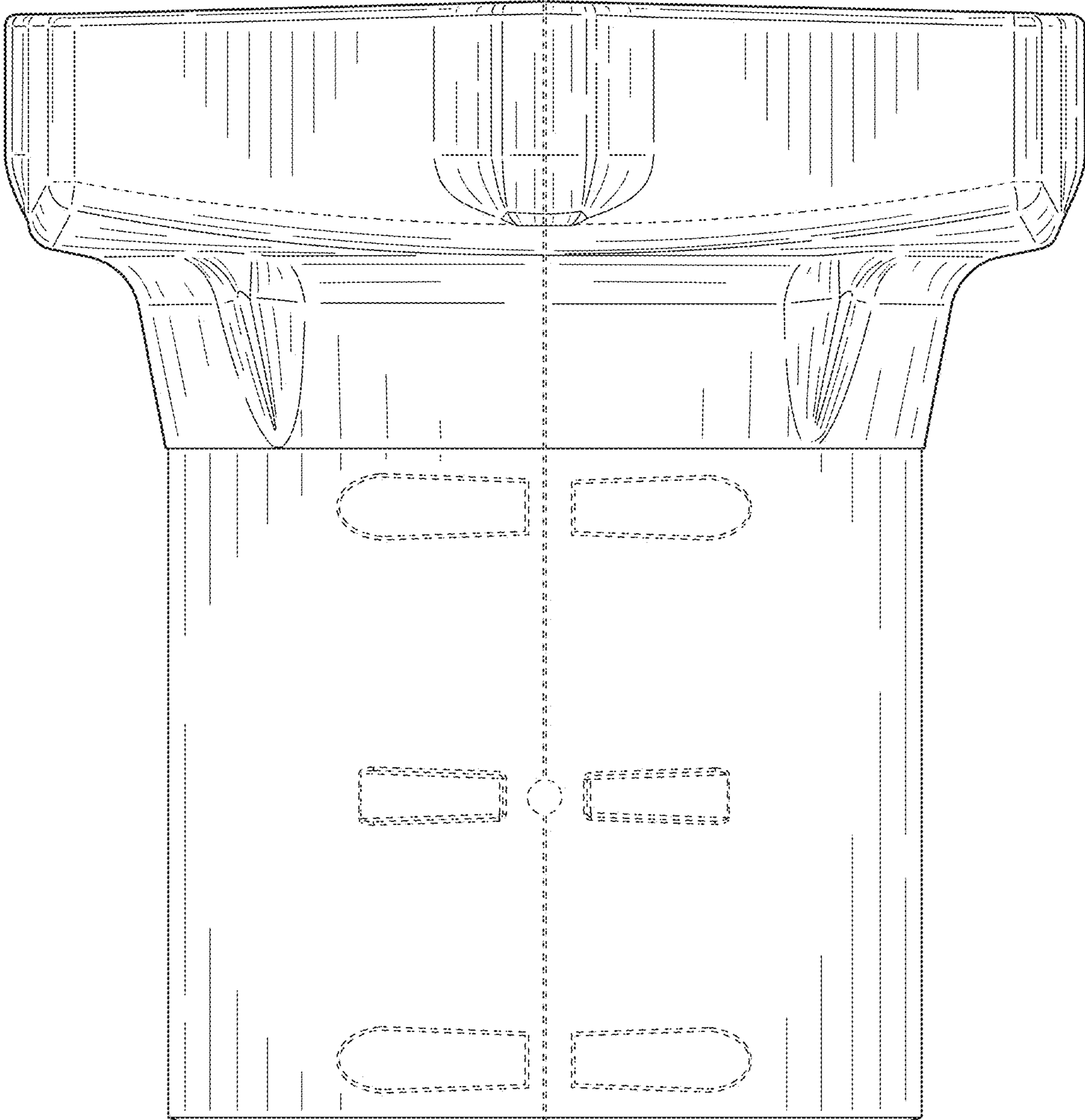


FIG. 7

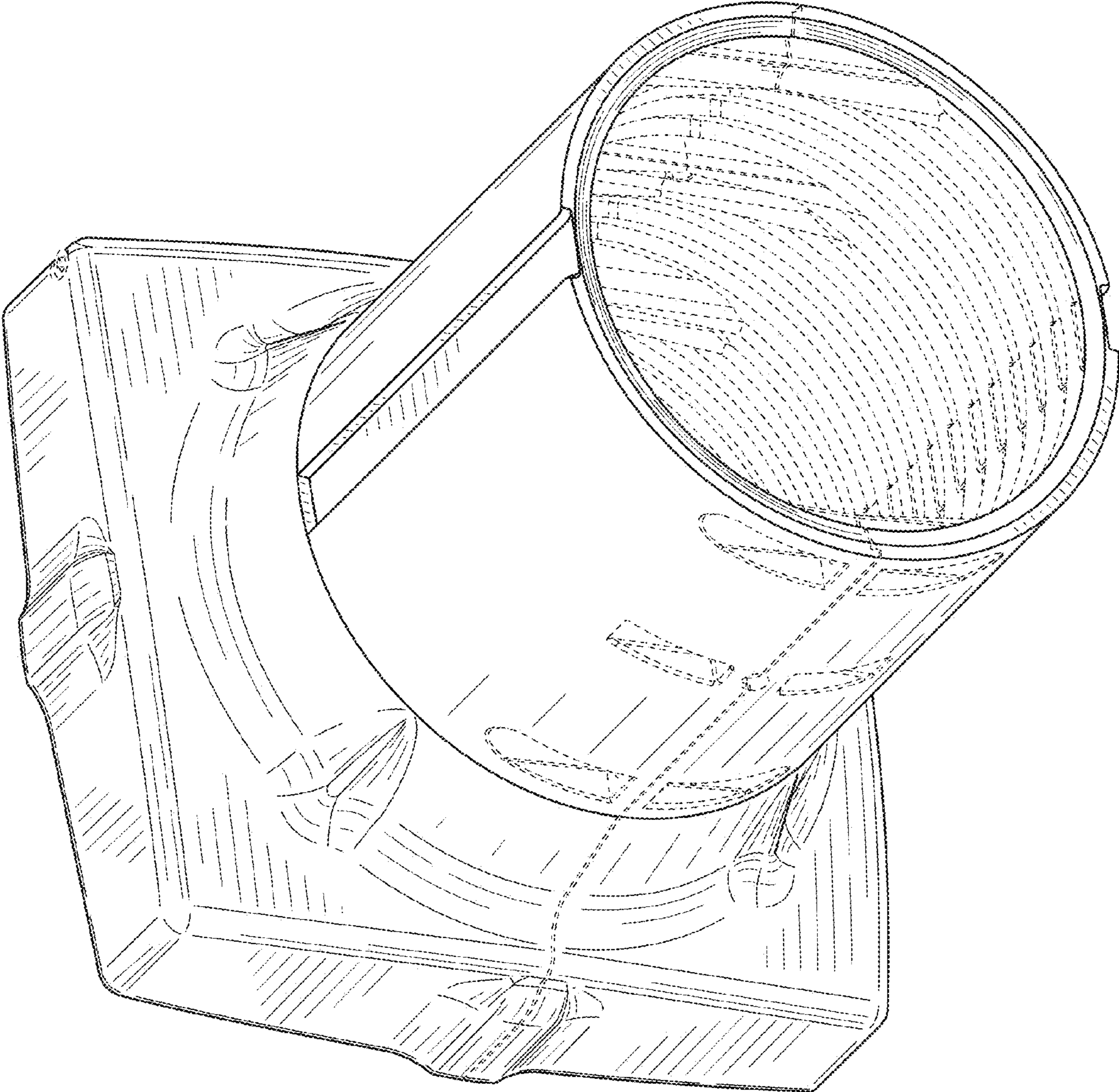


FIG. 8