



US0D1015532S

(12) **United States Design Patent** (10) **Patent No.: US D1,015,532 S**  
**Westphal et al.** (45) **Date of Patent: \*\* Feb. 20, 2024**

(54) **FERTILITY SYRINGE**  
(71) Applicant: **Next Level Bioinformatics LLC**,  
Dixon, IL (US)  
(72) Inventors: **Jennifer Westphal**, Dixon, IL (US);  
**Ryan Westphal**, Dixon, IL (US)  
(73) Assignee: **PherDal**, Dixon, IL (US)  
(\*\*) Term: **15 Years**

9,125,688 B2 9/2015 Fowler  
D746,442 S \* 12/2015 Wollbold ..... D24/112  
D834,182 S 11/2018 Reynolds et al.  
D844,392 S \* 4/2019 Gershkow ..... D7/669  
D890,579 S \* 7/2020 Snopok ..... D7/669  
D913,488 S 3/2021 Ransome et al.  
D924,014 S \* 7/2021 Pu ..... D7/669  
D942,819 S \* 2/2022 Yang ..... D7/669  
D946,361 S \* 3/2022 Yang ..... D7/669

(Continued)

(21) Appl. No.: **29/815,536**  
(22) Filed: **Nov. 15, 2021**  
(51) **LOC (14) Cl.** ..... **24-02**  
(52) **U.S. Cl.**  
USPC ..... **D24/114; D24/130**  
(58) **Field of Classification Search**  
USPC ..... D24/112-114, 130, 133, 146, 231, 232,  
D24/147  
CPC ..... A61M 5/486; A61M 5/178; A61M 3/00;  
A61M 5/20; A61M 5/31; A61M 5/3146;  
A61M 5/3129; A61M 5/3148; A61M  
5/315  
See application file for complete search history.

**OTHER PUBLICATIONS**

2 Packs Lubricant Applicators with Precise Scales and Smooth  
Rounded Tip for Men Women Couples, Lusexy, Amazon.com, [Post  
date: Mar. 28, 2022], [Site seen Apr. 4, 2023], Seen at URL:  
[https://www.amazon.com/Lubricant-Applicators-Launchers-Water-  
Based-Silicone-Based/dp/B09WMNSM7X/ref=sr\\_1\\_8](https://www.amazon.com/Lubricant-Applicators-Launchers-Water-Based-Silicone-Based/dp/B09WMNSM7X/ref=sr_1_8) (Year: 2022).\*

(Continued)

*Primary Examiner* — Natasha Vujcic  
*Assistant Examiner* — Gilbert B Ford

(57) **CLAIM**

We claim, the ornamental design for a fertility syringe, as  
shown and described.

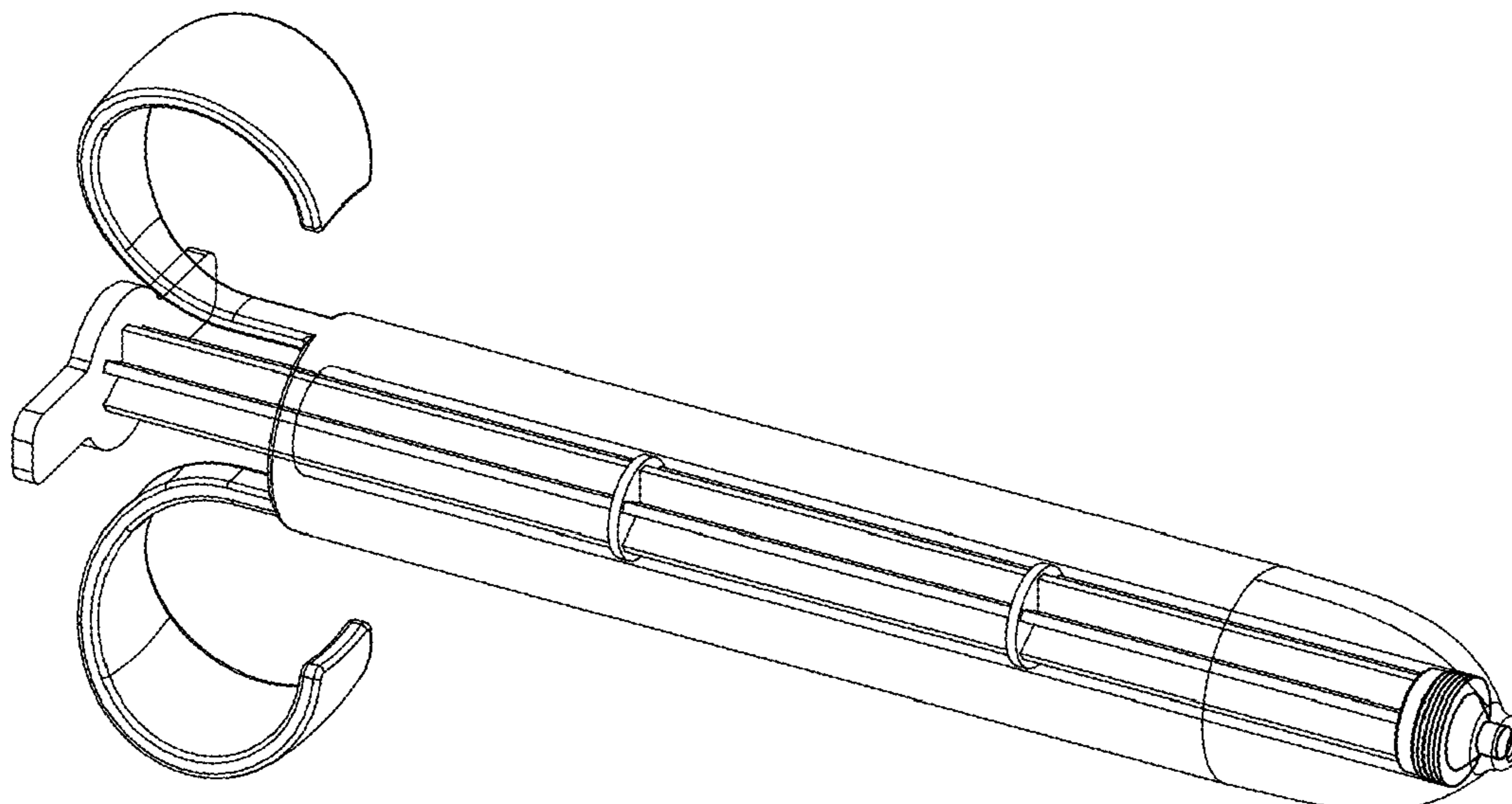
**DESCRIPTION**

FIG. 1 is a bottom perspective view of a fertility syringe  
showing our new design;  
FIG. 2 is a front view, the rear view being a mirror image  
thereof;  
FIG. 3 is a right-side view, the left-side view being a mirror  
image thereof;  
FIG. 4 is a bottom view thereof;  
FIG. 5 is a top view thereof; and,  
FIG. 6 is a top perspective view of an alternative configura-  
tion with the plunger in an extended position.  
The outer tube of the fertility syringe is transparent, thus  
showing the plunger within.

**1 Claim, 5 Drawing Sheets**

(56) **References Cited**  
U.S. PATENT DOCUMENTS

1,589,046 A 6/1926 Harold  
3,672,369 A 6/1972 Brown  
D233,915 S \* 12/1974 Osborn ..... D24/114  
4,925,449 A 5/1990 Saez et al.  
D315,407 S \* 3/1991 Bradrick ..... D24/114  
5,573,542 A \* 11/1996 Stevens ..... A61B 17/12013  
223/102  
5,601,572 A \* 2/1997 Middleman ..... A61B 18/082  
606/139  
D543,625 S \* 5/2007 Numata ..... D24/114  
7,597,683 B2 10/2009 Myhrberg et al.  
D657,867 S 4/2012 Effenberger  
D669,679 S 10/2012 Goldstein



(56)

**References Cited**

## U.S. PATENT DOCUMENTS

D957,897 S \* 7/2022 Javed ..... D7/669  
 11,529,172 B1 \* 12/2022 Westphal ..... A61M 5/002  
 2011/0224482 A1 9/2011 McCarthy  
 2014/0013718 A1 1/2014 Maasarani  
 2018/0140409 A1 5/2018 Jun

## OTHER PUBLICATIONS

HCL Topi-Click PerI™ Vaginal Ointment Dosing Kits H-20094-12742—Medute, [Post date unknown], [Site seen Apr. 4, 2023], Seen at URL: <https://www.medute.com/products/hcl-topi-click-perl-vaginal-ointment-dosing-kits-h-20094-12742> (Year: 2023).\*

Control Syringe, Spectrum medical devices, [ Post date unknown], [Site seen Apr. 4, 2023], Seen at URL: <https://www.exportersindia.com/spectrum-medical-devices/syringes.htm#2841120> (Year: 2023).\*

PherDal kit, Next Level Bioinformatics, pherdal.com, [Post date: Nov. 15, 2022], [Site seen Apr. 4, 2023], Seen at URL: <https://www.pherdal.com/post/what-to-know-about-the-syringe-for-home-insemination> (Year: 2022).\*

Office action dated U.S. Appl. No. 17/526,705 that was dated Apr. 20, 2022.

Mosie Baby Kit website downloaded Apr. 19, 2022.

Mosie Baby Ovulation Kit website downloaded Apr. 19, 2022.

Gurevich, R. What is Intrauterine Insemination, published Nov. 11, 2020 on website VeryWellFamily.

Kop, P. A., Mochtar, M. H., et al. (2018). “Intrauterine insemination versus intracervical insemination in donor sperm treatment.” The Cochrane database of systematic reviews, 1(1), CD000317.

Kop, PAL, et al. (2015) “Intrauterine insemination or intracervical insemination with cryopreserved donor sperm in the natural cycle: a cohort study”, Human Reproduction, 30(3).

Xu et al., (2020) “Fertility factors affect the vaginal microbiome in women of reproductive age” American J of Reproductive Immunology, 83(4).

Mosie Baby ICU collection kits, website downloaded on Oct. 17, 2022.

[https://mosiebaby.com/pages/home?gclid=EAlalQobChMIhO6kgP\\_R8wIVrG1vBB2ePg4AEAAAYASAAEgleKPD\\_BWE](https://mosiebaby.com/pages/home?gclid=EAlalQobChMIhO6kgP_R8wIVrG1vBB2ePg4AEAAAYASAAEgleKPD_BWE).

Garcia-Velasco, J, et al. (2020) “The reproductive microbiome-clinical practice recommendations for fertility specialists”, RBMO, 41(3): 443-453.

Garcia-Velasco, J, et al. (2017) “What fertility specialists should know about the vaginal microbiome: a review”, RBM online, p. 103-112.

Gupta, S, et al. (2019) “Crosstalk between Vaginal Microbiome and Female Health: A review”, Microbial Pathogenesis, 136(103696): 1-10.

Utility U.S. Appl. No. 17/526,705 by Westphal et al., filed Nov. 15, 2021, entitled: “Fertility Kits With Syringes and Collection Jars, and Method of Use”.

\* cited by examiner

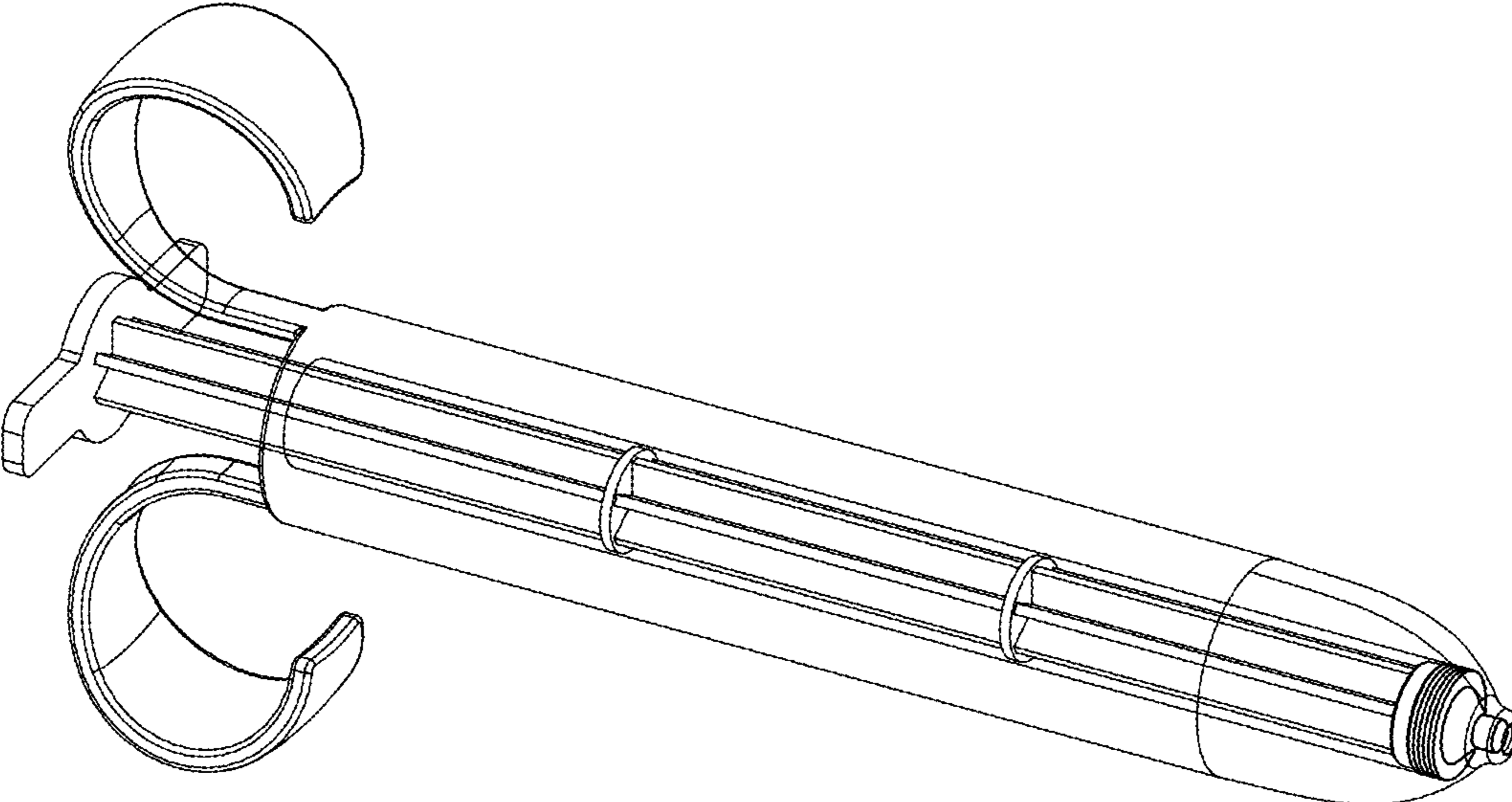


FIG. 1

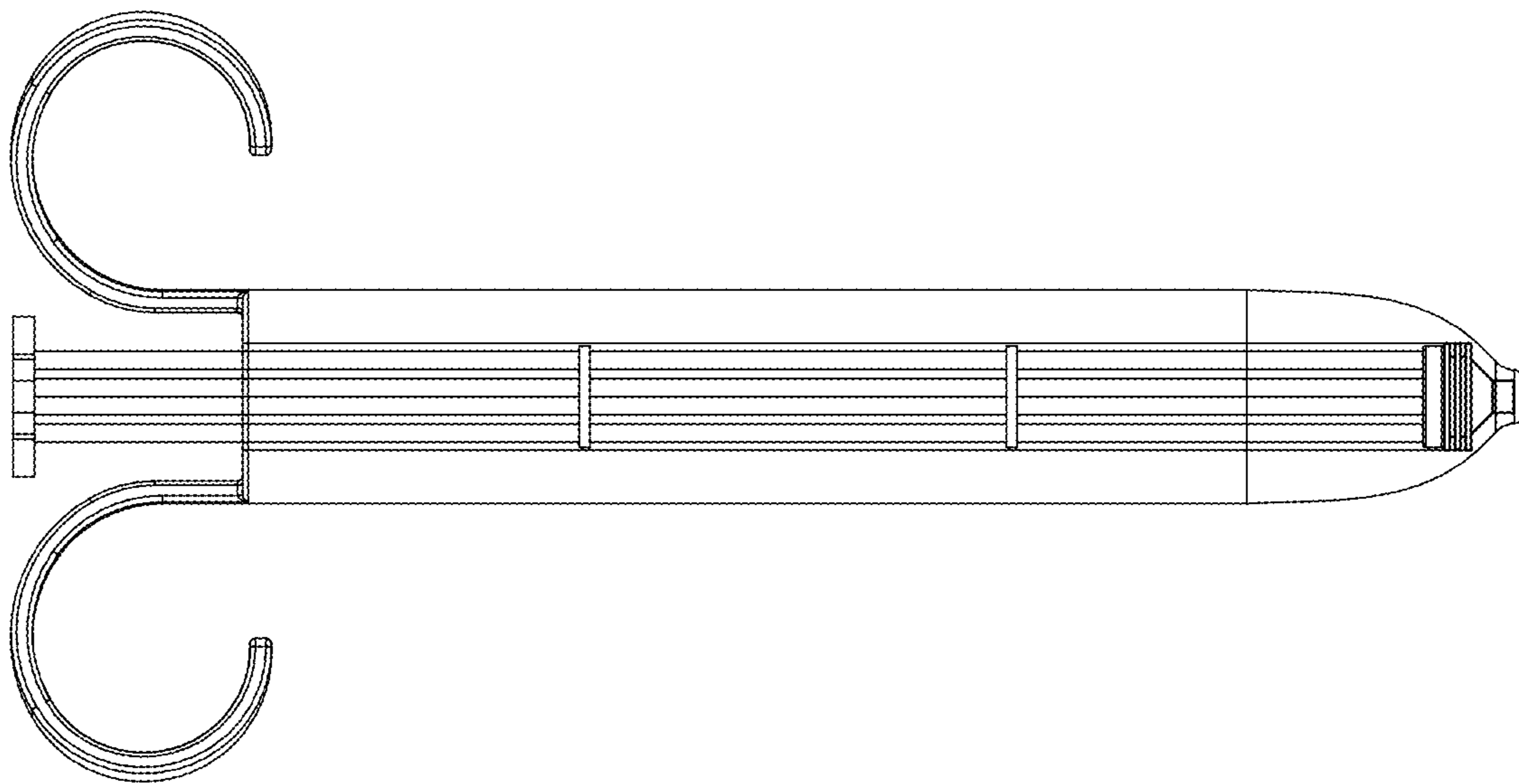


FIG. 2

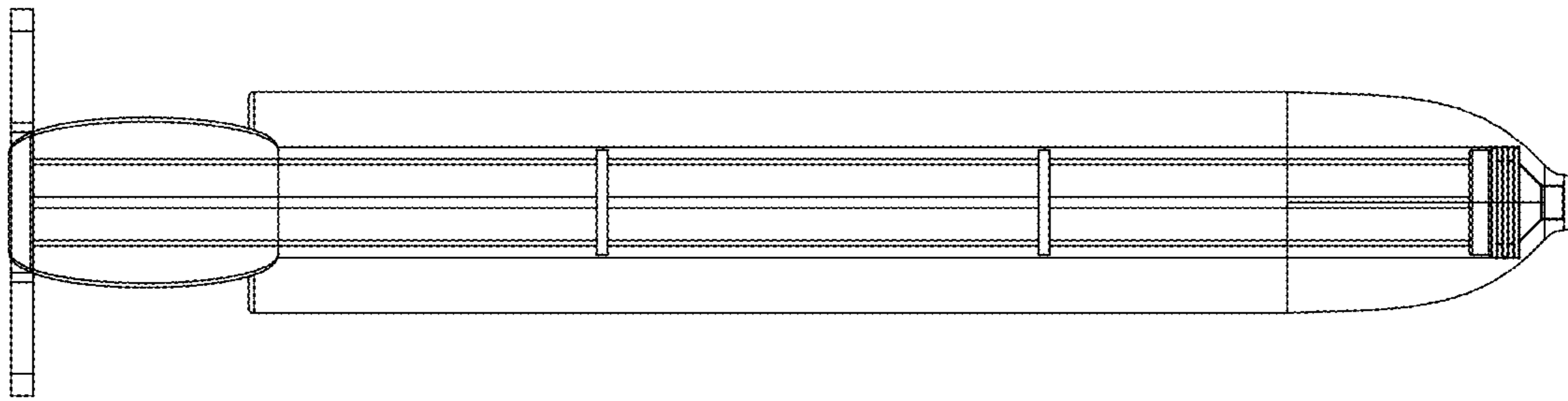


FIG. 3

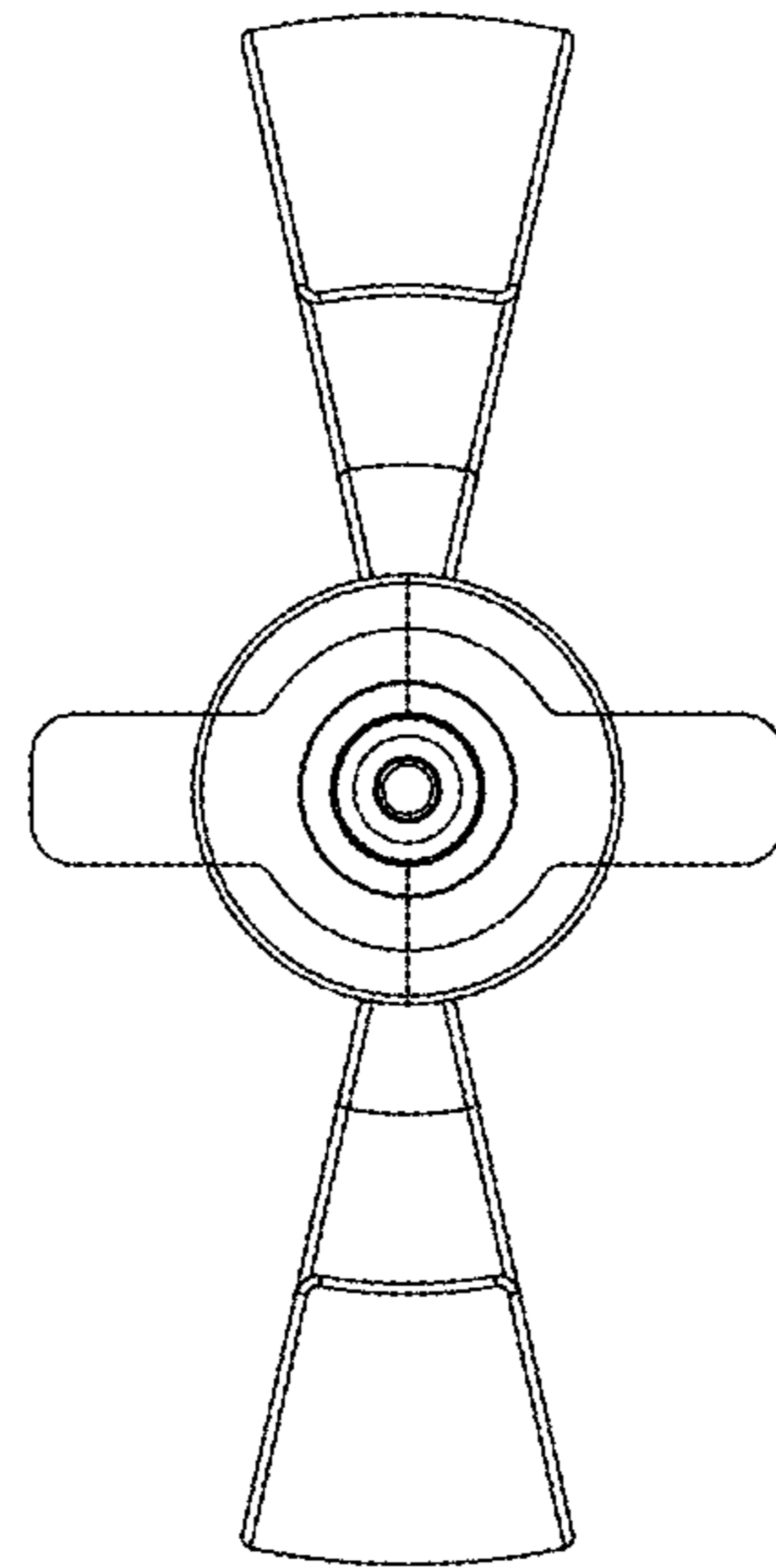


FIG. 4

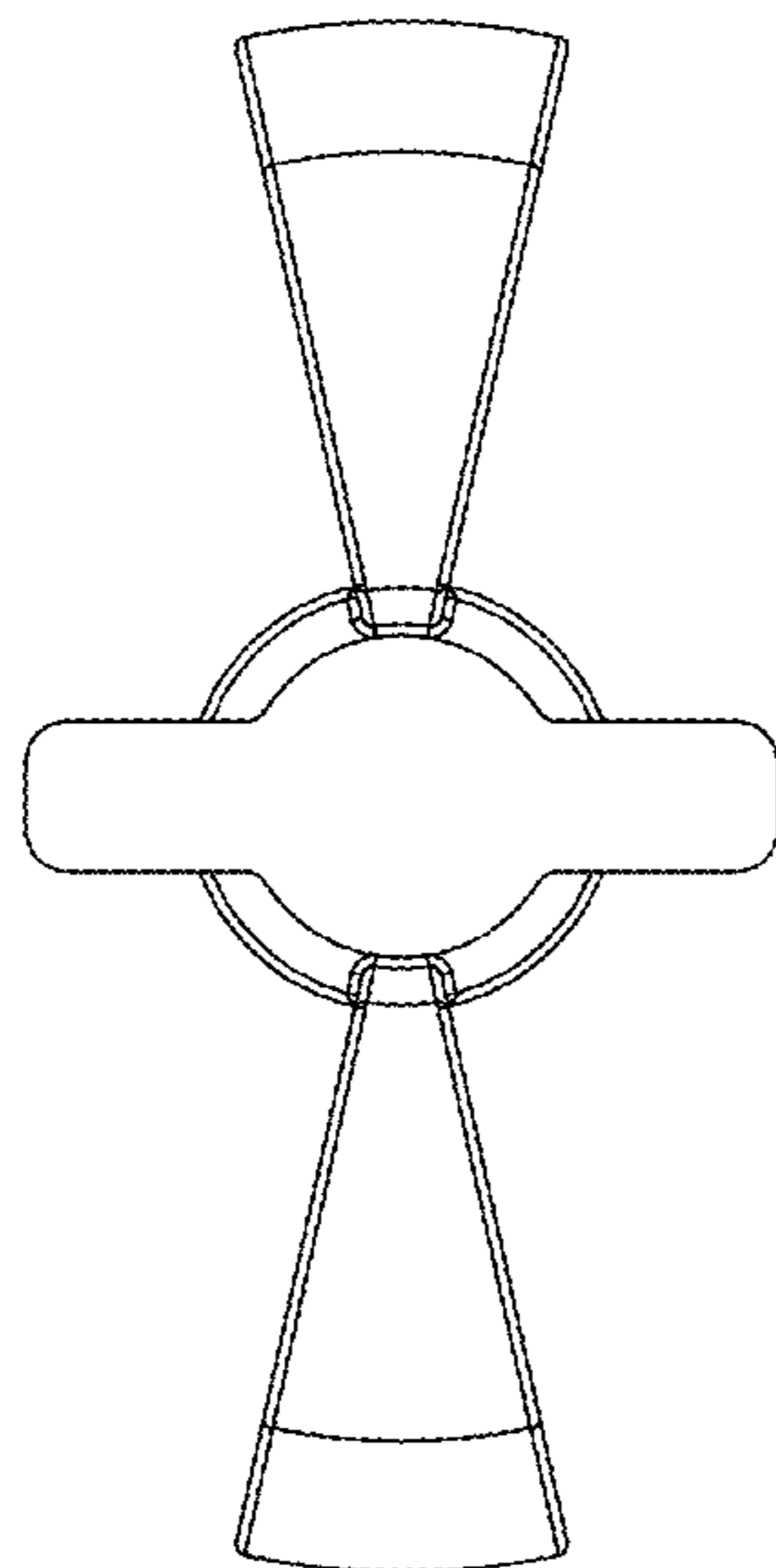


FIG. 5

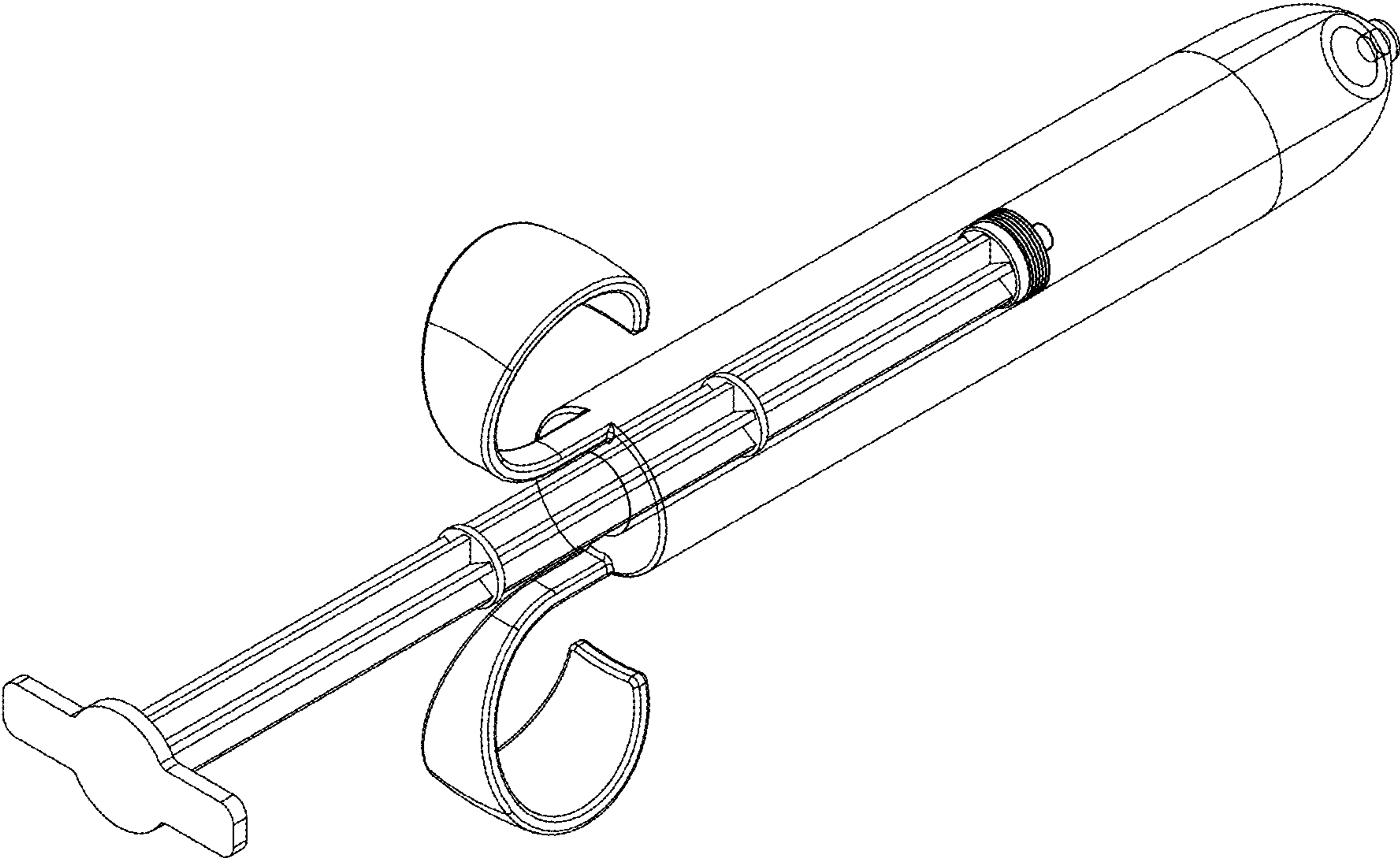


FIG. 6