



US0D1015519S

(12) **United States Design Patent** (10) **Patent No.:** **US D1,015,519 S**
Robinson (45) **Date of Patent:** **** Feb. 20, 2024**

- (54) **CEILING FAN**
- (71) Applicant: **Beacon Lighting International Limited**, Hong Kong (HK)
- (72) Inventor: **Glen Stewart Robinson**, Mulgrave (AU)
- (73) Assignee: **BEACON LIGHTING INTERNATIONAL LIMITED**, Central (HK)
- (**) Term: **15 Years**
- (21) Appl. No.: **29/835,943**
- (22) Filed: **Apr. 22, 2022**
- (51) **LOC (14) Cl.** **23-04**
- (52) **U.S. Cl.**
USPC **D23/377**
- (58) **Field of Classification Search**
USPC D23/370, 377, 379, 385, 411, 413
CPC F04D 25/088; F04D 29/38; F04D 29/384;
F04D 29/386; F21V 33/0096
See application file for complete search history.

(56) **References Cited**

U.S. PATENT DOCUMENTS

D384,737 S	10/1997	Gee, II	
D397,416 S	8/1998	Lee	
D428,983 S	8/2000	Lee	
D466,206 S	11/2002	Gajewski	
D535,011 S *	1/2007	Gajewski	D23/379
D535,387 S *	1/2007	Gajewski	D23/413
D535,388 S	1/2007	Gajewski	
D536,083 S *	1/2007	Gajewski	D23/379
D555,782 S	11/2007	Parker et al.	
D576,265 S	9/2008	Bucher et al.	
D590,489 S	4/2009	Bucher et al.	
D596,734 S	7/2009	Kihara	
D627,051 S	11/2010	Pan	
D671,203 S	11/2012	Wang	
D715,421 S *	10/2014	Schulzman	D23/413

D721,429 S	1/2015	Busta	
D721,430 S *	1/2015	Schulzman	D23/413
D750,213 S *	2/2016	Schulzman	D23/385
D774,176 S	12/2016	Wang	
D780,902 S *	3/2017	Gajewski	D23/377
D796,660 S	9/2017	Schulzman	

(Continued)

FOREIGN PATENT DOCUMENTS

CN	200930342746	*	8/2010
EM	008933162		5/2022

OTHER PUBLICATIONS

Casa Fan Eco Revolution BN-MNS. Catalogue [Online]. b2b.ventilator.de 2023. [Retrieved on Aug. 22, 2023]. Retrieved: <URL:https://b2b.ventilator.de/en/ceiling-fans/casafan/eco-revolution/313622-eco-revolution-bn-mns> (Year: 2023).*

(Continued)

Primary Examiner — Janice Hallmark
Assistant Examiner — Adedoyin Taiwo Odeyale
 (74) *Attorney, Agent, or Firm* — Hickman Becker Bingham Ledesma LLP

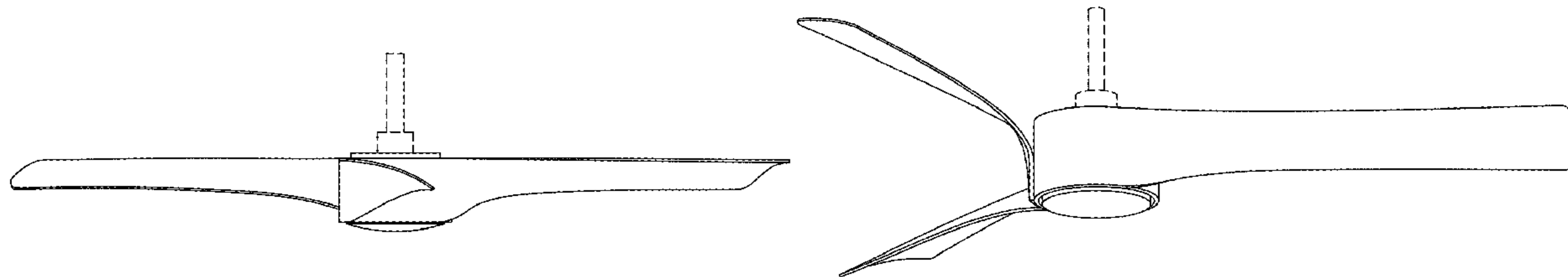
(57) **CLAIM**

The ornamental design for a ceiling fan, as shown and described.

DESCRIPTION

FIG. 1 is a bottom view of a ceiling fan;
 FIG. 2 is a rear view of the ceiling fan;
 FIG. 3 is a right side view of the ceiling fan;
 FIG. 4 is a front view of the ceiling fan;
 FIG. 5 is a left side view of the ceiling fan;
 FIG. 6 is a perspective view of the ceiling fan; and,
 FIG. 7 is a top view of the ceiling fan.
 Broken lines depict portions of the ceiling fan that form no part of the claimed design.

1 Claim, 7 Drawing Sheets



(56)

References Cited

U.S. PATENT DOCUMENTS

D799,660 S 10/2017 Jones
 D818,572 S * 5/2018 Gajewski D23/413
 D821,562 S 6/2018 Hagggar et al.
 D833,593 S 11/2018 Hidalgo
 D851,233 S * 6/2019 Gajewski D23/377
 D858,735 S 9/2019 Wang
 D861,154 S 9/2019 Biancuzzo
 D879,935 S * 3/2020 Busta D23/385
 D879,936 S 3/2020 Schulzman
 D879,940 S 3/2020 Orozco
 D899,583 S 10/2020 Hagggar
 D916,272 S 4/2021 Gajewski
 D933,188 S * 10/2021 Li D23/377
 D933,810 S * 10/2021 Li D23/413
 D948,022 S 4/2022 McRoberts
 D959,640 S 8/2022 Gorali
 D968,582 S 11/2022 Holmes Bradley et al.
 D972,115 S 12/2022 Tzou
 D981,548 S * 3/2023 Pan D23/377
 D983,349 S * 4/2023 Pan D23/377
 D985,751 S * 5/2023 Jones D23/377
 D987,058 S * 5/2023 Wang D23/377
 D987,059 S * 5/2023 Wang D23/377
 D988,494 S * 6/2023 Pan D23/377
 D989,272 S 6/2023 Eiffert
 D989,942 S 6/2023 Eiffert
 11,680,703 B1 * 6/2023 Harris F21V 33/0096
 362/96
 D994,107 S 8/2023 Lintner
 D994,869 S * 8/2023 Cheng D26/59
 2007/0104583 A1 * 5/2007 Gajewski F04D 29/005
 416/210 R
 2009/0122572 A1 5/2009 Page et al.
 2009/0129974 A1 5/2009 McEllen
 2013/0280077 A1 10/2013 Iwamoto et al.
 2023/0047172 A1 2/2023 McKinzie
 2023/0143101 A1 * 5/2023 Harris F04D 29/601
 416/210 R

OTHER PUBLICATIONS

Casa Fan Eco Revolution Fan. Manual [Online]. b2b.ventilator.de
 2021. [Publication Date: Oct. 9, 2021] [Retrieved on Aug. 22,

2023]. Retrieved from the Internet: <URL:https://b2b.ventilator.de/BA/Bedienungsanleitung_Eco_Revolution_DE_GB_FR_IT_ES_CZ_NL_PL_v12.pdf> (Year: 2021).*

Oltao Iroko Ceiling Fan. Amazon Standard ID# B0BHLK6P8X. Catalogue [Online]. Amazon.com 2023. [Date Reviewed: Mar. 29, 2023][Retrieved on Aug. 22, 2023]. Retrieved from the Internet: <URL:https://www.amazon.in/oltao-Iroko-luxury-Reverse-Summer/dp/B0BHLK6P8X> (Year: 2023).*

Robinson, U.S. Appl. No. 29/835,963, filed Apr. 22, 2022, Notice of Allowance and Fees Due, dated Sep. 22, 2023.

Robinson, U.S. Appl. No. 29/835,958, filed Apr. 22, 2022, Notice of Allowance and Fees Due, Sep. 21, 2023.

Robinson, U.S. Appl. No. 29/835,949, filed Apr. 22, 2022, Notice of Allowance and Fees Due, dated Sep. 22, 2023.

Robinson, U.S. Appl. No. 29/835,945, filed Apr. 22, 2022, Notice of Allowance and Fees Due, dated Aug. 28, 2023.

Lucci Air Nautica Ceiling Fan. Amazon Standard ID# B09PMM77TSX. Catalogue Amazon.com.be. 2022 [date first avail: Available: Oct. 18, 2022] <URL:https://www.amazon.com.be/-/en/Nautica-Ceiling-Lighting-Control-Diameter/dp/B09PMM77TSX>, 3pgs.

“Lucci Airfusion Unione Ceiling Fan”, Manual, beacolighting.com.au Feb. 2022, https://www.beacolighting.com.au/media/catalog/product/file/im/213301_213301.pdf, 2022, 18pgs.

“Lucci Airfusion Slipstream Ceiling Fan”, Manual, beacolighting.com.au Feb. 2022, https://www.beacolighting.com.au/media/catalog/product/file/im/213305_213305.pdf, 2022, 18pgs.

“Lucci Airfusion Riviera Ceiling Fan”, Manual, beacolighting.com.au Feb. 2022, https://www.beacolighting.com.au/media/catalog/product/file/im/213352_213352.pdf, 2022, 18pgs.

“Beacon Lighting Unione 142cm DC Fan with Light in Aged Nickel/Koa”, Amazon Standard ID# B09PMD2282, Catalogue, Amazon.com.au 2021, https://www.amazon.com.au/Beacon-Lighting-Unione-142cm-Nickel/dp/B09PMD2282, 2021, 4pgs.

“Beacon Lighting Slipstream DC Fan with Light”, Amazon SKU ID# 213302, Catalogue beacolighting.com.au 2023, https://www.beacolighting.com.au/slipstream-107cm-dc-fan-with-light-in-white, 2023, 3pgs.

“Beacon Lighting Riviera DC Fan with Light”, Amazon SKU ID# 213350, Catalogue beacolighting.com.au 2023, https://www.beacolighting.com.au/riviera-132cm-dc-fan-with-light-in-white, 2023, 3pgs.

* cited by examiner

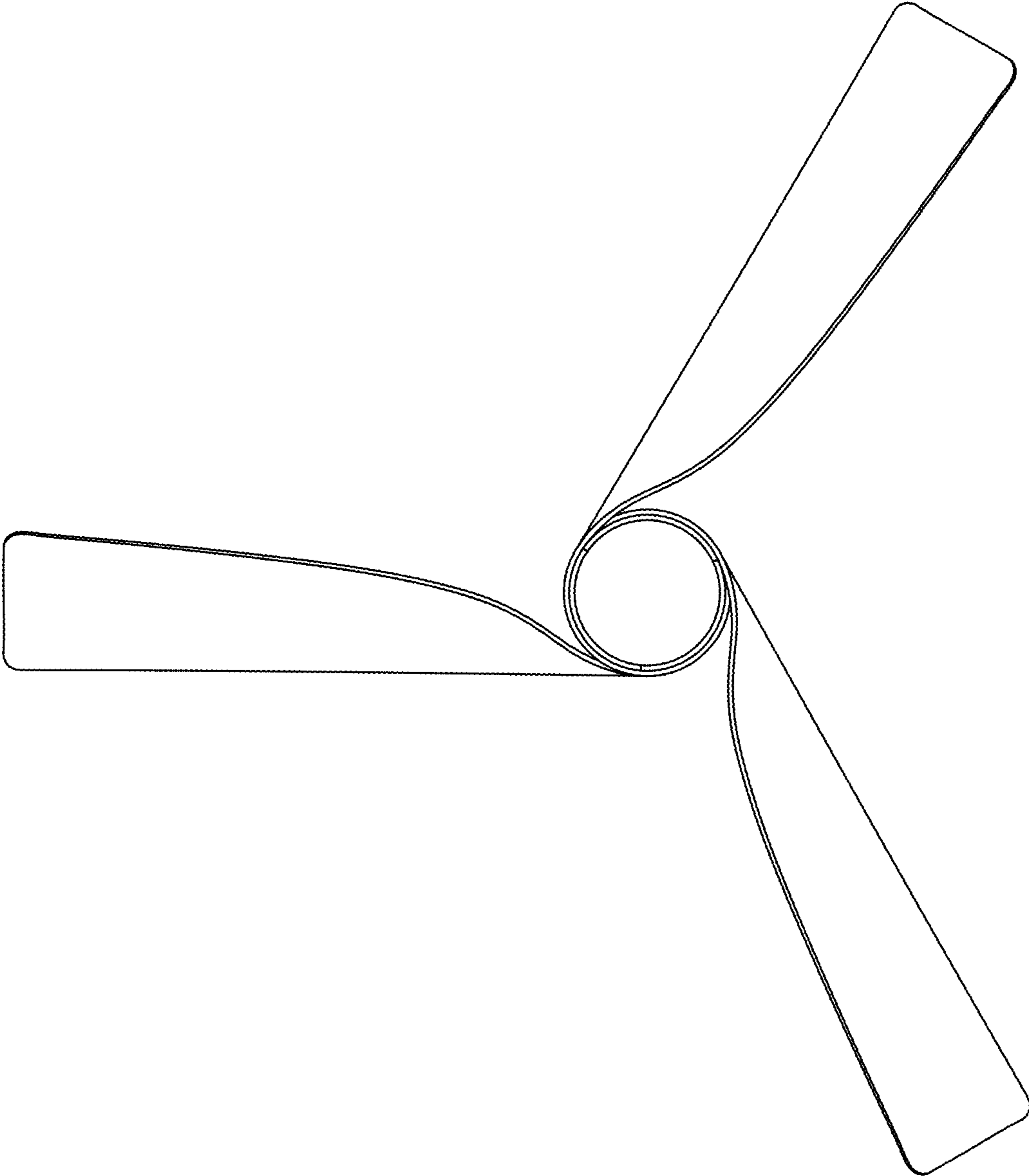


Figure 1

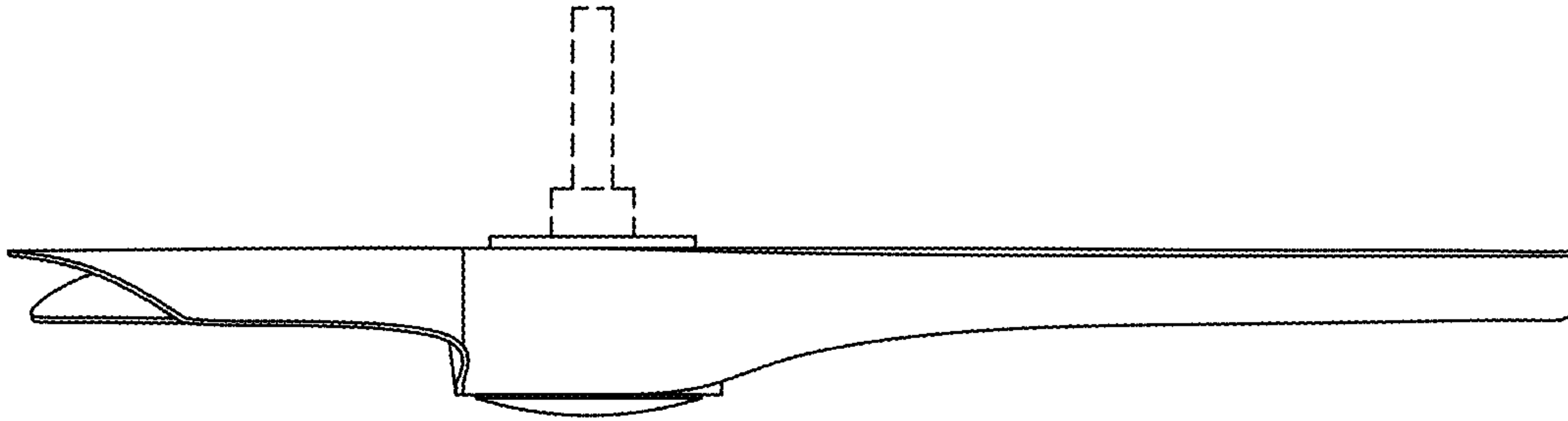


Figure 2

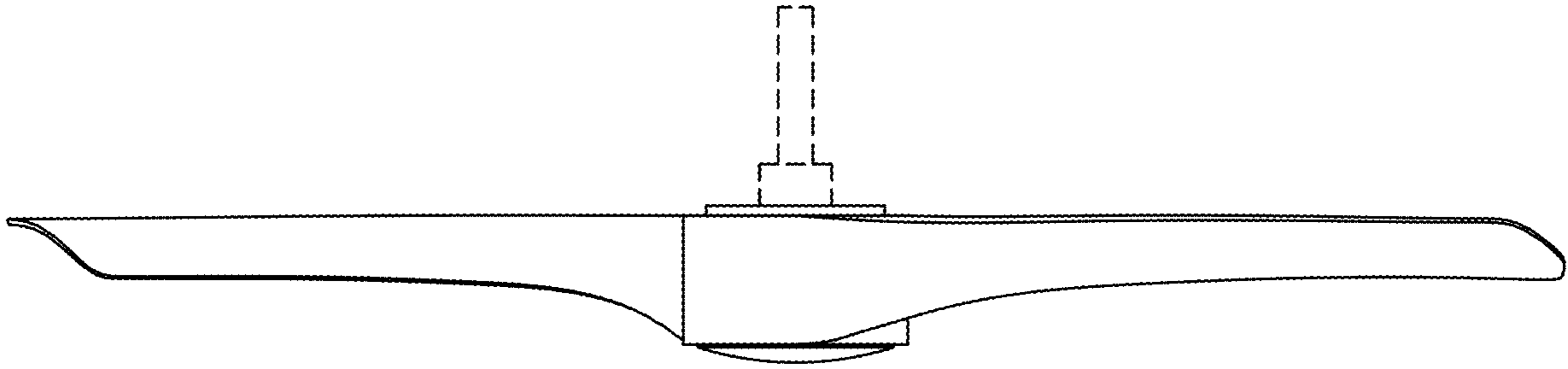


Figure 3

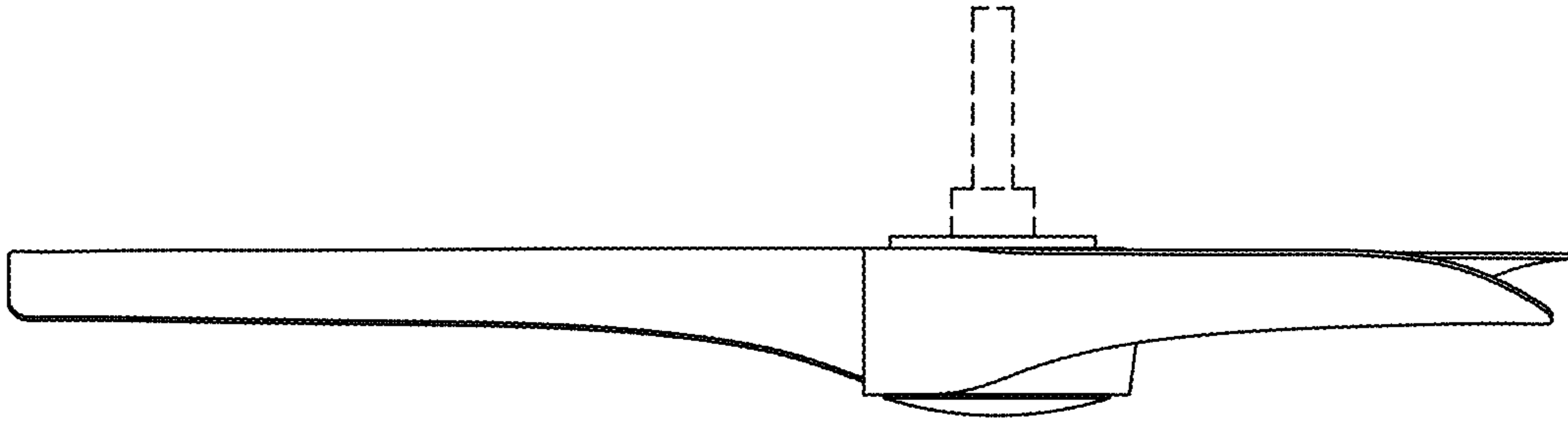


Figure 4

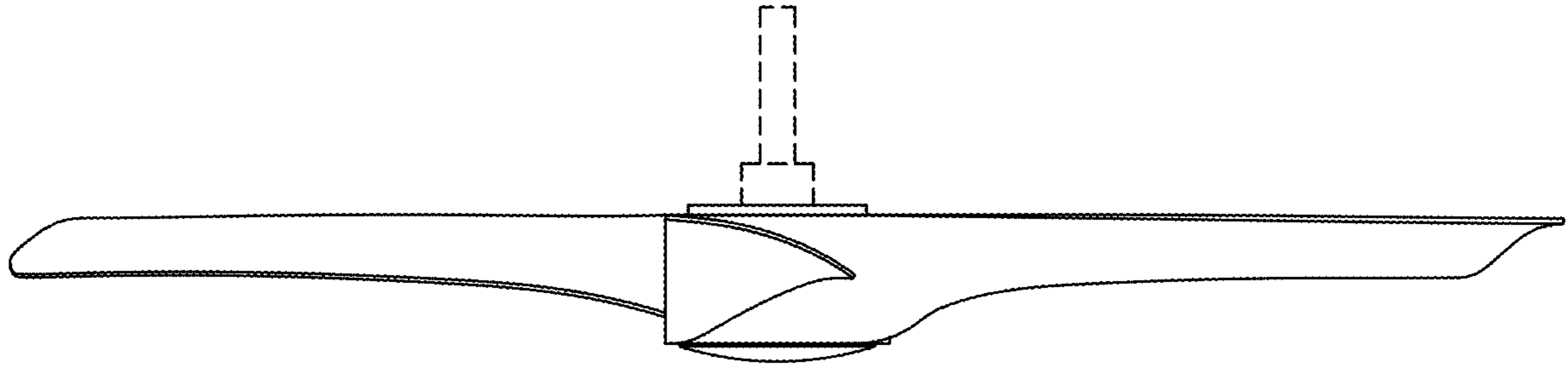


Figure 5

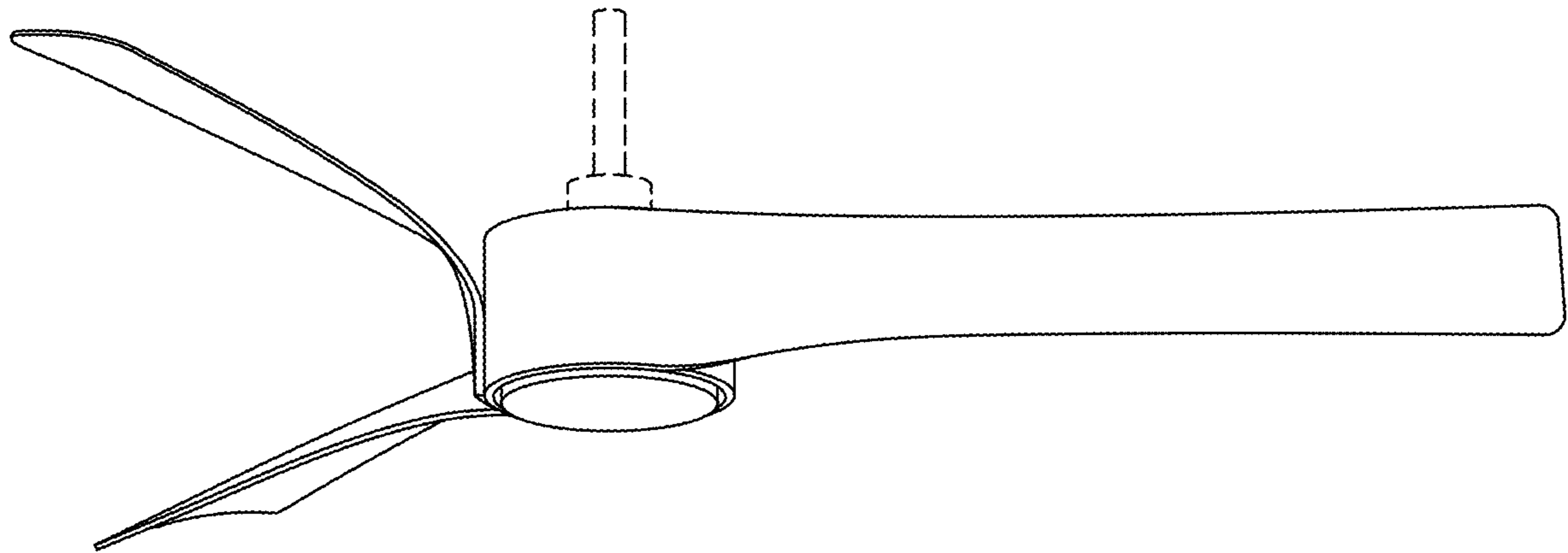


Figure 6

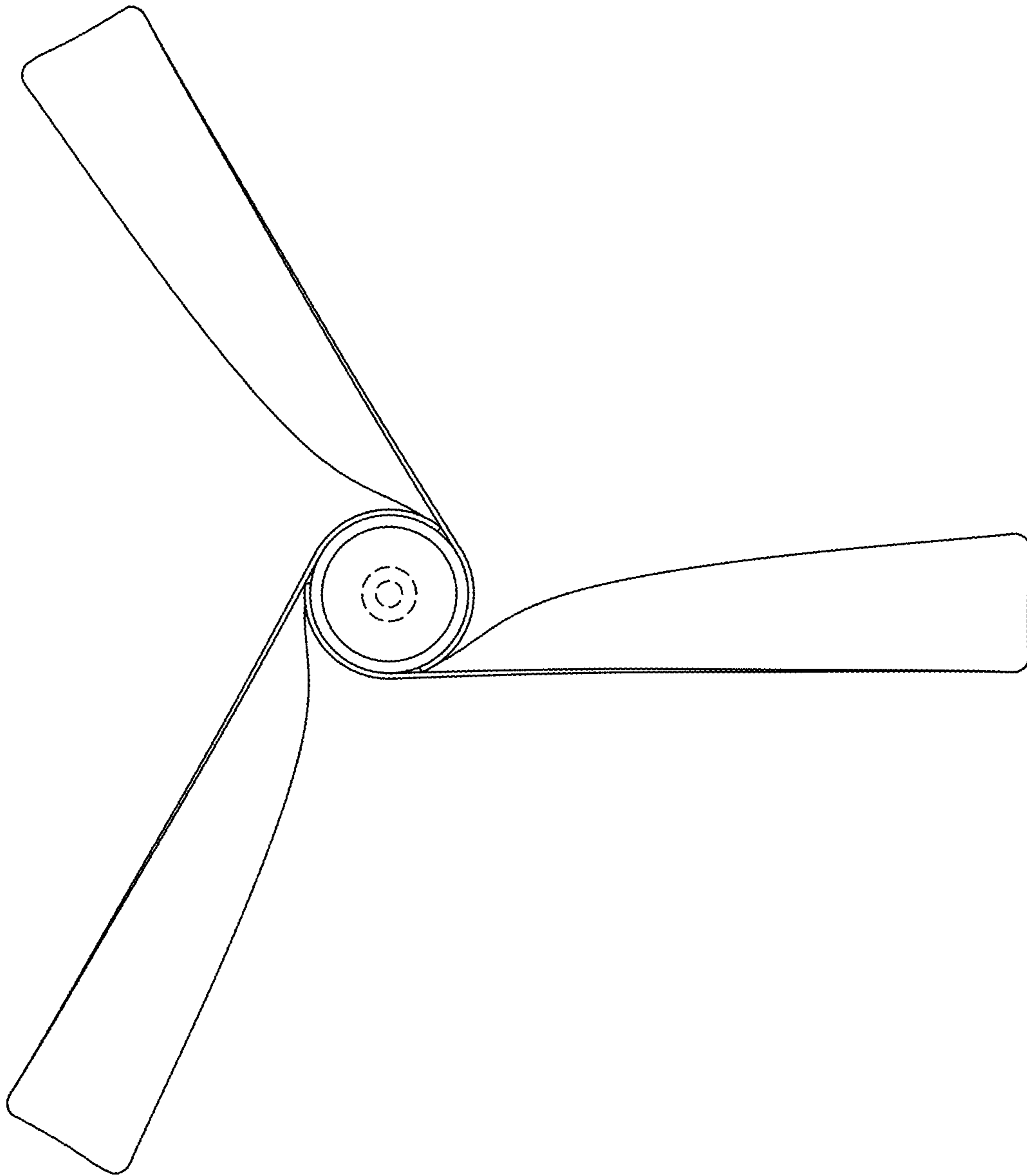


Figure 7