



US0D1015459S

(12) **United States Design Patent** (10) **Patent No.:** **US D1,015,459 S**
Kirtley et al. (45) **Date of Patent:** **** Feb. 20, 2024**

- (54) **GOLF CLUB HEAD**
- (71) Applicant: **PARSONS XTREME GOLF, LLC**,
Scottsdale, AZ (US)
- (72) Inventors: **Daniel C. Kirtley**, Scottsdale, AZ (US);
Caleb S. Kroloff, Phoenix, AZ (US)
- (73) Assignee: **PARSONS XTREME GOLF, LLC**,
Scottsdale, AZ (US)
- (**) Term: **15 Years**
- (21) Appl. No.: **29/833,401**
- (22) Filed: **Apr. 4, 2022**

4,754,977 A	7/1988	Sahm	
4,869,507 A	9/1989	Sahm	
4,964,641 A	10/1990	Miesch et al.	
D313,451 S	1/1991	Shearer	
D323,867 S *	2/1992	Rizzotto	D21/740
D335,317 S	5/1993	Shearer	
D335,692 S	5/1993	Antonious	
D336,757 S	6/1993	Antonious	
5,275,412 A	1/1994	Innes	
D350,582 S	9/1994	Miansian et al.	
5,390,919 A	2/1995	Stubbs et al.	
D356,131 S	3/1995	Trimble	
D360,444 S	7/1995	Takahashi et al.	
5,429,366 A	7/1995	McCabe	
D363,101 S	10/1995	Sturm	
D364,665 S	11/1995	Goodrich	
D365,864 S	1/1996	Sturm	
5,489,097 A	2/1996	Simmons	
D368,751 S	4/1996	Rife	
D369,393 S	4/1996	Takahashi et al.	
5,571,053 A	11/1996	Lane	
D378,688 S	4/1997	Cameron	
D380,514 S	7/1997	Markley	
D385,609 S	10/1997	Cameron	
5,683,307 A	11/1997	Rife	
D388,143 S	12/1997	Huan-Chiang	
D389,207 S	1/1998	Cameron	
D398,685 S	9/1998	Masuda	
5,807,190 A	9/1998	Krumme et al.	
D399,290 S	10/1998	Sizemore, Jr.	
D399,911 S	10/1998	Nicolette et al.	
5,839,974 A	11/1998	McAllister	
D405,836 S	2/1999	Nicolette et al.	
D409,701 S	5/1999	Ashcraft et al.	
D411,275 S	6/1999	Bottema et al.	
5,924,938 A	7/1999	Hines	
D415,809 S	10/1999	Bottema et al.	
D416,062 S	11/1999	Solheim et al.	
D416,969 S	11/1999	Solheim et al.	
D416,970 S	11/1999	Solheim et al.	
6,007,434 A	12/1999	Baker et al.	
D421,473 S	3/2000	Solheim et al.	
D422,655 S	4/2000	Hicks	
6,050,903 A	4/2000	Lake	
D426,276 S	6/2000	Besnard et al.	
6,089,993 A	7/2000	Woodward et al.	
D429,302 S	8/2000	Antonious	
6,110,057 A	8/2000	McKinnon	
D430,914 S	9/2000	Antonious	
D431,853 S	10/2000	Antonious	
D431,854 S	10/2000	Cameron	
D432,192 S	10/2000	Hicks	
D436,151 S	1/2001	Nicolette et al.	

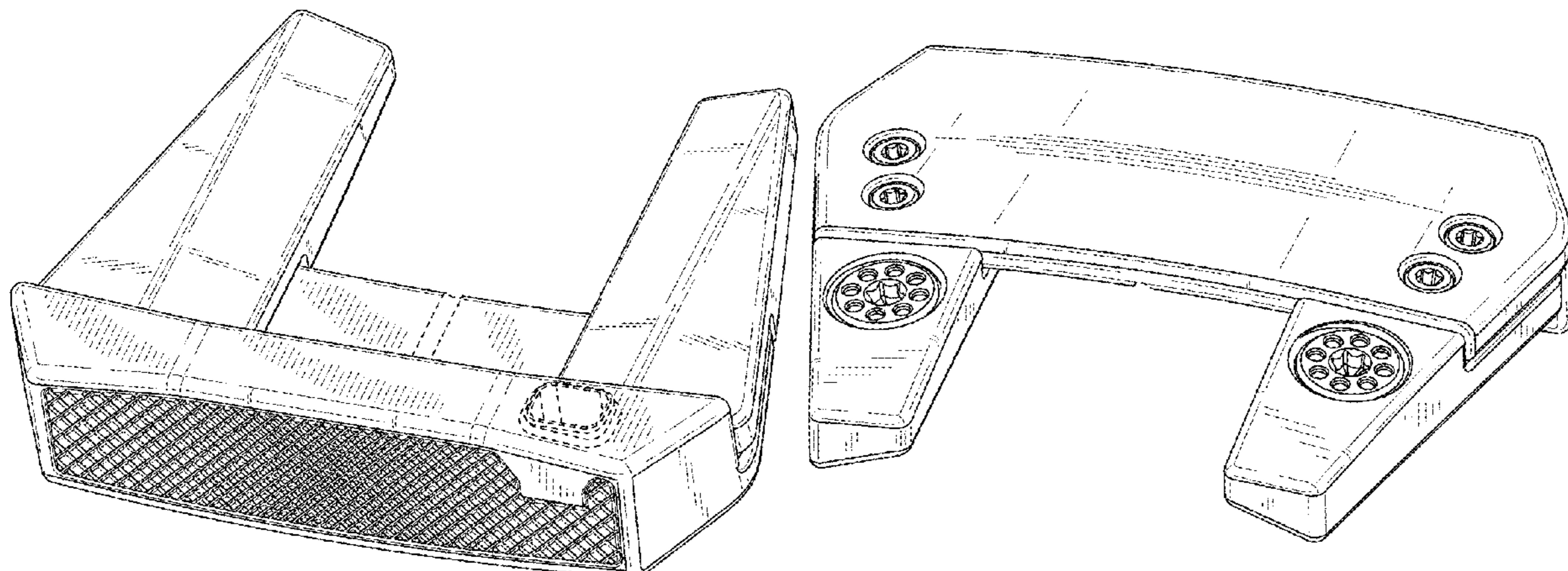
Related U.S. Application Data

- (62) Division of application No. 29/752,182, filed on Sep. 25, 2020, now Pat. No. Des. 952,081.
- (51) **LOC (14) Cl.** **21-02**
- (52) **U.S. Cl.**
USPC **D21/736**
- (58) **Field of Classification Search**
USPC D21/736-746, 759
CPC A63B 53/00; A63B 53/04; A63B 53/007;
A63B 53/065; A63B 53/0487; A63B
60/00; A63B 60/46
See application file for complete search history.

References Cited

U.S. PATENT DOCUMENTS

723,534 A	3/1903	Knight	
922,444 A	5/1909	Youds	
1,094,599 A	4/1914	Samson	
D57,980 S	5/1921	Kraeuter	
D63,284 S	11/1923	Challis	
RE19,178 E	5/1934	Spiker	
4,043,562 A	8/1977	Shillington	
D248,783 S	8/1978	Long	
4,340,230 A	7/1982	Churchward	
D281,092 S	10/1985	Mills	
4,741,535 A *	5/1988	Leonhardt	A63B 53/0487 473/252



US D1,015,459 S

D437,374 S	2/2001	Cameron	D620,993 S	8/2010	Laub
D441,820 S	5/2001	Nicolette et al.	D621,461 S	8/2010	Serrano et al.
D443,668 S	6/2001	Nicolette et al.	D623,709 S	9/2010	Serrano et al.
D443,905 S	6/2001	Nicolette et al.	D631,925 S	2/2011	Broom
D444,833 S	7/2001	Wells et al.	7,887,432 B2	2/2011	Jones et al.
D444,835 S	7/2001	Wahl et al.	D633,964 S	3/2011	Teramoto
6,257,994 B1	7/2001	Antonious	7,909,707 B2	3/2011	Klein
6,264,571 B1	7/2001	Lekavich	7,918,745 B2	4/2011	Morris et al.
D449,664 S	10/2001	Beebe et al.	7,927,226 B1	4/2011	Twitty
D449,865 S	10/2001	Fife, Jr. et al.	D638,891 S	5/2011	Nicolette et al.
D450,799 S	11/2001	Nicolette et al.	7,942,758 B2	5/2011	Nakamura
D451,973 S	12/2001	Wells et al.	D639,369 S	6/2011	Miyamichi
6,348,014 B1	2/2002	Chiu	D642,643 S	8/2011	Nicolette et al.
6,354,959 B1	3/2002	Nicolette et al.	D643,485 S	8/2011	Nicolette et al.
6,394,910 B1	5/2002	McCarthy	D643,892 S	8/2011	McGrorty
D472,949 S	4/2003	Serrano	D645,104 S	9/2011	Nicolette et al.
D474,821 S	5/2003	Wells et al.	8,096,039 B2	1/2012	Soracco et al.
D474,949 S	5/2003	Schaffeld et al.	D653,718 S	2/2012	Stokke et al.
D482,087 S	11/2003	Burrows	8,109,841 B2	2/2012	Miyamichi
6,652,390 B2	11/2003	Bradford	D655,361 S	3/2012	Ramsauer
D483,086 S	12/2003	Schweigert et al.	D661,753 S	6/2012	Cameron et al.
D486,539 S	2/2004	Burrows	D666,260 S	8/2012	Cynn
D486,872 S	2/2004	Schweigert et al.	D672,418 S	12/2012	Rollinson
D488,200 S	4/2004	Olsavsky et al.	8,371,958 B2	2/2013	Treadwell
D490,487 S	5/2004	Burrows	8,376,878 B2	2/2013	Bennett et al.
D498,276 S	11/2004	Schweigert et al.	D688,339 S	8/2013	Hilton et al.
D500,823 S	1/2005	Aldrich	D688,341 S *	8/2013	Rollinson D21/746
6,902,496 B2	6/2005	Solheim et al.	D691,226 S *	10/2013	Hilton D21/746
6,902,498 B2	6/2005	Sullivan et al.	8,608,590 B2	12/2013	Hackel et al.
D511,801 S	11/2005	Garcia	D699,308 S	2/2014	Rollinson
D512,114 S	11/2005	Garcia	8,696,492 B1	4/2014	Hocknell et al.
D512,116 S	11/2005	Mirafior et al.	D704,782 S	5/2014	Rollinson
6,988,955 B2	1/2006	Stoakes	8,721,472 B2	5/2014	Kuan et al.
6,988,956 B2	1/2006	Cover et al.	8,790,193 B2	7/2014	Serrano et al.
D517,143 S *	3/2006	Petsel D21/742	D711,483 S	8/2014	Wong
D520,088 S	5/2006	Parr	D715,388 S	10/2014	Serrano et al.
D531,242 S	10/2006	Adams	D722,350 S	2/2015	Schweigert
7,125,341 B1	10/2006	D'Eath	D722,351 S	2/2015	Parsons et al.
D532,067 S	11/2006	Soracco et al.	D722,352 S	2/2015	Nicolette et al.
D532,845 S *	11/2006	Rollinson D21/736	D723,120 S	2/2015	Nicolette
7,153,220 B2	12/2006	Lo	D724,164 S	3/2015	Schweigert et al.
D534,595 S	1/2007	Hasebe	D725,208 S	3/2015	Schweigert
7,156,752 B1	1/2007	Bennett	D726,265 S	4/2015	Nicolette
D536,401 S	2/2007	Kawami	D726,846 S	4/2015	Schweigert
D536,403 S	2/2007	Kawami	D728,715 S *	5/2015	Cameron D21/736
D537,898 S	3/2007	Kuan et al.	D730,462 S	5/2015	Becktor et al.
D538,371 S	3/2007	Kawami	D730,464 S *	5/2015	Cameron D21/743
7,204,765 B2	4/2007	Cover et al.	D731,605 S *	6/2015	Rollinson D21/736
D542,869 S	5/2007	Adams	D732,122 S	6/2015	Becktor
D543,598 S	5/2007	Kuan et al.	D732,618 S	6/2015	Becktor et al.
D543,601 S	5/2007	Kawami	D733,234 S	6/2015	Nicolette
D555,219 S	11/2007	Lin	D735,283 S	7/2015	Solheim et al.
D556,277 S	11/2007	Broom	9,108,088 B2	8/2015	Serrano et al.
7,309,297 B1	12/2007	Solari	D738,447 S	9/2015	Schweigert
D561,854 S	2/2008	Morris	D738,449 S	9/2015	Schweigert
7,331,876 B2	2/2008	Klein	D739,487 S	9/2015	Schweigert
7,351,162 B2	4/2008	Soracco et al.	D741,426 S	10/2015	Schweigert
D569,461 S	5/2008	Morris	D746,926 S	1/2016	Parsons et al.
D569,930 S	5/2008	Nehrbas	D748,213 S	1/2016	Parsons et al.
D573,673 S *	7/2008	Noyes D21/721	D748,215 S	1/2016	Parsons et al.
7,396,289 B2	7/2008	Soracco et al.	9,233,283 B2	1/2016	Schweigert
D574,908 S *	8/2008	Hettinger D21/743	9,265,996 B1	2/2016	Abbott et al.
D577,085 S	9/2008	Nicolette et al.	D752,697 S	3/2016	Claveran
D577,086 S	9/2008	Nicolette et al.	D753,252 S	4/2016	Schweigert
D579,506 S	10/2008	Nicolette et al.	9,440,124 B2	9/2016	Parsons et al.
D579,995 S	11/2008	Nicolette et al.	D768,248 S *	10/2016	Rollinson D21/744
D582,497 S *	12/2008	Rollinson D21/744	D771,208 S *	11/2016	Bettinardi D21/744
7,473,189 B2	1/2009	Schweigert et al.	9,498,685 B2	11/2016	Abbott et al.
7,491,131 B2	2/2009	Vinton	D773,573 S *	12/2016	Abbott D21/744
D590,461 S *	4/2009	Kim D21/743	D776,771 S *	1/2017	Peterson D21/744
D591,807 S *	5/2009	Rollinson D21/744	D777,270 S *	1/2017	Rollinson D21/744
D594,921 S	6/2009	Bettinardi	9,566,484 B1	2/2017	Abbott et al.
D595,793 S	7/2009	Rollinson	D791,891 S	7/2017	Davis
D599,425 S	9/2009	Laub	D794,146 S	8/2017	Davis
D599,867 S	9/2009	Teramoto	D798,975 S	10/2017	Becktor
D600,763 S	9/2009	Cameron	D798,976 S	10/2017	Becktor
D601,214 S	9/2009	Serrano et al.	D798,977 S	10/2017	Becktor
D607,951 S	1/2010	Teramoto	D798,978 S	10/2017	Becktor
7,744,485 B2	6/2010	Jones et al.	D798,979 S	10/2017	Becktor

D798,980	S	10/2017	Becktor	
D798,981	S	10/2017	Becktor et al.	
D799,617	S *	10/2017	Becktor	D21/742
D799,619	S	10/2017	Becktor et al.	
D801,457	S *	10/2017	Lewis	D21/736
D802,073	S	11/2017	Toulon	
D807,453	S *	1/2018	Serrano	D21/743
D812,163	S	3/2018	Kroloff	
D812,164	S *	3/2018	Parsons	D21/742
D813,963	S *	3/2018	Lapuz	D21/742
D815,222	S *	4/2018	Serrano	D21/743
D815,703	S *	4/2018	Schweigert	D21/736
9,987,530	B2	6/2018	Jertson et al.	
D832,381	S *	10/2018	Serrano	D21/743
10,173,105	B2	1/2019	Myers et al.	
D839,977	S	2/2019	Rollinson et al.	
D844,722	S *	4/2019	Wang	D21/736
D855,132	S *	7/2019	Schweigert	D21/759
D860,356	S *	9/2019	Rollinson	D21/744
D865,885	S *	11/2019	Long	D21/736
D867,495	S *	11/2019	Cameron	D21/736
D867,497	S *	11/2019	Broom	D21/743
D867,498	S *	11/2019	Broom	D21/743
D882,006	S *	4/2020	Serrano	D21/736
D892,954	S *	8/2020	Clarke	D21/736
D893,645	S *	8/2020	Serrano	D21/743
D895,748	S *	9/2020	Rollinson	D21/743
D909,508	S *	2/2021	Rollinson	D21/743
D910,789	S *	2/2021	Schweigert	D21/736
10,905,928	B2 *	2/2021	Sheldon	A63B 53/0487
D912,174	S *	3/2021	Toulon	D21/743
D921,140	S *	6/2021	Serrano	D21/736
D930,095	S *	9/2021	Wang	D21/743
D934,362	S *	10/2021	Toulon	D21/743
D936,770	S *	11/2021	Cameron	D21/744
D941,411	S *	1/2022	Wang	D21/743
D952,081	S *	5/2022	Kirtley	D21/736
2004/0138003	A1	7/2004	Grace	
2004/0180730	A1	9/2004	Franklin et al.	
2006/0052178	A1	3/2006	Franklin et al.	
2006/0094522	A1	5/2006	Tang et al.	
2006/0223649	A1	10/2006	Rife	
2007/0129163	A1	6/2007	Solari	
2007/0135229	A1	6/2007	Lo et al.	
2007/0142122	A1	6/2007	Bonneau	
2007/0207875	A1	9/2007	Kuan et al.	
2007/0238548	A1	10/2007	Johnson	
2008/0139333	A1	6/2008	Klein	
2008/0146372	A1	6/2008	John	
2008/0176672	A1	7/2008	Roach et al.	
2009/0029800	A1	1/2009	Jones et al.	
2010/0255922	A1	10/2010	Lueders	
2011/0165959	A1	7/2011	Klein	
2013/0165256	A1	6/2013	Stevenson	
2013/0210537	A1	8/2013	Ainscough et al.	
2015/0057100	A1	2/2015	Serrano et al.	
2015/0258390	A1	9/2015	DeFrancesco, Jr.	
2015/0306477	A1	10/2015	Parsons et al.	
2016/0016050	A1	1/2016	Rife	
2016/0346649	A1	12/2016	Jertson et al.	
2018/0001163	A1	1/2018	Becktor et al.	
2018/0311545	A1	11/2018	Lambeth et al.	

FOREIGN PATENT DOCUMENTS

JP	2004223184	A	8/2004
JP	2005160691	A	6/2005
KR	200377377	Y1	3/2005
KR	200403045	Y1	12/2005
KR	20100065481	A	6/2010
KR	101773069	B1	8/2017

OTHER PUBLICATIONS

Golf putter google search; google.com; Sep. 13, 2023.*
Pgx putter google search; google.com; Sep. 13, 2023.*

pxg.com; Battle Ready II putters; Sep. 13, 2023.*
pxg.com; 0211 putters; Sep. 13, 2023.*
pxg.com; Battle Ready putters; Sep. 13, 2023.*
Plugged in Golf (2015 Bettinardi Putters Review) [online]. Mar. 3, 2015 [retrieve Nov. 25, 2019].
TourSpecGolf (Gold's Factory Multi Weighted Custom Putter), Published Nov. 20, 2010 [http://blog.tourspecgolf.com/golds-factory-multi-weighted-custom-putter/], Retrieved May 17, 2020.
U.S. Appl. No. 29/523,587, Schweigert, "Golf Club Head," filed Apr. 10, 2015.

* cited by examiner

Primary Examiner — Mitchell I. Siegel

(57) CLAIM

The ornamental design for a golf club head, as shown and described.

DESCRIPTION

FIG. 1 is a top perspective view of a golf club head according to a first embodiment;
FIG. 2 is a bottom perspective view of the golf club head of FIG. 1;
FIG. 3 is a front elevational view of the golf club head of FIG. 1;
FIG. 4 is a rear elevational view of the golf club head of FIG. 1;
FIG. 5 is a top view of the golf club head of FIG. 1;
FIG. 6 is a bottom view of the golf club head of FIG. 1;
FIG. 7 is a left side view of the golf club head of FIG. 1;
FIG. 8 is a right side view of the golf club head of FIG. 1;
FIG. 9 is a top perspective view of a golf club head according to a second embodiment;
FIG. 10 is a bottom perspective view of the golf club head of FIG. 9;
FIG. 11 is a front elevational view of the golf club head of FIG. 9;
FIG. 12 is a rear elevational view of the golf club head of FIG. 9;
FIG. 13 is a top view of the golf club head of FIG. 9;
FIG. 14 is a bottom view of the golf club head of FIG. 9;
FIG. 15 is a left side view of the golf club head of FIG. 9;
FIG. 16 is a right side view of the golf club head of FIG. 9;
FIG. 17 is a top perspective view of a golf club head according to a third embodiment;
FIG. 18 is a bottom perspective view of the golf club head of FIG. 17;
FIG. 19 is a front elevational view of the golf club head of FIG. 17;
FIG. 20 is a rear elevational view of the golf club head of FIG. 17;
FIG. 21 is a top view of the golf club head of FIG. 17;
FIG. 22 is a bottom view of the golf club head of FIG. 17;
FIG. 23 is a left side view of the golf club head of FIGS. 17; and,
FIG. 24 is a right side view of the golf club head of FIG. 17.
The broken lines shown on the drawings form no part of the claimed design.

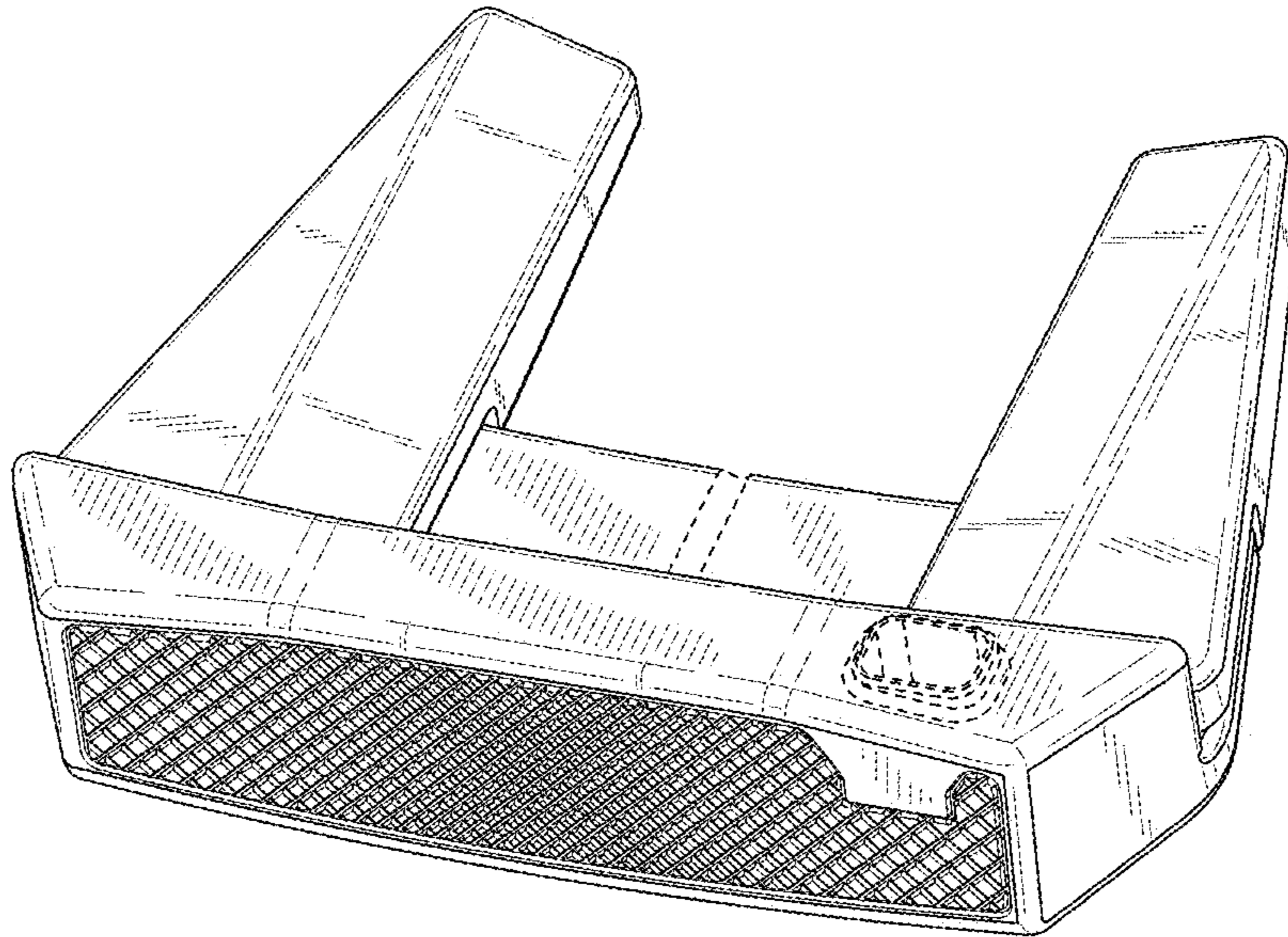


FIG. 1

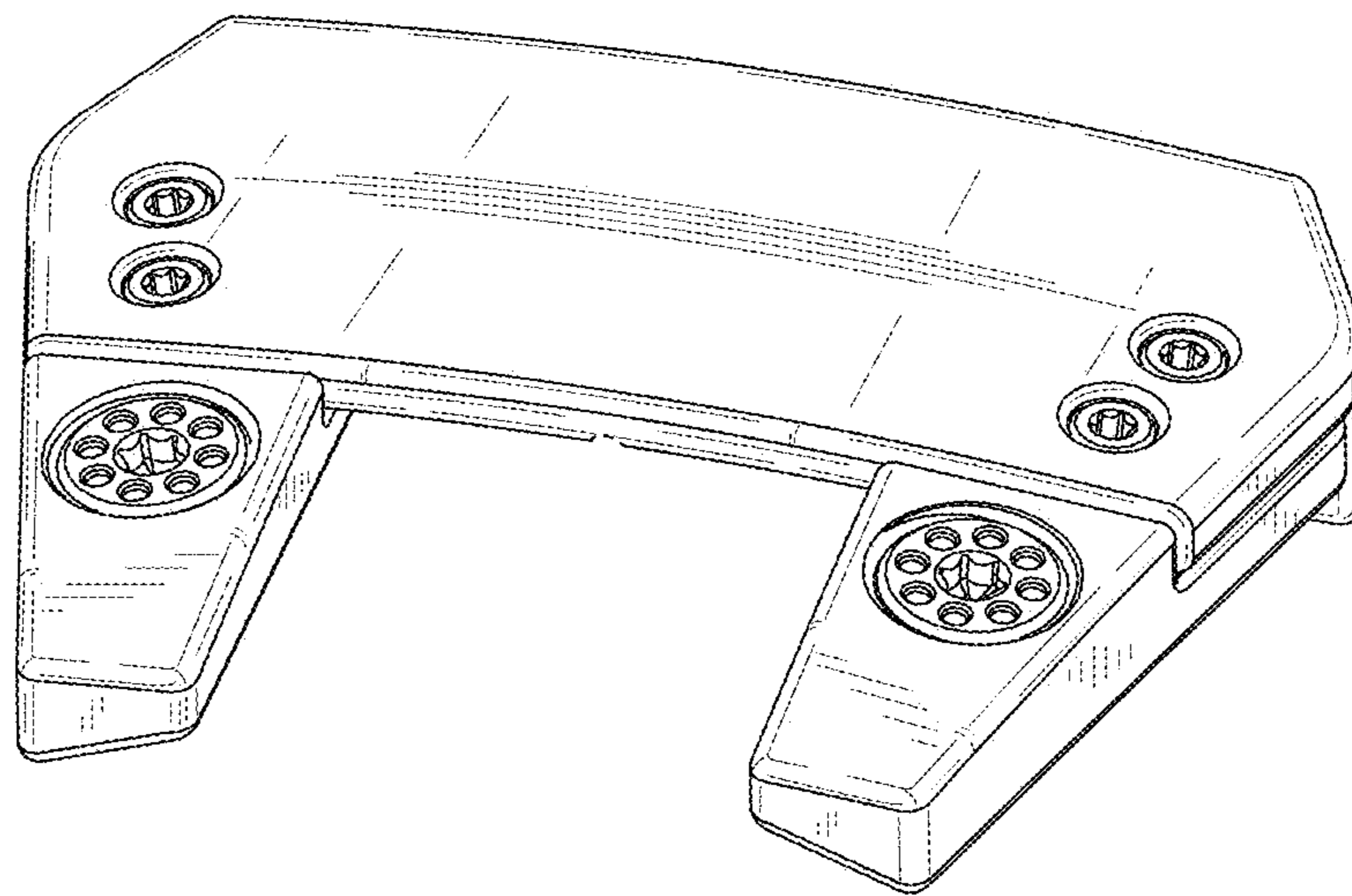


FIG. 2

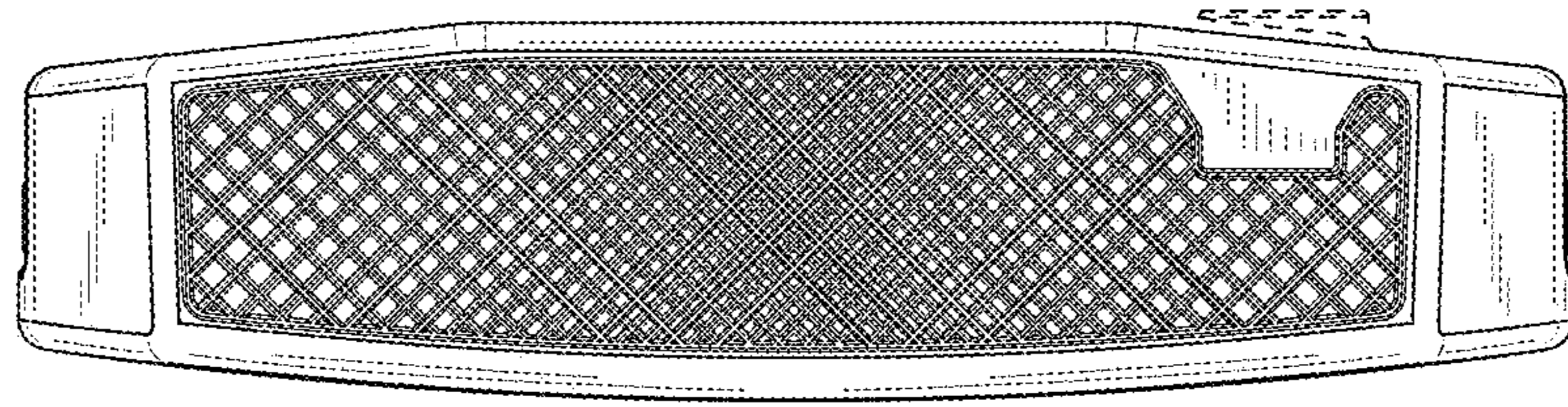


FIG. 3

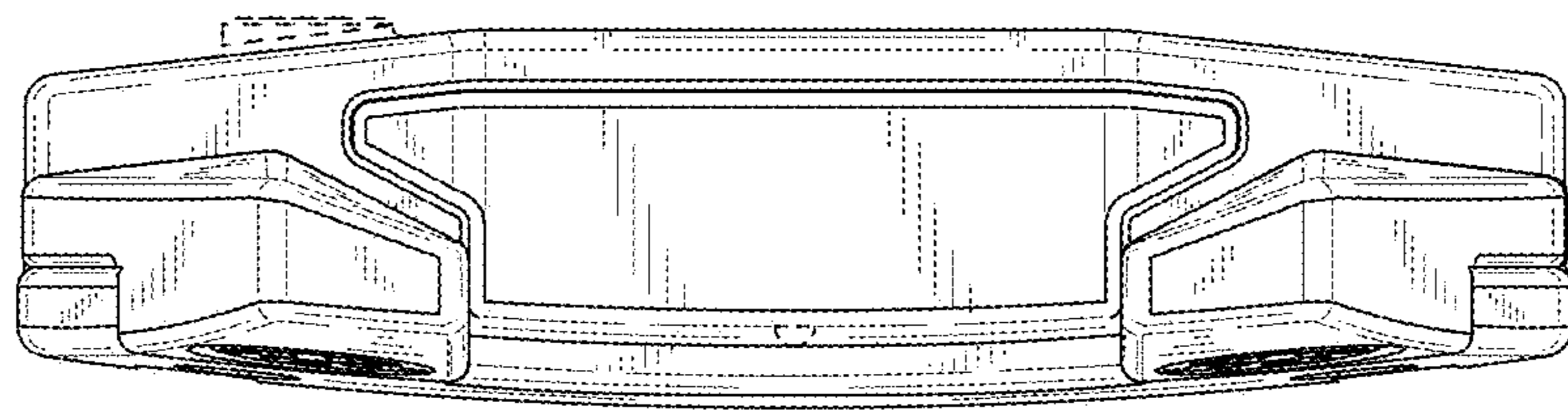


FIG. 4

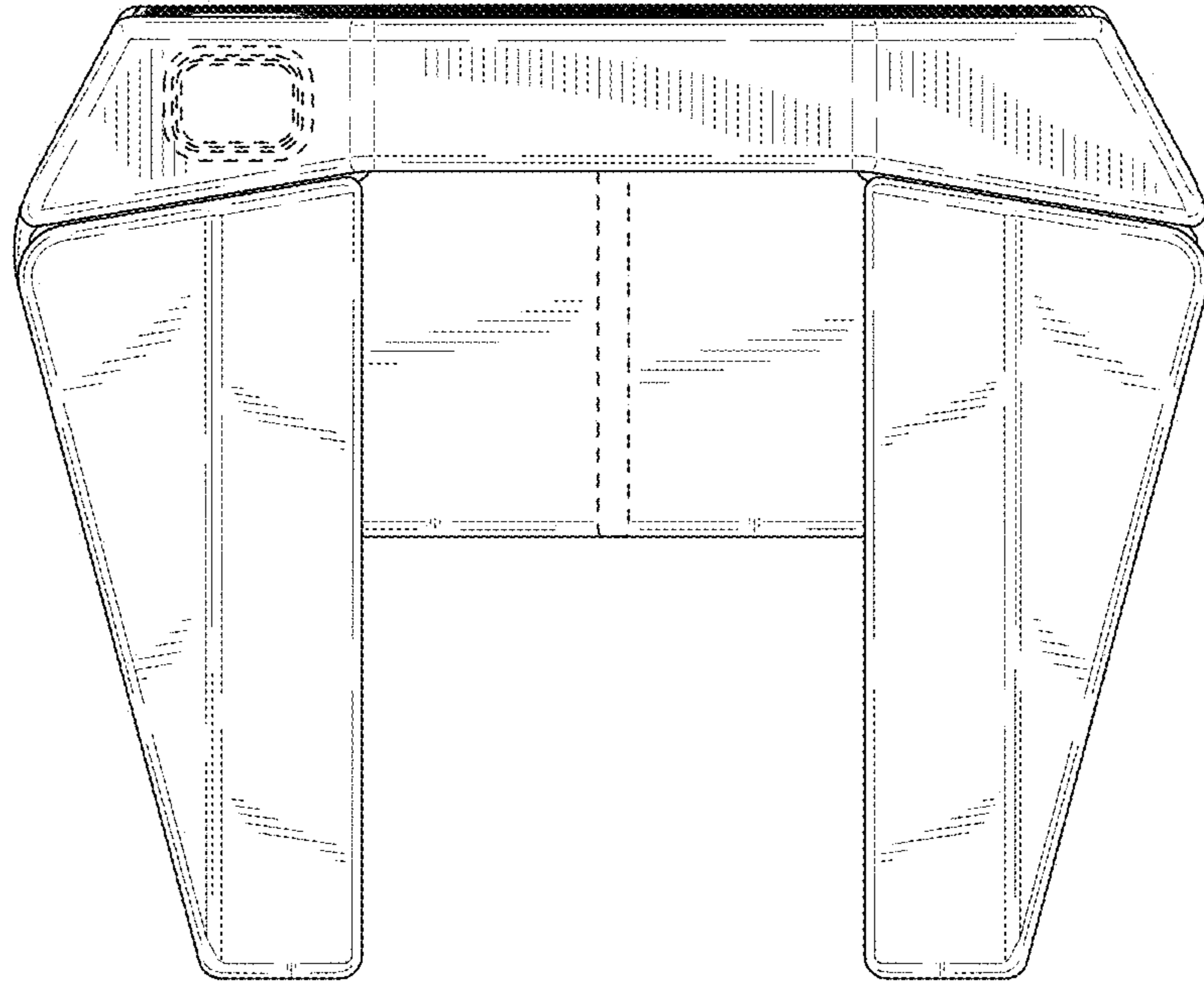


FIG. 5

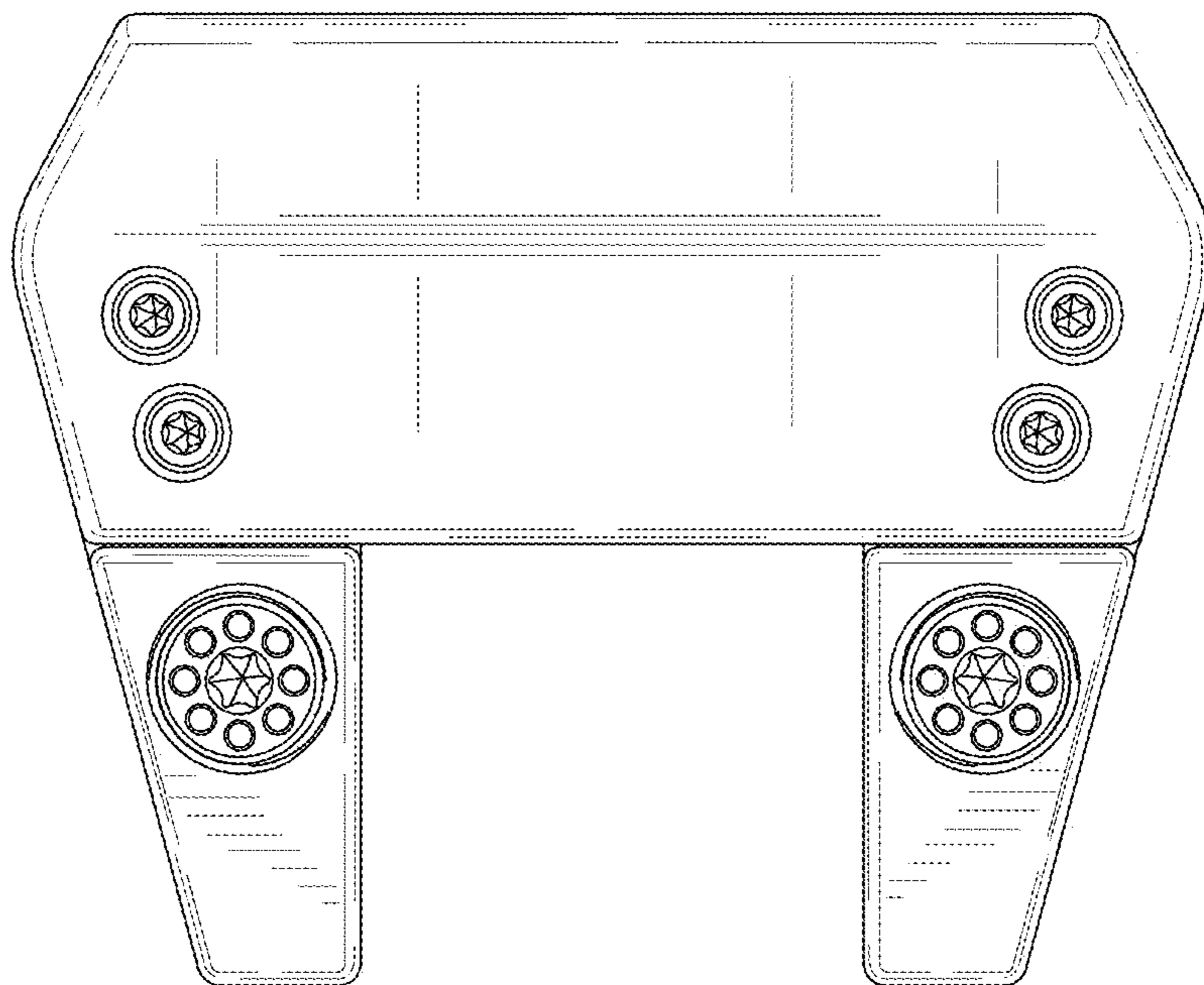


FIG. 6

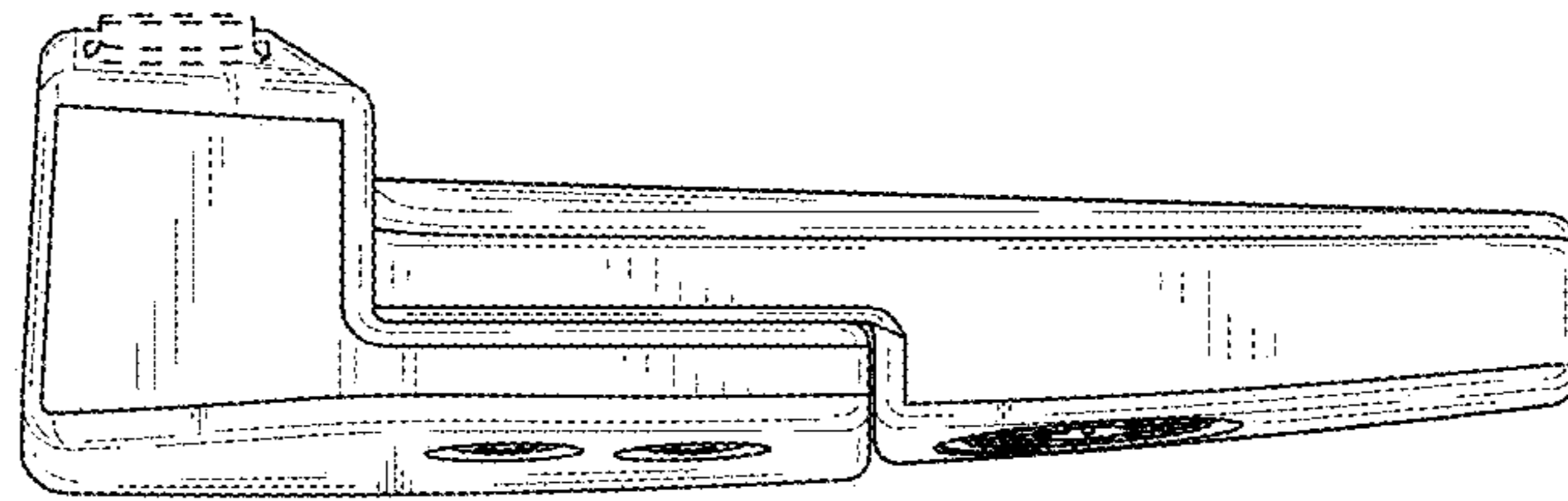


FIG. 7

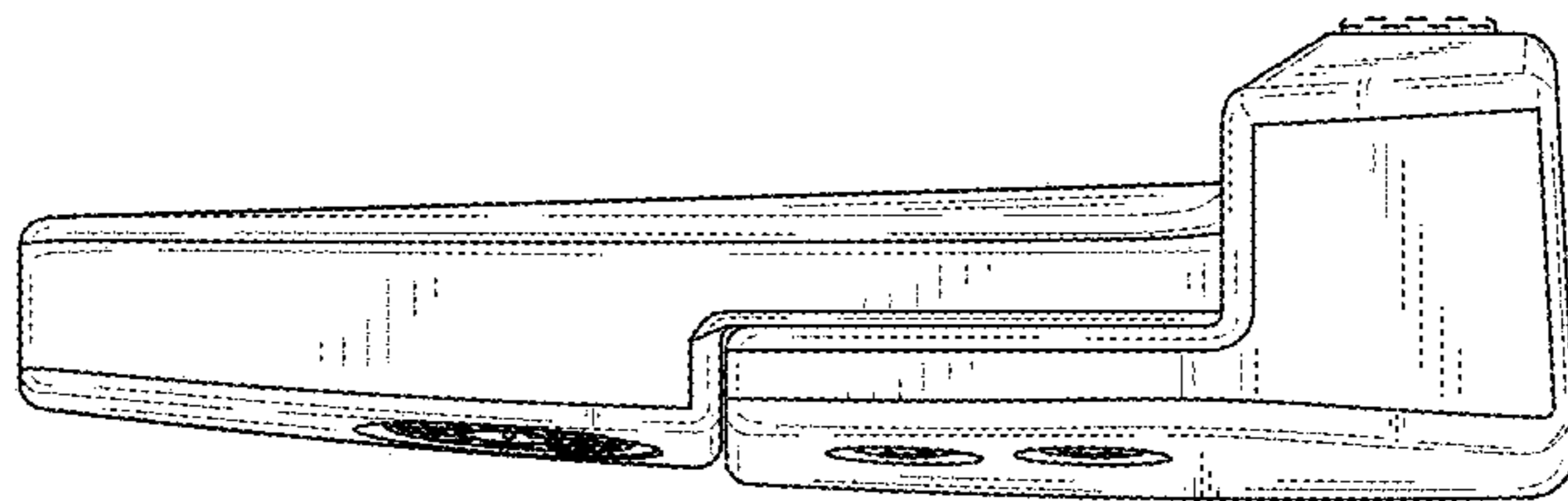


FIG. 8

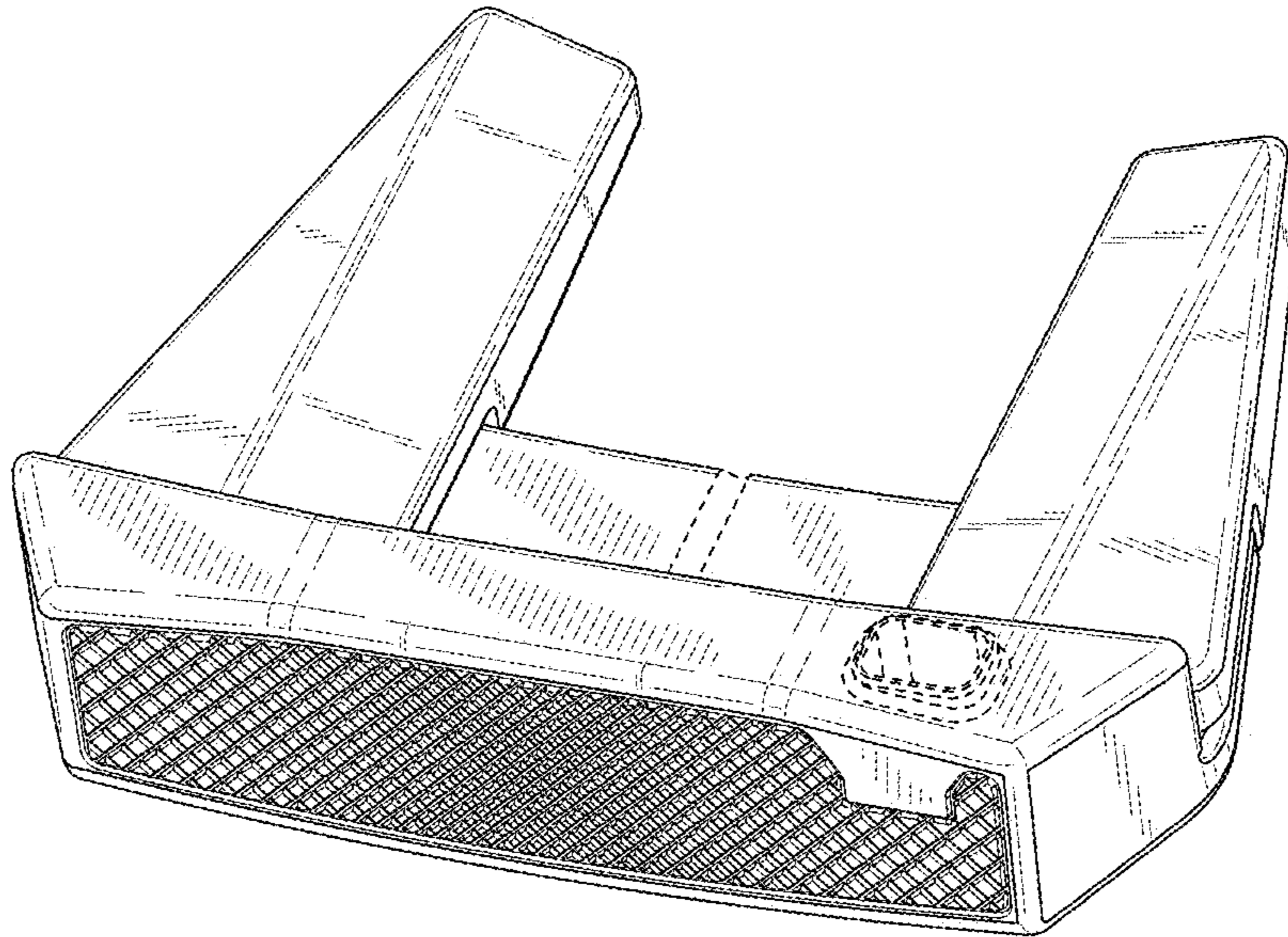


FIG. 9

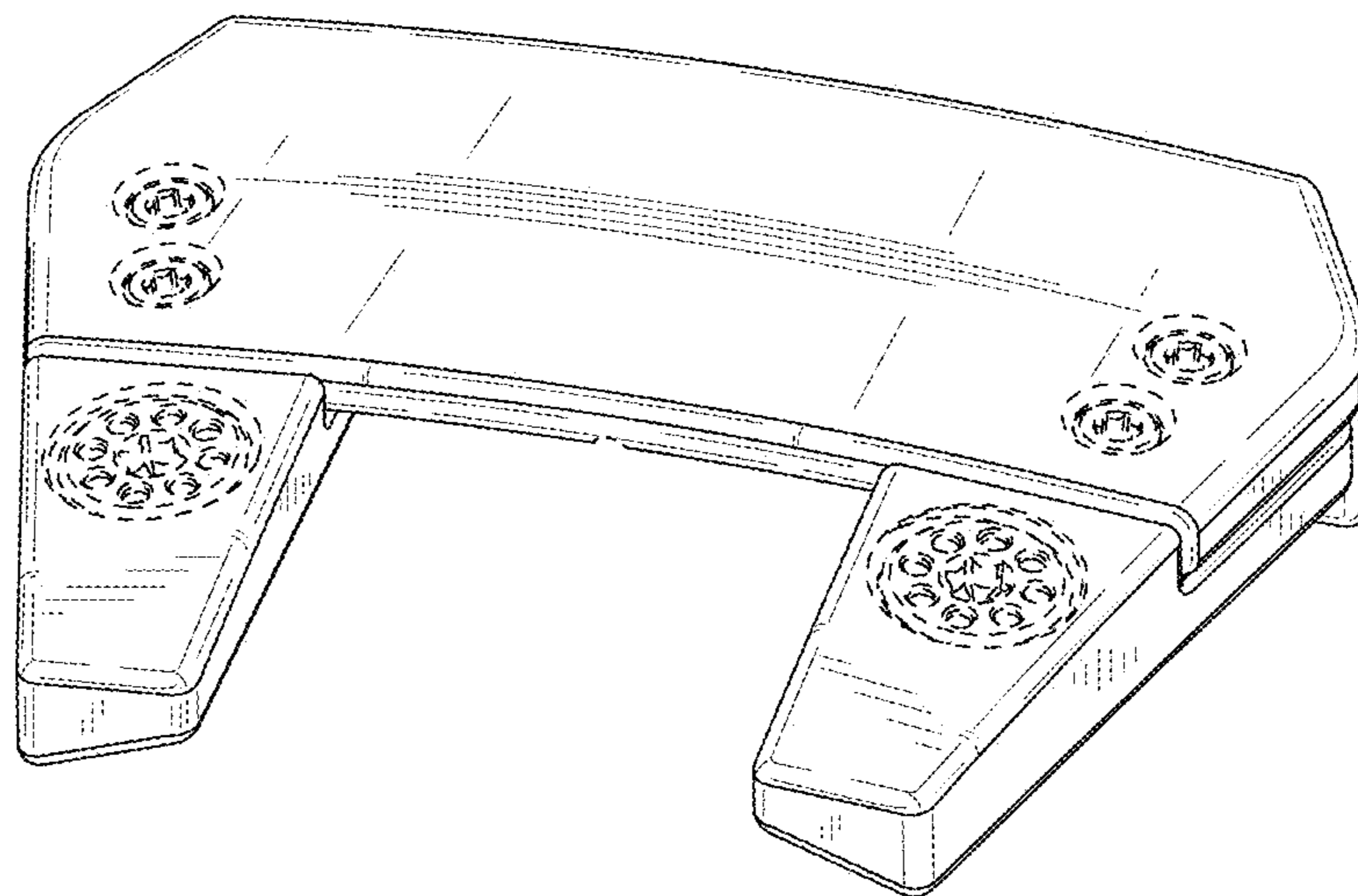


FIG. 10

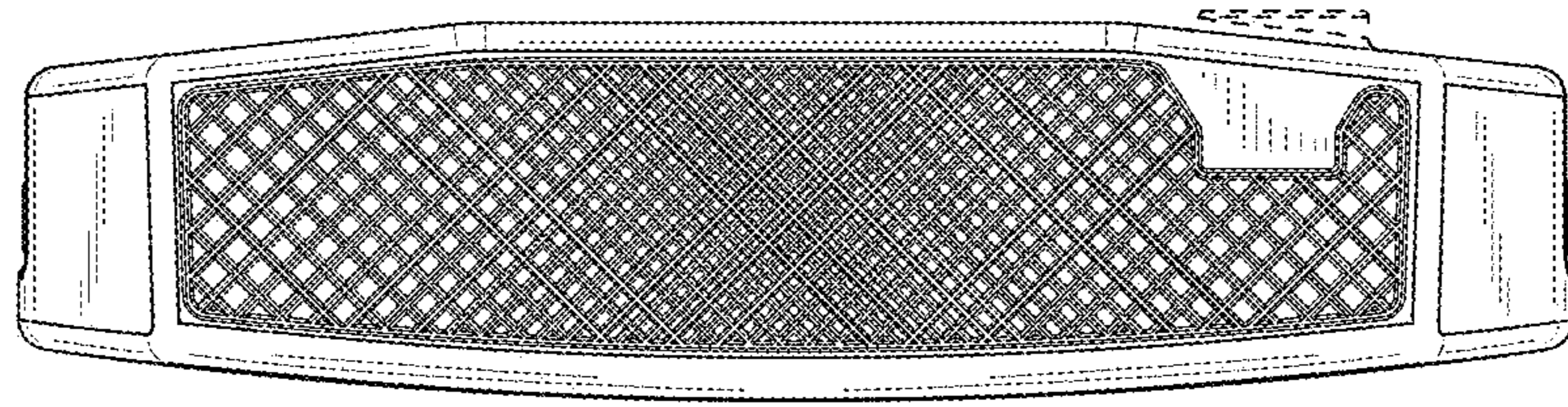


FIG. 11

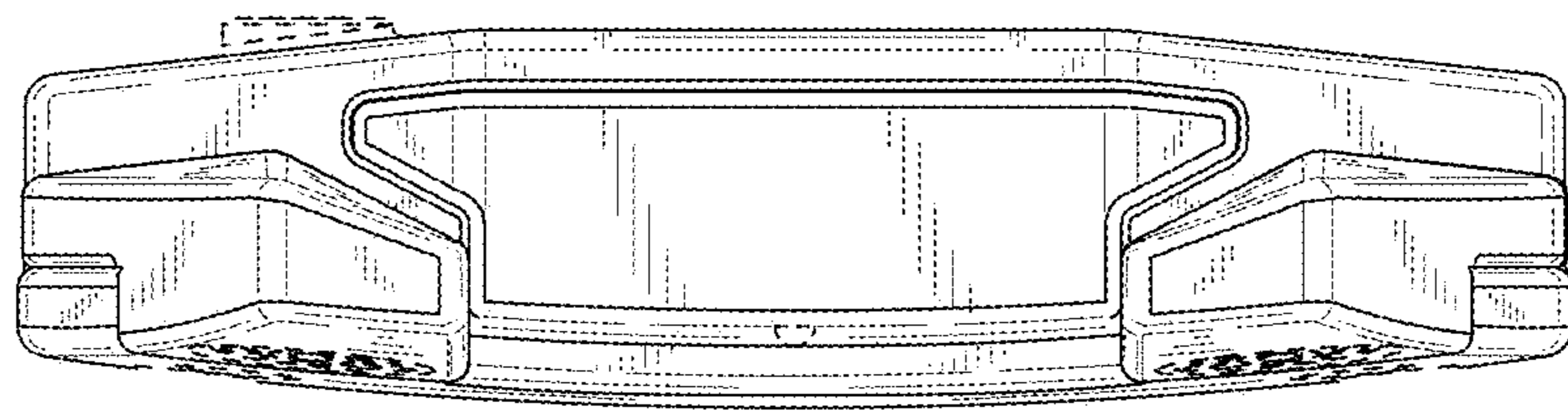


FIG. 12

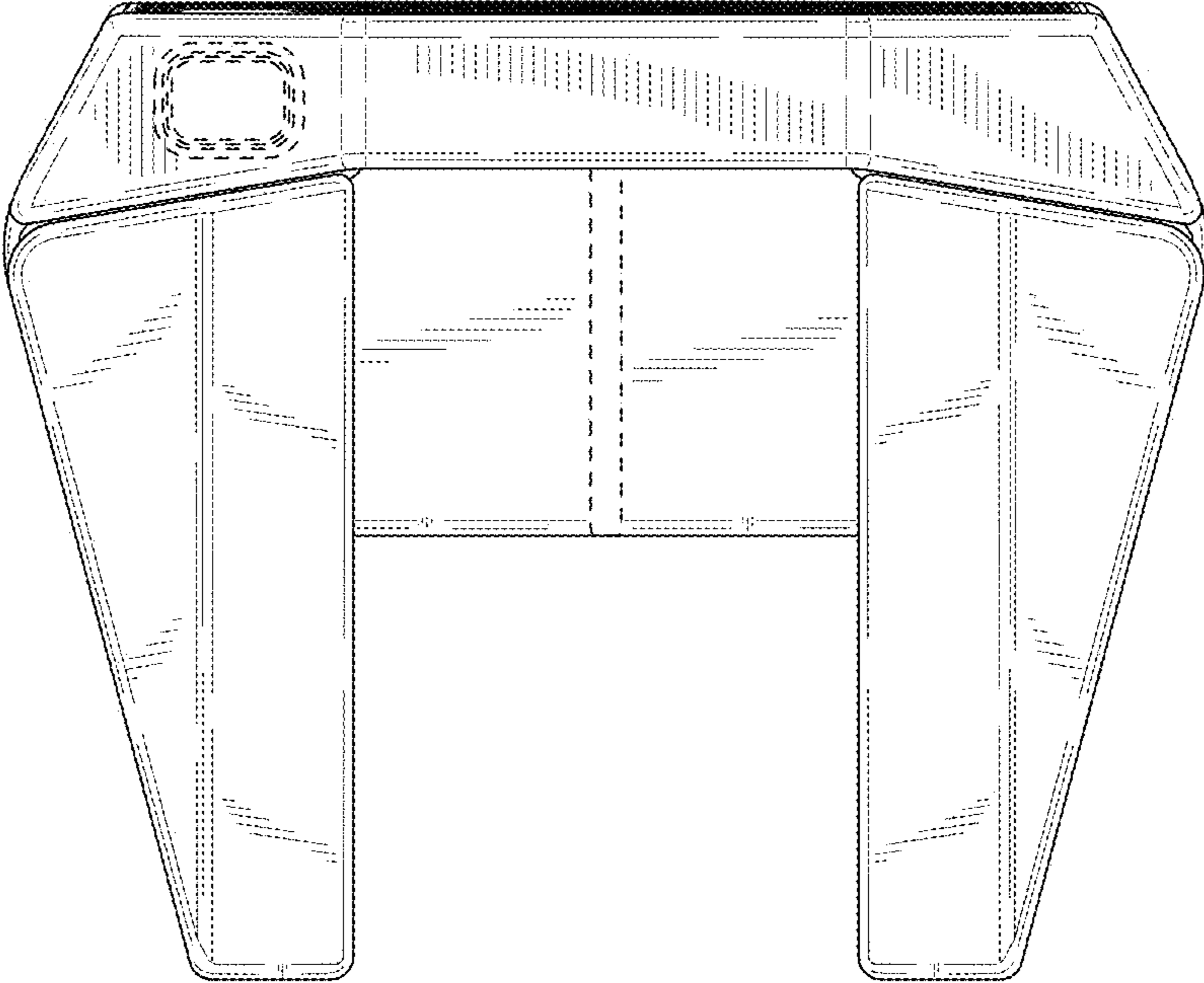


FIG. 13

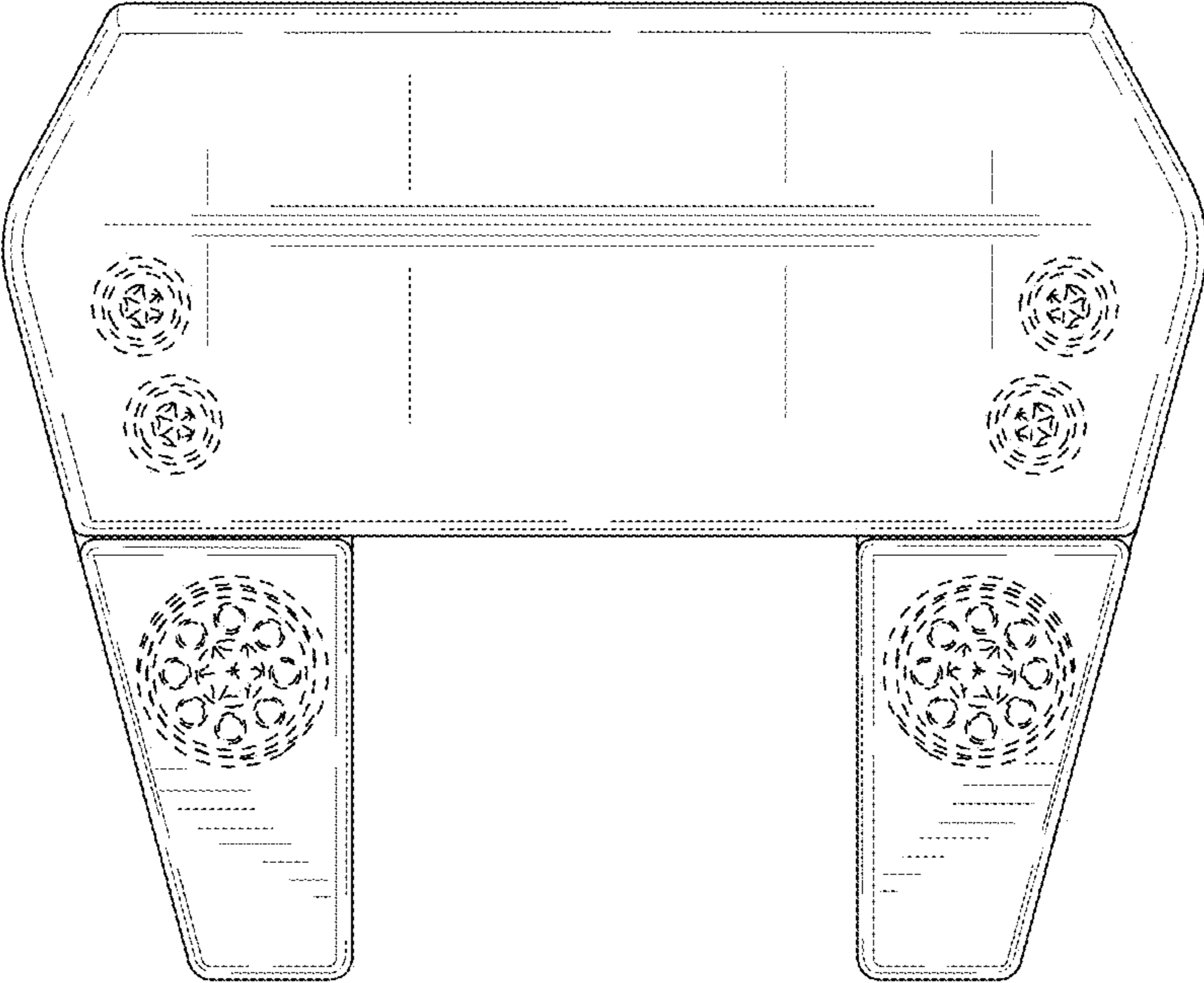


FIG. 14

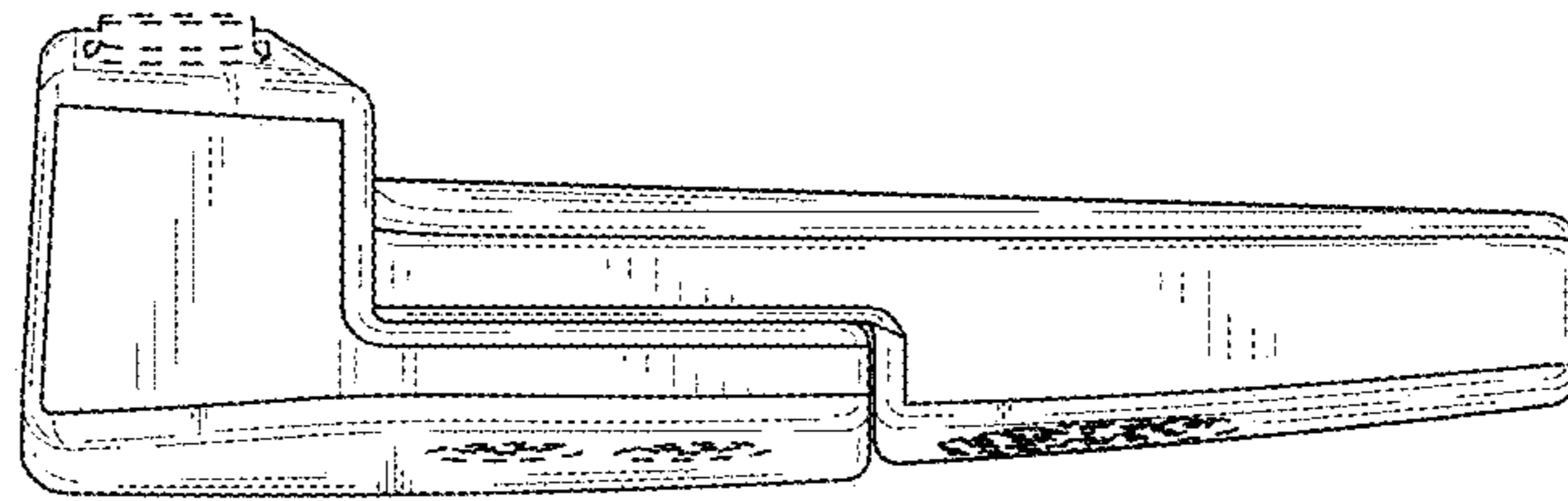


FIG. 15

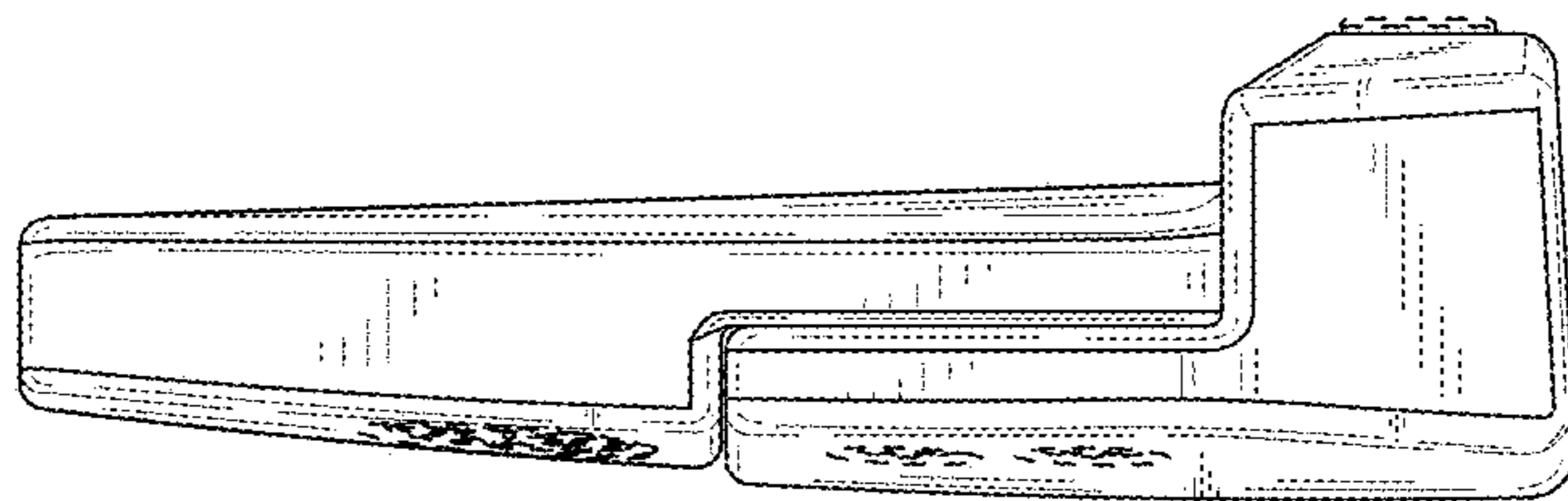


FIG. 16

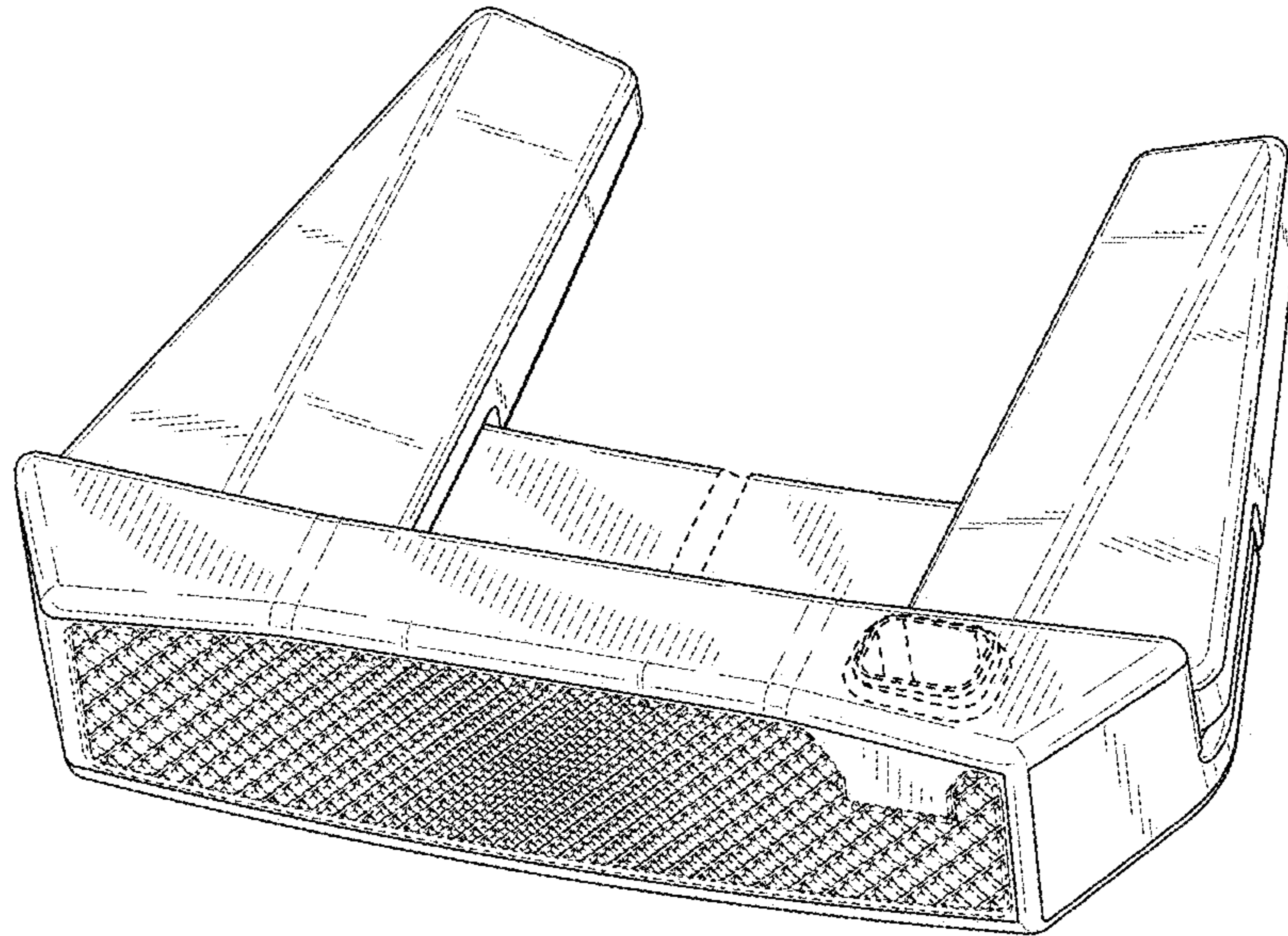


FIG. 17

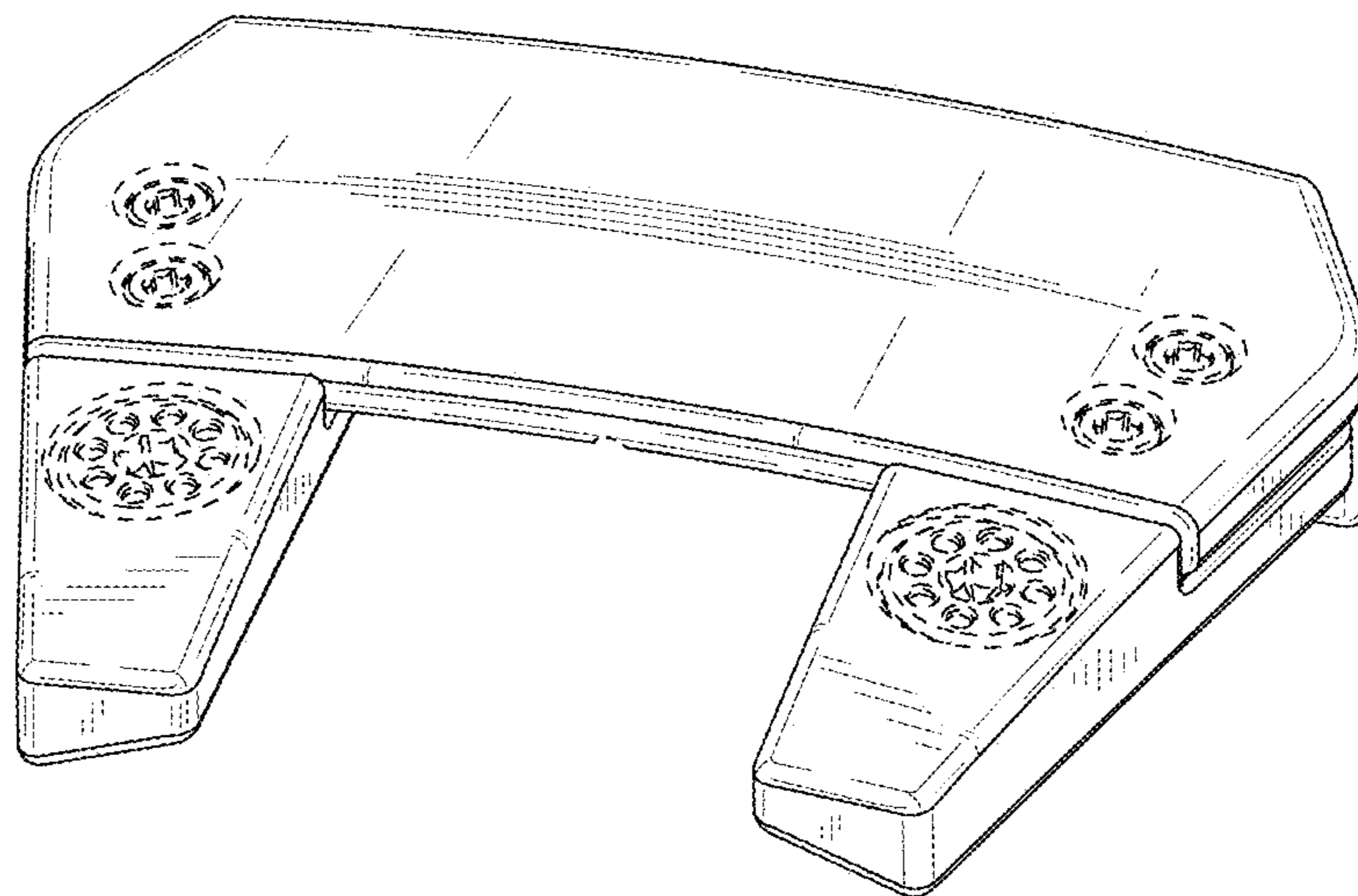


FIG. 18

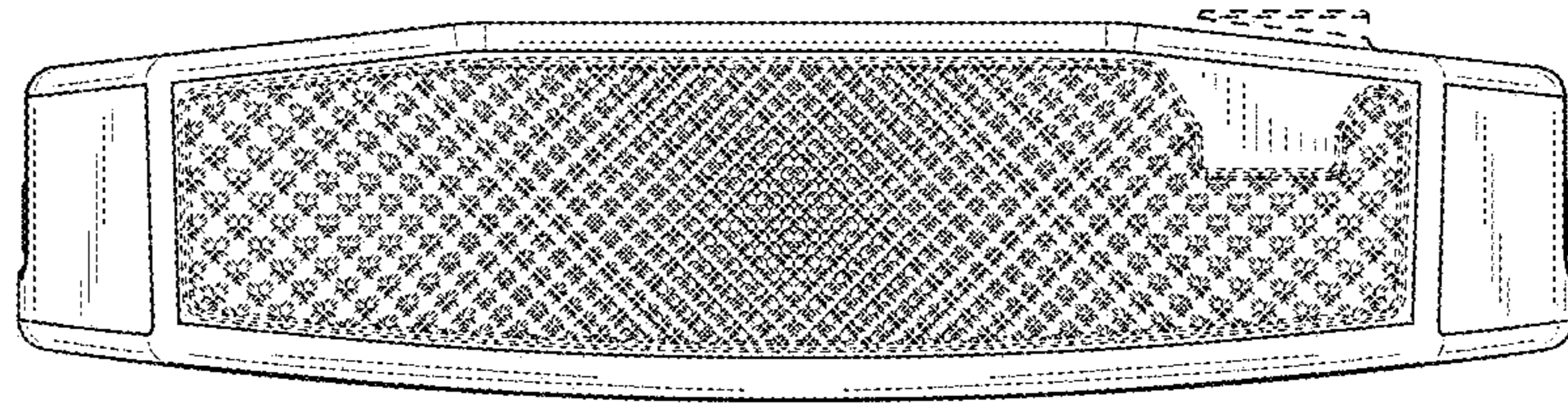


FIG. 19

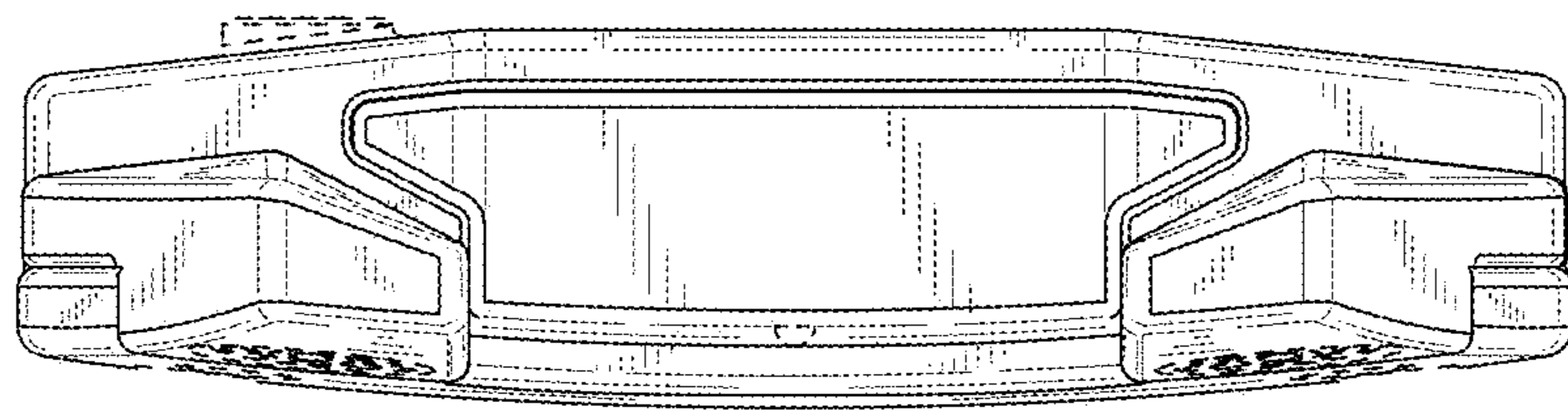


FIG. 20

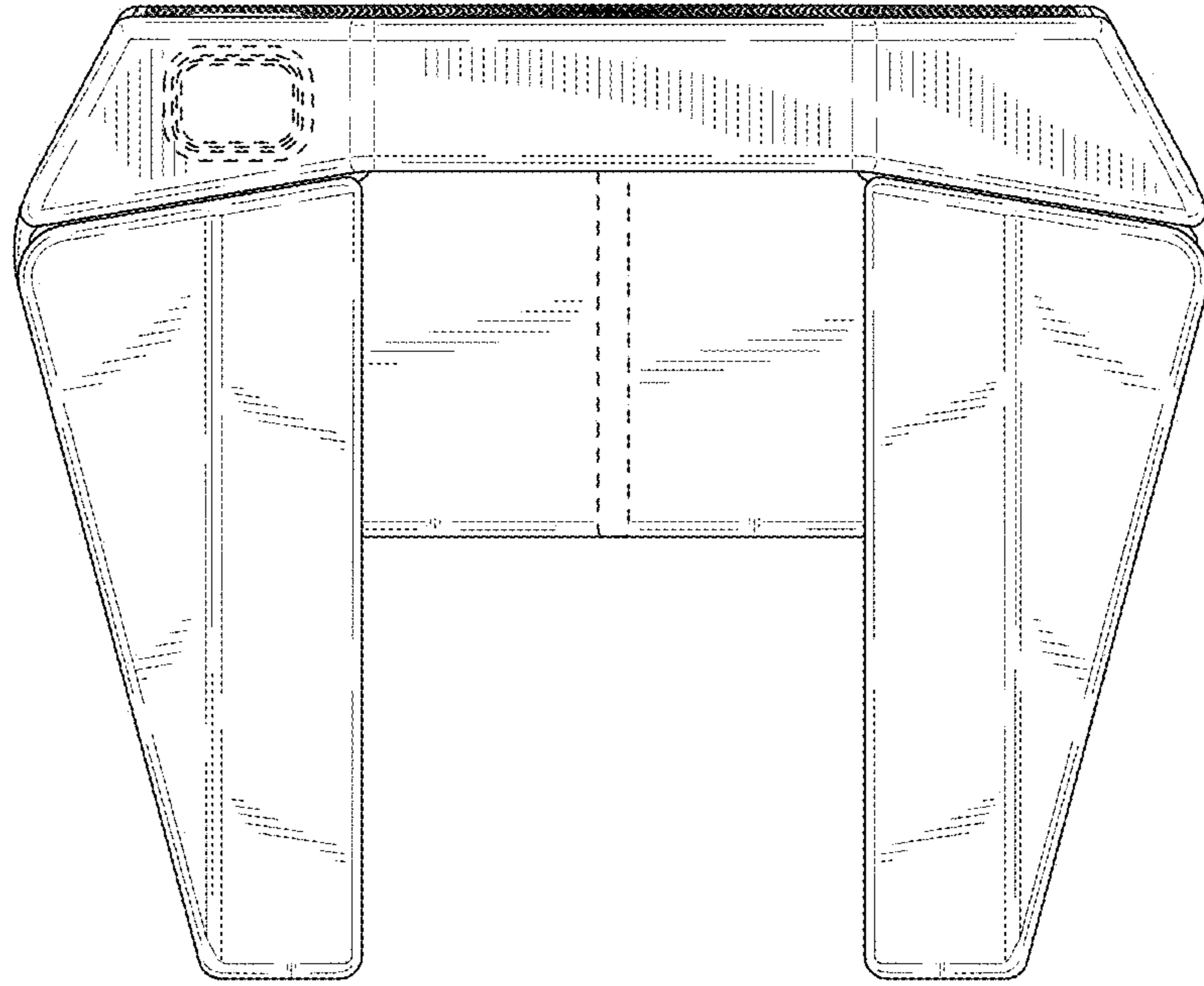


FIG. 21

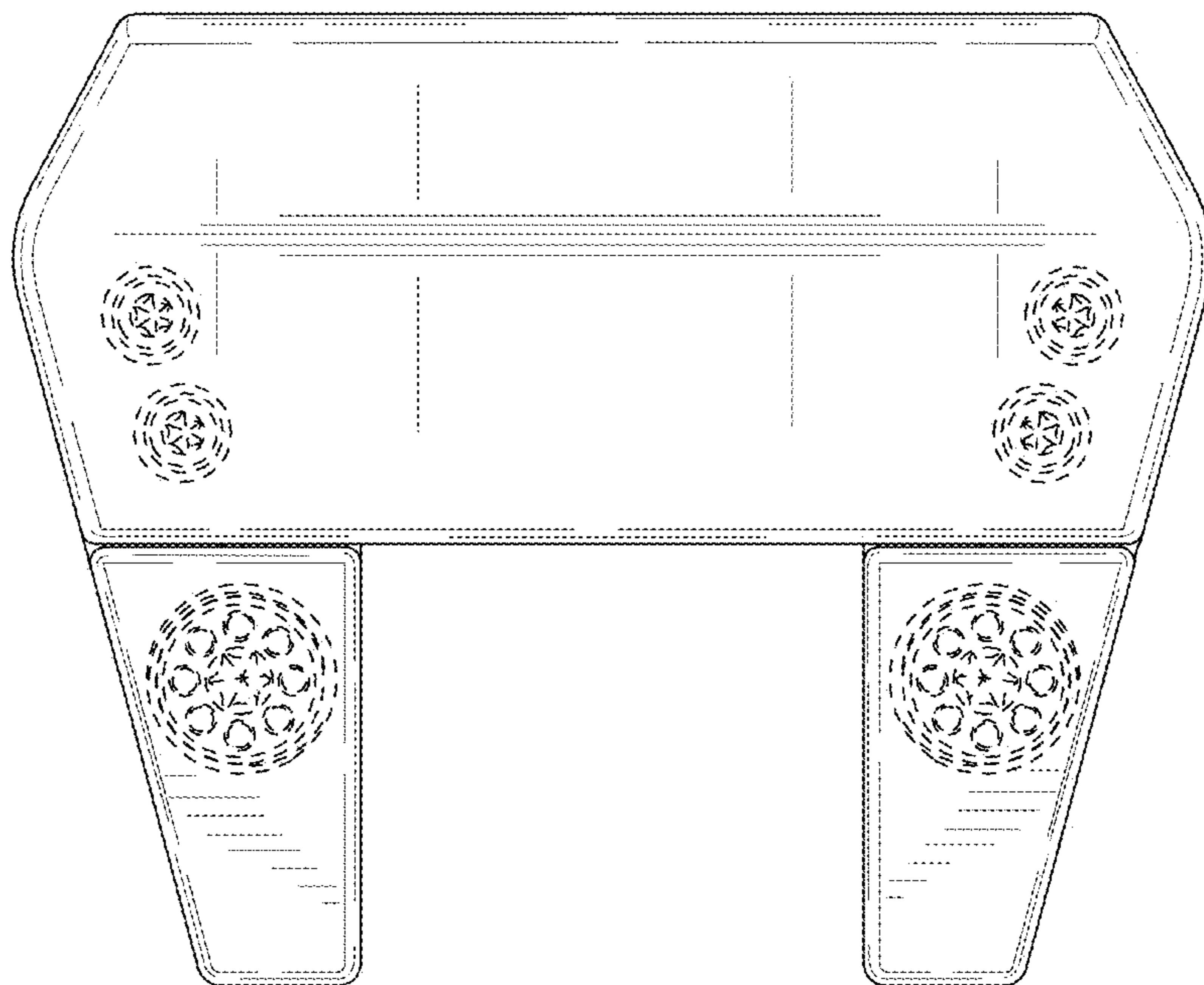


FIG. 22

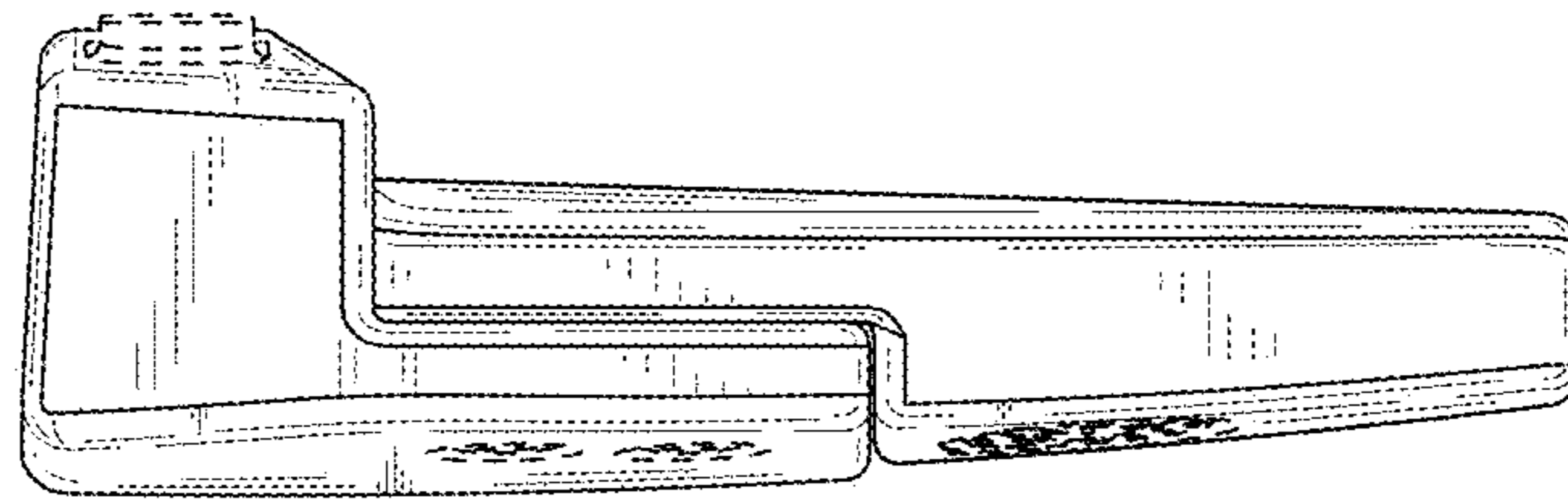


FIG. 23

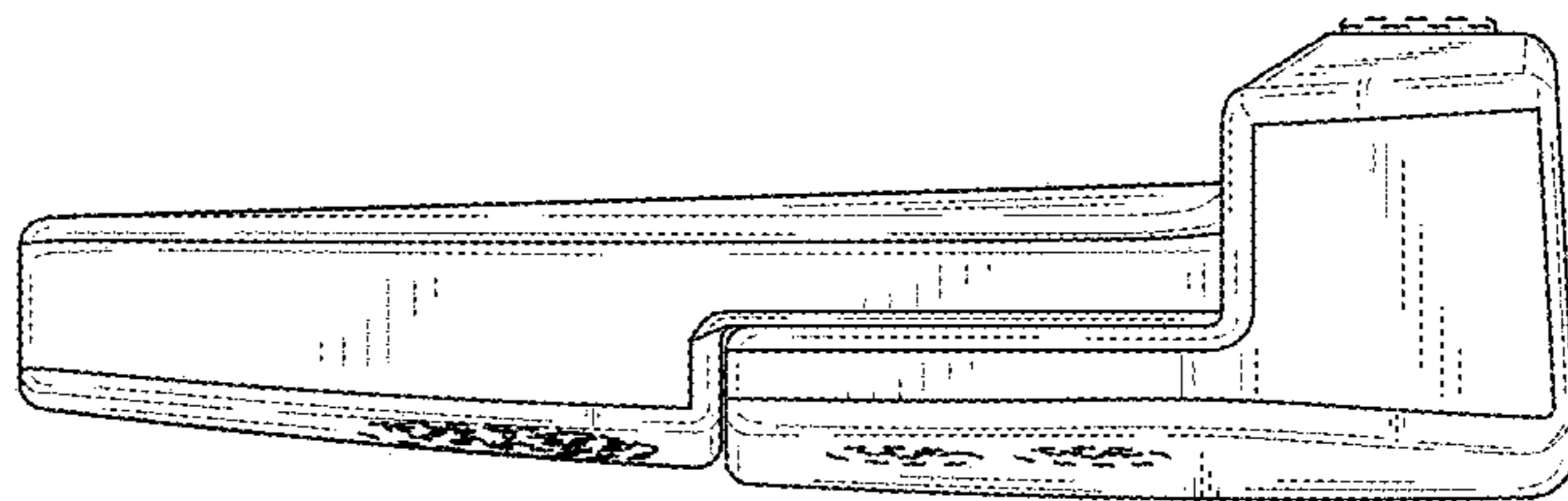


FIG. 24