



US0D1015440S

(12) **United States Design Patent** (10) **Patent No.:** **US D1,015,440 S**  
**Ma** (45) **Date of Patent:** **\*\* Feb. 20, 2024**

(54) **TOY**  
(71) Applicant: **Yangshun Ma**, Lishui (CN)  
(72) Inventor: **Yangshun Ma**, Lishui (CN)  
(\*\*) Term: **15 Years**  
(21) Appl. No.: **29/913,929**  
(22) Filed: **Oct. 11, 2023**

(30) **Foreign Application Priority Data**

Jun. 27, 2023 (CN) ..... 202330396408.5

(51) **LOC (14) Cl.** ..... **21-01**  
(52) **U.S. Cl.**  
USPC ..... **D21/468**; D21/615  
(58) **Field of Classification Search**  
USPC ..... D21/468, 587, 591-593, 596, 615,  
D21/621-625, 630, 631, 639, 658-661  
See application file for complete search history.

(56) **References Cited**

**U.S. PATENT DOCUMENTS**

D340,484 S	*	10/1993	Schetti	.....	D21/615
D349,530 S	*	8/1994	Pedersen	.....	D21/615
D353,164 S	*	12/1994	Meei-Lin	.....	D21/511
D423,612 S	*	4/2000	Tatopoulos	.....	D21/615
D478,362 S	*	8/2003	Nakase	.....	D21/578
D479,862 S	*	9/2003	Takahashi	.....	D21/578
D554,713 S	*	11/2007	Wong	.....	D21/578
D590,455 S	*	4/2009	Sato	.....	D21/584
D747,777 S	*	1/2016	Greenly	.....	D21/615
D762,271 S	*	7/2016	Chow	.....	D21/615
D785,724 S	*	5/2017	Morales	.....	D21/615
D870,215 S	*	12/2019	Ikoma	.....	D21/615
D871,516 S	*	12/2019	Katayama	.....	D21/615
D881,288 S	*	4/2020	Katayama	.....	D21/578
D883,403 S	*	5/2020	Chen	.....	D21/615
D886,917 S	*	6/2020	Ikoma	.....	D21/615

D904,529 S		12/2020	Sun	
D931,379 S		9/2021	Xu	
D957,536 S	*	7/2022	Zhang	..... D21/475
D963,758 S	*	9/2022	Xu	..... D21/475
D972,045 S	*	12/2022	Huang	..... D21/468
D982,673 S	*	4/2023	Chen	..... D21/475
D983,888 S	*	4/2023	Guo	..... D21/468
D986,344 S	*	5/2023	Chen	..... D21/475
D998,052 S	*	9/2023	Ye	..... D21/475

**OTHER PUBLICATIONS**

“Montessori Toys Toddler Busy Board” Aug. 6, 2023, site visited Oct. 31, 2023, Amazon.com: [https://www.amazon.com/Montessori-Dinosaur-Activities-Essential-Christmas/dp/B0CDCNP99S/\(Year:2023\).](https://www.amazon.com/Montessori-Dinosaur-Activities-Essential-Christmas/dp/B0CDCNP99S/(Year:2023).)\*

\* cited by examiner

*Primary Examiner* — Michael C Stout  
*Assistant Examiner* — Melvin L Davis  
(74) *Attorney, Agent, or Firm* — Jeenam Park

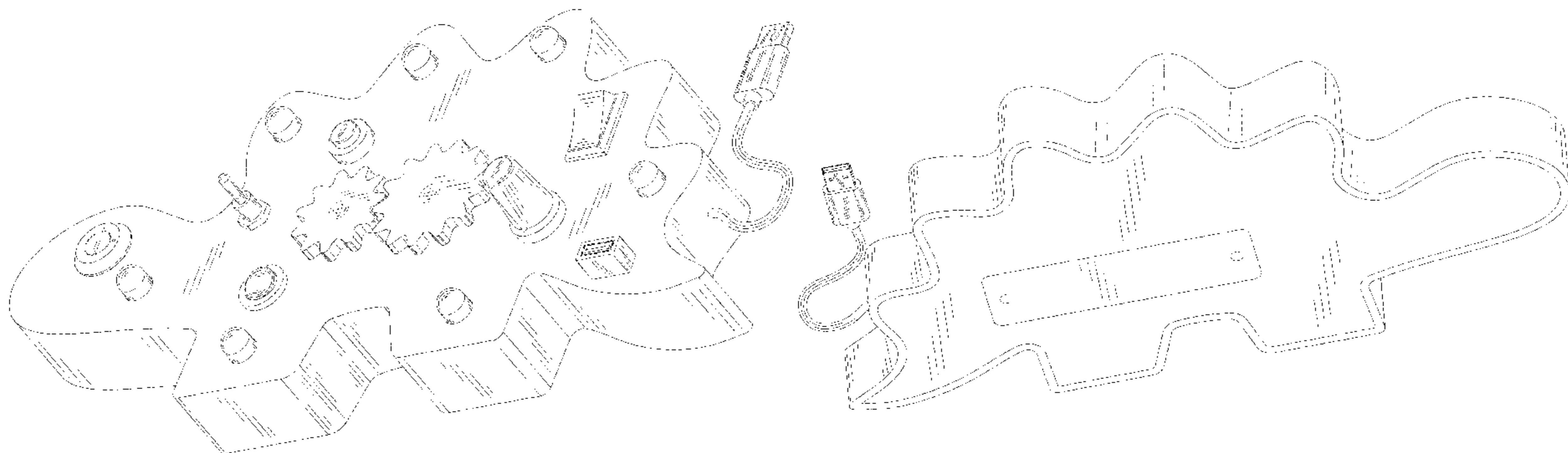
(57) **CLAIM**

The ornamental design for a toy, as shown and described.

**DESCRIPTION**

FIG. 1 is a front, right and bottom perspective view of a toy, showing my new design;  
FIG. 2 is a rear, left and bottom perspective view thereof;  
FIG. 3 is a front view thereof;  
FIG. 4 is a rear view thereof;  
FIG. 5 is a top plan view thereof;  
FIG. 6 is a bottom plan view thereof;  
FIG. 7 is a right side view thereof; and,  
FIG. 8 is a left side view thereof.  
The broken lines shown in the drawings illustrate portions of the toy that form no part of the claimed design.

**1 Claim, 8 Drawing Sheets**



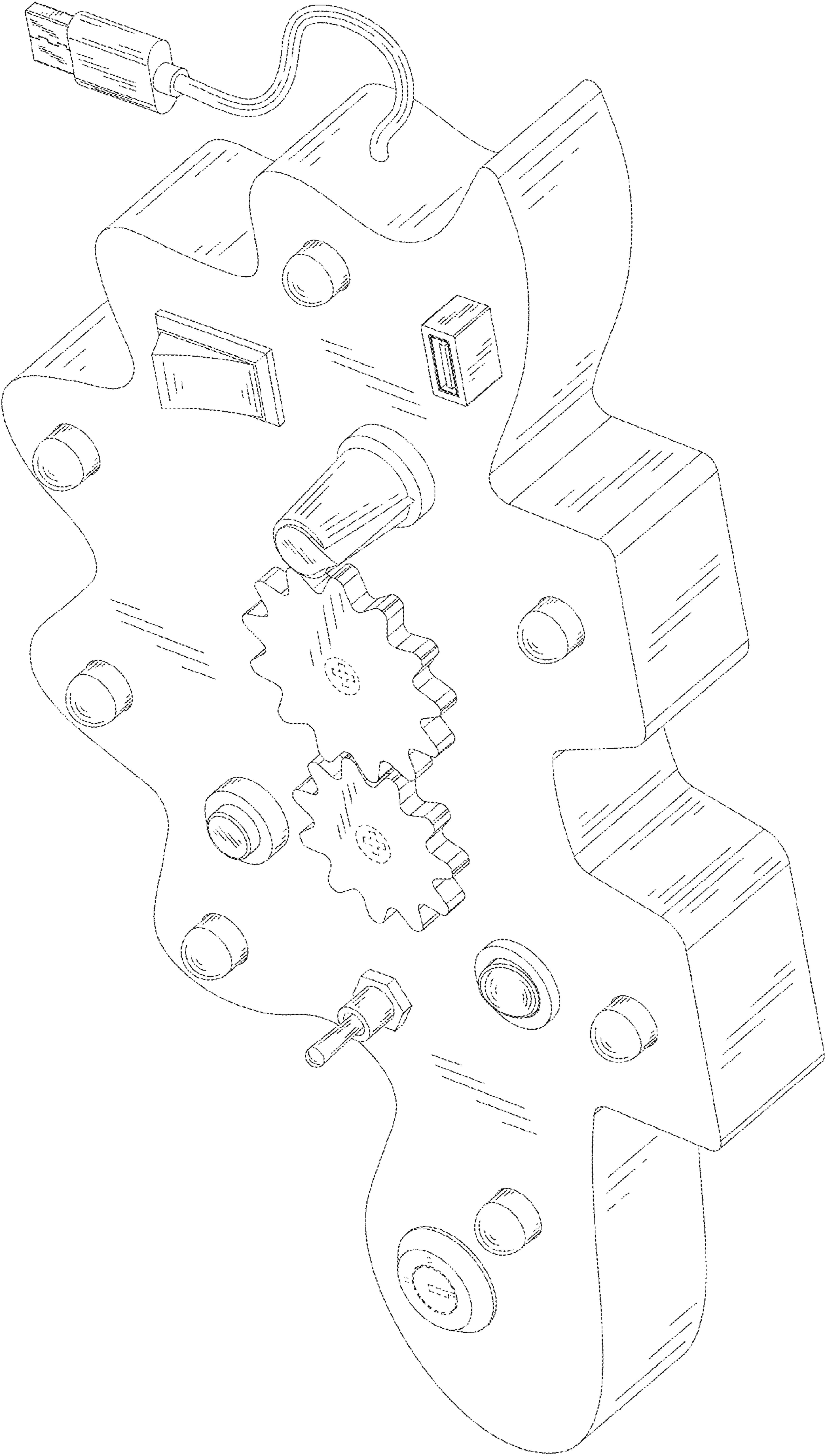


FIG. 1

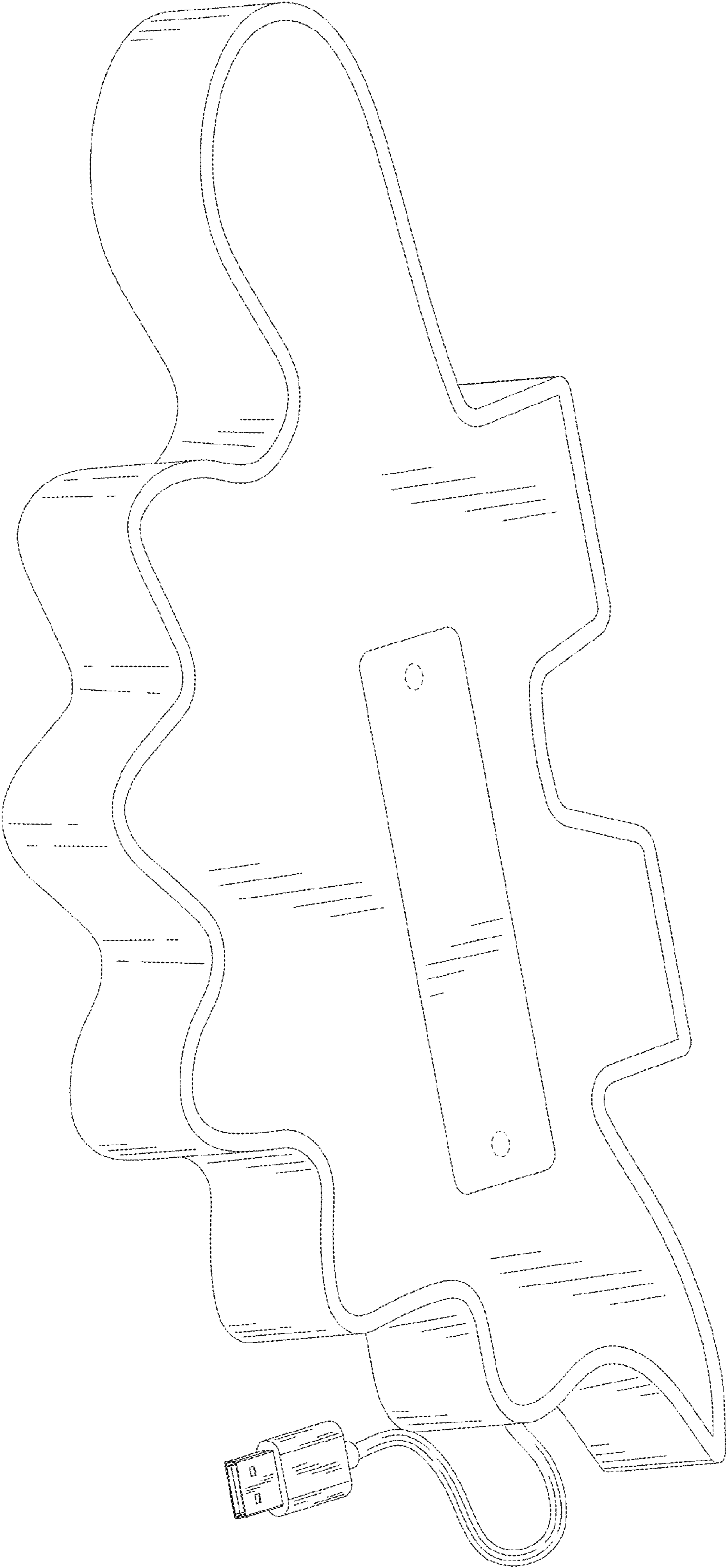


FIG. 2

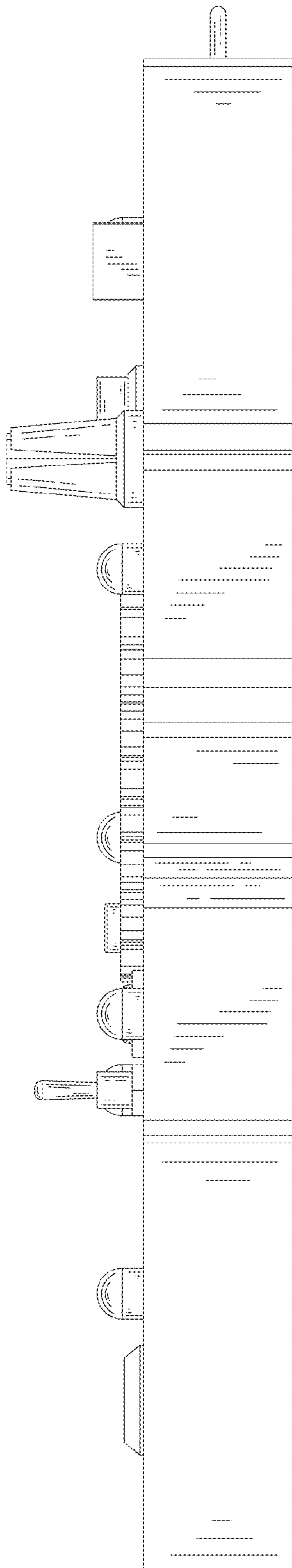


FIG. 3

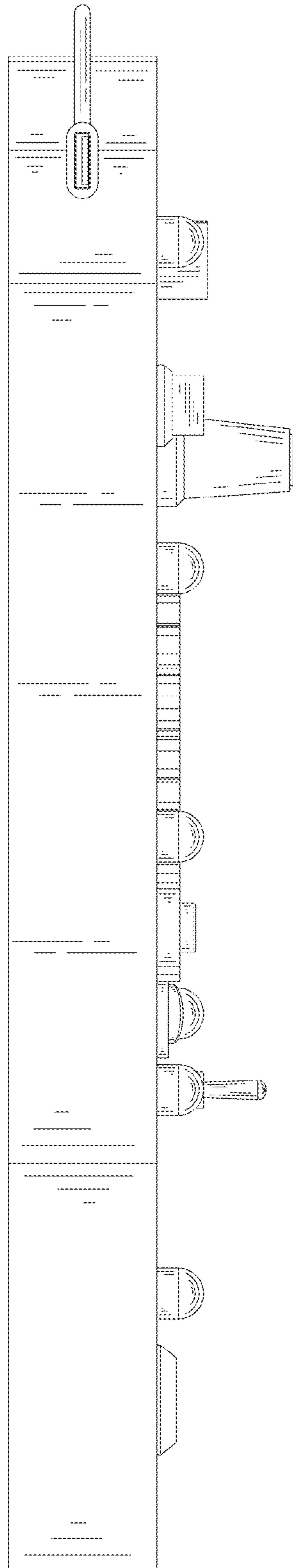


FIG. 4

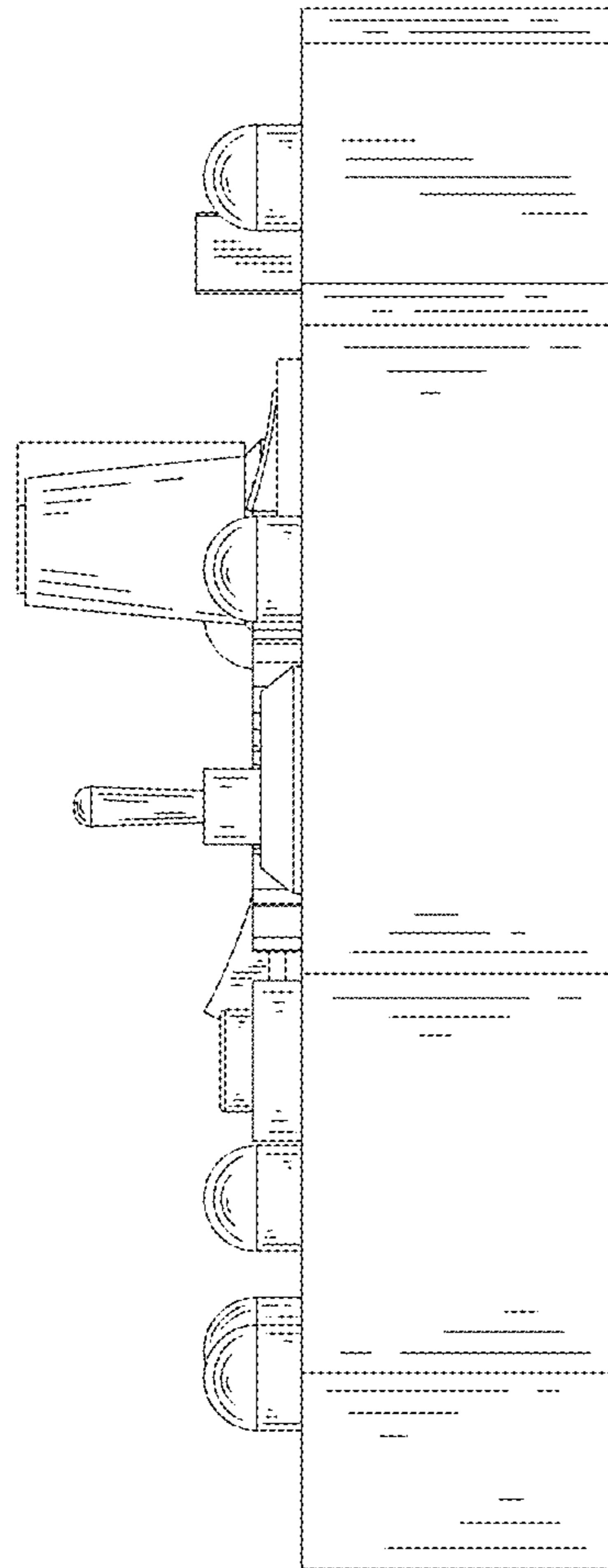


FIG. 5

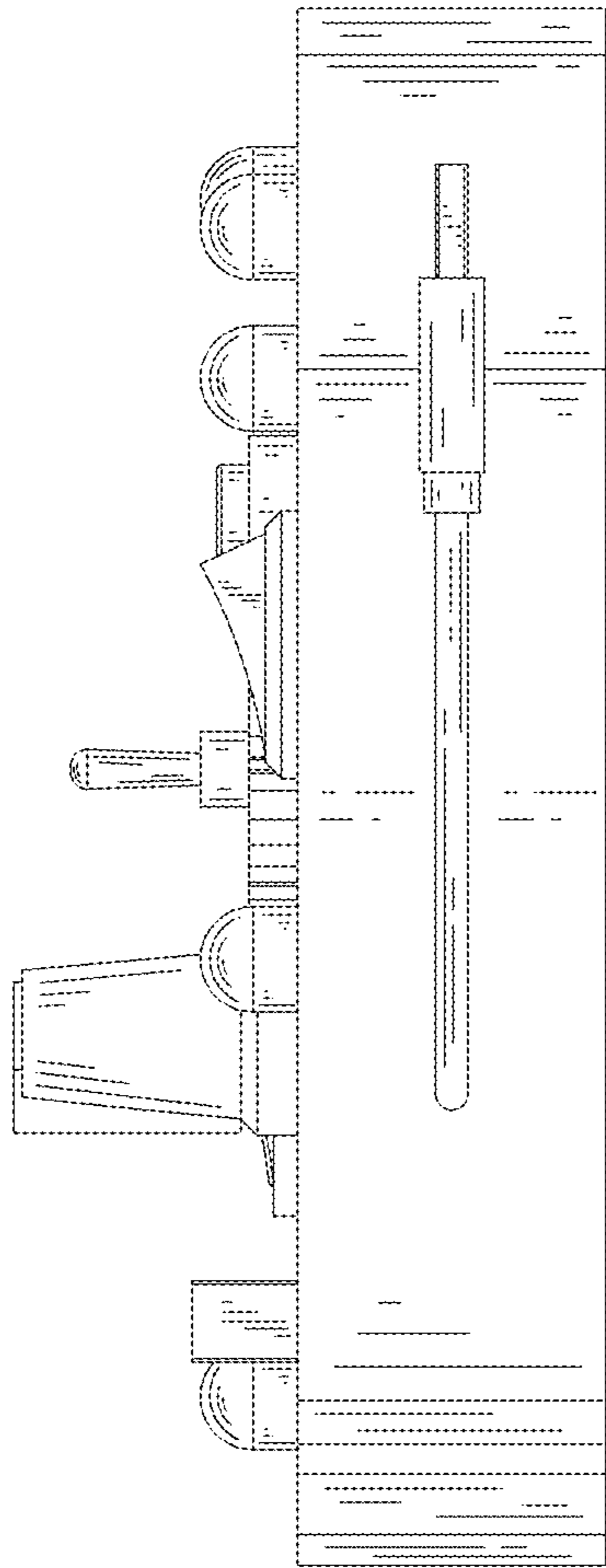


FIG. 6

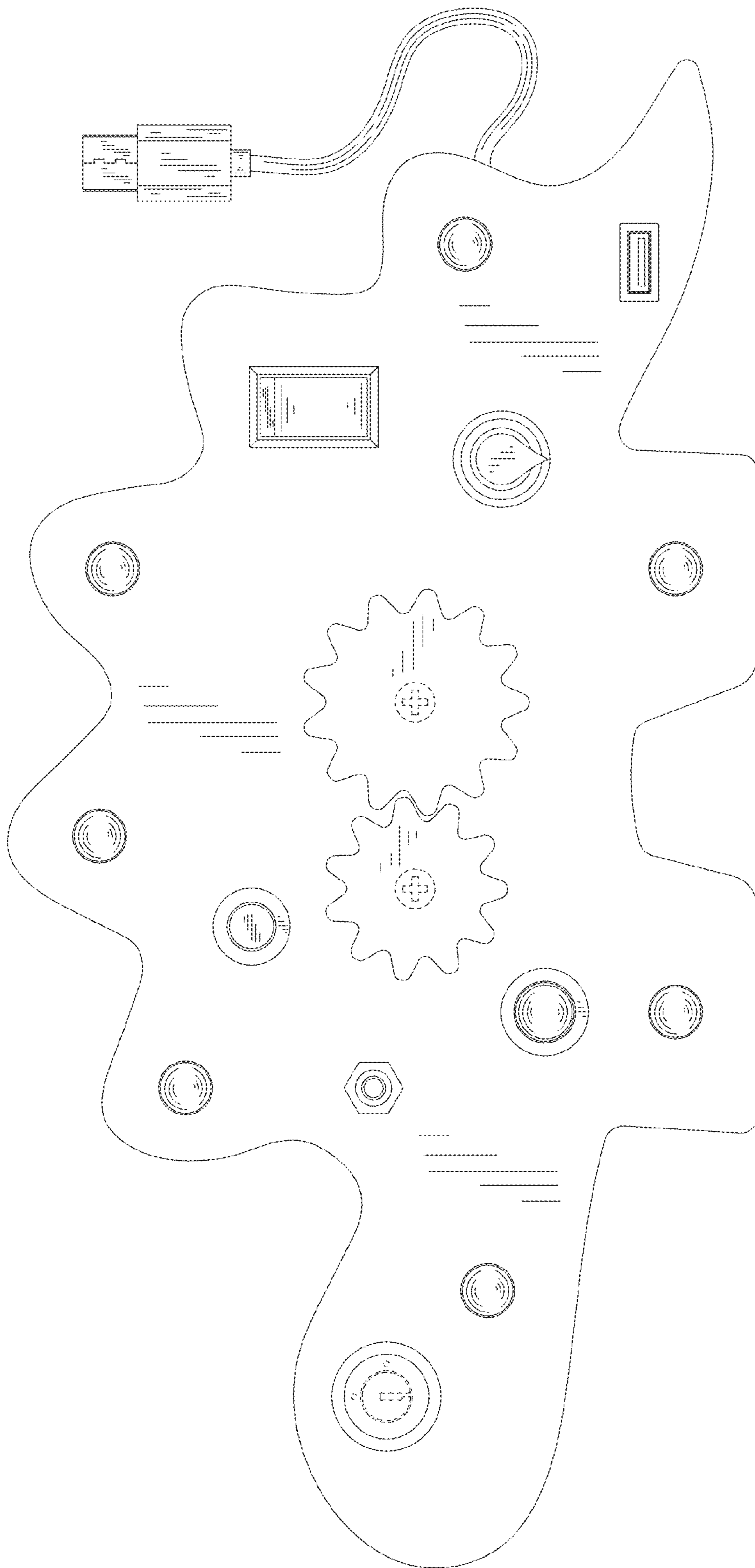


FIG. 7



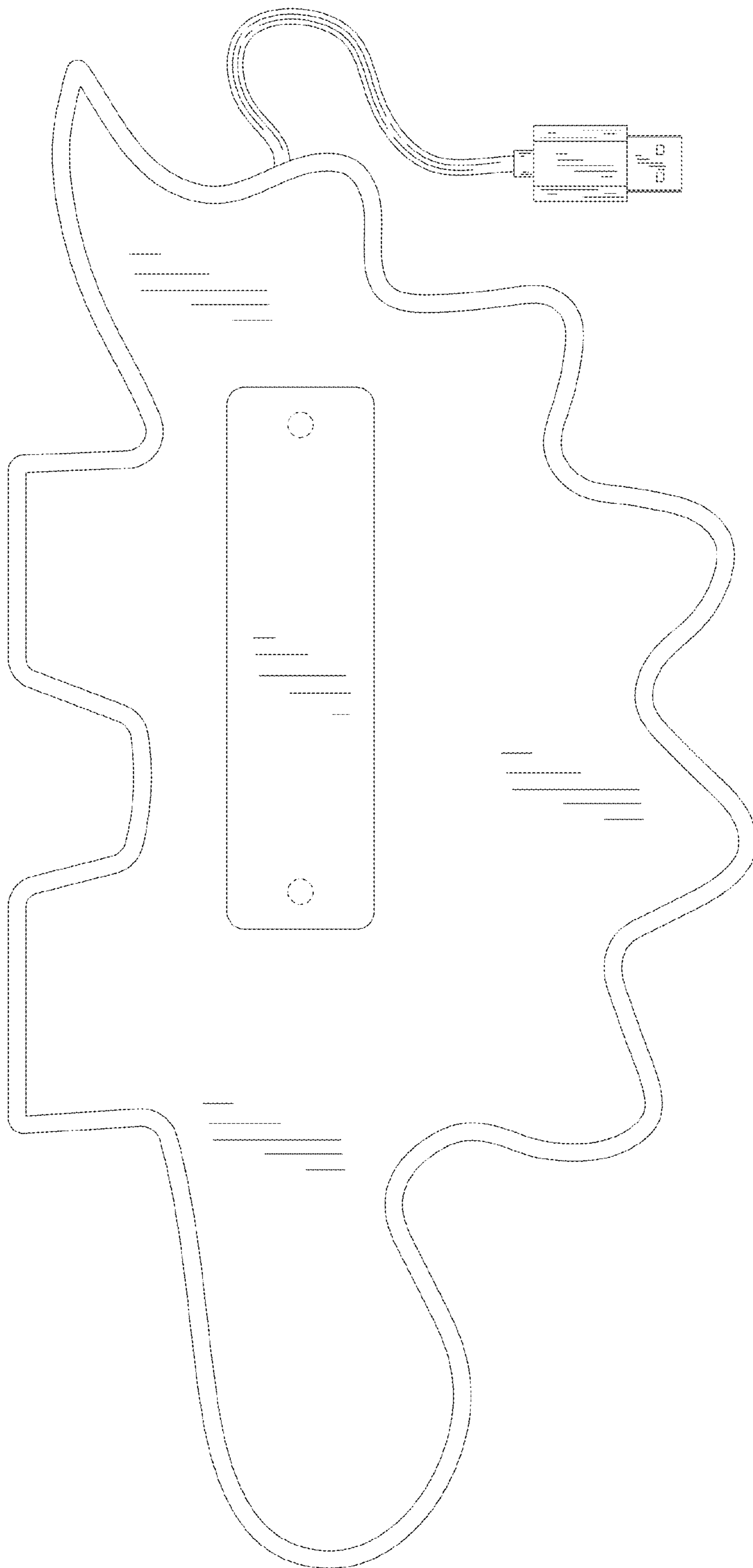


FIG. 8