



US0D1015188S

(12) **United States Design Patent** (10) **Patent No.:** **US D1,015,188 S**
Dai (45) **Date of Patent:** **** Feb. 20, 2024**

(54) **WATCH STRAP**

FOREIGN PATENT DOCUMENTS

(71) Applicant: **Weiming Dai**, Haifeng County (CN)

GB 6124788 * 3/2021
KR 301119795.0000 * 7/2021

(72) Inventor: **Weiming Dai**, Haifeng County (CN)

OTHER PUBLICATIONS

(**) Term: **15 Years**

Samsung Silicone Watch Band Strap amazon pp. 1-6 2021 https://www.amazon.com/Samsung-Silicone-Medium-Classic-Version/dp/B099LYLGVZ/ref=asc_df_B099LYLGVZ/? (Year: 2021).*

(21) Appl. No.: **29/802,748**

* cited by examiner

(22) Filed: **Aug. 7, 2021**

(51) **LOC (14) Cl.** **11-01**

Primary Examiner — Kevin K Rudzinski
Assistant Examiner — Evans David Delesline

(52) **U.S. Cl.**
USPC **D11/3**

(57) **CLAIM**

The ornamental design for a watch strap, as shown and described.

(58) **Field of Classification Search**
USPC D11/1-5; D10/32
CPC A44C 5/0053
See application file for complete search history.

DESCRIPTION

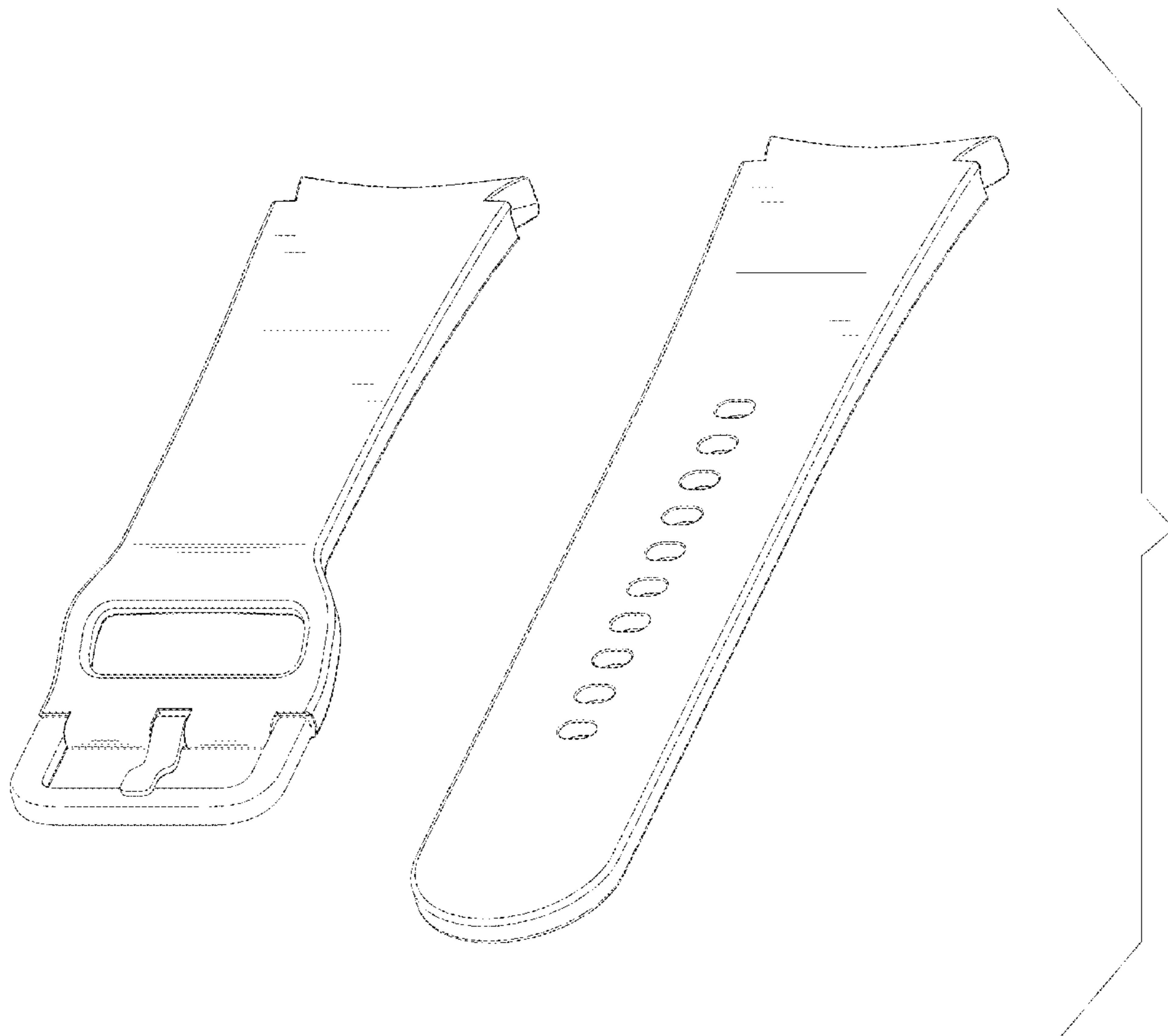
FIG. 1 is a front, top perspective view of a watch strap showing my new design;
FIG. 2 is a rear, bottom perspective view thereof;
FIG. 3 is a front elevation view thereof;
FIG. 4 is a rear elevation view thereof;
FIG. 5 is a left side elevation view thereof;
FIG. 6 is a right side elevation view thereof;
FIG. 7 is a top plan view thereof; and,
FIG. 8 is a bottom plan view thereof.
The broken lines shown in the drawings illustrate portions of the watch strap and form no part of the claimed design.

(56) **References Cited**

U.S. PATENT DOCUMENTS

D401,181 S	*	11/1998	Houlihan	D11/3
D729,681 S	*	5/2015	Lee	D14/344
D820,713 S	*	6/2018	Oh	D11/3
D904,921 S	*	12/2020	Chung	D14/344
D911,205 S	*	2/2021	Chung	D11/3
D963,504 S	*	9/2022	Yu	D11/3
D995,342 S	*	8/2023	Wang	D11/3

1 Claim, 8 Drawing Sheets



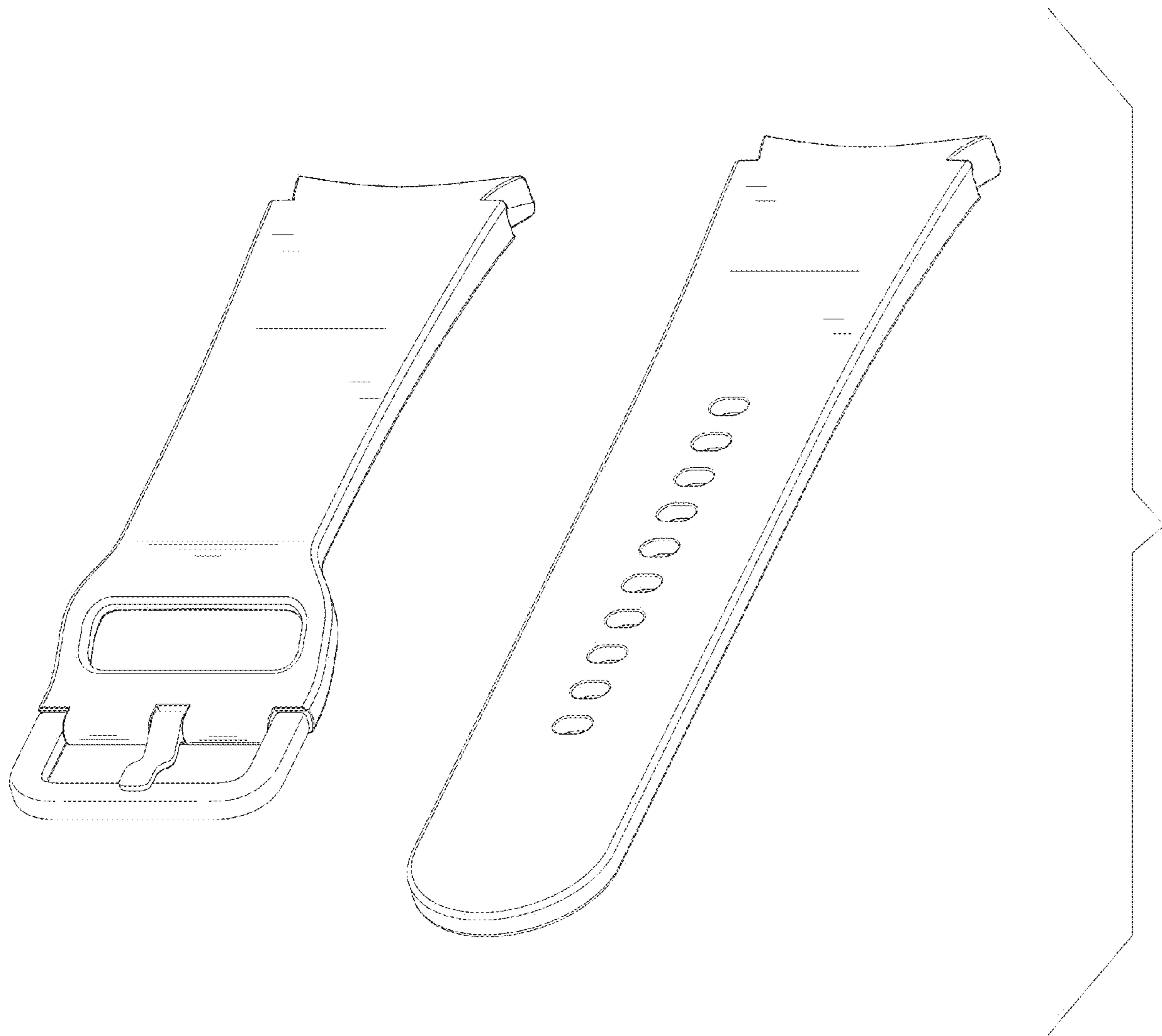


FIG. 1

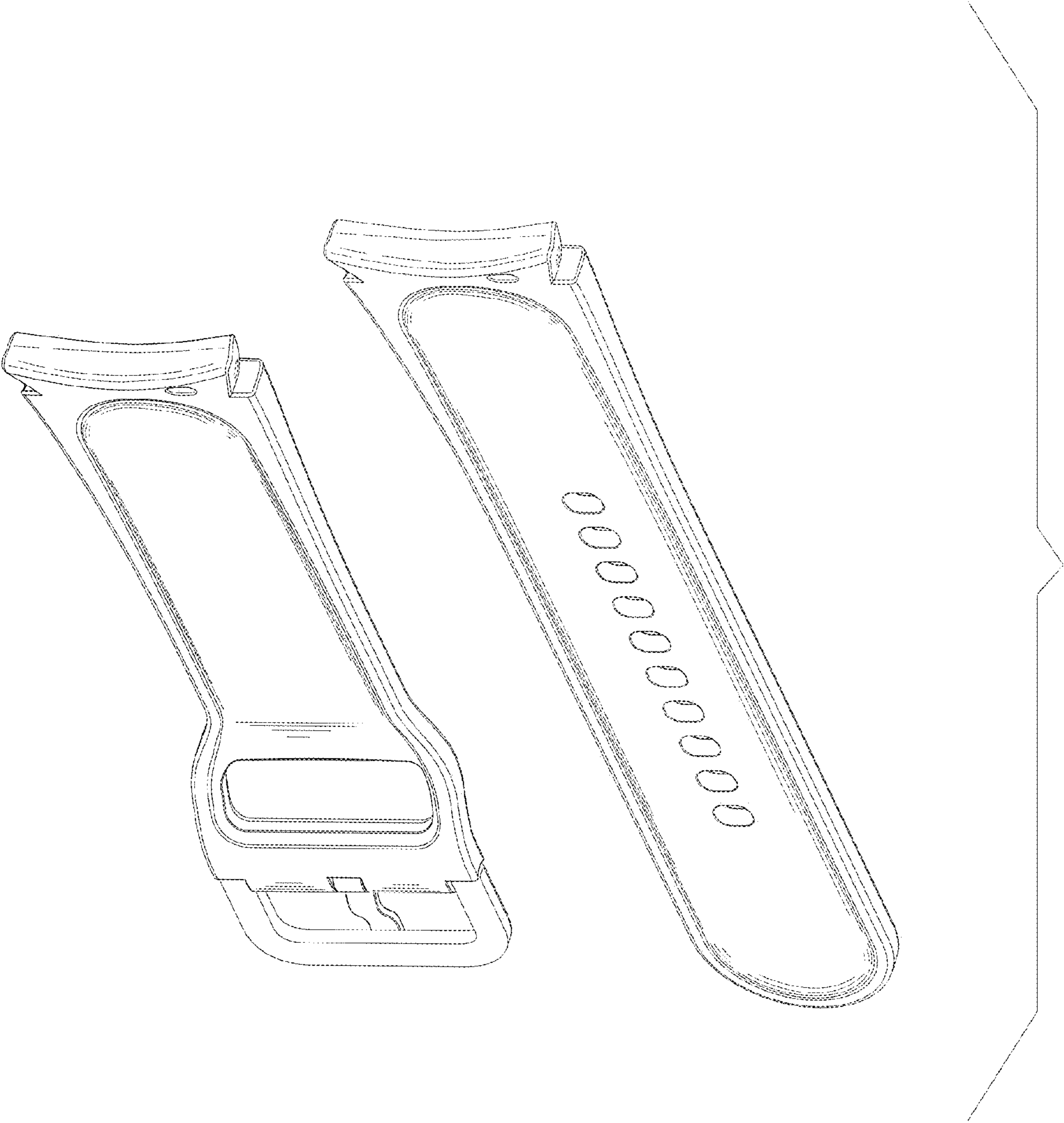


FIG. 2

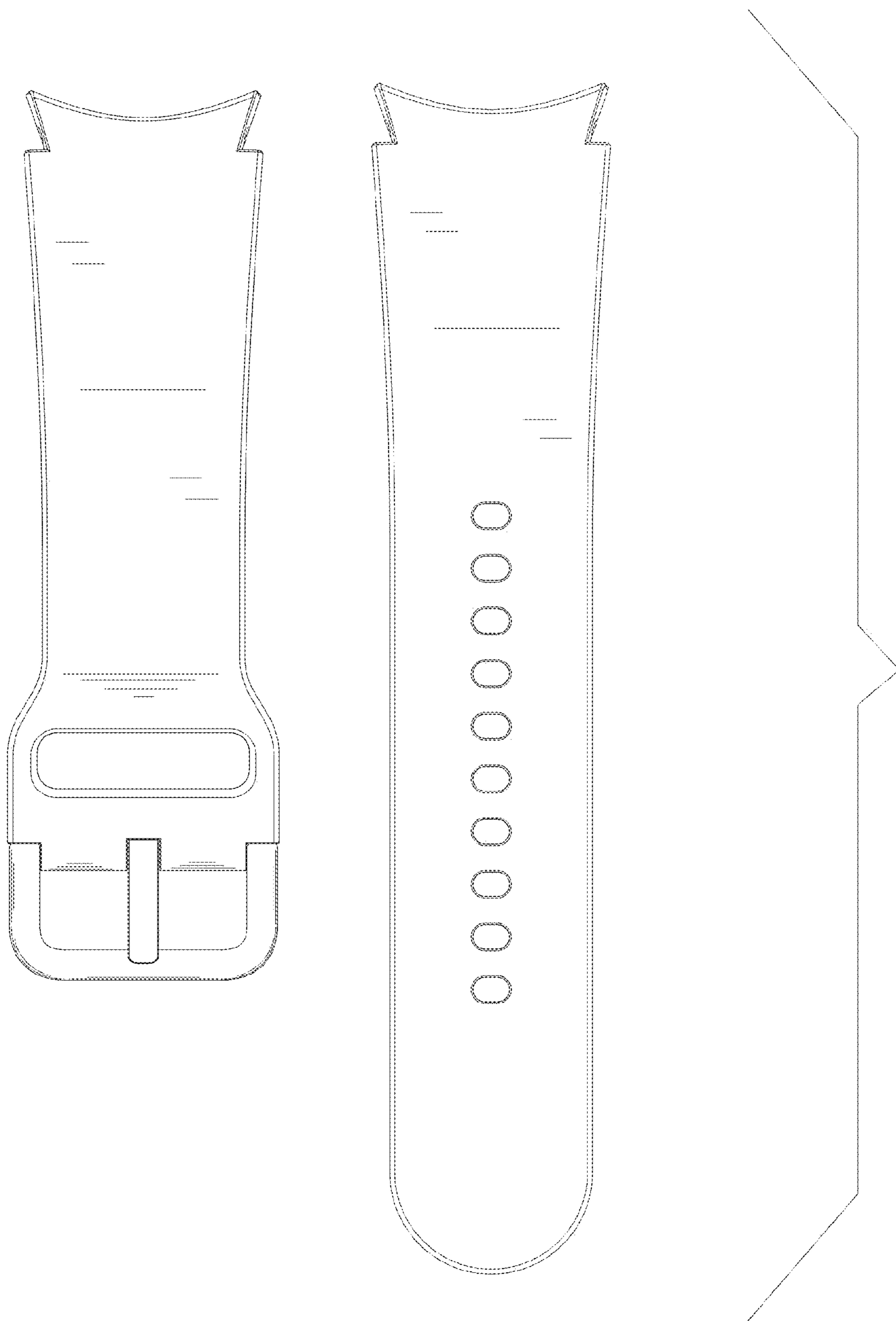


FIG. 3

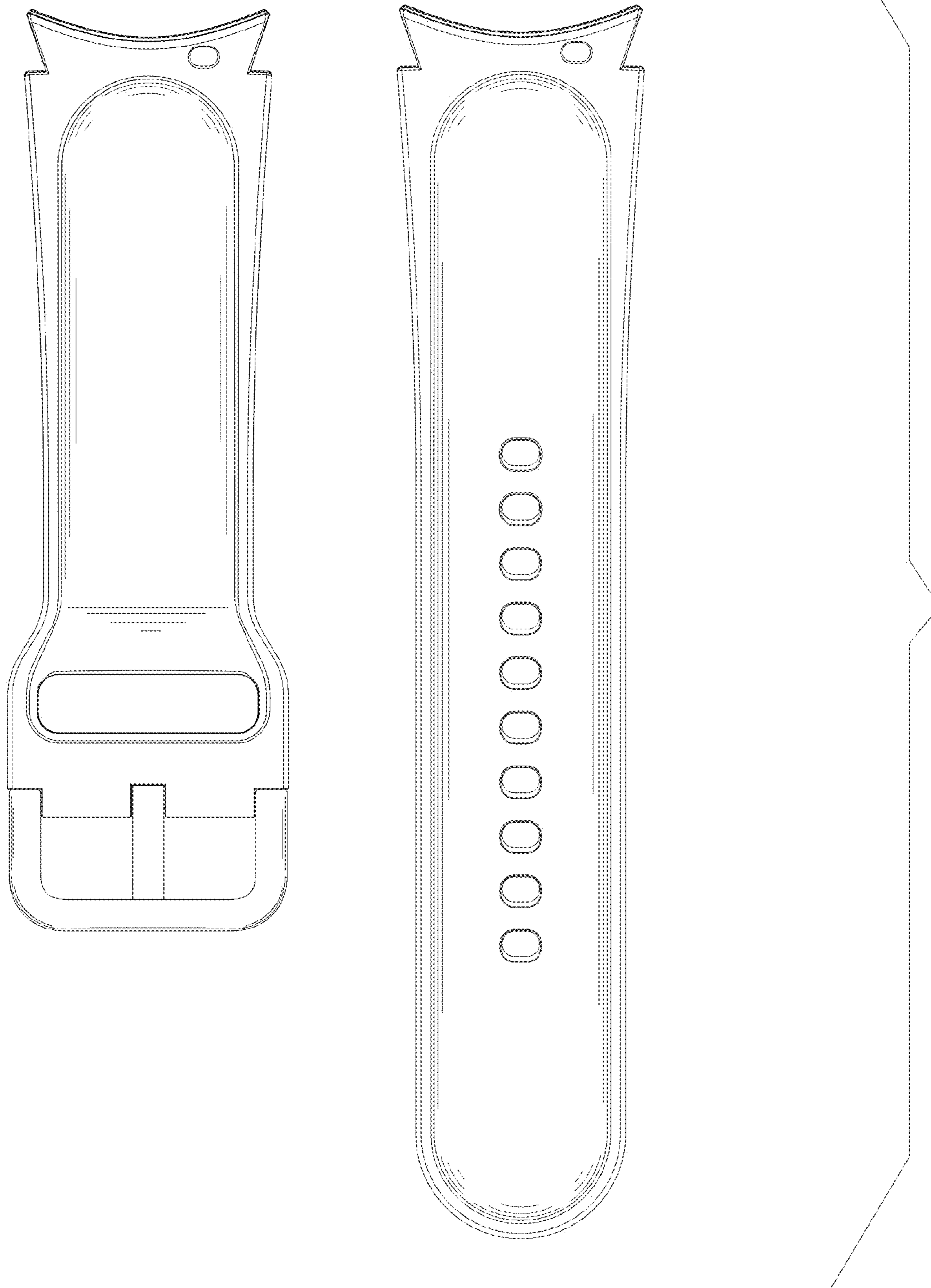


FIG. 4

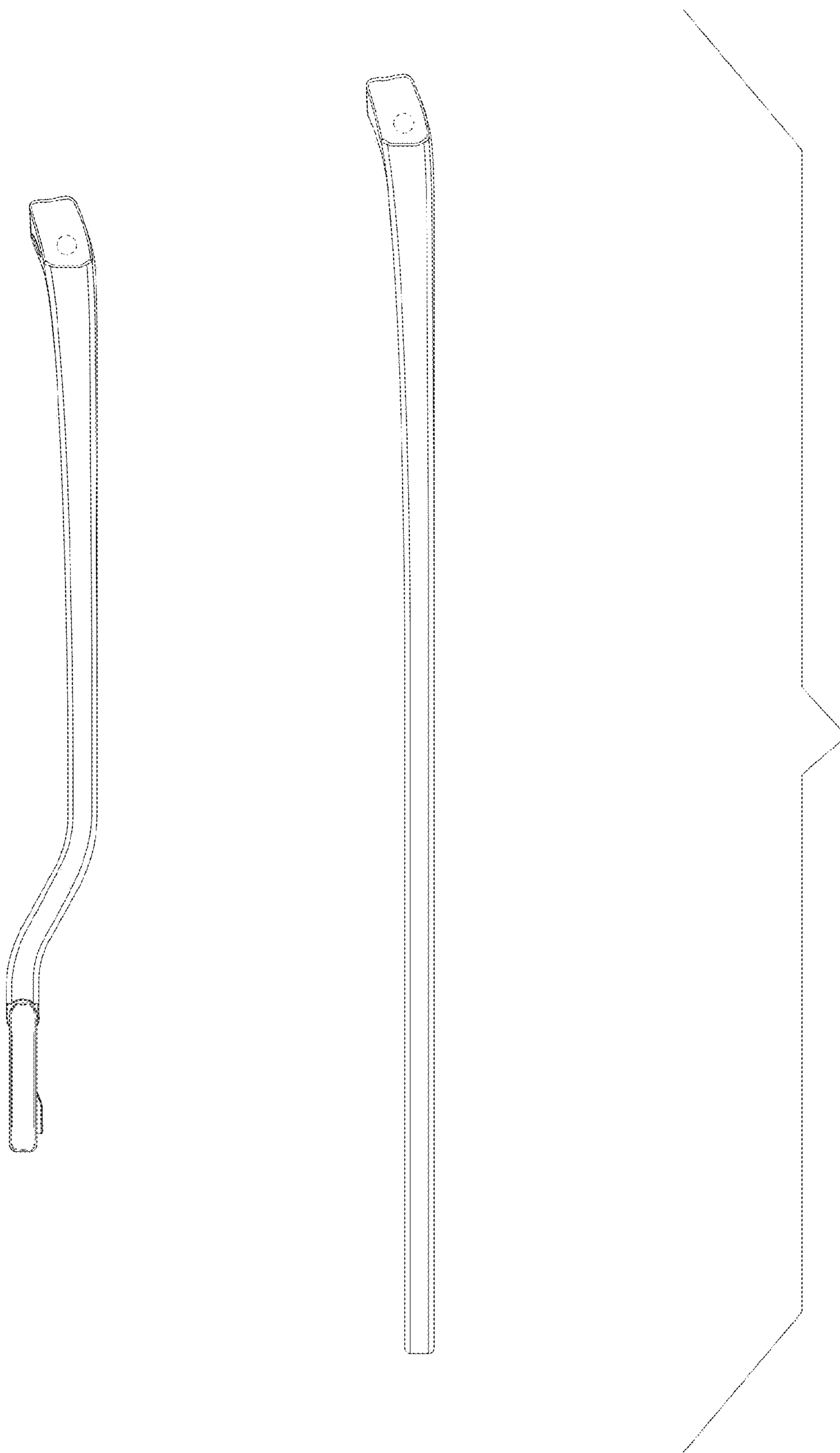


FIG. 5

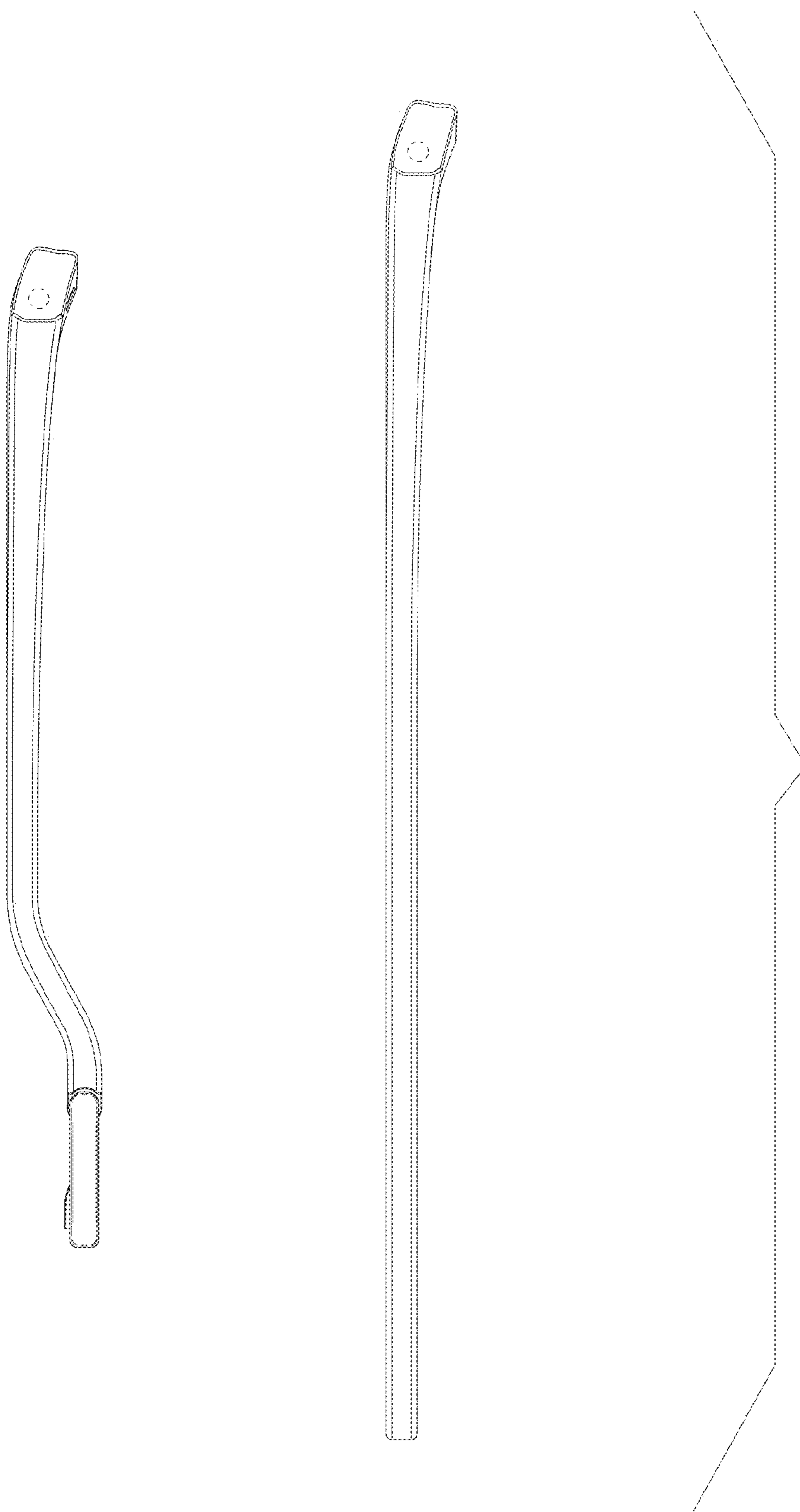


FIG. 6

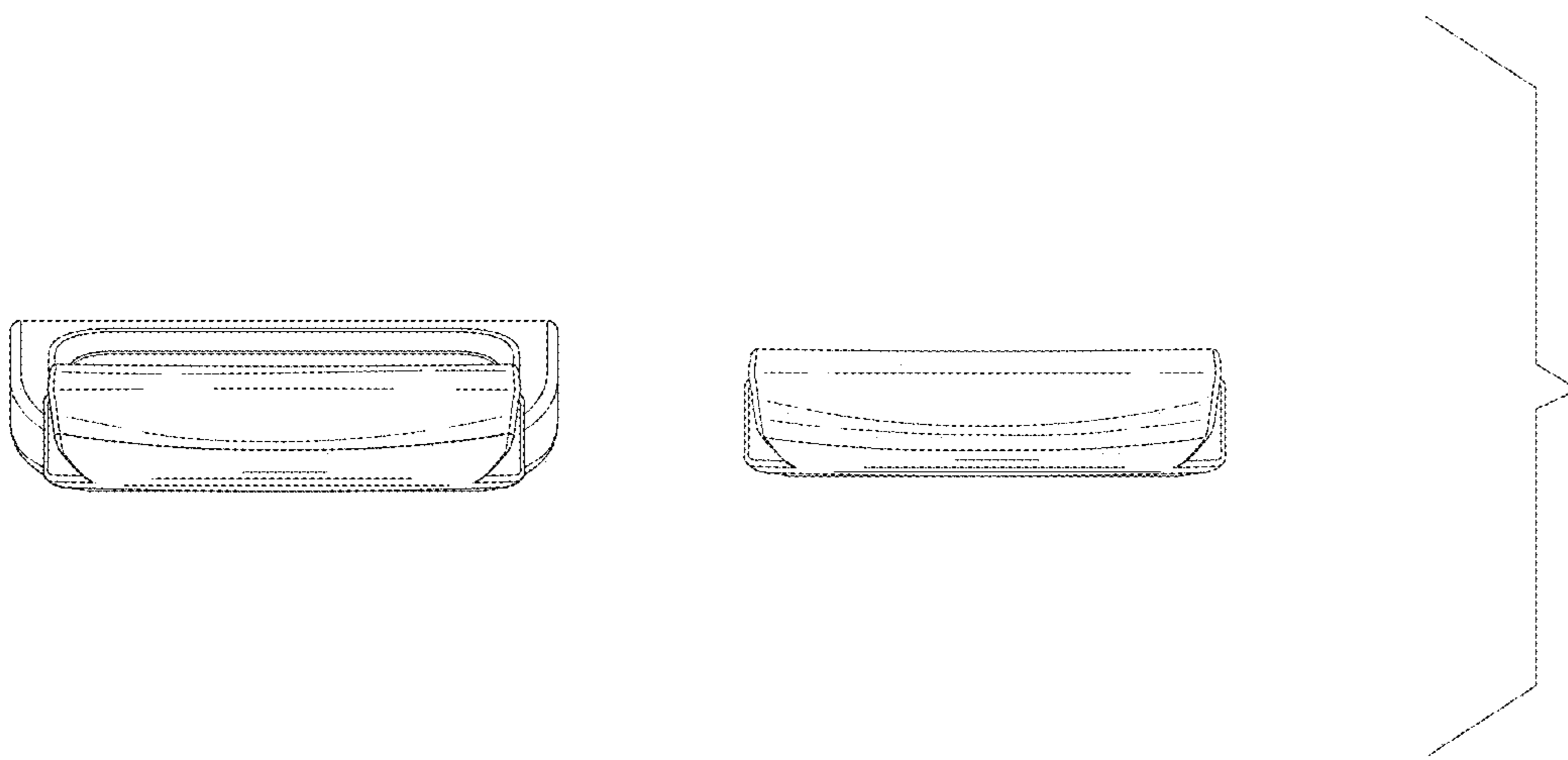


FIG. 7

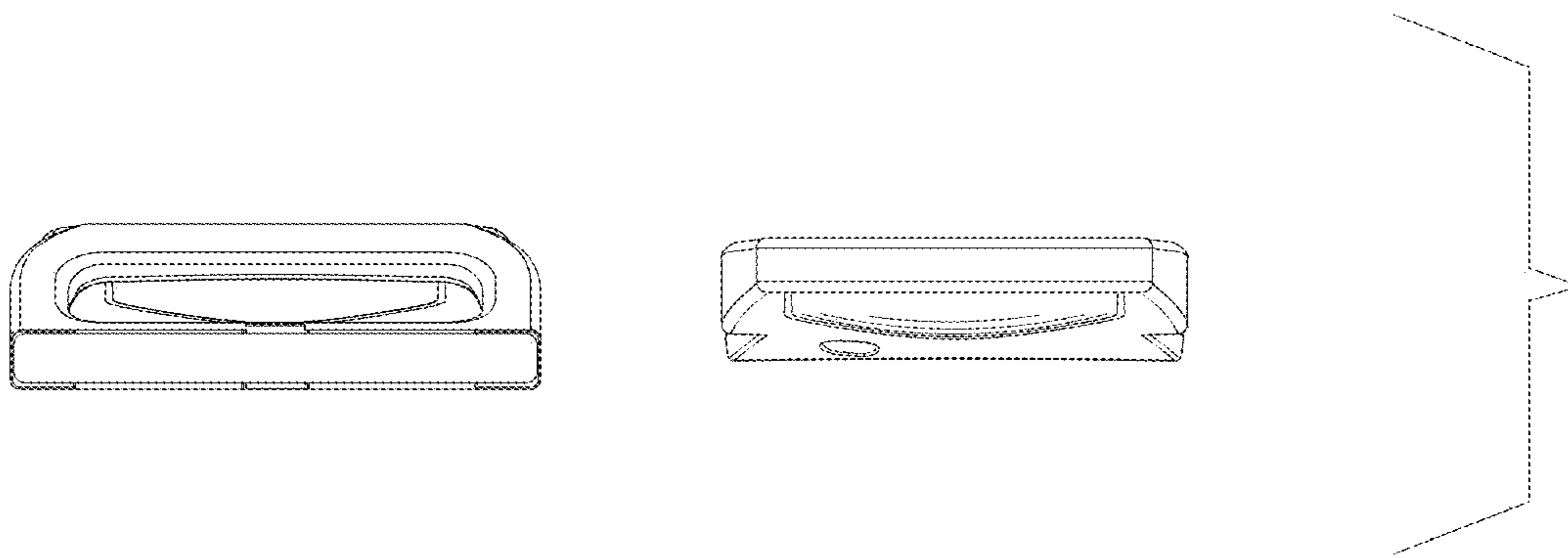


FIG. 8