



US0D1015177S

(12) **United States Design Patent** (10) **Patent No.: US D1,015,177 S**
Gajardo Munoz (45) **Date of Patent: ** Feb. 20, 2024**

(54) **HANDHELD POOL GAME CLOCK APPARATUS**

(71) Applicant: **Daniel Andres Gajardo Munoz**,
Geneva, IL (US)

(72) Inventor: **Daniel Andres Gajardo Munoz**,
Geneva, IL (US)

(**) Term: **15 Years**

(21) Appl. No.: **29/814,120**

(22) Filed: **Nov. 3, 2021**

Related U.S. Application Data

(63) Continuation-in-part of application No. 17/402,412,
filed on Aug. 13, 2021.

(51) **LOC (14) Cl.** **10-21**

(52) **U.S. Cl.**
USPC **D10/46.1; D10/40**

(58) **Field of Classification Search**
USPC D10/78, 782, 46.1, 40; D21/472, 531,
D21/324, 385, 363, 499, 395, 386, 329,
D21/713-714, 726, 473, 782; D13/137.1,
D13/137.2, 137.3

CPC G04F 1/00; G04F 1/06; G04F 7/06; G04F
3/00; G04F 8/00; B65D 1/22; B65D 1/42;
A01G 25/165

See application file for complete search history.

(56) **References Cited**

U.S. PATENT DOCUMENTS

- 3,554,384 A * 1/1971 DeNatale A47B 87/0276
220/23.6
- D222,484 S * 10/1971 Cohen 273/288
- D446,826 S * 8/2001 Dunn D21/499
- D544,371 S * 6/2007 Bhavnani D10/2
- D583,799 S * 12/2008 Owens D10/2
- D600,287 S * 9/2009 Oikawa D21/324
- D622,959 S * 9/2010 Zalewski D3/273
- D628,091 S * 11/2010 Bulsink D10/14

(Continued)

FOREIGN PATENT DOCUMENTS

- ES 2725615 A1 9/2019
- KR 20210055243 5/2021

OTHER PUBLICATIONS

Shot Clock for Poker | ebay.com; date last updated Oct. 12, 2022
[online]. © 1995-2023 eBay Inc. [retrieved Aug. 7, 2023] from
Internet: <https://www.ebay.com/fdbk/feedback_profile/zhenxunyu_
0?filter=feedback_page%3ARECEIVED_AS_SELLER&sort=
TIME> (Year: 2022).*

(Continued)

Primary Examiner — Katherine Glennon

Assistant Examiner — Molly Loch

(57) **CLAIM**

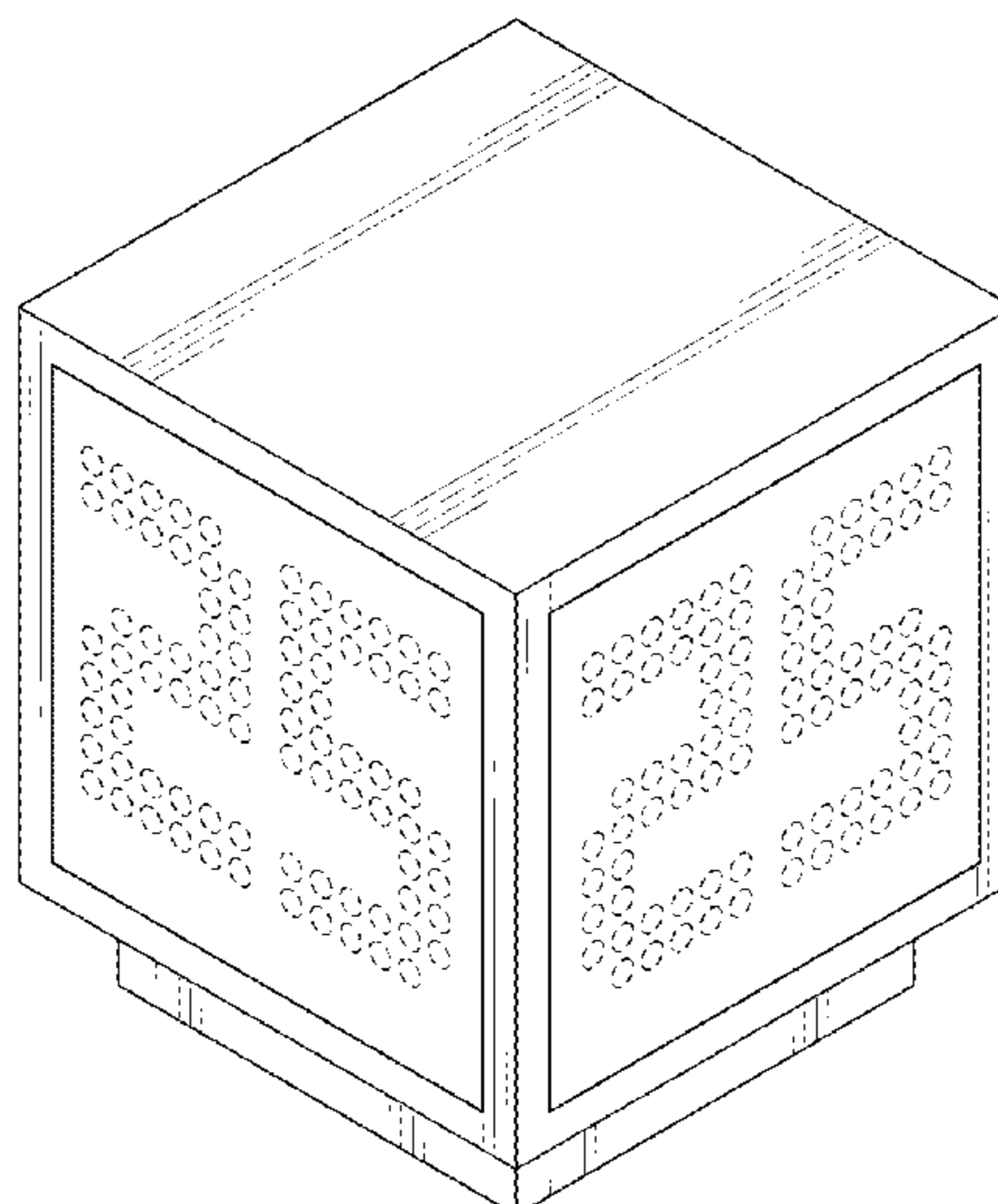
The ornamental design for a handheld pool game clock
apparatus, as shown and described.

DESCRIPTION

FIG. 1 is a front-top perspective view of a handheld pool
game clock apparatus showing my new design;
FIG. 2 is a front-bottom perspective view thereof;
FIG. 3 is a front elevational view thereof, where the rear,
left, and right elevational views are identical thereto;
FIG. 4 is a top plan view thereof;
FIG. 5 is a bottom plan view thereof; and,
FIG. 6 is another perspective view thereof, shown in an
environment of use.

The numbers “25” outline by broken lines in the view of
FIG. 6 depicts environment structure associated with the
handheld pool game clock apparatus as shown in use and
forms no part of the claimed design. The broken line along
the bottom of the handheld pool game clock apparatus in the
views of FIGS. 2 and 5 depict features of the article that
form no part of the claimed design.

1 Claim, 6 Drawing Sheets



(56)

References Cited

U.S. PATENT DOCUMENTS

D645,468 S * 9/2011 Skulina D21/324
8,992,315 B2 3/2015 Lundback et al.
D754,102 S * 4/2016 Sun D14/214
D833,543 S * 11/2018 Semling D21/501
2008/0182675 A1 7/2008 Flores
2009/0131186 A1 5/2009 Martin
2012/0256373 A1 10/2012 Tam
2020/0319602 A1* 10/2020 Ogura G04G 21/02

OTHER PUBLICATIONS

Tvcmall, Chess Clock Timer Clock Game Timer Chess Digital
Timer Board Game Clock, tvc-mall.com, Jul. 2021.
Memphisto, Chess Game Clock II Digital Game Timer, ebay.com,
Jan. 2012.
Fliptimer, Digital Game Timer, ebay.com, Jun. 2021.

* cited by examiner

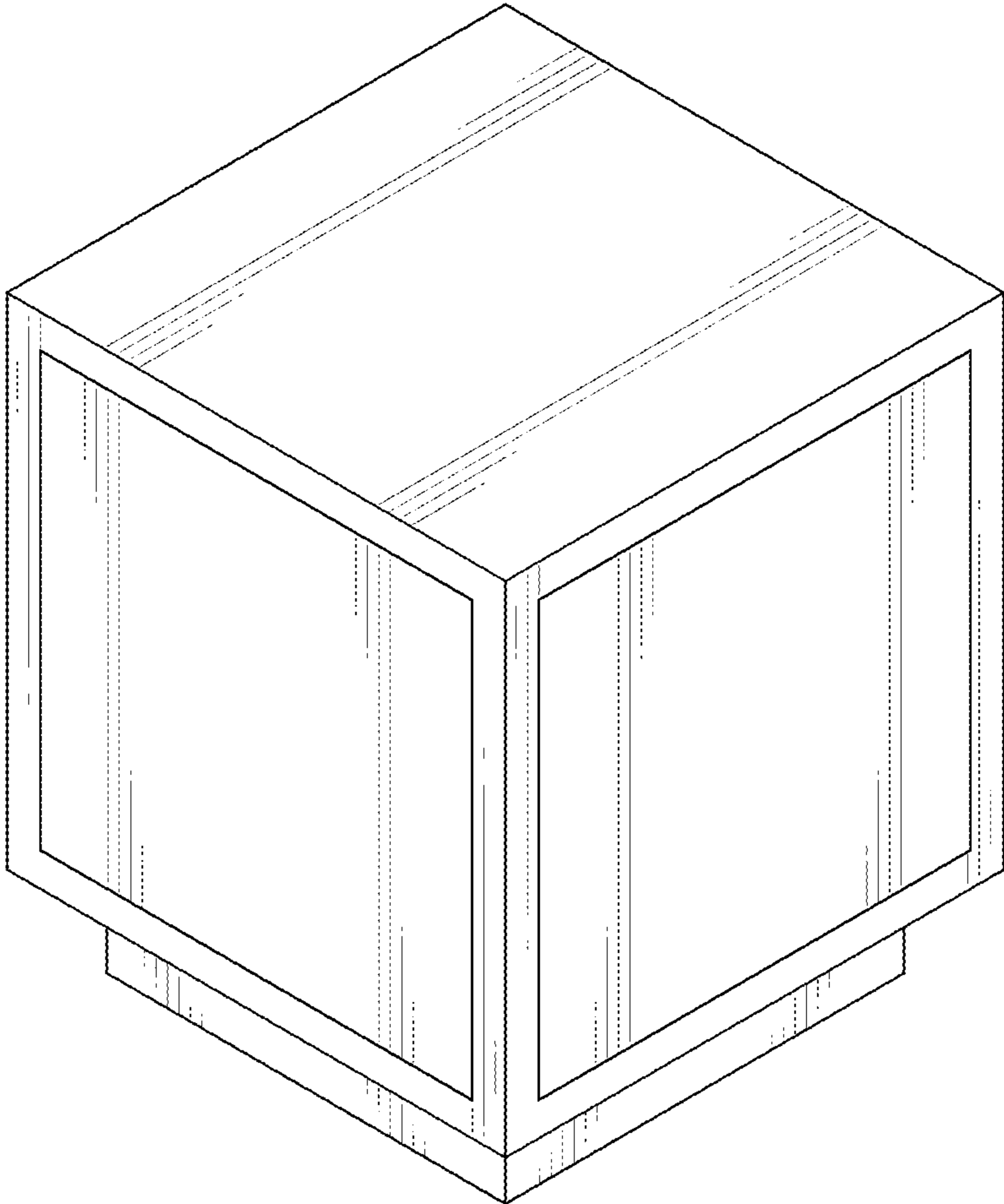


FIG. 1

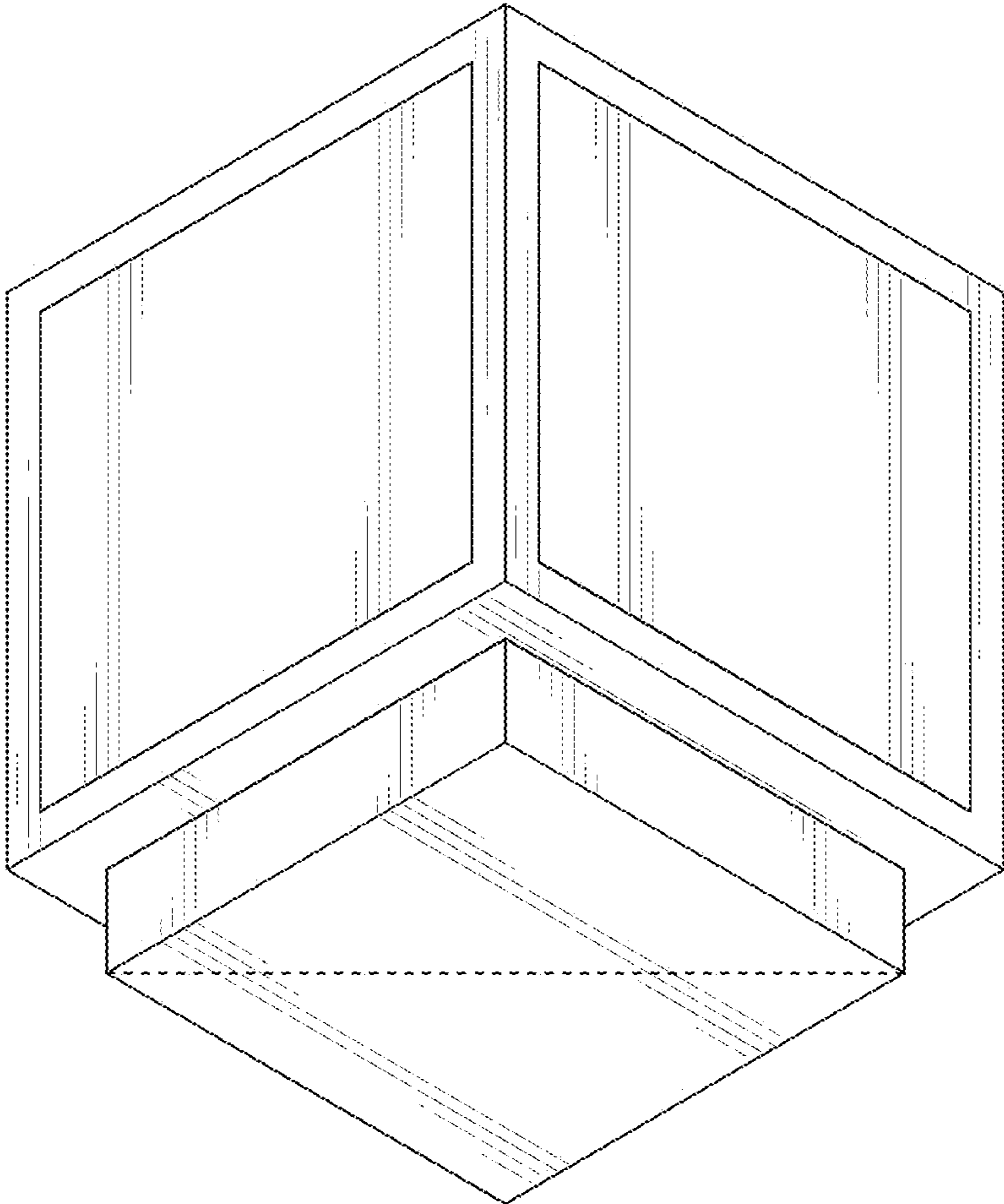


FIG. 2

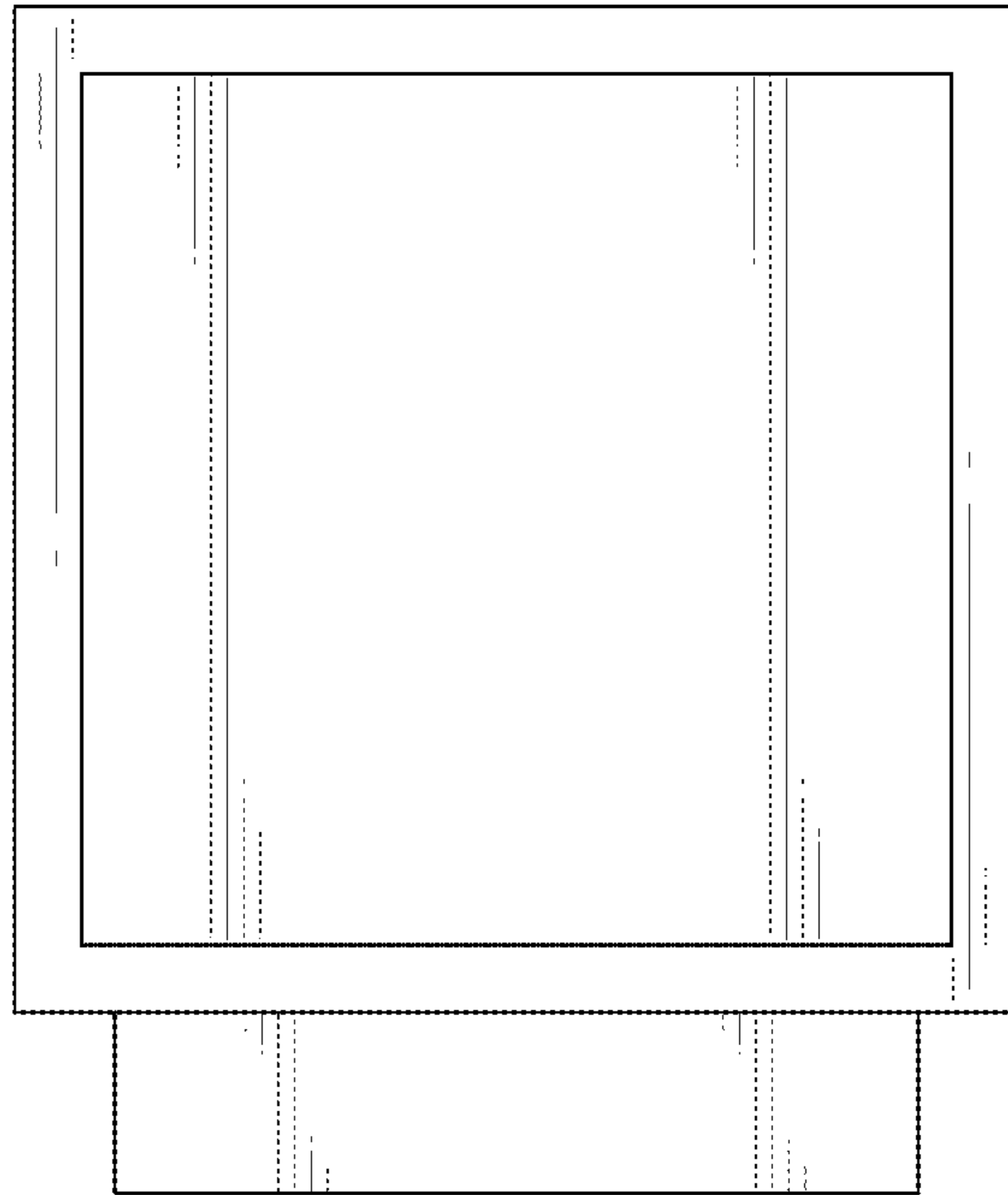


FIG. 3

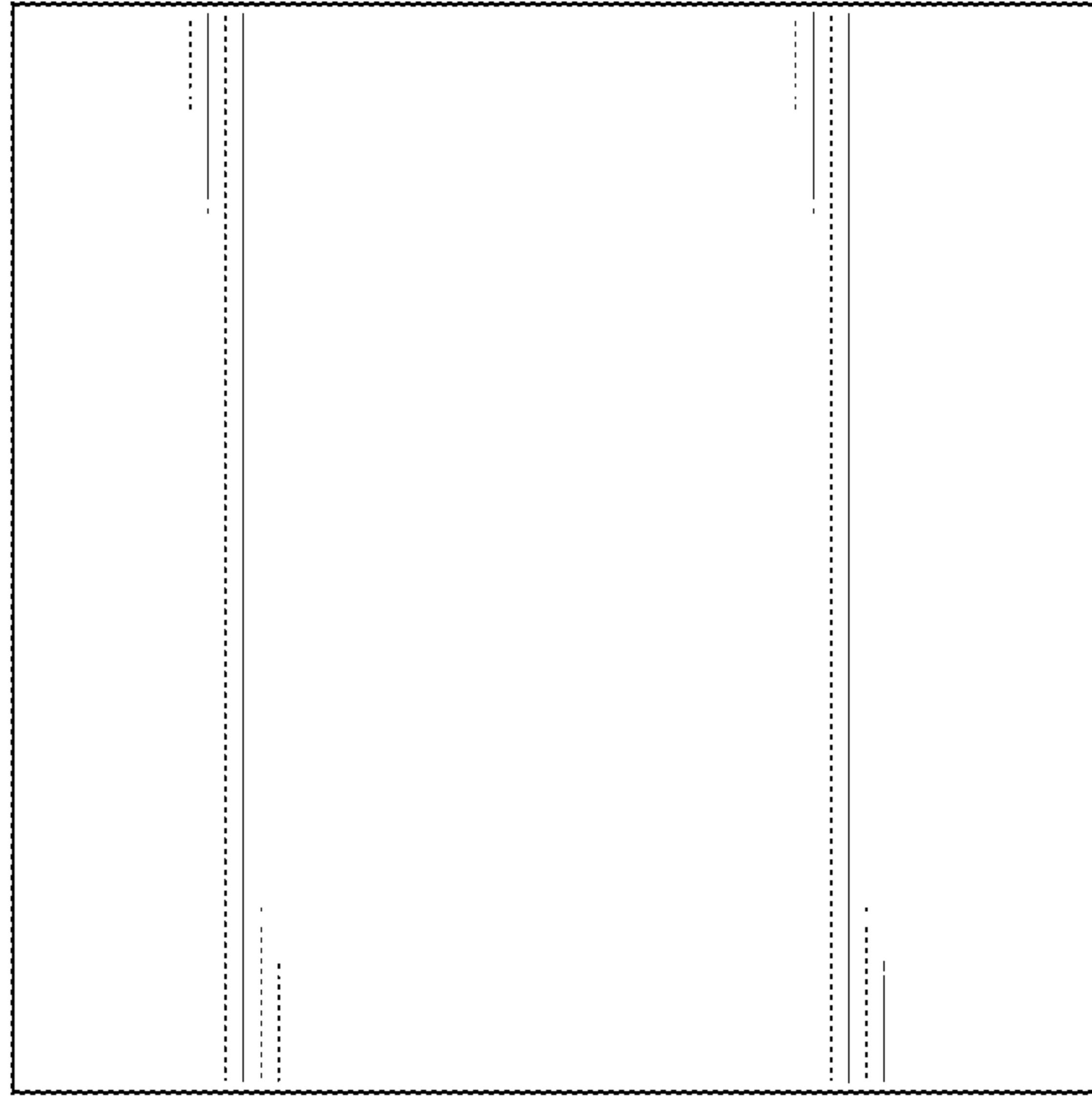


FIG. 4

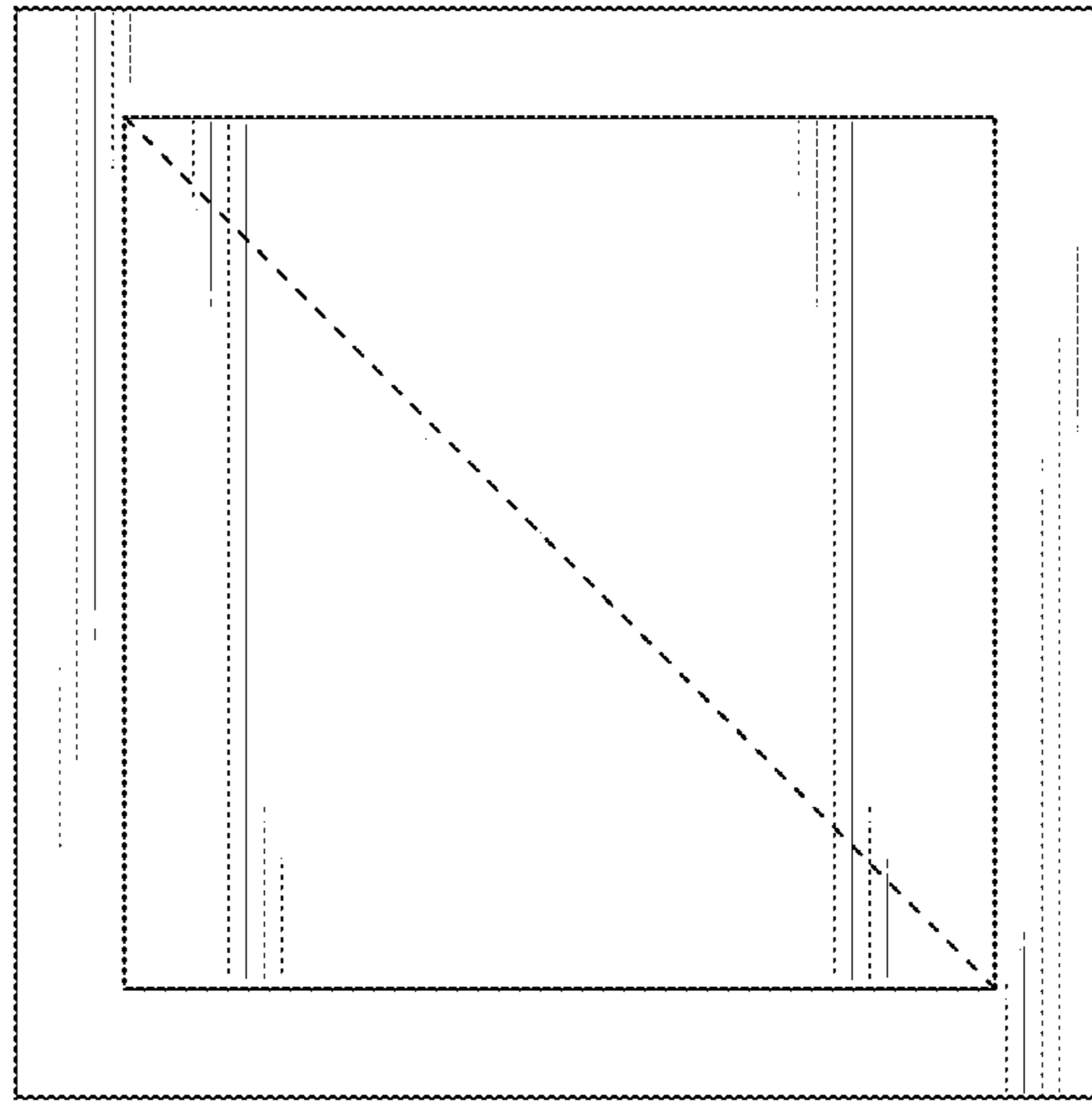


FIG. 5

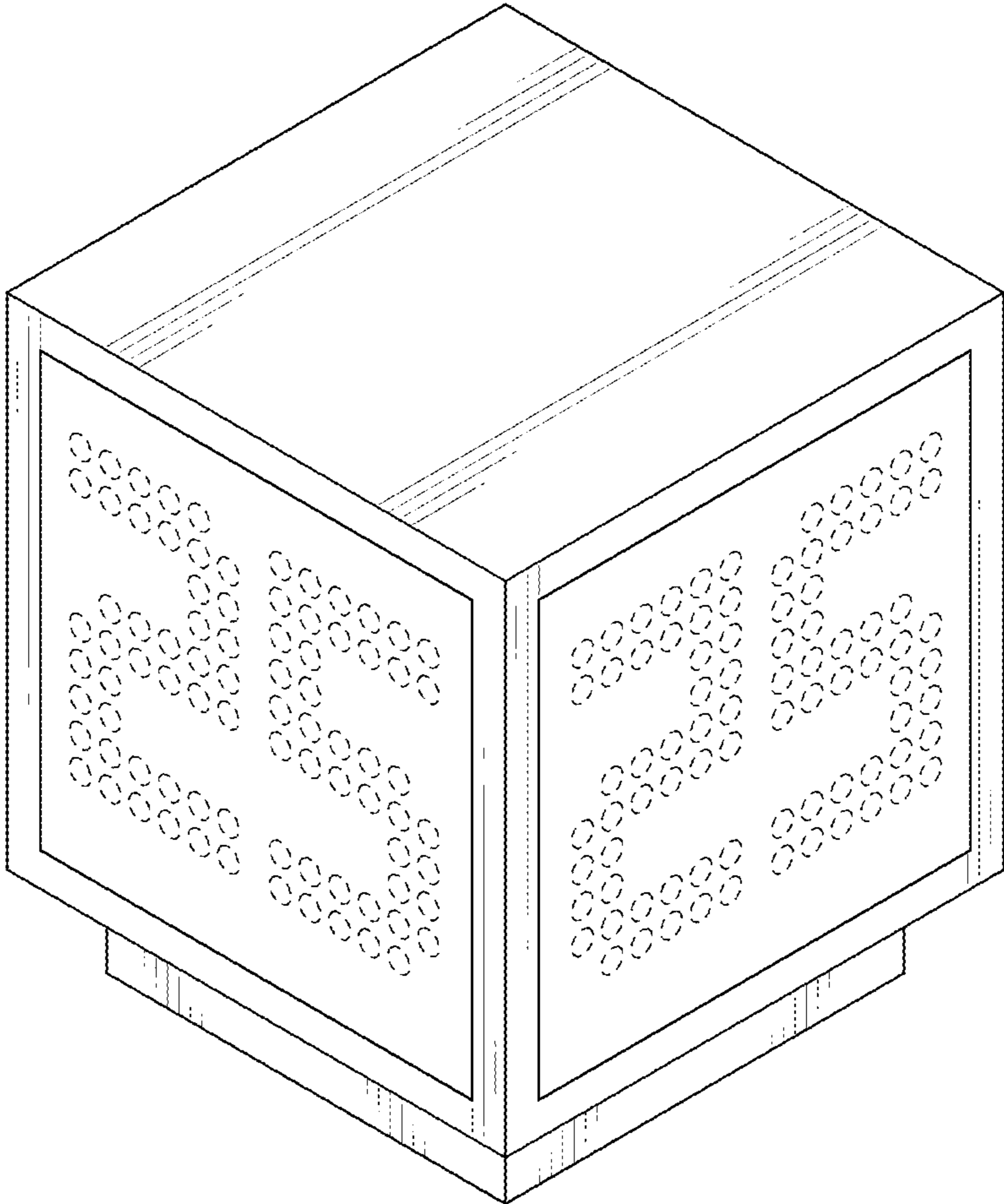


FIG. 6