



US0D1015174S

(12) **United States Design Patent** (10) **Patent No.:** **US D1,015,174 S**
Benedetti et al. (45) **Date of Patent:** **** Feb. 20, 2024**

(54) **SMOKE AND CARBON MONOXIDE DETECTOR**

(71) Applicant: **Carrier Corporation**, Palm Beach Gardens, FL (US)

(72) Inventors: **David Benedetti**, Carmel, IN (US); **Kenneth Mott**, Colorado Springs, CO (US)

(73) Assignee: **CARRIER CORPORATION**, Palm Beach Gardens, FL (US)

(**) Term: **15 Years**

(21) Appl. No.: **29/827,376**

(22) Filed: **Feb. 18, 2022**

(51) **LOC (14) Cl.** **10-05**

(52) **U.S. Cl.**
USPC **D10/106.3**

(58) **Field of Classification Search**
USPC D10/46, 81, 104.1, 106.1, 106.2, 106.3, D10/106.5, 109.2, 120
CPC G08B 17/107; G08B 17/10; G08B 29/145; G08B 17/11; G08B 17/125; G08B 17/117; G08B 17/00; G08B 21/14; G08B 29/043; G08B 29/183; G01N 33/004
See application file for complete search history.

(56) **References Cited**

U.S. PATENT DOCUMENTS

D315,112 S * 3/1991 Andrews D10/104.1
D373,544 S * 9/1996 Nickles D10/106.5
D453,306 S * 2/2002 Bekasi D10/120
D472,175 S * 3/2003 Welsh D10/106.5

D568,194 S * 5/2008 Vojinovic D10/109.2
D574,283 S * 8/2008 Anderson D10/106.1
D591,628 S * 5/2009 Tsurumi D10/106.5
D591,630 S * 5/2009 Tsurumi D10/106.5
D636,690 S * 4/2011 Carey D10/106.5
D703,566 S * 4/2014 Chen D10/106.5
D786,725 S * 5/2017 McCormick D10/106.5
D896,116 S * 9/2020 Brainard D10/106.5
2023/0152204 A1 * 5/2023 Chiatti G08B 17/107
356/342

* cited by examiner

Primary Examiner — George D. Kirschbaum

Assistant Examiner — Lillian Windham

(74) *Attorney, Agent, or Firm* — CANTOR COLBURN LLP

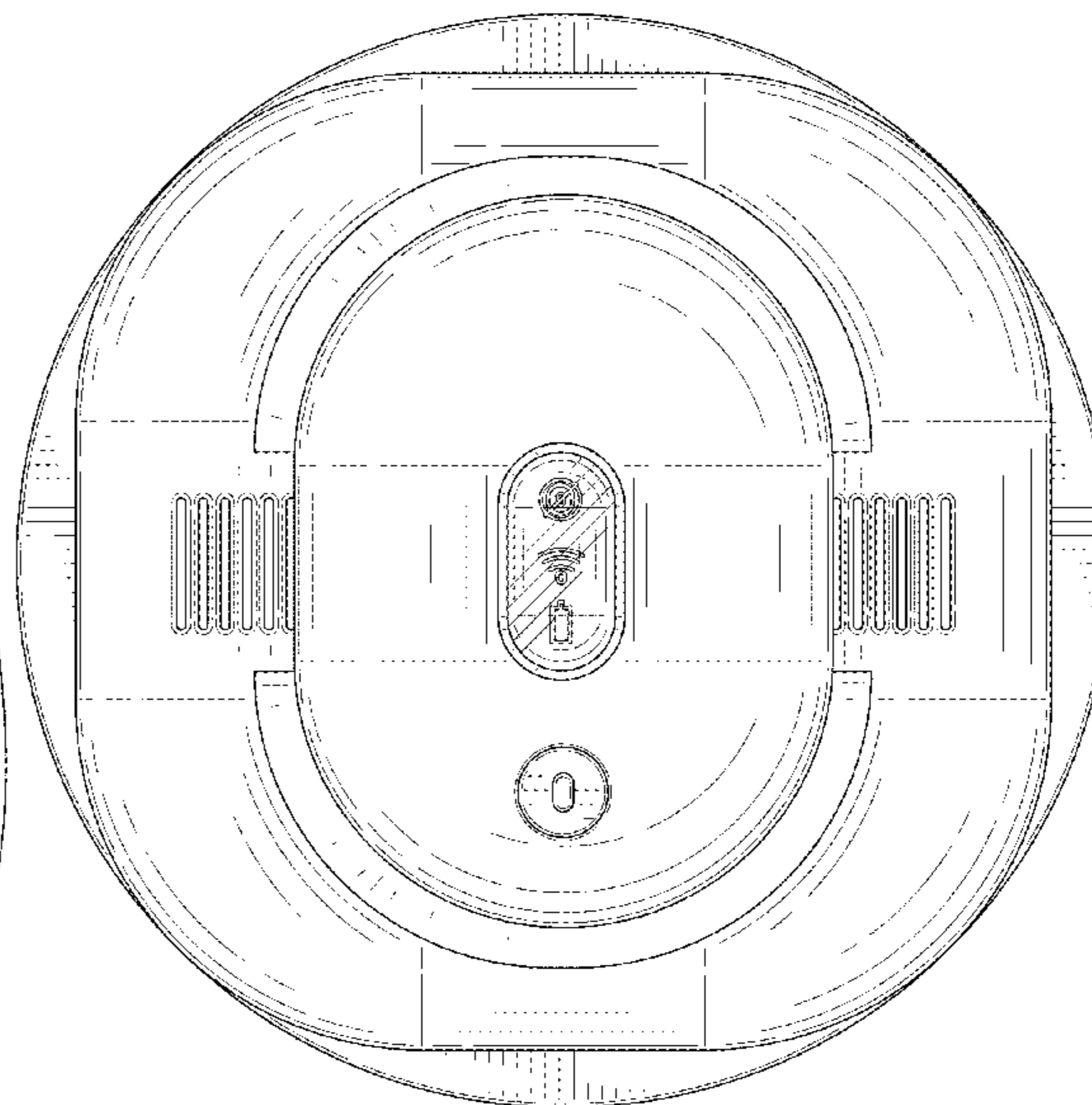
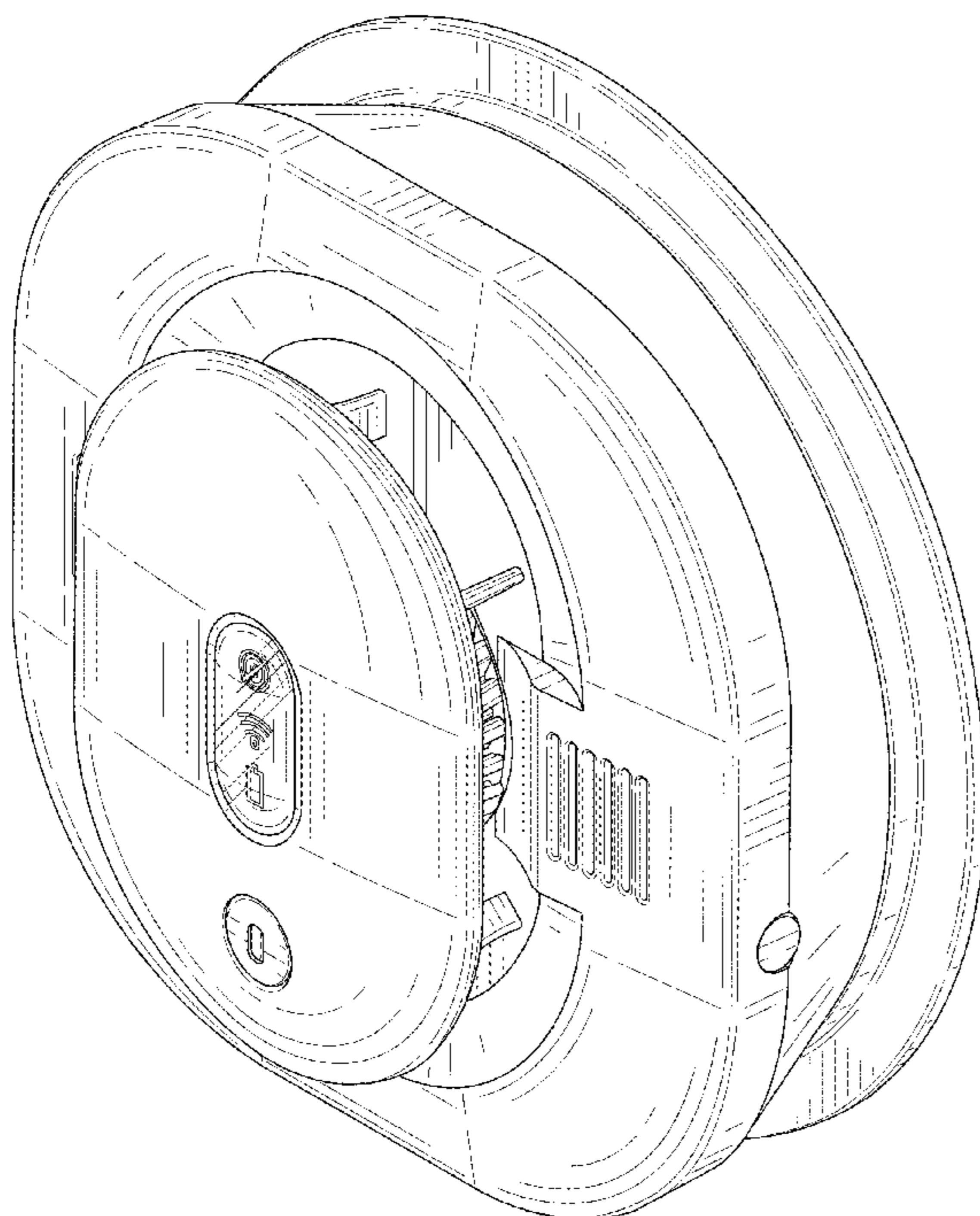
(57) **CLAIM**

The ornamental design for a smoke and carbon monoxide detector, as shown and described.

DESCRIPTION

FIG. 1 is a perspective view of a smoke and carbon monoxide detector, showing our new design;
FIG. 2 is a top view of the embodiment shown in FIG. 1;
FIG. 3 is a bottom view of the embodiment shown in FIG. 1;
FIG. 4 is a side view of the embodiment shown in FIG. 1;
FIG. 5 is another side view of the embodiment shown in FIG. 1;
FIG. 6 is a front view of the embodiment shown in FIG. 1; and,
FIG. 7 is a rear view of the embodiment shown in FIG. 1.
The broken lines in the figures are included for the purpose of illustrating portions of the smoke and carbon monoxide detector and form no part of the claimed design.

1 Claim, 5 Drawing Sheets



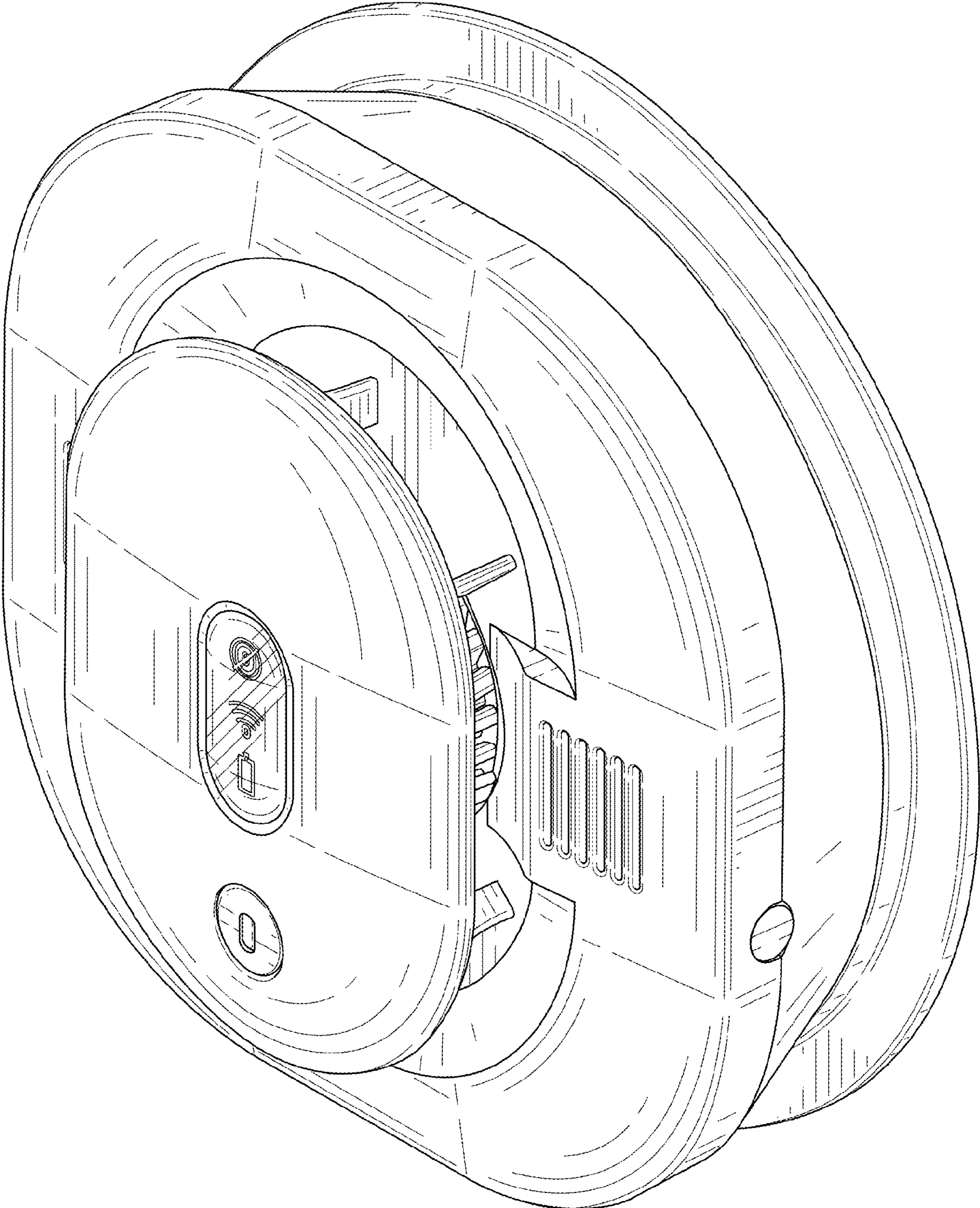


FIG. 1

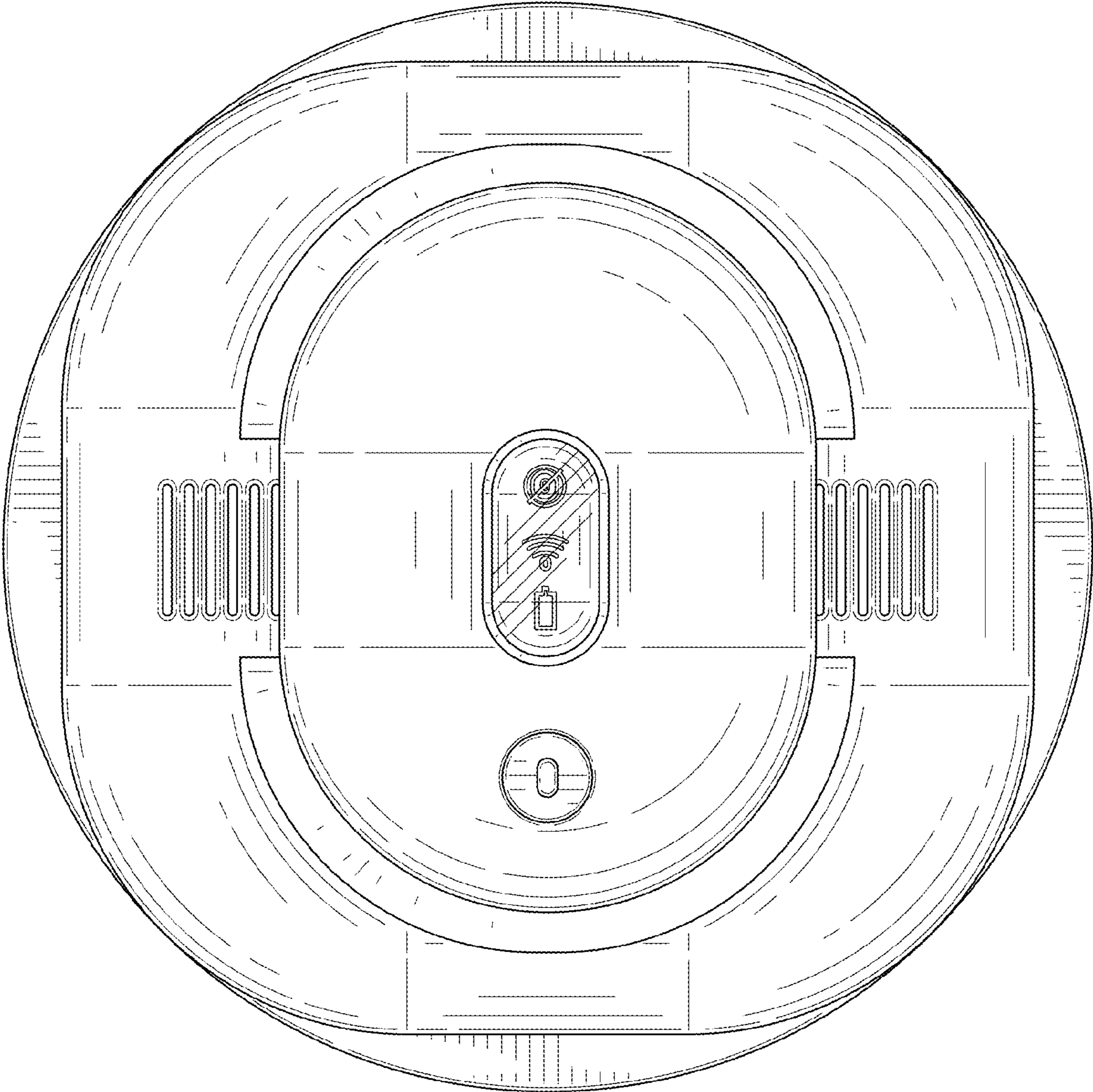


FIG. 2

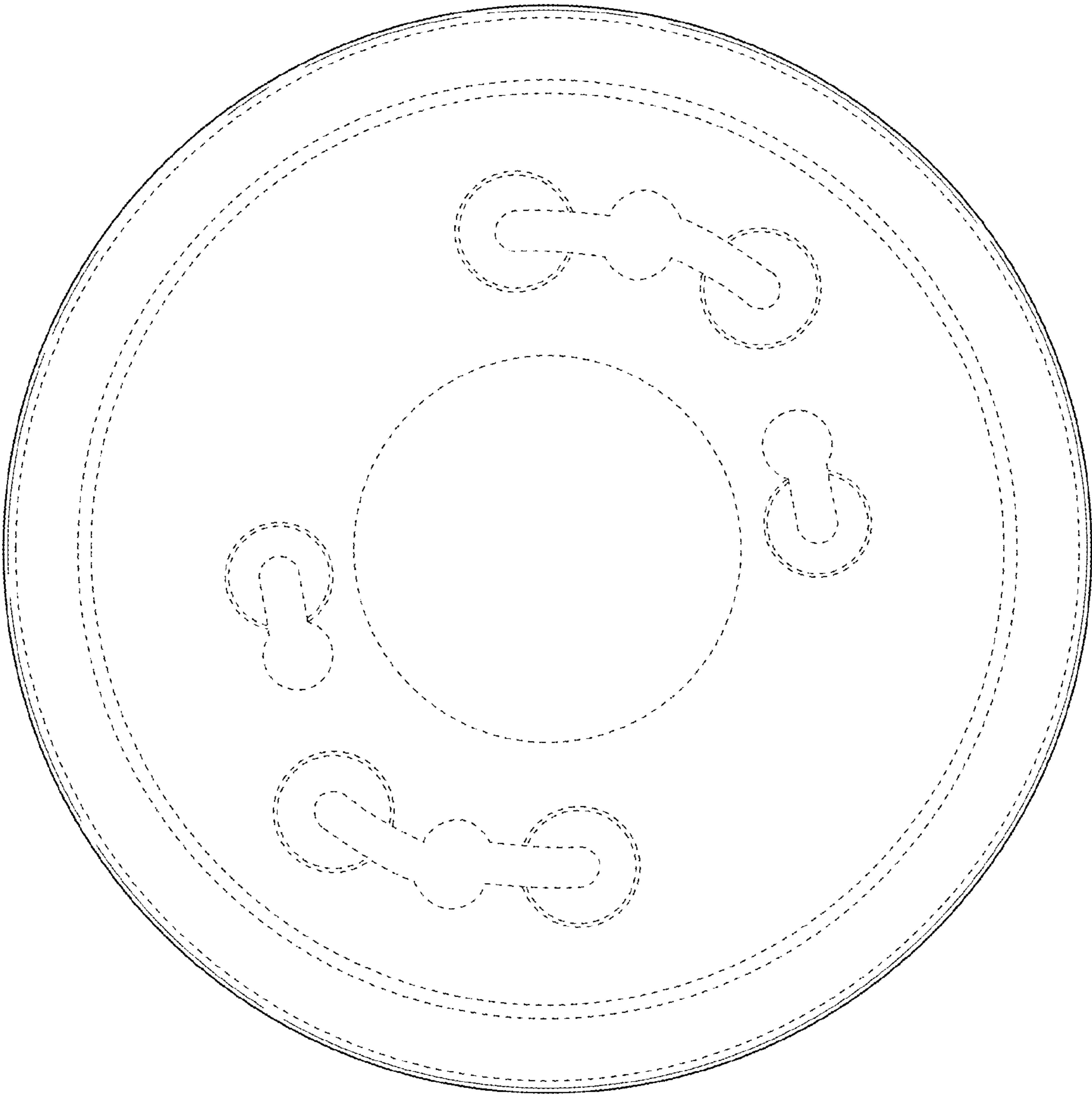


FIG. 3

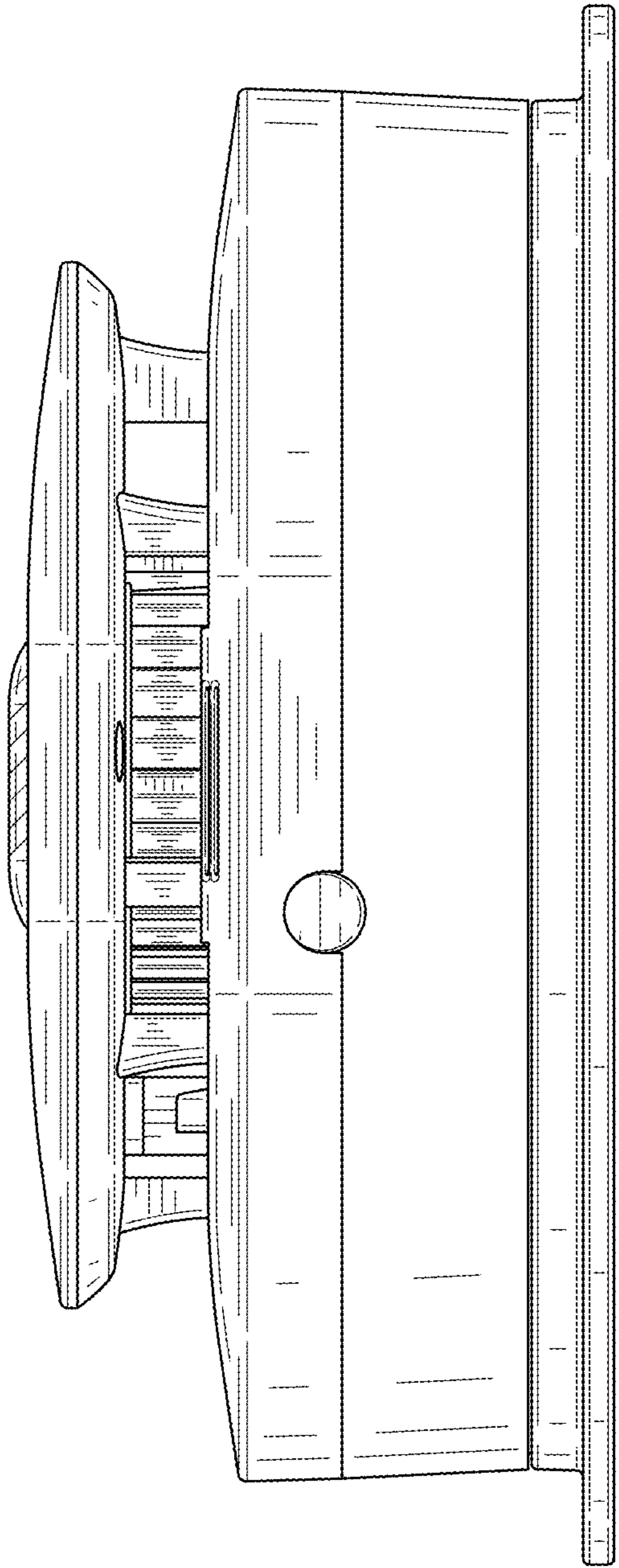


FIG. 4

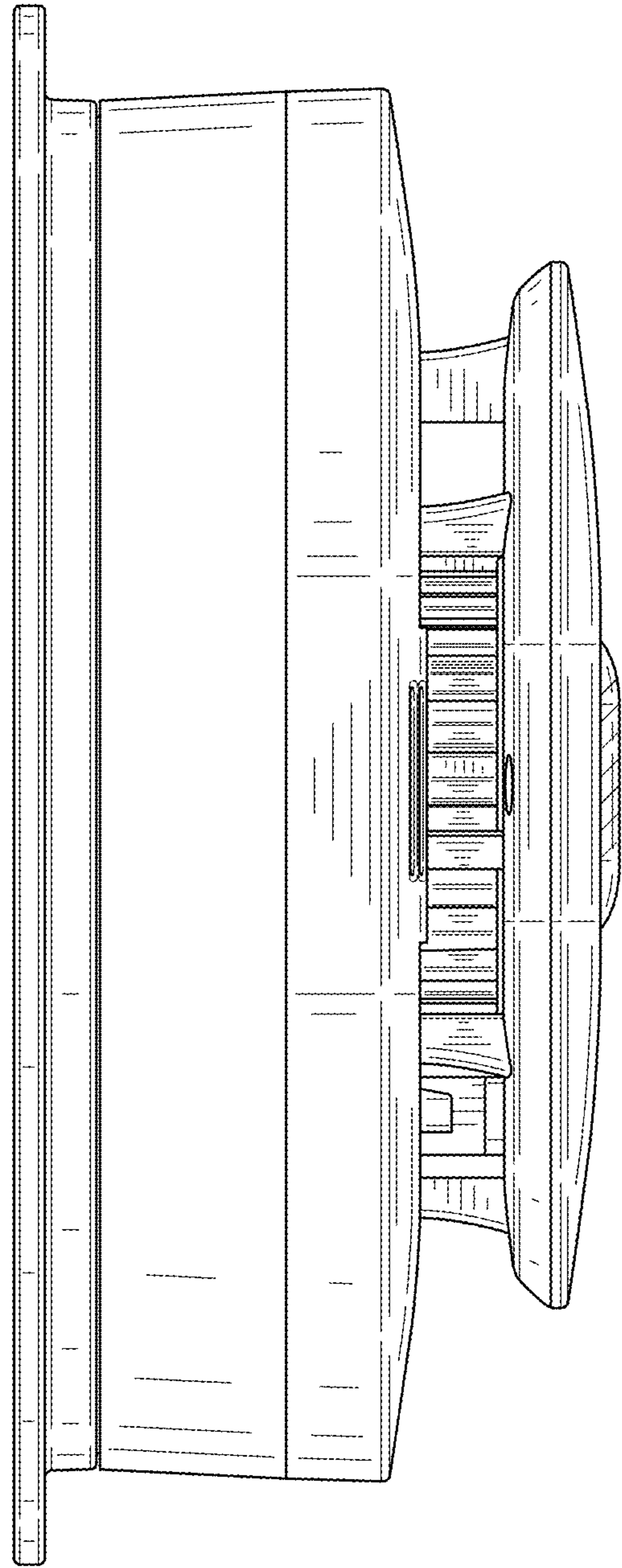


FIG. 5

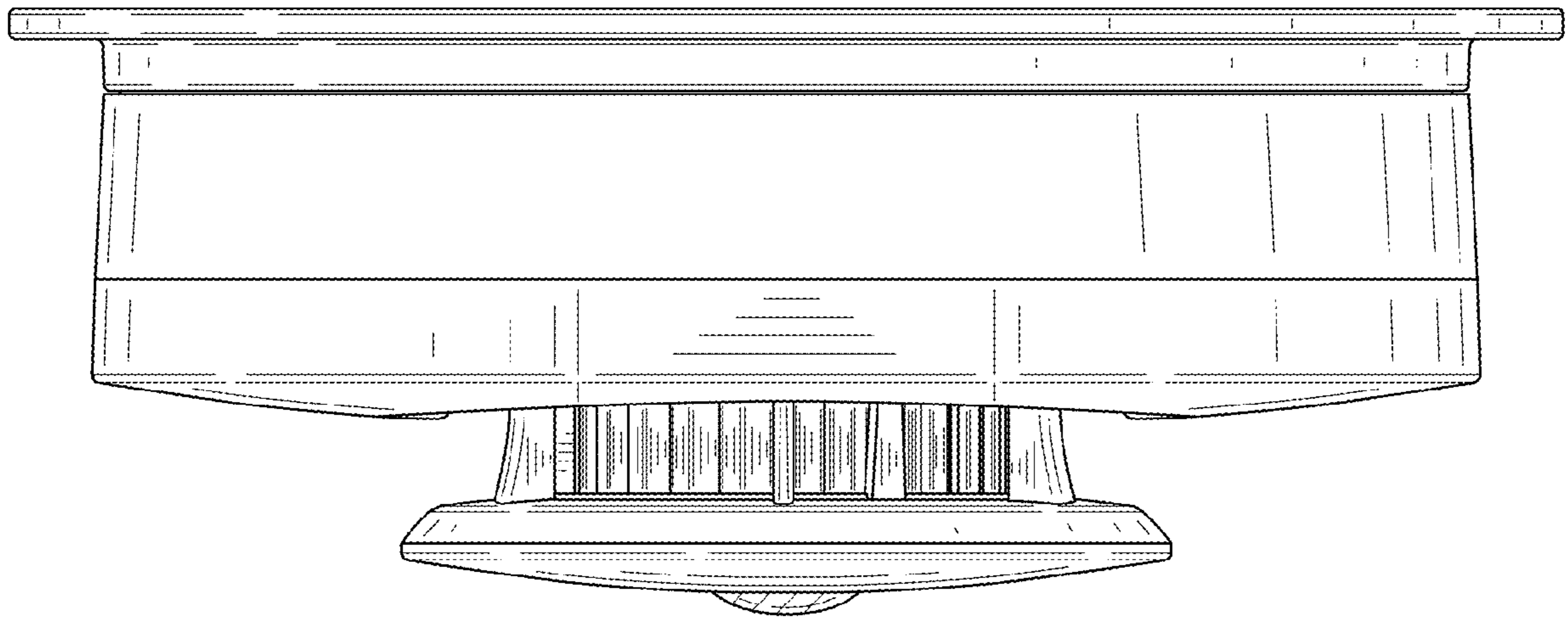


FIG. 6

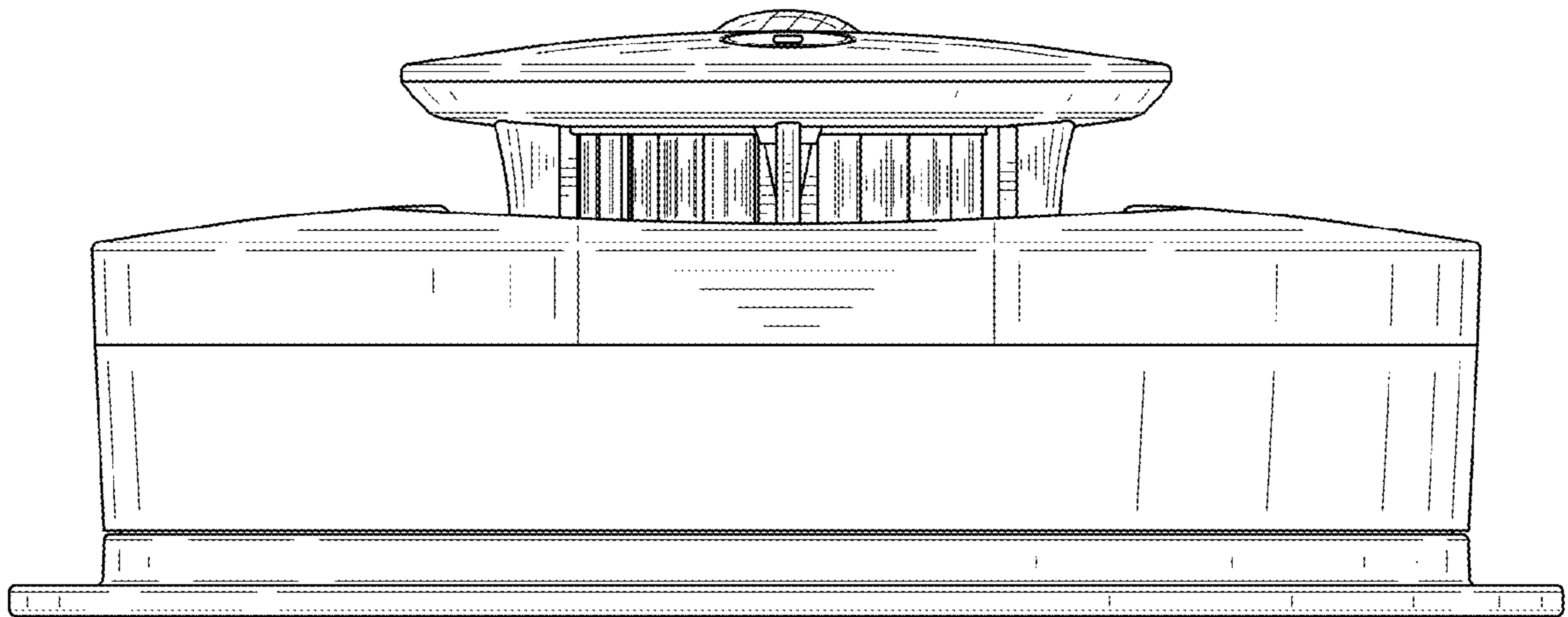


FIG. 7