



US0D1015128S

(12) **United States Design Patent**
Grindley

(10) **Patent No.:** **US D1,015,128 S**

(45) **Date of Patent:** **** Feb. 20, 2024**

(54) **HANGER DISPENSER**

(71) Applicant: **Bethune Grindley**, Suffolk, VA (US)

(72) Inventor: **Bethune Grindley**, Suffolk, VA (US)

(**) Term: **15 Years**

(21) Appl. No.: **29/850,654**

(22) Filed: **Aug. 22, 2022**

Related U.S. Application Data

(63) Continuation-in-part of application No. 17/062,542, filed on Oct. 2, 2020, now Pat. No. 11,666,186.

(51) **LOC (14) Cl.** **08-11**

(52) **U.S. Cl.**
USPC **D8/367**

(58) **Field of Classification Search**
USPC D8/367, 354, 349, 373, 356; D6/323, D6/310
CPC A47G 1/00; A47G 25/00; A47G 25/0614; B25H 3/04; B25H 3/06; B25H 3/003; A47K 10/40
See application file for complete search history.

(56) **References Cited**

U.S. PATENT DOCUMENTS

3,792,822	A	2/1974	Underhill	
4,036,464	A *	7/1977	Olson	H04R 1/10 248/89
4,487,376	A	12/1984	Compton	
D305,299	S *	1/1990	Freeman	D8/371
5,368,267	A *	11/1994	Howard	A47G 7/044 248/274.1
5,871,170	A	2/1999	Morales	
6,786,448	B2	9/2004	Arcilesi	
7,234,671	B2 *	6/2007	Avinger	A01G 5/04 248/339
D568,727	S *	5/2008	Walker	D8/380
7,401,749	B2	7/2008	Yang	

D584,939	S *	1/2009	Snell	D8/367
7,887,017	B2 *	2/2011	Moran	B44C 5/00 248/339
D636,928	S *	4/2011	Lin	D26/138
7,992,833	B1 *	8/2011	Goodman	A47G 25/0614 248/339
D668,938	S *	10/2012	Morales	D8/367
D697,785	S *	1/2014	Davis	D8/367
8,888,152	B1 *	11/2014	Coakley	B25B 9/00 224/267
8,899,541	B2 *	12/2014	Bixler	A47G 1/164 40/748
8,966,674	B2 *	3/2015	Lu	E03D 9/032 4/231
D746,127	S *	12/2015	Cohen	D8/367

(Continued)

Primary Examiner — Cynthia R Underwood

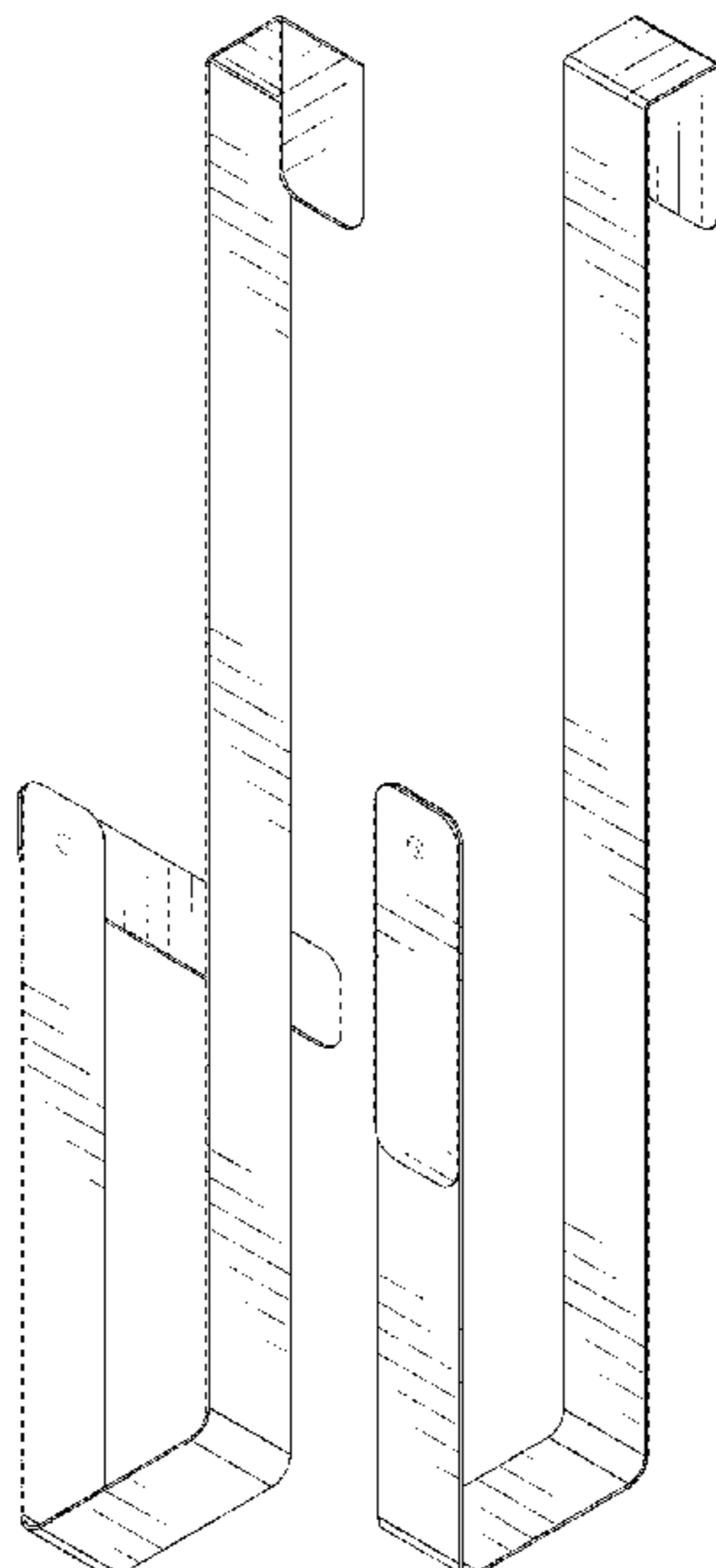
(57) **CLAIM**

The ornamental design for a hanger dispenser, as shown and described.

DESCRIPTION

FIG. 1 is a front elevational view of a hanger dispenser showing my new design;
FIG. 2 is a rear elevational view thereof;
FIG. 3 is a left elevational view thereof;
FIG. 4 is a right elevational view thereof;
FIG. 5 is a bottom plan view thereof;
FIG. 6 is a top plan view thereof;
FIG. 7 is a bottom rear perspective view thereof;
FIG. 8 is a top front perspective view thereof;
FIG. 9 is a top front perspective view of my new design shown in an upward alternate position of use; and,
FIG. 10 is a top front perspective view of my new design shown in a downward alternate position.
The broken lines showing the connector are included for the purpose of depicting environmental structure and form no part of the claimed design.

1 Claim, 10 Drawing Sheets



(56)

References Cited

U.S. PATENT DOCUMENTS

9,661,959	B2	5/2017	Prior	
10,299,614	B2 *	5/2019	Adams G09F 7/18
10,334,997	B2 *	7/2019	Yocom A47K 10/3836
D859,132	S *	9/2019	Abeel D8/367
D864,698	S *	10/2019	Wilson A45F 5/00
				D8/367
10,758,098	B2 *	9/2020	Gharibian A47K 17/003
D900,597	S *	11/2020	Lee D8/367
10,993,590	B2 *	5/2021	Marcus A47K 10/40
11,076,534	B1 *	8/2021	Kacines A47G 25/0614
11,248,741	B1 *	2/2022	Parniani A01G 5/04
D947,657	S	4/2022	Grindley	
D965,419	S *	10/2022	Burr D8/380
D982,419	S *	4/2023	Chun D8/367
11,666,186	B2 *	6/2023	Grindley A47K 10/405
				242/560
2006/0108498	A1 *	5/2006	Jackson F16M 11/00
				248/690
2010/0224749	A1 *	9/2010	Tran A47H 1/142
				248/262
2011/0253757	A1 *	10/2011	May, Jr. A45F 3/08
				224/268
2014/0332619	A1	11/2014	Yang	
2015/0150389	A1 *	6/2015	Nilsson A47F 5/0823
				248/220.42
2015/0238027	A1 *	8/2015	Yeh A47G 1/1653
				248/307
2021/0307568	A1 *	10/2021	Steinke A47K 10/40
2023/0284840	A1 *	9/2023	Steinke A47K 10/22
				242/599

* cited by examiner

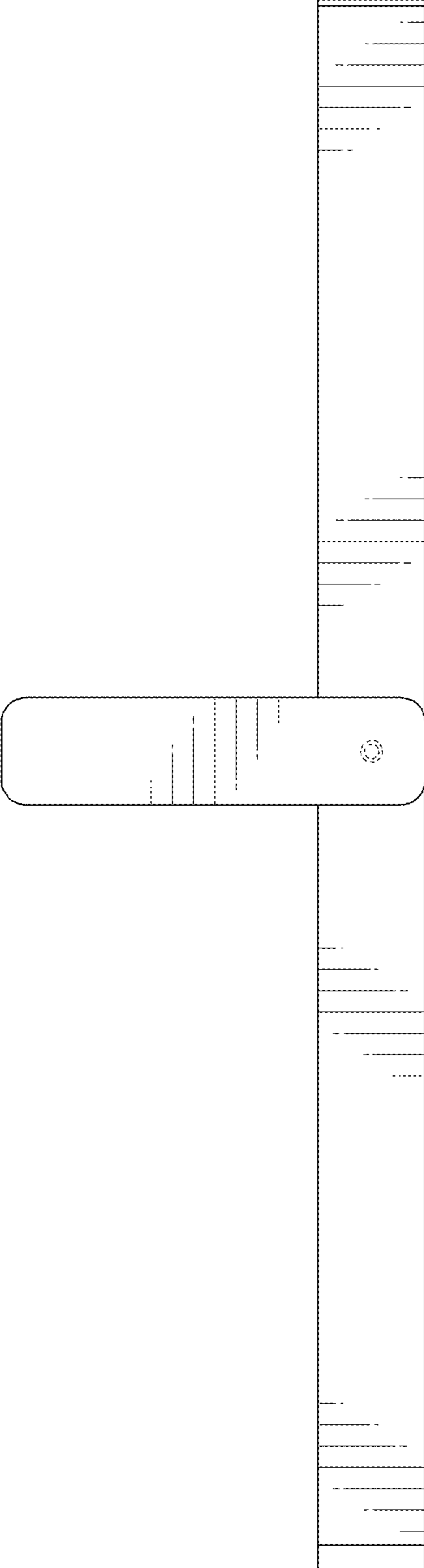


FIG. 1

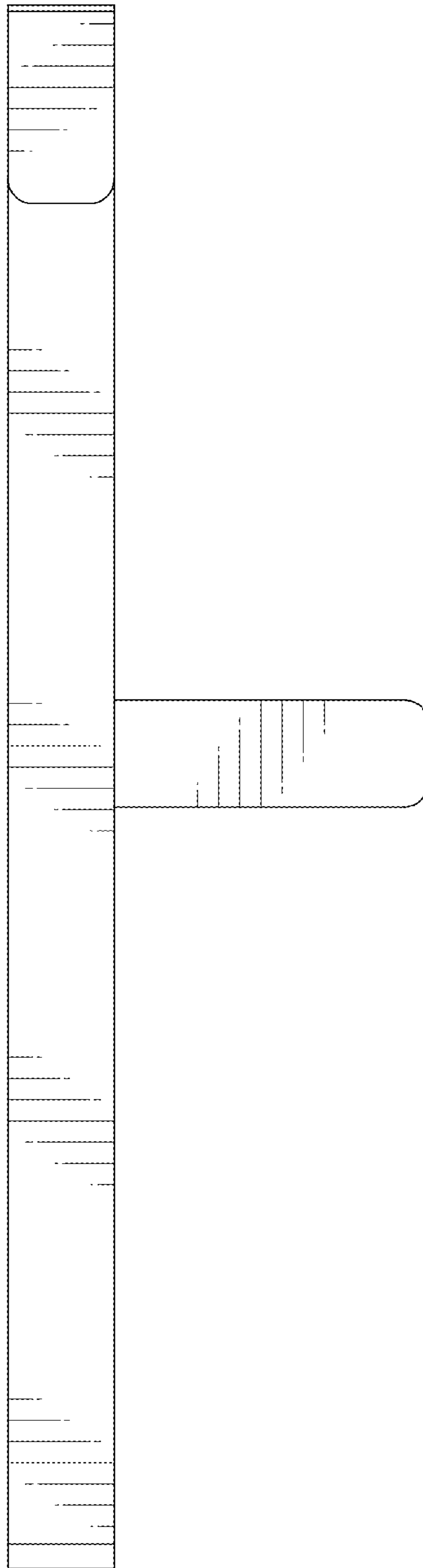


FIG. 2

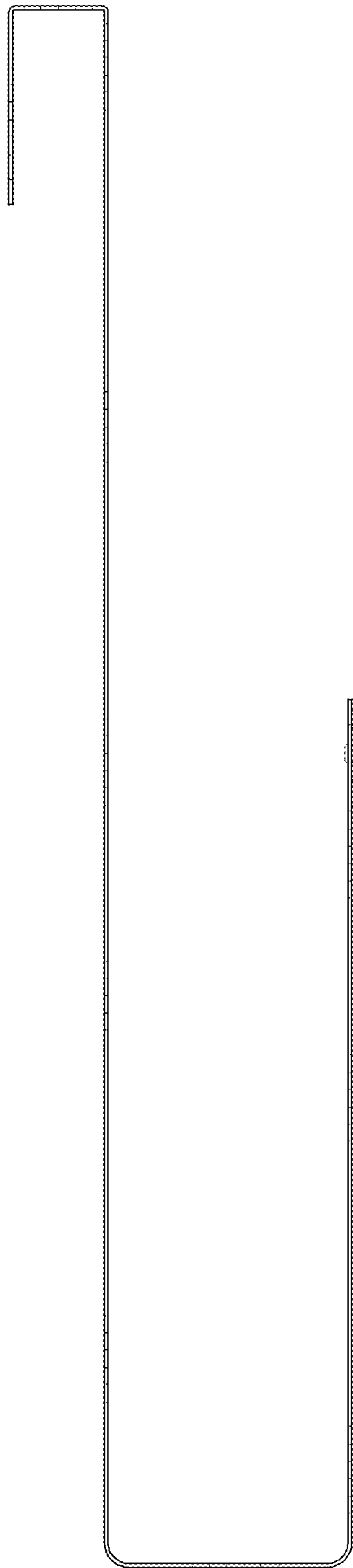


FIG. 3

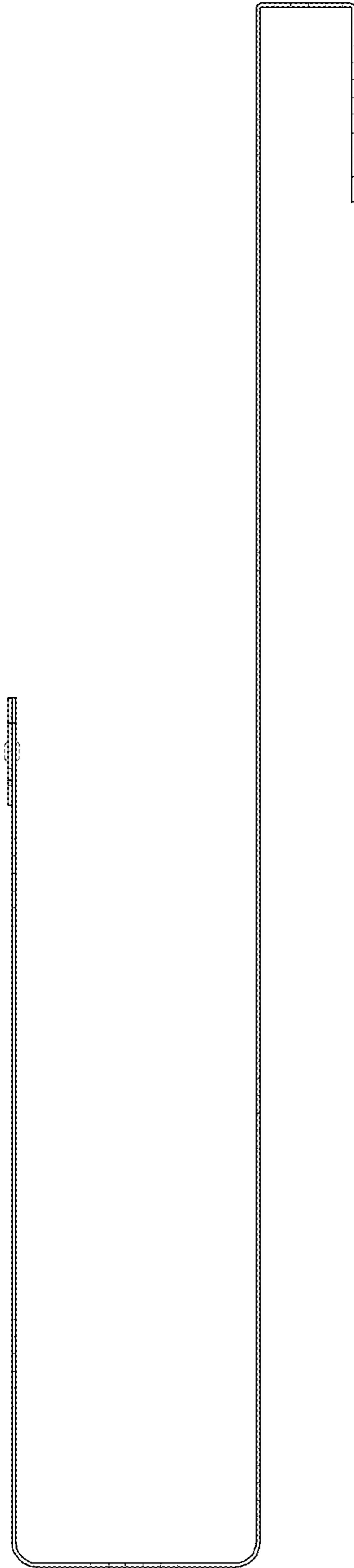


FIG. 4

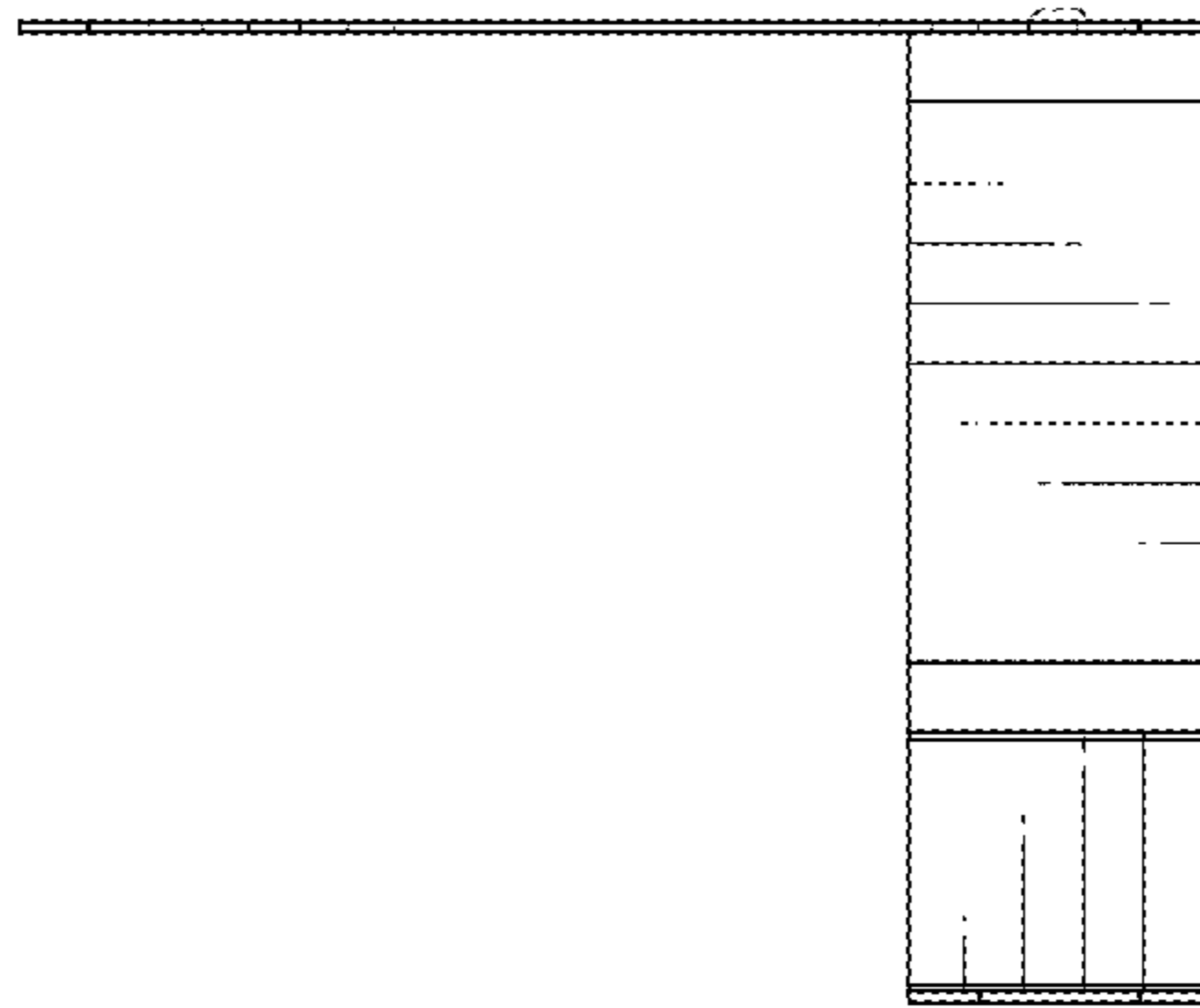


FIG. 5

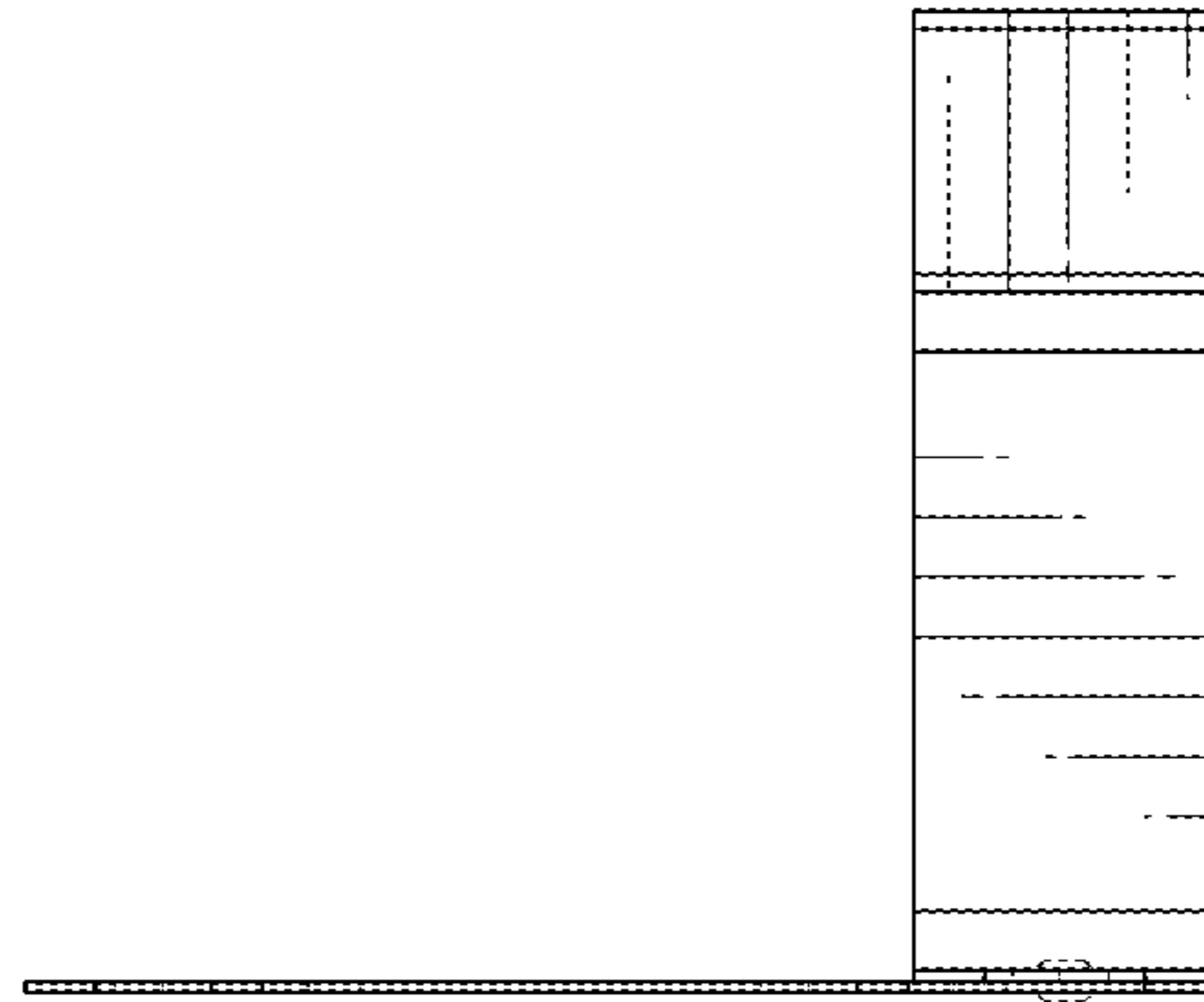


FIG. 6

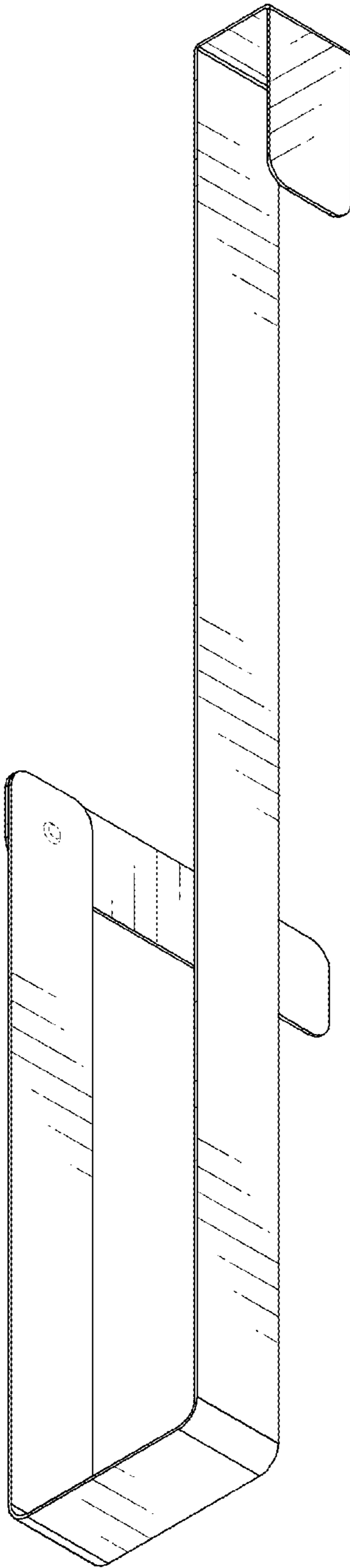


FIG. 7

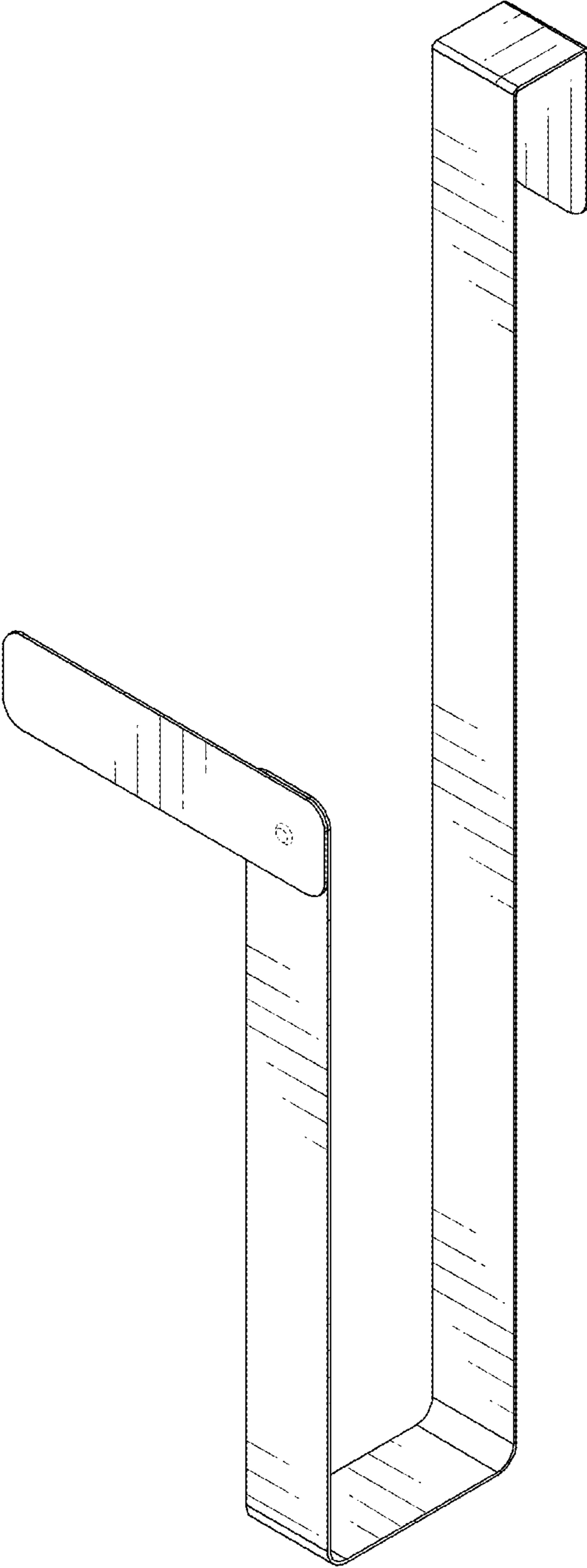


FIG. 8

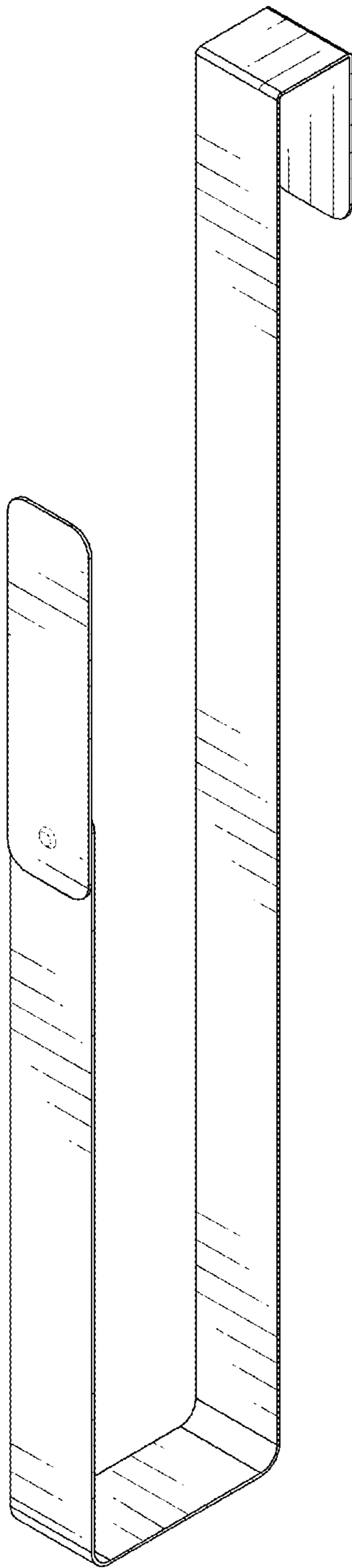


FIG. 9

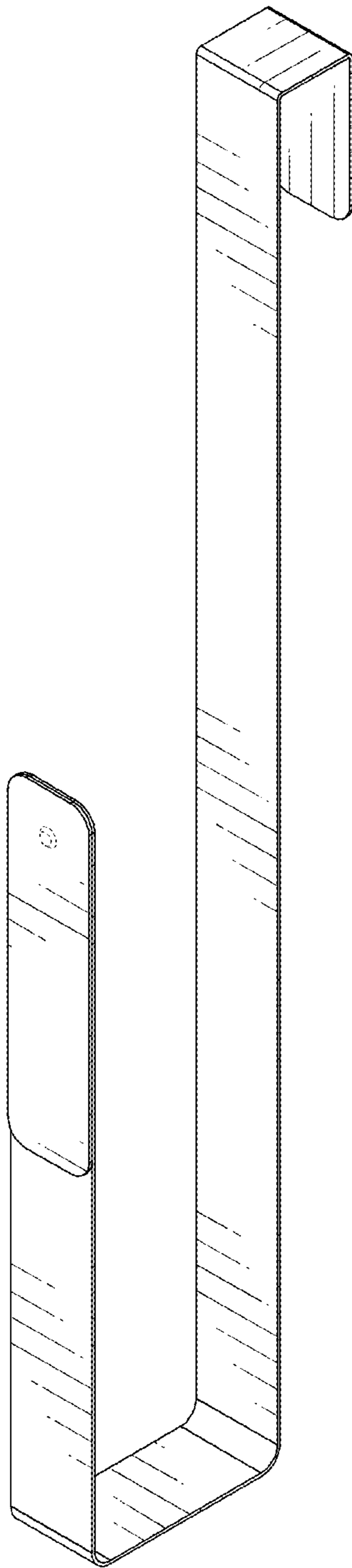


FIG. 10