



US0D1015109S

(12) **United States Design Patent** (10) **Patent No.:** **US D1,015,109 S**
Xu (45) **Date of Patent:** **** Feb. 20, 2024**

(54) **HINGE PIN REMOVAL TOOL**
(71) Applicant: **Home Depot Product Authority, LLC**,
Atlanta, GA (US)
(72) Inventor: **Qin Zhi Xu**, Minhang District (CN)
(73) Assignee: **Home Depot Product Authority, LLC**,
Atlanta, GA (US)
(**) Term: **15 Years**
(21) Appl. No.: **29/829,817**
(22) Filed: **Mar. 8, 2022**
(51) **LOC (14) Cl.** **08-05**
(52) **U.S. Cl.**
USPC **D8/14**
(58) **Field of Classification Search**
USPC D8/14, 51
CPC B25B 27/04; Y10T 29/53943;
Y10T 29/5393
See application file for complete search history.

D568,124 S * 5/2008 Stevens, Sr. E05D 7/1005
D8/89
7,971,329 B1 * 7/2011 Brohard E05D 11/00
D8/89
D655,590 S * 3/2012 Edwards, Jr. D8/51
(Continued)

OTHER PUBLICATIONS

<https://www.homedepot.com/p/RYOBI-Hinge-Pin-Remover-and-Installer-A99HPR1/312284027>, captured Mar. 15, 2022, 10 pgs.

Primary Examiner — Philip S Hyder
(74) *Attorney, Agent, or Firm* — Greenberg Traurig, LLP

(57) **CLAIM**

The ornamental design for a hinge pin removal tool, as shown and described.

DESCRIPTION

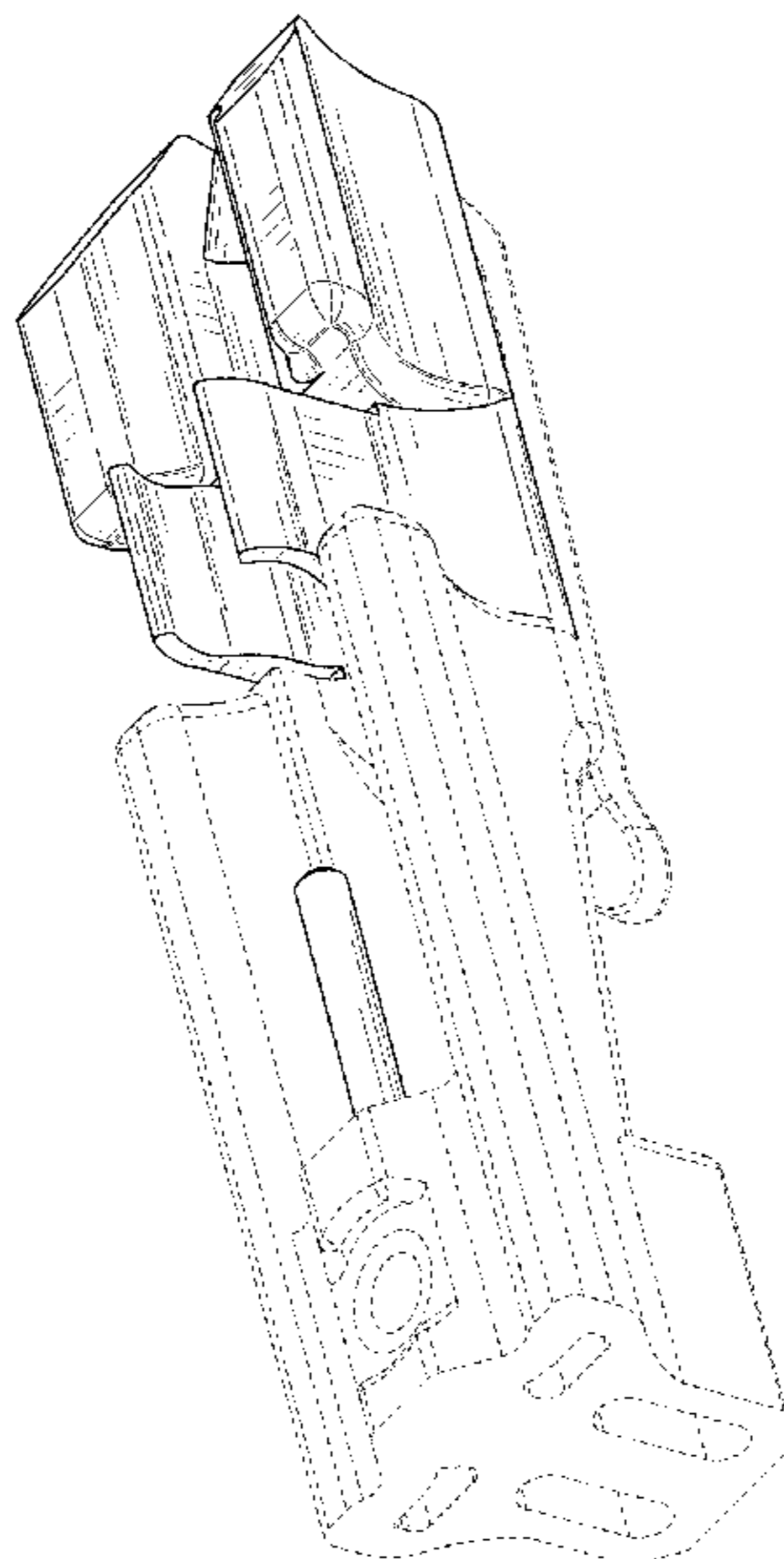
FIG. 1 is a perspective view of a hinge pin removal tool having my design;
FIG. 2 is a front view the hinge pin removal tool of FIG. 1;
FIG. 3 is a rear view of the hinge pin removal tool of FIG. 1;
FIG. 4 is a left side view of the hinge pin removal tool of FIG. 1;
FIG. 5 is a right side view of the hinge pin removal tool of FIG. 1;
FIG. 6 is a top view of the hinge pin removal tool of FIG. 1;
FIG. 7 is a bottom view of the hinge pin removal tool of FIG. 1; and,
FIG. 8 is a cross-sectional left side view of the hinge pin removal tool of FIG. 1, taken along line 8-8 in FIG. 2.
The broken lines in the drawings depict features of the hinge pin removal tool that form no part of the claimed design. The shade lines in the drawings show contour and not surface ornamentation. All other surface(s) or portion(s) of the hinge pin removal tool not shown in the figures or otherwise described in the specification form no part of the claimed design.

(56) **References Cited**

U.S. PATENT DOCUMENTS

4,183,133 A 1/1980 Abbott
5,875,535 A * 3/1999 Canoy B25B 27/04
29/278
6,308,390 B1 * 10/2001 Sullivan B25B 27/04
254/131
6,684,471 B2 * 2/2004 Jones B25B 27/04
29/244
6,922,880 B1 * 8/2005 Green B25B 27/04
29/267
6,957,477 B1 * 10/2005 Neiman B25B 27/14
29/278
7,100,255 B1 9/2006 McNamee et al.
D532,661 S * 11/2006 Wood E05D 7/1005
D8/89

1 Claim, 7 Drawing Sheets



(56)

References Cited

U.S. PATENT DOCUMENTS

D977,320 S * 2/2023 Smith D8/14
2017/0021483 A1* 1/2017 Vandeveld B25B 27/04

* cited by examiner

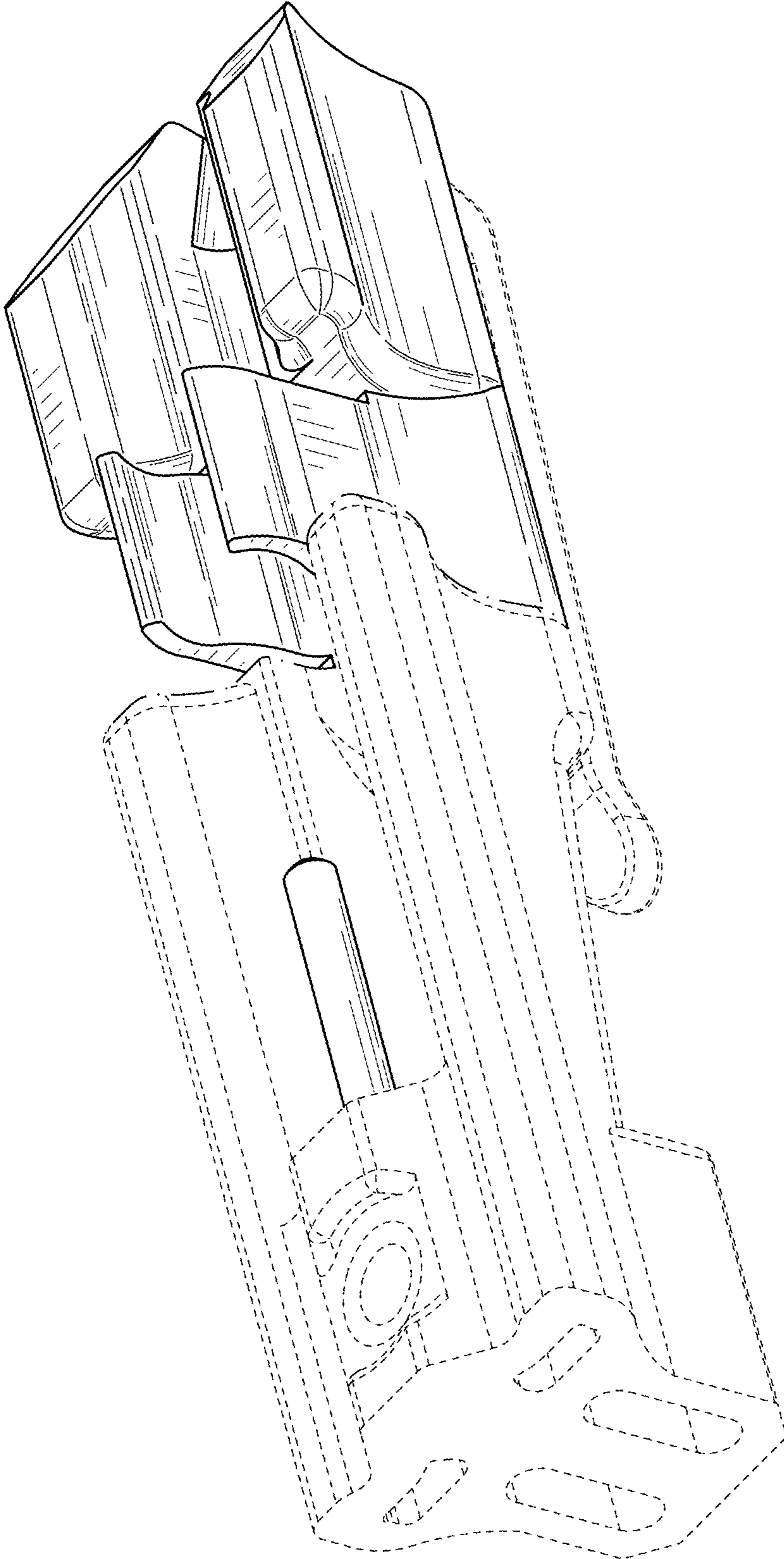


FIG. 1

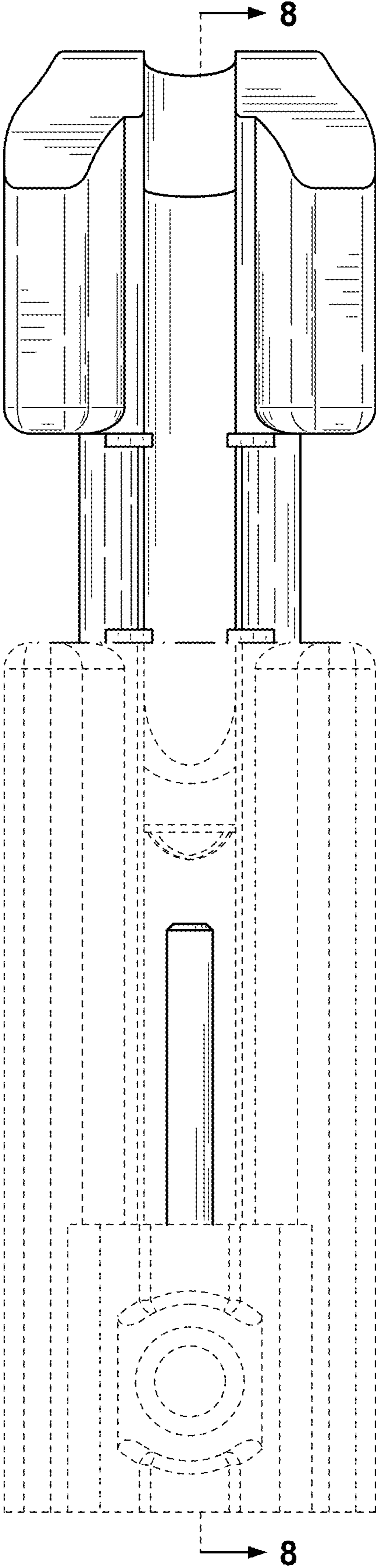


FIG. 2

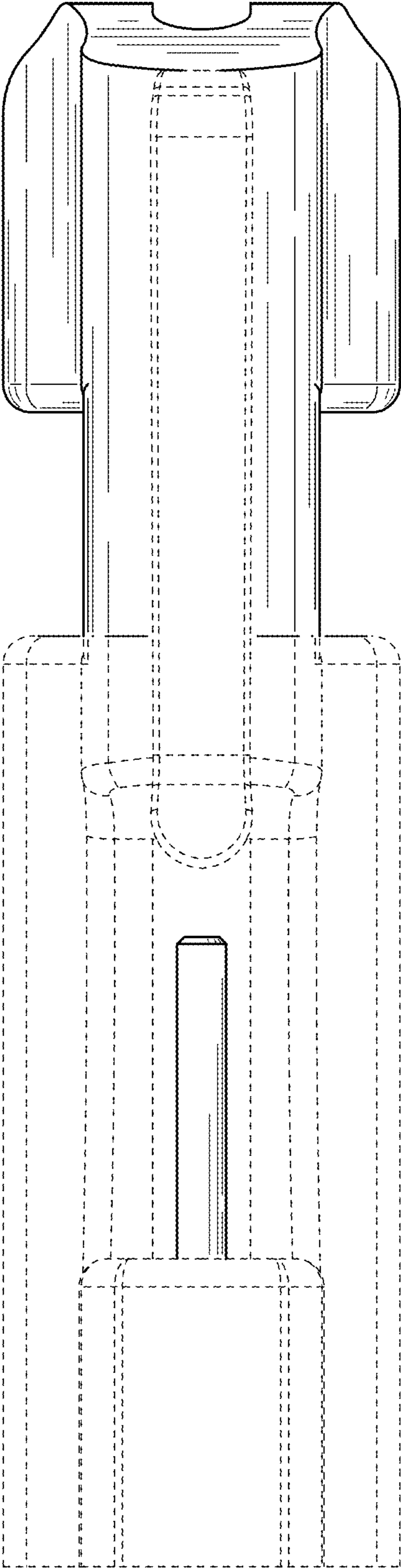


FIG. 3

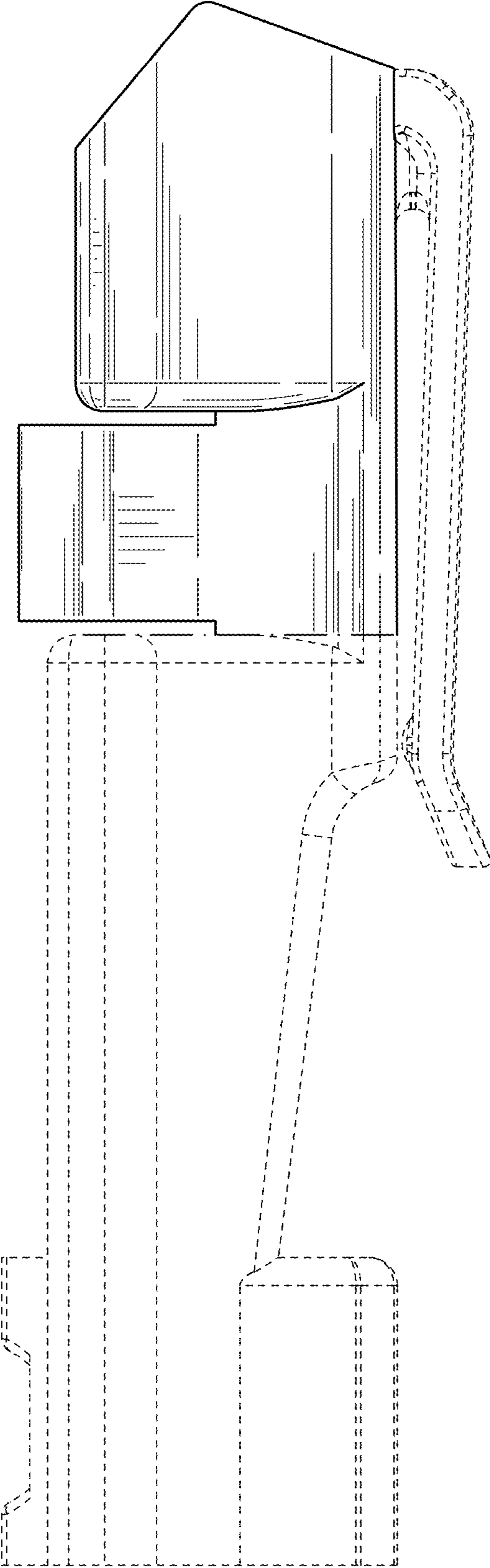


FIG. 4

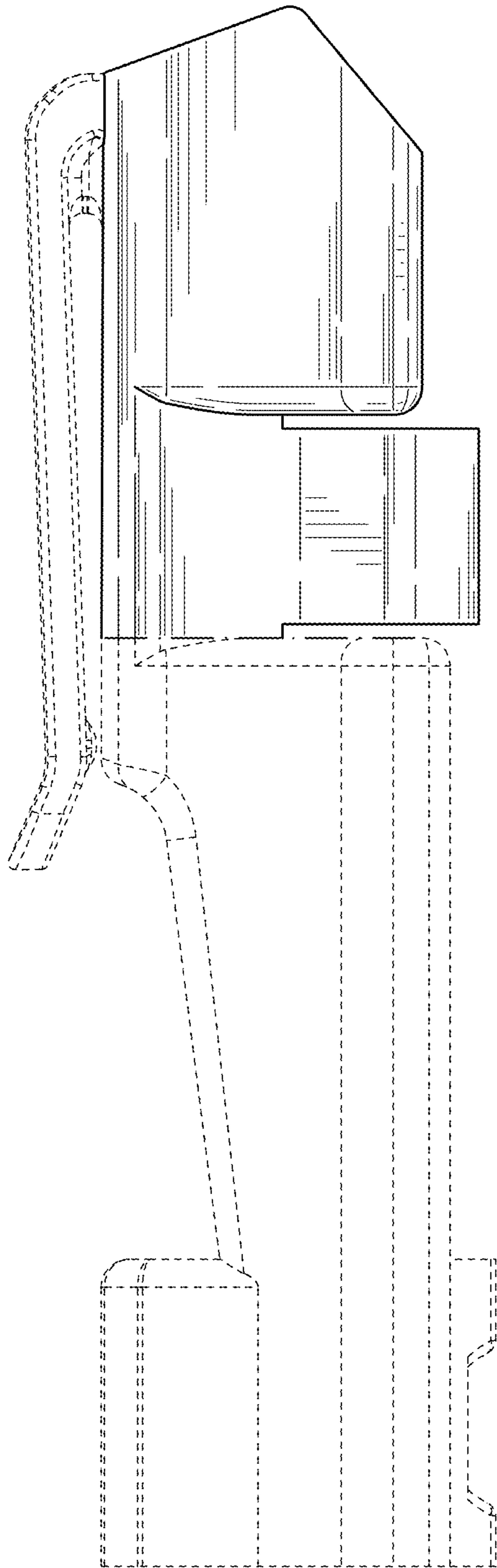


FIG. 5

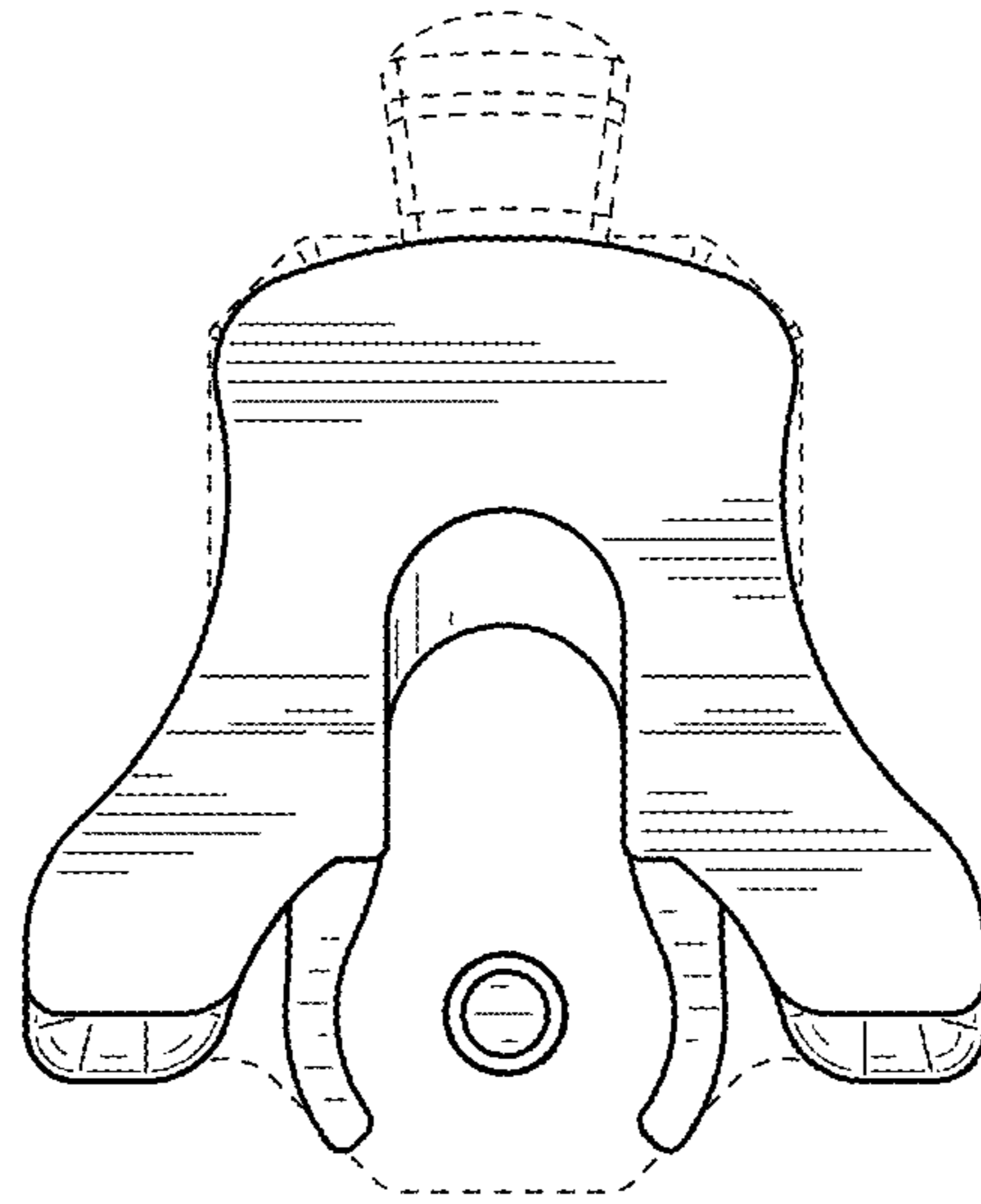


FIG. 6

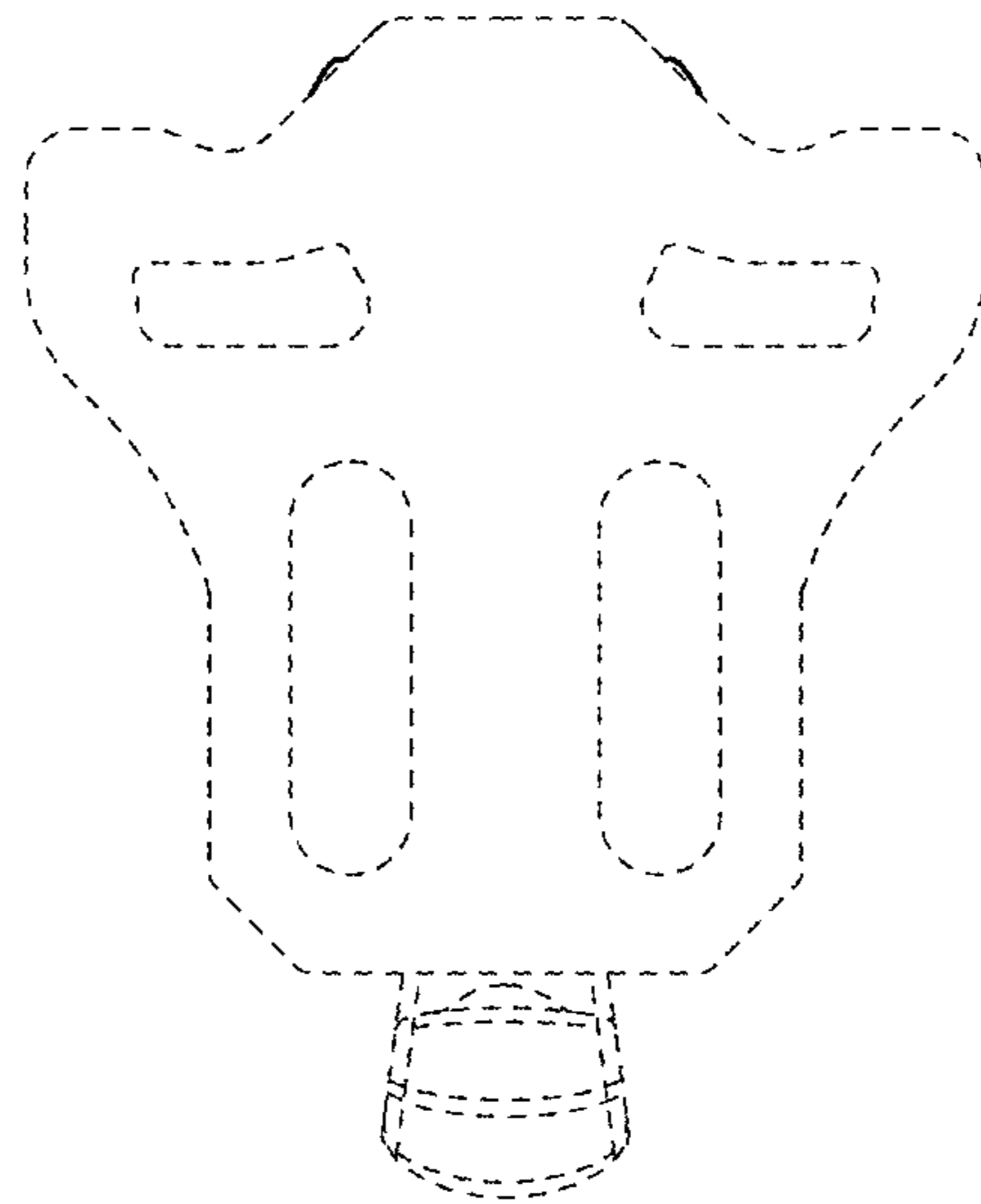


FIG. 7

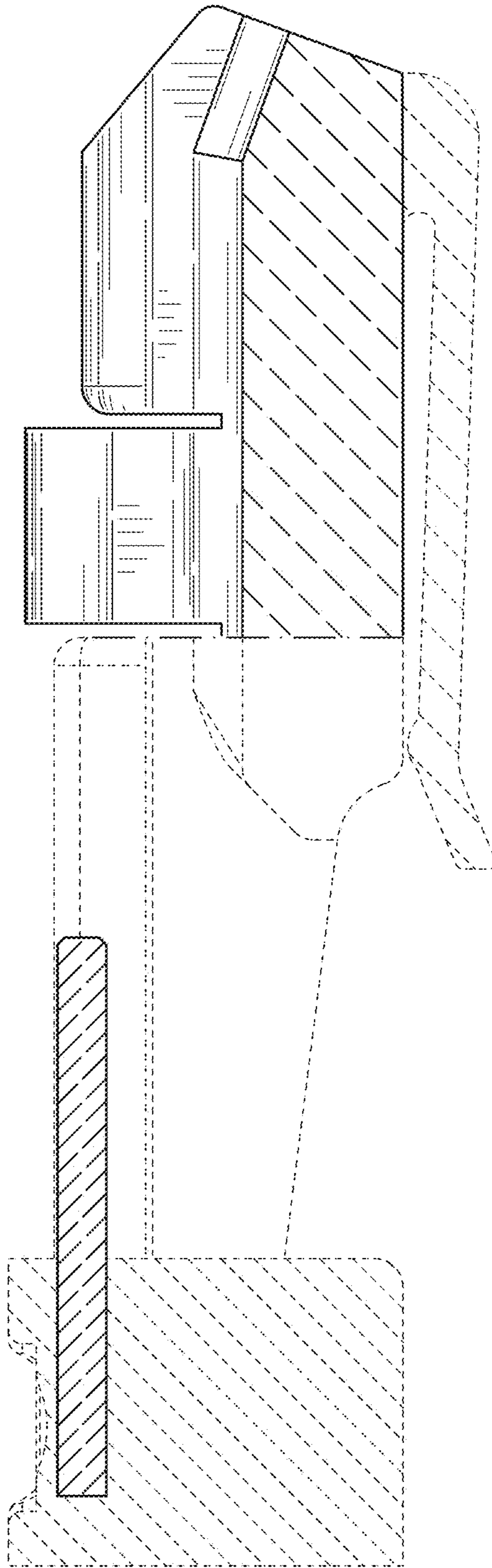


FIG. 8