



US0D1015085S

(12) **United States Design Patent** (10) **Patent No.:** **US D1,015,085 S**
Liu (45) **Date of Patent:** **** Feb. 20, 2024**

(54) **VEGETABLE SPIRALIZER**
(71) Applicant: **GUANGZHOU JIANGHU INTELLIGENT ELECTRICAL APPARATUS CO., LTD.**, Guangzhou (CN)

(72) Inventor: **Minji Liu**, Guangzhou (CN)

(73) Assignee: **GUANGZHOU JIANGHU INTELLIGENT ELECTRICAL APPARATUS CO., LTD.**, Guangzhou (CN)

(**) Term: **15 Years**

(21) Appl. No.: **29/809,353**

(22) Filed: **Sep. 27, 2021**

(51) **LOC (14) Cl.** **07-06**

(52) **U.S. Cl.**
USPC **D7/693**

(58) **Field of Classification Search**
USPC D7/381, 382, 383, 384, 385, 672, 673, D7/674, 675, 676, 678, 693, 669
CPC A47J 43/25; A47J 17/02; B26B 29/063
See application file for complete search history.

(56) **References Cited**

U.S. PATENT DOCUMENTS

1,744,422	A *	1/1930	Taylor	A47J 25/00
					D7/693
D183,384	S *	8/1958	de Mille	D7/381
D241,404	S *	9/1976	Mantelet	D7/384
D284,825	S *	7/1986	Zinbarg	D7/672
D581,225	S *	11/2008	de Groote	D7/678
D612,667	S *	3/2010	Klotz	D7/381
D673,006	S *	12/2012	Kent	D7/693
D776,498	S *	1/2017	Verbrugge	D7/381
D821,828	S *	7/2018	Chen	D7/693
11,325,274	B1 *	5/2022	Leung	B26D 7/2614

D955,830	S *	6/2022	Lin	D7/381
2014/0030408	A1 *	1/2014	Holcomb	A47J 17/02
					99/585
2016/0089803	A1 *	3/2016	Fox	B26B 29/063
					83/52
2016/0297088	A1 *	10/2016	Slutsky	B26B 29/063

(Continued)

OTHER PUBLICATIONS

Gladicer Handheld Spiralizer, available in amazon.com, date first available Feb. 3, 2023, site visited Sep. 16, 2023, Internet URL: <<https://www.amazon.com/GLADICER-Handheld-Spiralizer/dp/B0BTSQTG2M?th=1>> (Year: 2023).*

(Continued)

Primary Examiner — Andrew Kerr
Assistant Examiner — Courtney J Clark-Rasheed

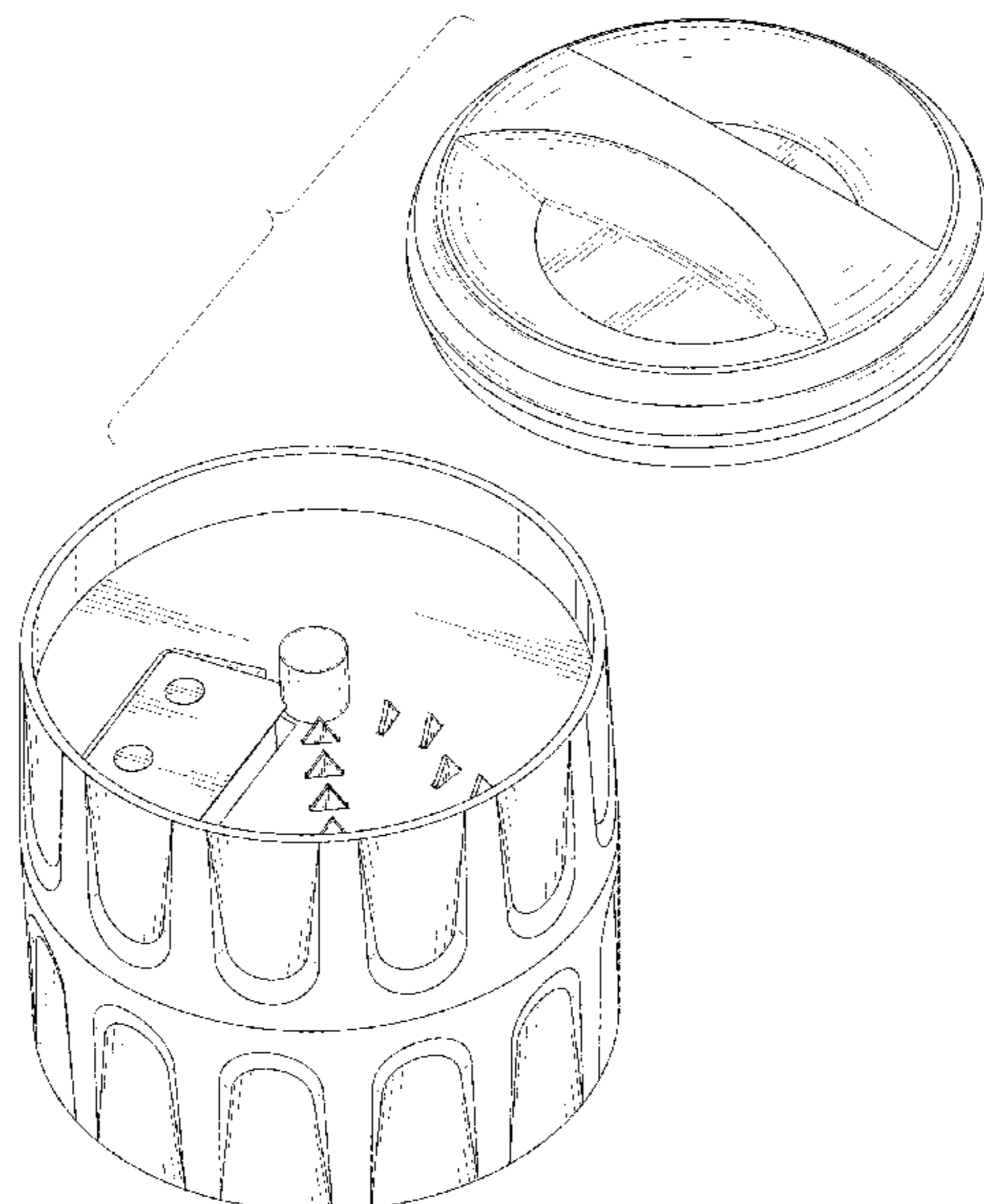
(57) **CLAIM**

The ornamental design for a vegetable spiralizer, as shown and described.

DESCRIPTION

FIG. 1 is a perspective view of a vegetable spiralizer showing my new design;
FIG. 2 is another perspective view thereof;
FIG. 3 is a front elevational view thereof;
FIG. 4 is a rear elevational view thereof;
FIG. 5 is a left side elevational view thereof;
FIG. 6 is a right side elevational view thereof;
FIG. 7 is a top plan view thereof;
FIG. 8 is a bottom plan view thereof;
FIG. 9 is an exploded perspective view of the vegetable spiralizer; and,
FIG. 10 is a perspective view of the vegetable spiralizer where the vegetable spiralizer is in a configuration of use.
The broken lines in the drawings depict portions of the vegetable spiralizer that form no part of the claimed design.

1 Claim, 10 Drawing Sheets



(56)

References Cited

U.S. PATENT DOCUMENTS

2019/0110644 A1* 4/2019 Sanchez A47J 43/25
2022/0009701 A1* 1/2022 Nagoshi B26D 3/28

OTHER PUBLICATIONS

1pc, Reusable Vegetable Spiralizer, available in temu.com, announced year unknown, site visited Sep. 16, 2023, Internet URL: <https://www temu.com/us-es/goods_snapshot.html?goods_id=601099515526990&title=Details&refer_page_name=goods&refer_page_id=10032_1694872554114_m2nv909qwx&refer_page_sn> (Year: 2023).*

* cited by examiner

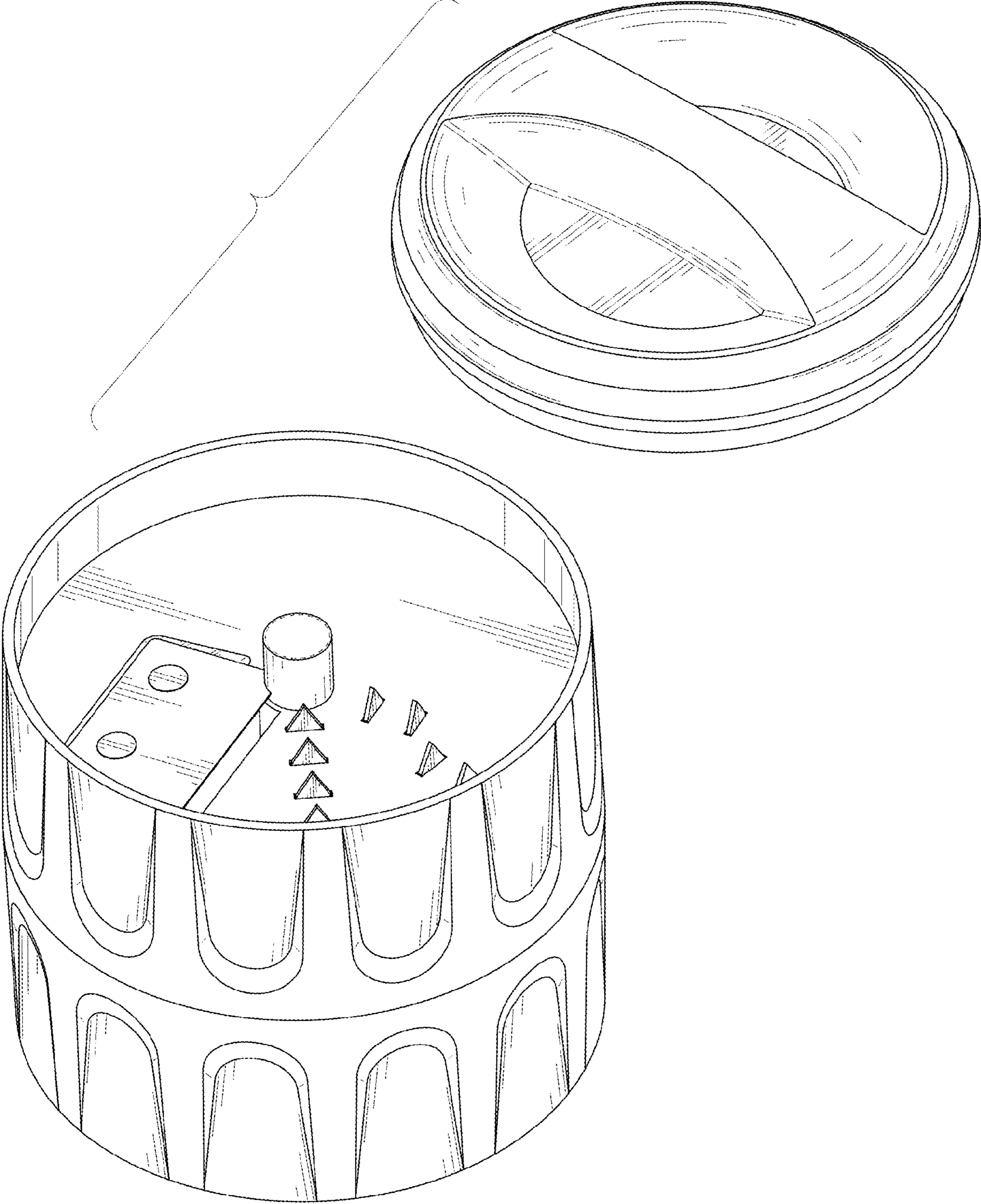


FIG. 1

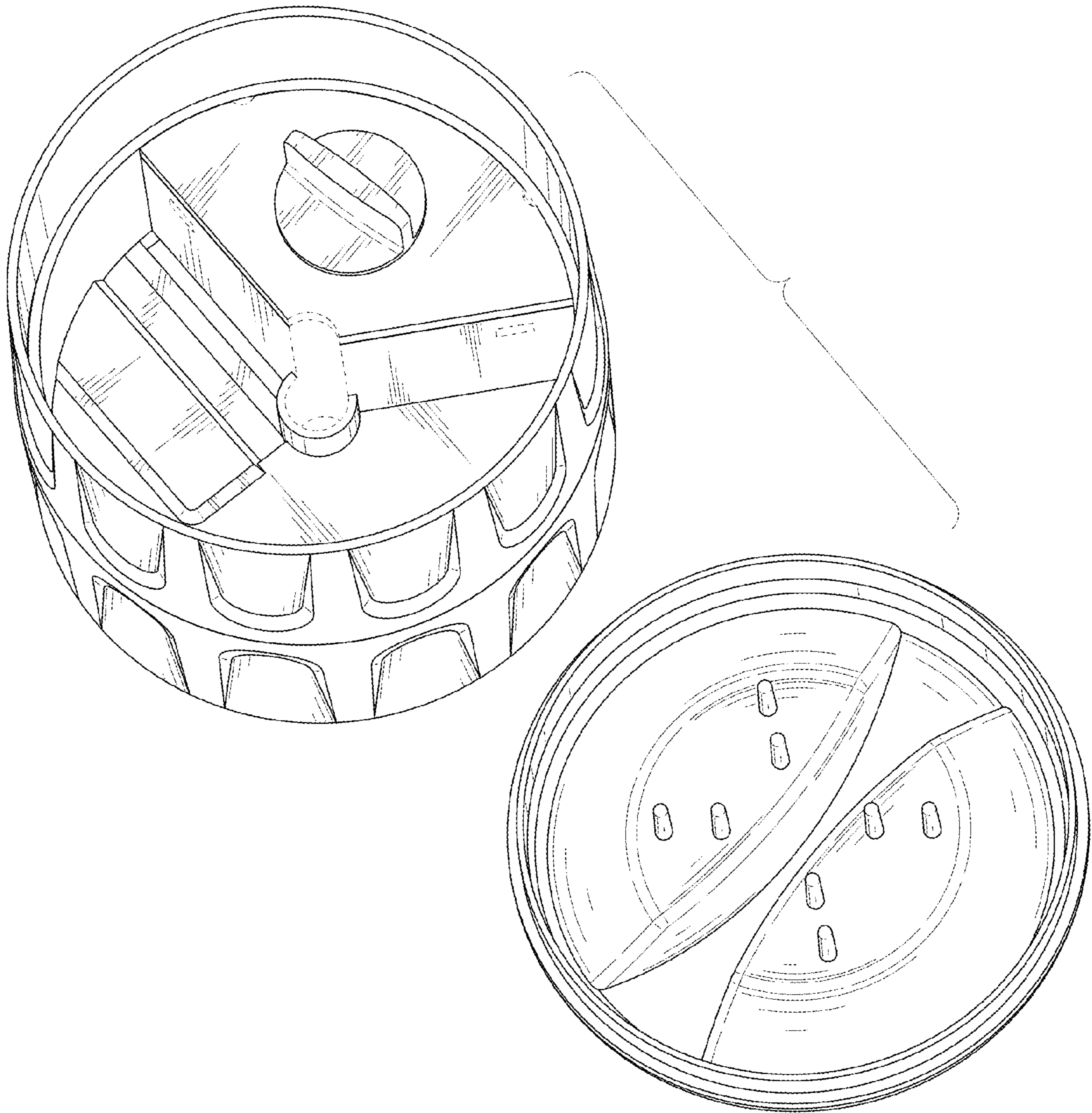


FIG. 2

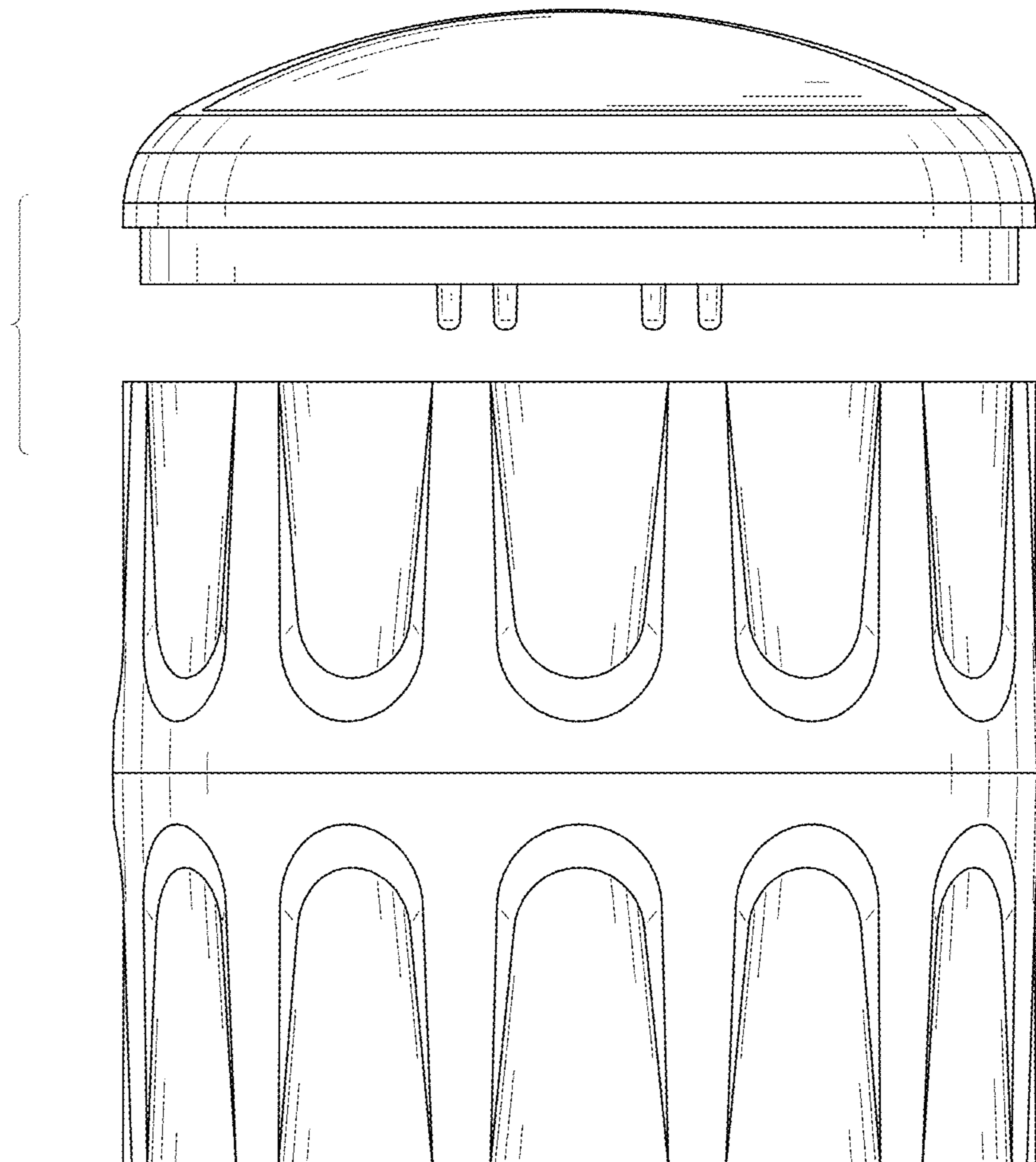


FIG. 3

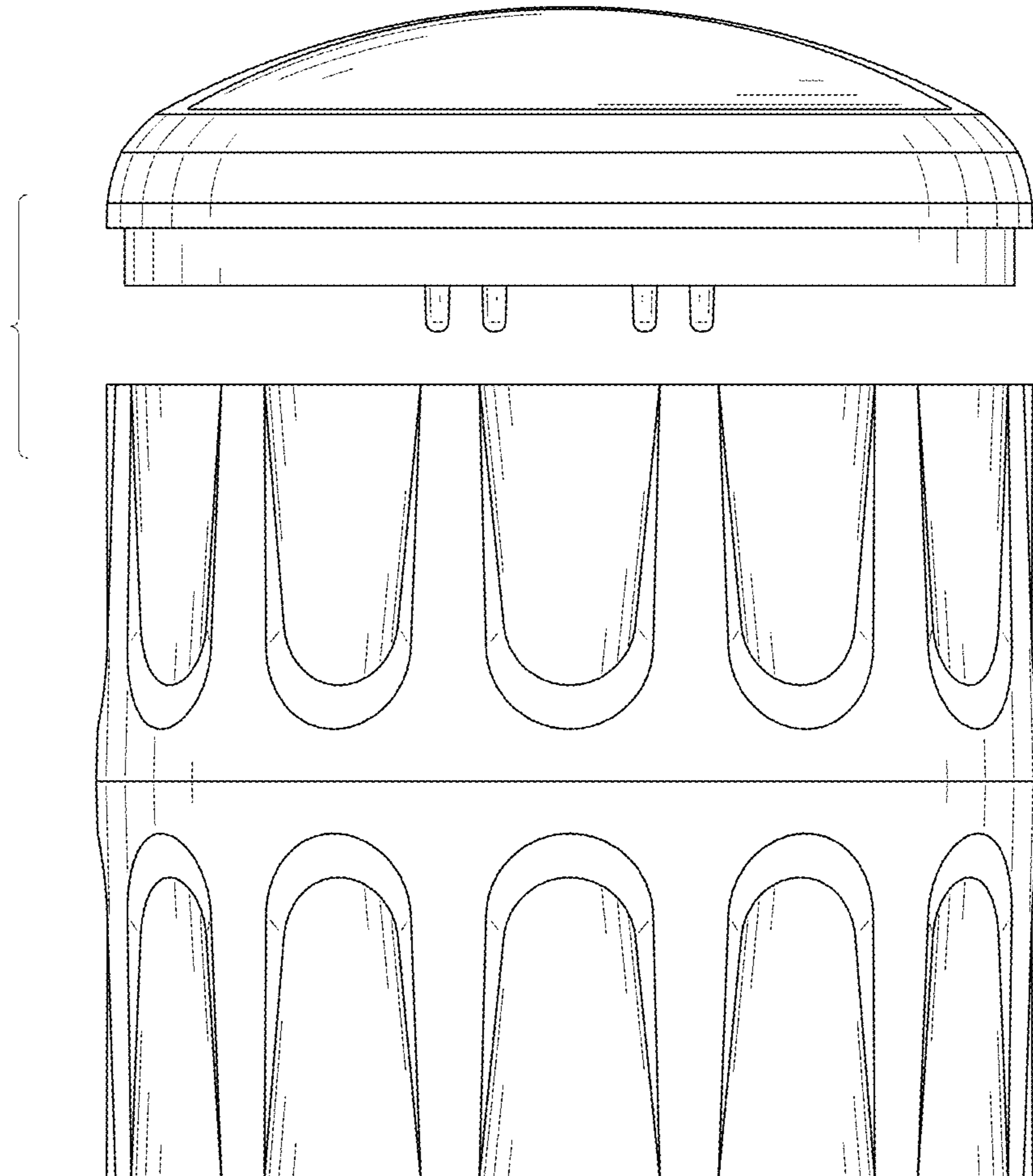


FIG. 4

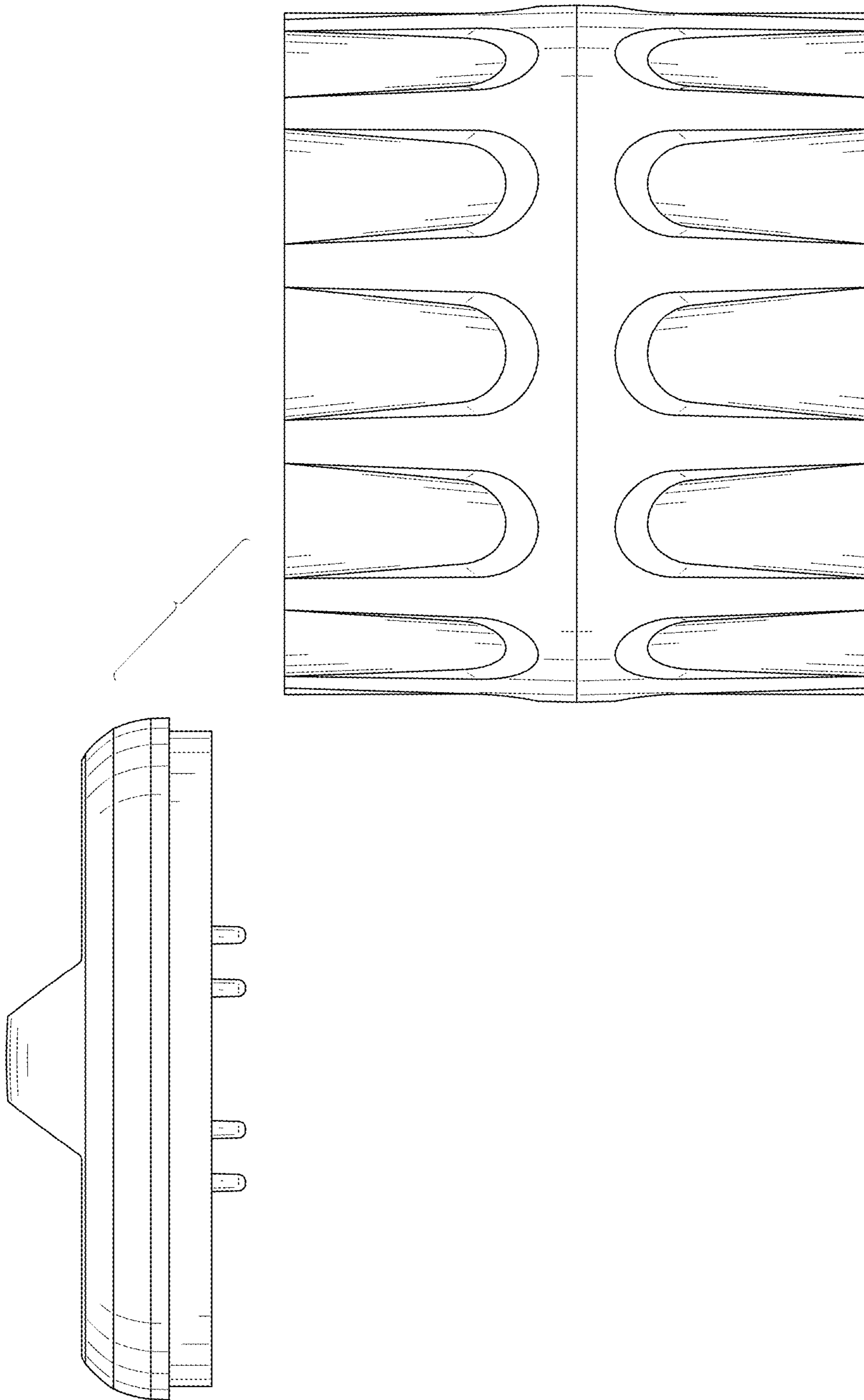


FIG. 5

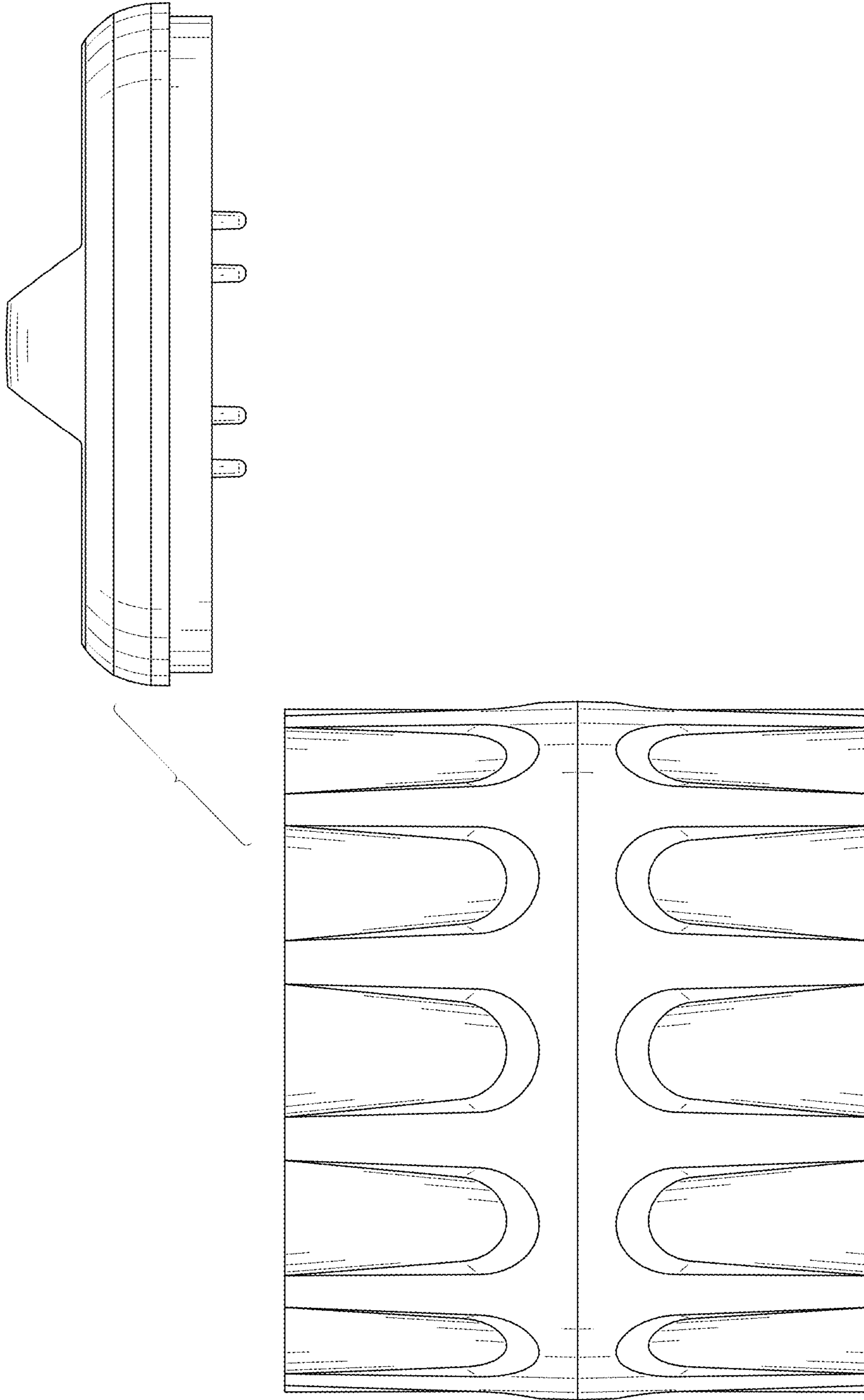


FIG. 6

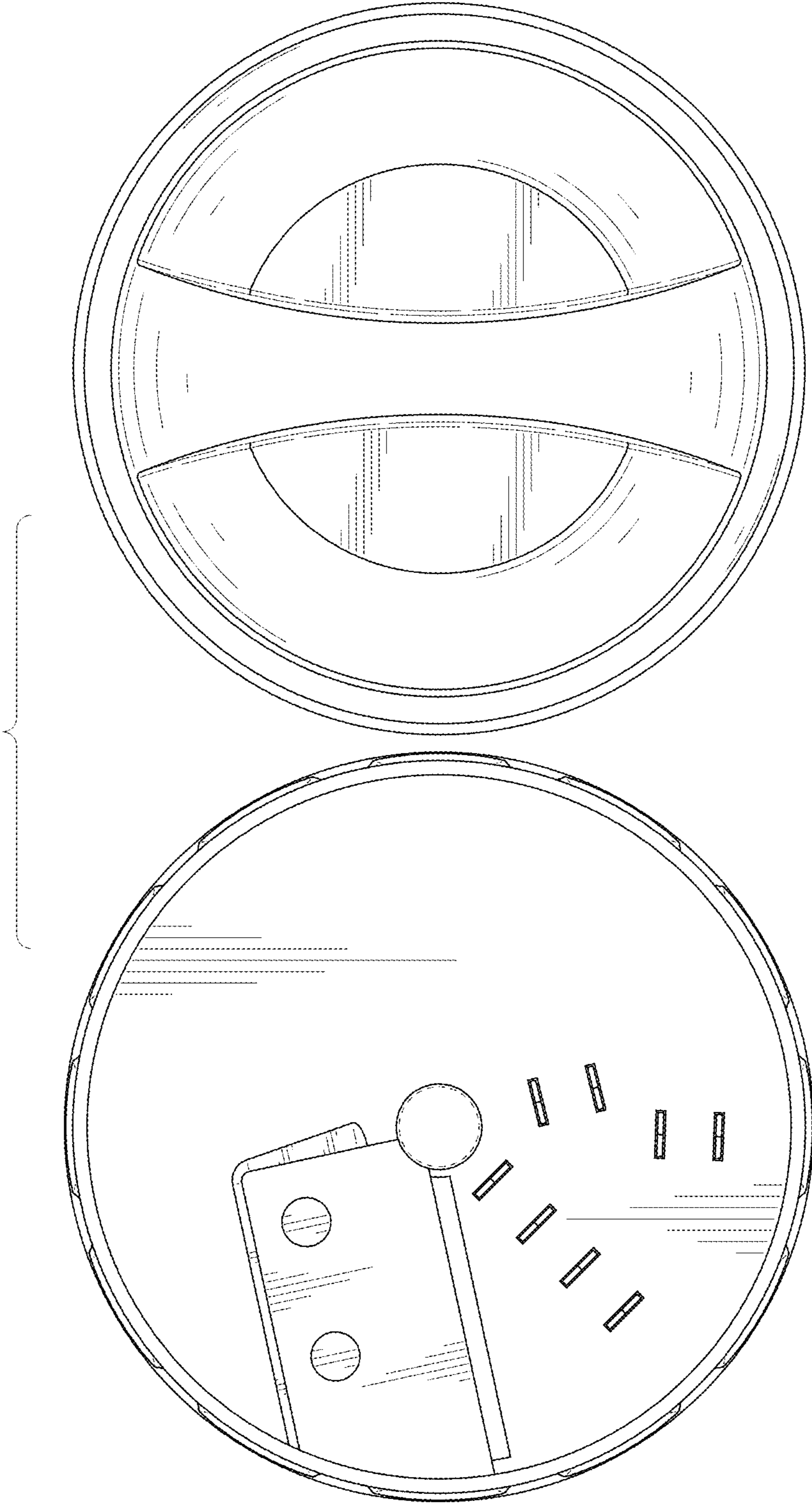


FIG. 7

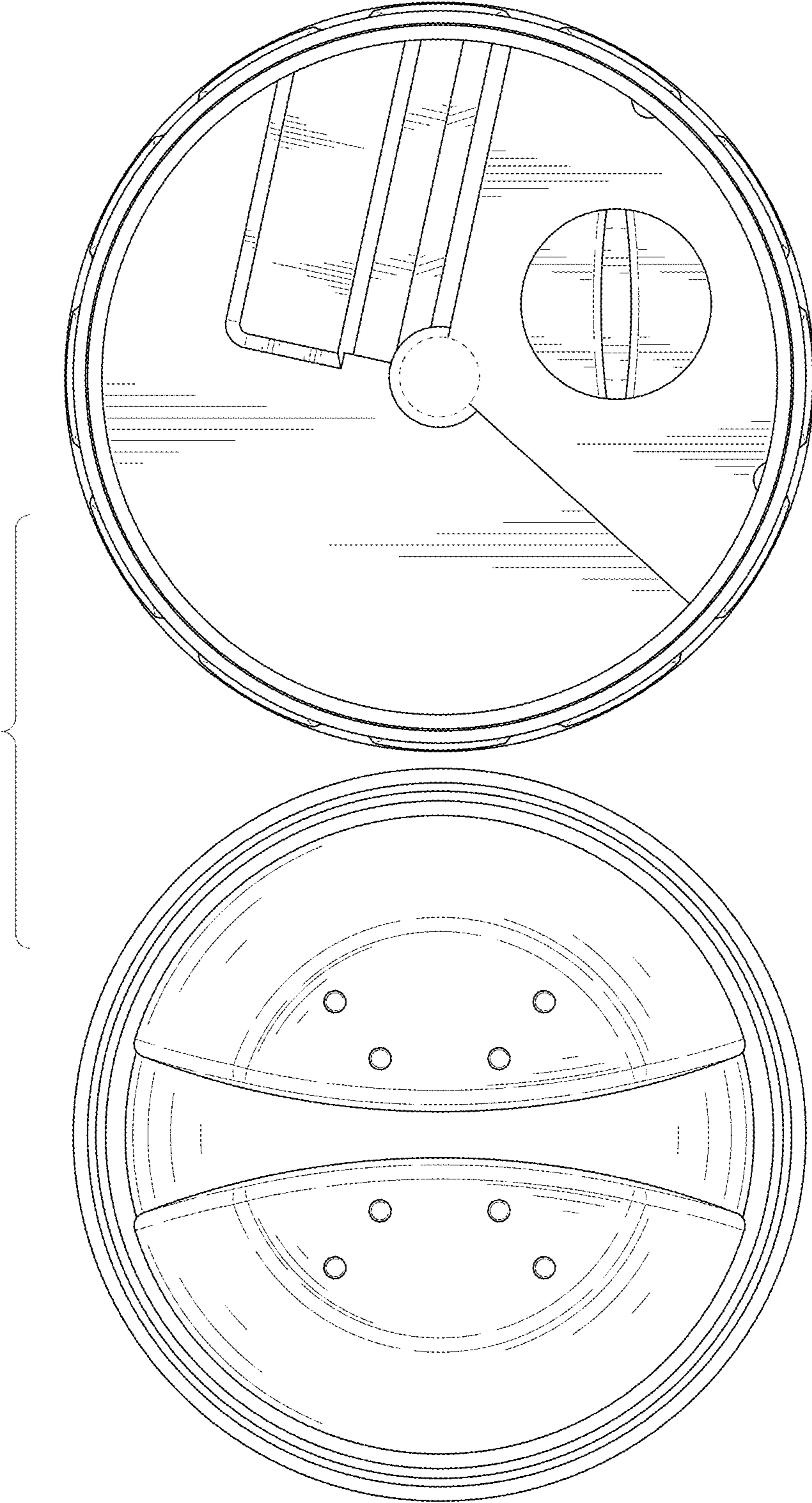


FIG. 8

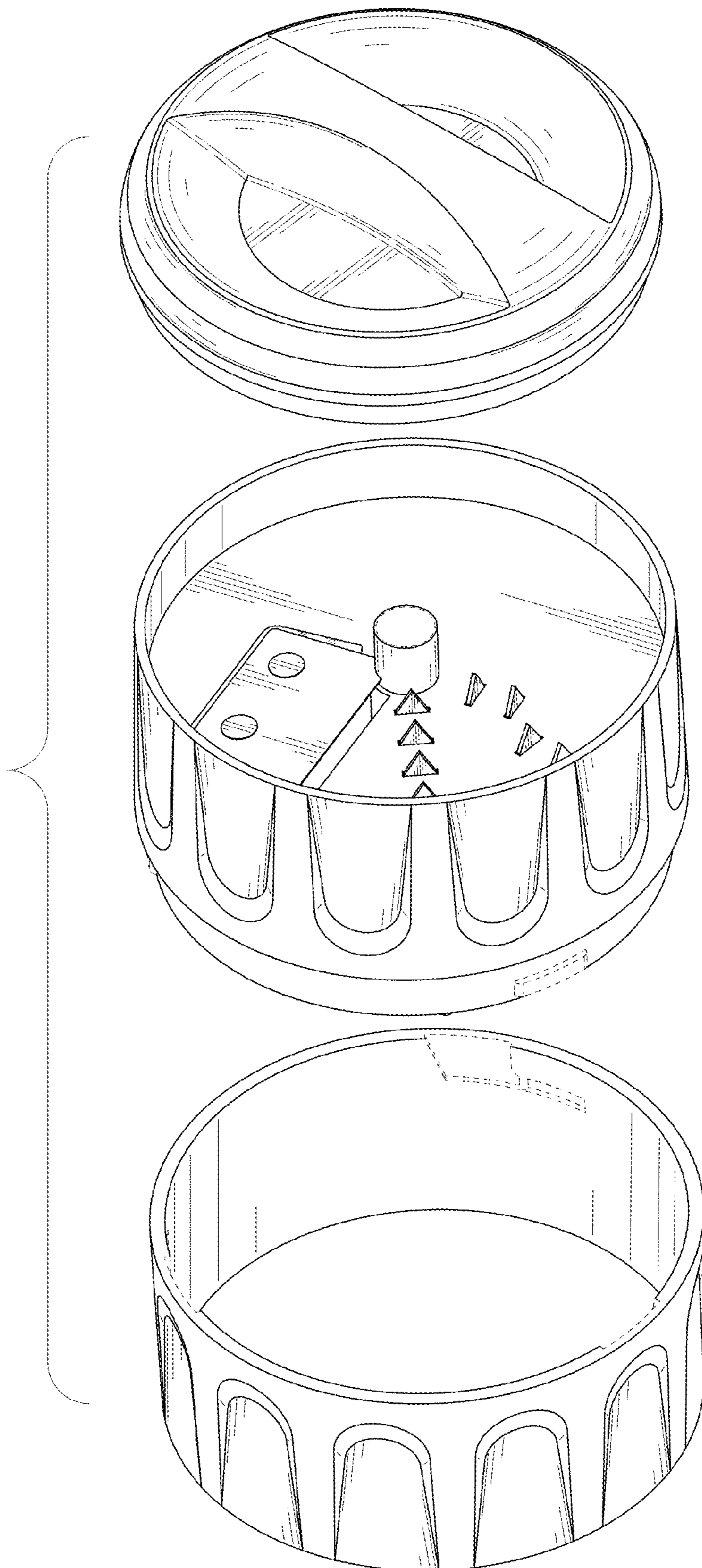


FIG. 9

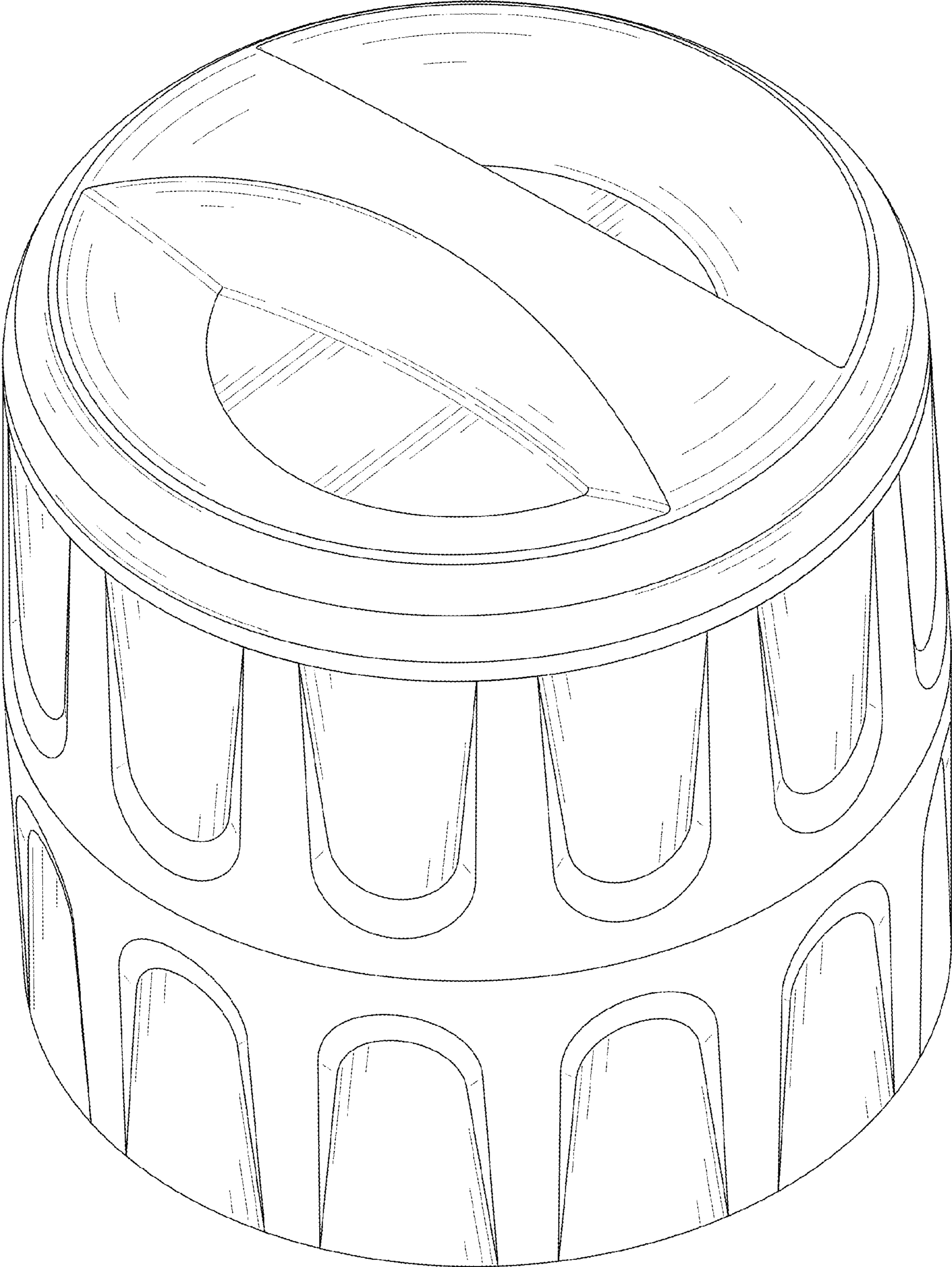


FIG. 10