



US0D1014965S

(12) **United States Design Patent** (10) **Patent No.:** **US D1,014,965 S**  
**Bullock et al.** (45) **Date of Patent:** **\*\* Feb. 20, 2024**

(54) **CONTAINER**

FOREIGN PATENT DOCUMENTS

(71) Applicant: **YETI Coolers, LLC**, Austin, TX (US)

BE 1013040 A3 8/2001  
BE 1016429 A3 10/2006

(72) Inventors: **Dustin Bullock**, Austin, TX (US);  
**Walter T. Blanchard**, Manor, TX (US);  
**Nicholas James Lombardi**, Austin, TX (US);  
**Michael Christopher Cieszko**, Austin, TX (US);  
**Derek G. Sullivan**, Austin, TX (US)

(Continued)

(73) Assignee: **YETI Coolers, LLC**, Austin, TX (US)

OTHER PUBLICATIONS

(\*\*) Term: **15 Years**

GoBox 60 Gear Case, Yeti, [online], [site visited Apr. 18, 2023], Available from internet URL: <https://www.yeti.com/cargo/storage/26010000216.html> (Year: 2023).\*

(21) Appl. No.: **29/847,095**

(Continued)

(22) Filed: **Jul. 21, 2022**

*Primary Examiner* — Catherine Ho

*Assistant Examiner* — Natalya M Rapundalo

(74) *Attorney, Agent, or Firm* — Banner & Witcoff, Ltd.

**Related U.S. Application Data**

(62) Division of application No. 29/762,442, filed on Dec. 16, 2020, now Pat. No. Des. 985,937.

(57) **CLAIM**

(51) **LOC (14) Cl.** ..... **03-01**

The ornamental design for a container, as shown and described.

(52) **U.S. Cl.**

USPC ..... **D3/276**; D3/294; D7/605

(58) **Field of Classification Search**

USPC ..... D7/387, 601, 602, 605, 606, 607, 629,  
D7/701, 703, 709; D3/201, 272, 273,  
D3/276, 279, 281, 282, 294; D15/81, 83,  
D15/89

CPC ..... A45C 11/20; A47G 23/04; B65D 81/38;  
B65D 81/3813; B65D 81/3816; B65D  
81/3818; B65D 81/382; B65D 81/3823;  
B65D 81/3825; B65D 81/3827; B65D  
81/383; B65D 81/3832; B65D 81/3834;  
F25D 3/02; F25D 3/06; F25D 3/08; F25D

(Continued)

**DESCRIPTION**

FIG. 1 is a front perspective view of a container showing our new design;

FIG. 2 is a front view thereof;

FIG. 3 is a rear view thereof;

FIG. 4 is a right side view thereof;

FIG. 5 is a left side view thereof;

FIG. 6 is a top view thereof; and,

FIG. 7 is a bottom view thereof.

The dot-dash broken lines immediately adjacent to the shaded areas represent the bounds of the claimed design and form no part of the claimed design. The dashed broken lines show portions of the container and form no part of the claimed design.

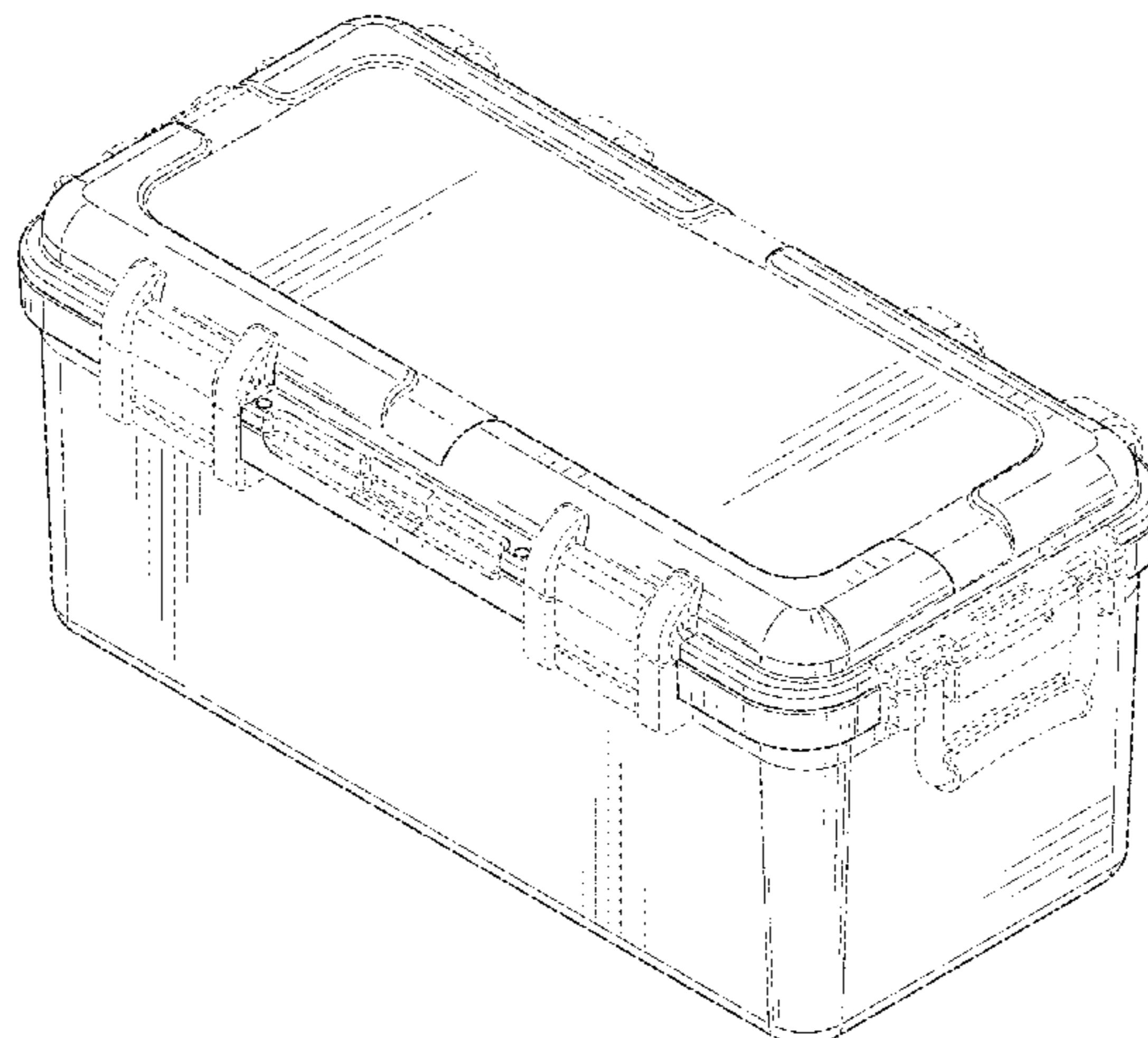
(56) **References Cited**

U.S. PATENT DOCUMENTS

286,909 A 10/1883 Commander  
749,959 A 1/1904 Curtiss  
1,008,041 A 11/1911 Leonard

(Continued)

**1 Claim, 6 Drawing Sheets**



(58) **Field of Classification Search**  
 CPC . 3/105; F25D 3/107; F25D 3/125; F25D 3/14  
 See application file for complete search history.

(56) **References Cited**

U.S. PATENT DOCUMENTS

1,056,648 A	3/1913	Earley	4,515,421 A	5/1985	Steffes
2,028,339 A	1/1936	Levine et al.	4,516,686 A	5/1985	Chaussepied
2,101,337 A	12/1937	Komenak	4,522,312 A	6/1985	Rathgeber et al.
2,109,928 A	3/1938	Passalaqua	4,523,692 A	6/1985	Lemkin
2,183,121 A	12/1939	Levine	4,550,813 A	11/1985	Browning
2,439,660 A	4/1948	Keil	4,561,526 A	12/1985	Winter et al.
2,455,069 A	11/1948	Lauder	4,573,202 A	2/1986	Lee
2,472,491 A	6/1949	Quinton	4,575,109 A	3/1986	Cowdery
2,510,643 A	6/1950	Long	D283,666 S	5/1986	Holzkopf
2,565,939 A	8/1951	Wriston	4,592,482 A	6/1986	Seager
2,574,089 A	11/1951	Cochran	4,615,464 A	10/1986	Byrns
2,577,951 A	12/1951	Cortsen	4,662,188 A	5/1987	Hullihan
2,581,417 A	1/1952	Jones	4,673,207 A	6/1987	Reynolds et al.
2,604,961 A	7/1952	Koch	D290,908 S	7/1987	Thomas
2,647,653 A	8/1953	Dube	4,706,344 A	11/1987	Tanaka et al.
2,717,093 A	9/1955	Mautner	4,707,011 A	11/1987	McKim, Jr.
2,747,732 A	5/1956	Fischer	4,712,657 A	12/1987	Myers et al.
2,803,956 A	8/1957	Womer	4,746,008 A	5/1988	Heverly et al.
2,874,401 A	2/1959	Kotkins	4,768,815 A	9/1988	Harmon
2,912,080 A	11/1959	Ikelheimer	4,775,072 A	10/1988	Lundblade et al.
2,931,205 A	4/1960	Schmitz	4,792,024 A	12/1988	Morton et al.
2,936,189 A	5/1960	Pearson	4,802,344 A	2/1989	Livingston et al.
3,009,193 A	11/1961	Lifton	4,805,272 A	2/1989	Yamaguchi
3,057,636 A	10/1962	D'Ettorre	4,826,060 A	5/1989	Hollingsworth
3,141,680 A	7/1964	McCord	4,858,444 A	8/1989	Scott
3,191,244 A	6/1965	Burke	4,873,841 A	10/1989	Bradshaw et al.
3,202,310 A	8/1965	Tibbets	4,899,904 A	2/1990	Dooley et al.
3,225,983 A	12/1965	Majka	4,904,007 A	2/1990	Woodruff
3,250,558 A	5/1966	McClintock	4,917,261 A	4/1990	Borst
3,259,412 A	7/1966	Wheeler	4,928,800 A	5/1990	Green et al.
3,416,701 A	12/1968	Kramer et al.	4,930,649 A	6/1990	Moser
3,432,025 A	3/1969	Luhe	4,975,073 A	12/1990	Weisman
3,464,579 A	9/1969	Asenbauer	4,982,863 A	1/1991	Skillius
3,519,298 A	7/1970	Gley	5,011,013 A	4/1991	Meisner et al.
3,565,305 A	2/1971	Belokin, Jr.	5,011,020 A	4/1991	Stevens et al.
3,642,168 A	2/1972	Wiley, Jr. et al.	5,014,830 A	5/1991	Seynhaeve
3,656,650 A	4/1972	Frater	5,024,471 A	6/1991	Kahl et al.
3,661,410 A	5/1972	Larson et al.	5,040,834 A	8/1991	Kahl et al.
3,688,942 A	9/1972	Mitchell et al.	5,044,513 A	9/1991	Van Berne
3,690,708 A	9/1972	Worley et al.	5,062,557 A	11/1991	Mahvi et al.
3,741,433 A	6/1973	Bentley et al.	5,075,925 A	12/1991	Maloney
3,831,224 A	8/1974	MacMaster et al.	5,080,250 A	1/1992	Dickinson et al.
3,847,423 A	11/1974	Gley	5,096,030 A	3/1992	Espinosa et al.
3,861,504 A	1/1975	McGraw	5,101,541 A	4/1992	Watanabe
3,882,914 A	5/1975	Strutz	5,105,920 A	4/1992	Grebenstein
3,886,625 A	6/1975	Rollband	5,111,920 A	5/1992	Castelli et al.
3,902,628 A	9/1975	Schurman	D327,427 S	6/1992	McCooey
3,915,362 A	10/1975	Hart	5,117,952 A	6/1992	Suh
3,917,038 A	11/1975	Foge et al.	D328,186 S	7/1992	Hanke
3,933,269 A	1/1976	Mastrovito	5,139,294 A	8/1992	Ward et al.
3,955,656 A	5/1976	Kashinski	D329,135 S	9/1992	Embree
3,987,829 A	10/1976	Leone	5,153,561 A	10/1992	Johnson
3,991,921 A	11/1976	Hirsch	5,165,583 A	11/1992	Kouwenberg
4,094,392 A	6/1978	Gregg et al.	5,167,433 A	12/1992	Ryan
4,095,711 A	6/1978	Conley	5,169,018 A	12/1992	Fiore
4,116,479 A	9/1978	Poe	D333,775 S	3/1993	Krape
4,143,442 A	3/1979	Harlang	D334,870 S	4/1993	Griffin
4,153,178 A	5/1979	Weavers	D335,030 S	4/1993	Alfonso
4,184,705 A	1/1980	Little	5,205,413 A	4/1993	Cautereels et al.
D256,630 S	9/1980	Maney	5,213,381 A	5/1993	Anderson
D257,218 S	10/1980	Eriksson	5,216,905 A	6/1993	Sersch et al.
4,249,760 A	2/1981	Conley	5,235,830 A	8/1993	Benge
4,254,850 A	3/1981	Knowles	D340,167 S	10/1993	Kahl
4,273,223 A	6/1981	Tomlinson	D342,609 S	12/1993	Brightbill
4,343,412 A	8/1982	Wilcox et al.	5,269,157 A	12/1993	Ciminelli et al.
4,351,165 A	9/1982	Gottsegen et al.	5,282,706 A	2/1994	Anthony et al.
4,446,705 A	5/1984	Loucks	5,295,369 A	3/1994	Garcia
4,465,189 A	8/1984	Molzan	D347,114 S	5/1994	Tengvall
4,476,988 A	10/1984	Tanner	5,313,817 A	5/1994	Meinders
4,509,622 A	4/1985	Morszeck	D347,971 S	6/1994	Krugman
			D348,343 S	6/1994	Lang-Ree et al.
			5,319,937 A	6/1994	Fritsch et al.
			5,322,178 A	6/1994	Foos
			5,335,451 A	8/1994	Druzynski
			D351,533 S	10/1994	Lynam, Jr.
			5,353,946 A	10/1994	Behrend
			5,358,082 A	10/1994	Armstrong, IV
			5,373,708 A	12/1994	Dumoulin, Jr.
			D355,568 S	2/1995	Paulin et al.

(56)

References Cited

U.S. PATENT DOCUMENTS

5,390,811 A	2/1995	Ogino et al.	5,839,553 A	11/1998	Dorsam
5,398,807 A	3/1995	Plath	5,860,281 A	1/1999	Coffee et al.
5,402,557 A	4/1995	Dalen	5,865,281 A	2/1999	Wang
D358,765 S	5/1995	Dickinson et al.	5,875,948 A	3/1999	Sadler
5,419,432 A	5/1995	Ingram	5,876,048 A	3/1999	Lee
5,423,644 A	6/1995	First, Sr.	5,887,745 A	3/1999	Wood
5,427,308 A	6/1995	Swift et al.	5,896,962 A	4/1999	Smith et al.
D359,836 S	7/1995	Shuler	5,901,571 A	5/1999	Whaley
5,431,263 A	7/1995	Nordstrom	5,904,269 A	5/1999	Wolff
5,435,256 A	7/1995	Svehaug	D410,387 S	6/1999	Jacques
D361,664 S	8/1995	Brown	5,924,303 A	7/1999	Hodosh
D361,888 S	9/1995	Kahl et al.	5,933,929 A	8/1999	Kawakami et al.
5,454,477 A	10/1995	Bornhorst et al.	5,934,716 A	8/1999	Koveal et al.
D364,426 S	11/1995	Bucaccio	5,940,940 A	8/1999	Tanikoshi et al.
5,465,985 A	11/1995	Devan et al.	5,950,368 A	9/1999	Bradford
5,474,162 A	12/1995	Shyr et al.	5,956,805 A	9/1999	Huang
5,478,097 A	12/1995	Forma	5,957,321 A	9/1999	Jones
D367,360 S	2/1996	Wolff	D414,673 S	10/1999	Dickinson et al.
D368,161 S	3/1996	Miller	5,971,218 A	10/1999	Le
D369,342 S	4/1996	Williams	5,975,334 A	11/1999	Mayo
D369,695 S	5/1996	Imotani	5,984,064 A	11/1999	Byington
5,518,139 A	5/1996	Trower et al.	5,984,326 A	11/1999	Abraham et al.
5,519,919 A	5/1996	Lee	5,984,382 A	11/1999	Bourne et al.
D370,619 S	6/1996	Hall et al.	5,988,658 A	11/1999	Ritchie et al.
D371,051 S	6/1996	Melk	6,015,072 A	1/2000	Young
D371,052 S	6/1996	Melk	D419,767 S	2/2000	Richardson et al.
5,524,737 A	6/1996	Wang	D419,768 S	2/2000	Richardson et al.
5,526,953 A	6/1996	Chieng	D420,221 S	2/2000	Williams et al.
D371,724 S	7/1996	Melk	6,039,205 A	3/2000	Flink
D371,942 S	7/1996	Lippincott et al.	6,047,976 A	4/2000	Wang
5,533,231 A	7/1996	Bai	6,050,373 A	4/2000	Wonka et al.
D373,514 S	9/1996	Melk	D425,301 S	5/2000	Sagol
D373,515 S	9/1996	Melk	6,070,888 A	6/2000	Wang
D374,772 S *	10/1996	Hotaling ..... D3/276	6,079,083 A	6/2000	Akashi
5,564,805 A	10/1996	Dickinson	6,079,754 A	6/2000	Alexy
5,568,848 A	10/1996	Liang	D427,882 S	7/2000	Wytcherley et al.
5,570,915 A	11/1996	Asadurian	D428,254 S	7/2000	Alexander-Katz
5,575,362 A	11/1996	Franklin et al.	D428,698 S	8/2000	Cheng
5,590,891 A	1/1997	Kazmark, Jr.	D429,606 S *	8/2000	Israel ..... D7/605
5,603,545 A	2/1997	Benson et al.	D429,966 S *	8/2000	Israel ..... D7/605
5,620,212 A	4/1997	Bourne et al.	6,105,767 A	8/2000	Vasudeva
5,620,213 A	4/1997	Ellis	6,129,231 A	10/2000	Hsiao et al.
5,626,373 A	5/1997	Chambers et al.	6,135,253 A	10/2000	Weissman et al.
5,630,630 A	5/1997	Price et al.	6,152,501 A	11/2000	Magi et al.
D380,369 S	7/1997	Antonucci	D435,780 S	1/2001	Tieu
D381,512 S	7/1997	Green	6,167,994 B1	1/2001	Kuo et al.
D381,562 S	7/1997	Westcott	6,170,122 B1	1/2001	Kuo
D381,871 S	8/1997	Melk	6,176,499 B1	1/2001	Conrado et al.
D382,114 S	8/1997	Dickinson et al.	6,176,559 B1	1/2001	Tiramani et al.
D383,306 S	9/1997	Pennoyer	6,179,176 B1	1/2001	Saggese et al.
D383,603 S	9/1997	Pedlar	D440,118 S	4/2001	Claffy et al.
5,662,223 A	9/1997	Sylegçrd	D441,954 S	5/2001	Parker
5,683,097 A	11/1997	Fenton et al.	6,234,287 B1	5/2001	Pfeiffer
5,688,001 A	11/1997	Klein et al.	6,244,064 B1	6/2001	Powell et al.
D387,249 S	12/1997	Mogil	6,244,066 B1	6/2001	LaRose
D387,558 S	12/1997	Mann et al.	6,244,458 B1	6/2001	Frysinger et al.
D387,626 S	12/1997	Melk	6,247,203 B1	6/2001	Kuo
5,704,158 A	1/1998	Whiteaker	6,247,328 B1	6/2001	Mogil
5,718,350 A	2/1998	Williams	6,260,240 B1	7/2001	Akashi et al.
D392,510 S	3/1998	Perez	6,279,971 B1	8/2001	Dessenberger, Jr.
5,727,844 A	3/1998	O'Quinn et al.	6,289,554 B1	9/2001	Wang
5,732,987 A	3/1998	Wright et al.	6,289,684 B1	9/2001	Guidry, II et al.
5,755,311 A	5/1998	Younessian et al.	D449,163 S	10/2001	Dahlen et al.
5,762,242 A	6/1998	Yost	6,305,185 B1	10/2001	Sloan
5,762,411 A	6/1998	Yemini	D451,278 S	12/2001	Cooper
5,769,194 A	6/1998	Chang	D451,765 S *	12/2001	Israel ..... B65D 81/3823 D7/605
5,797,488 A	8/1998	Yemini	6,338,586 B1	1/2002	Kuo
5,797,617 A	8/1998	Lin	6,343,815 B1	2/2002	Poe
5,803,472 A	9/1998	Lien	D454,292 S	3/2002	Plummer et al.
5,813,503 A	9/1998	Chang	6,353,978 B1	3/2002	Kawahara et al.
5,816,185 A	10/1998	Ruthrford	6,357,080 B1	3/2002	Tsai
5,823,550 A	10/1998	Bennett et al.	6,360,400 B1	3/2002	Chang
5,826,718 A	10/1998	Ahern, Jr. et al.	6,363,739 B1	4/2002	Hodosh et al.
5,826,770 A	10/1998	Chuang	6,367,602 B1	4/2002	Chang
5,829,558 A	11/1998	Cheng	6,371,320 B2	4/2002	Sagol
			6,371,346 B1	4/2002	Sharma
			6,375,237 B1	4/2002	Koenig
			D457,724 S	5/2002	Och

(56)

## References Cited

## U.S. PATENT DOCUMENTS

D457,725 S	5/2002	Parsons	D505,011 S	5/2005	Einav
6,389,645 B1	5/2002	Polidoro	6,895,789 B2	5/2005	Masseth, Jr. et al.
6,398,272 B1	6/2002	Plummer et al.	D508,376 S	8/2005	Bhavnani
6,401,308 B1	6/2002	Kawahara	6,929,145 B2	8/2005	Shepler
6,422,386 B1	7/2002	Wiese et al.	6,955,381 B2	10/2005	Parker et al.
6,427,475 B1	8/2002	DeFelice et al.	6,981,780 B2	1/2006	Einav
6,427,501 B2	8/2002	Ramsauer	6,983,946 B2	1/2006	Sullivan et al.
D462,519 S	9/2002	Gaydos et al.	D515,362 S	2/2006	Chan
6,446,382 B1	9/2002	Cloutier et al.	D517,947 S	3/2006	Hollingworth et al.
6,446,988 B1	9/2002	Kho	7,017,740 B2	3/2006	Itzkovitch
D464,196 S	10/2002	Parker	7,028,730 B2	4/2006	Pace et al.
D464,485 S	10/2002	Sward et al.	D520,237 S	5/2006	Cheng
6,467,779 B1	10/2002	Mills	7,040,115 B1	5/2006	Lopez et al.
6,478,463 B2	11/2002	Snider	D522,751 S	6/2006	Irwin et al.
6,481,239 B2	11/2002	Hodosh et al.	D522,811 S	6/2006	Martinez et al.
D466,439 S	12/2002	Wagner et al.	D523,242 S	6/2006	Hardigg et al.
D467,424 S	12/2002	Hardigg et al.	D523,634 S	6/2006	Dost et al.
D467,425 S	12/2002	Hardigg et al.	7,066,311 B2	6/2006	O'Shea
D467,426 S	12/2002	Hardigg et al.	D525,714 S	7/2006	Ueda
6,497,311 B2	12/2002	Tiramani et al.	7,082,641 B1	8/2006	Jung et al.
6,497,438 B1	12/2002	Holub et al.	7,093,699 B2	8/2006	Yu
6,499,574 B1	12/2002	Anthony	D528,800 S	9/2006	Liu et al.
6,502,677 B1	1/2003	Tiramani et al.	D530,095 S	10/2006	Herzberg
6,508,389 B1	1/2003	Ripoyla et al.	7,162,890 B2	1/2007	Mogil et al.
6,520,514 B2	2/2003	Clegg	D537,251 S	2/2007	Musgrove
D471,711 S	3/2003	Addison	7,171,731 B1	2/2007	Borcherding
6,527,309 B1	3/2003	Gaydos et al.	D539,543 S	4/2007	Wu
6,532,624 B1	3/2003	Yang	D540,540 S	4/2007	Szyf et al.
D472,431 S	4/2003	Spence, Jr.	D540,651 S	4/2007	Wolf, V
6,543,096 B2	4/2003	Settelmayer et al.	D540,652 S	4/2007	Wolf, V
6,547,218 B2	4/2003	Landy	D544,211 S	6/2007	Herzberg
6,547,289 B1	4/2003	Greenheck et al.	7,237,660 B2	7/2007	Wu
6,550,592 B1	4/2003	Godshaw et al.	7,246,704 B2	7/2007	Brunson et al.
6,554,327 B1	4/2003	Riley	7,246,718 B2	7/2007	Einav et al.
D474,649 S	5/2003	Spence, Jr.	D552,352 S	10/2007	Lin
6,574,983 B2	6/2003	Smith et al.	D553,857 S	10/2007	Pendergraph et al.
6,585,090 B2	7/2003	Harvey	7,284,393 B1	10/2007	Macmillan
D477,916 S	8/2003	Nykoluk	7,284,763 B1	10/2007	King
D478,782 S	8/2003	Li	D555,902 S	11/2007	Pendergraph et al.
6,612,411 B2	9/2003	Nykoluk et al.	7,296,434 B2	11/2007	Scroggs
6,619,448 B1	9/2003	Wang	7,306,243 B2	12/2007	Van Horn et al.
D481,293 S	10/2003	Ayrest	7,309,106 B2	12/2007	Stallman
6,637,077 B2	10/2003	Doty	D562,646 S	2/2008	Lown et al.
6,637,562 B2	10/2003	Oh	7,334,680 B2	2/2008	Cunningham et al.
D482,593 S	11/2003	Wolf	7,334,802 B2	2/2008	Kaplan
6,640,397 B1	11/2003	Gipson	D563,101 S	3/2008	Kuchler
6,646,864 B2	11/2003	Richardson	7,344,028 B2	3/2008	Hanson
D484,004 S	12/2003	Lee	D566,479 S	4/2008	Kabalin
6,658,903 B1	12/2003	McShane et al.	7,367,451 B2	5/2008	Pendergraph et al.
6,679,358 B2	1/2004	Be	7,370,891 B1	5/2008	Schmitt et al.
6,679,359 B2	1/2004	Pfeiffer	D570,601 S	6/2008	Drew et al.
6,691,451 B1	2/2004	Keenan	D570,603 S	6/2008	Wu et al.
D487,348 S	3/2004	Fenton et al.	7,387,350 B2	6/2008	Killinger et al.
6,698,608 B2	3/2004	Parker et al.	D572,577 S	7/2008	Hatton
6,718,559 B1	4/2004	Davidson	7,397,674 B2	7/2008	Schlack
D489,531 S	5/2004	Oh	D574,150 S	8/2008	Ross
D489,595 S	5/2004	Gleichauf et al.	D574,667 S	8/2008	Grabijas, III et al.
6,736,265 B2	5/2004	Kipper et al.	D575,059 S	8/2008	Cappiello et al.
D490,980 S	6/2004	Concari	7,415,794 B1	8/2008	Thompson
D491,797 S	6/2004	Eriksson	7,418,311 B1	8/2008	Lagassey et al.
D492,184 S	6/2004	Parker et al.	D578,758 S	10/2008	Stevens et al.
6,755,448 B2	6/2004	Jackson et al.	D579,202 S	10/2008	Grenier et al.
D493,286 S	7/2004	Concari	7,434,410 B2	10/2008	Ford
6,757,942 B2	7/2004	Matsui et al.	7,441,641 B2	10/2008	Beakey
6,761,366 B1	7/2004	Klemmensen et al.	D581,161 S	11/2008	Tong
6,779,681 B2	8/2004	Doerfler et al.	D582,678 S	12/2008	Rekuc et al.
6,789,692 B2	9/2004	Prezelin	7,458,481 B2	12/2008	Yuen
6,793,096 B1	9/2004	Seok	7,461,871 B2	12/2008	Vauchel
D497,480 S	10/2004	Drew et al.	7,475,782 B2	1/2009	Lombardi
D498,053 S	11/2004	Nordstrom et al.	D587,902 S	3/2009	Yoneno
D498,054 S	11/2004	Moon	7,503,439 B2	3/2009	O'Shea et al.
6,821,019 B2	11/2004	Mogil	D590,694 S	4/2009	Stuckey
D500,598 S	1/2005	Ramos	7,516,520 B2	4/2009	Kelaher et al.
6,877,189 B2	4/2005	Simonson et al.	7,516,842 B2	4/2009	Gu
6,883,208 B1	4/2005	Huang	D591,511 S	5/2009	Wu
			7,530,405 B2	5/2009	Kollath et al.
			7,533,782 B2	5/2009	Parker et al.
			7,540,364 B2	6/2009	Sanderson
			7,549,652 B2	6/2009	Wu

(56)

## References Cited

## U.S. PATENT DOCUMENTS

D596,400 S	7/2009	Chu et al.	8,176,749 B2	5/2012	LaMere et al.
D597,652 S	8/2009	Tang	8,191,747 B2	6/2012	Pruchnicki
7,568,739 B2	8/2009	Lee	8,210,353 B2	7/2012	Epicureo
7,571,915 B1	8/2009	Simmons	8,214,972 B2	7/2012	Lai
D600,912 S	9/2009	Brunner	D664,891 S	8/2012	Takeda
7,581,656 B2	9/2009	Gnepper et al.	D665,166 S	8/2012	Khalifa et al.
D601,801 S	10/2009	Perez	D666,002 S	8/2012	Lai
D602,252 S	10/2009	Ehret	8,245,868 B2	8/2012	Ikeda et al.
7,604,290 B1	10/2009	Giordano	8,251,113 B2	8/2012	Baxter
7,607,540 B2	10/2009	Ballard	8,251,245 B2	8/2012	DiPietro et al.
D603,165 S	11/2009	Losiewicz	D666,831 S	9/2012	Kinskey et al.
D605,896 S	12/2009	Zalewski et al.	D666,832 S	9/2012	Kinskey et al.
D607,697 S	1/2010	Whitlock et al.	D667,697 S	9/2012	Shah
D608,159 S	1/2010	Whitlock et al.	8,256,156 B1	9/2012	Burgoyne, Jr.
D608,601 S	1/2010	Whitlock et al.	D668,049 S	10/2012	Buller
D610,349 S	2/2010	Ehret	8,286,828 B2	10/2012	Schafer
7,658,269 B2	2/2010	Wu	8,287,009 B2	10/2012	Dane et al.
7,669,436 B2	3/2010	Mogil et al.	8,292,119 B2	10/2012	Kenneally
7,688,584 B1	3/2010	Becklin	8,297,464 B2	10/2012	Grenier et al.
D613,560 S	4/2010	Robichaud et al.	D670,502 S	11/2012	Wu
D614,404 S	4/2010	Brunner	D673,024 S	12/2012	Caffin et al.
7,703,588 B2	4/2010	Chiang	8,328,247 B2	12/2012	Tonelli
7,722,204 B1	5/2010	Sandberg	8,336,708 B2	12/2012	Potterfield et al.
D617,561 S	6/2010	Salerno-Tortora	D674,192 S	1/2013	Li
7,735,261 B2	6/2010	Sellati	8,342,580 B2	1/2013	Cowie et al.
D618,966 S	7/2010	Koehler et al.	8,378,323 B1	2/2013	Spann et al.
D619,423 S	7/2010	Koehler et al.	8,382,171 B2	2/2013	Williams
D619,854 S	7/2010	Koehler et al.	D677,896 S	3/2013	Wu
D619,855 S	7/2010	Koehler et al.	D678,749 S	3/2013	Tung
7,748,232 B2	7/2010	Kang	D678,750 S	3/2013	Tung
D624,315 S	9/2010	Amatrudo	8,424,930 B2	4/2013	Matsubara et al.
7,806,287 B2	10/2010	Rouns	8,430,284 B2	4/2013	Broadbent et al.
D626,451 S	11/2010	Helwig et al.	D681,337 S	5/2013	Wu
D627,162 S	11/2010	Weng	8,459,058 B2	6/2013	Mogil
D627,199 S	11/2010	Pruchnicki	8,459,422 B1	6/2013	Efron
7,837,053 B2	11/2010	Arnett et al.	8,459,487 B2	6/2013	Sharma et al.
7,841,207 B2	11/2010	Mogil et al.	8,459,495 B2	6/2013	Koenig et al.
D629,200 S	12/2010	Turella-Yuan et al.	D685,186 S	7/2013	Massaud
7,854,321 B2	12/2010	Twig et al.	8,474,098 B1	7/2013	Yang
D630,435 S	1/2011	Brunner	8,484,813 B2	7/2013	Taniguchi et al.
7,861,552 B1	1/2011	Hughes	8,490,413 B2	7/2013	Blackway et al.
7,861,834 B2	1/2011	Gorga et al.	8,496,133 B2	7/2013	Mizukoshi et al.
7,874,047 B2	1/2011	Breeden	D688,589 S	8/2013	Hung et al.
7,874,408 B2	1/2011	Suppangig	8,505,729 B2	8/2013	Sosnovsky et al.
D633,300 S	3/2011	Fair	8,517,211 B2	8/2013	Brown et al.
D634,545 S	3/2011	Fair	D688,920 S	9/2013	Manley et al.
7,909,148 B1	3/2011	Miller et al.	D690,939 S	10/2013	Lintz et al.
D635,366 S	4/2011	Luburic	D691,808 S	10/2013	Wu
D636,292 S	4/2011	Brown	8,544,648 B2	10/2013	Cleveland et al.
7,922,052 B2	4/2011	Podschus	8,561,264 B2	10/2013	Hasegawa et al.
D637,811 S	5/2011	Hong	8,561,269 B2	10/2013	LeCompte et al.
7,937,884 B1	5/2011	Naylor et al.	8,567,631 B2	10/2013	Brunner
7,959,194 B2	6/2011	Mahoney	8,567,796 B2	10/2013	Bar-Erez et al.
D642,379 S	8/2011	Buller	D692,657 S	11/2013	Hyma et al.
D643,624 S	8/2011	Hong	8,572,821 B2	11/2013	Hasegawa
D643,629 S	8/2011	Sofy et al.	8,573,399 B2	11/2013	Ulmer et al.
7,997,591 B2	8/2011	Arthur	8,590,704 B2	11/2013	Koenig et al.
D644,434 S	9/2011	Miles et al.	8,590,724 B2	11/2013	Kreidler et al.
8,016,153 B2	9/2011	Boenig et al.	8,596,485 B2	12/2013	Lindsay
D646,528 S	10/2011	Stallman et al.	8,596,487 B1	12/2013	Su
8,037,983 B2	10/2011	Leung	8,601,838 B2	12/2013	Hansen et al.
D648,538 S	11/2011	Reinhart et al.	8,616,600 B2	12/2013	Owen
D649,786 S	12/2011	Lipfert et al.	D697,717 S	1/2014	Santy
D650,585 S	12/2011	Jamison et al.	8,622,235 B2	1/2014	SucHECKI
D651,860 S	1/2012	Nie	8,627,972 B2	1/2014	Thomas
D652,216 S	1/2012	Fair	D699,100 S	2/2014	Moreau et al.
8,091,731 B2	1/2012	Kidd et al.	D699,438 S	2/2014	Mathieu et al.
8,096,152 B2	1/2012	Wagh et al.	8,640,937 B2	2/2014	Pruchnicki
8,096,442 B2	1/2012	Ramundi	8,677,661 B2	3/2014	Michels et al.
8,099,836 B2	1/2012	Breeden et al.	8,678,227 B2	3/2014	Patstone
D654,694 S	2/2012	Wu	D701,697 S	4/2014	Sabbag et al.
8,141,211 B2	3/2012	Weyer et al.	D703,435 S	4/2014	Wile et al.
D659,395 S	5/2012	Sijmons	8,683,660 B2	4/2014	Hasegawa et al.
D660,000 S	5/2012	Peterson et al.	8,689,396 B2	4/2014	Wolfe et al.
8,167,166 B2	5/2012	Kidd et al.	8,708,351 B2	4/2014	Kinskey et al.
			D704,935 S	5/2014	Lintz et al.
			8,714,568 B2	5/2014	Allam et al.
			8,740,010 B1	6/2014	Page
			8,757,642 B2	6/2014	Arthur et al.

(56)

References Cited

U.S. PATENT DOCUMENTS

8,757,643 B2	6/2014	Arthur et al.	9,060,577 B2	6/2015	Farrelly et al.
8,757,696 B2	6/2014	Schneider	9,067,081 B2	6/2015	Roach et al.
D709,336 S	7/2014	Liebenthal	D734,742 S	7/2015	Fujioka
D709,696 S	7/2014	Wu	9,079,595 B2	7/2015	Chen et al.
D709,697 S *	7/2014	Brunner ..... D3/905	9,085,403 B2	7/2015	Roach et al.
8,763,848 B2	7/2014	Carey	9,101,186 B2	8/2015	Lai
8,763,851 B2	7/2014	Jiang et al.	9,108,772 B2	8/2015	Hovatter
8,770,426 B2	7/2014	Arnett et al.	9,113,686 B1	8/2015	Bishop
8,777,045 B2	7/2014	Mitchell et al.	9,114,909 B2	8/2015	Wagner
D710,099 S	8/2014	Horovitz et al.	D738,702 S	9/2015	Linares
D710,610 S	8/2014	Sijmons et al.	9,139,352 B2	9/2015	Seiders et al.
D710,614 S	8/2014	Meersschaert	D740,557 S	10/2015	Liao
D711,104 S	8/2014	Lai	D740,558 S	10/2015	Liao
D711,646 S	8/2014	Ke	D741,064 S	10/2015	Ramos
D711,647 S	8/2014	Chen	D741,600 S	10/2015	Della Vecchia
D711,648 S	8/2014	Chen	9,163,871 B1	10/2015	Costello
D711,649 S	8/2014	Chen	9,169,678 B2	10/2015	Rozema
D712,143 S	9/2014	Chehebar	D743,171 S	11/2015	Reinhart
D714,056 S	9/2014	Weng	9,187,210 B2	11/2015	Zhu et al.
D714,057 S	9/2014	Hou	9,193,060 B2	11/2015	Ben-Gigi
D714,064 S	9/2014	Kim	D744,750 S	12/2015	Sabbag et al.
8,844,749 B2	9/2014	Manahan et al.	9,198,492 B2	12/2015	Chehebar
8,844,950 B2	9/2014	Greene et al.	9,199,370 B2	12/2015	Crull
8,850,666 B2	10/2014	Hasegawa et al.	9,199,657 B2	12/2015	Martin
8,851,282 B2	10/2014	Brunner	9,204,699 B2	12/2015	Pickens et al.
8,851,289 B2	10/2014	Shi	9,205,551 B2	12/2015	Green et al.
8,857,654 B2	10/2014	Mogil et al.	9,211,040 B2	12/2015	Lane
8,863,975 B2	10/2014	McCanless	9,215,918 B2	12/2015	Kao et al.
8,864,185 B2	10/2014	Do	D747,639 S	1/2016	Linares
8,864,189 B2	10/2014	Fournie et al.	D747,950 S	1/2016	Jacobsen et al.
D717,152 S	11/2014	Weinerman et al.	D747,951 S	1/2016	Jacobsen et al.
D718,051 S	11/2014	Frahm et al.	9,233,465 B2	1/2016	Lai
8,875,877 B2	11/2014	Cottle et al.	D748,452 S	2/2016	Jacobsen et al.
8,875,888 B2	11/2014	Koenig et al.	9,248,566 B2	2/2016	Horiyama et al.
8,875,934 B2	11/2014	Deka	9,254,901 B2	2/2016	Gill
8,881,930 B2	11/2014	Banik	9,259,090 B1	2/2016	Cronin
8,887,515 B2	11/2014	Patstone	9,259,593 B2	2/2016	Roach et al.
D718,936 S	12/2014	Sanz et al.	9,259,828 B2	2/2016	Bermes
D719,351 S	12/2014	Hailwood	9,266,462 B2	2/2016	Miller
8,905,412 B2	12/2014	Fux	D750,953 S	3/2016	Jacobsen et al.
8,910,788 B2	12/2014	Roach et al.	D752,344 S	3/2016	Green
8,910,819 B2	12/2014	Seiders	9,272,820 B2	3/2016	Cowie
8,919,596 B2	12/2014	Carino	9,278,704 B2	3/2016	Cates
D720,536 S	1/2015	Hsu	9,290,297 B2	3/2016	Overath
D720,599 S	1/2015	Weinerman et al.	D752,862 S	4/2016	Riddiford et al.
D720,928 S	1/2015	Roncato	9,307,840 B2	4/2016	Restrepo et al.
8,925,752 B2	1/2015	Smith	9,322,192 B2	4/2016	Burd
D722,771 S	2/2015	Wu	D755,518 S	5/2016	Sijmons
D722,860 S	2/2015	Linares	9,327,887 B2	5/2016	Farentinos et al.
8,944,476 B1	2/2015	Henderson	9,340,224 B2	5/2016	Yoder et al.
8,960,430 B2	2/2015	Roach et al.	9,341,003 B2	5/2016	Ely et al.
8,960,735 B2	2/2015	Michael et al.	9,341,403 B2	5/2016	Conrad et al.
D723,806 S	3/2015	Salmon	9,346,616 B2	5/2016	Foster
D724,323 S	3/2015	Wang	9,351,550 B2	5/2016	Arthur et al.
8,979,100 B2	3/2015	Bensman et al.	D759,971 S	6/2016	Riddiford et al.
8,979,101 B2	3/2015	Primiano	9,359,798 B2	6/2016	Greenwood et al.
8,979,144 B2	3/2015	Paugh et al.	9,376,050 B1	6/2016	Gill
8,985,326 B2	3/2015	Halsne et al.	9,387,963 B2	7/2016	McBroom et al.
8,985,385 B2	3/2015	Parker et al.	9,393,684 B2	7/2016	Christopher et al.
D725,907 S	4/2015	Yu	D762,471 S	8/2016	Green et al.
D727,620 S	4/2015	Tonelli	D762,977 S	8/2016	Xu
9,004,274 B2	4/2015	Thornberg	9,408,449 B1	8/2016	Tsai
9,004,548 B2	4/2015	Joret et al.	9,415,787 B2	8/2016	Mericle
D728,933 S	5/2015	Sanz et al.	9,427,058 B2	8/2016	Boglione
D730,050 S	5/2015	Hogan et al.	D765,397 S	9/2016	Reinhart
9,027,751 B2	5/2015	Lee	D765,406 S	9/2016	Faibish
D730,716 S	6/2015	Weinerman et al.	D765,407 S	9/2016	Reinhart
D731,250 S	6/2015	Butler et al.	D765,408 S	9/2016	Reinhart
D732,348 S	6/2015	Seiders et al.	D765,409 S	9/2016	Reinhart
D732,349 S	6/2015	Seiders et al.	D765,410 S	9/2016	Reinhart
D732,350 S	6/2015	Seiders et al.	D765,411 S	9/2016	Reinhart
D732,823 S	6/2015	Baron	D765,973 S	9/2016	Tonelli et al.
D732,899 S	6/2015	Seiders et al.	D767,277 S	9/2016	Faibish
D732,923 S	6/2015	Rechberg et al.	9,435,578 B2	9/2016	Calderon et al.
9,045,264 B2	6/2015	Pils	9,443,366 B2	9/2016	Rayner
			D768,464 S	10/2016	Hatton
			D768,985 S	10/2016	Morszeck
			9,468,277 B2	10/2016	King
			D770,179 S	11/2016	Menirom

(56)

References Cited

U.S. PATENT DOCUMENTS

D771,381 S	11/2016	Sosnovsky et al.	D816,337 S	5/2018	Cheng
D772,577 S	11/2016	Muchin et al.	D816,492 S	5/2018	Reinhart
D773,821 S	12/2016	Reinhart	D817,722 S	5/2018	Bradley
D773,901 S	12/2016	Marret	D818,712 S	5/2018	Fleming et al.
9,511,491 B2	12/2016	Brunner	9,968,170 B2	5/2018	Morszeck
D776,429 S	1/2017	Zagorski et al.	D819,331 S	6/2018	Ballou et al.
D776,932 S	1/2017	Reinhart	D820,049 S	6/2018	Ahlstrom et al.
D776,934 S	1/2017	Braendle	9,999,284 B1	6/2018	Tan
D777,441 S	1/2017	Li	D821,824 S	7/2018	Rane et al.
D777,530 S	1/2017	Marret	D821,825 S	7/2018	Sullivan et al.
D778,054 S	2/2017	Li	D823,064 S *	7/2018	Eichinger ..... D7/605
D778,707 S	2/2017	Tonelli	D823,065 S	7/2018	Eichinger et al.
D779,201 S	2/2017	Beilman et al.	D824,168 S	7/2018	Morszeck
9,566,704 B1	2/2017	Stoikos et al.	10,028,561 B2	7/2018	Vecellio
9,567,784 B2	2/2017	Defrance et al.	D824,674 S	8/2018	Seiders et al.
D780,523 S	3/2017	Jacobsen	D824,731 S	8/2018	Sullivan et al.
D780,524 S	3/2017	Jacobsen	10,058,151 B2	8/2018	Morszeck
D780,525 S	3/2017	Jacobsen	D827,304 S	9/2018	Tao
D784,017 S	4/2017	Hsieh	D828,028 S	9/2018	Seiders et al.
9,622,547 B2	4/2017	Seader	D828,029 S	9/2018	Seiders et al.
D785,937 S	5/2017	Morszeck	D828,108 S	9/2018	Bowling
D786,561 S	5/2017	Seiders et al.	D828,112 S	9/2018	Furneaux et al.
9,637,294 B2	5/2017	Kinskey	D829,244 S	9/2018	Sullivan et al.
9,655,418 B2	5/2017	Chien et al.	10,080,412 B2	9/2018	Hartmann et al.
D788,460 S	6/2017	Morszeck	D830,132 S	10/2018	Sullivan et al.
D788,461 S	6/2017	Tonelli	D830,133 S	10/2018	Sullivan et al.
D789,690 S	6/2017	Foley et al.	D830,134 S	10/2018	Sullivan et al.
D789,766 S	6/2017	Todd, Jr. et al.	10,086,745 B2	10/2018	Gill
9,669,986 B1	6/2017	Evans	10,088,144 B1	10/2018	Sandberg
D791,477 S	7/2017	Liu	D832,653 S	11/2018	Waskow et al.
D792,094 S	7/2017	Stoikos et al.	10,124,742 B2	11/2018	Martinez et al.
D792,105 S	7/2017	Reinhart	10,138,048 B2	11/2018	Mitchell et al.
D792,708 S	7/2017	Tazawa et al.	D834,819 S	12/2018	Burek et al.
D793,089 S	8/2017	Jackson	D835,470 S	12/2018	Seiders et al.
D796,199 S	9/2017	Law	D835,472 S	12/2018	Seiders et al.
D796,838 S	9/2017	Sijmons et al.	D835,473 S	12/2018	Jacobsen
D797,518 S	9/2017	Pavia, III	D835,946 S	12/2018	Seiders et al.
9,770,084 B1	9/2017	Shiekh	10,143,282 B2	12/2018	Seiders et al.
D802,924 S	11/2017	Mahanavanont	10,159,312 B2	12/2018	Ito
9,809,376 B2	11/2017	Mitchell et al.	10,160,471 B2	12/2018	Yahav et al.
D804,174 S	12/2017	Morszeck	D836,993 S	1/2019	Meda et al.
D804,818 S	12/2017	Sadler	D836,996 S	1/2019	Jacobsen
D804,819 S	12/2017	Faibish et al.	D836,997 S	1/2019	Jacobsen
D805,772 S	12/2017	Oshima	D836,998 S	1/2019	Jacobsen
D805,851 S	12/2017	Sullivan et al.	D836,999 S	1/2019	Jacobsen
9,839,272 B2	12/2017	Licciardino	D837,001 S	1/2019	Jacobsen
9,848,681 B1	12/2017	Chen	D837,515 S	1/2019	Shpitzer
9,849,901 B2	12/2017	Jackman	D837,611 S	1/2019	Lane et al.
D806,483 S	1/2018	Stanford et al.	D838,208 S	1/2019	Hirabayashi et al.
D807,123 S	1/2018	Carey et al.	D838,983 S	1/2019	Seiders et al.
D807,124 S	1/2018	Carey et al.	D838,984 S	1/2019	Seiders et al.
D808,164 S	1/2018	Summers	D839,094 S	1/2019	Giraud et al.
D808,653 S	1/2018	Rayeski et al.	D839,682 S	2/2019	Jacobsen
D808,655 S	1/2018	Seiders et al.	D840,150 S	2/2019	Seiders et al.
D808,730 S	1/2018	Sullivan et al.	D840,194 S	2/2019	Furneaux et al.
9,876,522 B2	1/2018	Huang et al.	D842,048 S	3/2019	Wells
9,878,841 B2	1/2018	Holderness et al.	D843,114 S	3/2019	Sanz
D809,293 S	2/2018	Virassamy et al.	10,219,601 B2	3/2019	Selvi
D809,295 S	2/2018	Ehret	D844,325 S	4/2019	Nelson
D810,432 S	2/2018	Ballou et al.	D844,386 S	4/2019	Ahlstrom et al.
D810,433 S	2/2018	Ballou et al.	10,272,934 B2	4/2019	DeFrancia
D810,434 S	2/2018	Xu	D848,219 S	5/2019	Munie et al.
D811,084 S	2/2018	Ballou et al.	D848,220 S	5/2019	Munie et al.
D811,090 S	2/2018	Karl	D848,221 S	5/2019	Munie et al.
9,883,724 B2	2/2018	Woode	D848,222 S	5/2019	Munie et al.
9,894,971 B2	2/2018	Sciicluna et al.	D848,223 S	5/2019	Munie et al.
9,901,153 B2	2/2018	Nash	D848,744 S	5/2019	Axelbaum
D811,742 S	3/2018	Ballou et al.	D848,798 S	5/2019	Munie et al.
D811,744 S	3/2018	Ballou et al.	D849,486 S	5/2019	Munie et al.
D812,909 S	3/2018	Morszeck	10,292,473 B2	5/2019	Meersschaert
9,913,518 B2	3/2018	Su	D850,796 S	6/2019	Ricca
D814,187 S	4/2018	Caglar	D851,401 S	6/2019	Zhang
D815,787 S	4/2018	Seiders et al.	10,314,377 B2	6/2019	Stephens
D815,831 S	4/2018	Tonelli	D852,504 S	7/2019	Ben-David
D815,919 S	4/2018	DeFrancia	D853,729 S	7/2019	Axelbaum
			D854,826 S	7/2019	Tonelli
			10,334,935 B2	7/2019	Chung
			10,350,746 B2	7/2019	Martinez et al.
			10,351,330 B2	7/2019	Smith et al.

(56)

References Cited

U.S. PATENT DOCUMENTS

10,357,874	B2	7/2019	Engvall et al.	2004/0238543	A1	12/2004	Askew
D857,386	S	8/2019	Shpitzer	2004/0246695	A1	12/2004	Schlack
10,376,031	B1	8/2019	Majhess	2004/0262319	A1	12/2004	Fisher
10,378,569	B2	8/2019	Jensen et al.	2005/0023096	A1	2/2005	Tiramani
D858,986	S	9/2019	Shalgi	2005/0099019	A1	5/2005	Hall et al.
D859,842	S	9/2019	Frank	2005/0103813	A1	5/2005	Edwards
D860,789	S	9/2019	Rayeski et al.	2005/0139741	A1	6/2005	Yuen
10,399,748	B2	9/2019	Reinhart	2005/0150892	A1	7/2005	Miller
10,401,075	B2	9/2019	Bond	2005/0180835	A1	8/2005	Schneider
D861,535	S	10/2019	Venables	2005/0199628	A1	9/2005	Van Handel et al.
10,443,918	B2	10/2019	Li et al.	2005/0217071	A1	10/2005	Shinner
D869,160	S	12/2019	Seiders et al.	2005/0258610	A1	11/2005	Stone et al.
D869,244	S	12/2019	Ellison et al.	2005/0279123	A1	12/2005	Maldonado et al.
D869,848	S	12/2019	Wu	2006/0011641	A1	1/2006	Sanderson
D871,767	S	1/2020	Harrison	2006/0017293	A1	1/2006	Tonelli
D872,478	S	1/2020	Seiders et al.	2006/0037178	A1	2/2006	Sulhoff
D872,485	S	1/2020	Seiders et al.	2006/0037824	A1	2/2006	Park et al.
D873,020	S	1/2020	Seiders et al.	2006/0042897	A1	3/2006	Sanderson
D873,024	S	1/2020	Usui	2006/0049640	A1	3/2006	Lee
D874,139	S	2/2020	Rubio et al.	2006/0180422	A1	8/2006	Lin
10,568,395	B2	2/2020	Hayashi	2006/0196218	A1	9/2006	Mogil et al.
10,568,400	B2	2/2020	Shechter et al.	2006/0213736	A1	9/2006	Godshaw
D876,833	S	3/2020	Brunner et al.	2006/0213941	A1	9/2006	Sweeney
D876,835	S	3/2020	Libman et al.	2006/0225981	A1	10/2006	Lin
D878,054	S	3/2020	Reinhart et al.	2006/0249412	A1	11/2006	Hernandez et al.
10,595,608	B2	3/2020	Korey et al.	2006/0249522	A1	11/2006	Ringo
D881,569	S	4/2020	Rubio et al.	2006/0276768	A1	12/2006	Miller et al.
D881,578	S	4/2020	Prommel et al.	2007/0039957	A1	2/2007	Shulz et al.
D882,266	S	4/2020	Prommel et al.	2007/0101754	A1	5/2007	Maldonado
D882,267	S	4/2020	Prommel et al.	2007/0175898	A1	8/2007	Craft et al.
D887,788	S	6/2020	Meda et al.	2007/0235452	A1	10/2007	Killinger et al.
D887,789	S	6/2020	Seiders et al.	2007/0261977	A1	11/2007	Sakai
D893,876	S	8/2020	Van Fossen	2008/0001373	A1	1/2008	Vaughn
D898,357	S *	10/2020	Chagnon ..... D3/279	2008/0029528	A1	2/2008	Mireault
D899,083	S	10/2020	Rubio et al.	2008/0042460	A1	2/2008	Fuchs
D899,869	S *	10/2020	Bullock ..... B65D 81/3823	2008/0067095	A1	3/2008	Mueller
				2008/0067206	A1	3/2008	Kuhn
				2008/0078637	A1	4/2008	Su
				2008/0078682	A1	4/2008	Clark et al.
				2008/0110892	A1	5/2008	House
				2008/0116215	A1	5/2008	Chuang
				2008/0128428	A1	6/2008	Beckerman
D904,129	S *	12/2020	Astle ..... D7/605	2008/0156858	A1	7/2008	Perry et al.
D904,829	S	12/2020	Nichols et al.	2008/0170388	A1	7/2008	Greil
D907,445	S	1/2021	Nichols et al.	2008/0190940	A1	8/2008	Scott
D909,062	S	2/2021	Qian et al.	2008/0196650	A1	8/2008	Fernung
D912,983	S	3/2021	Newson	2008/0230339	A1	9/2008	Pereira
D915,069	S	4/2021	Tonelli	2008/0245095	A1	10/2008	Schlipman et al.
D920,668	S	6/2021	Bonnough et al.	2008/0257775	A1	10/2008	Randolph
D925,299	S	7/2021	Nichols et al.	2008/0264946	A1	10/2008	Moschella et al.
D925,911	S	7/2021	Sun	2009/0009039	A1	1/2009	Mayes, Jr.
D929,189	S	8/2021	Pennington et al.	2009/0014974	A1	1/2009	VanVORST et al.
D942,218	S *	2/2022	Astle ..... D7/605	2009/0033110	A1	2/2009	Fragale
D942,812	S	2/2022	Luo et al.	2009/0049859	A1	2/2009	Moon
D944,299	S	2/2022	Astle et al.	2009/0078593	A1	3/2009	Patstone
D946,279	S	3/2022	Seiders et al.	2009/0080809	A1	3/2009	Pham et al.
D946,894	S *	3/2022	Seiders ..... D3/312	2009/0101460	A1	4/2009	Justham et al.
D948,292	S	4/2022	Deng	2009/0114646	A1	5/2009	Whalen
D977,833	S *	2/2023	Yang ..... D7/605	2009/0114653	A1	5/2009	Schenker
D981,714	S *	3/2023	Tonelli ..... F25D 3/08	2009/0120126	A1	5/2009	Mew
				2009/0158770	A1	6/2009	Cohrs et al.
				2009/0173744	A1	7/2009	Hassell
2002/0024189	A1	2/2002	Chen	2009/0194541	A1	8/2009	Mayo
2002/0038745	A1	4/2002	Lamming	2009/0277905	A1	11/2009	Gillan
2002/0074332	A1	6/2002	Sagol	2010/0001013	A1	1/2010	Sommerfeld
2002/0148694	A1	10/2002	Tong	2010/0072215	A1	3/2010	Coon
2002/0162841	A1	11/2002	Shamir et al.	2010/0078451	A1	4/2010	Mount
2002/0185871	A1	12/2002	Straka	2010/0108556	A1	5/2010	Claffy
2002/0195827	A1	12/2002	Jackson et al.	2010/0133132	A1	6/2010	Allan
2003/0019705	A1	1/2003	Lau	2010/0200784	A1	8/2010	Turner
2003/0038007	A1	2/2003	Han	2010/0258576	A1	10/2010	Marquez
2003/0038142	A1	2/2003	Gee	2010/0275642	A1	11/2010	Klettner
2003/0106821	A1	6/2003	Bar-Erez	2011/0016911	A1	1/2011	Mosby
2003/0111476	A1	6/2003	Serio	2011/0064332	A1	3/2011	Piazza et al.
2003/0136702	A1	7/2003	Redzisz et al.	2011/0114526	A1	5/2011	Neumann et al.
2004/0007604	A1	1/2004	Plzak	2011/0119986	A1	5/2011	Sellers
2004/0016854	A1	1/2004	Hart	2011/0121002	A1	5/2011	Stiller
2004/0025306	A1	2/2004	Coffey	2011/0127264	A1	6/2011	Whalen
2004/0040967	A1	3/2004	Eiskant et al.	2011/0132046	A1	6/2011	Tonelli
2004/0163910	A1	8/2004	Lee				
2004/0178208	A1	9/2004	Leba et al.				



(56)

References Cited

U.S. PATENT DOCUMENTS

2011/0181008 A1 7/2011 Bensman et al.  
 2011/0182532 A1 7/2011 Baltus  
 2011/0186396 A1 8/2011 Sheikh  
 2011/0186398 A1 8/2011 Sheikh  
 2011/0197625 A1 8/2011 Urban et al.  
 2011/0203328 A1 8/2011 Vilkomirski et al.  
 2011/0220531 A1 9/2011 Meether et al.  
 2011/0226003 A1 9/2011 Chaney et al.  
 2011/0226785 A1 9/2011 Sakell  
 2012/0024896 A1 2/2012 Scobey et al.  
 2012/0103740 A1 5/2012 Moussatche et al.  
 2012/0104012 A1 5/2012 Cowie et al.  
 2012/0168444 A1 7/2012 Shitrit et al.  
 2012/0193353 A1 8/2012 Cronin et al.  
 2012/0267208 A1 10/2012 D'Angelo  
 2012/0273506 A1 11/2012 Adams et al.  
 2012/0286489 A1 11/2012 Bartholomew  
 2012/0312708 A1 12/2012 Roehm et al.  
 2013/0068579 A1 3/2013 Mathieu et al.  
 2013/0140120 A1 6/2013 Rasmussen  
 2013/0168196 A1 7/2013 Stanley  
 2013/0175130 A1 7/2013 Liang  
 2013/0175276 A1 7/2013 Gleichauf et al.  
 2013/0248390 A1 9/2013 Roehm et al.  
 2013/0284619 A1 10/2013 Daley  
 2013/0292220 A1 11/2013 Kerley  
 2013/0292221 A1 11/2013 Ryan et al.  
 2013/0307214 A1 11/2013 Groller et al.  
 2013/0313058 A1 11/2013 Yoshida  
 2014/0027454 A1 1/2014 Banik  
 2014/0062042 A1 3/2014 Wagner et al.  
 2014/0069832 A1 3/2014 Roehm  
 2014/0130310 A1 5/2014 Roth  
 2014/0137370 A1 5/2014 Lo et al.  
 2014/0138384 A1 5/2014 O'Brien  
 2014/0151388 A1 6/2014 Culeron et al.  
 2014/0158028 A1 6/2014 Adams  
 2014/0166516 A1 6/2014 Martinez et al.  
 2014/0197059 A1 7/2014 Evans et al.  
 2014/0251864 A1 9/2014 Voeller  
 2014/0252010 A1 9/2014 Miller  
 2014/0265197 A1 9/2014 Russell et al.  
 2014/0271095 A1 9/2014 Umans et al.  
 2014/0284158 A1 9/2014 Reid  
 2014/0284243 A1 9/2014 Tucker  
 2014/0311361 A1 10/2014 Wangler  
 2014/0311844 A1 10/2014 Meersschaert et al.  
 2014/0319147 A1 10/2014 Horovitz et al.  
 2015/0021132 A1 1/2015 Sijmons et al.  
 2015/0027835 A1 1/2015 Moon  
 2015/0034515 A1 2/2015 Monyak et al.  
 2015/0069962 A1 3/2015 Dietzel et al.  
 2015/0089903 A1 4/2015 Carey  
 2015/0090551 A1 4/2015 Sikka  
 2015/0114024 A1 4/2015 Grepper  
 2015/0129569 A1 5/2015 Miller  
 2015/0150347 A1 6/2015 Scicluna  
 2015/0150348 A1 6/2015 Wax  
 2015/0175338 A1 6/2015 Culp et al.  
 2015/0189963 A1 7/2015 Lai et al.  
 2015/0190920 A1 7/2015 Karlsson et al.  
 2015/0208779 A1 7/2015 Tong  
 2015/0209226 A1 7/2015 Priebe et al.  
 2015/0233630 A1 8/2015 Bond  
 2015/0292840 A1 10/2015 Tobin  
 2015/0296945 A1 10/2015 Douglas  
 2015/0296948 A1 10/2015 Kung  
 2015/0315532 A1 11/2015 Bergbohm et al.  
 2015/0352709 A1 12/2015 Diamond  
 2015/0352711 A1 12/2015 Brunner  
 2015/0375558 A1 12/2015 Ben-Or  
 2015/0375918 A1 12/2015 Holderness et al.  
 2016/0023837 A1 1/2016 Furneaux et al.  
 2016/0046417 A1 2/2016 Kromer  
 2016/0052682 A1 2/2016 Gunnerson et al.

2016/0083186 A1 3/2016 Wright  
 2016/0084454 A1 3/2016 Svitak, Sr. et al.  
 2016/0091239 A1 3/2016 Beland  
 2016/0135563 A1 5/2016 Truong  
 2016/0138809 A1 5/2016 Colucci et al.  
 2016/0150862 A1 6/2016 Tonelli  
 2016/0166024 A1 6/2016 Lai  
 2016/0183651 A1 6/2016 Tonelli  
 2016/0244209 A1 8/2016 Hain  
 2016/0251124 A1 9/2016 Arnold et al.  
 2016/0279840 A1 9/2016 French et al.  
 2017/0079398 A1 3/2017 Reh et al.  
 2017/0082342 A1 3/2017 Weinberg et al.  
 2017/0108260 A1 4/2017 Ansted et al.  
 2017/0127782 A1 5/2017 Korey et al.  
 2017/0165829 A1 6/2017 Damberg  
 2017/0173781 A1 6/2017 Damberg  
 2017/0196332 A1 7/2017 Tong  
 2017/0215537 A1 8/2017 Yu  
 2017/0290400 A1 10/2017 Thomas  
 2017/0347765 A1 12/2017 Jackson et al.  
 2018/0035774 A1 2/2018 Pelatti  
 2018/0035775 A1 2/2018 Haimoff  
 2018/0037394 A1 2/2018 Seiders et al.  
 2018/0078008 A1 3/2018 Sturm  
 2018/0087819 A1 3/2018 Triska et al.  
 2018/0141718 A1 5/2018 Ahlstrom et al.  
 2018/0186547 A1\* 7/2018 Morine ..... F25D 3/08  
 2018/0194533 A1 7/2018 Bramwell  
 2018/0325230 A1 11/2018 Morszeck  
 2018/0335241 A1 11/2018 Li et al.  
 2018/0339820 A1 11/2018 Reinhart et al.  
 2018/0354687 A1 12/2018 Seiders et al.  
 2019/0008254 A1 1/2019 Newson  
 2019/0092530 A1 3/2019 Seiders et al.  
 2019/0170422 A1 6/2019 Dexter  
 2019/0234671 A1 8/2019 Stanford et al.  
 2019/0256119 A1 8/2019 Brillhante et al.  
 2019/0271433 A1 9/2019 Tonelli  
 2020/0029664 A1 1/2020 Tonelli  
 2020/0037719 A1 2/2020 Jaworski et al.  
 2020/0039056 A1 2/2020 Damberg  
 2020/0060400 A1 2/2020 Glaser  
 2020/0061802 A1 2/2020 Samsel et al.  
 2020/0062454 A1 2/2020 Duong et al.  
 2020/0086905 A1 3/2020 Yao et al.  
 2020/0214407 A1 7/2020 Nichols et al.  
 2020/0216224 A1 7/2020 Nichols et al.  
 2020/0217576 A1 7/2020 Guan et al.  
 2021/0102409 A1 4/2021 Seiders et al.  
 2022/0114853 A1 4/2022 Emde et al.

FOREIGN PATENT DOCUMENTS

BR 202015031355 U2 6/2017  
 CA 72336 A 7/1901  
 CA 72337 A 7/1901  
 CA 72338 A 7/1901  
 CA 73327 A 10/1901  
 CA 77273 A 9/1902  
 CA 81456 A 6/1903  
 CA 152411 A 12/1913  
 CA 175930 A 3/1917  
 CA 175939 A 3/1917  
 CA 60997 A 6/1988  
 CA 2624994 A1 5/2000  
 CA 89737 A 6/2000  
 CA 2483772 A1 4/2005  
 CA 2633223 A1 12/2009  
 CA 2635328 A1 12/2009  
 CA 2782668 A1 12/2013  
 CH 365631 A 11/1962  
 CN S4628827 Y1 10/1971  
 CN 2073459 U 3/1991  
 CN 2132145 Y 5/1993  
 CN 1112819 A 12/1995  
 CN 2515999 Y 10/2002  
 CN 2549792 Y 5/2003  
 CN 1457237 A 11/2003

(56)

References Cited

FOREIGN PATENT DOCUMENTS

CN	1502279	A	6/2004	CN	303982382	12/2016
CN	2664452	Y	12/2004	CN	303982387	12/2016
CN	3498732		1/2006	CN	304000494	1/2017
CN	3498735		1/2006	CN	304036742	2/2017
CN	2813823	Y	9/2006	CN	304036750	2/2017
CN	300690540		9/2007	CN	304050612	2/2017
CN	300690541		9/2007	CN	304068469	3/2017
CN	201076126	Y	6/2008	CN	304076890	3/2017
CN	300854008		12/2008	CN	106551485	A 4/2017
CN	300856959		12/2008	CN	304172638	6/2017
CN	300918117		5/2009	CN	107125891	A 9/2017
CN	301150817		3/2010	CN	107173938	A 9/2017
CN	301189065		5/2010	CN	107307551	A 11/2017
CN	201691232	U	1/2011	CN	107467837	A 12/2017
CN	301548656		5/2011	CN	206702967	U 12/2017
CN	301620134		7/2011	CN	304411331	12/2017
CN	201919912	U	8/2011	CN	304411334	12/2017
CN	201938601	U	8/2011	CN	304411336	12/2017
CN	301711528		11/2011	CN	304411337	12/2017
CN	301808188		1/2012	CN	304411389	12/2017
CN	301950501		6/2012	CN	304417314	12/2017
CN	102626271	A	8/2012	CN	304423206	12/2017
CN	202396674	U	8/2012	CN	304423258	12/2017
CN	302115731		10/2012	CN	304423259	12/2017
CN	102805467	A	12/2012	CN	304423260	12/2017
CN	202722894	U	2/2013	CN	304423317	12/2017
CN	102948946	A	3/2013	CN	206880270	U 1/2018
CN	202760445	U	3/2013	CN	304461798	1/2018
CN	302365993		3/2013	CN	107668874	A 2/2018
CN	202874104	U	4/2013	CN	304532315	3/2018
CN	302425923		5/2013	CN	304532317	3/2018
CN	302448361		6/2013	CN	304532318	3/2018
CN	203182247	U	9/2013	CN	304532319	3/2018
CN	203283617	U	11/2013	CN	304539046	3/2018
CN	302631183		11/2013	CN	304555895	3/2018
CN	203439475	U	2/2014	CN	304562598	4/2018
CN	203524042	U	4/2014	CN	304569073	4/2018
CN	302811286		5/2014	CN	304569074	4/2018
CN	302868078		7/2014	CN	108078109	A 5/2018
CN	203789329	U	8/2014	CN	304645055	5/2018
CN	203814784	U	9/2014	CN	207428627	U 6/2018
CN	204032607	U	12/2014	CN	304653754	6/2018
CN	104433073	A	3/2015	CN	304660325	6/2018
CN	204245396	U	4/2015	CN	304660327	6/2018
CN	303154464		4/2015	CN	304660329	6/2018
CN	303186110		4/2015	CN	304660332	6/2018
CN	303221245		5/2015	CN	304692146	6/2018
CN	204409860	U	6/2015	CN	304701684	6/2018
CN	303228513		6/2015	CN	304749390	7/2018
CN	303228514		6/2015	CN	304764980	8/2018
CN	303242426		6/2015	CN	108497660	A 9/2018
CN	303251869		6/2015	CN	304823685	9/2018
CN	303324038		8/2015	CN	304823694	9/2018
CN	303333672		8/2015	CN	108608804	A 10/2018
CN	201530103483		8/2015	CN	207949211	U 10/2018
CN	303381343		9/2015	CN	304836888	10/2018
CN	303390870		9/2015	CN	304854893	10/2018
CN	303499903		12/2015	CN	304862165	10/2018
CN	303514839		12/2015	CN	304862166	10/2018
CN	303546215		1/2016	CN	108741519	A 11/2018
CN	201530438676		2/2016	CN	108783799	A 11/2018
CN	201530438792		2/2016	CN	108835813	A 11/2018
CN	105473462	A	4/2016	CN	108835814	A 11/2018
CN	303630971		4/2016	CN	304877452	11/2018
CN	303680031		5/2016	CN	304900938	11/2018
CN	303680054		5/2016	CN	108945792	A 12/2018
CN	303687108		6/2016	CN	109043770	A 12/2018
CN	205521292	U	8/2016	CN	208192442	U 12/2018
CN	303783877		8/2016	CN	208192487	U 12/2018
CN	303799176		8/2016	CN	304970790	1/2019
CN	201630123602		8/2016	CN	304995265	1/2019
CN	303904119		11/2016	CN	305641119	1/2019
CN	303918135		11/2016	CN	109303399	A 2/2019
CN	205831341	U	12/2016	CN	305019548	2/2019
CN	303973165		12/2016	CN	109431028	A 3/2019
				CN	109497673	A 3/2019
				CN	208581902	U 3/2019
				CN	305050777	3/2019
				CN	305078423	3/2019

(56)

## References Cited

FOREIGN PATENT DOCUMENTS					
CN	305078424	3/2019	DE	2939826	A1 4/1980
CN	305111950	4/2019	DE	3344410	A1 6/1985
CN	305181543	5/2019	DE	8620597	U1 9/1986
CN	305181544	5/2019	DE	9012845	U1 10/1990
CN	305184266	5/2019	DE	4042245	A1 7/1991
CN	305184268	5/2019	DE	9105033	U1 3/1992
CN	305191726	6/2019	DE	4418429	A1 12/1994
CN	305219344	6/2019	DE	9408707	U1 9/1995
CN	305242412	7/2019	DE	29516306	U1 2/1997
CN	305242413	7/2019	DE	29815666	U1 11/1998
CN	305283238	8/2019	DE	19755532	A1 6/1999
CN	209403814	U 9/2019	DE	20312950	U1 10/2003
CN	305344781	9/2019	DE	20313077	U1 1/2004
CN	305347993	9/2019	DE	202004007996	U1 7/2004
CN	305359134	9/2019	DE	202004012191	U1 12/2004
CN	305359135	9/2019	DE	202004015475	U1 1/2005
CN	209528183	U 10/2019	DE	202004016959	U1 2/2005
CN	305398498	10/2019	DE	202005006105	U1 6/2005
CN	209563672	U 11/2019	DE	202005014773	U1 11/2005
CN	209628893	U 11/2019	DE	202006001888	U1 4/2006
CN	305424085	11/2019	DE	402010002800-0008	6/2010
CN	305424089	11/2019	DE	402010002800-0001	7/2010
CN	305437133	11/2019	DE	402010002800-0002	7/2010
CN	305437134	11/2019	DE	402010002800-0003	7/2010
CN	305437137	11/2019	DE	402010002800-0004	7/2010
CN	110605939	A 12/2019	DE	402010002800-0007	7/2010
CN	209719155	U 12/2019	DE	402010002800-0009	7/2010
CN	209719159	U 12/2019	DE	402010002800-0010	7/2010
CN	209788810	U 12/2019	DE	402010002800-0011	7/2010
CN	305476163	12/2019	DE	402010002800-0012	7/2010
CN	305488622	12/2019	DE	202012006671	U1 8/2012
CN	305499080	12/2019	DE	102012025617	A1 10/2013
CN	305506675	12/2019	DE	102013004590	A1 9/2014
CN	305518862	12/2019	DE	102013114520	A1 6/2015
CN	M9732871	U 12/2019	DE	202016004315	U1 8/2016
CN	209931762	U 1/2020	DE	202015106823	U1 3/2017
CN	209965461	U 1/2020	DE	102017122609	A1 3/2019
CN	305527333	1/2020	EM	000134804-0001	6/2004
CN	305533439	1/2020	EM	001606468-0002	9/2009
CN	305533533	1/2020	EM	001682428-0001	4/2010
CN	305533534	1/2020	EM	001682428-0002	4/2010
CN	305533538	1/2020	EM	001682428-0003	4/2010
CN	305533539	1/2020	EM	001682428-0004	4/2010
CN	305540311	1/2020	EM	001682428-0005	4/2010
CN	305547763	1/2020	EM	001682428-0006	4/2010
CN	305547764	1/2020	EM	001781865-0001	12/2010
CN	305547961	1/2020	EM	001781865-0006	12/2010
CN	305556652	1/2020	EM	001781865-0007	12/2010
CN	305563596	1/2020	EM	001781865-0008	12/2010
CN	305571758	1/2020	EM	001781899-0006	2/2011
CN	305571764	1/2020	EM	001781899-0009	2/2011
CN	305577923	1/2020	EM	001781899-0009	2/2011
CN	305577960	1/2020	EM	002215897-0001	8/2013
CN	305578103	1/2020	EM	002277574-0001	8/2013
CN	210076793	U 2/2020	EM	002277574-0002	8/2013
CN	210114130	U 2/2020	EM	002325209-0001	11/2013
CN	305584094	2/2020	EM	002325209-0002	11/2013
CN	305584095	2/2020	EM	002569467-0001	11/2014
CN	305584098	2/2020	EM	002569467-0002	11/2014
CN	305605578	2/2020	EM	002569467-0003	11/2014
CN	305614805	2/2020	EM	002569467-0004	11/2014
CN	305621592	2/2020	EM	002576728-0013	11/2014
CN	305621593	2/2020	EM	002646935-0001	3/2015
CN	305629332	2/2020	EM	002978569-0001	2/2016
CN	305635594	3/2020	EM	003261668-0002	7/2016
CN	305636583	3/2020	EM	003743905-0006	2/2017
CN	305639489	3/2020	EM	004100048-0001	9/2017
CN	305642338	3/2020	EM	004100048-0002	9/2017
CN	305642339	3/2020	EM	004385409-0001	10/2017
CN	305642418	3/2020	EM	004168789-0001	11/2017
CN	305748162	5/2020	EM	004662039-0002	3/2018
CN	305873337	6/2020	EM	004662039-0003	3/2018
DE	74708	C 4/1894	EM	005609583-0001	8/2018
DE	2020368	A1 11/1971	EM	005625977-0006	9/2018
DE	7502524	U 9/1975	EM	005500311-0002	10/2018
			EM	005500311-0003	10/2018
			EM	005804747-0001	10/2018
			EM	005804762-0001	10/2018
			EM	005804770-0001	10/2018
			EM	005805140-0001	10/2018

(56)

## References Cited

FOREIGN PATENT DOCUMENTS					
EM	005805199-0001	10/2018	GB	2575671 A1	1/2020
EM	006453072-0001	5/2019	ID	D0000002662-0001	1/2003
EM	006618583-0001	10/2019	IL	55179 A	7/1981
EM	006618583-0002	10/2019	IN	266778	5/2015
EM	006618583-0003	10/2019	IN	266779-0001	5/2015
EM	006618583-0004	10/2019	IN	276720	2/2016
EM	007064233-0002	11/2019	JP	S57-150175 U	9/1982
EM	007145464-0012	11/2019	JP	S60-164570 A	8/1985
EM	007449095-0001	1/2020	JP	H03-066374 U	6/1991
EM	007576806-0001	2/2020	JP	H0574275 A	3/1993
EM	007719141-0001	3/2020	JP	H07-102842 A	4/1995
EP	0069419 A1	1/1983	JP	H08-093298 A	4/1996
EP	0530067 A1	3/1993	JP	2569734 B2	1/1997
EP	0587451 A1	3/1994	JP	2976179 B2	11/1999
EP	0221215 B1	6/1995	JP	2001-107621 A	4/2001
EP	0670791 A1	9/1995	JP	3177720 B2	6/2001
EP	1000865 A1	5/2000	JP	3197227 B2	8/2001
EP	1059239 A1	12/2000	JP	2001-262907 A	9/2001
EP	1080656 A1	3/2001	JP	3211023 B2	9/2001
EP	1442845 A1	8/2004	JP	D1121506	9/2001
EP	1475008 A1	11/2004	JP	3225244 B2	11/2001
EP	1880948 A2	1/2008	JP	D2001-10753	6/2002
EP	1921009 A1	5/2008	JP	D1193948	1/2004
EP	2024218 A2	2/2009	JP	2004136941 A	5/2004
EP	2107982 A1	10/2009	JP	2006122067 A	5/2006
EP	2236428 A1	10/2010	JP	D1312168	10/2007
EP	2330939 A1	6/2011	JP	D2007-16058	5/2008
EP	2344000 A1	7/2011	JP	D2007-16059	5/2008
EP	2387906 A1	11/2011	JP	D1338388	8/2008
EP	2412493 A2	2/2012	JP	D1382214	3/2010
EP	2441340 A1	4/2012	JP	D1382215	3/2010
EP	2522248 A1	11/2012	JP	D1397219	9/2010
EP	2543481 A1	1/2013	JP	D1397346	9/2010
EP	2745727 A1	6/2014	JP	D1408819	3/2011
EP	2826394 A1	1/2015	JP	D1408988	3/2011
EP	2829484 A1	1/2015	JP	2014184051 A	10/2014
EP	2829485 A1	1/2015	JP	3208907 U	2/2017
EP	2904926 A1	8/2015	JP	6206200 B2	10/2017
EP	3013176 A1	5/2016	JP	6226662 B2	11/2017
EP	3027078 A1	6/2016	JP	2019119506 A	7/2019
EP	3073852 A1	10/2016	KR	100395931 B1	8/2003
EP	3216363 A1	9/2017	KR	3020030024985	9/2003
EP	3351130 A1	7/2018	KR	200362331 Y1	9/2004
EP	3403521 A1	11/2018	KR	20070101643 A	10/2007
EP	3581059 A1	12/2019	KR	20070103598 A	10/2007
FR	1198768 A	12/1959	KR	3020070008850	12/2007
FR	2179844 A1	11/1973	KR	300492699.0000	5/2008
FR	2223248 A1	10/1974	KR	20090074289 A	7/2009
FR	2638950 A1	5/1990	KR	100921297 B1	10/2009
FR	2689100 A1	10/1993	KR	101267451 B1	5/2013
FR	2711044 A1	4/1995	KR	300740505.0000	4/2014
FR	2712257 A1	5/1995	KR	300831147.0000	12/2015
FR	2809690 A1	12/2001	KR	300887228.0000	12/2016
FR	2870692 A1	12/2005	KR	300908948.0000	6/2017
FR	2912997 A1	8/2008	KR	300908949.0000	6/2017
GB	854540 A	11/1960	KR	300915252.0000	7/2017
GB	2023550 A	1/1980	KR	20180037090 A	4/2018
GB	2023551 A	1/1980	KR	300968949.0000	8/2018
GB	2032814 A	5/1980	KR	300982867.0000	11/2018
GB	2047073 A	11/1980	KR	300983257.0000	12/2018
GB	1041392 A	10/1986	KR	300990253.0000	1/2019
GB	2023549 A	9/1992	KR	3009902440000	1/2019
GB	2278874 A	12/1994	KR	300996066.0000	3/2019
GB	2291042 A	1/1996	KR	102054504 B1	12/2019
GB	2045135 A	2/1996	KR	301037245.0000	12/2019
GB	2308803 A1	7/1997	KR	301037251.0000	12/2019
GB	2289713 B	12/1997	KR	301050842.0000	3/2020
GB	2421713 A	7/2006	KR	301541440002	4/2020
GB	2438189 A	11/2007	NL	7504291 A	10/1975
GB	2459111 A	10/2009	NL	8903105 A	7/1991
GB	4036176	7/2014	NL	1032860 C1	11/2006
GB	4037039	10/2014	RU	00100422 U1	12/2010
GB	9005804-0001	10/2018	TR	201708307-0001	2/2018
GB	9006576138-0004	6/2019	TW	M310869 U	5/2007
GB	90066075520006	7/2019	WO	9400034 A1	1/1994
			WO	D032061-005	4/1995
			WO	D035637-003	2/1996
			WO	D036648-008	6/1996
			WO	9631140 A1	10/1996

(56)

## References Cited

## FOREIGN PATENT DOCUMENTS

WO	9748613	A1	12/1997
WO	0041937	A1	7/2000
WO	0168477	A1	9/2001
WO	02064445	A1	8/2002
WO	03041529	A1	5/2003
WO	2004076291	A2	9/2004
WO	2006019314	A1	2/2006
WO	2006037302	A1	4/2006
WO	2008001029	A1	1/2008
WO	2008034603	A1	3/2008
WO	2009028960	A1	3/2009
WO	2011135559	A1	11/2011
WO	2012000497	A1	1/2012
WO	2012029119	A1	3/2012
WO	D078390-004		11/2012
WO	2013014670	A1	1/2013
WO	D080557-001		4/2013
WO	2013126851	A1	8/2013
WO	2014131214	A1	9/2014
WO	2014193073	A1	12/2014
WO	2015040526		3/2015
WO	2015087357	A1	6/2015
WO	2016072912	A1	5/2016
WO	2016091570	A1	6/2016
WO	2017034992	A1	3/2017
WO	2017088278	A1	6/2017
WO	2017091899	A1	6/2017
WO	2017191628	A1	11/2017
WO	2017192694	A1	11/2017
WO	2018012675	A1	1/2018
WO	2018086193	A1	5/2018
WO	2018169478	A1	9/2018
WO	2019238228	A1	12/2019
WO	2020030766	A1	2/2020

## OTHER PUBLICATIONS

Pelican Elite 50 Quart Cooler, available Nov. 9, 2016, [online], [site visited Mar. 31, 2018]. Available from internet, <URL: [https://www.amazon.com/Pelican-Elite-Quart-Cooler-White/product-reviews/B01G7KG5PA/ref=cm\\_cr\\_getr\\_d\\_paging\\_btm\\_5?ie=UTF8&reviewerType=all\\_reviews&sortBy=recent&pageNumber=5](https://www.amazon.com/Pelican-Elite-Quart-Cooler-White/product-reviews/B01G7KG5PA/ref=cm_cr_getr_d_paging_btm_5?ie=UTF8&reviewerType=all_reviews&sortBy=recent&pageNumber=5) (Year:2016).

Pelican Storm Waterproof Case, available Jul. 27, 2009, [online], [site visited Mar. 31, 2018]. Available from internet, <URL: [https://www.amazon.com/dp/B002JB07D8?axitk=EqSpVoa9QpKAGqst7rmxMA&pd\\_rd\\_i=B002JB07D8&pf\\_rd\\_m=ATVPDKIKX0DER&pf](https://www.amazon.com/dp/B002JB07D8?axitk=EqSpVoa9QpKAGqst7rmxMA&pd_rd_i=B002JB07D8&pf_rd_m=ATVPDKIKX0DER&pf) (Year: 2009).

Outdoor Products Small Watertight Dry Box, Blue, available May 31, 2016, [online], [site visited Mar. 31, 2018]. Available from internet, <URL: <https://www.walmart.com/ip/Outdoor-Products-Small-Watertight-Dry-Box-Blue/26674162> (Year: 2016).

Sep. 20, 2018—(WO) International Search Report and Written Opinion—App. PCT/US2018/037100.

yeti.com, Images of Loadout Bucket Web Page visited on Mar. 17, 2020, at [https://www.yeti.com/en\\_US/buckets/loadout-5-gallon-bucket/YLOB5.html?dwvar\\_YLOB5\\_color=white&cgid=buckets#start=1](https://www.yeti.com/en_US/buckets/loadout-5-gallon-bucket/YLOB5.html?dwvar_YLOB5_color=white&cgid=buckets#start=1) <[https://www.yeti.com/en\\_US/buckets/loadout-5-gallon-bucket/YLOB5.html?dwvar\\_YLOB5\\_color=white&cgid=buckets](https://www.yeti.com/en_US/buckets/loadout-5-gallon-bucket/YLOB5.html?dwvar_YLOB5_color=white&cgid=buckets)>.

amazon.com, “Top Shelf Custom Injection Molded ABS Saddlebag Organizer Tray, 2014—Current H-D ABS Hard Bags, LFT by Advanced Accessory Concepts LLC,” visited Oct. 16, 2019 and revisited Jan. 6, 2020 at [https://www.amazon.com/Custom-Injection-Molded-Saddlebag-Organizer/dp/B01MQWBM40/ref=sr\\_1\\_38?keywords=luggage+hard+removable+liner&qid=1571270714&sr=8-38](https://www.amazon.com/Custom-Injection-Molded-Saddlebag-Organizer/dp/B01MQWBM40/ref=sr_1_38?keywords=luggage+hard+removable+liner&qid=1571270714&sr=8-38).

amazon.com, “TCMT Matt Black Chopped Tour Pack Trunk w/Backrest Fits For Harley Street Road Glide 2014-2020 (Style B) by TCMT,” visited Oct. 16, 2019 and revisited Jan. 6, 2020 at <https://www.amazon.com>.

amazon.com, “Pelican Air 1615 Travel Case—Suitcase Luggage (Blue) by Pelican,” visited Oct. 16, 2019 and revisited Jan. 6, 2020 at [https://www.amazon.com/Pelican-Air-1615-Travel-Case/dp/B07XGHDK66?ref=ast\\_sto\\_dp](https://www.amazon.com/Pelican-Air-1615-Travel-Case/dp/B07XGHDK66?ref=ast_sto_dp).

amazon.com, “Pelican 015100-0050-110 Protector Carry-On Case Black w/TrekPak Insert: Camera & Photo,” visited Oct. 16, 2019 and revisited Jan. 6, 2020 at [https://www.amazon.com/Pelican-1510TP-Carry-TrekPak-Divider/dp/B01E4E1BFK/ref=sr\\_1\\_48?crd=3CJLVWN9DJ62R&keywords=carry+on+organizer+insert&qid=1571270299&sprefix=carry+on+organizer%2Caps%2C143&sr=8-48](https://www.amazon.com/Pelican-1510TP-Carry-TrekPak-Divider/dp/B01E4E1BFK/ref=sr_1_48?crd=3CJLVWN9DJ62R&keywords=carry+on+organizer+insert&qid=1571270299&sprefix=carry+on+organizer%2Caps%2C143&sr=8-48).

amazon.com, “Samsonite F’Lite GT 31” Hardside Wheeled Luggage (Vivid Blue),” visited Dec. 16, 2019 and revisited Jan. 7, 2020 at <<https://www.amazon.com/Samsonite-Flite-Spinner-Black-Size/dp/B01LTG2XVC?th=1>> Samsonite F’Lite GT 31” Hardside Wheeled Luggage (Vivid Blue).

alibaba.com, “Removable Spinner Wheels for Suitcase Replacement Suitcase Luggage,” visited Dec. 16, 2019 and revisited Jan. 7, 2020 at [https://www.alibaba.com/product-detail/Removable-Spinner-Wheels-For-Suitcase-Replacement\\_605641600](https://www.alibaba.com/product-detail/Removable-Spinner-Wheels-For-Suitcase-Replacement_605641600).

amazon.com, “Lockable Tackle Box Fishing Waterproof Fly Fishing Box Double Sided Ice Fishing Tackle Case Box Storage Waterproof: 360 Degree Rubber Gasket, Durable Plastic Construction Double Sided Triangle-Cut For,” visited Dec. 16, 2019 and revisited Jan. 7, 2020 at <<https://www.amazon.com/Lockable-Tackle-Fishing-Waterproof-Storage/dp/B07MFF6S6N>>.

yankodesign.com, “Vacuum Packed Suitcase,” visited Dec. 16, 2019 and revisited Jan. 7, 2020 at <<https://www.yankodesign.com/2011/11/28/vacuum-packed-suitcase/>>.

alibaba.com, “Portable Luggage Wheels for Luggage Trolley Bags & Suitcase,” visited Dec. 16, 2019 and revisited Jan. 7, 2020 at [https://www.alibaba.com/product-detail/Portable-Luggage-Wheels-for-luggage-Trolley\\_1854722793.html](https://www.alibaba.com/product-detail/Portable-Luggage-Wheels-for-luggage-Trolley_1854722793.html).

northerntool.com, “Dewalt 28in. Wheeled Toolbox, Model# DWST28100,” visited on Apr. 6, 2020 at [https://www.northerntool.com/shop/tools/product\\_200726534\\_200726534](https://www.northerntool.com/shop/tools/product_200726534_200726534).

walmart.com, “Sterilite 151L Black Wheeled Industrial Tote,” visited on Apr. 6, 2020 at <https://www.walmart.ca/en/ip/sterilite-151l-black-wheeled-industrial-tote/6000195957310>.

globalindustrial.com, “Contico UK3725-4 Rolling Pro Tuff Work Box,” visited on Apr. 6, 2020 at <https://www.globalindustrial.com/p/tools/tool-storage/Jo-Site/rolling-pro-tuff-work-box?infoParam.campaignId=T9F>.

amazon.com, “Grey: Akro-Mils 33105 Akro-Grid Slotted Divider Plastic Tote Box,” visited on Apr. 6, 2020 at <https://www.amazon.in/Grey-Akro-Mils-Akro-Grid-Slotted-Divider/dp/B004C044VU>.

globalindustrial.com, “Global Industrial™ Plastic Dividable Grid Container,” visited on Apr. 6, 2020 at <https://www.globalindustrial.com/p/storage/bins-totes-containers/dividable-grid/grid-wall-bin-stackable-1>.

globalindustrial.com, “Straight Wall Container Solid,” visited on Apr. 6, 2020 at <https://www.globalindustrial.com/p/storage/bins-totes-containers/stacking-containers/straight-wall-container-12x7-2-5x5>.

Lowe’s, “Craftsman 37-in Black Plastic Wheels Lockable Tool Box,” <https://www.lowes.com/pd/CRAFTSMAN-37-in-Black-Plastic-Wheeled-Lockable-Tool-Box/1000578337>.

B&H, “Nanuk 960 Protective Rolling Case with Dividers and Organizer (Black),” [https://www.bhphotovideo.com/c/product/1504703-REG/nanuk\\_960\\_6001\\_960\\_waterproof\\_hard\\_case.html](https://www.bhphotovideo.com/c/product/1504703-REG/nanuk_960_6001_960_waterproof_hard_case.html), May 26, 2020.

Toolguyd, “Milwaukee Packout Tool Boxes and Storage System, in Photos,” <https://toolguyd.com/milwaukee-packout-tool-boxes-photo-introduction/>, visited May 26, 2020.

May 12, 2020—(WO) Partial International Search—PCT/US2020/012404.

Jul. 6, 2020—(WO) International Search Report & Written Opinion—PCT/US2020/012404.

Aug. 13, 2020—(WO) Partial International Search—PCT/US2020/026655.

Oct. 7, 2020—(WO) ISR & WO—PCT/US2020/026655.

Dec. 2, 2020—(CN) First Office Action—App. No. 201880036572.1.

(56)

**References Cited**

## OTHER PUBLICATIONS

Apr. 7, 2021—(CN) First Office Action—App. No. 202030815015.X.

Oct. 18, 2021—(WO) International Search Report & Written Opinion—PCT/US21/023632.

www.amazon.com; website visited Oct. 6, 2021; Pelican 1510 Case with Foam; Date First Available Oct. 2, 2001; [https://www.amazon.com/Pelican-1510-Case-Foam-Black/dp/B0002SKHIK/ref=sr\\_1\\_123?dchild=1&keywords=wheeled+tool+box+for+flying&qid=16%E2%80%A6](https://www.amazon.com/Pelican-1510-Case-Foam-Black/dp/B0002SKHIK/ref=sr_1_123?dchild=1&keywords=wheeled+tool+box+for+flying&qid=16%E2%80%A6) (Year: 2001).

Halliburton Pursuit Aluminum Continental Carry-on Case, Site visited on Oct. 6, 2021; website captured on May 20, 2020 via wayback: <https://web.archive.org/web/20200520103816/https://zerohalliburton.com/collections/luggage> (Year: 2020).

Nov. 24, 2021—(CN) 2nd Notification of Making Rectification—App. No. 202130371103.X.

9to5toys.com, Site visited Dec. 28, 2021, “Review, Pelican’s Impressive Elite Luggage is built like a tank, but is it worth the price tag?” Published by Justin Kahn on May 29, 2016, <https://9to5toys.com/2016/05/29/review-pelicans-impressive-elite-luggage-is-built-like-a-tank-but-is-it-worth-the-price-tag/> (Year: 2016).

Amazon.ca, Site visited Dec. 27, 2021, Trolley Box Suitcase by Yadsheng, First available Sep. 23, 2019, <https://www.amazon.ca/Suitcase-Universal-Portable-Hardshell-Business/dp/B07Y7R8RN1> (Year: 2019).

Amazon.ca, Site visited Dec. 27, 2021, Bamboo Wolf Hardside Suitcase, First available May 29, 2020, <https://www.amazon.ca/Aluminum-Hardside-Suitcase-Business-Travelling/dp/B085M1CB6J> (Year: 2020).

Amazon.ca, Site visited Dec. 28, 2021, Rimowa Suitcase, First available Jan. 25, 2017, <https://www.amazon.ca/Rimowa-Classic-Luggage-Multiwheel-Suitcase/dp/B01N6NEIIX> (Year: 2017).

Amazon.ca, Site visited Dec. 28, 2021, Travelking Spinner Suitcase, First available May 4, 2017, <https://www.amazon.ca/Multi-size-Aluminum-Luggage-Suitcase-TravelKing/dp/B06Y53X785> (Year: 2017).

Amazon.ca, Site visited Dec. 28, 2021, Level8 Gibraltar Suitcase, First available Jan. 24, 2019, <https://www.amazon.ca/dp/B07MX224X5> (Year: 2019).

Amazon.ca, Site visited Dec. 28, 2021, Samsonite Centric, First available Sep. 20, 2017, <https://www.amazon.ca/Samsonite-Ce-Intric-Hardside-Expandable-Luggage/dp/B074VJYRZN> (Year: 2017).

Whereintheworldisnina.com, Site visited Dec. 28, 2021, “Choosing the Best Hard Shell Luggage for your Trip” by Nina Ragusa published on Apr. 29, 2019 Features the Maxlite, Timberland, and Level8 luggage cases with compression straps, <https://whereintheworldisnina.com/best-hard-shell-luggage/> (Year: 2019).

Nytimes.com, Site visited Dec. 28, 2021, “Are Away Carry-Ons Worth the Hype” by Kit Dillon published on May 19, 2020 Features

the Muji Carry-on with compression strap, <https://www.nytimes.com/wirecutter/reviews/are-away-carry-ons-worth-the-hype/> (Year: 2020).

Amazon.ca, Site visited Dec. 28, 2021, Bamboo Wolf Hard Shell Luggage, First available May 29, 2020, <https://www.amazon.ca/Aluminum-Magnesium-Hardside-Suitcase-Zipperless-Business/dp/B085M1CB6J> (Year: 2020).

Jan. 28, 2022—(JP) Office Action—App. No. 2019566933.

Mar. 29, 2022—(CN) First Office Action—Appl. No. 202080008216.6.

Home Depot, “Husky 37 in. Rolling Tool Box Utility Cart Black,” <<https://www.homedepot.com/p/Husky-37-in-Rolling-Tool-Box-Utility-Cart-Black-209261/203668066>>, visited Jun. 1, 2020.

Design No. 307261784, Jun. 16, 2021—China National Intellectual Property Administration (CNIPA) Publication Date—Apr. 15, 2022 Owner—Yeti Coolers LLC, Designer—Dustin Bullock WIPO, available at <https://www3.wipo.int/designdb/en/index.jsp> (Year: 2022).

Apr. 13, 2022—(MX) Notice of Allowance—Appl. No. MX/f/2020/003209.

Apr. 13, 2022—(MX) Notice of Allowance—Appl. No. MX/f/2020/003210.

May 2, 2022—(CA) Office Action—Appl. No. 200171.

May 2, 2022—(CA) Office Action—Appl. No. 200172.

May 13, 2022—(CN) Office Action—App. No. 202210270032.8.

Jun. 3, 2022—(WO) International Search Report and Written Opinion—PCT/US2021/063684.

Apr. 19, 2022—(JP) Office Action—App. No. 2021-012889.

Jun. 28, 2022—(JP) Office Action—App. No. 2021539546.

Newatlas.com, site visited Oct. 18, 2022, “The Survivor—Griffin’s military grade iPhone 4 Case” published by Ben Coxworth on Feb. 23, 2011 features the Griffin Technology Survivor Extreme Duty Case, <https://newatlas.com/survivor-military-grade-iphone-case/17956/> (Year: 2011).

Amazon.com, site visited Oct. 18, 2022, Ballistic Store Hard Core Case, first available Nov. 19, 2011, <https://www.amazon.com/Ballistic-Built-Screen-Protection-Holster/dp/B0069WKPRQ?th=1> (Year: 2011).

Bhphotovideo.com, Site visited Sep. 28, 2022, Pelican BA22 Elite Carry-On Luggage, Oldest review dated Sep. 23, 2017, [https://www.bhphotovideo.com/c/product/1073813-REG/pelican\\_lg\\_ba22\\_gryblk\\_22\\_elite\\_carry\\_on\\_luggage.html/reviews](https://www.bhphotovideo.com/c/product/1073813-REG/pelican_lg_ba22_gryblk_22_elite_carry_on_luggage.html/reviews) (Year: 2017).

Design No. 307145073, Jun. 16, 2021, China National Intellectual Property Administration (CNIPA), published Mar. 8, 2022, Yeti Coolers LLC., Designer Dustin Block, retrieved from <https://www3.wipo.int/designdb/en/index.jsp> (Year: 2022).

amazon.com, “HardBagger Top Shelf Hard Saddlebag Organizer—Right or Left TS100HD by HardBagger,” visited Oct. 16, 2019 and revisited Jan. 6, 2020 at <<https://www.amazon.com/HardBagger-Shelf-Hard-Saddlebag-Organizer/dp/B0041CAJ68>>.

\* cited by examiner

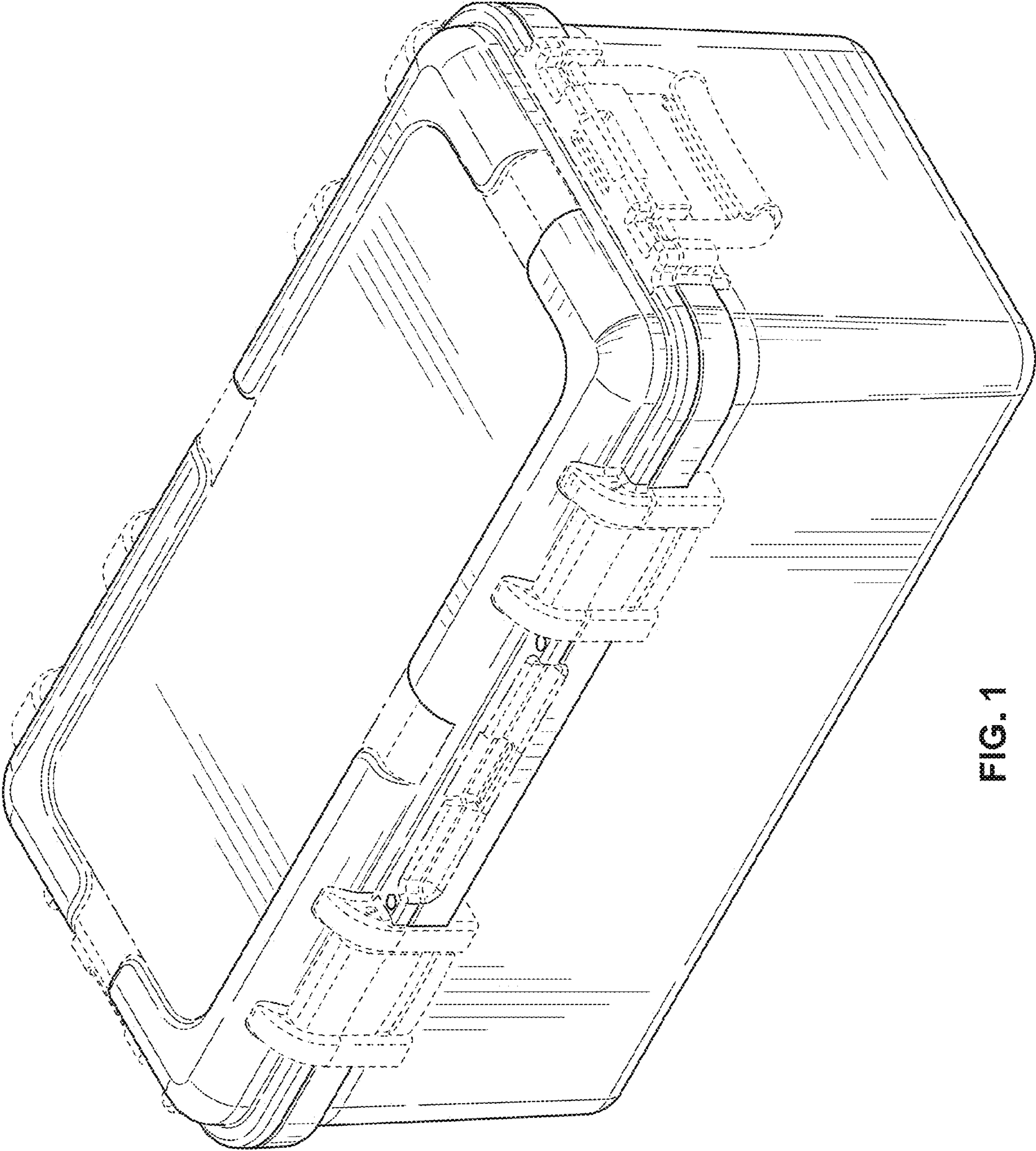


FIG. 1

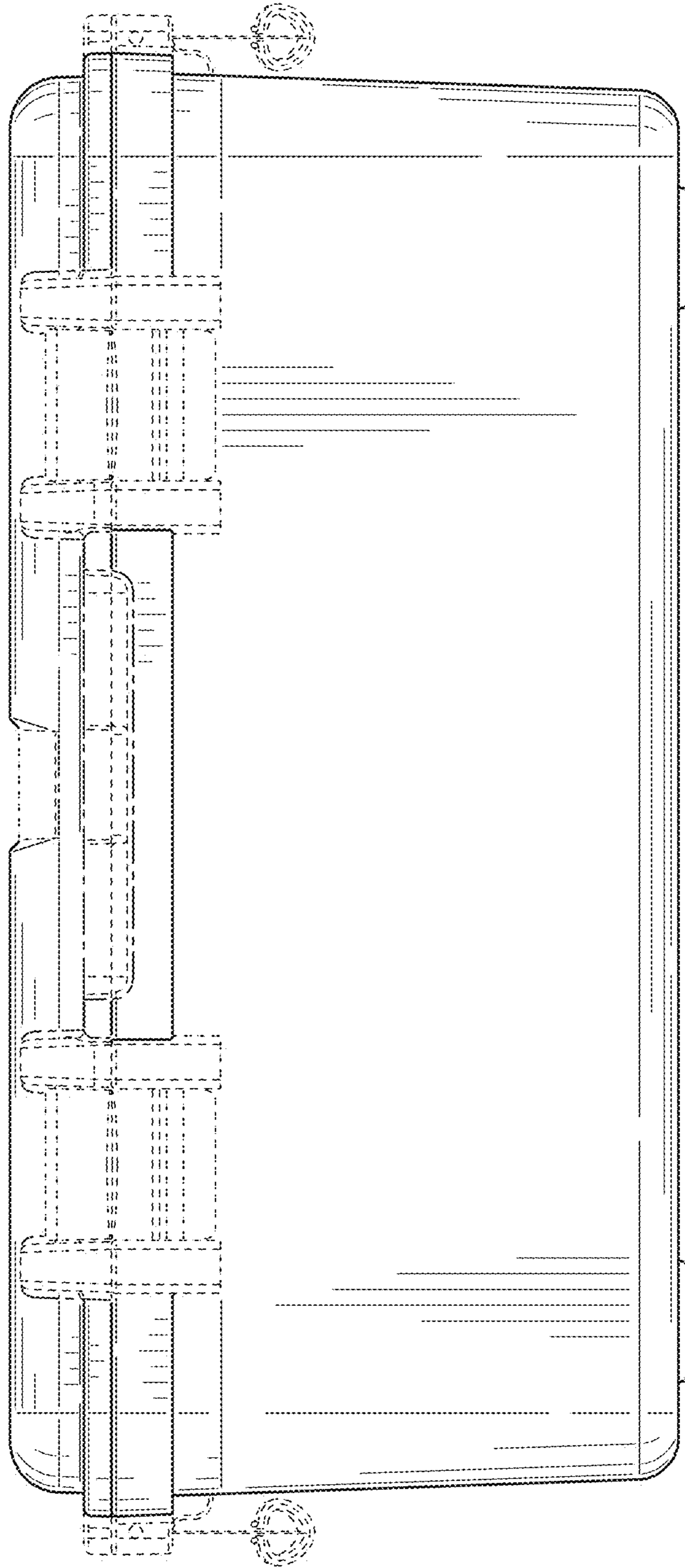


FIG. 2



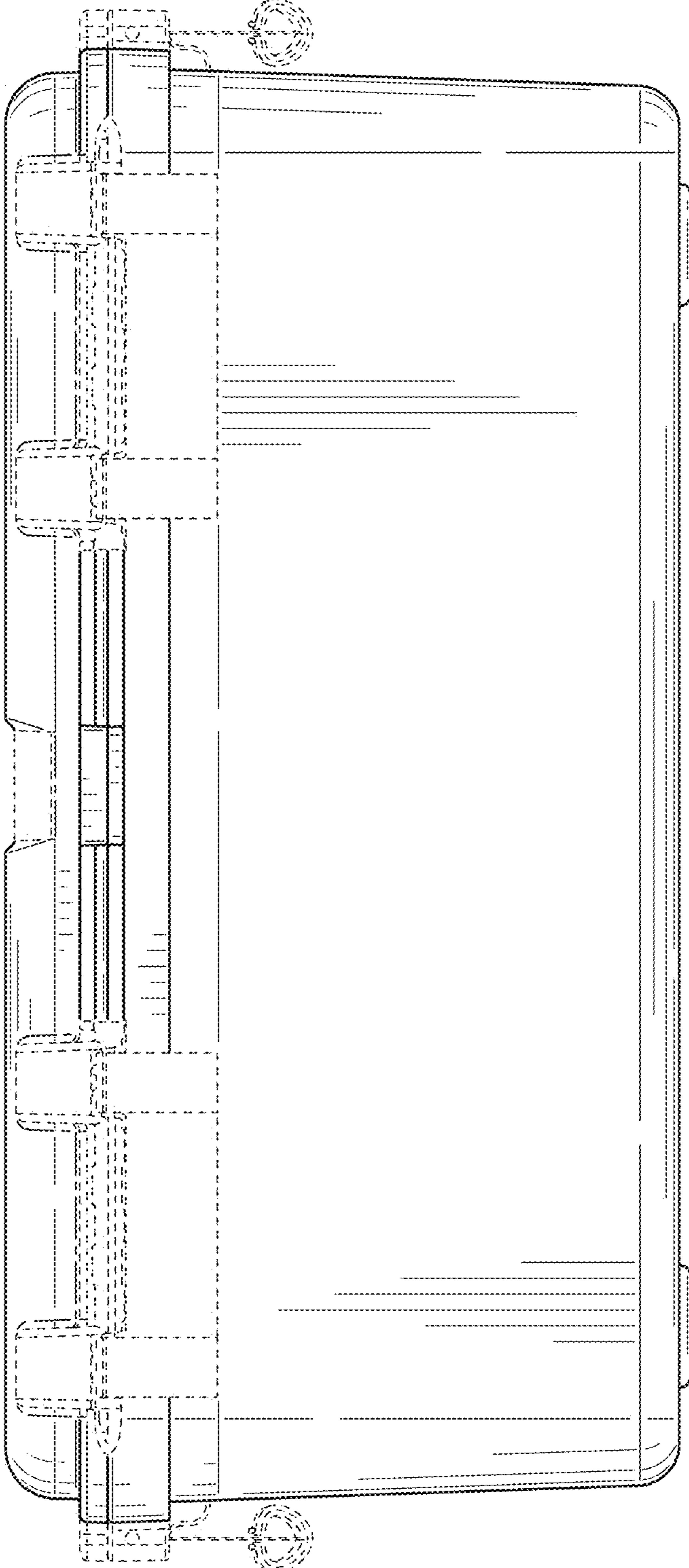


FIG. 3

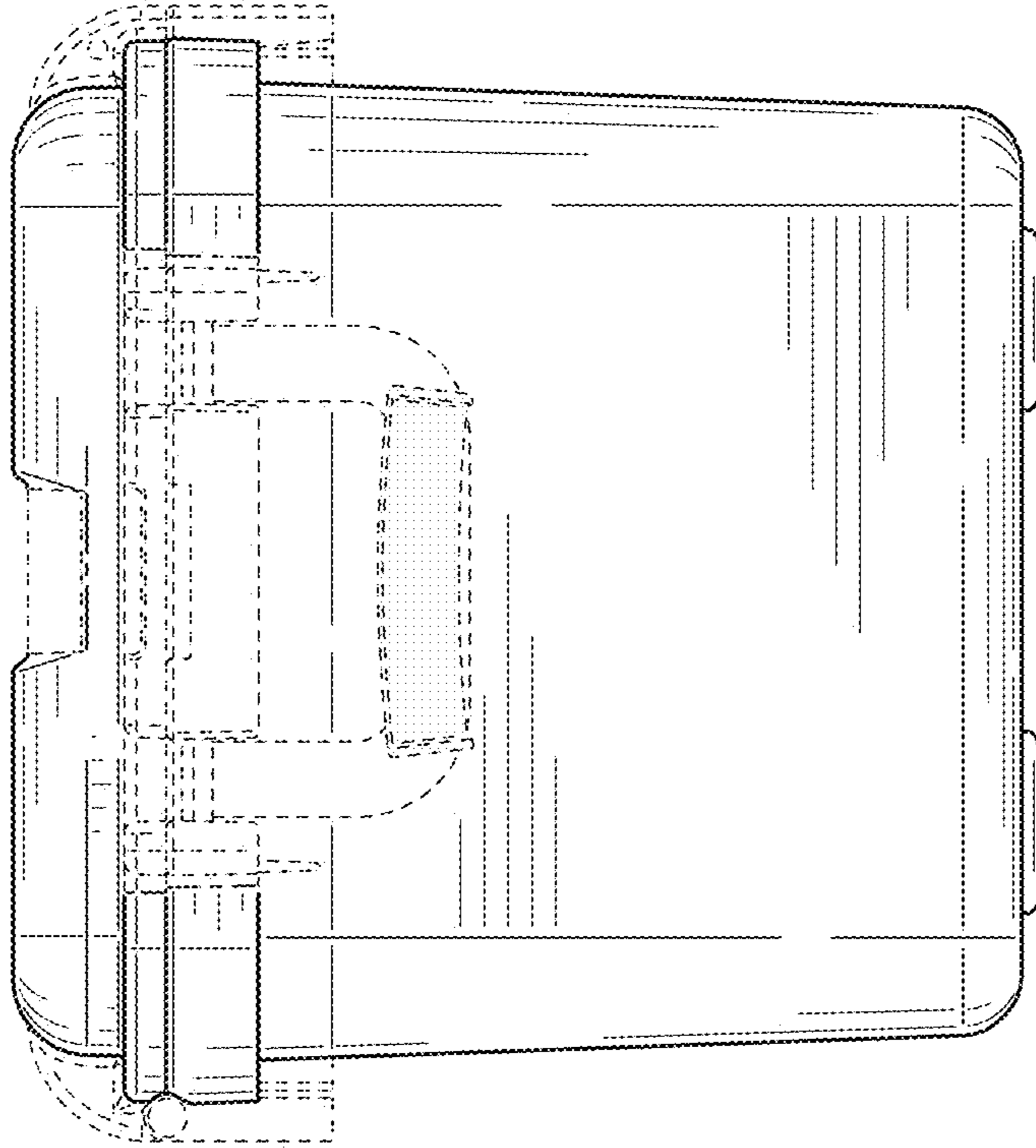


FIG. 5

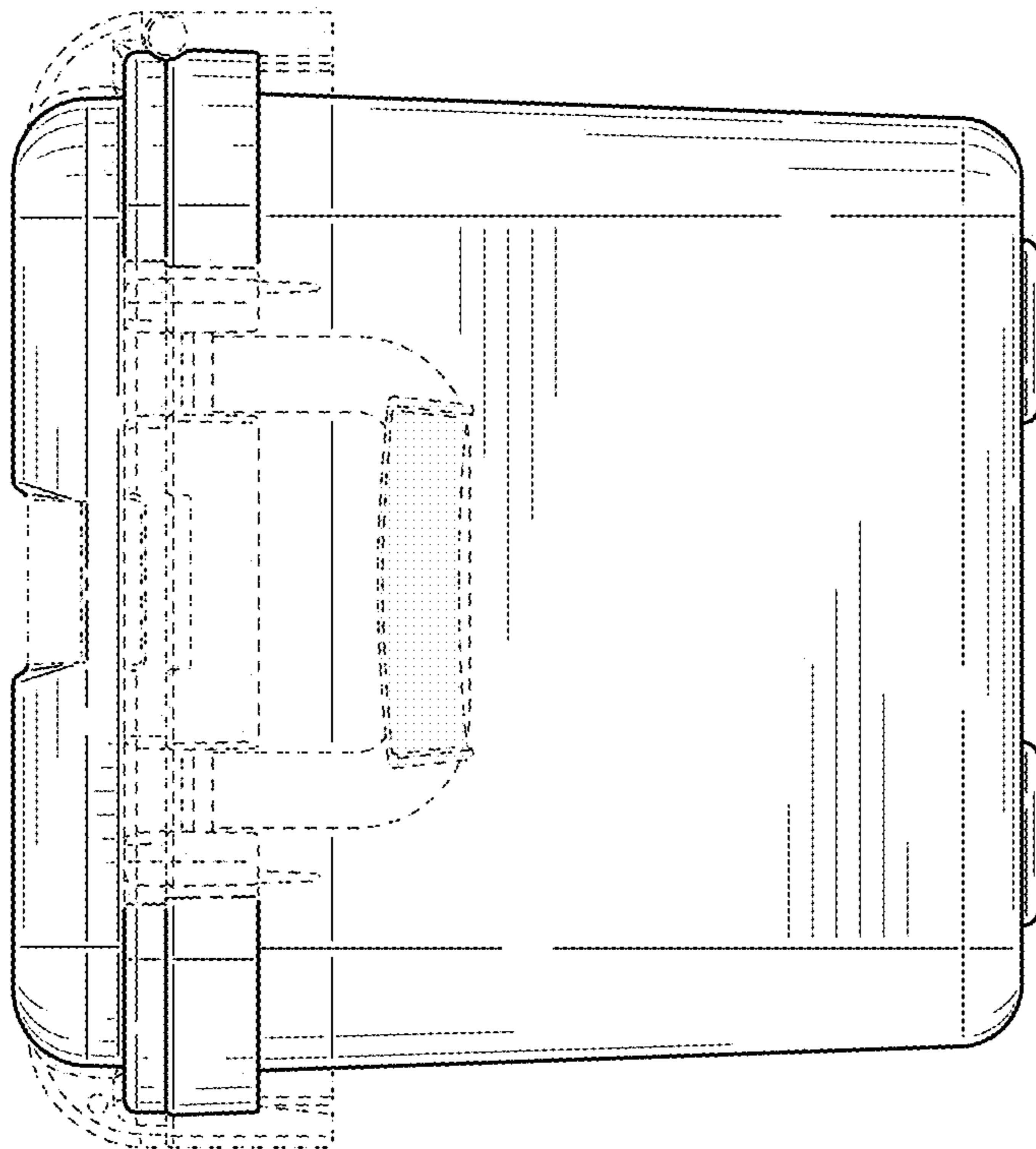


FIG. 4

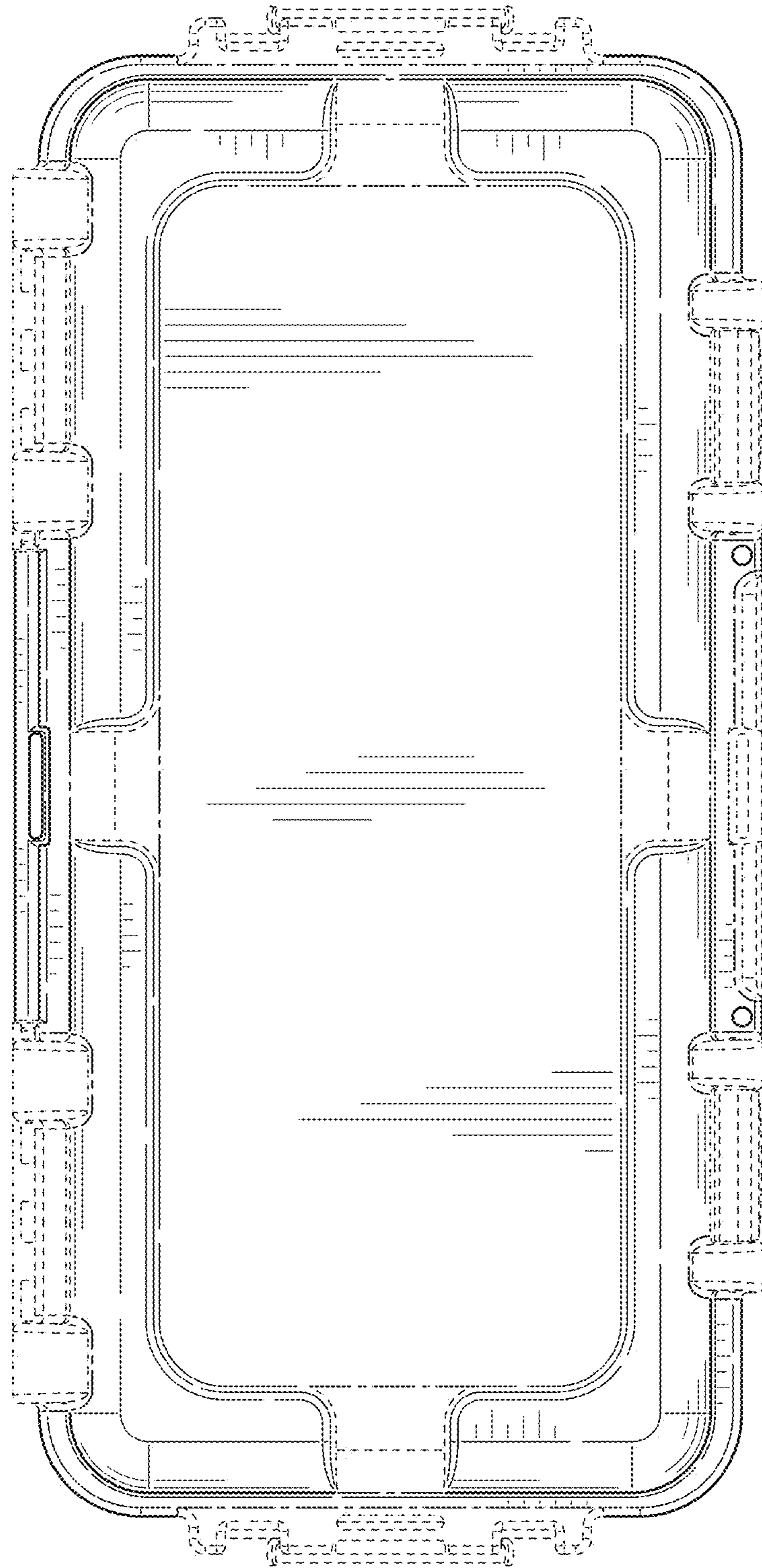


FIG. 6

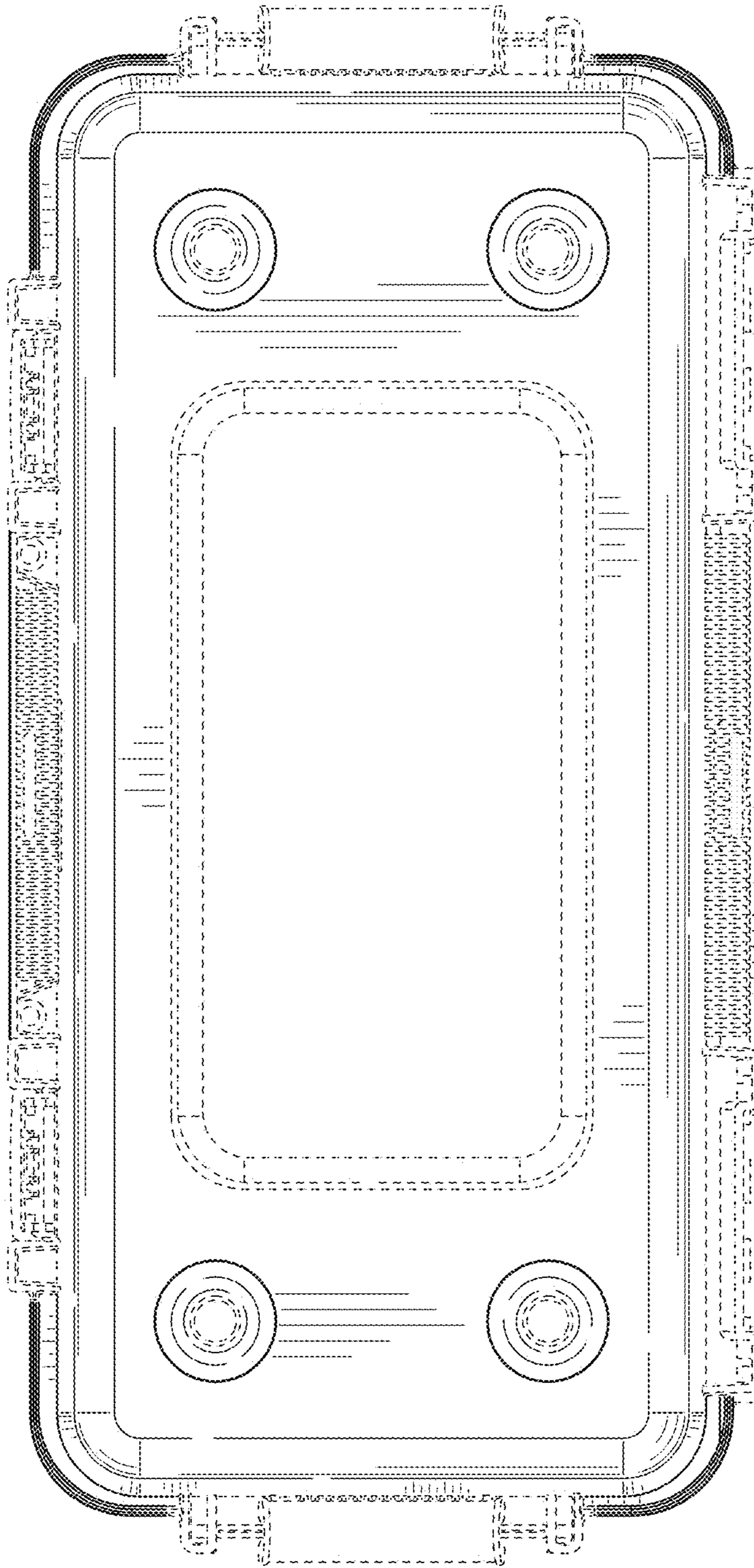


FIG. 7