



US0D1013961S

(12) **United States Design Patent** (10) **Patent No.:** **US D1,013,961 S**
Yang (45) **Date of Patent:** **** Feb. 6, 2024**

(54) **APPARATUS FOR CURING HAIR AND LASH EXTENSION**

(71) Applicant: **Cosmo Spa Lounge & Supply, Inc.**,
Oakland, CA (US)

(72) Inventor: **Soo-Jin Yang**, El Cerrito, CA (US)

(73) Assignee: **Cosmo Spa Lounge & Supply, Inc.**,
Oakland, CA (US)

(**) Term: **15 Years**

(21) Appl. No.: **29/783,458**

(22) Filed: **May 13, 2021**

(51) **LOC (14) Cl.** **28-04**

(52) **U.S. Cl.**
USPC **D28/93; D26/37**

(58) **Field of Classification Search**
USPC D28/9, 10, 36, 55, 99; D26/37-39
(Continued)

(56) **References Cited**

U.S. PATENT DOCUMENTS

D812,303 S * 3/2018 Pascullo D28/55
D866,826 S * 11/2019 To D26/38
(Continued)

OTHER PUBLICATIONS

Lynk-Gel Method for Gel Eyelash Extensions, Illumino Extensions,
published on Feb. 7, 2022, retrieved from: [https:// www.youtube.com/watch?v=O6pFHmHx9iY](https://www.youtube.com/watch?v=O6pFHmHx9iY).*

(Continued)

Primary Examiner — Alison M Ofstun

(74) *Attorney, Agent, or Firm* — Dergosits & Noah LLP

(57) **CLAIM**

The ornamental design for an apparatus for curing hair and lash extension, as shown and described.

DESCRIPTION

FIG. 1 is a top left perspective view of a first embodiment of an apparatus for curing hair and lash extension, showing my new design;

FIG. 2 is a top left perspective view thereof, shown in an environment of use;

FIG. 3 is a left-side plan view of the apparatus shown in FIG. 1;

FIG. 4 is a right-side plan view of the apparatus shown in FIG. 1;

FIG. 5 is a rear plan view of the apparatus shown in FIG. 1;

FIG. 6 is a front plan view of the apparatus shown in FIG. 1;

FIG. 7 is a top plan view of the apparatus shown in FIG. 1;

FIG. 8 is a bottom plan view of the apparatus shown in FIG. 1;

FIG. 9 is a top left perspective view of a second embodiment of an apparatus for curing hair and lash extension;

FIG. 10 is a top left perspective view thereof, shown in an environment of use;

FIG. 11 is a right-side plan view of the apparatus shown in FIG. 9;

FIG. 12 is a left-side plan view of the apparatus shown in FIG. 9;

FIG. 13 is a rear plan view of the apparatus shown in FIG. 9;

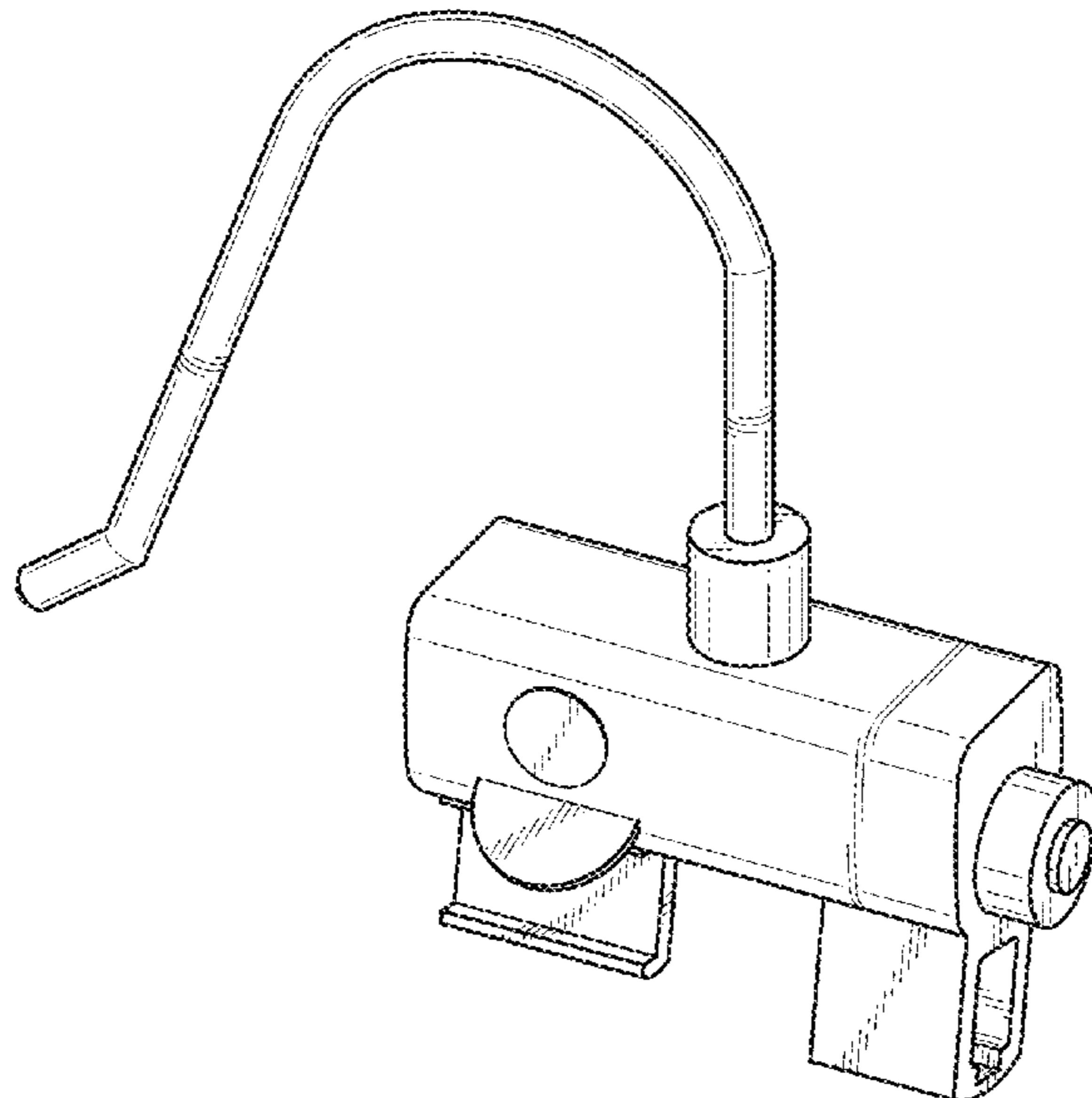
FIG. 14 is a front plan view of the apparatus shown in FIG. 9;

FIG. 15 is a top plan view of the apparatus shown in FIG. 9; and,

FIG. 16 is a bottom plan view of the apparatus shown in FIG. 9.

In the drawings, the broken line illustration of a tweezer illustrates environmental subject matter only and forms no part of the claimed design.

1 Claim, 12 Drawing Sheets



(58) **Field of Classification Search**

CPC . A45D 2/00; A45D 2/48; A45D 44/00; A45D
2200/205; A41G 5/02; A41G 5/0086;
F21V 21/0965; F21V 33/0084

See application file for complete search history.

(56) **References Cited**

U.S. PATENT DOCUMENTS

D930,203	S *	9/2021	Eichelberger	D26/39
D945,032	S *	3/2022	Qiu	D26/37
D945,033	S *	3/2022	Jiang	D26/39
D956,291	S *	6/2022	Xu	D26/37
D973,248	S *	12/2022	Mishan	D26/38
D984,050	S *	4/2023	Lotti	D28/7
2001/0042842	A1 *	11/2001	Leighley	A61L 2/10 250/455.11
2020/0390173	A1 *	12/2020	Yang	F21V 21/0965
2021/0102688	A1 *	4/2021	LaBuzetta	F21V 21/0885
2021/0120899	A1 *	4/2021	Zimmer	F21V 23/04
2023/0028455	A1 *	1/2023	Williams	F21L 4/045

OTHER PUBLICATIONS

Lynk-Gel Eyelash Extensions, Illumino Extensions, published on
Jul. 24, 2020, retrieved from: <https://www.youtube.com/watch?v=JNJe3DtRBTU>.*

* cited by examiner

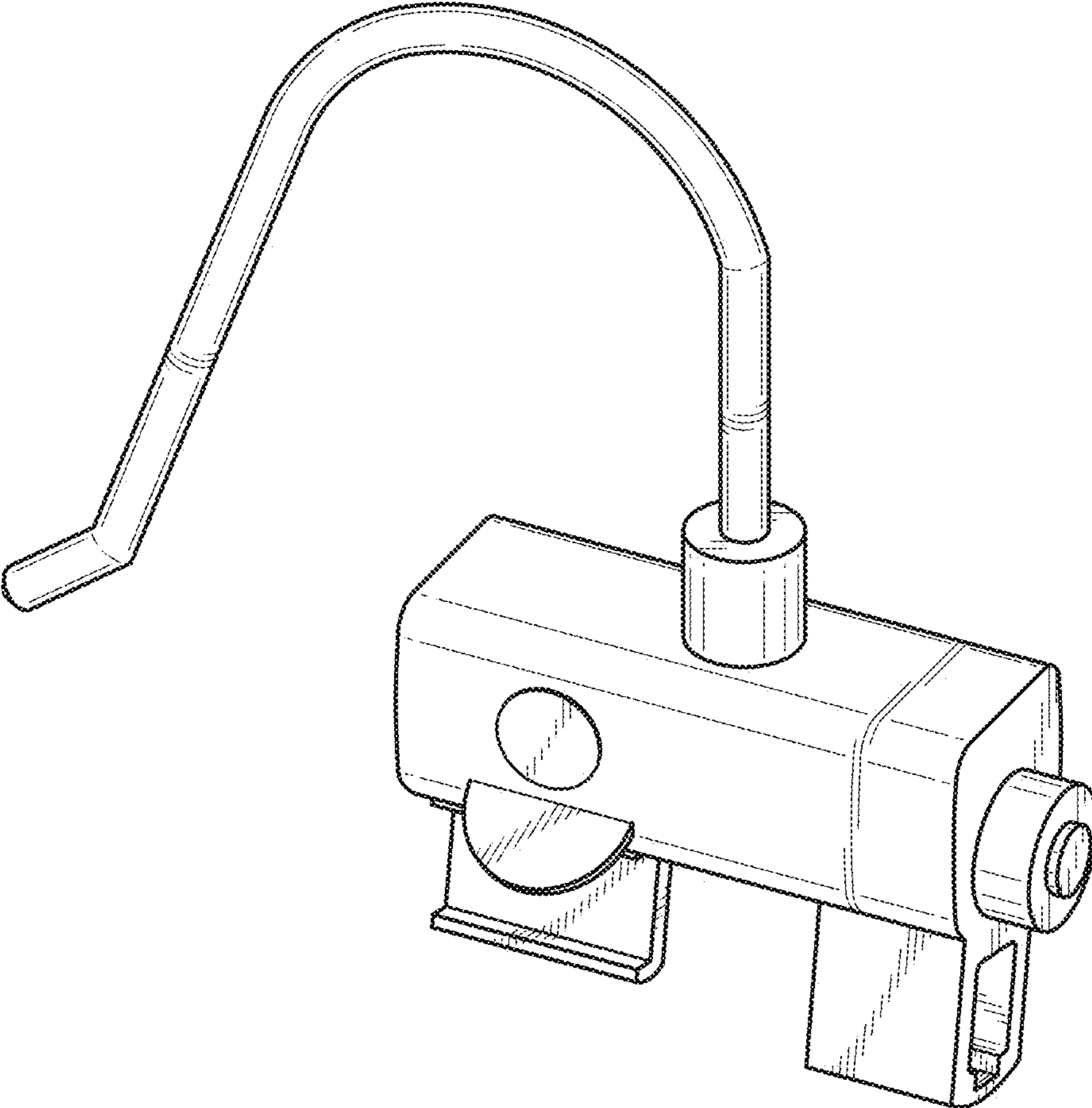


FIG. 1

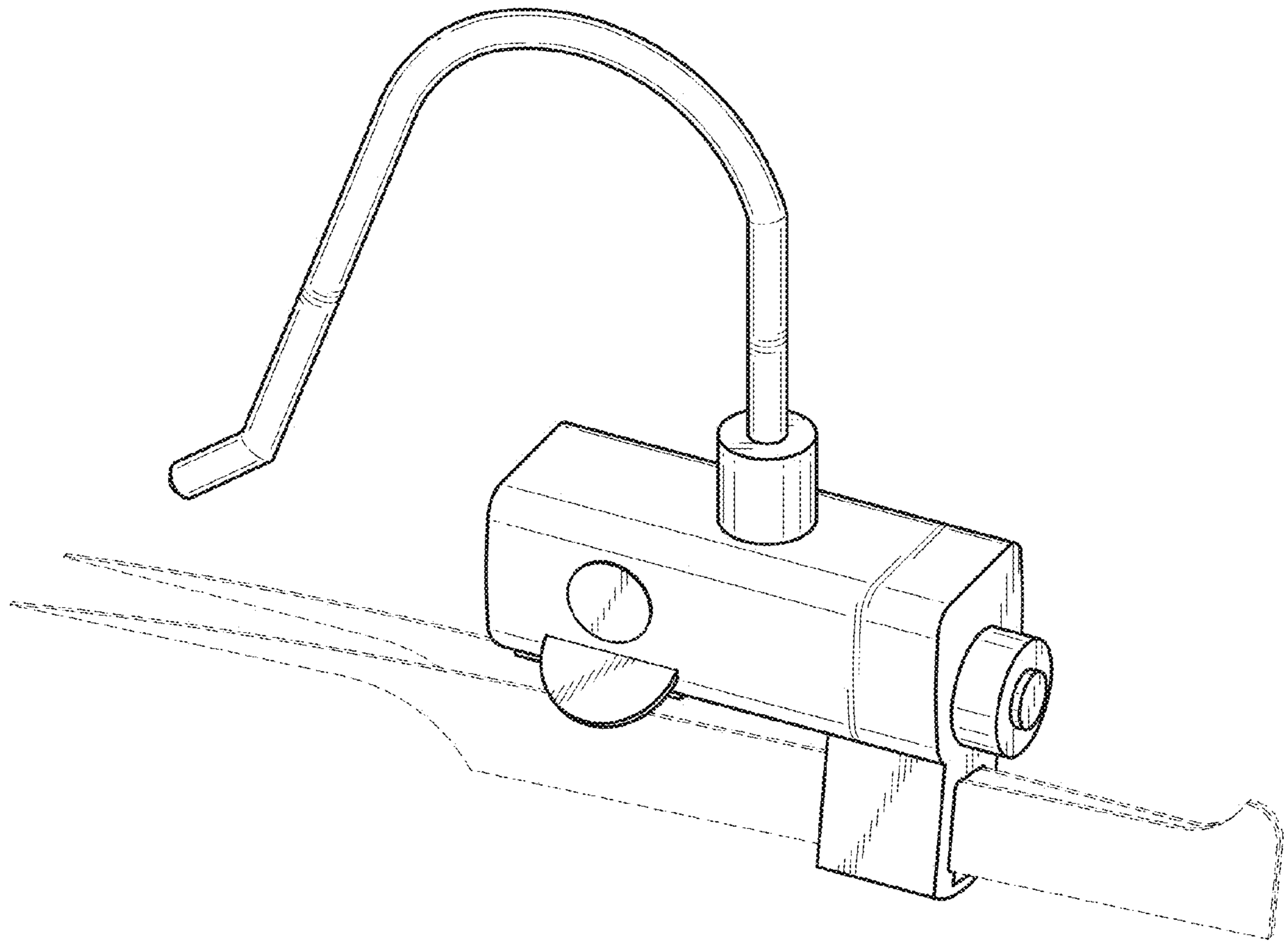


FIG. 2

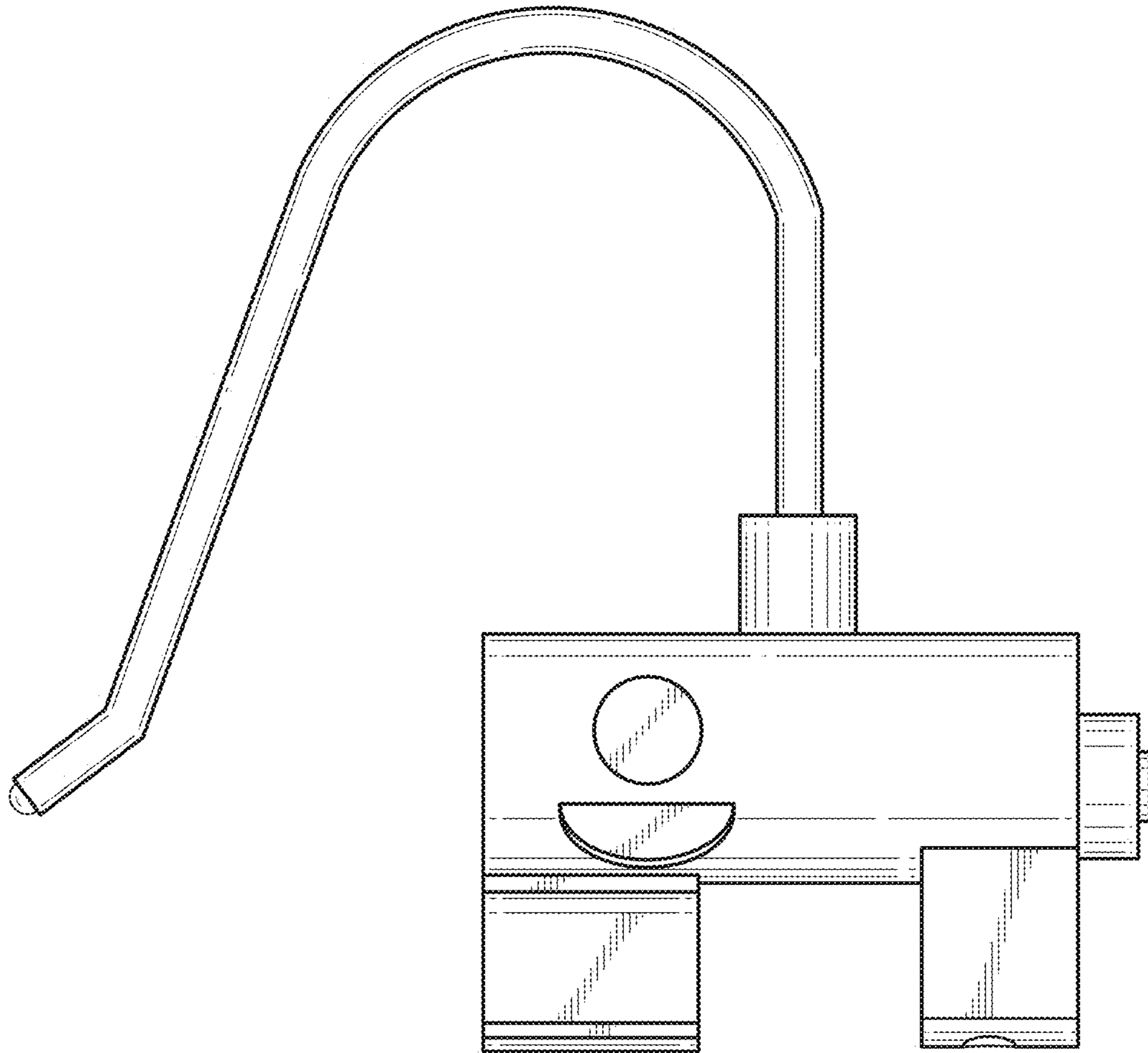


FIG. 3

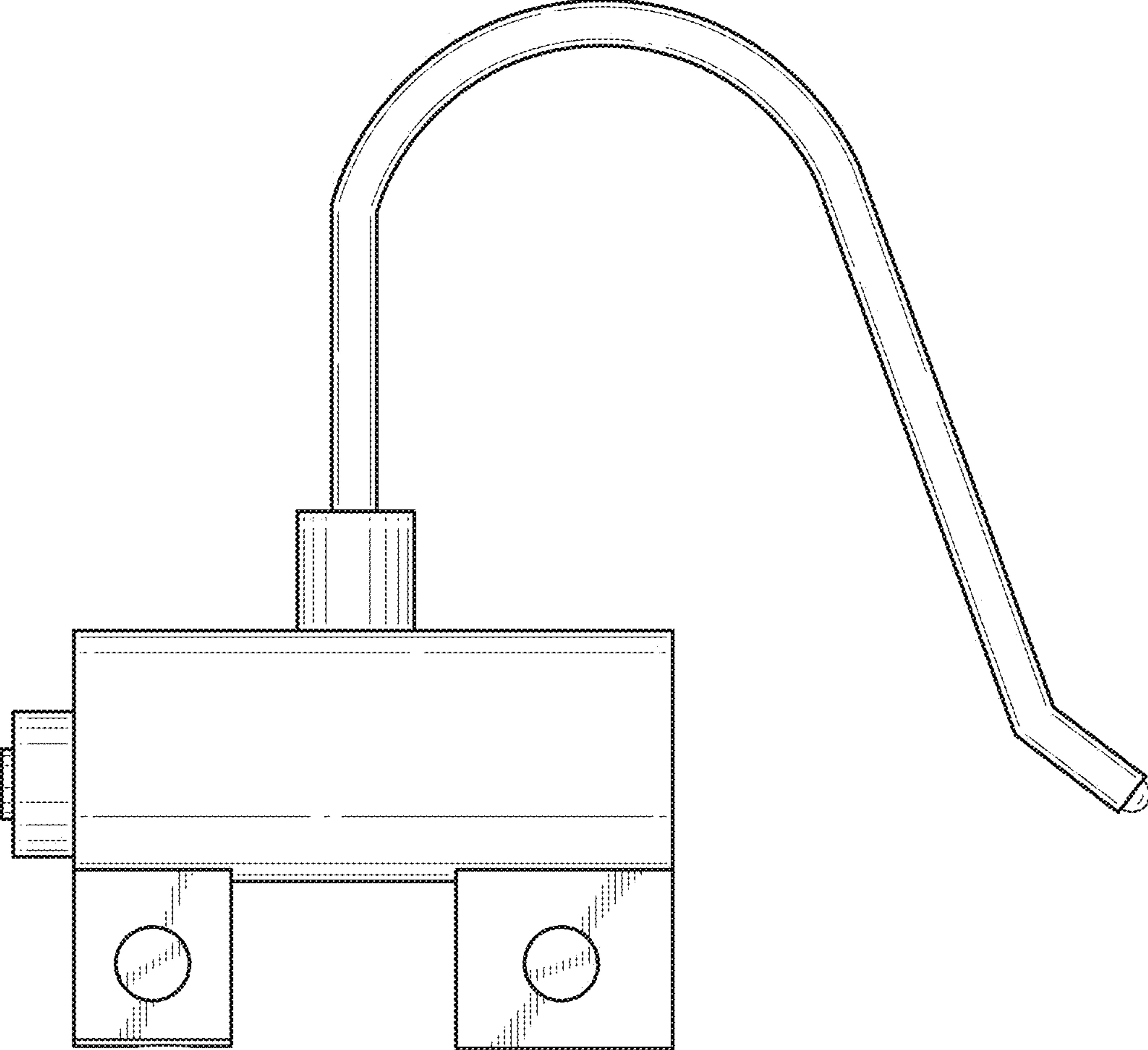


FIG. 4

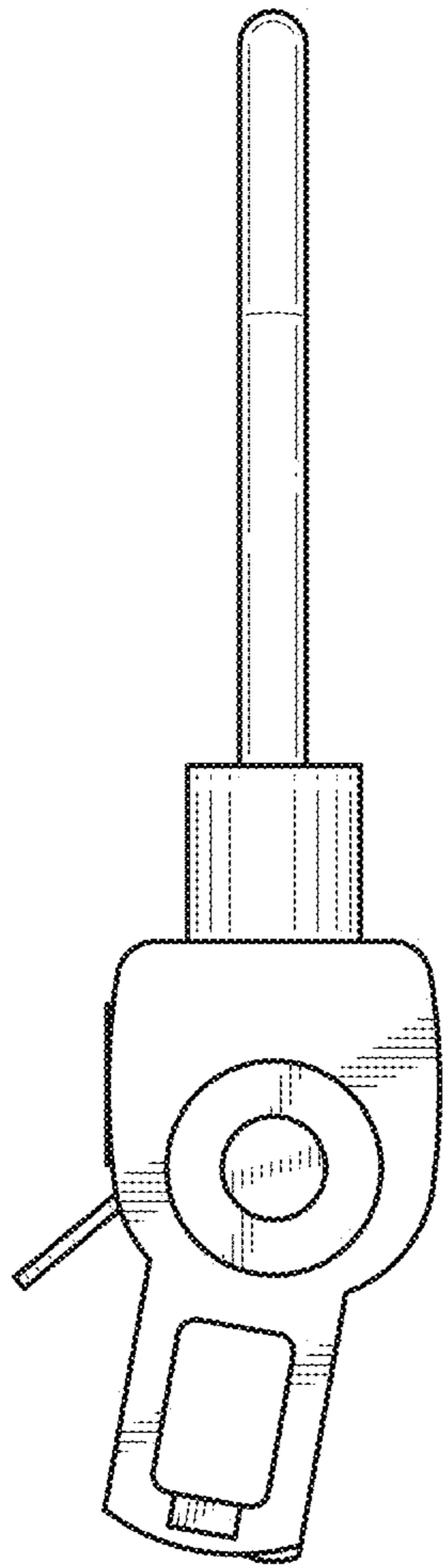


FIG. 5

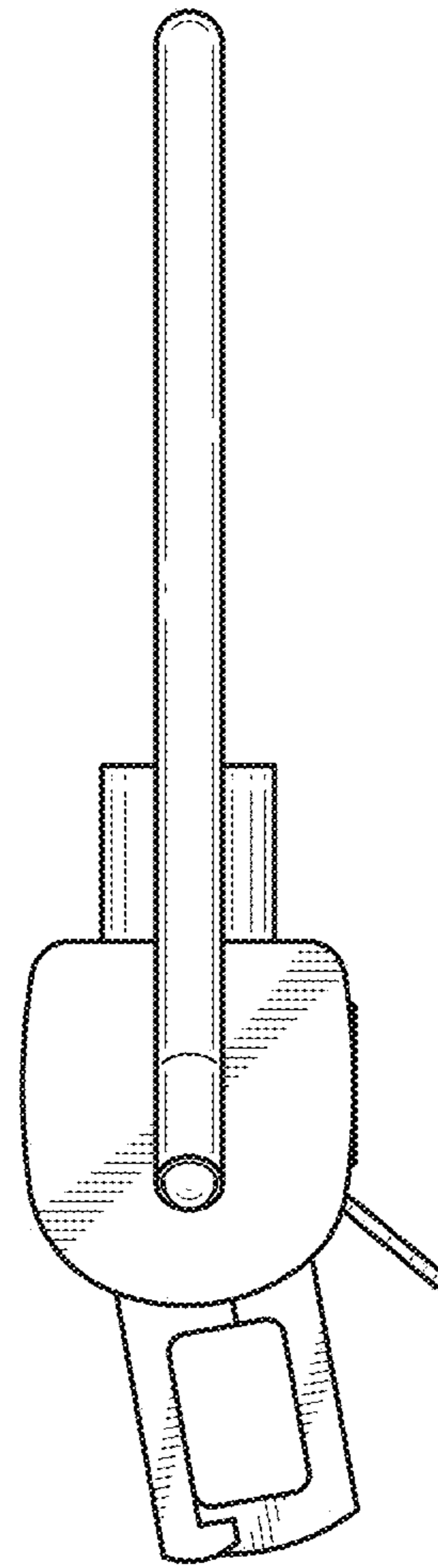


FIG. 6

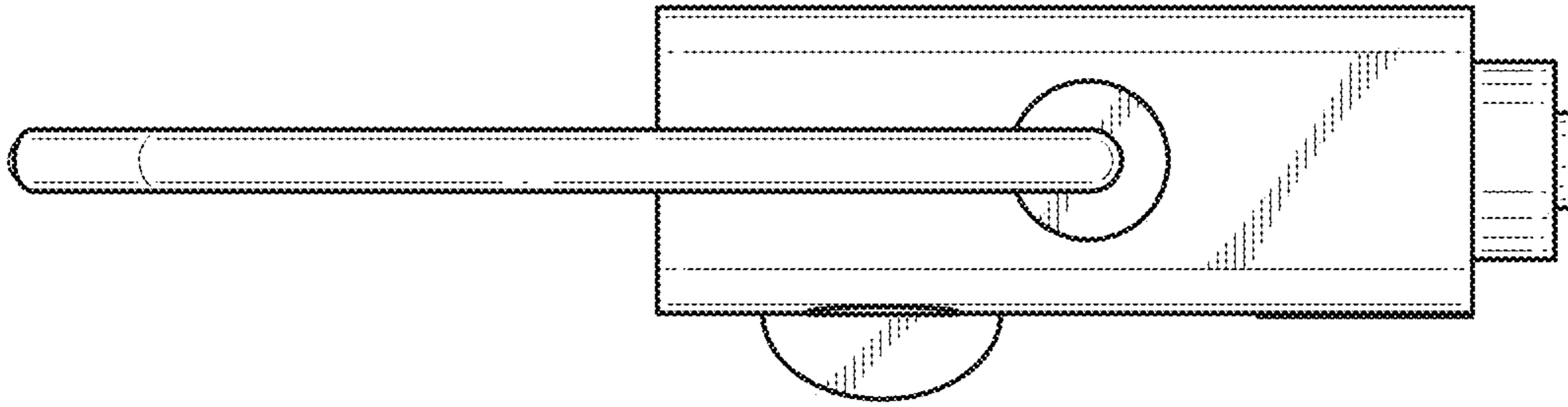


FIG. 7

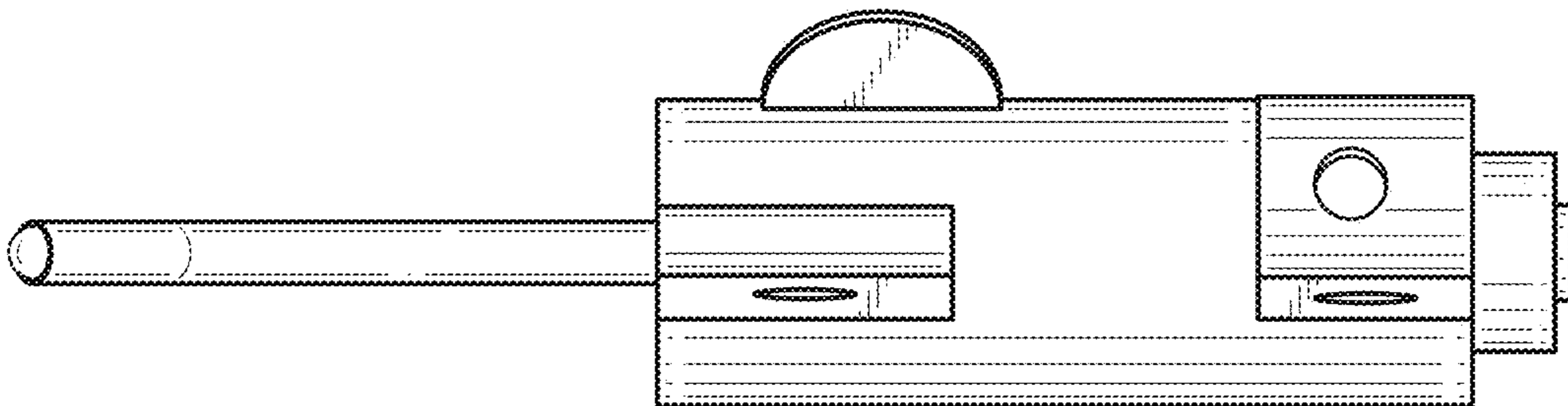


FIG. 8

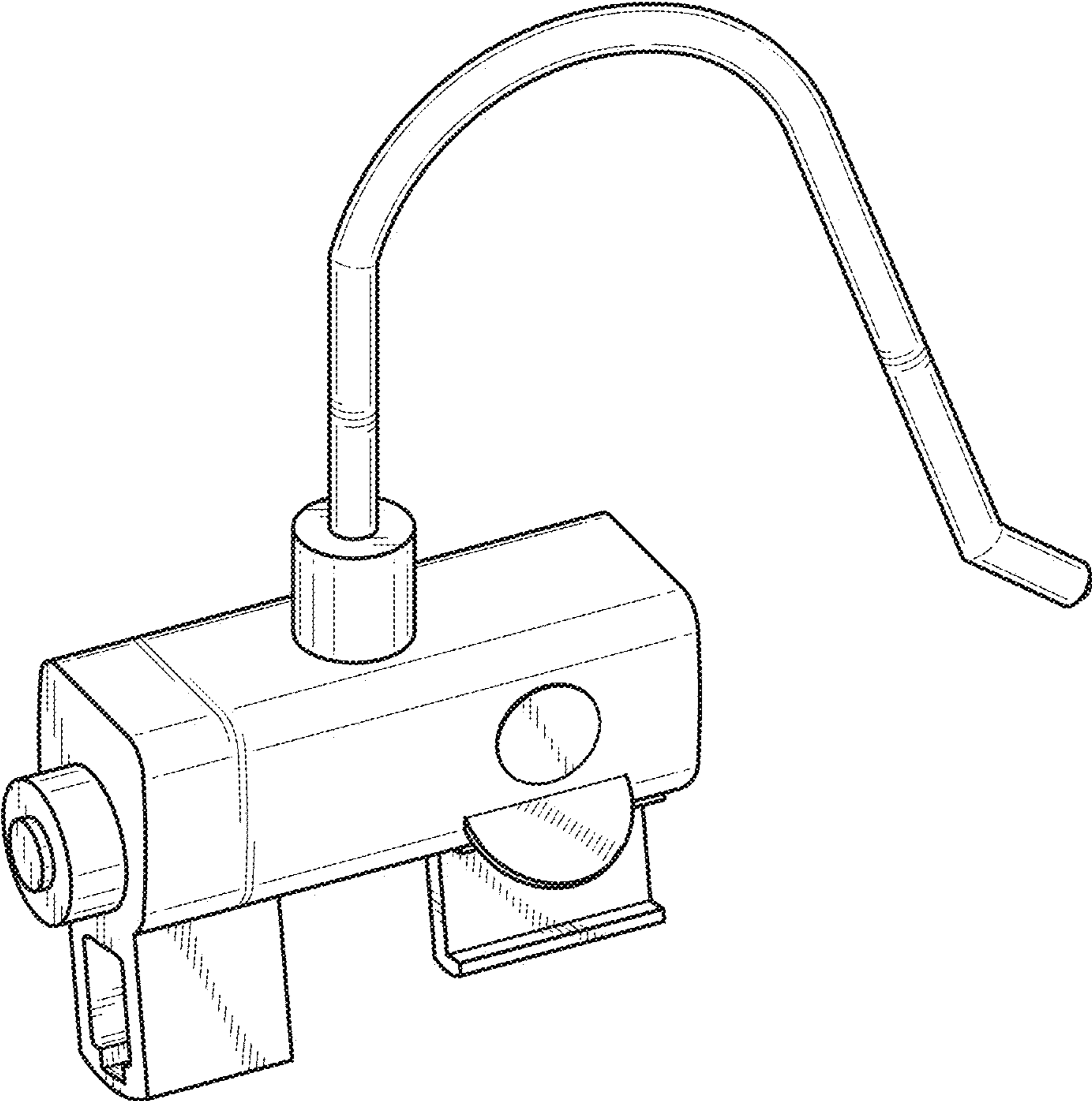


FIG. 9

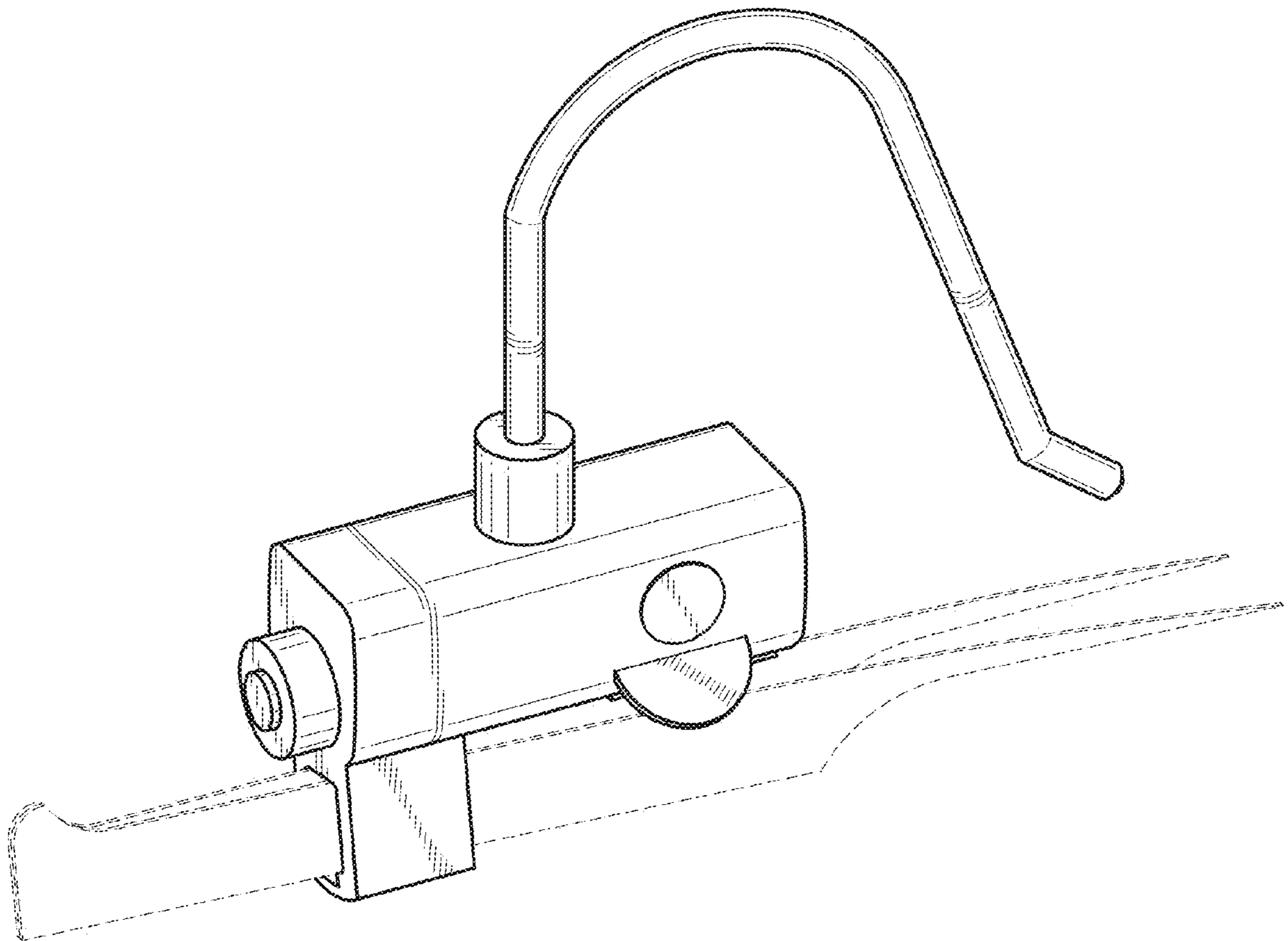


FIG. 10

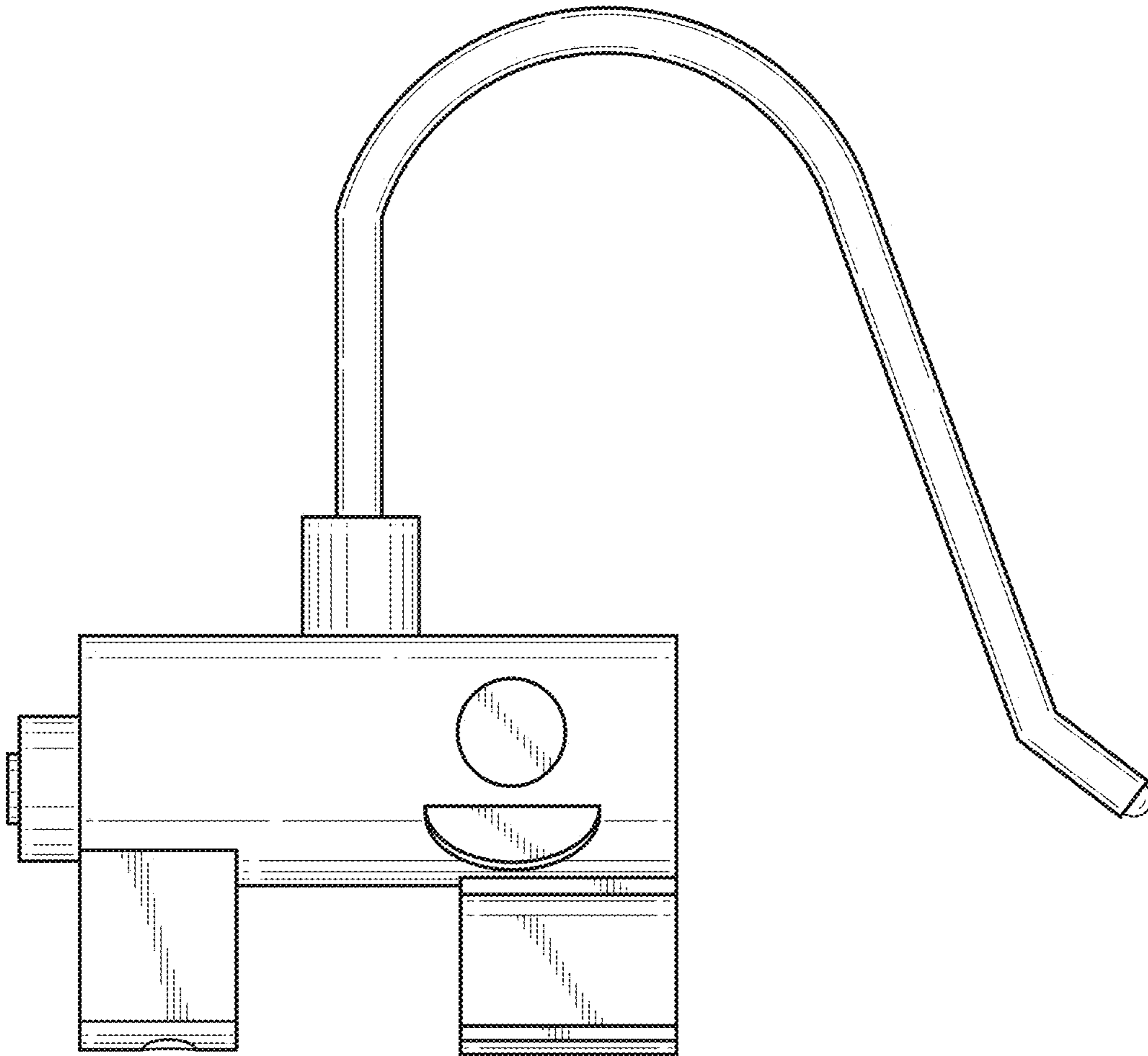


FIG. 11

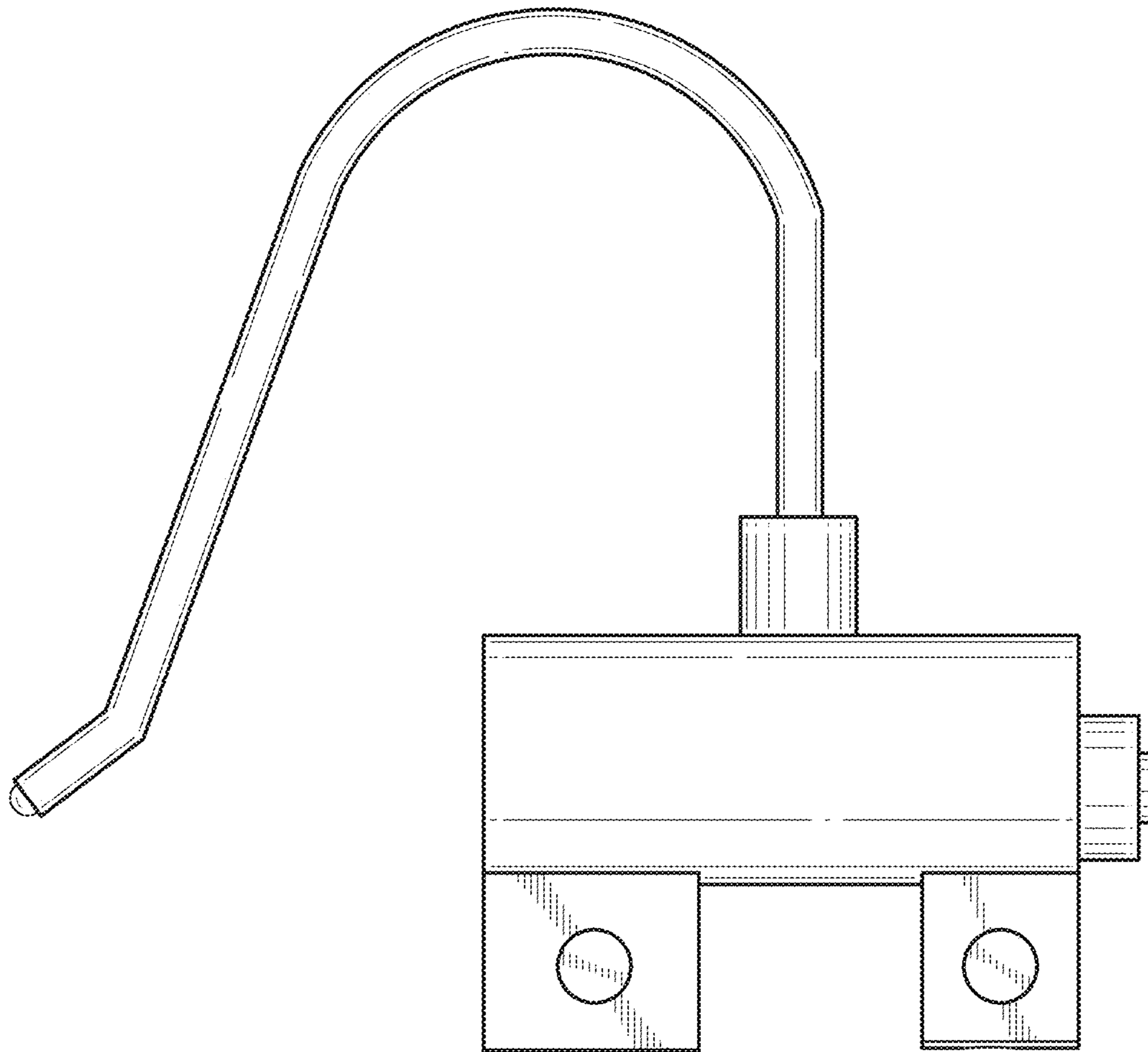


FIG. 12

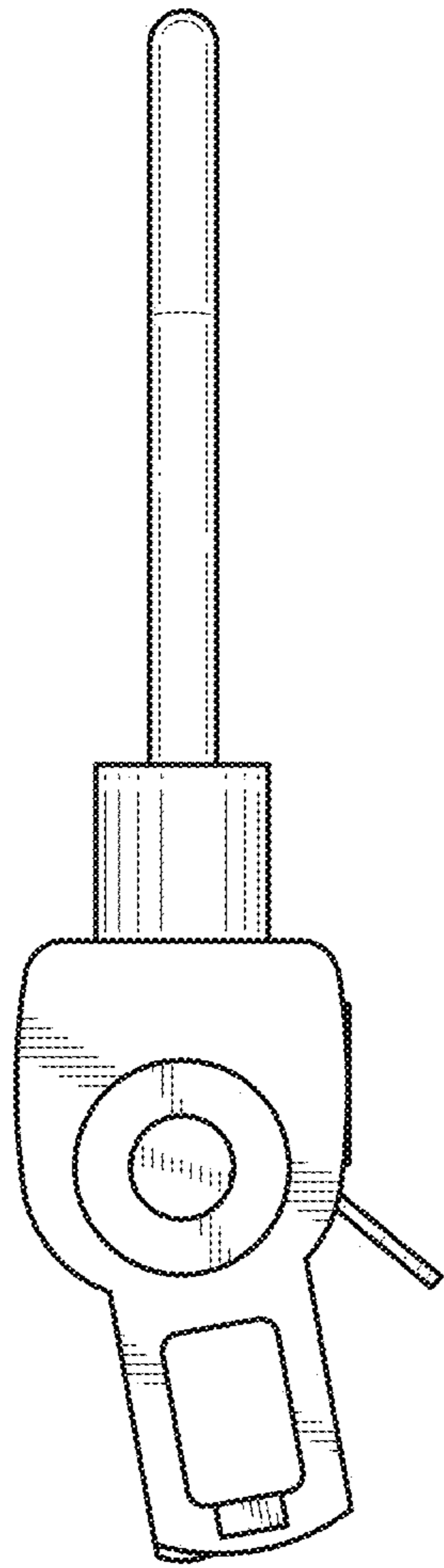


FIG. 13

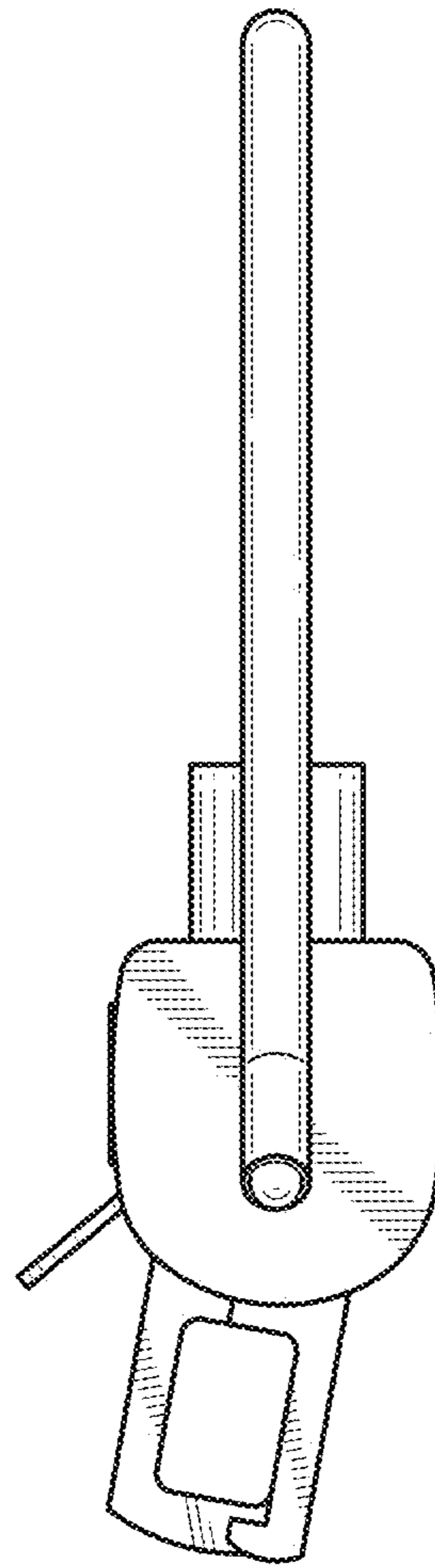


FIG. 14

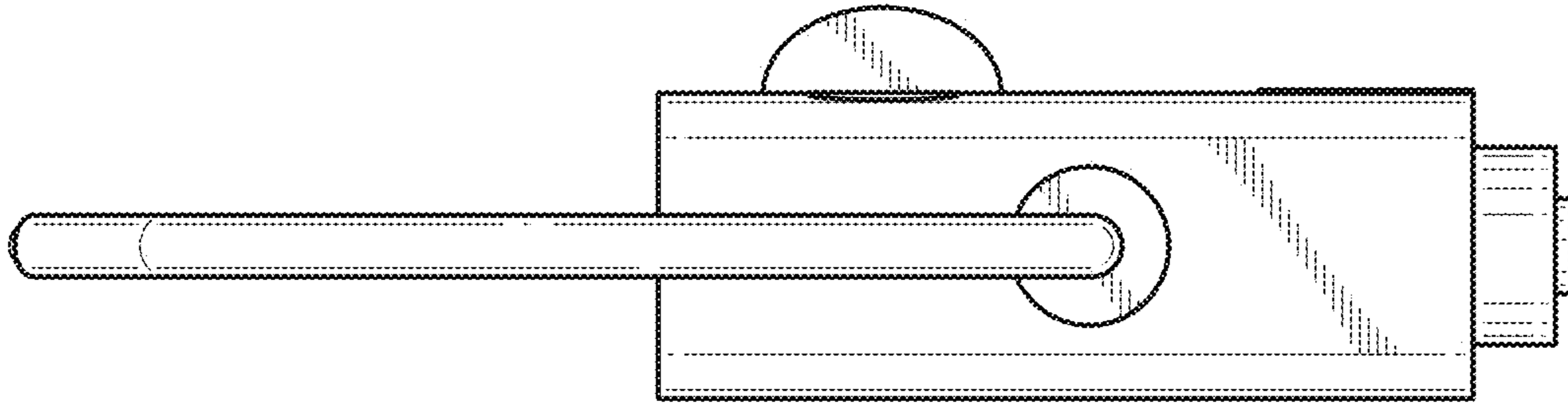


FIG. 15

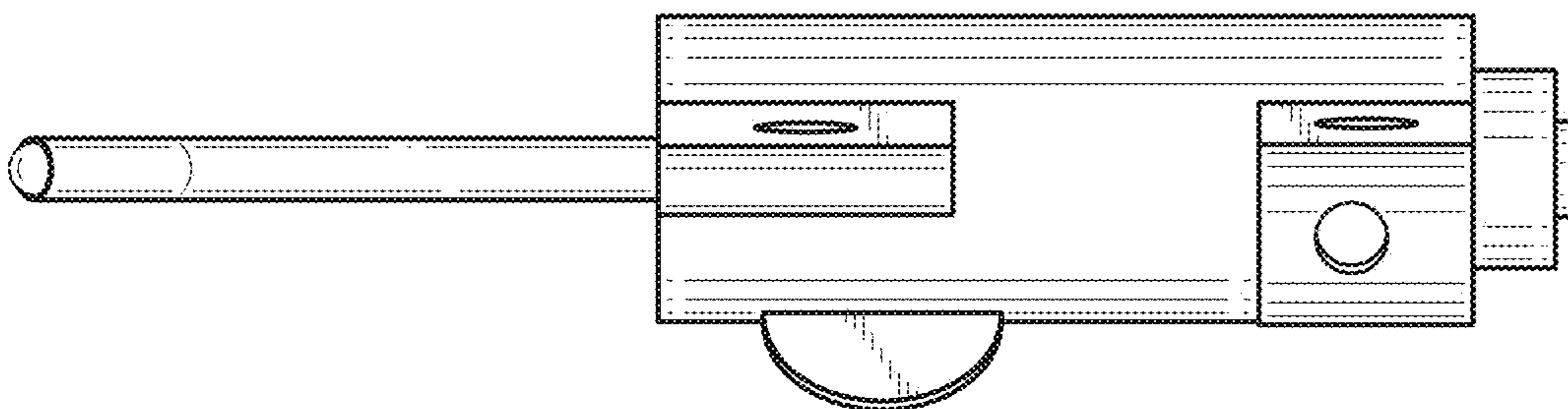


FIG. 16