



US0D1013856S

(12) **United States Design Patent** (10) **Patent No.:** **US D1,013,856 S**
Eiffert (45) **Date of Patent:** **** Feb. 6, 2024**

(54) **CEILING FAN ASSEMBLY**
(71) Applicant: **HUNTER FAN COMPANY,**
Memphis, TN (US)
(72) Inventor: **Ryan Lee Eiffert,** Memphis, TN (US)
(73) Assignee: **Hunter Fan Company,** Memphis, TN (US)
(**) Term: **15 Years**
(21) Appl. No.: **29/785,110**
(22) Filed: **May 24, 2021**
(51) **LOC (14) Cl.** **23-04**
(52) **U.S. Cl.**
USPC **D23/377**
(58) **Field of Classification Search**
USPC D23/370, 377, 379, 385, 411-414;
D26/59
CPC F04D 25/088; F04D 29/38; F04D 29/384;
F04D 29/386; F21V 33/0096
See application file for complete search history.

D810,917 S 2/2018 Holmes
D810,919 S 2/2018 Haggar
D810,920 S 2/2018 Haggar
D818,104 S 5/2018 Holmes et al.
D833,596 S * 11/2018 Schulzman D23/377
D850,603 S * 6/2019 Wang D26/59
(Continued)

OTHER PUBLICATIONS

Hunter Fan, "Perseus Outdoor With LED Light 64 Inch", Item 59167, <https://www.hunterfan.com/products/ceiling-fans-casablanca-perseus-outdoor-with-led-light-64-inch-fan708>, 11 pages, accessed Aug. 11, 2020.

(Continued)

Primary Examiner — Sharon S Oum
(74) *Attorney, Agent, or Firm* — McGarry Bair PC

(57) **CLAIM**

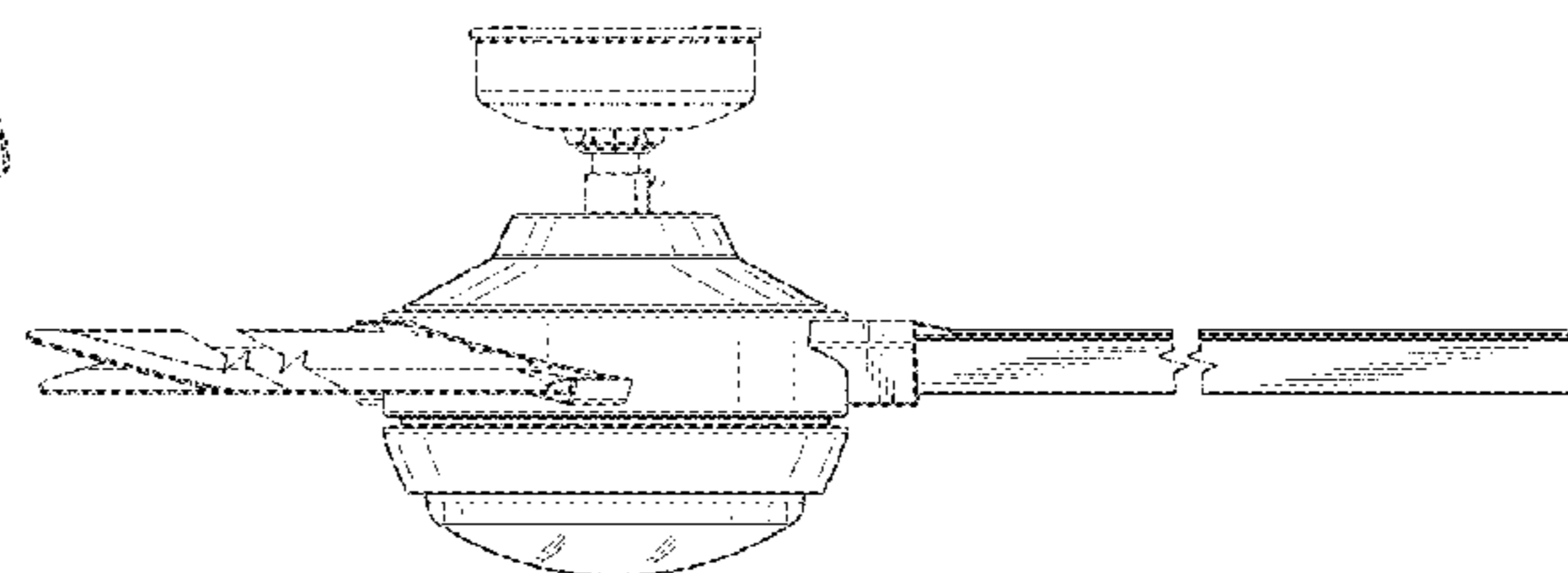
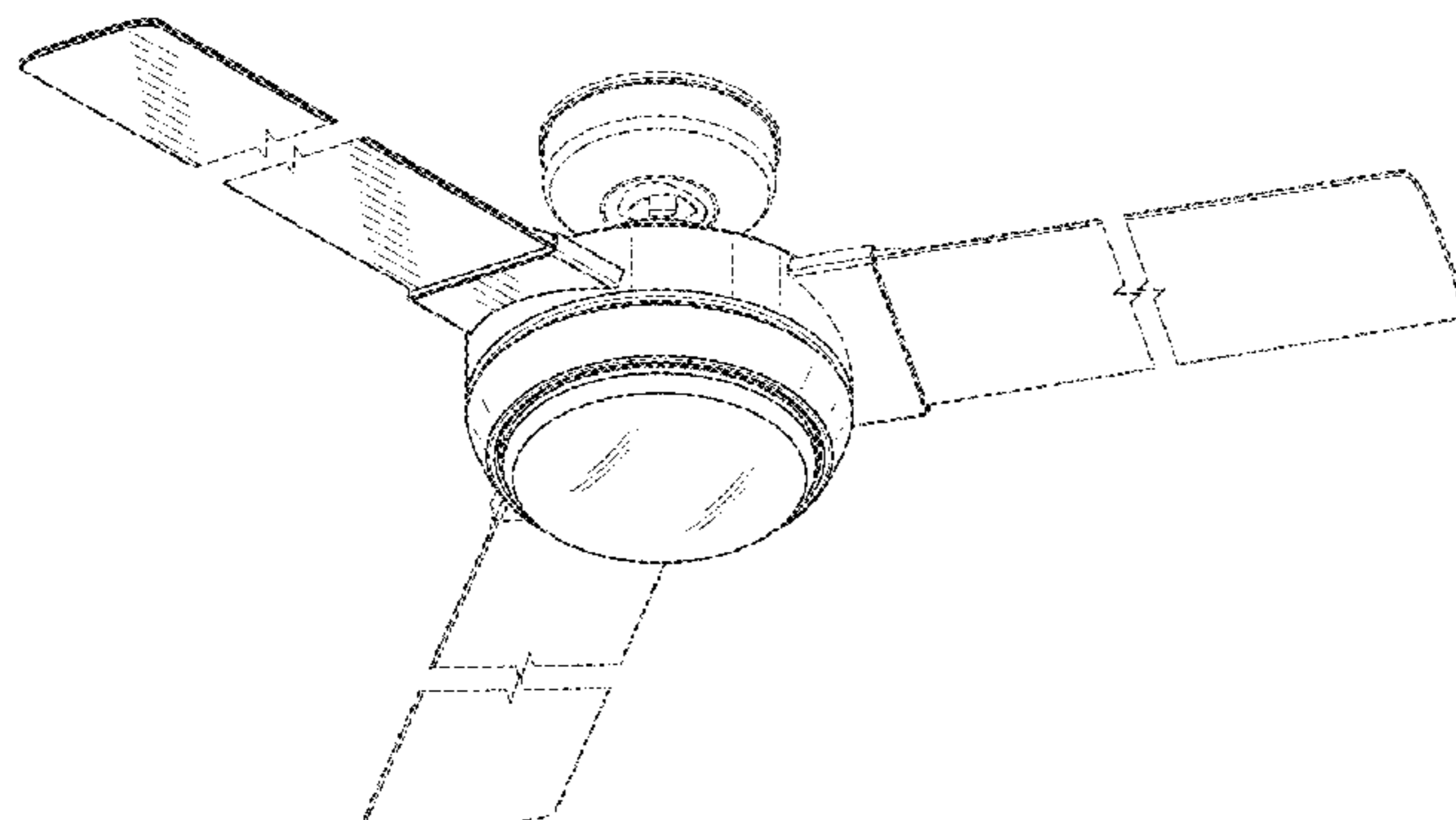
The ornamental design for a ceiling fan assembly, as shown and described.

DESCRIPTION

FIG. 1 is a bottom perspective view of the ceiling fan assembly, showing my new design.
FIG. 2 is a top perspective view thereof;
FIG. 3 is a bottom view thereof;
FIG. 4 is a top view thereof;
FIG. 5 is a front view thereof;
FIG. 6 is a rear view thereof;
FIG. 7 is a right-side view thereof; and,
FIG. 8 is a left-side view thereof.
Portions of the ceiling fan assembly are shown in broken lines which forms no part of the claimed design. The ceiling fan blades are shown with a symbolic break in their length. The appearance of any portion of the ceiling fan blades between the jagged broken lines forms no part of the claimed design.

1 Claim, 8 Drawing Sheets

(56) **References Cited**
U.S. PATENT DOCUMENTS
D323,028 S 1/1992 Holbrook
D346,858 S 5/1994 Lee
D389,908 S 1/1998 Dolan
D396,530 S * 7/1998 Tai D23/385
D576,265 S * 9/2008 Bucher D26/59
D590,489 S * 4/2009 Bucher D26/59
D627,874 S 11/2010 Pan
D628,688 S 12/2010 Pan
D744,629 S * 12/2015 Wang D26/59
D744,633 S 12/2015 Wang
D774,176 S * 12/2016 Wang D23/385
D789,510 S 6/2017 Wang
D795,410 S 8/2017 Holmes
D800,297 S 10/2017 Wang
D800,891 S 10/2017 McRoberts et al.
D803,384 S 11/2017 Wang



(56)

References Cited

U.S. PATENT DOCUMENTS

D873,405 S *	1/2020	McRoberts	D23/377
D877,320 S	3/2020	Pickett		
D877,881 S *	3/2020	Hidalgo	D26/59
D879,936 S *	3/2020	Schulzman	D23/385
D880,680 S	4/2020	Norwood et al.		
D882,059 S	4/2020	McRoberts		
D882,748 S	4/2020	Haggar		
D948,022 S *	4/2022	McRoberts	D23/377
D950,037 S *	4/2022	Holmes Bradley	D23/377
D958,318 S *	7/2022	Webb	D23/377
D961,755 S *	8/2022	Eiffert	D23/377
D965,762 S *	10/2022	Lintner	D23/377
D994,107 S *	8/2023	Lintner	D23/377
2016/0319842 A1 *	11/2016	Botkin	F04D 29/601

OTHER PUBLICATIONS

Craftmade, “Eastwood—EAS60”, <https://www.craftmade.com/eastwood-eas60>, 2 pages, accessed Aug. 11, 2020.

Minka Group, “Java—LED 54" Ceiling Fan”, <https://www.minkagroup.net/f7531-ka.html>, 10 pages, accessed Aug. 11, 2020.

Home Depot, “Burgess 52 in. Indoor Brushed Nickel Flushmount Ceiling Fan with Light Kit”, Model #14935, <https://www.homedepot.com/p/Hampton-Bay-Burgess-52-in-Indoor-Brushed-Nickel-Flushmount-Ceiling-Fan-with-Light-Kit-14935/202790699>, 10 pages, accessed Aug. 11, 2020.

Kichler, “Szepló™ II LED 60" Fan Olde Bronze®”, <https://www.kichler.com/kichler/products/ceiling-fans/indoor-ceiling-fans/60-inch-szeplo-ii-led-fan-oz/>, 8 pages, accessed Aug. 11, 2020.

Kichler, “Starkk™ LED 52" Fan Brushed Nickel”, <https://www.kichler.com/kichler/products/ceiling-fans/indoor-ceiling-fans/52-starkk-led-ceiling-fan-ni/>, 9 pages, accessed Aug. 11, 2020.

Home Depot, “Northport 52 in. Indoor Brushed Nickel Ceiling Fan with Light Kit”, Model #14926, <https://www.homedepot.com/p/Hampton-Bay-Northport-52-in-Indoor-Brushed-Nickel-Ceiling-Fan-with-Light-Kit-14926/202790687>, 10 pages, accessed Aug. 11, 2020.

Kichler, “Trevor II LED 60" Fan Brushed Stainless Steel”, <https://www.kichler.com/kichler/products/ceiling-fans/indoor-ceiling-fans/60-inch-trevor-ii-led-ceiling-fan-bss/>, 8 pages, accessed Aug. 11, 2020.

Hunter Pacific International, “Azure”, <https://www.hunterpacificinternational.com/azure>, 2 pages, accessed Aug. 11, 2020.

Quorum International, “Quest 52" LED Fan—STN”, Item #: 68524-65, https://quoruminternational.com/search_individual_result.asp?current=893303&page=2, 2 pages, accessed Aug. 11, 2020.

Kingoffans, “Winward II Nassau 52””, Model # 55295, <http://www.kingoffans.com/#/products>, 1 page, accessed Aug. 11, 2020.

Hunter Fan, “Hardaway With LED Light 52 Inch”, Item 50707, <https://www.hunterfan.com/products/ceiling-fans-hardaway-with-led-light-52-inch-famd70>, 8 pages, accessed Aug. 11, 2020.

Hunter Fan, “Sonic With Light 52 INCH”, Item 59072, <https://www.hunterfan.com/products/ceiling-fans-sonic-with-light-52-inch-fam332>, 20 pages, accessed Aug. 11, 2020.

Hunter Fan, “Oceana Outdoor With LED Light 52 Inch”, Item 59615, <https://www.hunterfan.com/products/ceiling-fans-oceana-outdoor-with-led-light-52-inch-famc83>, 12 pages, accessed Aug. 11, 2020.

Luminance Brands, “52CNT4ORB-ES-LED 52 In LED Centurion 4 Blade Fan”, 4 pages, accessed Aug. 11, 2020.

Minka Group, “Lun—Aire—LED 54 " Ceiling Fan”, <https://www.minkagroup.net/f5341-orb.html>, 10 pages, accessed Aug. 11, 2020.

Luminance Brands, 52 In Skylark 3 Blade Fan (With Pull Chains), <https://www.luminancebrands.com/fans/52sky3esn-pchn.html>, 4 pages, accessed Aug. 11, 2020.

Luminance Brands, “Emerson 60 In Rah Eco Ceiling Fan”, <https://www.luminancebrands.com/fans/cf915tm60grt.html>, 4 pages, accessed Aug. 11, 2020.

Craftmade, “Cronus—CRO52”, <https://www.craftmade.com/cronus-cro52>, 2 pages, accessed Aug. 11, 2020.

Lowe's, Harbor Breeze Beach Creek 52-in Brushed Nickel LED Indoor Ceiling Fan with Light Kit and Remote (3- Blade), Item #883810, <https://www.lowes.com/pd/Harbor-Breeze-Beach-Creek-52-in-Brushed-Nickel-LED-Indoor-Ceiling-Fan-with-Light-Kit-and-Remote-3-Blade/1000604225>, 5 pages, accessed Aug. 11, 2020.

Luminance Brands, “Emerson Geode Ceiling Fan” <https://www.luminancebrands.com/fans/cf370pn.html>, 4 pages, accessed Aug. 11, 2020.

Craftmade, “Phaze 5 Blade—PHA52XX5”, <https://www.craftmade.com/phaze-5-blade-pha52xx5>, 2 pages, accessed Aug. 11, 2020.

Craftmade, “Laval 52—LAV52”, <https://www.craftmade.com/laval-52-lav52>, 2 pages, accessed Aug. 11, 2020.

Minka Group, “Airetor-LED 52 " Ceiling Fan”, <https://www.minkagroup.net/f6731-orb.html>, 8 pages, accessed Aug. 11, 2020.

Modern Fan Company, “Gusto 50”, <https://modernfan.com/fan/gusto/#lighting>, 2 pages, accessed Aug. 11, 2020.

Monte Carlo, “64" Avvo Max—Matte White”, Product #: 3AVMR64RZWD, www.montecarlofans.com/53864/64-Avvo-Max---Matte-White-3AVMR64RZWD.html, 2 pages, accessed Aug. 11, 2020.

Home Depot, “Etris 52 in. LED Indoor Brushed Nickel Ceiling Fan with Light Kit and Remote Control”, Model #YG327B-BN, <https://www.homedepot.com/p/Hampton-Bay-Etris-52-in-LED-Indoor-Brushed-Nickel-Ceiling-Fan-with-Light-Kit-and-Remote-Control-YG327B-BN/206%E2%80%A6>, 10 pages, accessed Aug. 11, 2020.

Fanimation, “Hugh 52 (220V)”, SKU: FPS8355-220, <https://fanimation.com/products/220volt/220-volt-fans/hugh-52-220v/>, 5 pages, accessed Aug. 11, 2020.

Fanimation, “Xeno Wet (220V)”, <https://fanimation.com/products/220volt/220-volt-fans/xeno-wet-220v/>, 6 pages, accessed Aug. 11, 2021.

Craftmade, “Montreal—MN44-LED”, <https://www.craftmade.com/montreal-mn44-led>, 2 pages, accessed Aug. 11, 2021.

Hunter Fan, “Leti with LED Light 54 inch”, <https://www.hunterfan.com/products/ceiling-fans-leti-with-led-light-54-inch-famd71>, 6 pages, accessed Aug. 11, 2020.

* cited by examiner

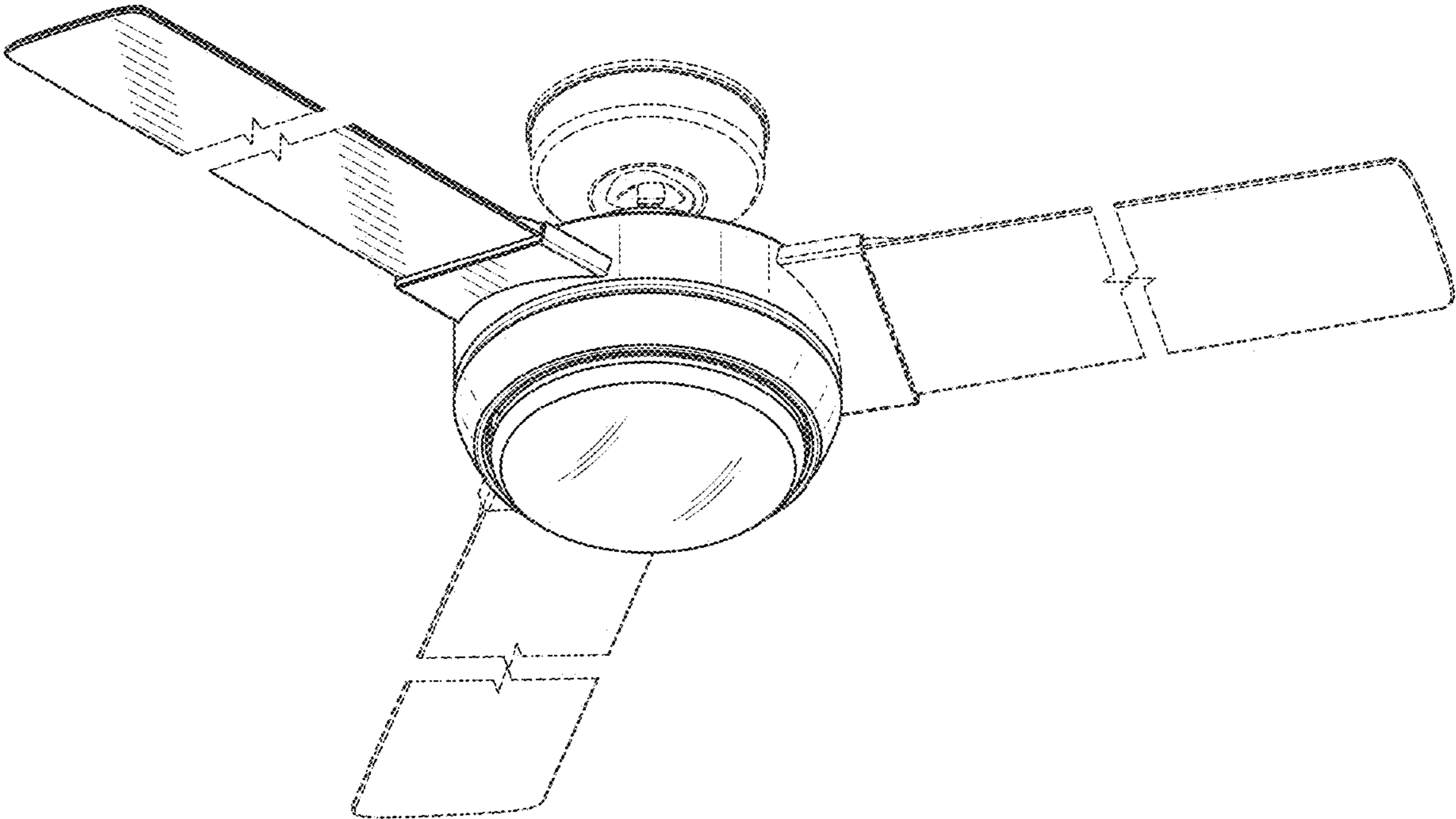


FIG. 1

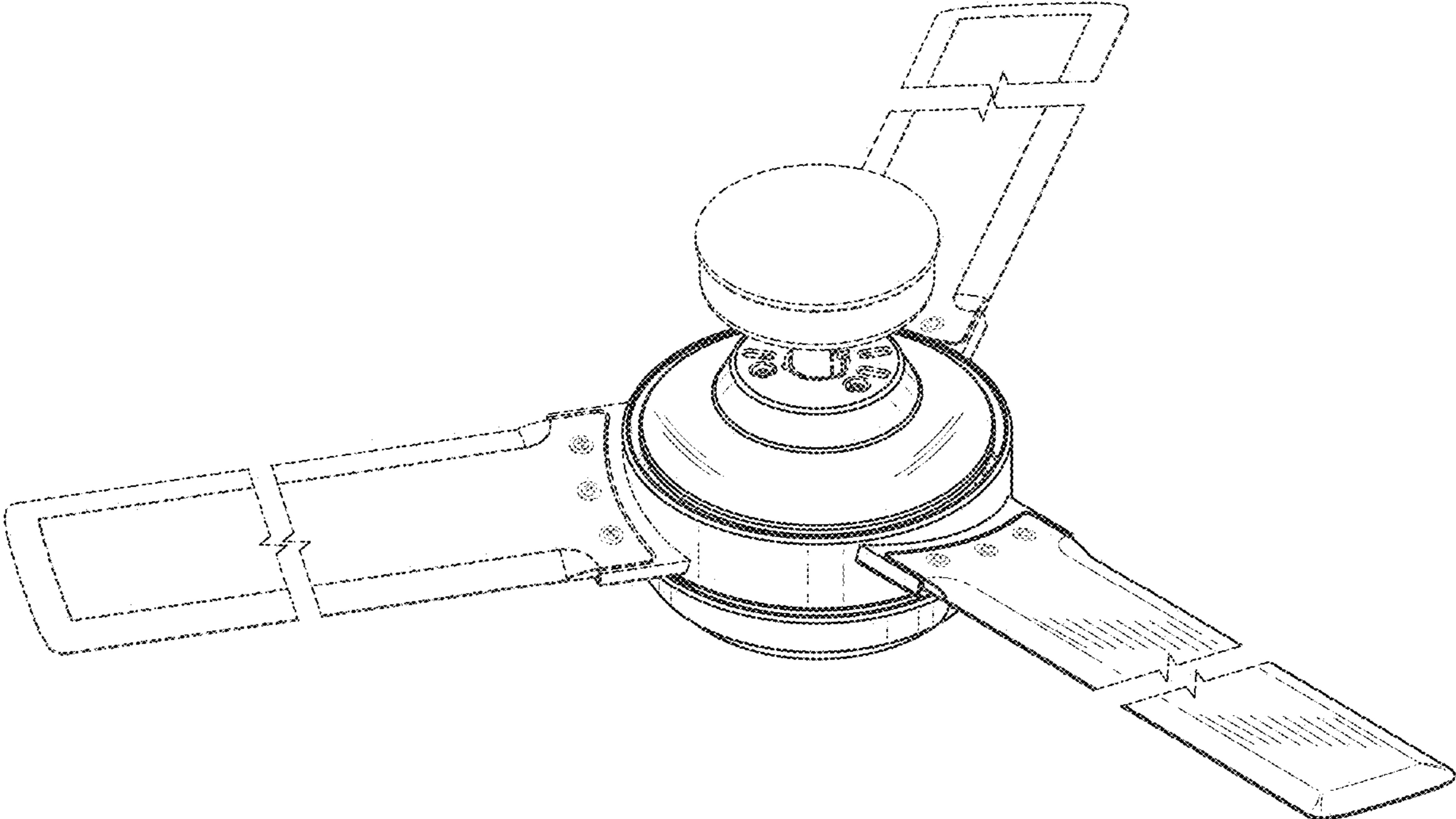


FIG. 2

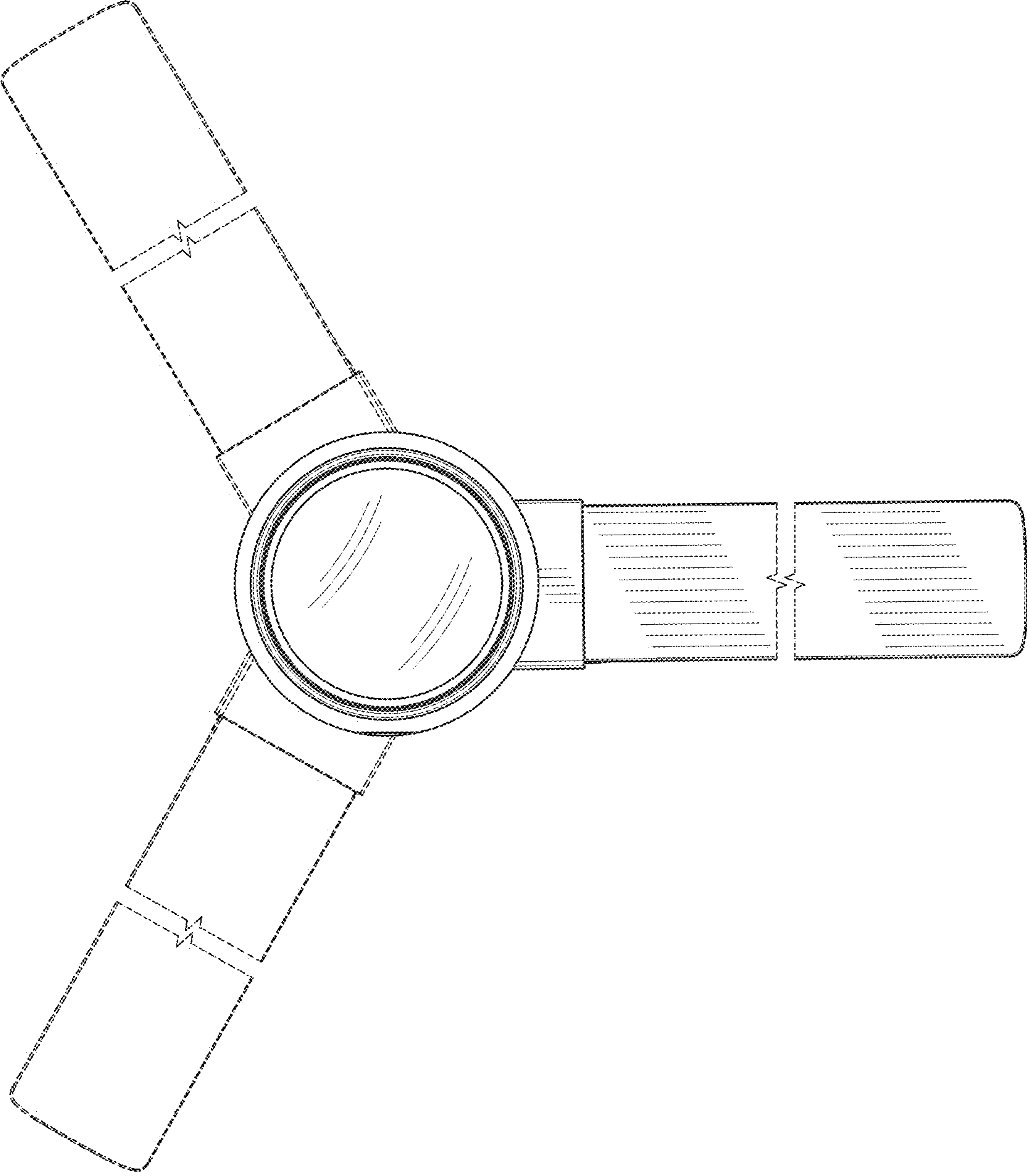


FIG. 3

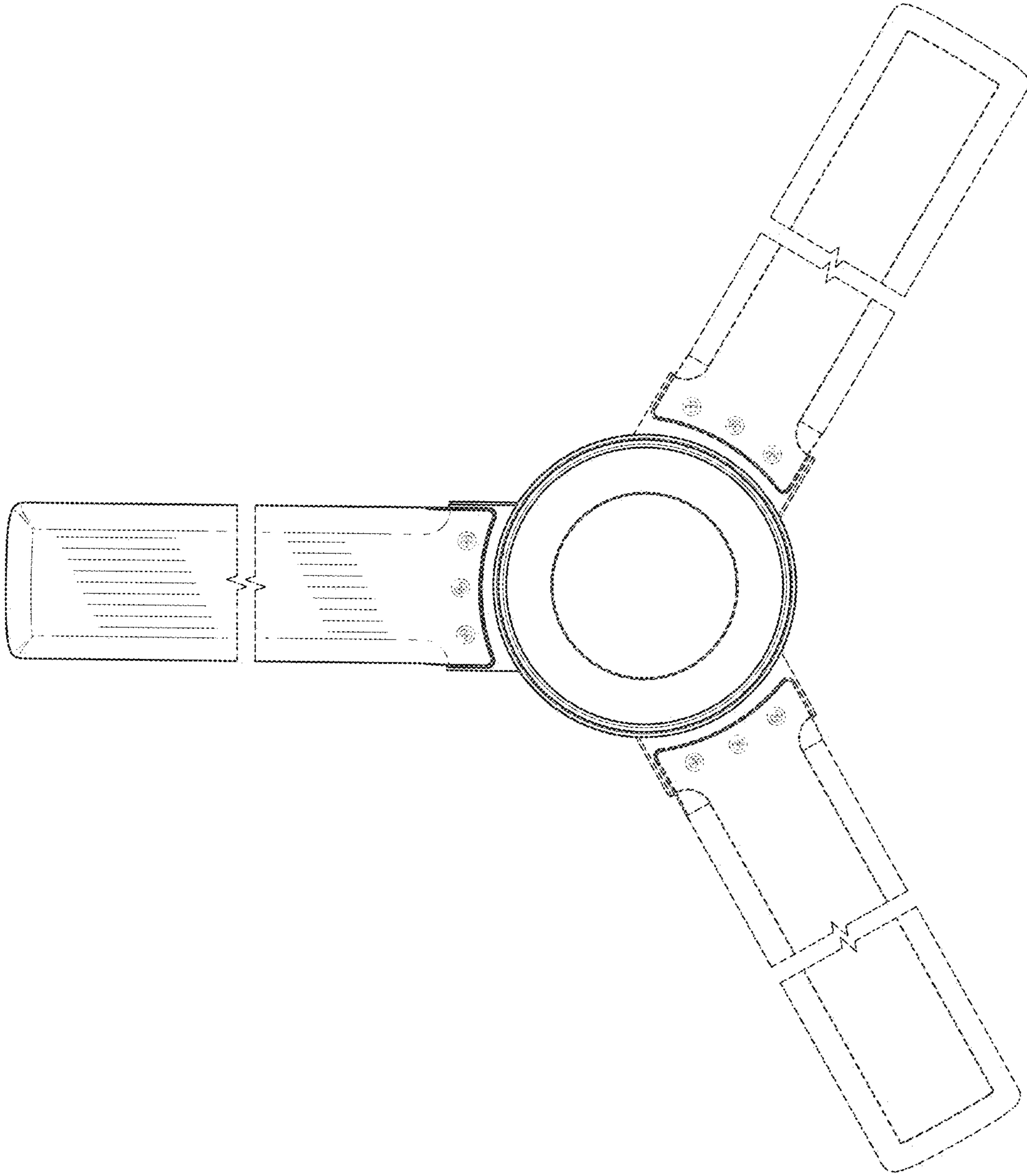


FIG. 4

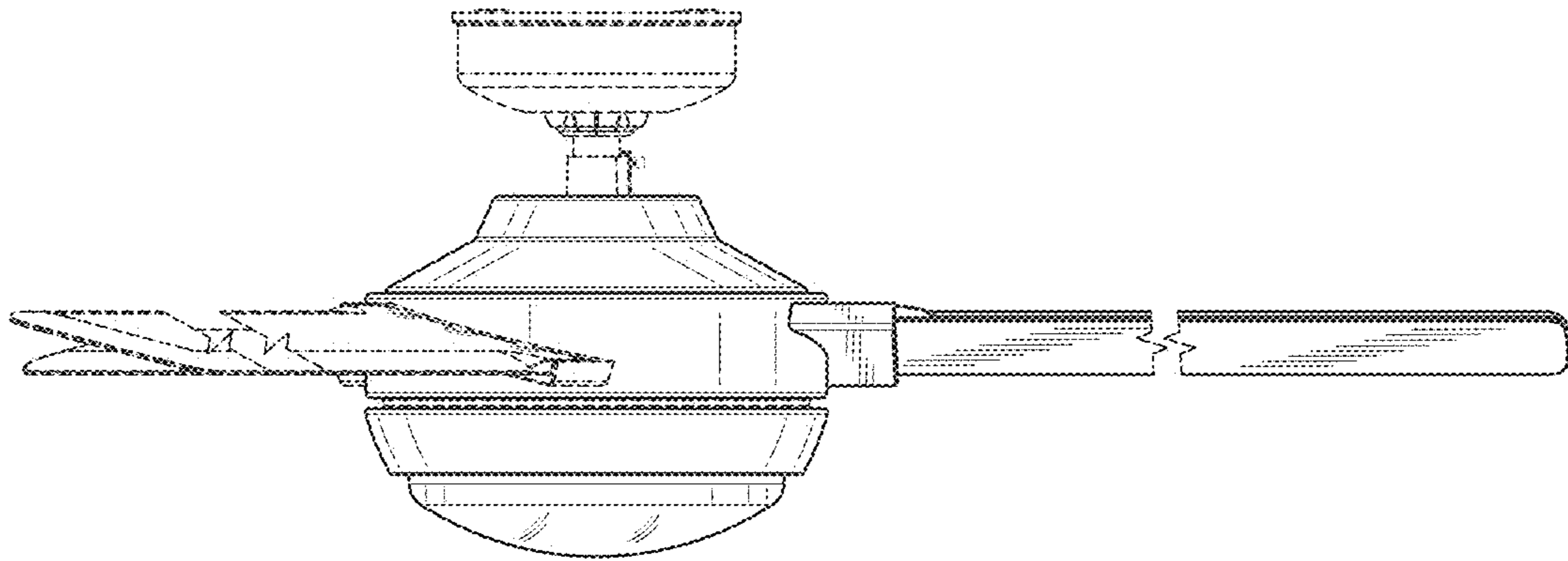


FIG. 5

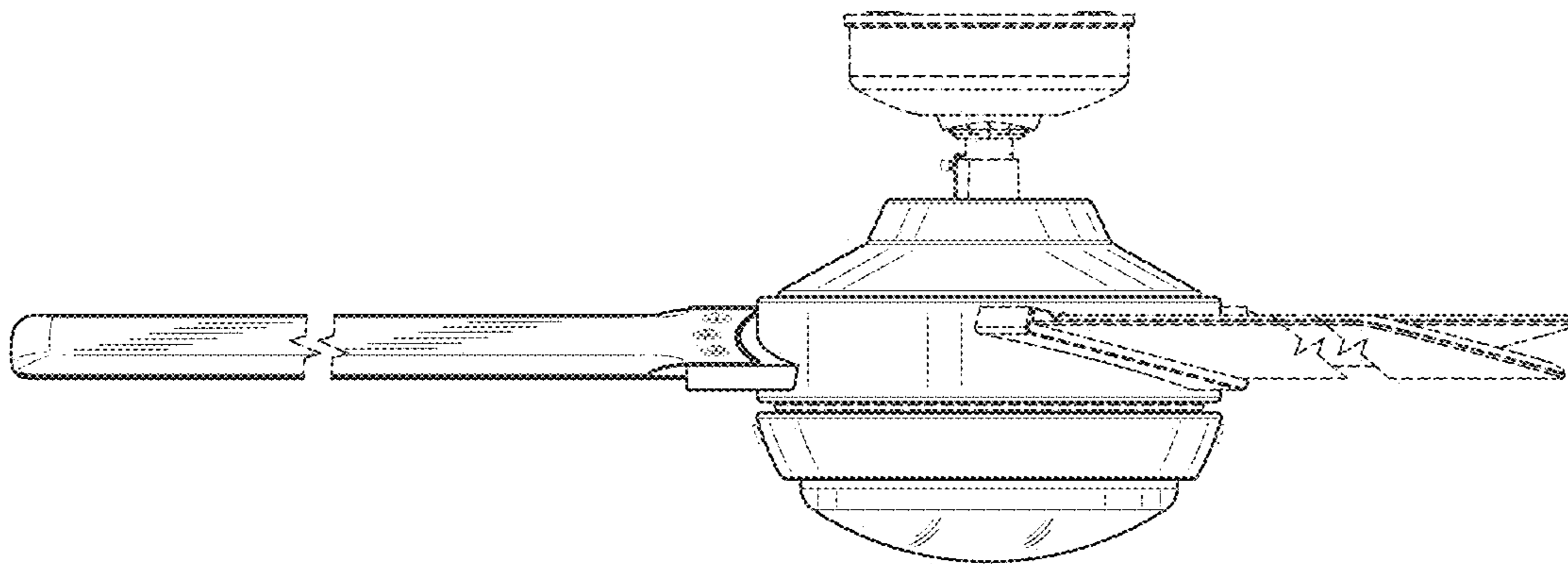


FIG. 6

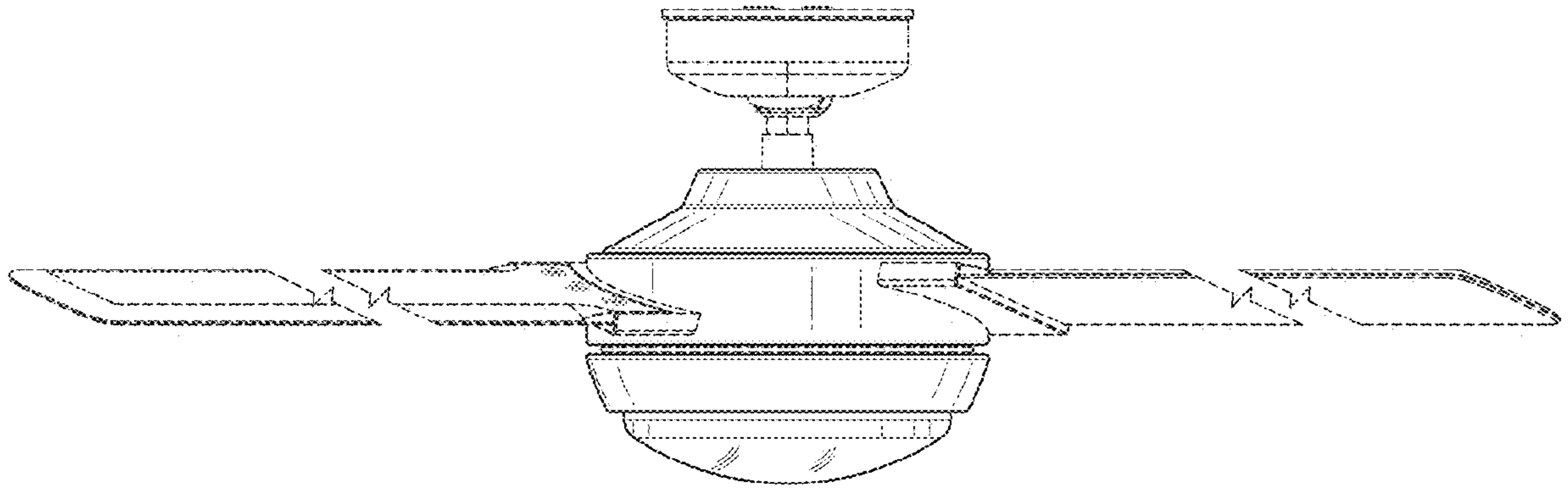


FIG. 7

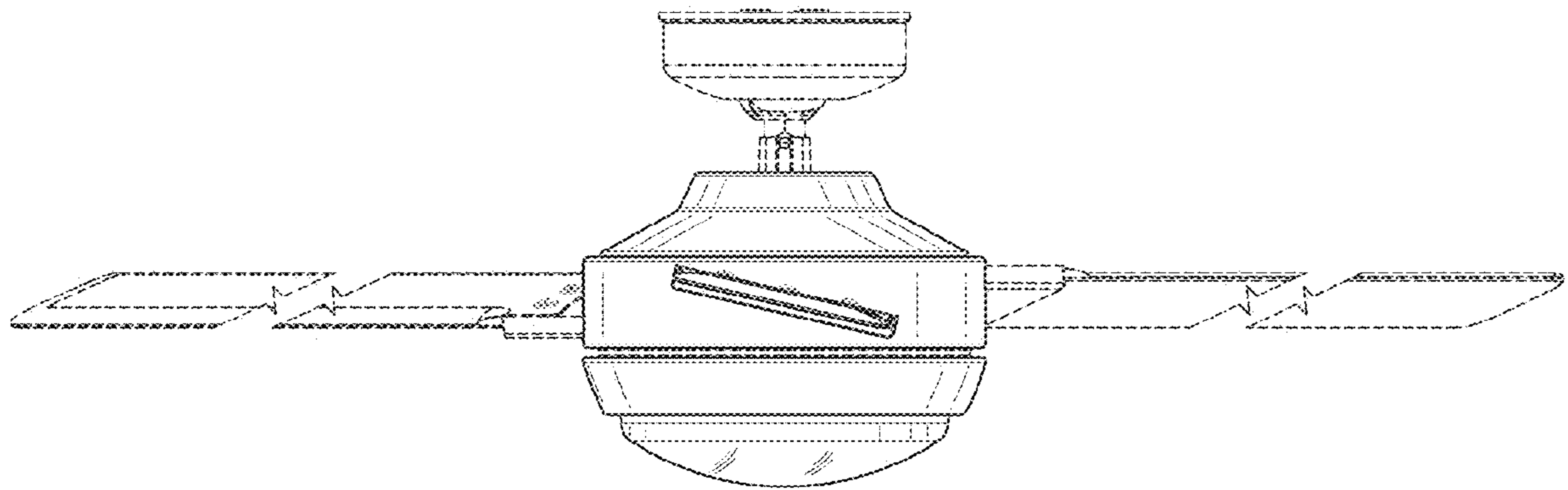


FIG. 8