



US0D1013828S

(12) **United States Design Patent** (10) **Patent No.:** **US D1,013,828 S**
Porter et al. (45) **Date of Patent:** **** Feb. 6, 2024**

(54) **DESALINATION POD**
(71) Applicant: **Natural Ocean Well Co.**, Culver City, CA (US)
(72) Inventors: **Michael M. Porter**, Culver City, CA (US); **Robert A. Bergstrom**, Culver City, CA (US)
(73) Assignee: **Natural Ocean Well Co.**, Culver City, CA (US)

D747,439 S * 1/2016 Byers D23/208
D758,528 S * 6/2016 Ruprecht D23/209
10,935,474 B1 * 3/2021 Moujдин B01D 61/28
D930,786 S * 9/2021 Huang D23/207
D973,177 S * 12/2022 Bergstrom D23/209
11,529,586 B2 * 12/2022 Bergstrom B01D 61/08
2020/0391158 A1 * 12/2020 Manz B01D 61/06
2021/0220775 A1 * 7/2021 Tayebi B01D 61/12
2021/0252439 A1 * 8/2021 Katayama C02F 1/004
2022/0250951 A1 * 8/2022 Bergstrom B01D 61/04

(Continued)

(**) Term: **15 Years**

FOREIGN PATENT DOCUMENTS

IL 68869 * 4/2023

(21) Appl. No.: **29/818,874**

OTHER PUBLICATIONS

(22) Filed: **Dec. 10, 2021**

Desalination Pod. [Online]. oceanwellwater.com 2023. [Retrieved on Jul. 12, 2023]. Retrieved from the Internet: <URL:https://www.oceanwellwater.com/> (Year: 2023).*

(51) **LOC (14) Cl.** **23-01**

(52) **U.S. Cl.**
USPC **D23/207**; D23/209

(58) **Field of Classification Search**
USPC D23/206–209, 213–214
CPC B01D 39/00; B01D 39/12; B01D 43/00;
B01D 61/025; B01D 61/026; B01D 61/04; B01D 61/08; C02F 1/441; B01L 2300/0681; E03C 1/12; E03B 11/08; F24F 13/22

Primary Examiner — Janice Hallmark
Assistant Examiner — Adedoyin Taiwo Odeyale
(74) *Attorney, Agent, or Firm* — Patterson Thuent, P.A.

See application file for complete search history.

(57) **CLAIM**

We claim the ornamental design for a desalination pod, as shown and described.

(56) **References Cited**

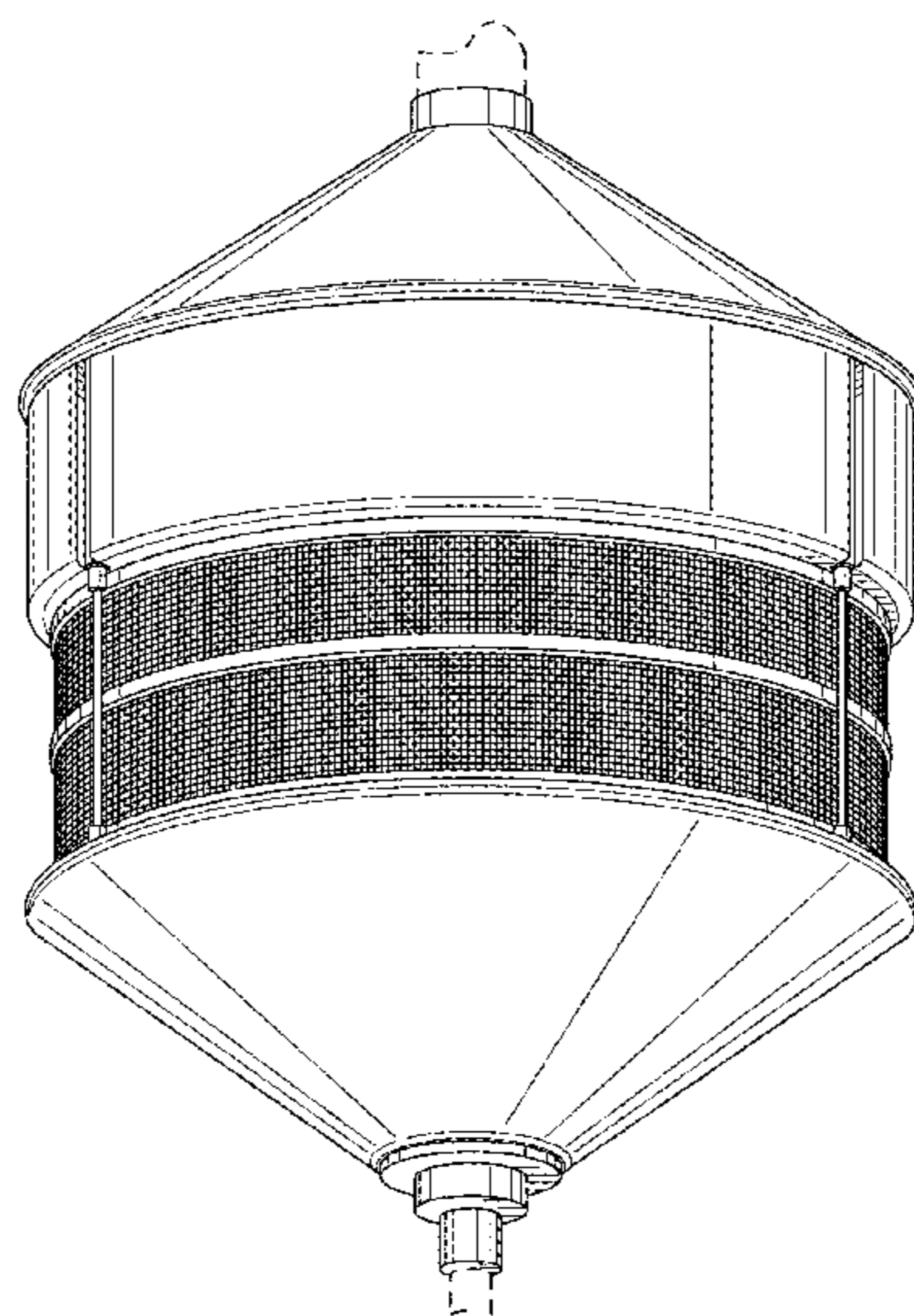
DESCRIPTION

U.S. PATENT DOCUMENTS

3,954,625 A * 5/1976 Michalski B29C 66/30223
D23/209
4,079,002 A * 3/1978 Iannicelli B01D 43/00
210/695
4,144,171 A * 3/1979 Krause B01J 20/28004
210/502.1
4,148,732 A * 4/1979 Burrow A61M 16/1055
210/232
4,220,553 A * 9/1980 Krause B01J 20/2803
96/135
D361,622 S * 8/1995 Farley D23/209
D555,226 S * 11/2007 Leavitt D23/209

FIG. 1 is a perspective view of a desalination pod showing the claimed design;
FIG. 2 is a front view thereof;
FIG. 3 is a right side view thereof;
FIG. 4 is a left side view thereof;
FIG. 5 is a rear view thereof;
FIG. 6 is a top view thereof; and,
FIG. 7 is a bottom view thereof.
The broken lines in the drawings illustrate portions of the desalination pod that form no part of the claimed design.

1 Claim, 7 Drawing Sheets



(56)

References Cited

U.S. PATENT DOCUMENTS

2022/0314169 A1* 10/2022 Manz B01D 63/16
2023/0139619 A1* 5/2023 Ling B01L 3/502761
422/535
2023/0143172 A1* 5/2023 Tayebi B01D 61/06
210/170.11

* cited by examiner

FIG. 1

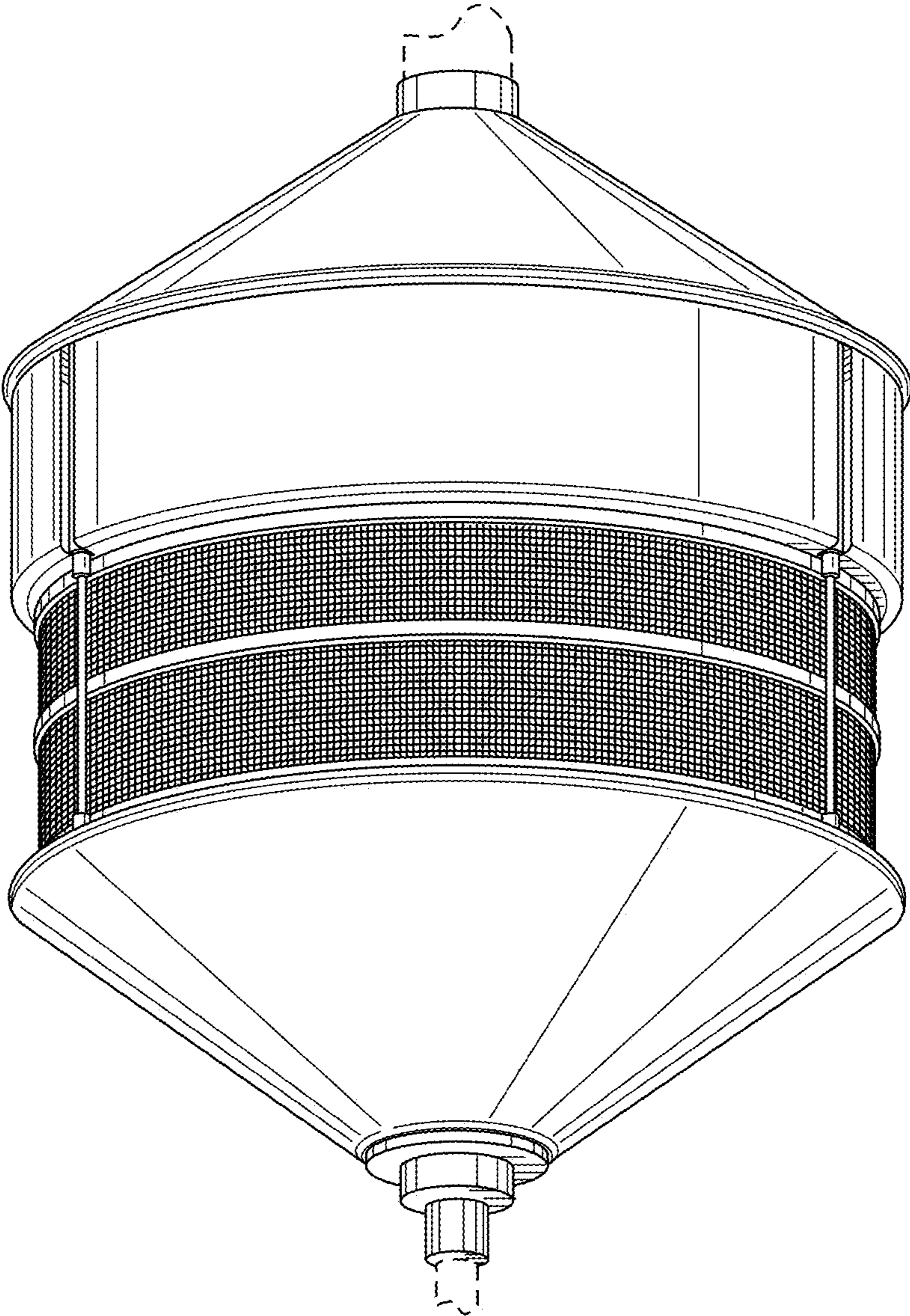


FIG. 2

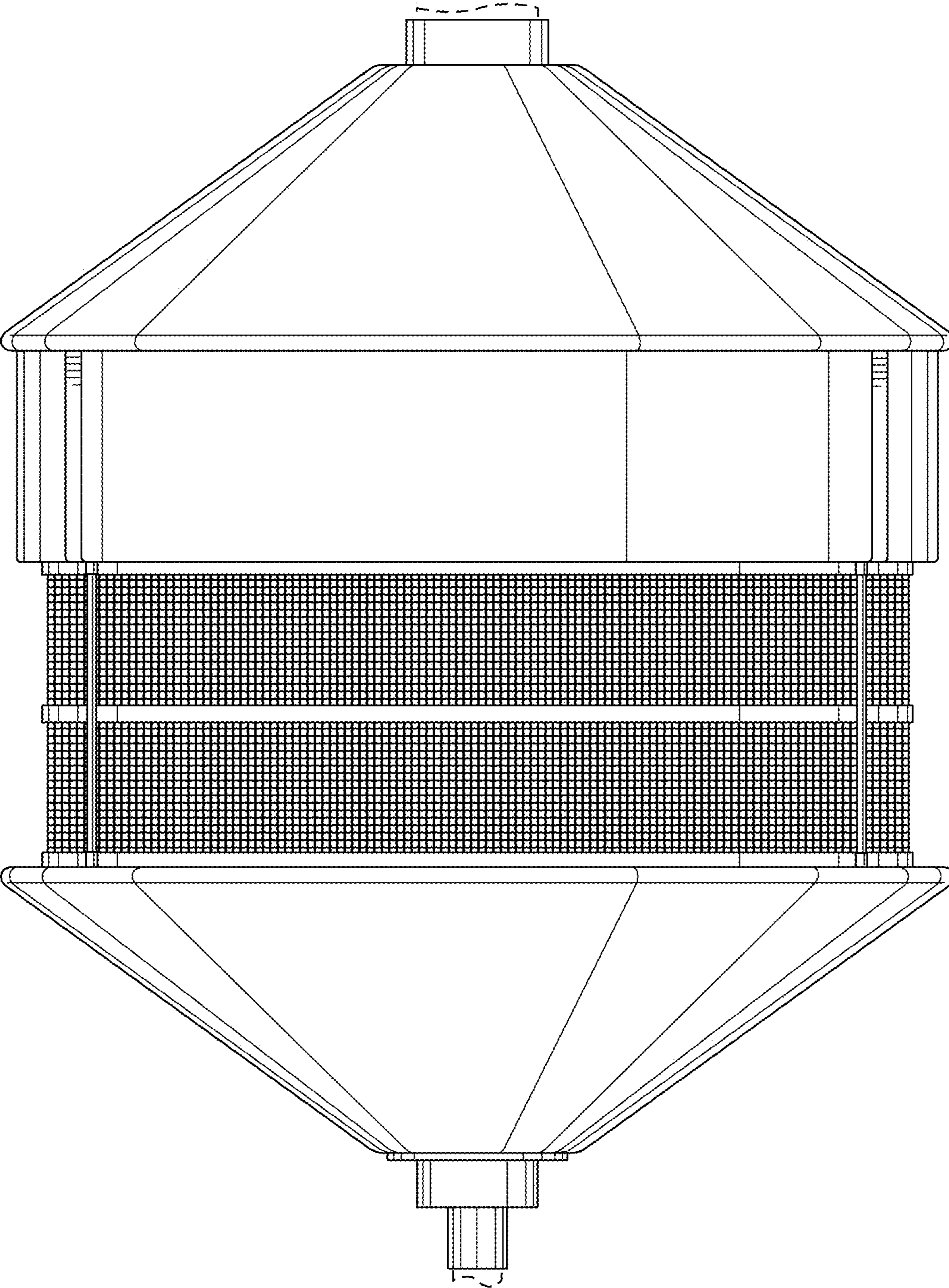


FIG. 3

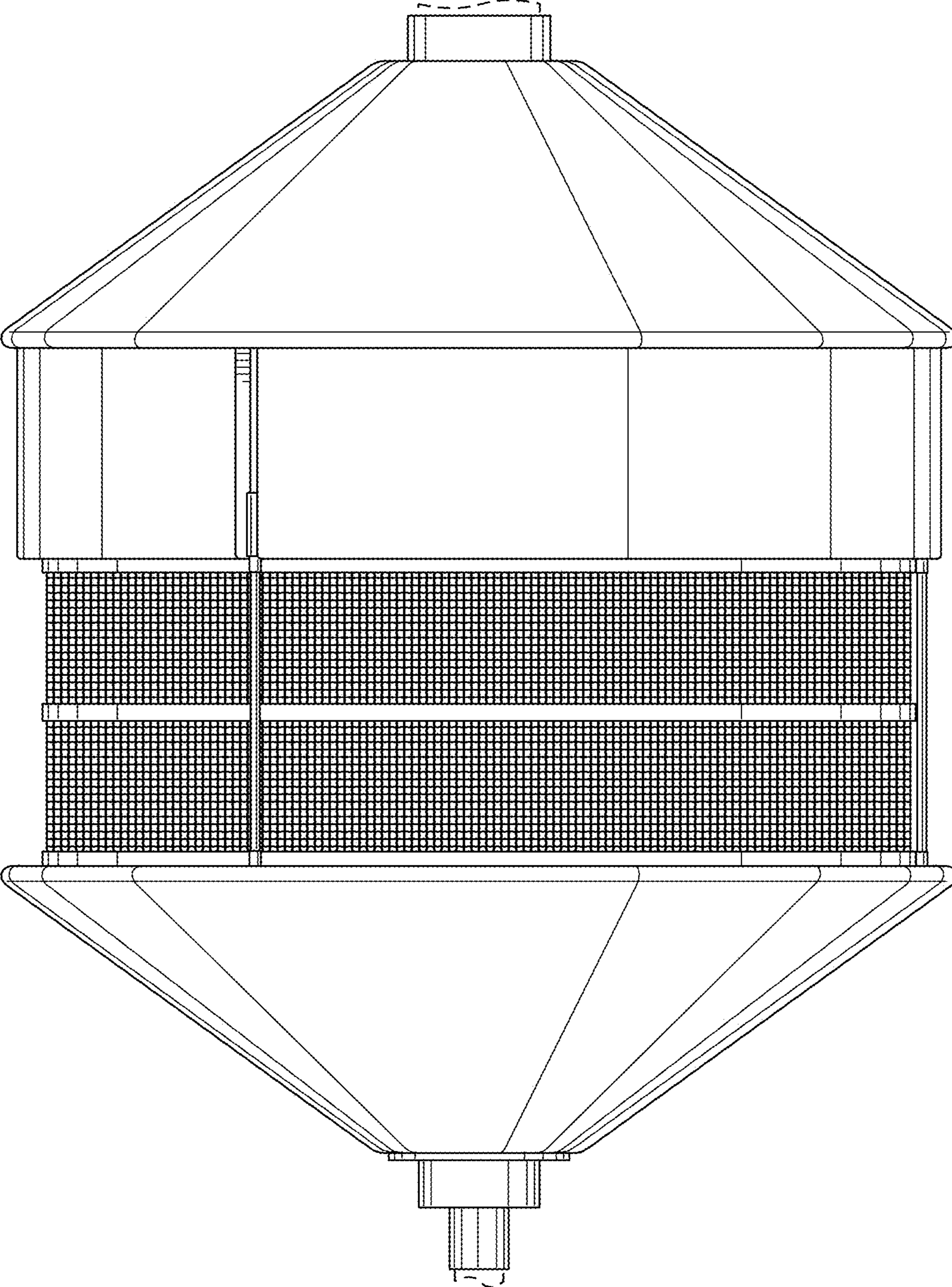


FIG. 4

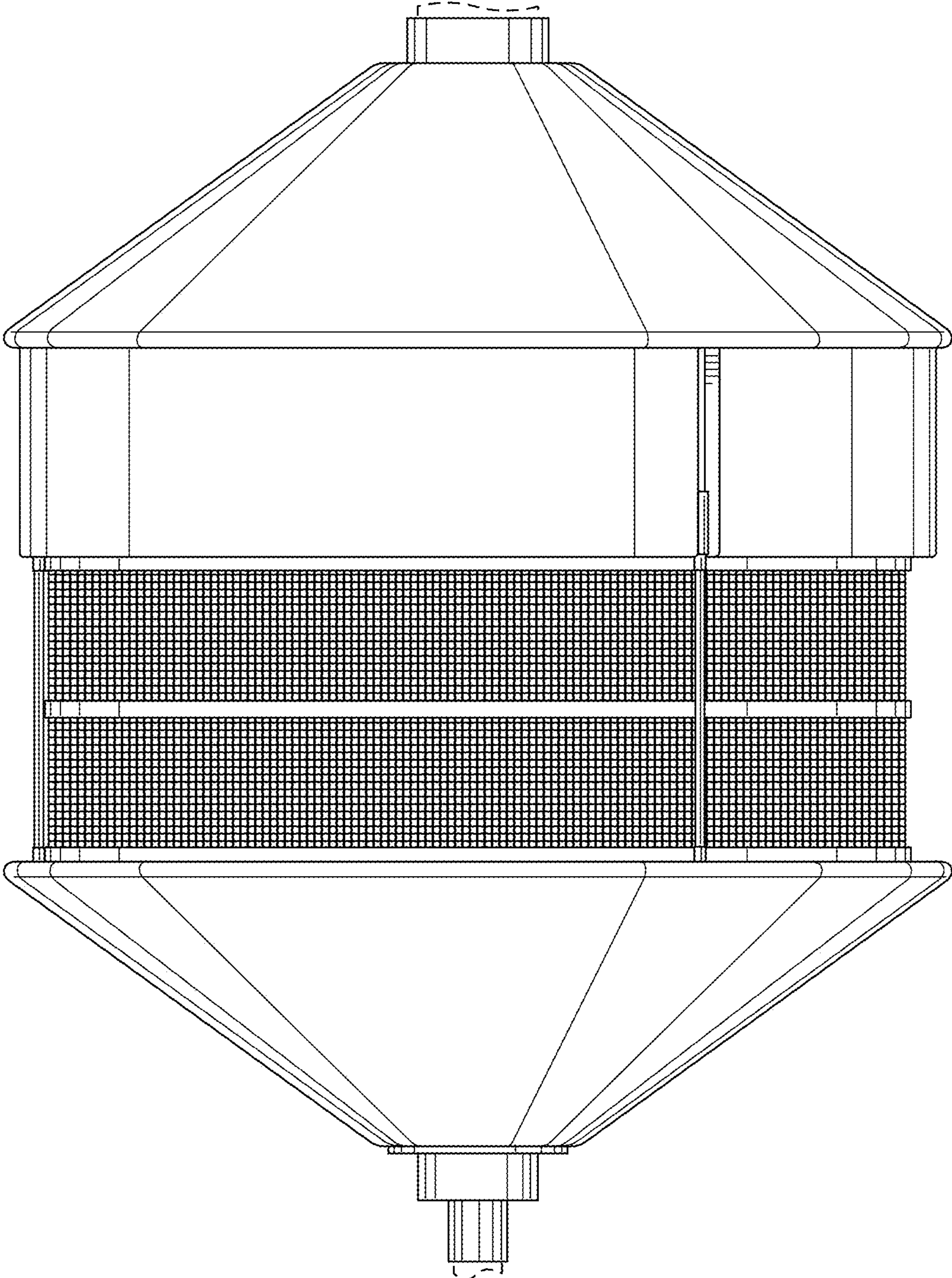


FIG. 5

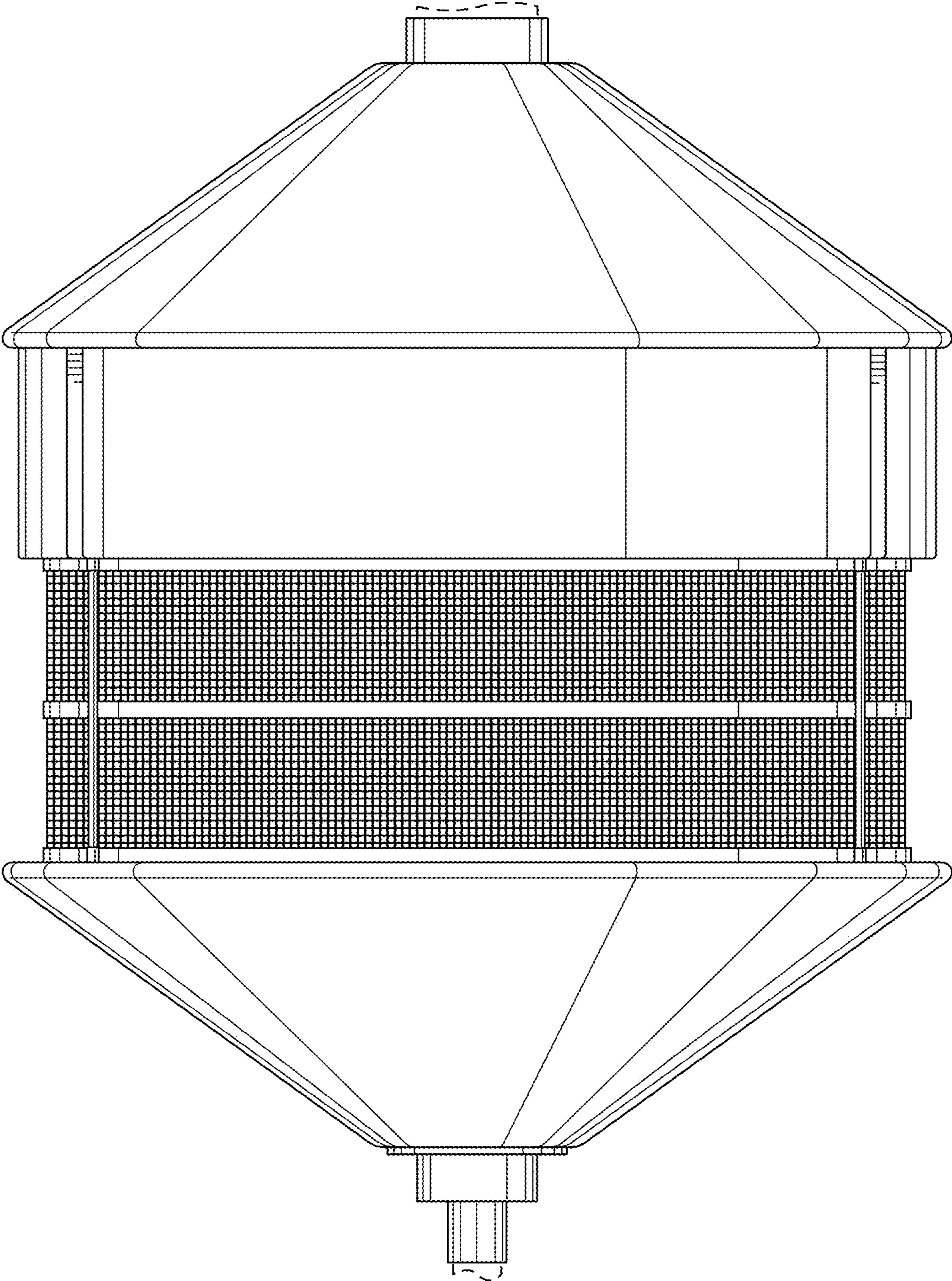


FIG. 6

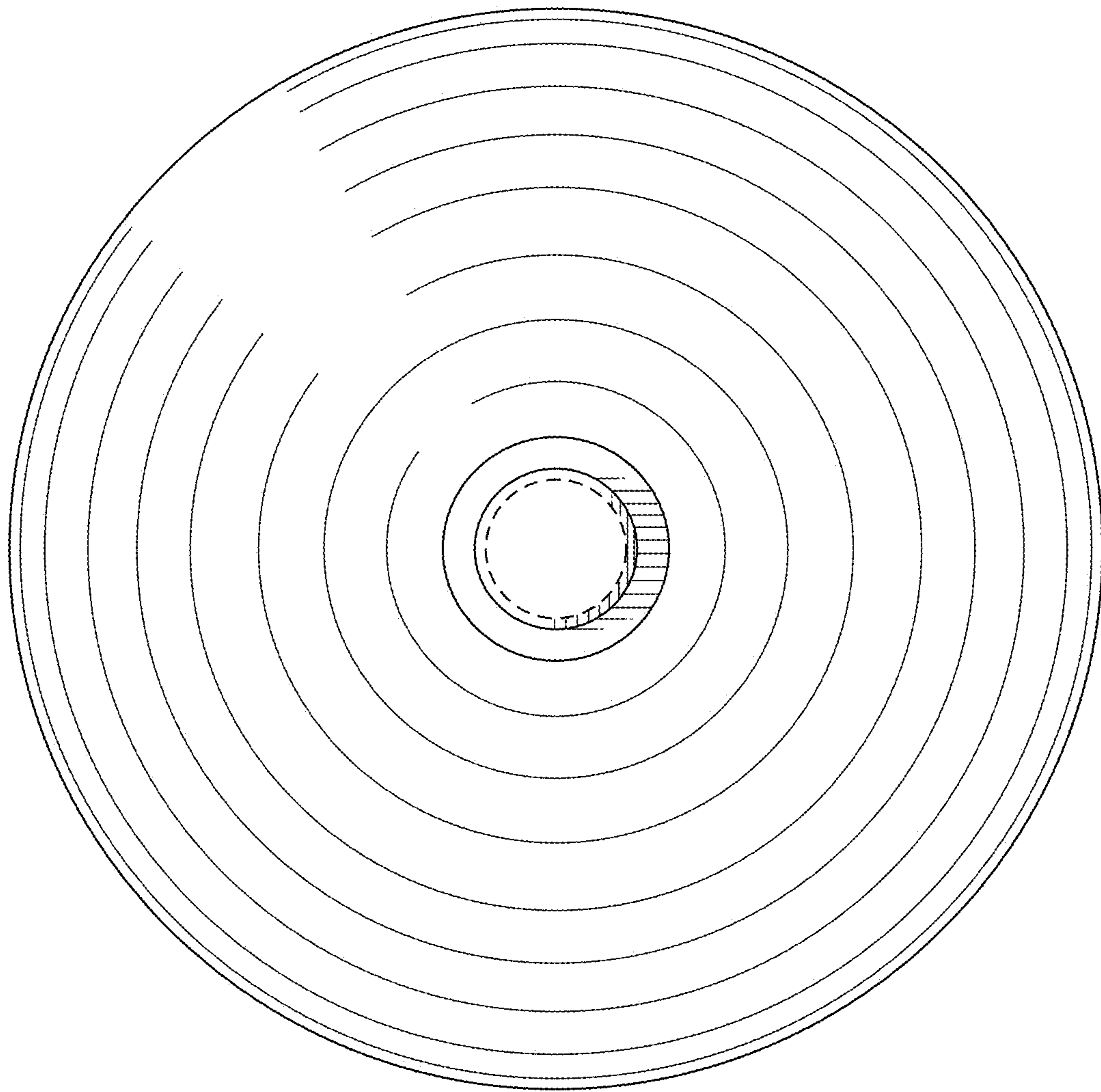


FIG. 7

