



US0D1013491S

(12) **United States Design Patent** (10) **Patent No.:** **US D1,013,491 S**  
**Truesdell et al.** (45) **Date of Patent:** **\*\* Feb. 6, 2024**

- (54) **BUCKET HOOK WITH TETHER HOLE**
- (71) Applicant: **Buckingham Manufacturing Company, Inc.**, Binghamton, NY (US)
- (72) Inventors: **Kevin Truesdell**, Binghamton, NY (US); **James Pennfeather**, Johnson City, NY (US)
- (73) Assignee: **BUCKINGHAM MANUFACTURING COMPAN**, Binghamton, NY (US)
- (\*\*) Term: **15 Years**
- (21) Appl. No.: **29/729,023**
- (22) Filed: **Mar. 24, 2020**
- (51) **LOC (14) Cl.** ..... **08-11**
- (52) **U.S. Cl.**  
USPC ..... **D8/367**
- (58) **Field of Classification Search**  
USPC ..... D8/367, 354, 349, 356; D12/162;  
224/248, 268, 904; 248/62; D32/54  
CPC ... A47G 29/083; F16B 45/00; A63B 21/0557;  
B60P 7/0823; A47J 45/10  
See application file for complete search history.

D313,296 S *	12/1990	Abbey	.....	D32/54
D456,578 S *	4/2002	Smith	.....	D7/622
D613,585 S *	4/2010	Haddock	.....	D8/367
D646,151 S *	10/2011	Potts	.....	D8/367
D694,613 S *	12/2013	Miles	.....	D8/367
9,211,760 B2 *	12/2015	Bajuyo	.....	A45F 5/021
9,433,261 B1 *	9/2016	Miles	.....	A44B 13/0029
9,815,319 B2 *	11/2017	Cooper	.....	B44D 3/14
D817,748 S *	5/2018	Wang	.....	D8/367
D844,782 S *	4/2019	Arora	.....	D24/130
D849,516 S *	5/2019	Johnson	.....	D8/367
D851,348 S *	6/2019	Boniakowski	.....	D32/54
D858,261 S *	9/2019	Gong	.....	D8/367
D865,494 S *	11/2019	Adelman	.....	D8/367
D873,120 S *	1/2020	Couvion	.....	D8/367
D893,986 S *	8/2020	Adelman	.....	D8/367
D898,548 S *	10/2020	Elliott	.....	D8/372
D902,019 S *	11/2020	Ryan	.....	D8/381
D902,020 S *	11/2020	Ryan	.....	D8/381
D919,419 S *	5/2021	Wei	.....	D8/367
D922,179 S *	6/2021	Wu	.....	D8/367

(Continued)

Primary Examiner — Cynthia R Underwood

(74) *Attorney, Agent, or Firm* — BOND, SCHOENECK & FREDERICK PRICE

(57) **CLAIM**

The ornamental design for a bucket hook with tether hole, as shown and described.

**DESCRIPTION**

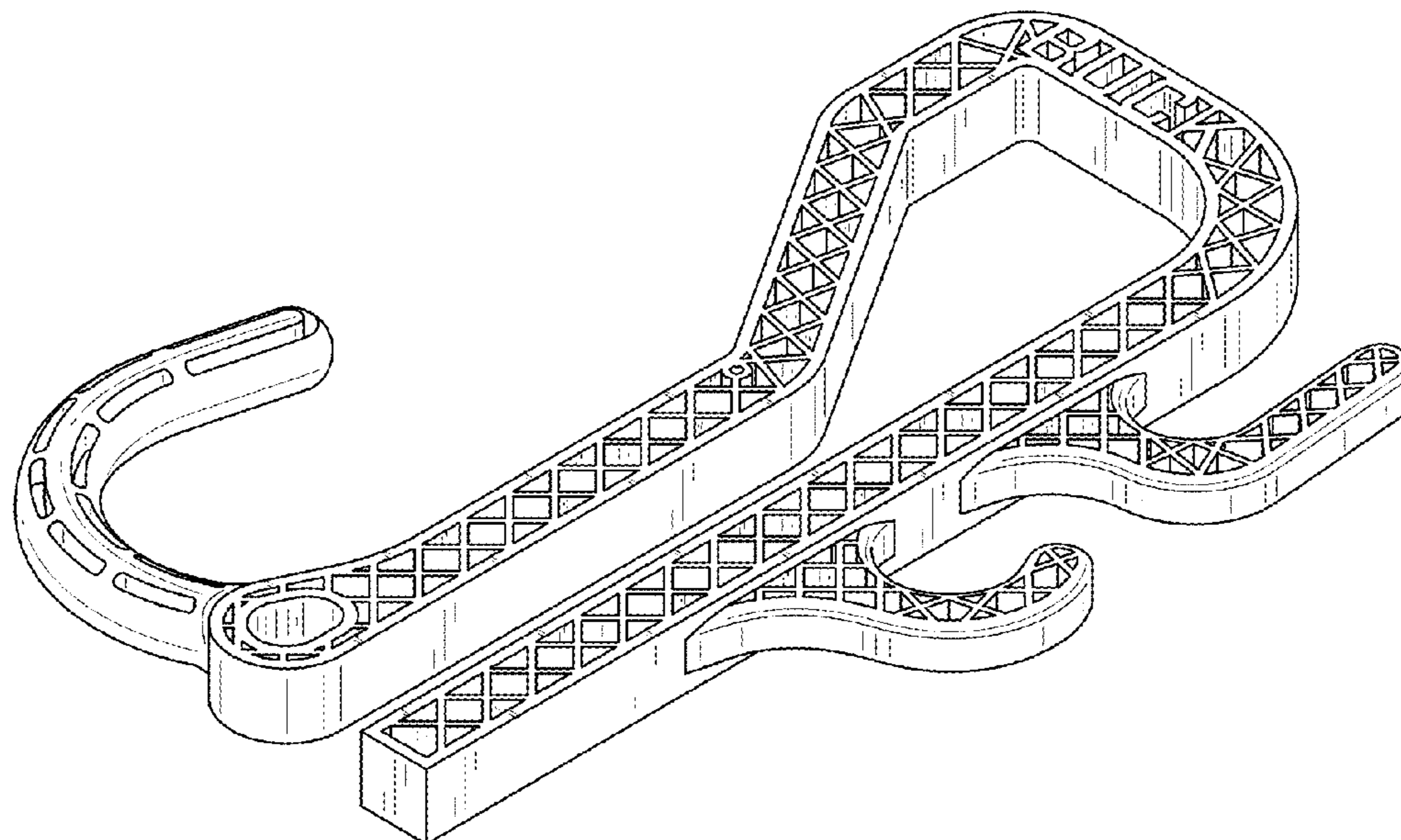
FIG. 1 is a top perspective illustrating the bucket hook with tether hole design;  
 FIG. 2 is a bottom plan view of FIG. 1;  
 FIG. 3 is a first side view of FIG. 1;  
 FIG. 4 is a second side view of FIG. 1;  
 FIG. 5 is a first end view of FIG. 1;  
 FIG. 6 is a second end view of FIG. 1;  
 FIG. 7 is a top isometric view of FIG. 1; and,  
 FIG. 8 is a bottom isometric view of FIG. 1.

**1 Claim, 2 Drawing Sheets**

(56) **References Cited**

U.S. PATENT DOCUMENTS

114,860 A *	5/1871	Robbins	.....	A47J 45/10
				220/759
1,527,980 A *	3/1925	Jones	.....	B44D 3/14
				248/113
D195,299 S *	5/1963	Margulis	.....	D8/371
3,285,482 A *	11/1966	Bedsaul, Sr.	.....	A45F 5/02
				224/268
3,685,778 A *	8/1972	Berns	.....	B60P 7/0823
				24/580.11
3,799,416 A *	3/1974	Schmaltz	.....	A47G 25/1457
				294/142



(56)

**References Cited**

U.S. PATENT DOCUMENTS

D926,480 S \* 8/2021 Hughes ..... D6/315  
D926,540 S \* 8/2021 Ressler ..... D8/367  
D930,448 S \* 9/2021 Parker ..... D8/14  
D942,840 S \* 2/2022 Adelman ..... D8/367  
11,280,366 B1 \* 3/2022 Nielsen ..... F16B 45/034  
D956,530 S \* 7/2022 Chen ..... D8/367  
D957,919 S \* 7/2022 Bredl ..... D8/367  
D957,920 S \* 7/2022 Bredl ..... D8/367  
11,512,511 B2 \* 11/2022 Timms ..... E05C 19/12  
D996,955 S \* 8/2023 Stephens ..... D8/367  
2006/0162138 A1 \* 7/2006 Kimura ..... B66C 1/36  
24/599.6  
2015/0285001 A1 \* 10/2015 Bardill ..... E06C 7/14  
248/211  
2021/0323141 A1 \* 10/2021 Tunney ..... B25J 1/04  
2022/0065286 A1 \* 3/2022 Nielsen ..... F16B 45/055  
2022/0228623 A1 \* 7/2022 Ressler ..... E04H 15/322  
2022/0338625 A1 \* 10/2022 Hu ..... A47G 25/0607

\* cited by examiner

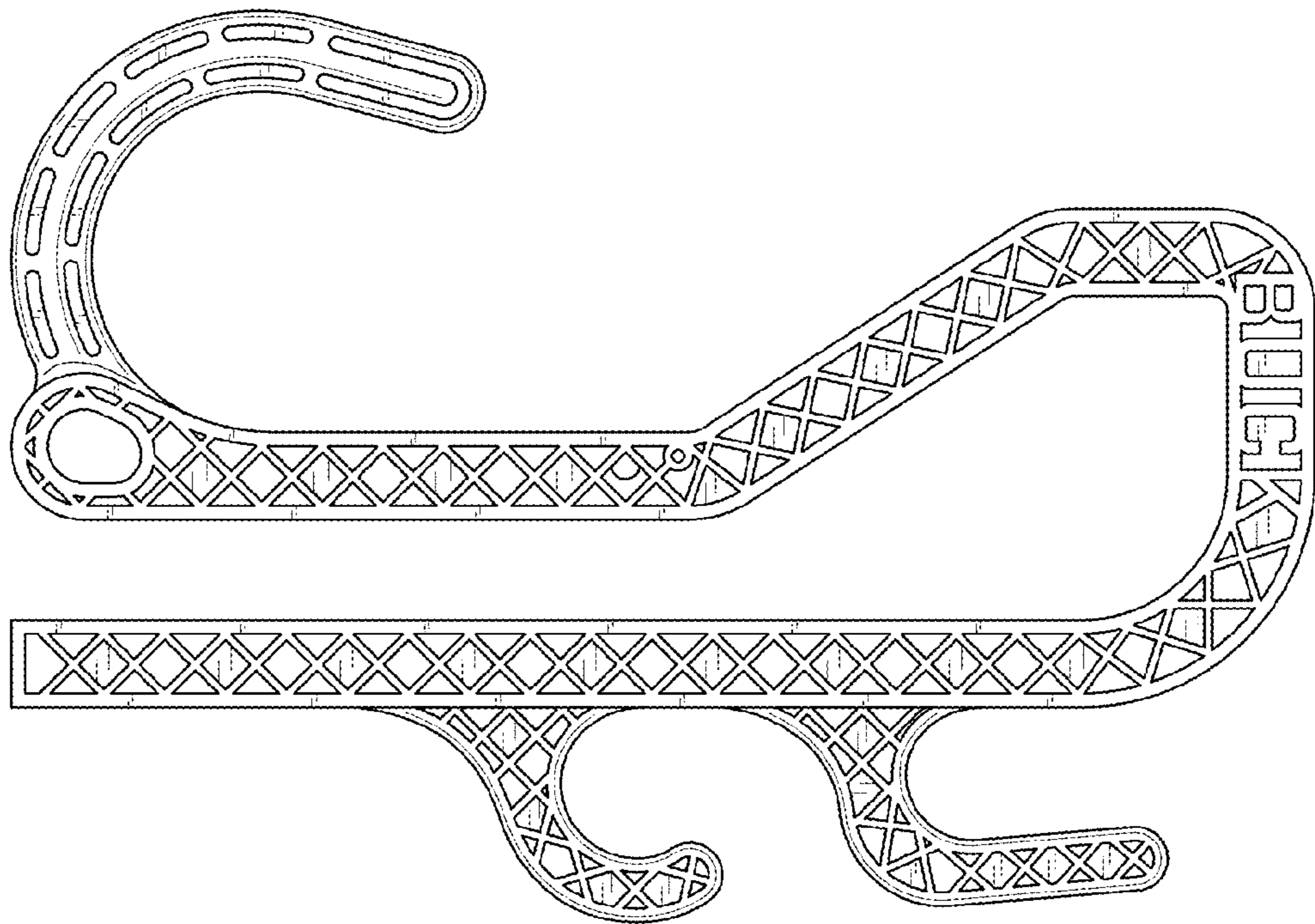


FIG. 1

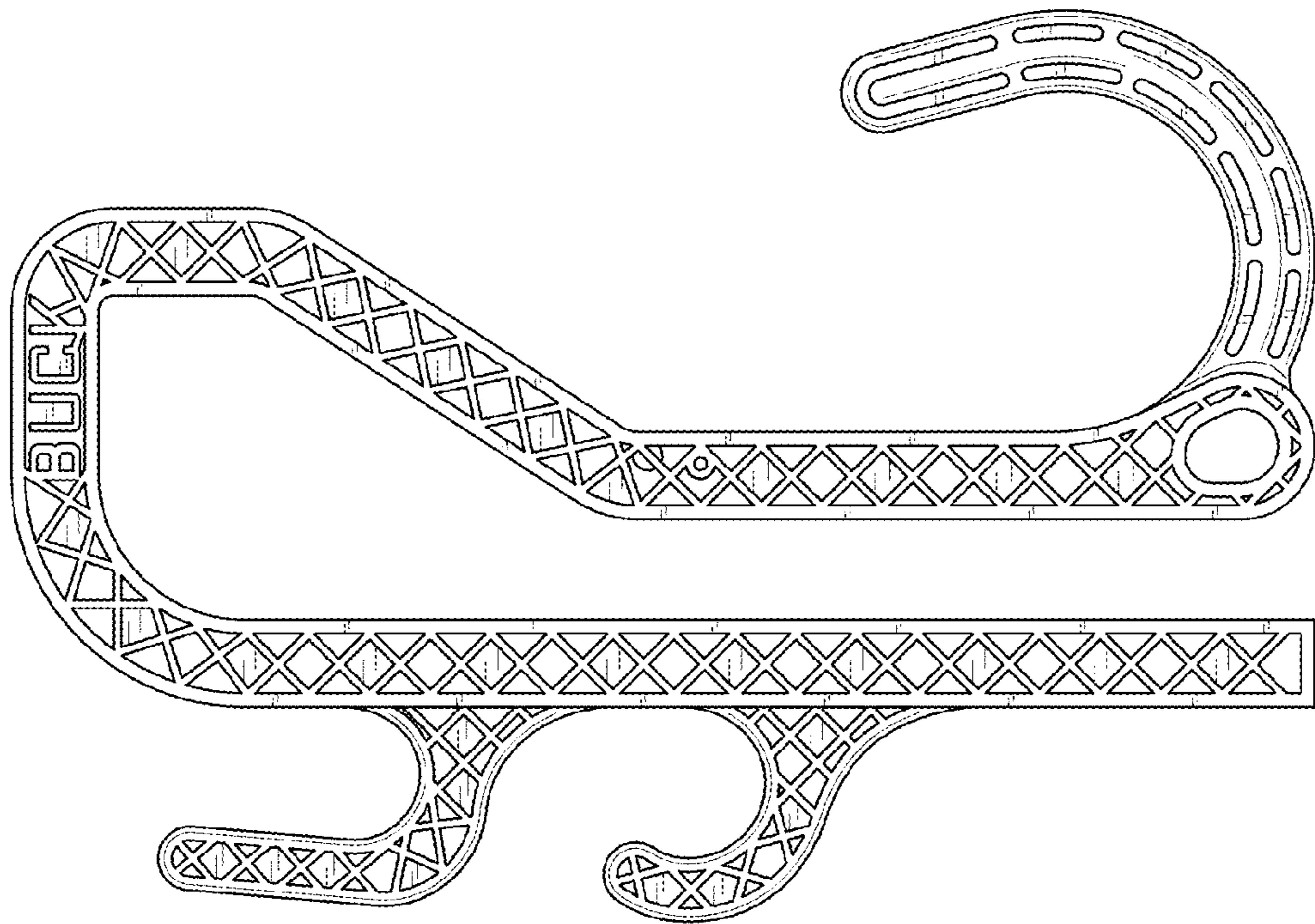


FIG. 2

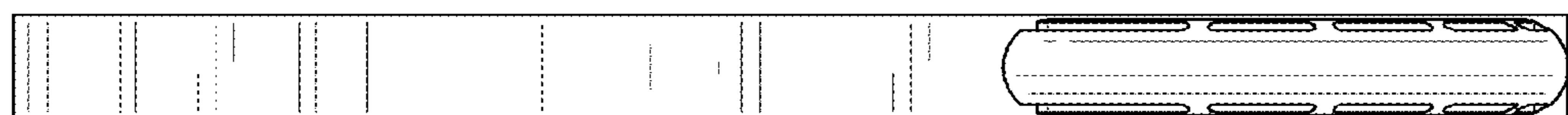


FIG. 3

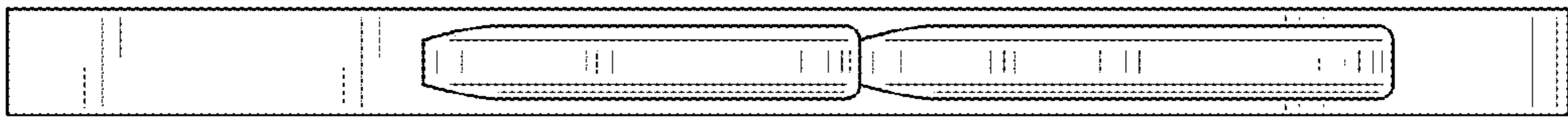


FIG. 4



FIG. 5

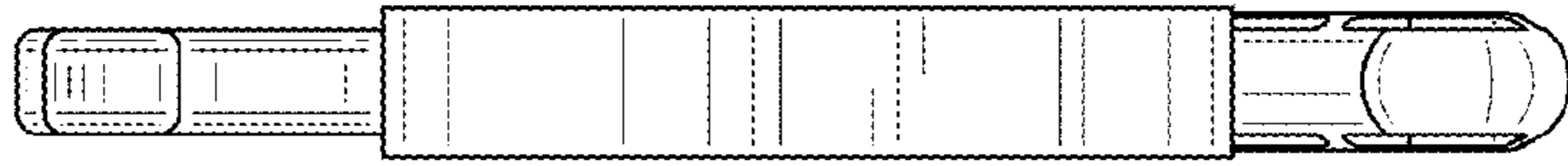


FIG. 6

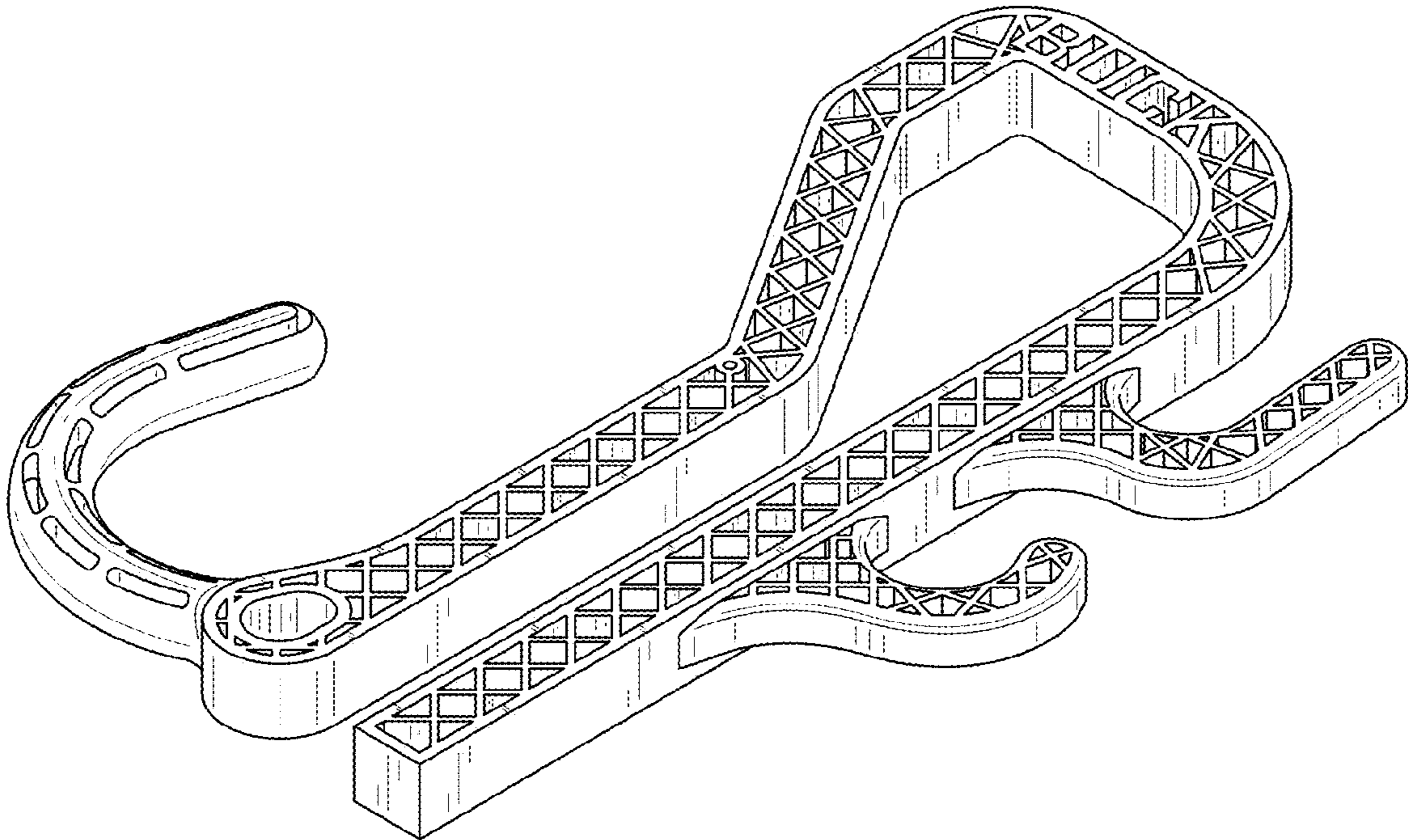


FIG. 7

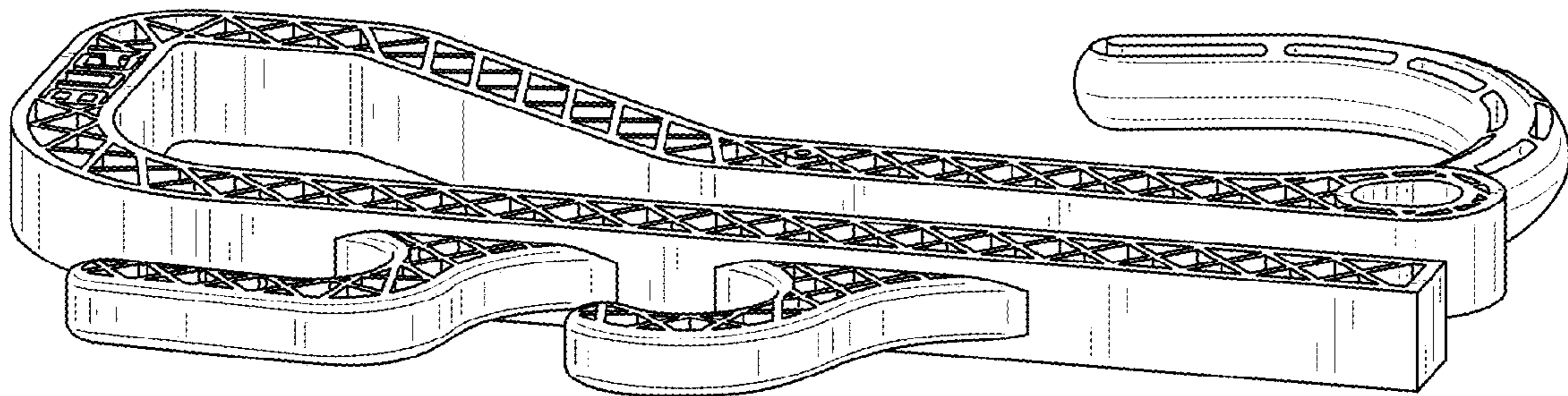


FIG. 8