



US0D1013485S

(12) **United States Design Patent** (10) **Patent No.: US D1,013,485 S**
Butalia et al. (45) **Date of Patent: ** Feb. 6, 2024**

(54) **PADLOCK**
(71) Applicant: **IGLOOCOMPANY PTE. LTD.**,
Singapore (SG)
(72) Inventors: **Siddartha Butalia**, Singapore (SG);
Adhiraj Mahajan, Singapore (SG)
(**) Term: **15 Years**
(21) Appl. No.: **35/516,573**

D573,871 S * 7/2008 Nave D8/334
D587,983 S * 3/2009 Zorc D8/343
D615,842 S * 5/2010 Freeman D8/333
D638,279 S * 5/2011 Plato D8/334
9,784,016 B1 * 10/2017 Cabral Herrera E05B 67/22
D834,918 S * 12/2018 Zheng D8/334
10,422,163 B1 * 9/2019 Cabral Herrera E05B 67/22
D891,225 S * 7/2020 Ronge D8/334
D962,037 S * 8/2022 O'Rourke D8/334
2015/0225986 A1 * 8/2015 Goldman E05B 17/002
70/20
2021/0047865 A1 * 2/2021 Tsui E05B 67/22
2021/0324662 A1 * 10/2021 Ng E05B 67/22

(22) Filed: **Feb. 21, 2023**

(80) **Hague Agreement Data**
Int. Filing Date: **Feb. 21, 2023**
Int. Reg. No.: **DM/227219**
Int. Reg. Date: **Feb. 21, 2023**
Int. Reg. Pub. Date: **Mar. 10, 2023**

(51) **LOC (14) Cl.** **08-07**
(52) **U.S. Cl.**
USPC **D8/334**

(58) **Field of Classification Search**
USPC D8/330-334, 336, 338, 339, 341, 342,
D8/343, 346; D14/159, 388, 399
CPC E05B 67/22; E05B 47/0012; E05B 37/025;
E05B 67/00
See application file for complete search history.

(56) **References Cited**

U.S. PATENT DOCUMENTS

D102,643 S * 1/1937 Vile 70/52
D115,761 S * 7/1939 Fraim D8/334
D117,838 S * 11/1939 Wise D8/334
D144,682 S * 5/1946 Bouhall D8/334
D407,625 S * 4/1999 Yang D8/334
D423,906 S * 5/2000 Fiegenger D8/334
D437,768 S * 2/2001 Grosz D8/334
D458,530 S * 6/2002 Grosz D8/334
D484,776 S * 1/2004 Ruan D8/334
D516,408 S * 3/2006 Kearns D8/334
D542,625 S * 5/2007 Blomstrom D8/334

OTHER PUBLICATIONS

Igloohome, posted May 15, 2023 [online], [retrieved Nov. 6, 2023].
Retrieved from internet, <https://www.amazon.com/igloohome-Padlock-Keyless-Fingerprint-Android/dp/B0C594VD3V/ref> (Year: 2023).*

* cited by examiner

Primary Examiner — David G Muller
Assistant Examiner — Christina Gabrielle Cosden

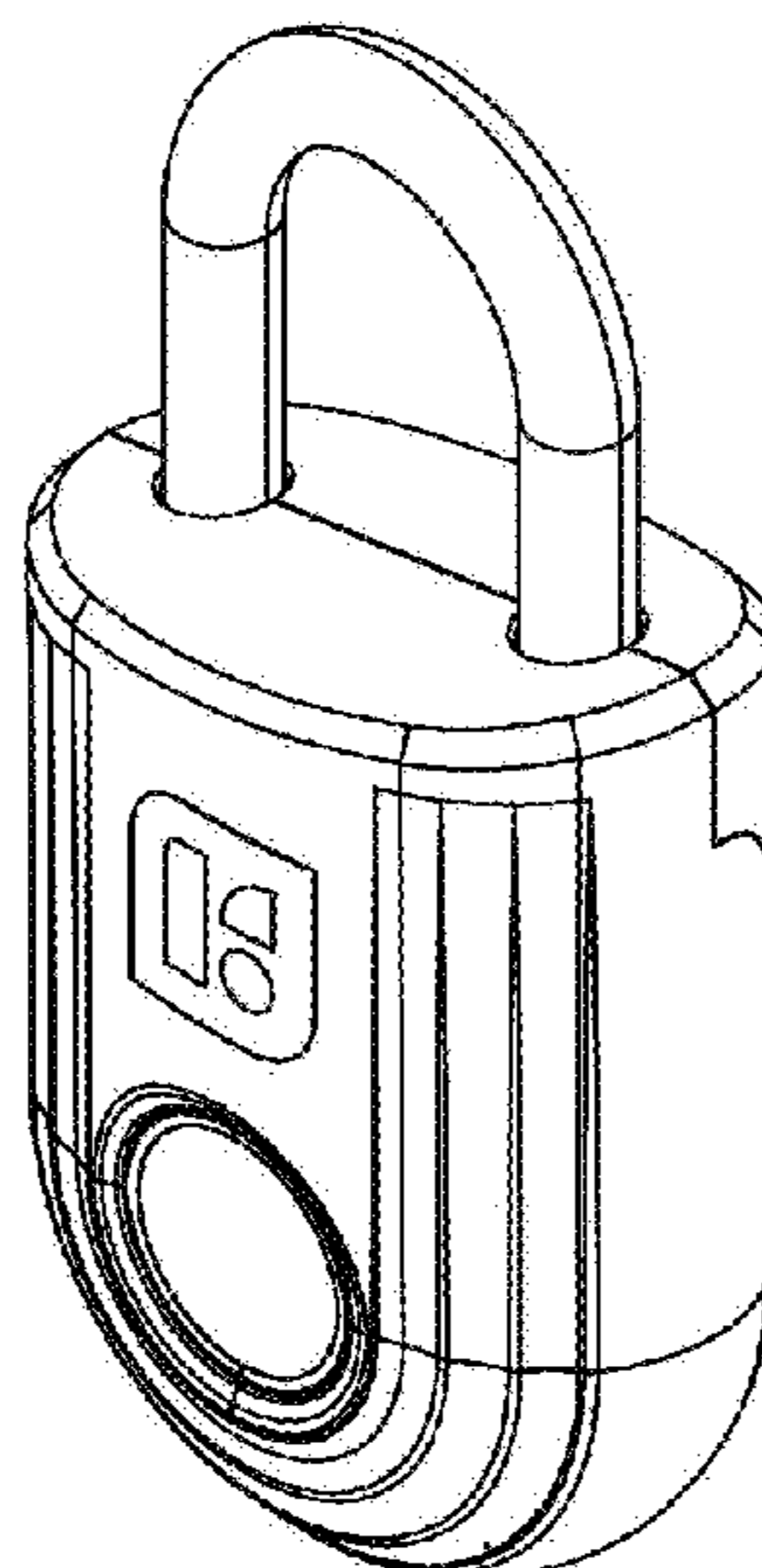
(57) **CLAIM**

The ornamental design for a padlock, as shown and described.

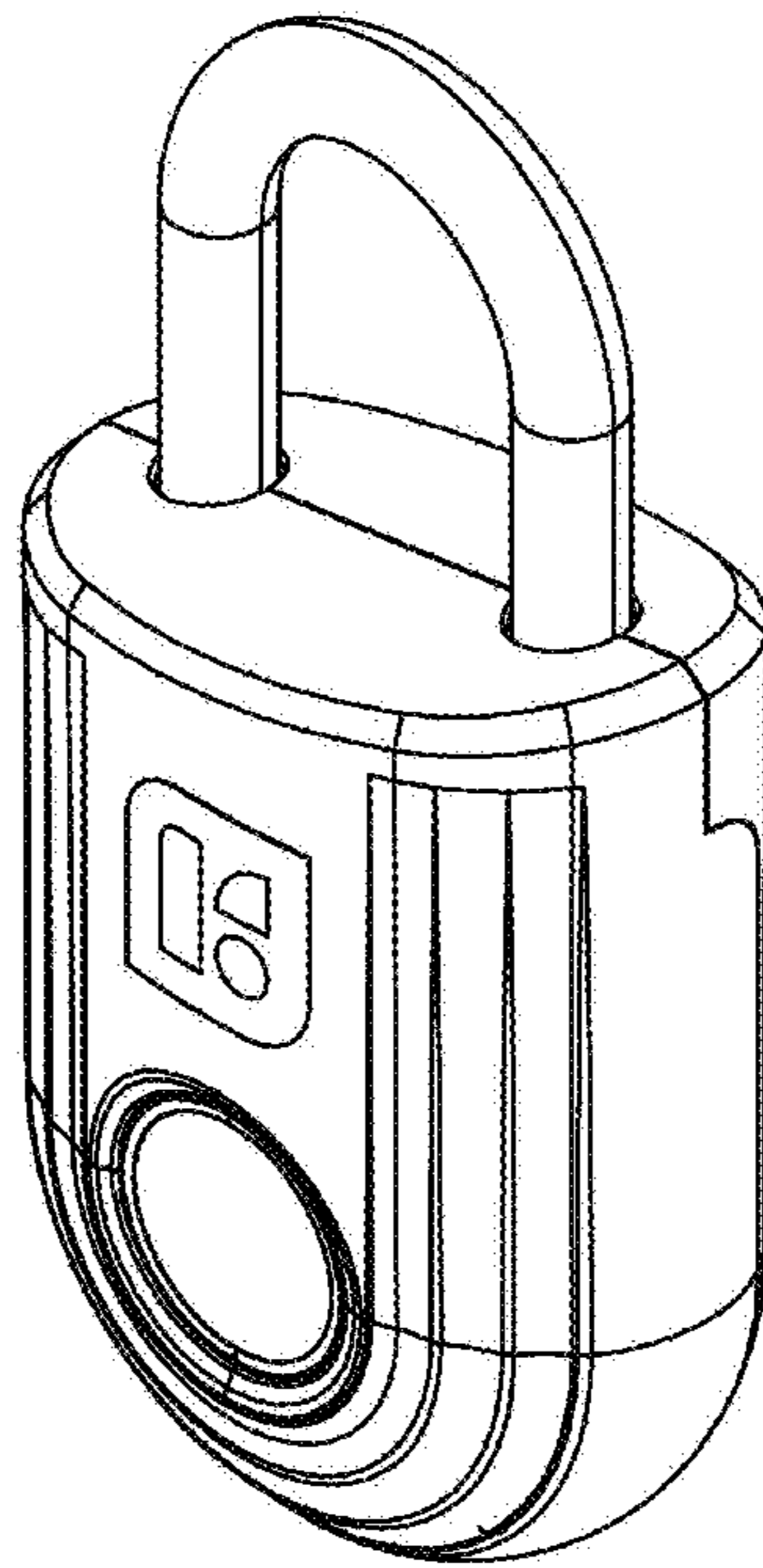
DESCRIPTION

- 1. Padlock
- 1.1 : Perspective
- 1.2 : Perspective
- 1.3 : Perspective
- 1.4 : Perspective
- 1.5 : Front
- 1.6 : Back
- 1.7 : Right
- 1.8 : Left
- 1.9 : Top
- 1.10 : Bottom

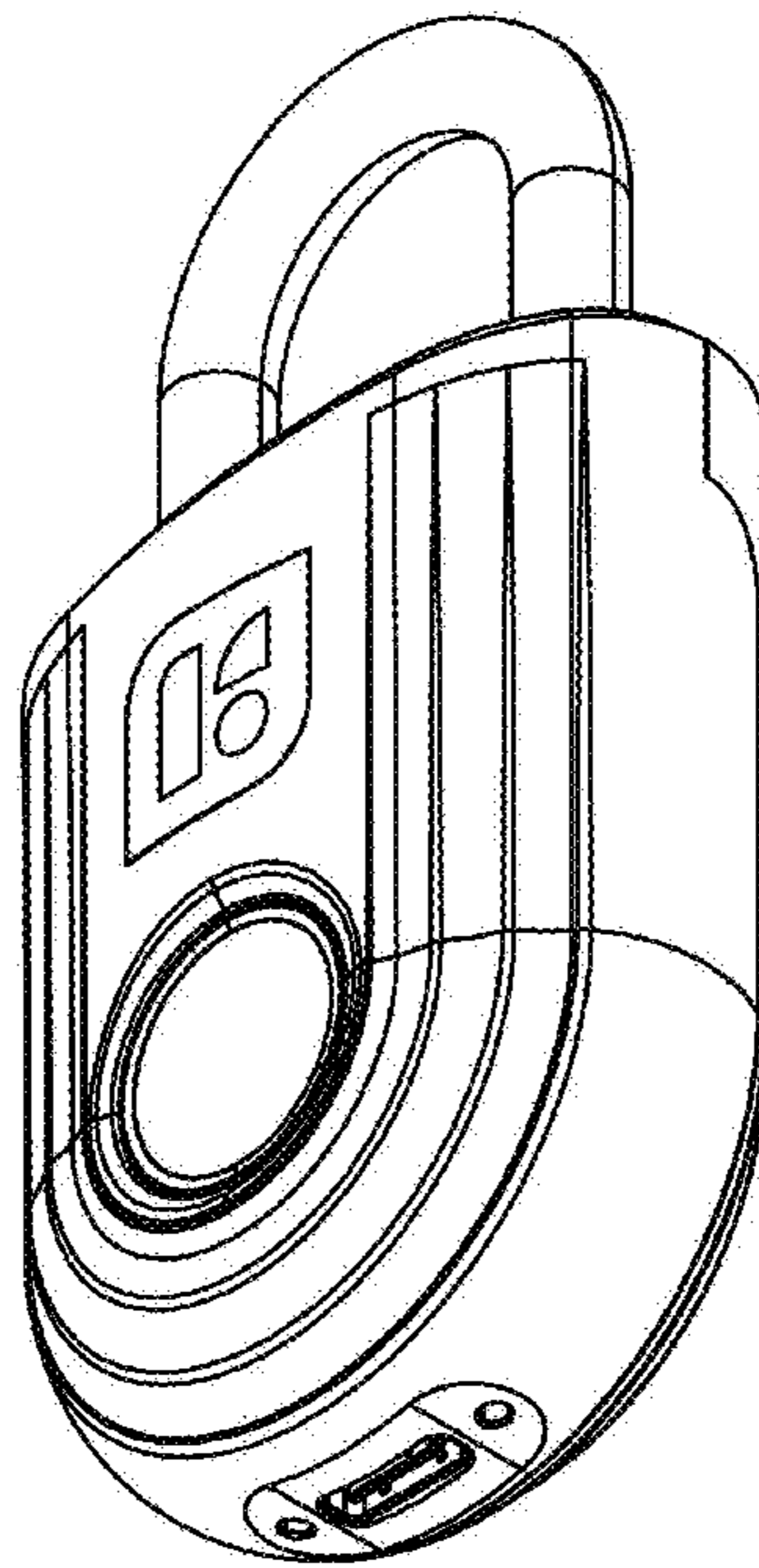
1 Claim, 10 Drawing Sheets



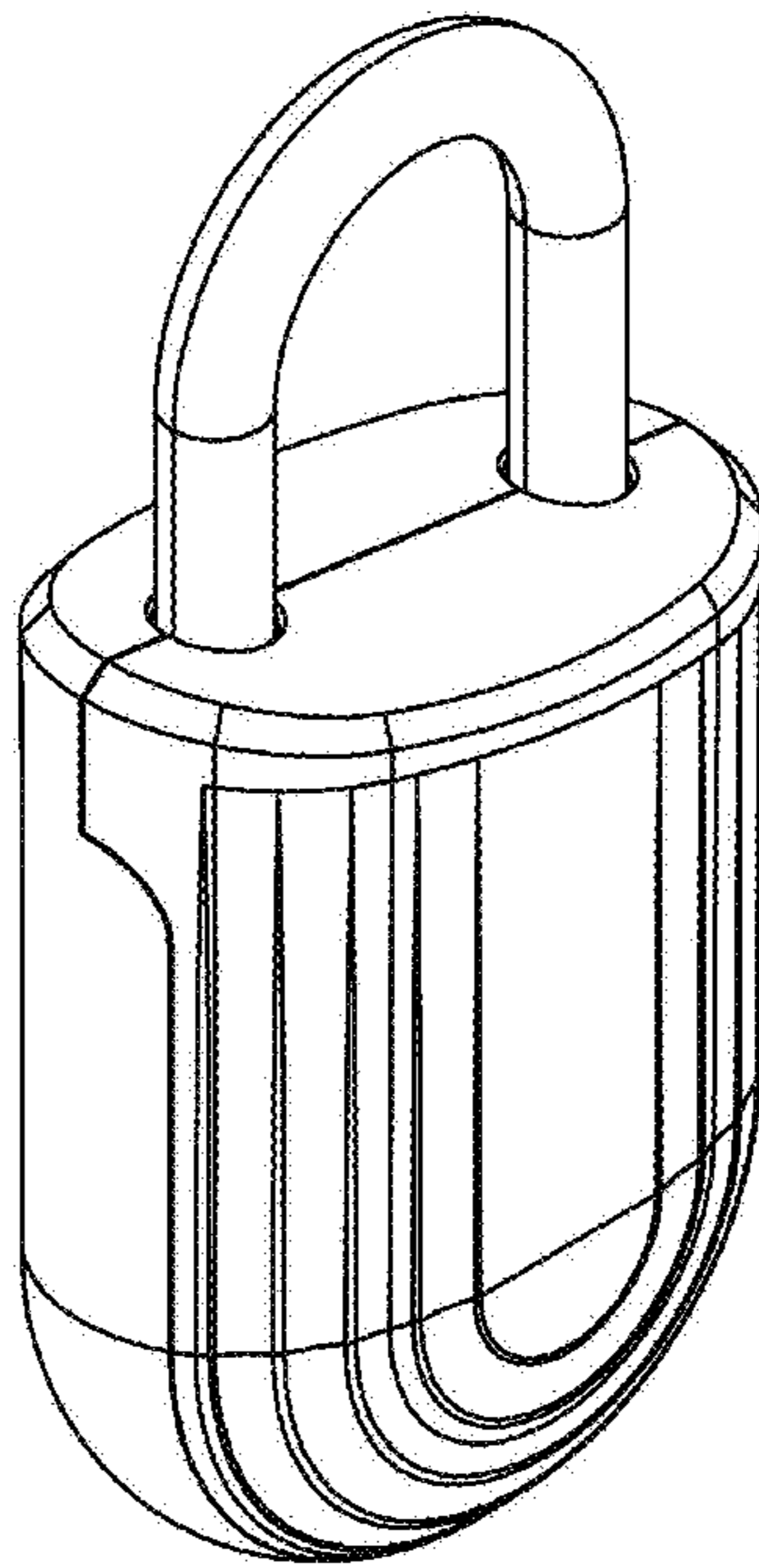
1.1



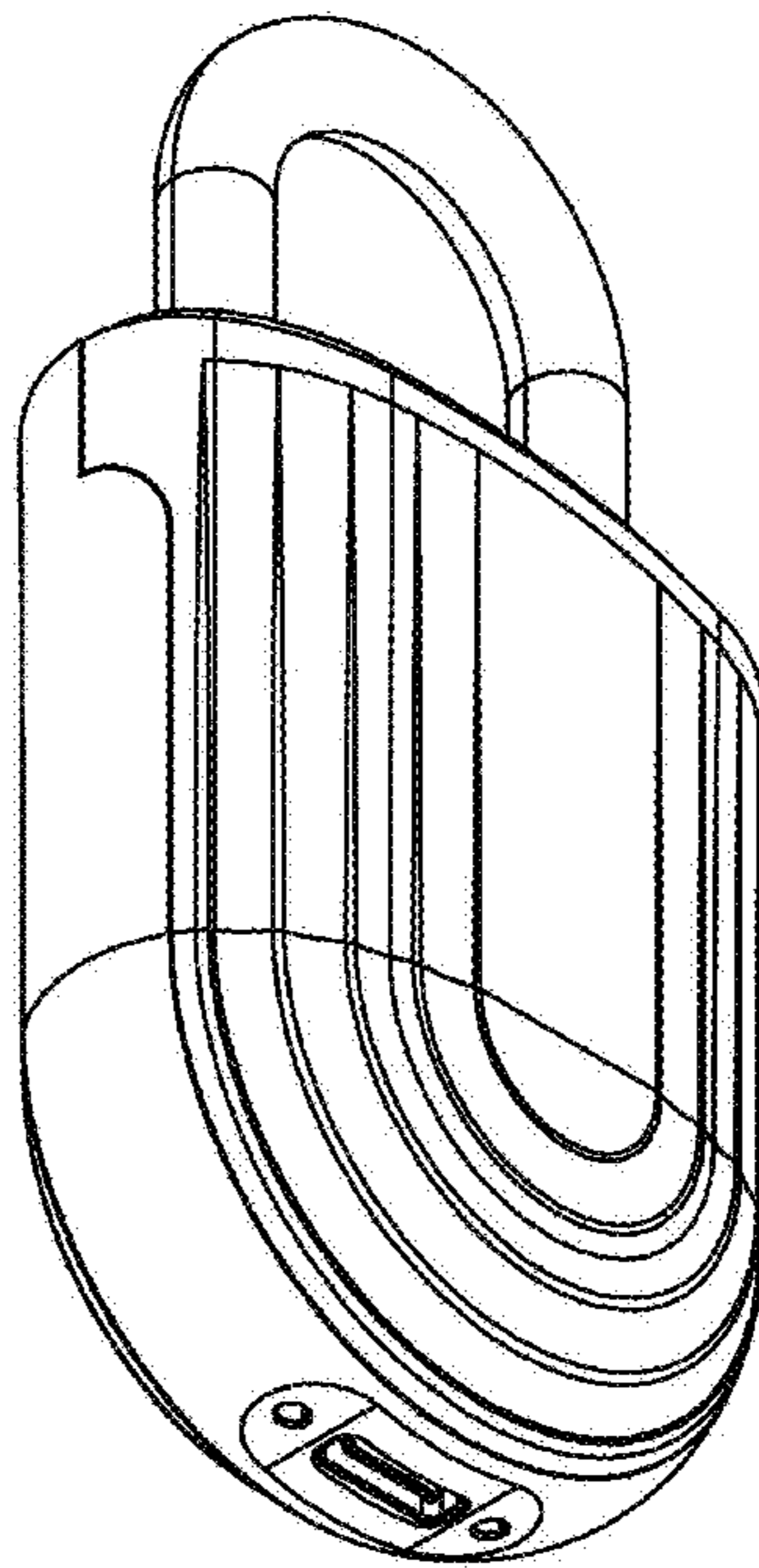
1.2



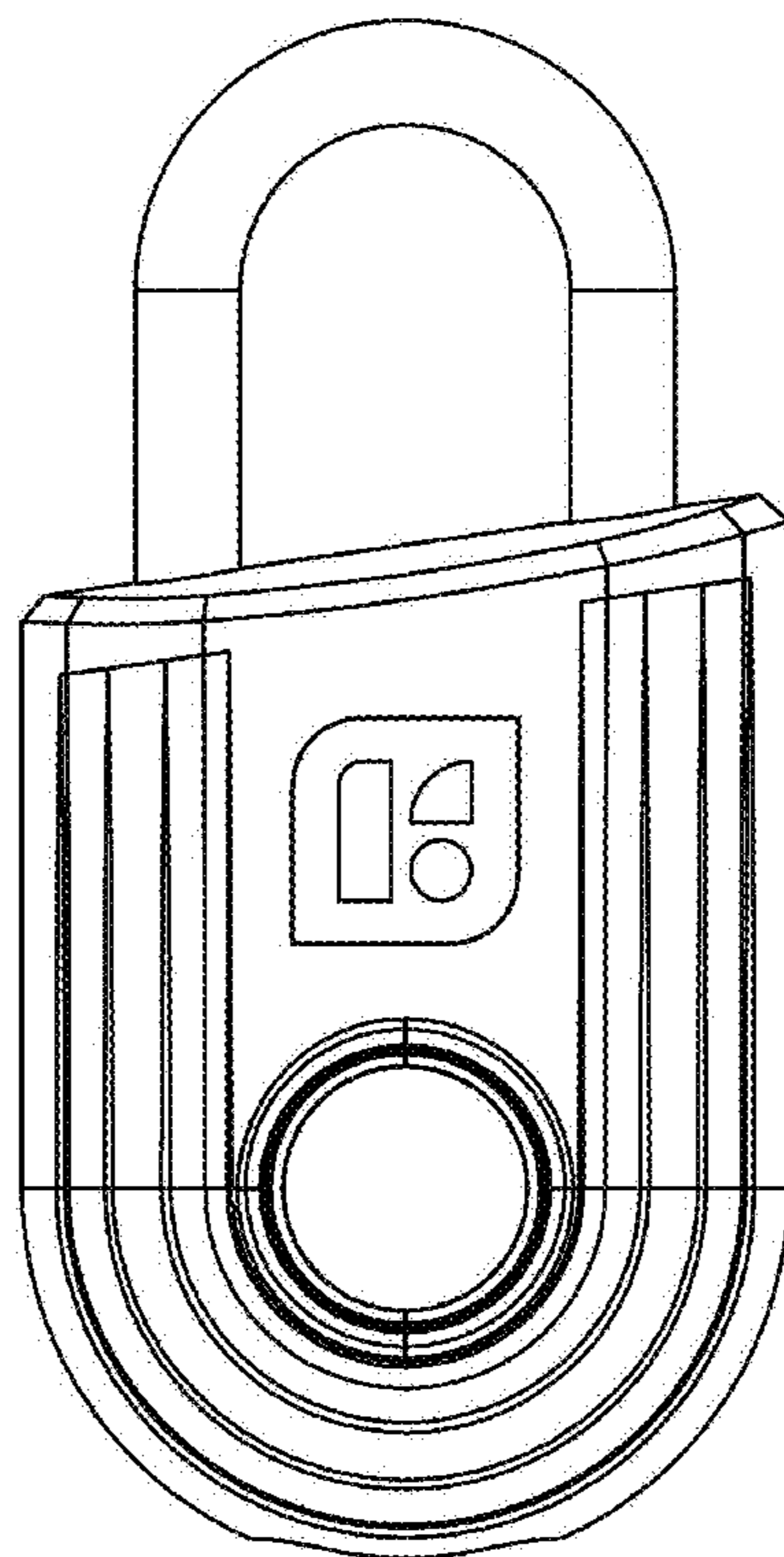
1.3



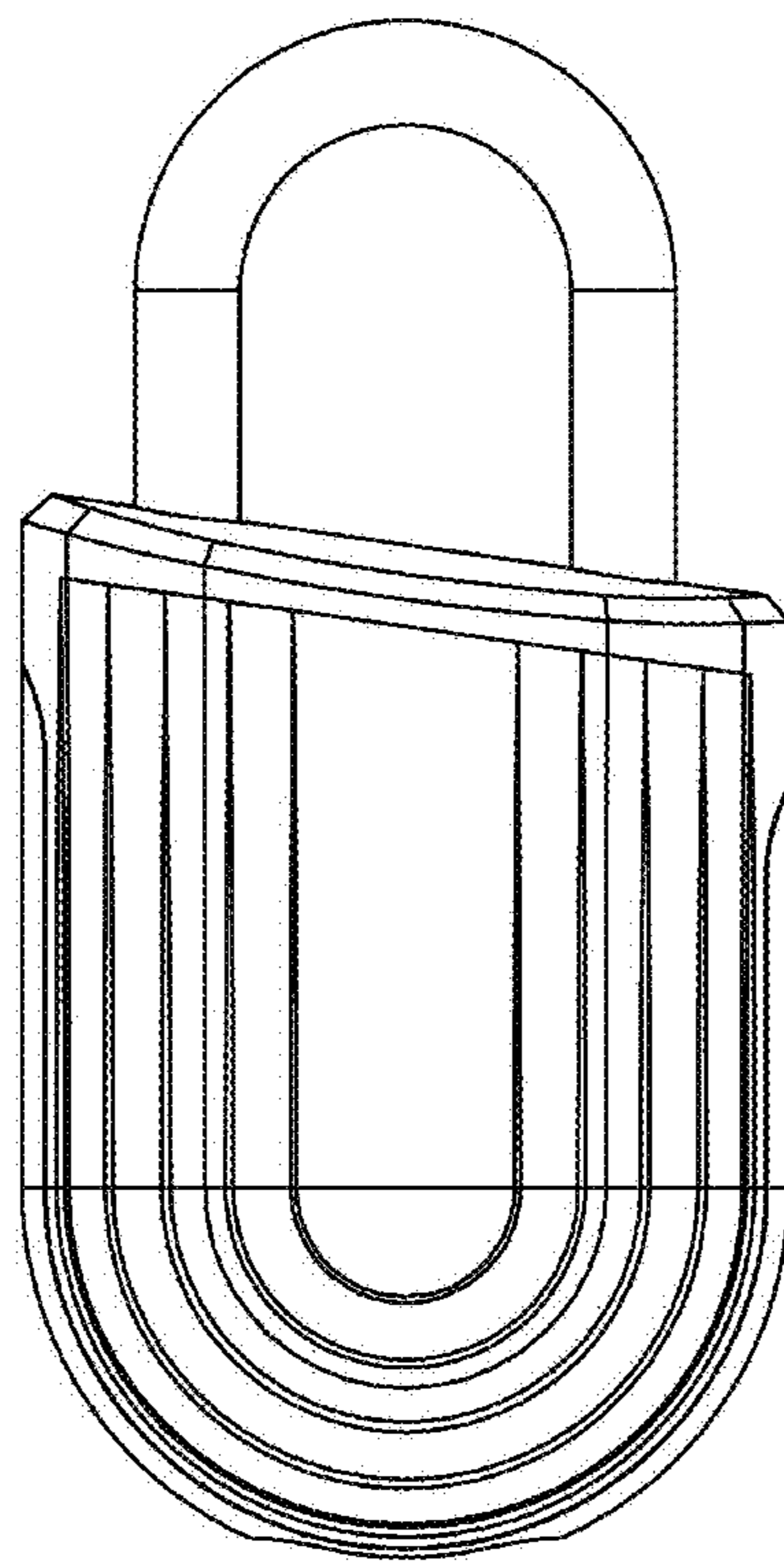
1.4



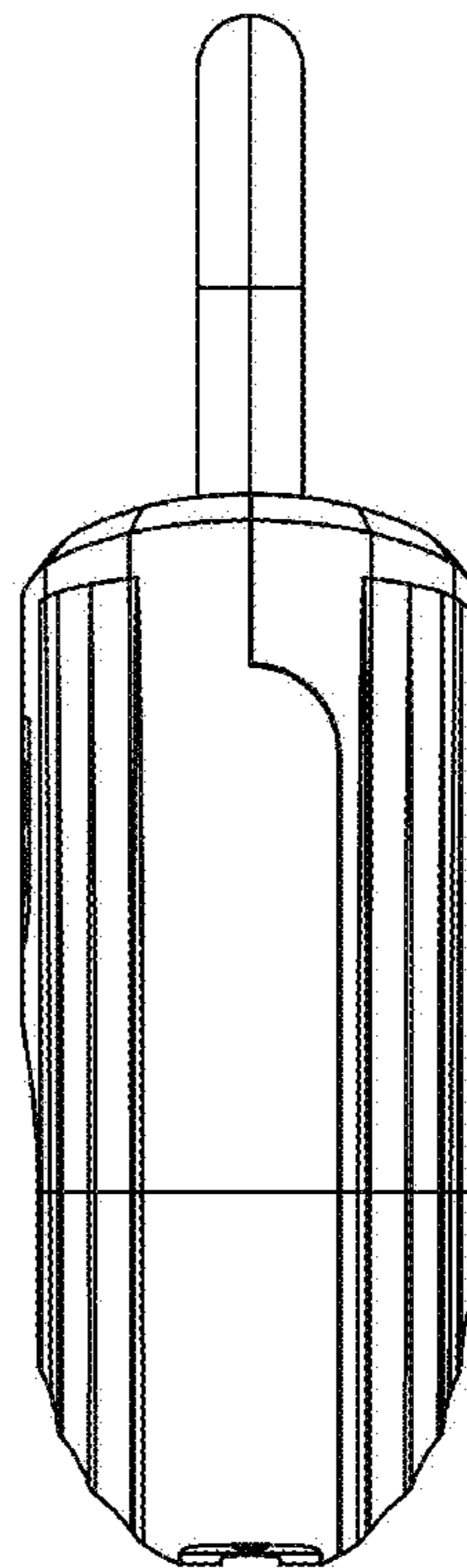
1.5



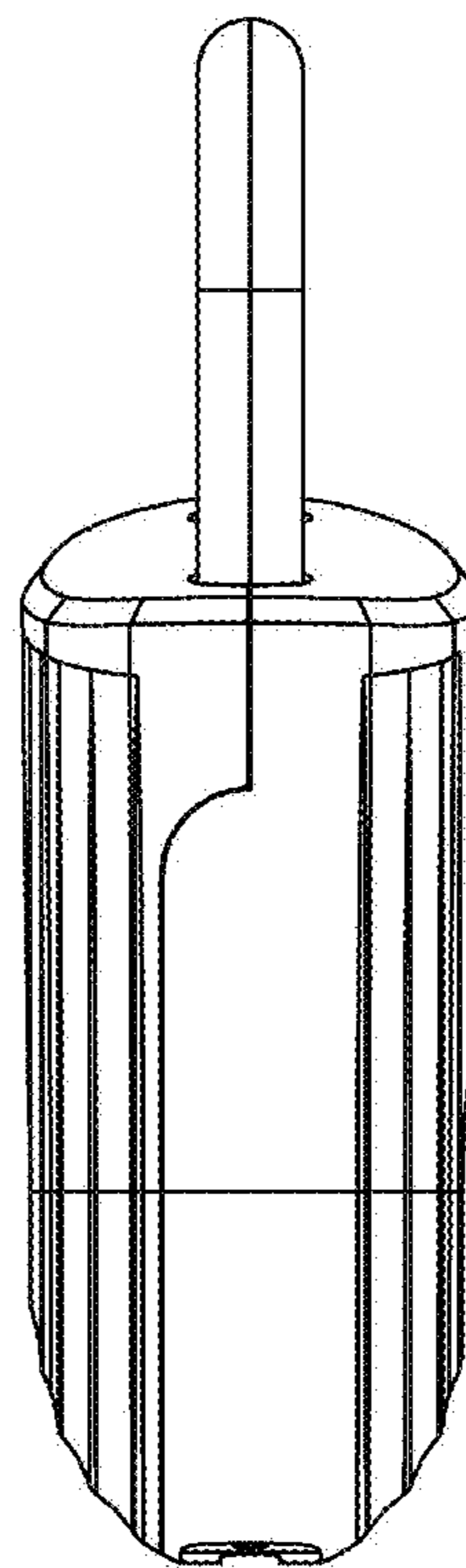
1.6



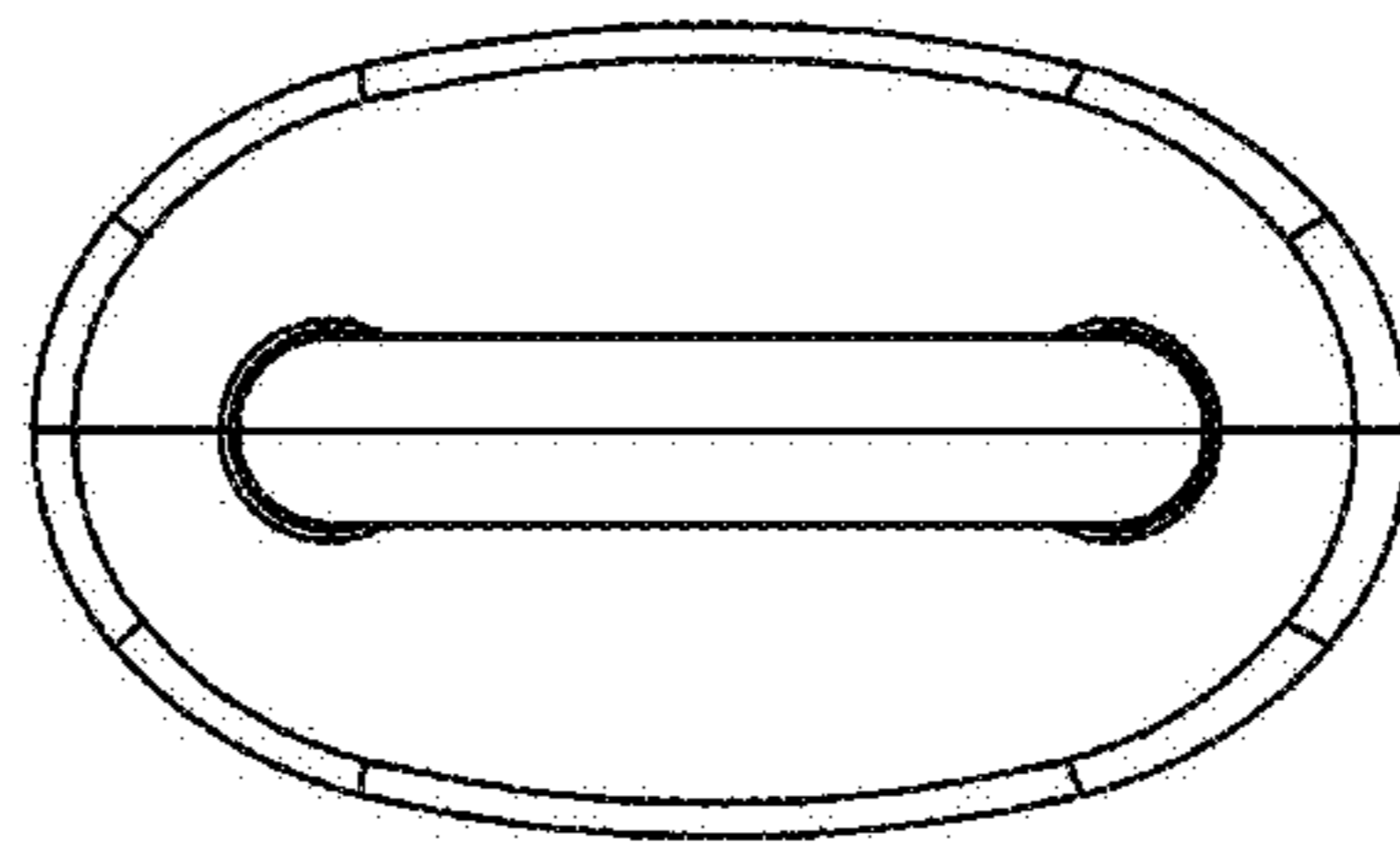
1.7



1.8



1.9



1.10

