



US0D1013463S

(12) **United States Design Patent** (10) **Patent No.:** **US D1,013,463 S**
Farrow (45) **Date of Patent:** **** Feb. 6, 2024**

(54) **HERB AND VEGETABLE EXTRUDER** 7,059,241 B2 * 6/2006 Lin A47J 19/027
99/511
(71) Applicant: **Franklin Farrow**, Rancho Palos Verdes, CA (US) D540,127 S * 4/2007 Ye D7/665
7,481,155 B2 * 1/2009 Larsen A47J 19/027
241/37.5
(72) Inventor: **Franklin Farrow**, Rancho Palos Verdes, CA (US) D628,860 S * 12/2010 Reay D7/665
D710,659 S * 8/2014 Marquez D7/665
8,939,070 B2 * 1/2015 Cheung A47J 19/027
99/511

(**) Term: **15 Years** (Continued)

(21) Appl. No.: **29/797,217**

FOREIGN PATENT DOCUMENTS

(22) Filed: **Jun. 29, 2021**
(51) **LOC (14) Cl.** **31-00**
(52) **U.S. Cl.**
USPC **D7/665; D7/666**

CN 302914812 * 8/2014
CN 305779433 * 5/2020

(Continued)

(58) **Field of Classification Search**
USPC D7/665, 666, 370, 378, 384, 386, 412
CPC A47J 19/02; A47J 19/027; A47J 19/06;
A47J 19/00; A47J 19/022; A47J 43/0727;
A47J 43/0794; A47J 43/042; A47J
43/046; A47J 2043/04454; A47J 43/044;
A23N 1/02; A23N 1/003; A23N 1/00
See application file for complete search history.

OTHER PUBLICATIONS

Hamilton Beach Juicer Machine, Sep. 27, 2013, <https://www.amazon.com/Hamilton-Beach-67601A-Extractor-Electric/dp/B00E0IBKLQ> (Year: 2013).*

(Continued)

Primary Examiner — Brett Miller
Assistant Examiner — Nader Abadir

(56) **References Cited**

(57) **CLAIM**

U.S. PATENT DOCUMENTS

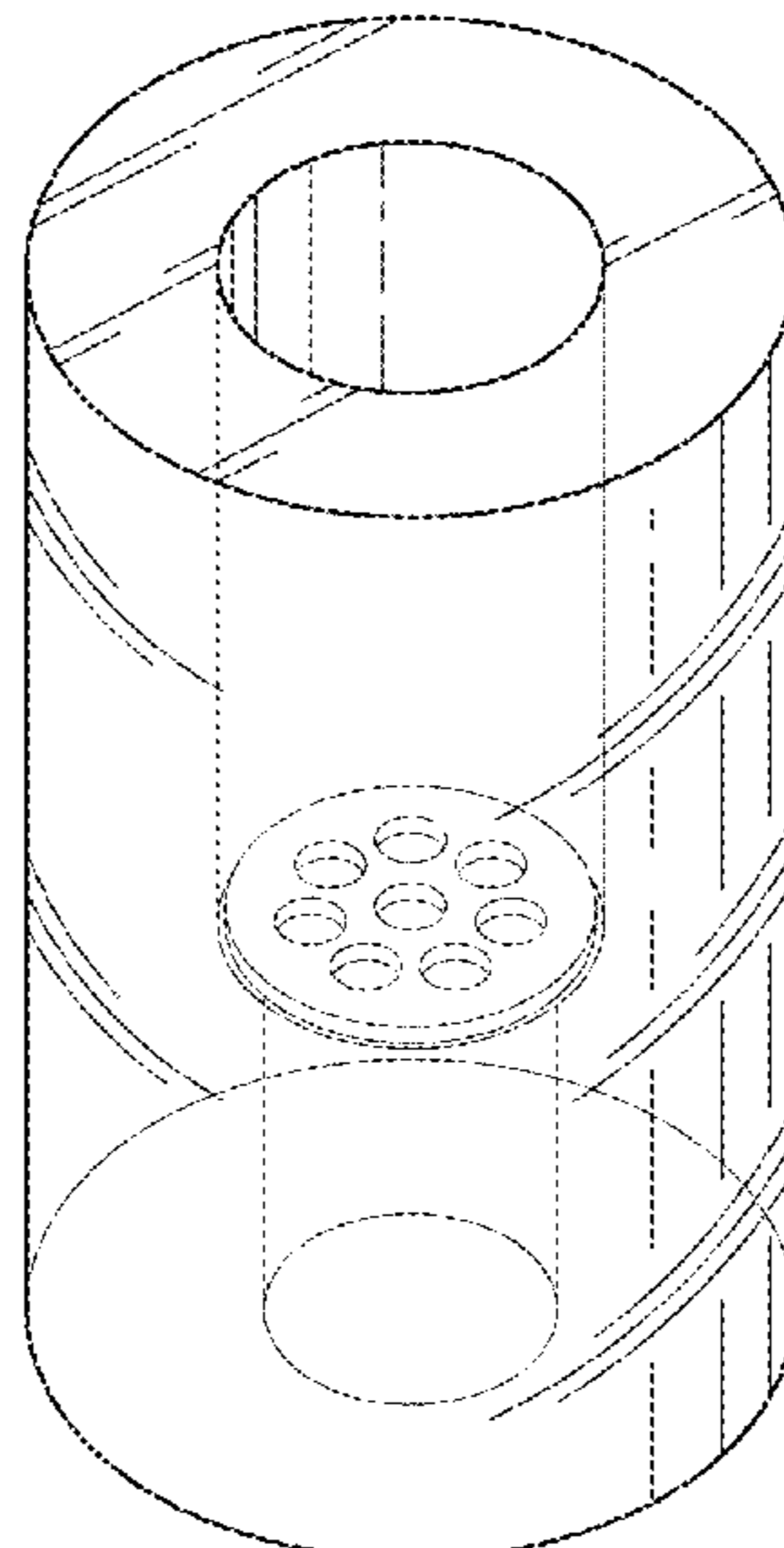
The ornamental design for an herb and vegetable extruder, as shown and described.

3,191,523 A * 6/1965 Fritz A47J 19/02
100/126
4,348,950 A * 9/1982 Harris A47J 19/06
241/168
D266,824 S * 11/1982 Harris D7/665
4,941,403 A * 7/1990 Cimenti A47J 43/0772
241/37.5
D318,402 S * 7/1991 Barrault D7/665
D353,079 S * 12/1994 Colombo D7/665
5,479,851 A * 1/1996 McClean A47J 19/027
99/512
D369,530 S * 5/1996 Risse D7/665
D416,767 S * 11/1999 Repac D7/693
6,397,736 B1 * 6/2002 Tseng A47J 19/027
99/511

DESCRIPTION

FIG. 1 is a top perspective view of an herb and vegetable extruder, according to a first embodiment;
FIG. 2 is a top plan view thereof;
FIG. 3 is bottom plan view thereof;
FIG. 4 is a front plan view thereof;
FIG. 5 is a back plan view thereof;
FIG. 6 is a first side plan view thereof; and,
FIG. 7 is a second side plan view thereof.

1 Claim, 3 Drawing Sheets



(56)

References Cited

U.S. PATENT DOCUMENTS

D723,343 S * 3/2015 Anzalone D7/666
 D744,792 S * 12/2015 Kim D7/665
 9,220,373 B2 * 12/2015 Hensel A47J 43/0716
 9,538,883 B2 * 1/2017 Fister A47J 43/255
 D791,552 S * 7/2017 Rose D7/666
 D828,119 S * 9/2018 Popov D7/666
 D834,898 S * 12/2018 Audet D7/679
 D844,391 S * 4/2019 Cabrita D7/666
 D850,868 S * 6/2019 Lin D7/378
 D859,938 S * 9/2019 Yu D7/378
 D872,543 S * 1/2020 Hiltenbrand D7/666
 D880,959 S * 4/2020 Allende Fritsch D7/665
 D915,838 S * 4/2021 Wu D7/666
 2012/0240792 A1 * 9/2012 Clarke A47J 25/00
 29/428
 2016/0219923 A1 * 8/2016 Hensel A23N 1/02
 2016/0220056 A1 * 8/2016 Wong A47J 19/06
 2018/0220848 A1 * 8/2018 Ebrahim A47J 19/06

FOREIGN PATENT DOCUMENTS

CN 306635609 * 6/2021
 CN 306651760 * 6/2021
 GB 6131713 * 4/2021
 KR 300790549.0000 * 4/2015

OTHER PUBLICATIONS

Breville Juicer, Nov. 29, 2018, <https://www.amazon.com/Breville-BJE830BSS1BUS1-Founatin-Stainless-Centrifugal/dp/B07KZ4ZBT5> (Year: 2018).
 DXYD Garlic Press, Nov. 24, 2020, <https://www.amazon.com/DXYD-Stripper-Stainless-Featured-Matching/dp/B08P2PRY9F> (Year: 2020).
 Levo Press, Mar. 17, 2021, <https://www.amazon.com/LEVO-Herb-Press/dp/B078HHX3XN> (Year: 2020).
 Priority Chef Press, Oct. 14, 2014, <https://www.amazon.com/Priority-Chef-Potato-Perfection-Stainless/dp/B00MUEHPGQ> (Year: 2014).
 Bellemain Press, Sep. 25, 2019, <https://www.amazon.com/Bellemain-Stainless-Interchangeable-Fineness-Discs-Full/dp/B07YCS31SQ> (Year: 2019).
 Anerong Press, Jan. 5, 2019, <https://www.amazon.com/Garlic-Cleaner-Silicone-Squeeze-Dishwasher/dp/B07M74PH8P> (Year: 2019).
 Kitessensu Press, Jul. 15, 2020, <https://www.amazon.com/Silicone-Cleaning-Dishwasher-Professional-Efficient/dp/B08CZVWR21> (Year: 2020).
 Vita Saggia Press, Dec. 15, 2017, <https://www.amazon.com/Vita-Saggia-Stainless-Potato-Masher/dp/B078B9QNBC> (Year: 2017).
 Mempelont Garlic Press, Sep. 10, 2020, <https://www.amazon.com/Mempelont-Garlic-Press-Mincer-Detachable/dp/B08HRLQTP> (Year: 2020).
 Bellemain Extruder, Dec. 25, 2019, <https://www.amazon.com/Bellemain-Stainless-Interchangeable-Fineness-Discs-Full/dp/B07YCS31SQ> (Year: 2019).
 DesirePath Extruder, Jan. 6, 2020, <https://www.amazon.com/DesirePath-Vegetables-Squeezer-Vegetable-Strainer/dp/B083HXLP32> (Year: 2020).
 WarmCrystal Extruder, Aug. 23, 2018, <https://www.amazon.com/WarmCrystal-Stainless-Potato-Premium-Squeezer/dp/B07GS5XNH9> (Year: 2018).
 Jeth Extruder, Jun. 18, 2020, <https://www.amazon.com/Manual-Spaghetti-Kitchen-Stainless-Machine/dp/B08BFCN2ZY> (Year: 2020).
 Newcreativetop Extruder, Dec. 22, 2015, <https://www.amazon.com/Newcreativetop-Stainless-Manual-Noodles-Machine/dp/B019P8B1PU> (Year: 2015).
 TaoXiong Extruder, Sep. 1, 2019, <https://www.amazon.com/Machine-Stainless-Manual-Noodles-Noodle/dp/B07X6SJLVM> (Year: 2019).

* cited by examiner

FIG. 1

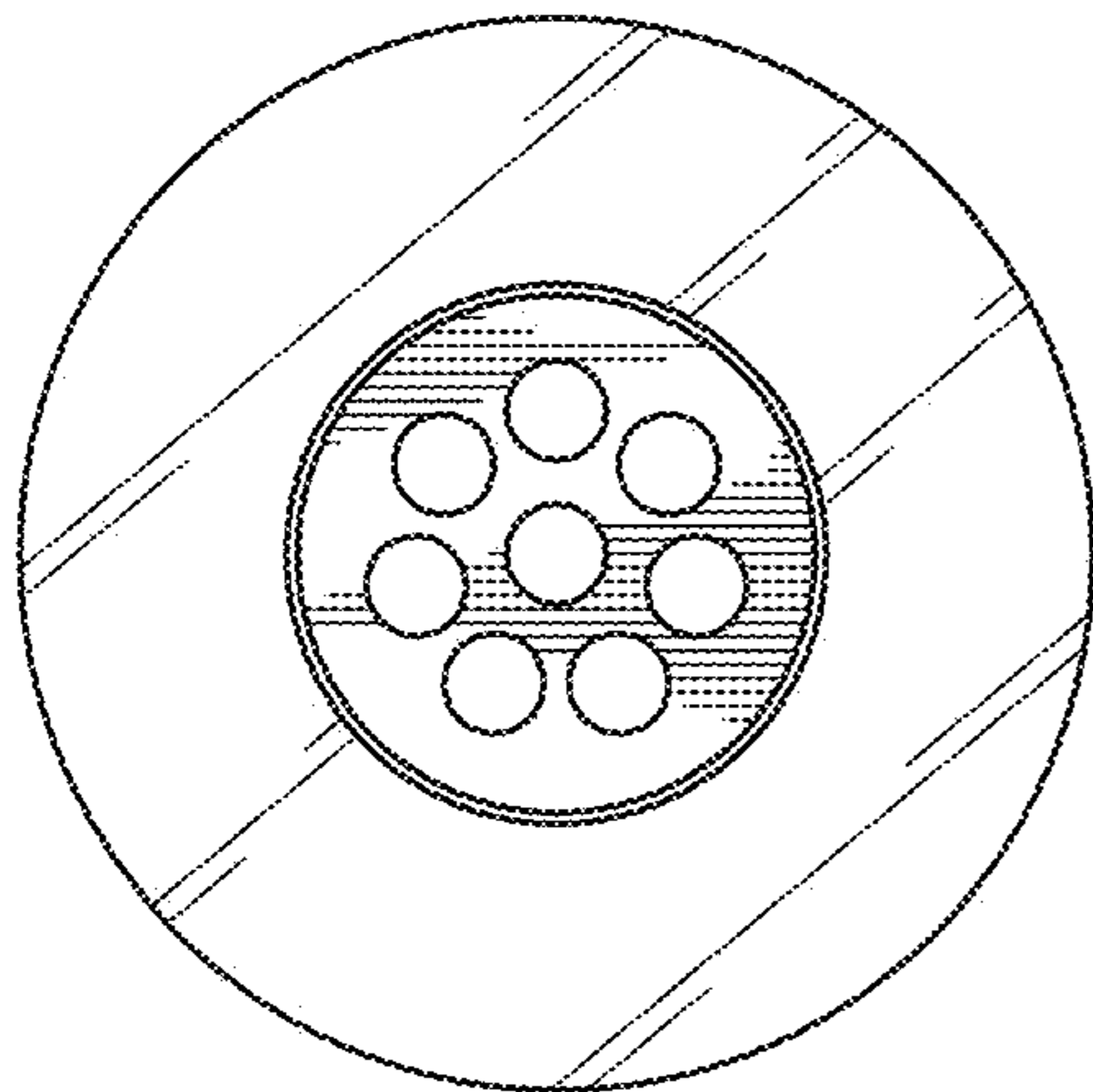
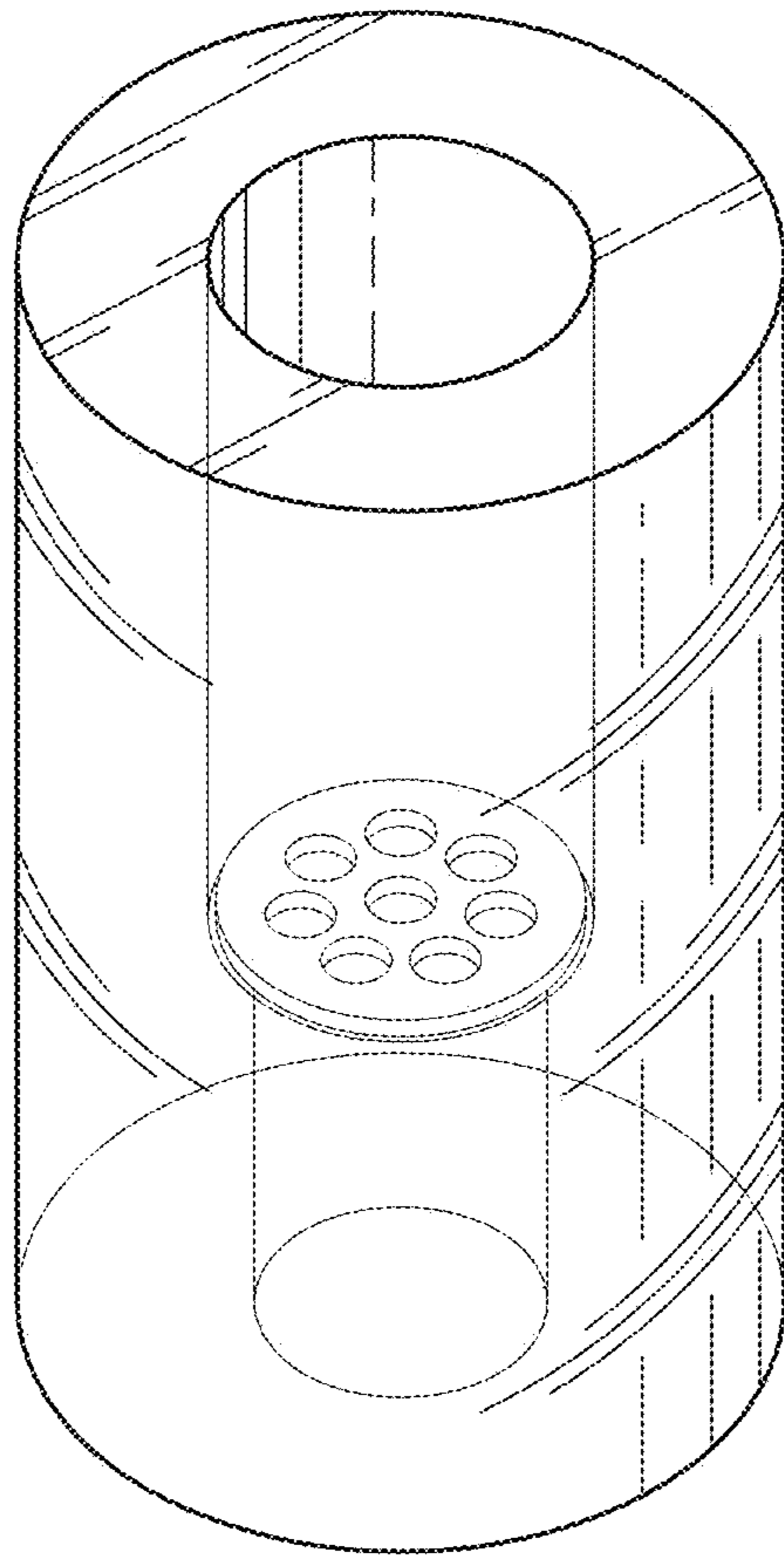


FIG. 2

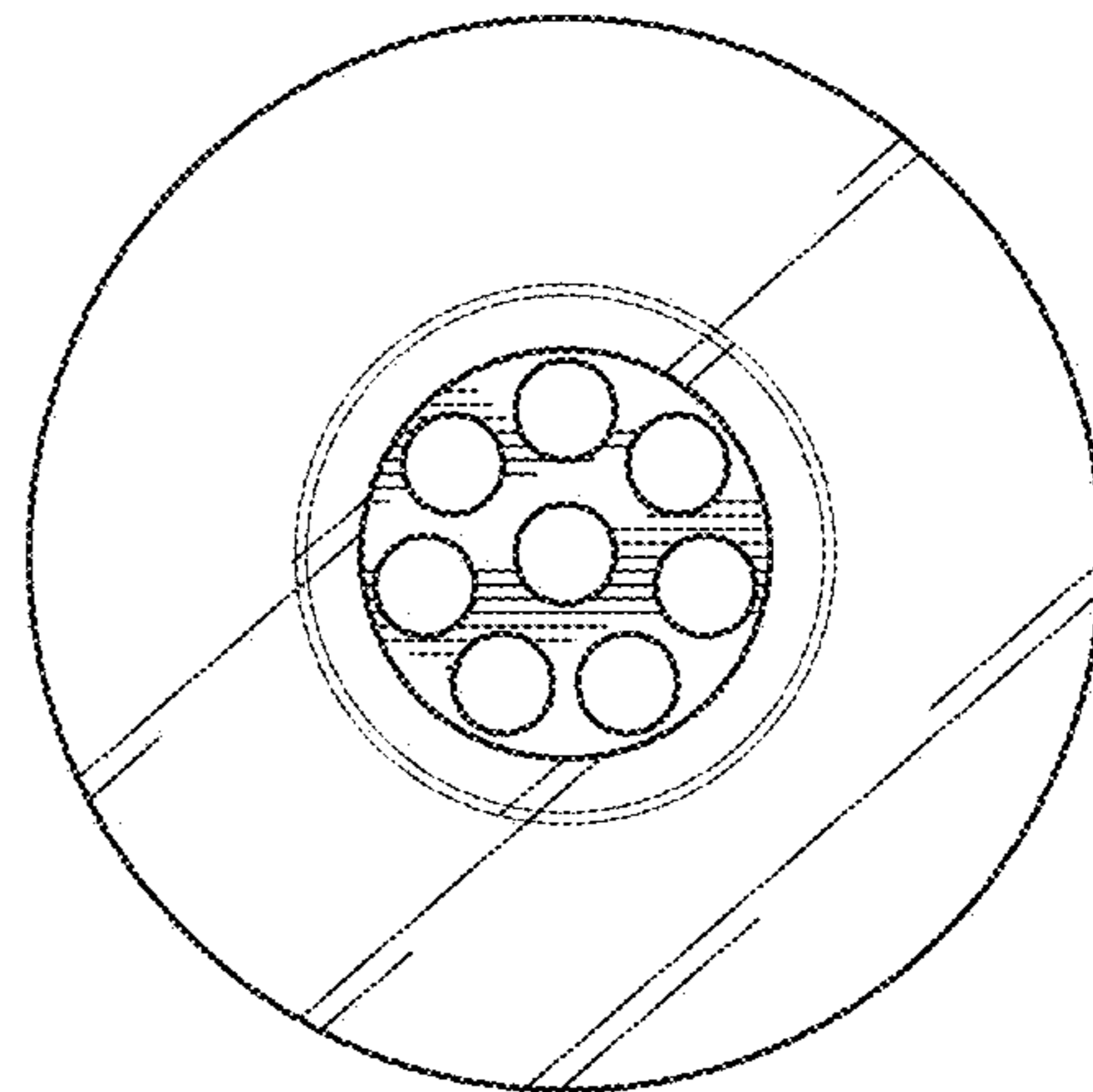


FIG. 3

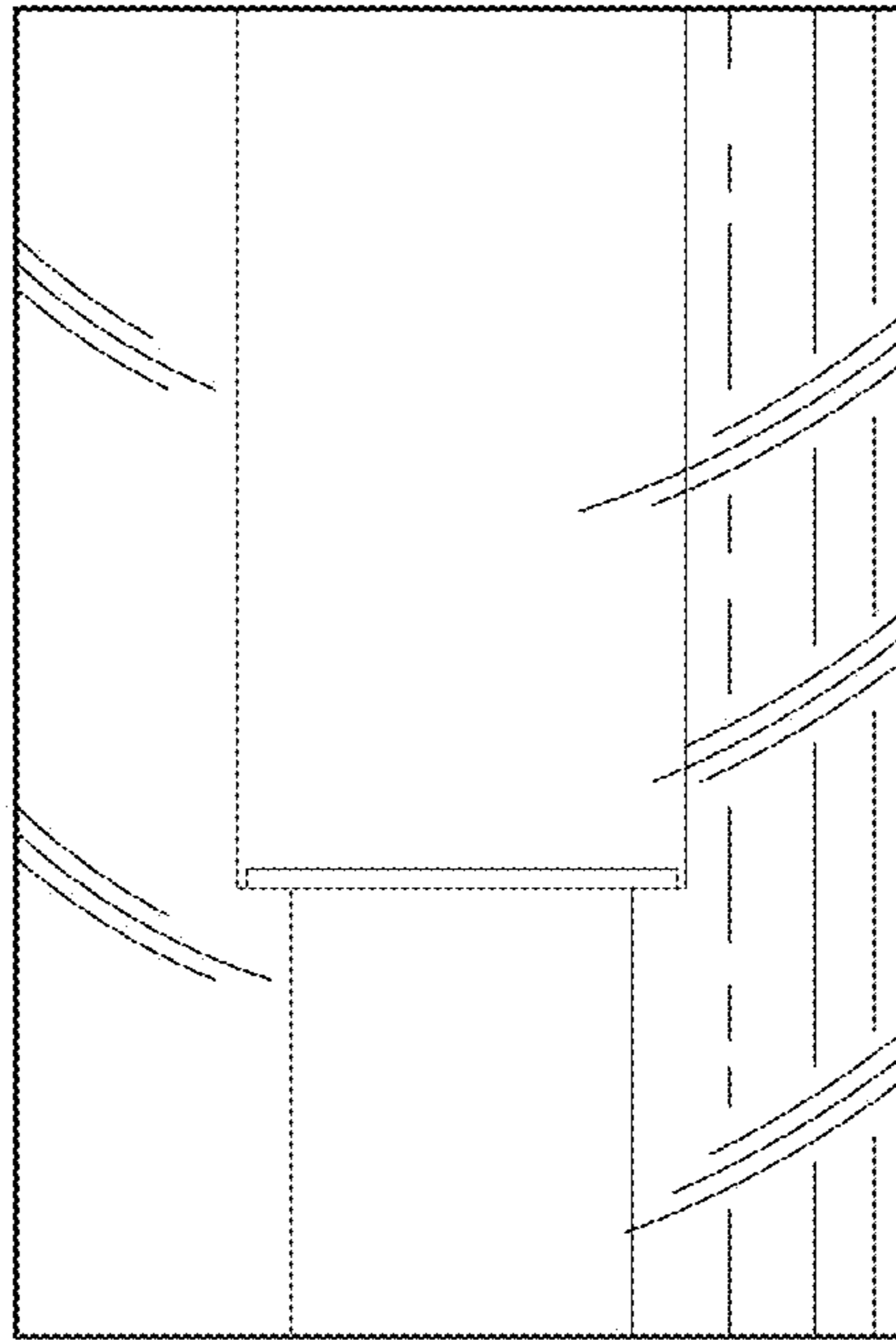


FIG. 4

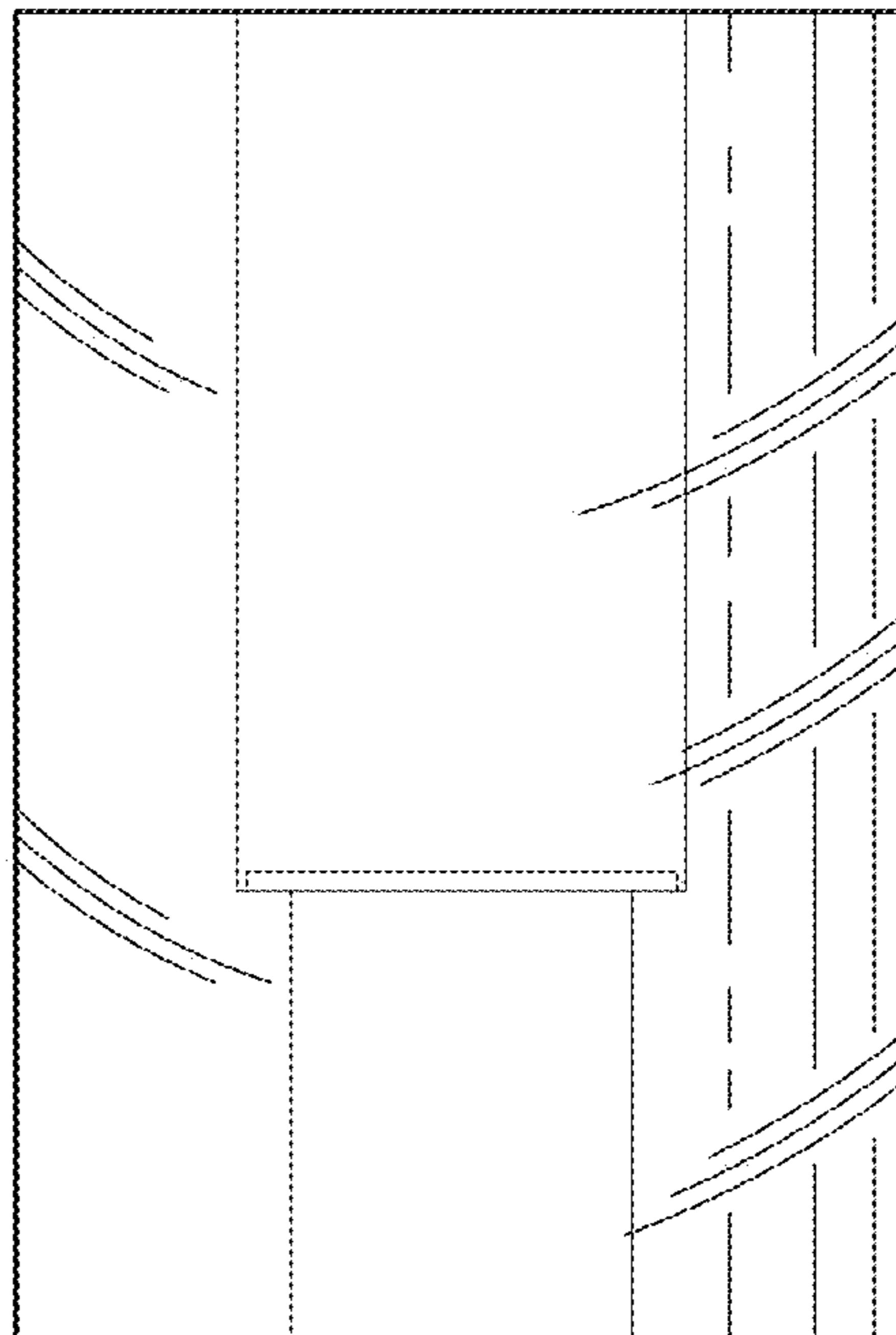


FIG. 5

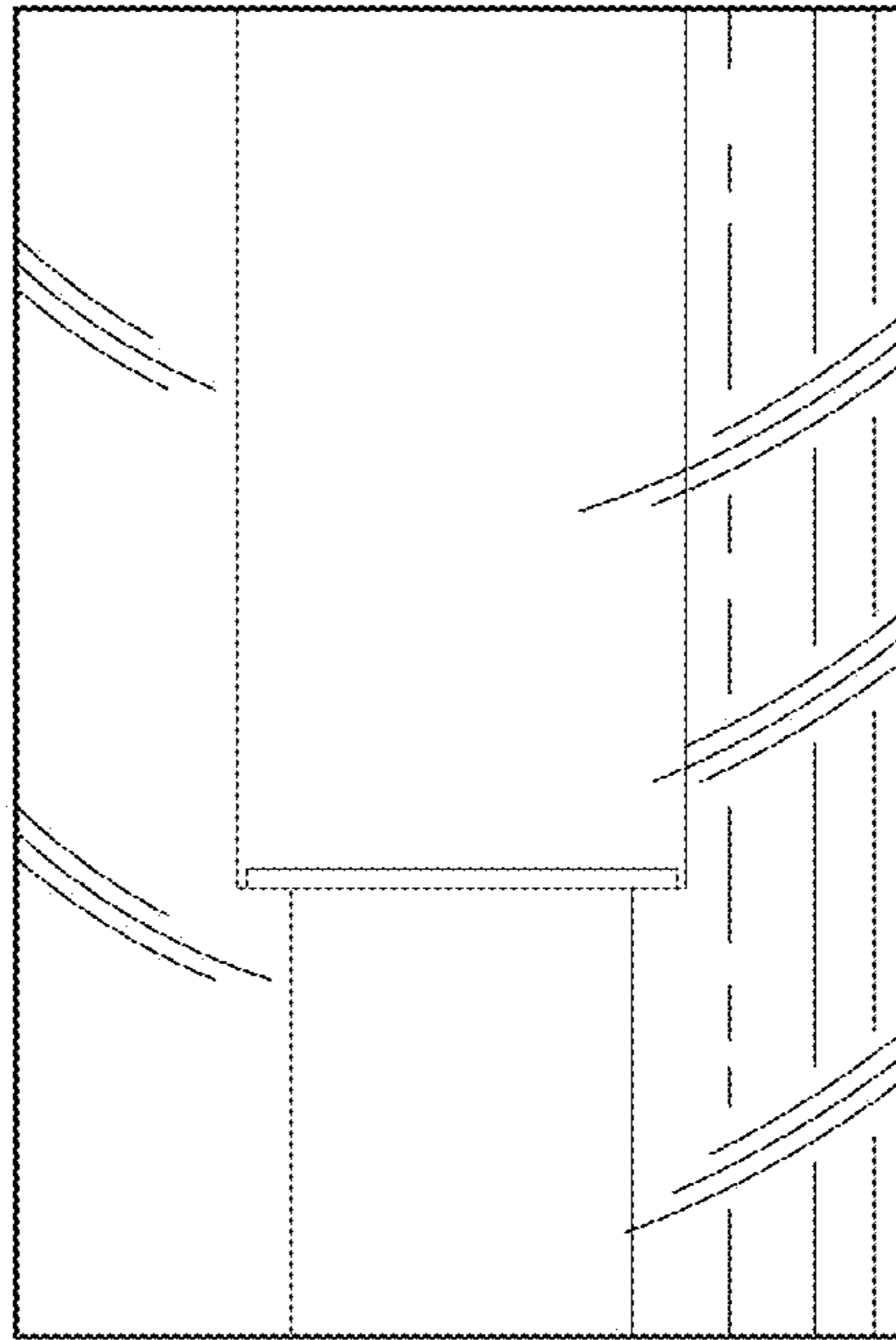


FIG. 6

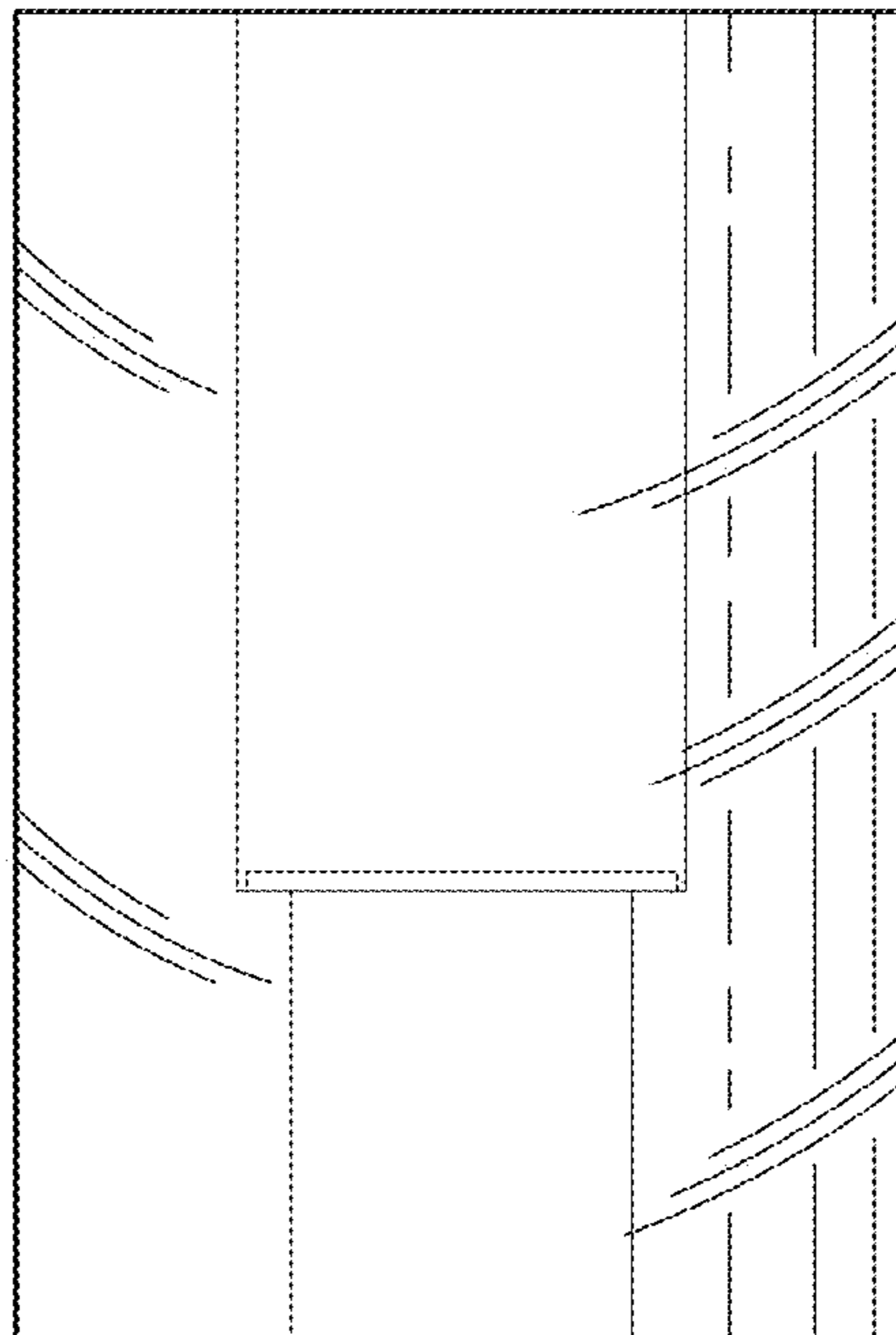


FIG. 7