



US0D1013326S

(12) **United States Design Patent**
Ambelang

(10) **Patent No.: US D1,013,326 S**
(45) **Date of Patent: ** Feb. 6, 2024**

(54) **SHIRT AND UNDERWEAR COMBINATION**

(71) Applicant: **Bryce Ambelang**, Addison, TX (US)

(72) Inventor: **Bryce Ambelang**, Addison, TX (US)

(**) Term: **15 Years**

(21) Appl. No.: **29/770,398**

(22) Filed: **Feb. 11, 2021**

(51) **LOC (14) Cl.** **02-01**

(52) **U.S. Cl.**

USPC **D2/714; D2/713**

(58) **Field of Classification Search**

USPC D2/700, 702, 704, 705, 712, 713, 714,
D2/715, 716, 728, 731, 732, 738, 742,
D2/743, 748; D24/126

CPC A41C 1/00; A41C 1/003; A41C 1/006;
A41C 1/02; A41D 1/06; A41D 1/067;
A41D 1/08; A41D 1/082; A41D 1/089;
A41D 7/00; A41D 7/001; A41D 7/005;
A41B 9/00; A41B 9/01; A41B 9/02;
A41B 9/004; A41B 9/005; A41B 9/007;
A41B 9/008; A41B 9/12; A41B 9/14

See application file for complete search history.

(56) **References Cited**

U.S. PATENT DOCUMENTS

959,611 A 5/1910 Rosen
1,975,285 A * 10/1934 Pearse A41B 1/00
2/128
2,104,487 A 1/1938 Frederick
2,109,867 A 3/1938 Pedlar
2,130,690 A 9/1938 Lemoine
2,142,479 A 1/1939 Rosenfelder

(Continued)

FOREIGN PATENT DOCUMENTS

CA 2545122 A1 9/2005
CN 303598853 * 3/2016

(Continued)

OTHER PUBLICATIONS

Eberjey Gisele Classic Women's Pajama Set, First available: Jan. 29, 2019 [online], [visited: Oct. 13, 2022] Available from the internet URL: https://www.amazon.com/dp/B077T583TR?ref_=cm_sw_r_cp_ud_dp_C8YSQ6XSC7JDE5N44TB8&th=1 (Year: 2019).*

(Continued)

Primary Examiner — T Chase Nelson

Assistant Examiner — Jeff Lenard D Torres

(74) *Attorney, Agent, or Firm* — Banner & Witcoff, Ltd.

(57) **CLAIM**

The ornamental design for a shirt and underwear combination, as shown and described.

DESCRIPTION

FIG. 1 is a front perspective view of a shirt and underwear combination with the bottom portion of the shirt upwards showing my new design;

FIG. 2 is a front view thereof;

FIG. 3 is a rear view thereof;

FIG. 4 is a right side view thereof;

FIG. 5 is a left side view thereof;

FIG. 6 is a top view thereof;

FIG. 7 is a bottom view thereof;

FIG. 8 is a front perspective view of a shirt and underwear combination of FIGS. 1-7 shown with the bottom portion of the shirt down;

FIG. 9 is a front view thereof;

FIG. 10 is a rear view thereof;

FIG. 11 is a right side view thereof;

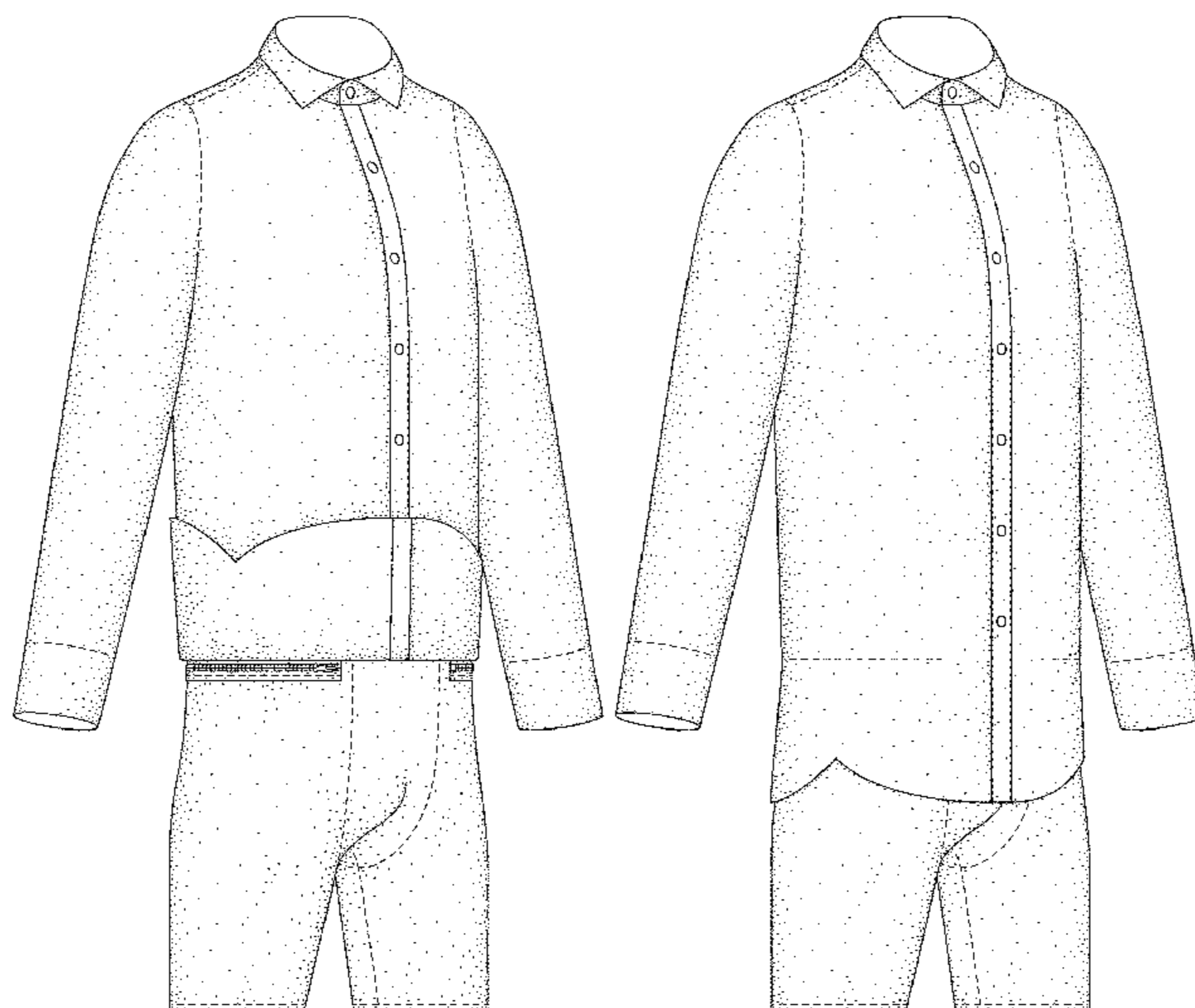
FIG. 12 is a left side view thereof;

FIG. 13 is a top view thereof; and,

FIG. 14 is a bottom view thereof.

The even-length broken lines represent stitching that forms no part of the claimed design.

1 Claim, 14 Drawing Sheets



(56)

References Cited

U.S. PATENT DOCUMENTS

2,164,281 A 6/1939 McDonald
 2,164,683 A 7/1939 Frederick
 2,269,120 A * 1/1942 Mccarthy A41B 9/02
 2/234
 2,274,382 A 2/1942 Richman
 2,319,138 A 5/1943 Kneibler
 2,559,953 A 7/1951 Evans
 2,562,234 A 7/1951 Gottschalk
 2,636,287 A * 4/1953 Heilbronner A41D 10/00
 D2/714
 2,849,716 A 9/1958 Kerson
 D214,011 S 5/1969 Johnson
 4,077,066 A * 3/1978 Weiss A41B 3/00
 2/129
 4,805,243 A * 2/1989 Gibbens A41D 1/084
 2/253
 5,210,882 A * 5/1993 Moretz D04B 21/14
 2/403
 5,568,779 A * 10/1996 Wong A41D 27/24
 2/125
 5,689,836 A * 11/1997 Fee A41D 13/0593
 2/22
 5,802,612 A 9/1998 Hosking
 6,074,274 A * 6/2000 Pyatt A41C 1/003
 450/95
 D431,345 S * 10/2000 Newkirk, Jr. D2/742
 6,185,745 B1 * 2/2001 Alger A41B 1/06
 24/304
 6,223,352 B1 5/2001 Watlington
 6,234,117 B1 * 5/2001 Spatt A01K 13/006
 54/79.2
 6,349,413 B1 * 2/2002 Rose A41D 1/06
 2/269
 6,401,250 B1 6/2002 McNabb
 6,848,121 B1 * 2/2005 Halid A61F 13/66
 2/403
 D553,826 S 10/2007 Austin
 D635,335 S * 4/2011 Eckman D2/849
 7,962,969 B1 * 6/2011 Blakely A41B 7/02
 2/123
 7,992,222 B1 * 8/2011 Behrens A41B 1/00
 2/96
 D687,617 S 8/2013 Lacour-Phillippi
 D702,018 S 4/2014 Ferraro
 D735,444 S * 8/2015 Harris D2/712
 D756,069 S 5/2016 Astin
 D759,345 S 6/2016 Astin
 D783,235 S * 4/2017 Hakim D2/849
 D783,938 S 4/2017 Todd
 D794,904 S * 8/2017 Johnston D2/731
 9,750,285 B2 * 9/2017 Davis A41B 3/06
 D798,530 S 10/2017 Cook
 D834,288 S * 11/2018 Koh D2/840
 D848,110 S * 5/2019 Harris A41B 9/026
 D2/712
 D853,684 S * 7/2019 Gillen D2/728
 D864,523 S * 10/2019 Diamond D2/712
 10,542,782 B2 * 1/2020 Shupe A41B 9/023
 D882,211 S * 4/2020 Lines D2/840
 D886,412 S 6/2020 Harris
 D893,831 S 8/2020 Perry
 10,834,974 B2 * 11/2020 Bigney A41B 9/023
 10,888,470 B2 * 1/2021 Riha-Scott A61F 13/505
 D913,632 S * 3/2021 Franco D2/712
 D916,429 S * 4/2021 Tanenbaum D2/712
 10,986,877 B2 4/2021 Kimel
 D922,730 S * 6/2021 Bae D2/712
 11,234,467 B1 2/2022 Olsgard et al.
 D946,237 S 3/2022 Calamia
 D946,865 S 3/2022 Calamia
 D953,694 S 6/2022 Zhang
 D959,792 S 8/2022 Bae
 D963,990 S * 9/2022 Bae D2/716
 D963,991 S * 9/2022 Bae D2/716

D973,310 S * 12/2022 Palanacki D2/840
 11,553,737 B1 * 1/2023 Hong A41B 9/023
 D987,936 S * 6/2023 Bush D2/731
 D988,640 S * 6/2023 Ambelang D2/849
 D996,775 S * 8/2023 Gerosa D2/712
 D998,284 S * 9/2023 McCassy, V D2/712
 2006/0010559 A1 1/2006 Hamlet
 2009/0192433 A1 7/2009 Wells et al.
 2012/0071849 A1 * 3/2012 Kumar A61F 13/4906
 2/400
 2012/0167279 A1 * 7/2012 Bigney A41B 9/02
 2/401
 2013/0283494 A1 * 10/2013 Vaughn A41D 1/14
 2/69
 2015/0026870 A1 1/2015 Flemma
 2015/0026990 A1 1/2015 Ellis et al.
 2015/0290049 A1 * 10/2015 Riha-Scott A41B 9/001
 604/387
 2016/0135509 A1 * 5/2016 Clement A41B 9/004
 2/400
 2016/0324238 A1 11/2016 Tran
 2017/0196283 A1 7/2017 Hart
 2017/0325519 A1 11/2017 Willingham
 2017/0325530 A1 11/2017 Etheridge et al.
 2018/0310633 A1 * 11/2018 Harris A41B 9/026
 2019/0116889 A1 * 4/2019 Kimel A41B 9/026
 2019/0320731 A1 10/2019 Singh
 2019/0387809 A1 12/2019 Perry et al.
 2020/0221802 A1 7/2020 They
 2022/0000201 A1 1/2022 Torano et al.
 2022/0248773 A1 * 8/2022 Ambelang A41F 17/00
 2022/0346461 A1 * 11/2022 Wittrock A41B 9/02
 2022/0408847 A1 * 12/2022 Mendoza A41B 9/026
 2023/0218017 A1 * 7/2023 Harrison A41D 1/21
 2/228

FOREIGN PATENT DOCUMENTS

CN 307313595 * 5/2022
 EM 008285399-0001 * 11/2020
 FR 2559652 A1 8/1985
 GB 169135 A 7/1937
 GB 6191817 2/2022
 JP D1468076 5/2013
 JP D1720990 * 7/2022
 KR 301093764 2/2021

OTHER PUBLICATIONS

KICKEE Women's Solid Long Sleeve Collared Pajama Top with Shorts, First available: Nov. 16, 2021 [online], [visited: Oct. 13, 2022] Available from the internet URL: https://www.amazon.com/dp/B09MZ48NM7?ref_=cm_sw_r_cp_ud_dp_G58WPGKW3MKP3PT77FJ8+2%2F3&th=1 (Year: 2021).*

Anthem Athletics Hyperflex Workout Shorts, First available: Jul. 16, 2020 [online], [visited: Apr. 4, 2023] Available from the internet URL: https://www.amazon.com/dp/B07TMNJLV8?ref_=cm_sw_r_cp_ud_dp_DYZZMQD4HK9QA1POCPXP (Year: 2020).*

Ekouaer Womens 2 Piece Satin Pajama Set, First available: Jan. 13, 2023 [online], [visited: Apr. 4, 2023] Available from the internet URL: https://www.amazon.com/dp/BOBS8VNJV7?ref_=cm_sw_r_cp_ud_dp_G6DRA6K1KBHPN5MDGCG3 (Year: 2023).*

LuexBox 4 Packs Pocket Underwear, First available: Jan. 16, 2019 [online], [visited: Sep. 12, 2023] Available from the internet URL: https://www.amazon.com/dp/BOB6HPDXSZ?_encoding=UTF8&ref_=cm_sw_r_cp_ud_dp_KW963DM2ZMPVCZS728P6&th=1&psc=1 (Year: 2019).*

2 Packs Men's Boxer Briefs Secret Hidden Pocket, First available: Nov. 7, 2020 [online], [visited: Sep. 21, 2022] Available from the internet URL: https://www.amazon.com/dp/B08MXNYY36?ref_=cm_sw_r_cp_ud_dp_NARSWDWQPCY05G1ASNOK&th=1 (Year: 2020).

Stance Men's Staple Underwear, First available: Oct. 26, 2020 [online], [visited: Sep. 21, 2022], Available from the internet URL:

(56)

References Cited

OTHER PUBLICATIONS

https://www.amazon.com/dp/B0142K6F70?ref_=cm_sw_r_cp_ud_dp_9HT7HHDMPH42MH_N1BOK7&th=1 (Year: 2020).

Oct. 17, 2022—(US) Final Office Action—U.S. Appl. No. 17/174,114. Iniiim Men's Long Sleeve Zipper Front Romper Shirt One-Piece Bowtie Leotard Bodysuit, announced Oct. 8, 2018 [online], [site visited Dec. 16, 2022]. Available from internet, URL: <<https://www.amazon.com/iiniim-Sleeve-One-Piece-Leotard-Bodysuit/dp/B07D3SGK2S/?th=1>> (Year: 2018).

Zip Tech® | Volcom Outerwear, announced Oct. 12, 2018 [online], [site visited Jan. 6, 2023]. Available from internet. URL: <<https://www.youtube.com/watch?v=izmOZN7iazU>> (Year: 2018).

Tommy John Presents: Tuck Hacks// Underwear Tuck, announced Sep. 28, 2018 [online], [site visited Jan. 5, 2023]. Available from internet, URL: <<https://www.youtube.com/watch?v=zQ-xXkuDchQ>> (Year: 2018).

Bambelang Shirt, announced Sep. 14, 2020 [online], [site visited Jan. 5, 2023]. Available from internet, URL: <https://www.instagram.com/p/CFIjmjnhISA/?utm_source=ig_web_button_share_sheet> (Year: 2020).

* cited by examiner

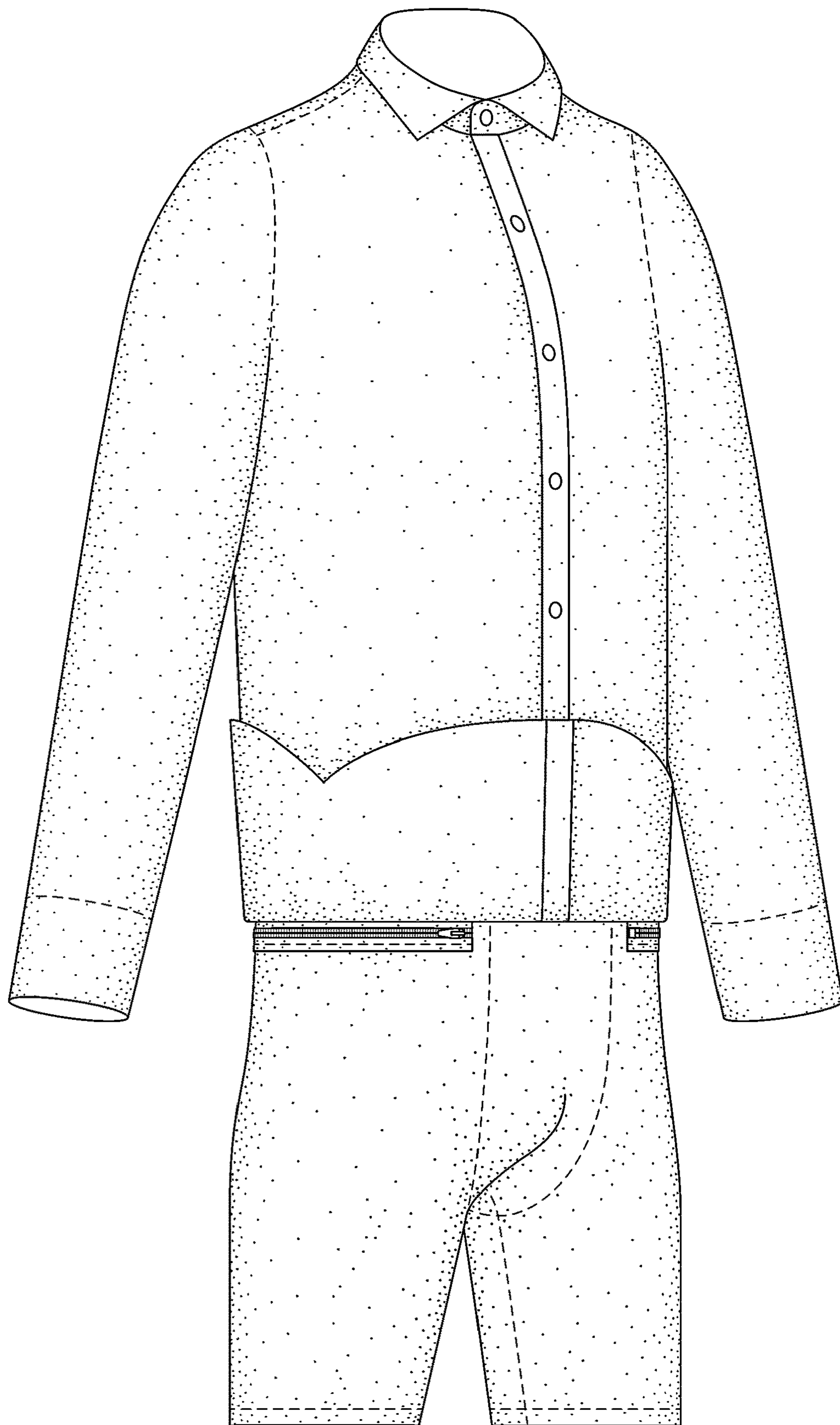


FIG. 1

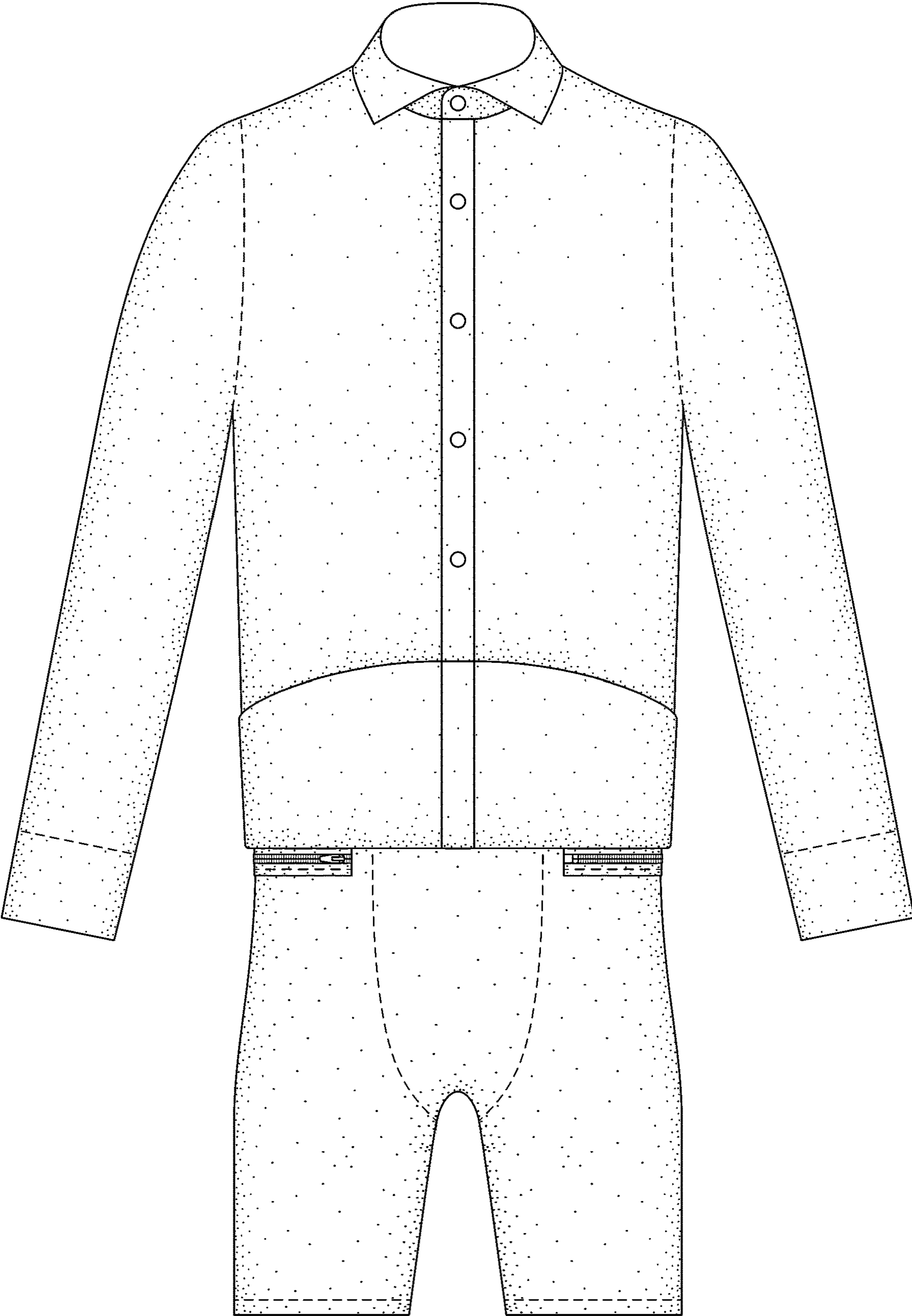


FIG. 2

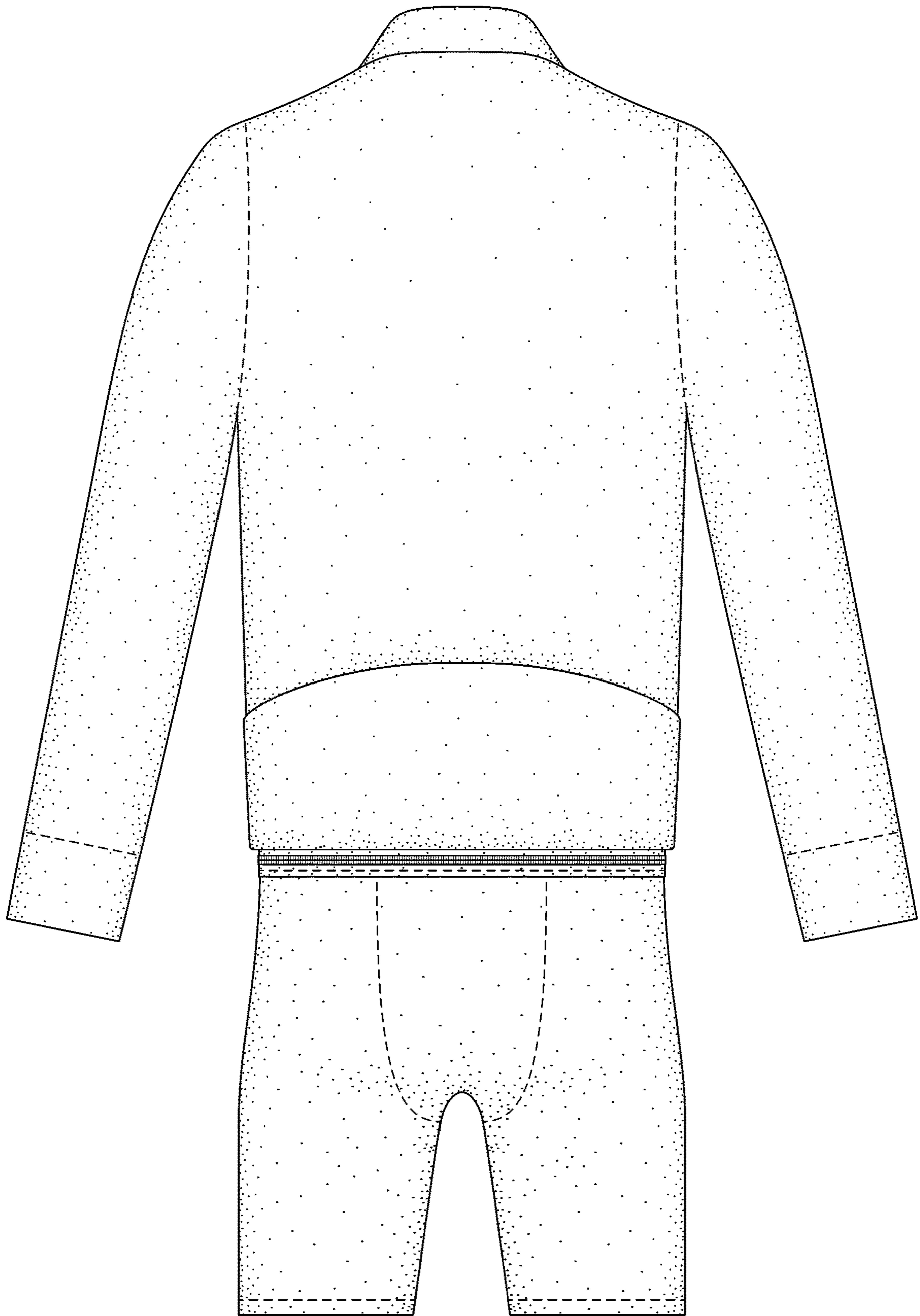


FIG. 3

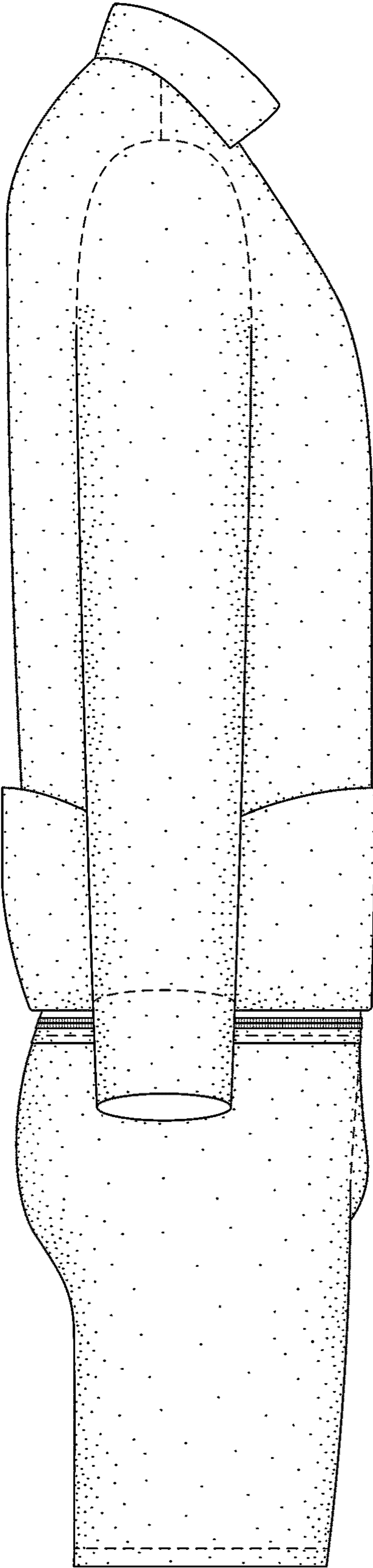


FIG. 4

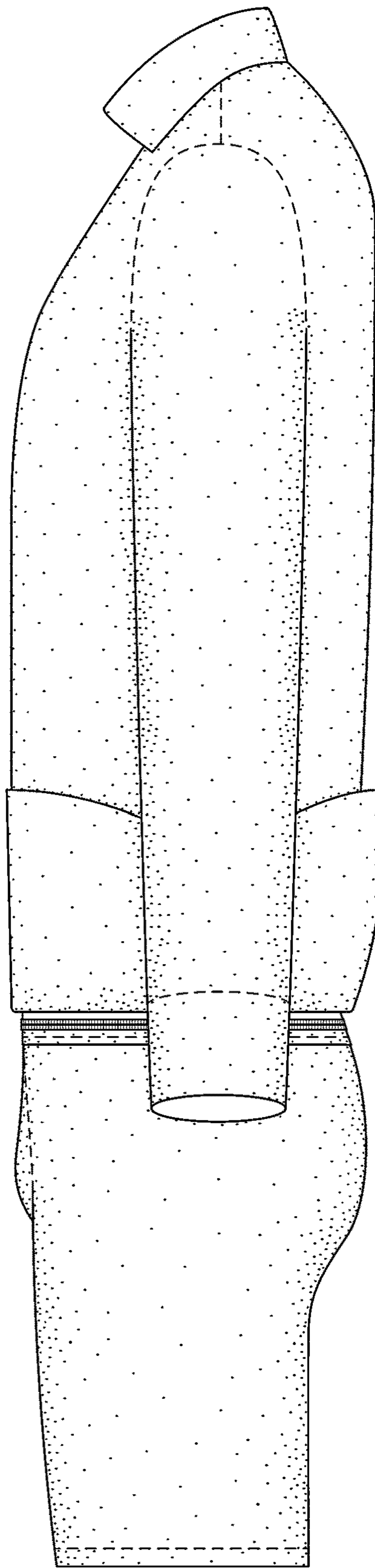


FIG. 5

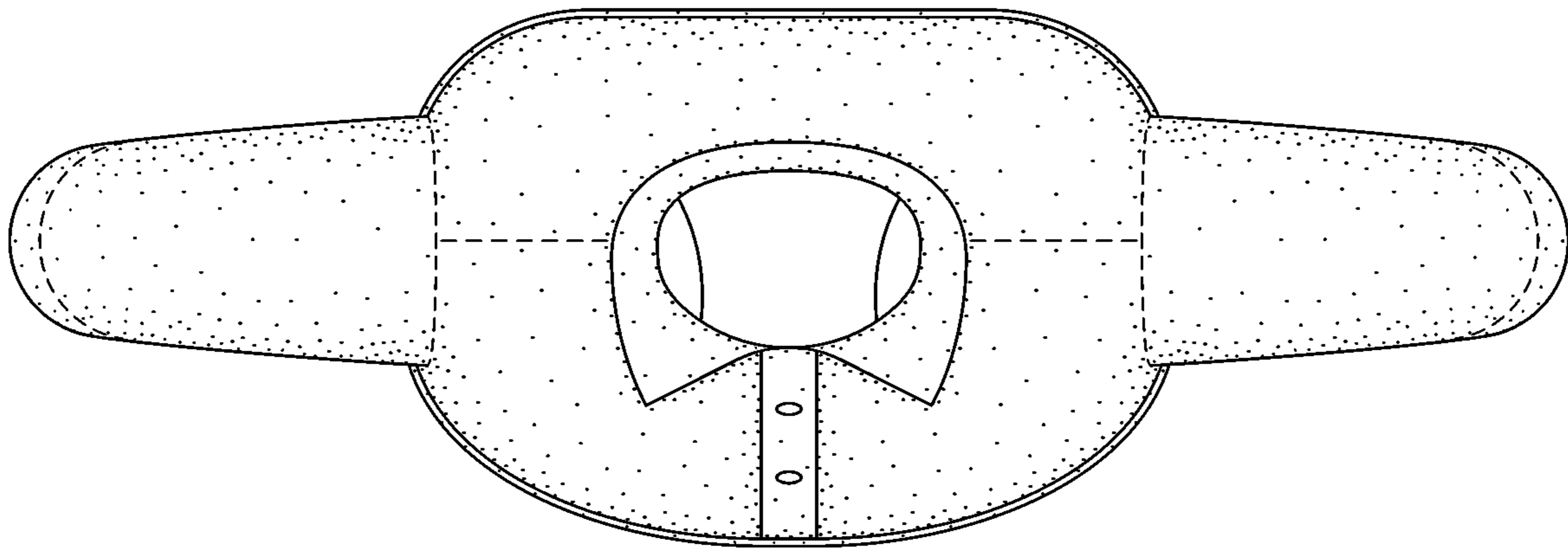


FIG. 6

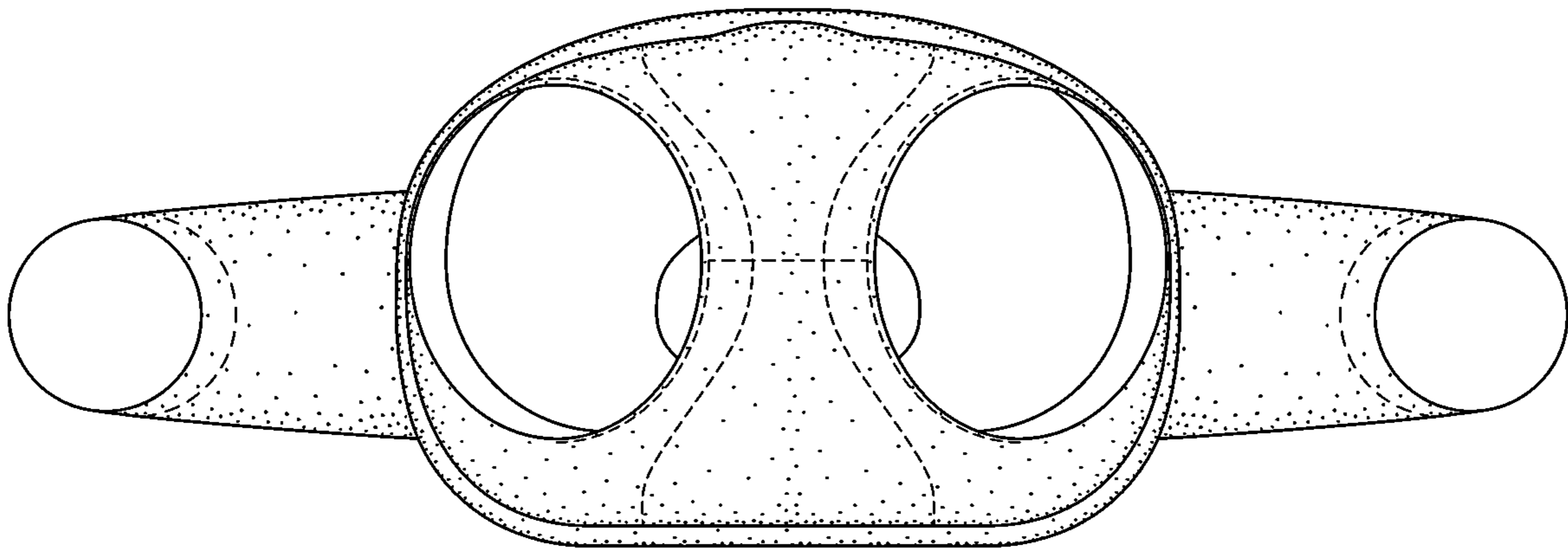


FIG. 7

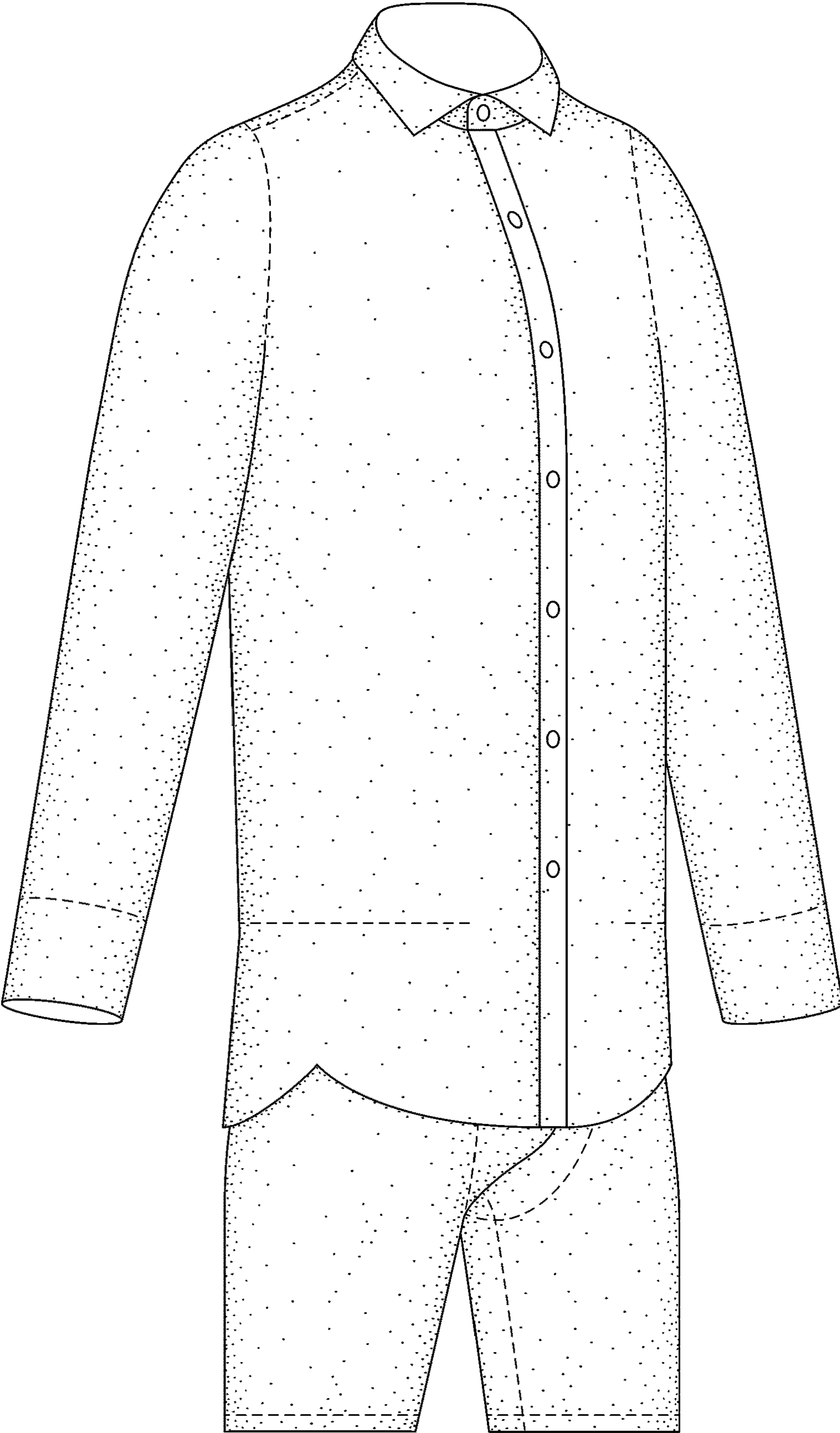


FIG. 8

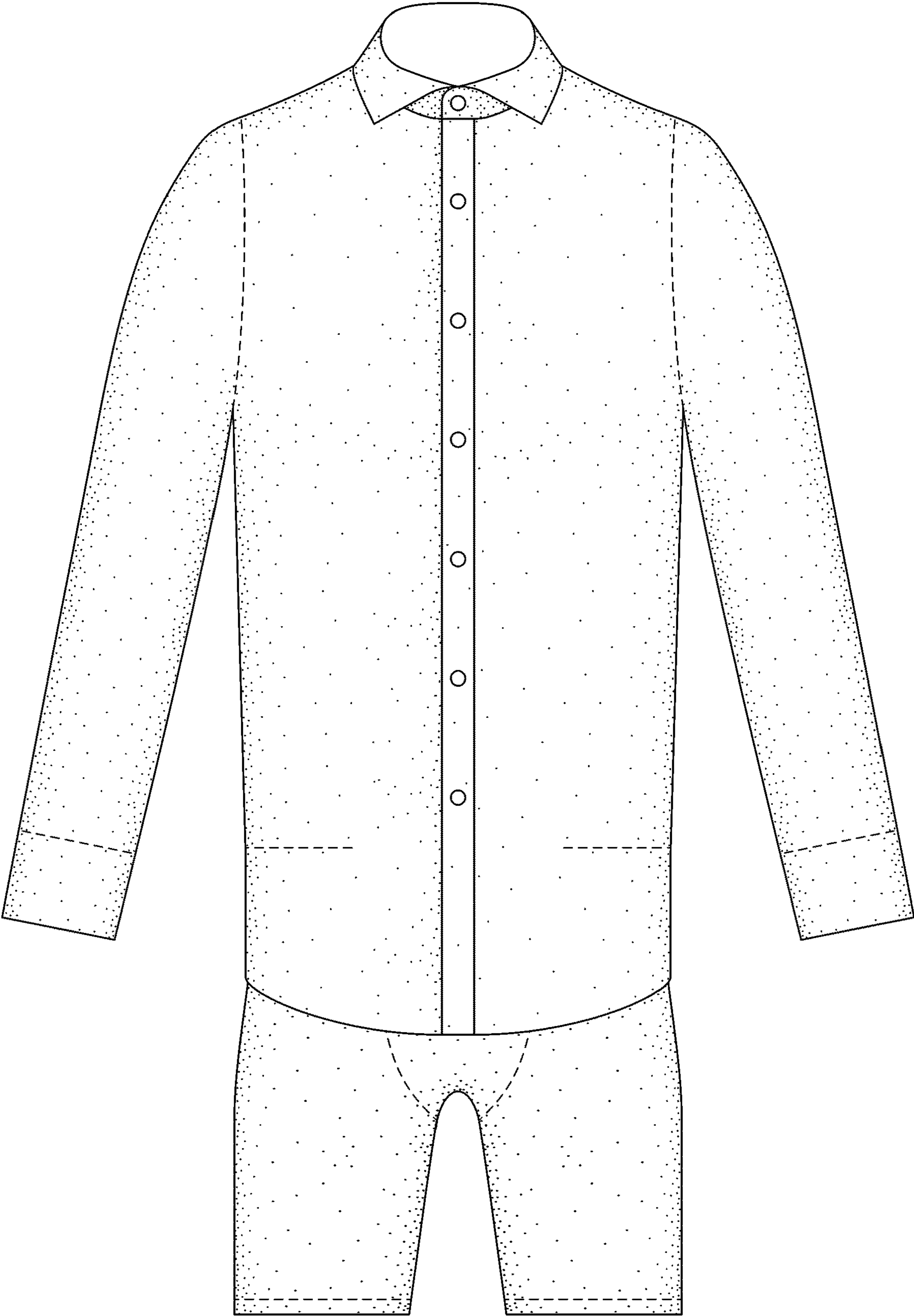


FIG. 9

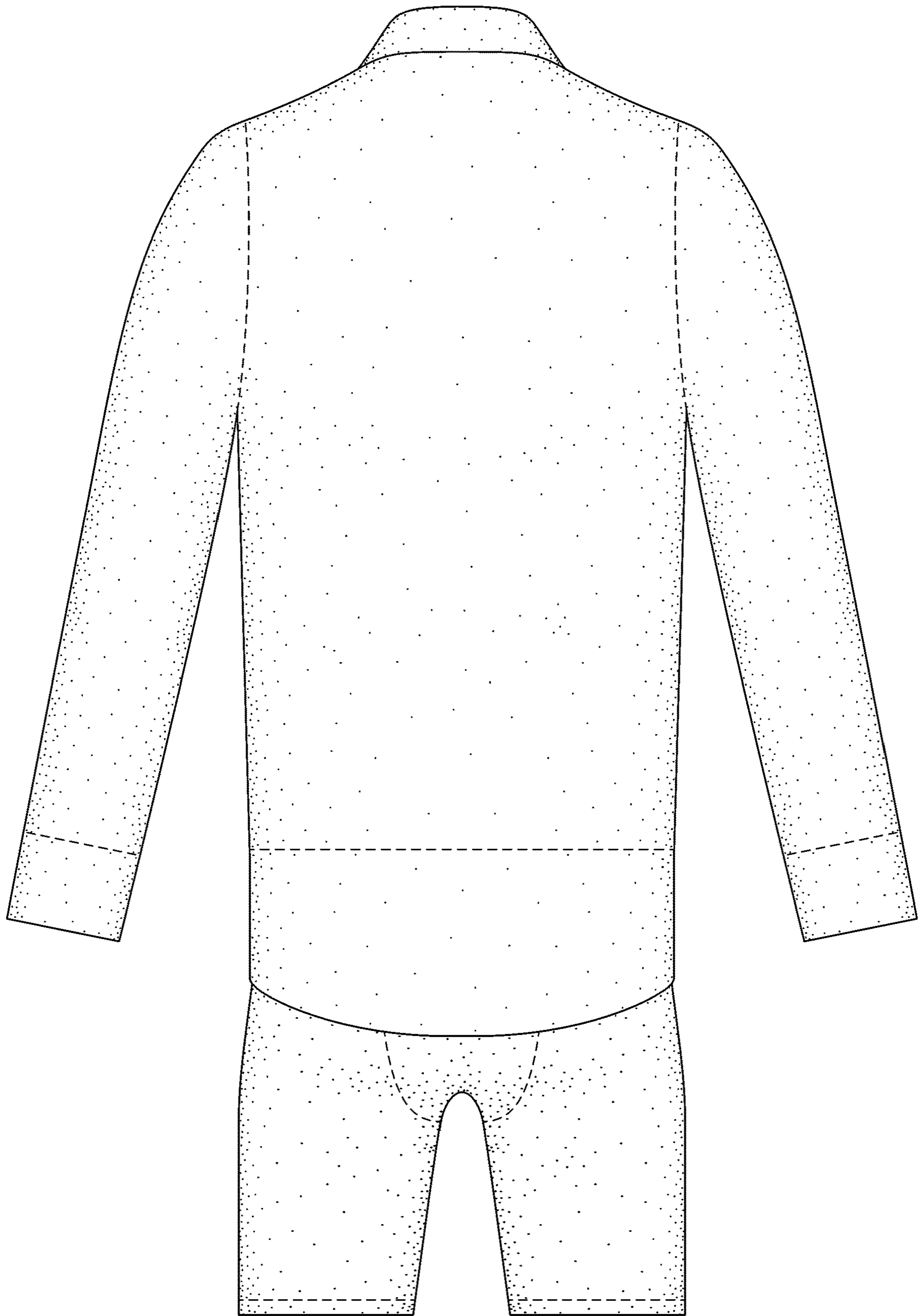


FIG. 10

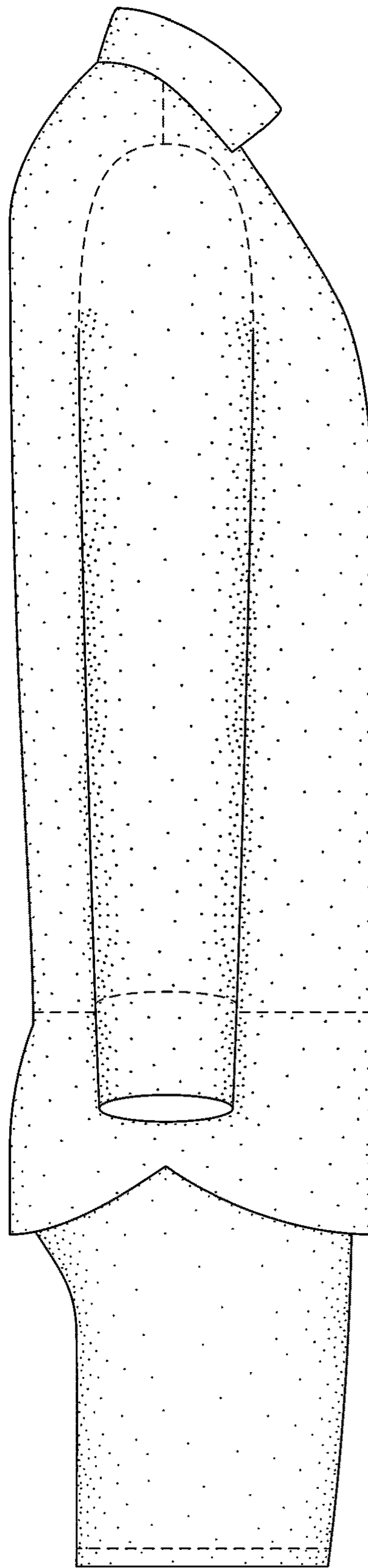


FIG. 11

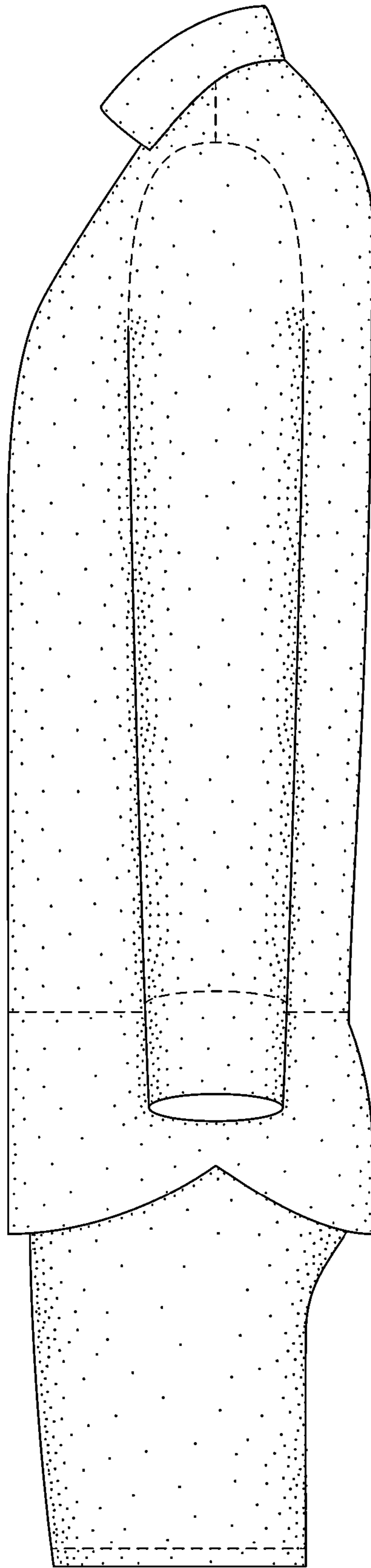


FIG. 12

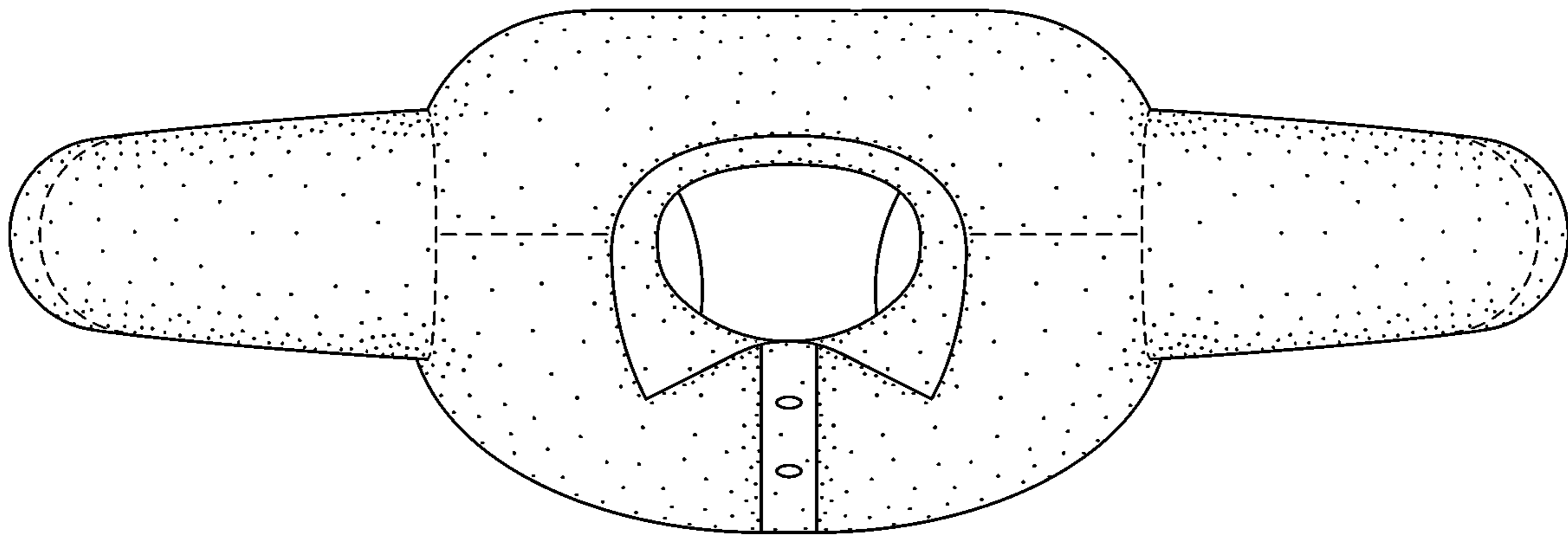


FIG. 13

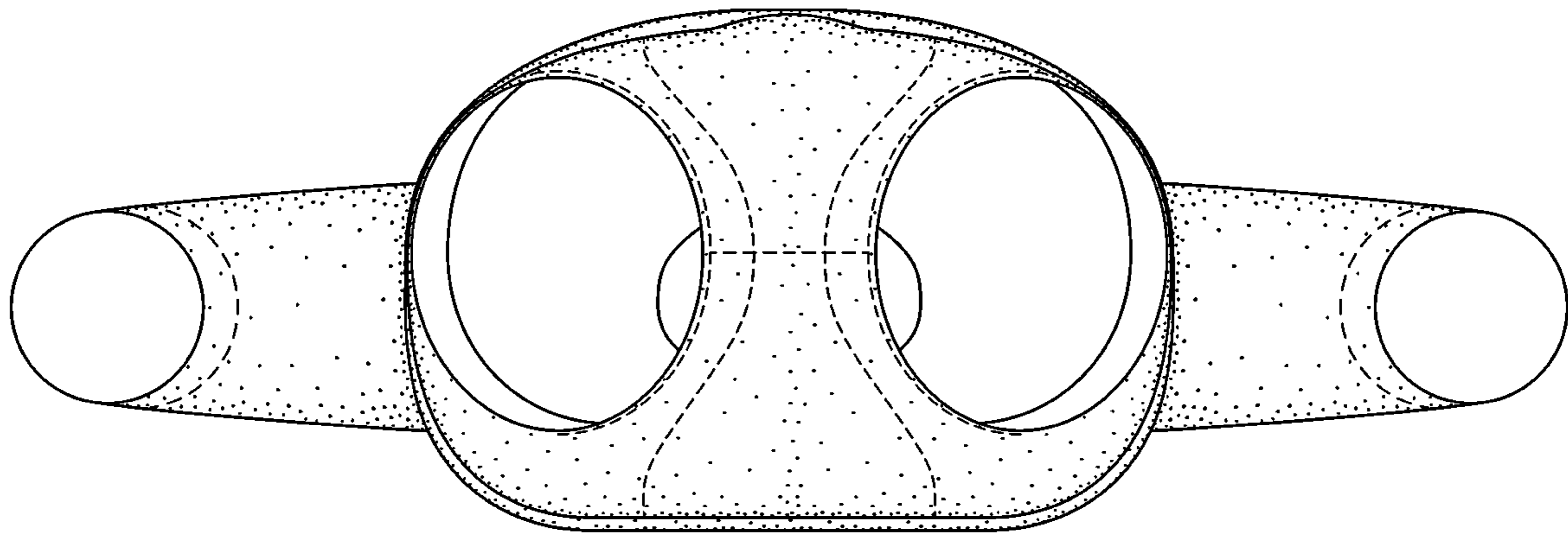


FIG. 14