



US0D1013306S

(12) **United States Design Patent**  
**Miyamoto**

(10) **Patent No.: US D1,013,306 S**  
(45) **Date of Patent: \*\* Jan. 30, 2024**

(54) **DRYER**  
(71) Applicant: **Iris Ohyama Inc.**, Sendai (JP)  
(72) Inventor: **Yuna Miyamoto**, Kakuda (JP)  
(73) Assignee: **Iris Ohyama Inc.**, Sendai (JP)  
(\*\*) Term: **15 Years**

(21) Appl. No.: **29/791,997**  
(22) Filed: **Feb. 24, 2022**

(30) **Foreign Application Priority Data**

Aug. 30, 2021 (JP) ..... 2021-018668 D

(51) **LOC (14) Cl.** ..... **15-05**

(52) **U.S. Cl.**  
USPC ..... **D32/25**

(58) **Field of Classification Search**  
USPC ..... D15/199; D23/383; D28/12; D30/158,  
D30/199; D32/1, 6, 8, 15, 25  
CPC ..... A01G 20/47; A01K 13/001; A47K 10/48;  
A47L 5/14; A47L 9/08  
See application file for complete search history.

(56) **References Cited**

**U.S. PATENT DOCUMENTS**

D248,575 S \* 7/1978 Janssens ..... D28/12  
D292,237 S \* 10/1987 Rubin ..... D28/12  
D294,741 S \* 3/1988 Froidevaux ..... D28/12  
D304,096 S \* 10/1989 Nithardt ..... D28/12  
D305,464 S \* 1/1990 Rickard ..... D28/12  
D314,839 S \* 2/1991 Ho ..... D28/12  
D317,514 S \* 6/1991 Sasso ..... D28/12  
D347,708 S \* 6/1994 Wang ..... D28/12  
D353,018 S \* 11/1994 Froidevaux ..... D28/12  
9,247,690 B1 \* 2/2016 Awad ..... A01G 20/47  
D827,948 S \* 9/2018 Miyawaki ..... D32/1  
D827,949 S \* 9/2018 Miyawaki ..... D32/1  
D827,950 S \* 9/2018 Miyawaki ..... D32/1

D872,393 S \* 1/2020 Xiao ..... D15/199  
D879,275 S \* 3/2020 Mano ..... D23/359  
D881,489 S \* 4/2020 Miyawaki ..... D32/1  
D881,490 S \* 4/2020 Miyawaki ..... D32/1  
D881,491 S \* 4/2020 Miyawaki ..... D32/1  
(Continued)

**OTHER PUBLICATIONS**

Futon Dryer, posted Jun. 10, 2018 [online], [retrieved Jul. 27, 2023]. Retrieved from internet, <https://www.amazon.com/IRIS-OHYAMA-KARARIE-Domestic-products%E3%80%91%E3%80%90Ships/dp/B07D9CZGNR> (Year: 2018).\*

(Continued)

*Primary Examiner* — Khawaja Anwar  
*Assistant Examiner* — Taylor O Mortorff  
(74) *Attorney, Agent, or Firm* — Studebaker & Brackett PC

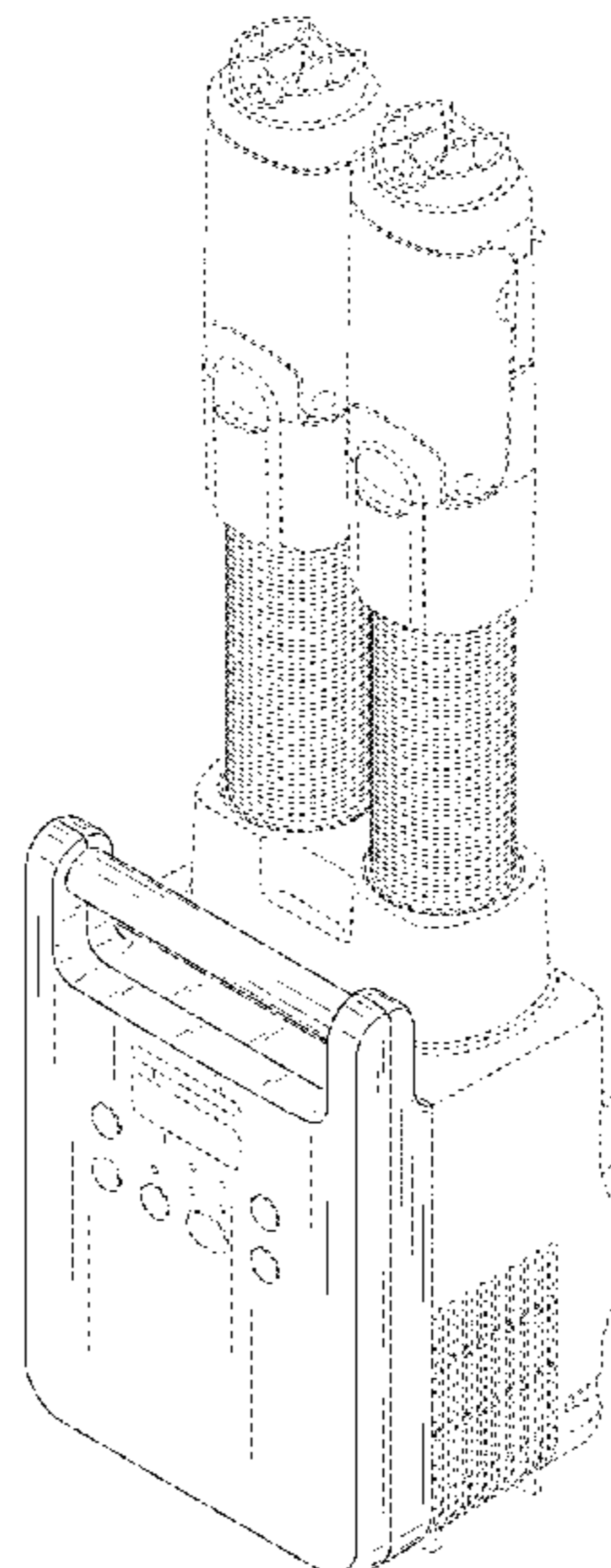
(57) **CLAIM**

The ornamental design for a dryer, as shown and described.

**DESCRIPTION**

FIG. 1 is a front, top and right-side perspective view of a dryer showing my new design;  
FIG. 2 is a rear, top and left-side perspective view thereof;  
FIG. 3 is a front view thereof;  
FIG. 4 is a rear view thereof;  
FIG. 5 is a top view thereof;  
FIG. 6 is a bottom view thereof;  
FIG. 7 is a right-side view thereof;  
FIG. 8 is a left-side view thereof; and,  
FIG. 9 is a perspective view showing an extendable hose in behind state in which a nozzle is stored.  
The dash-dash broken lines shown represent portions of the dryer and form no part of the claimed design. The dash-dot broken lines represent the bounds of the claimed design that form no part of the claimed design.

**1 Claim, 9 Drawing Sheets**



(56)

**References Cited**

## U.S. PATENT DOCUMENTS

D886,258 S \* 6/2020 Sakamoto ..... D23/332  
D886,973 S \* 6/2020 Miyawaki ..... D23/356  
D886,974 S \* 6/2020 Miyawaki ..... D23/356  
D907,181 S \* 1/2021 Miyawaki ..... D23/335  
D927,099 S \* 8/2021 Abe ..... D32/1  
D927,100 S \* 8/2021 Abe ..... D32/1  
2011/0296645 A1\* 12/2011 Webb ..... A01G 20/47  
15/257.01  
2013/0232808 A1\* 9/2013 Liu ..... A47K 10/48  
34/90

## OTHER PUBLICATIONS

Shoe Dryer, posted Jul. 9, 2020 [online], [retrieved Jul. 27, 2023].  
Retrieved from internet, <https://www.amazon.com/Kooder-dryer-Dryer-Drying-Eliminate/dp/B08CMHP8XV> (Year: 2020).\*

Futon Dryer, posted Jun. 10, 2018 [online], [retrieved Jul. 27, 2023].  
Retrieved from the internet, <https://www.amazon.com/IIS-OHYAMA-KARARIE-Domestic-products%E3%80%91%E3%80%90Ships/dp/B07D9CZG9R> (Year: 2018).\*

Shoe Dryer, posted Jul. 9, 2020 [online], [retrieved Jul. 27, 2023].  
Retrieved from the internet, <https://www.amazon.com/Kooder-dryer-Dryer-Drying-Eliminate/dp/B08CMHP8XV> (Year: 2020).\*

\* cited by examiner

FIG. 1

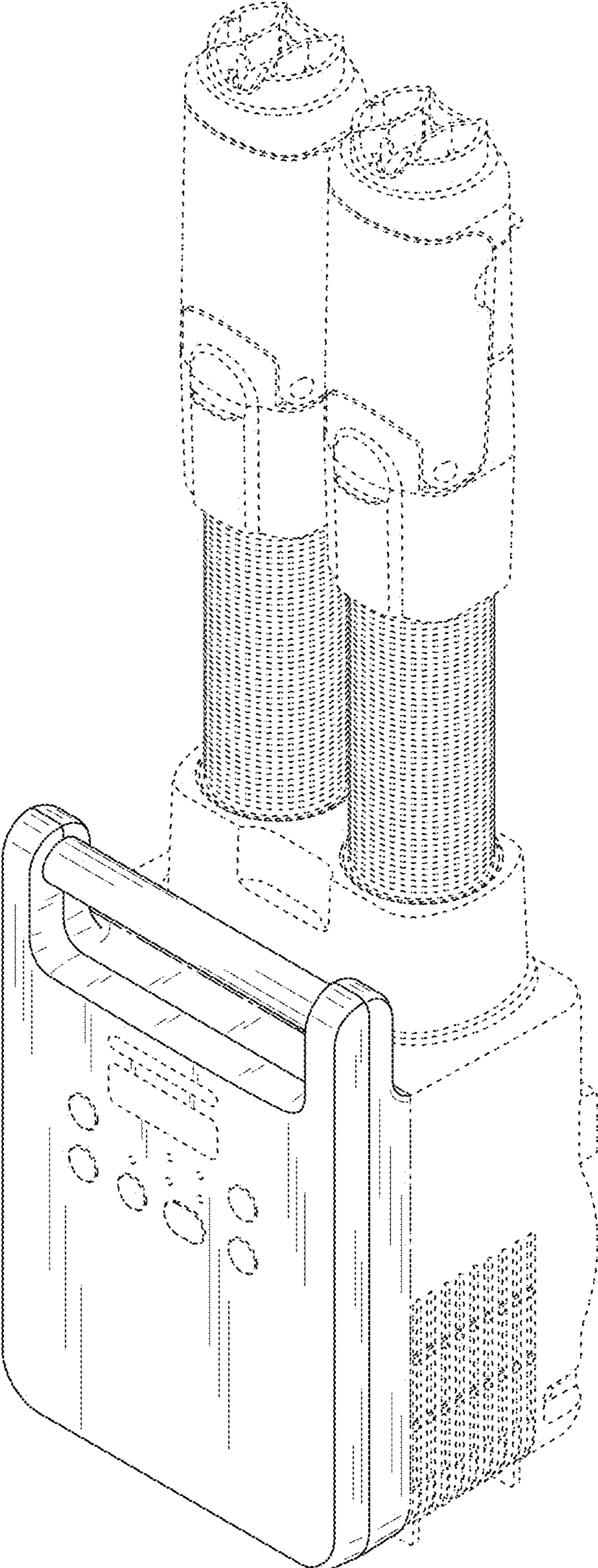


FIG.2

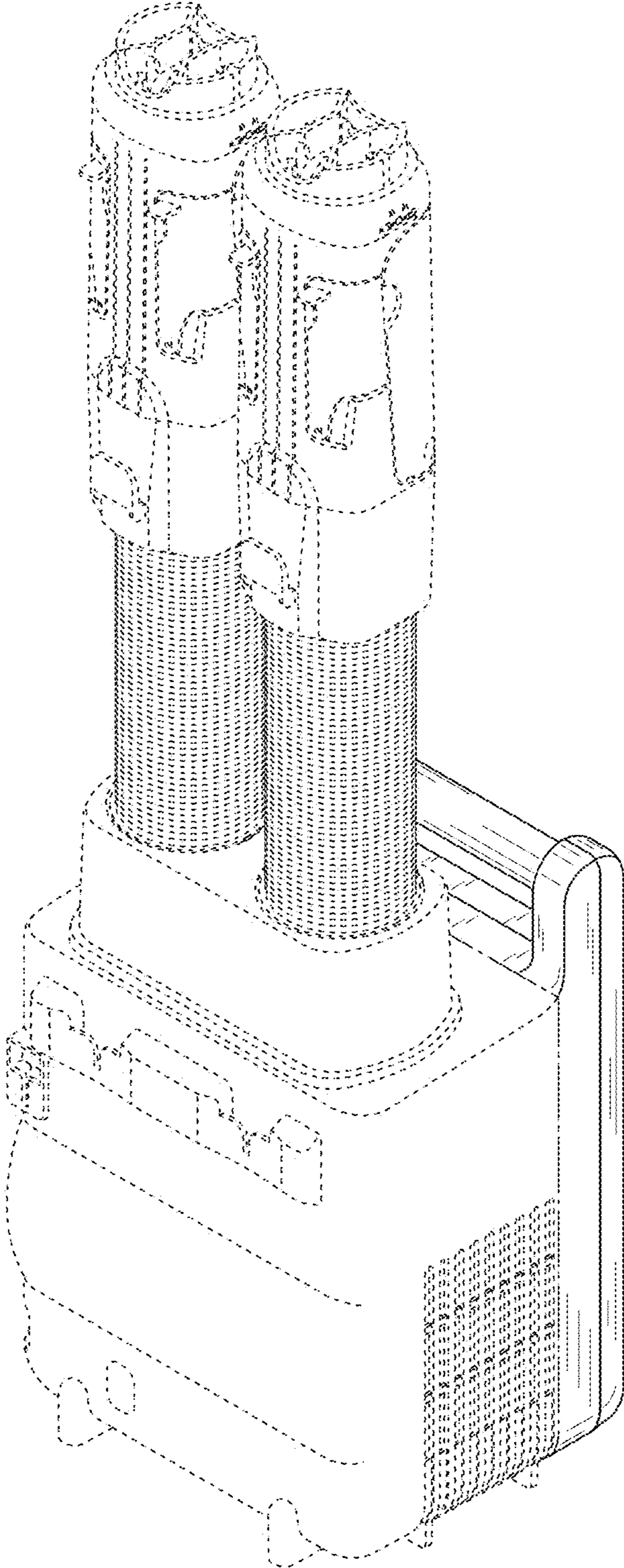


FIG. 3

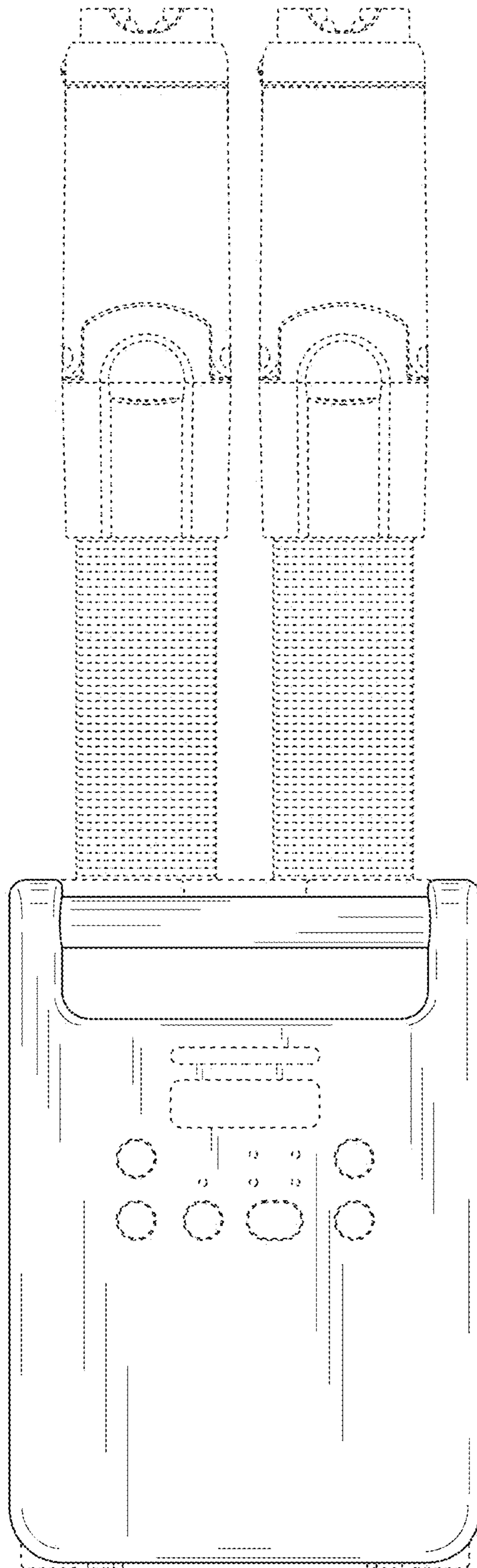


FIG.4

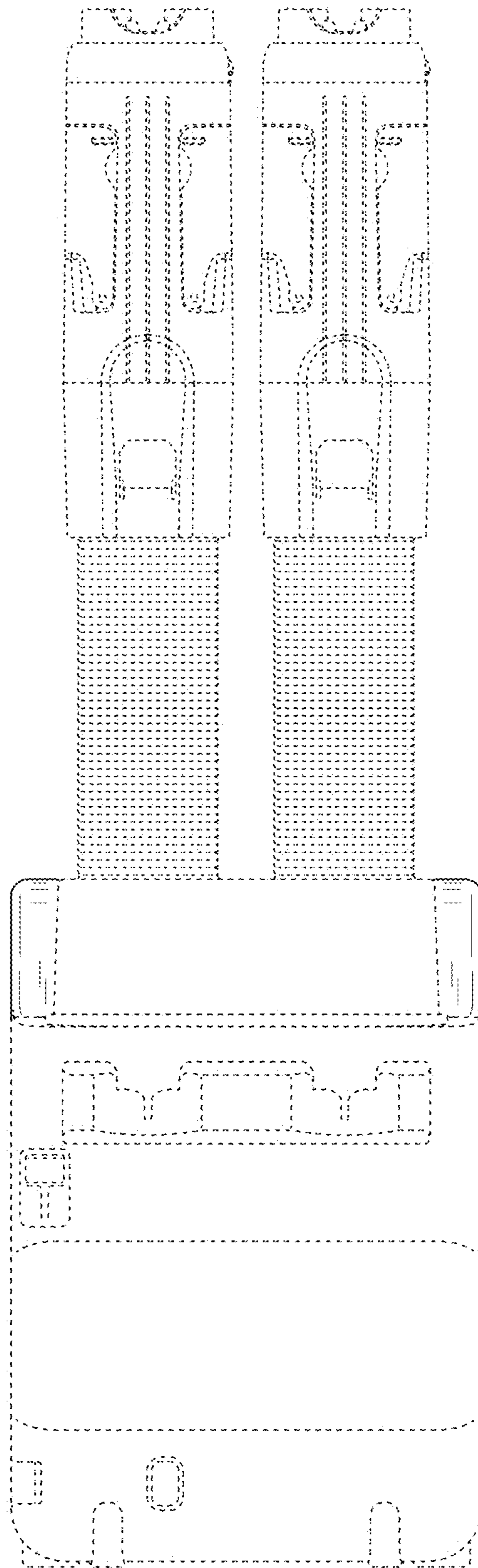


FIG.5

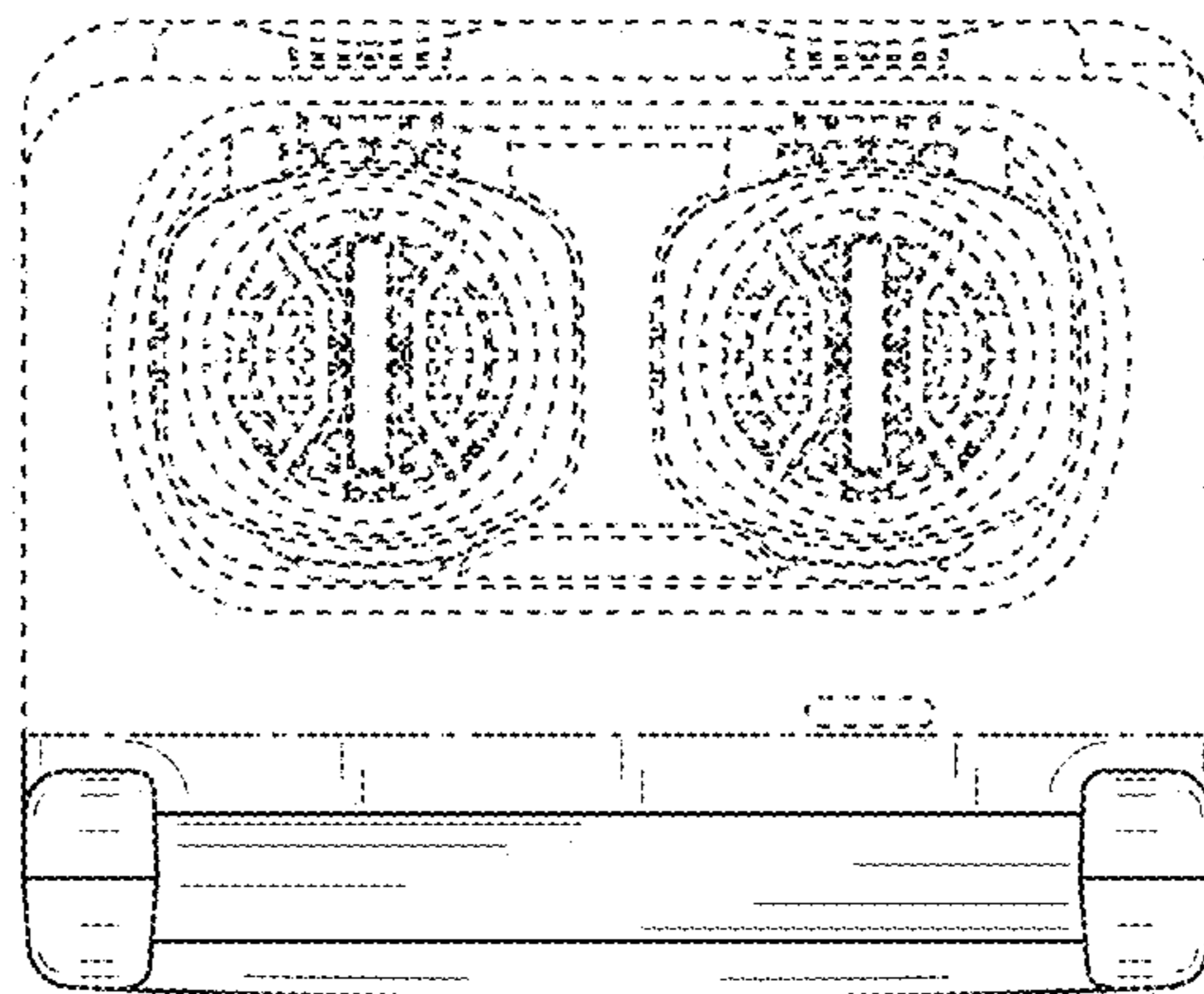


FIG.6

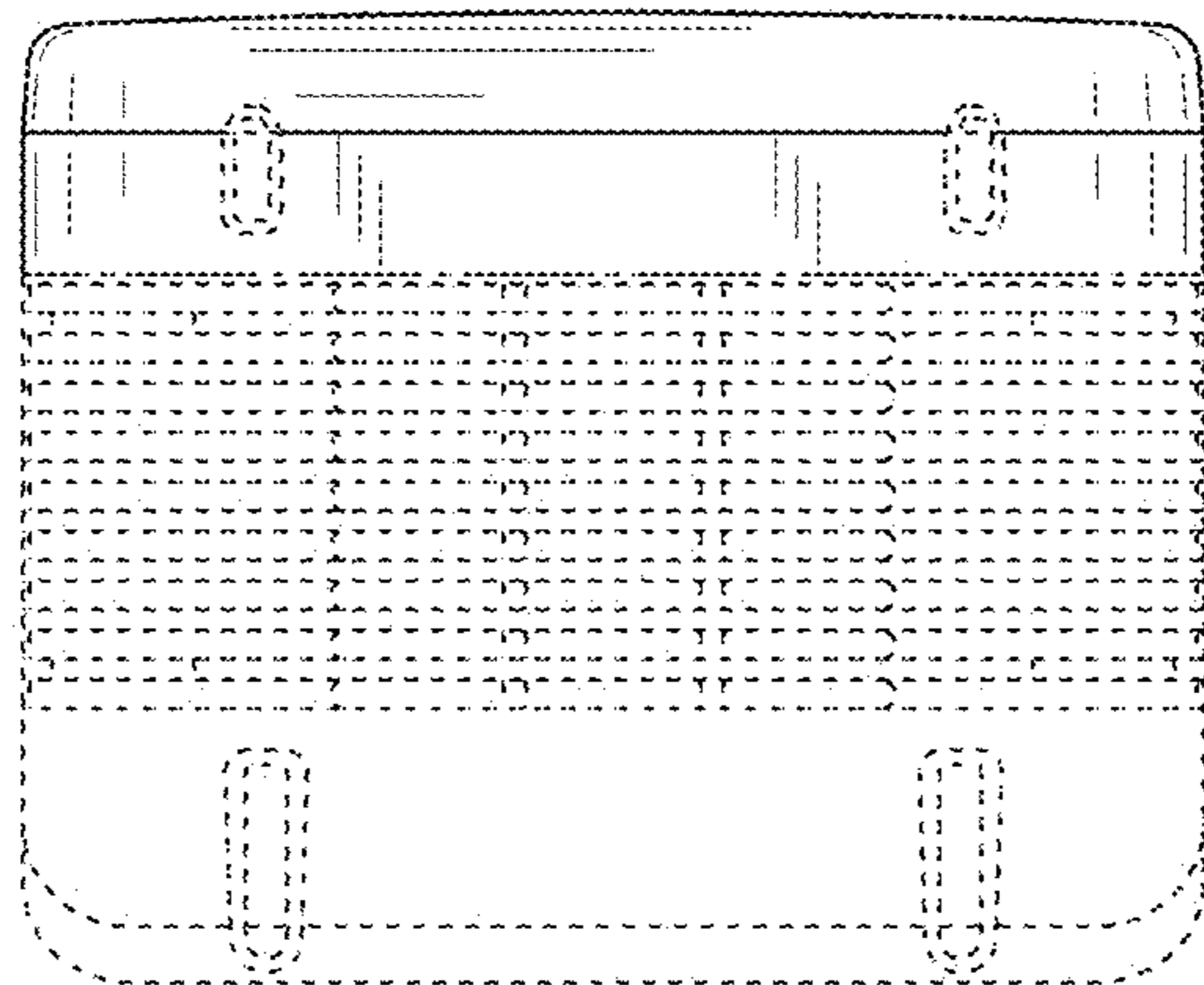




FIG.7

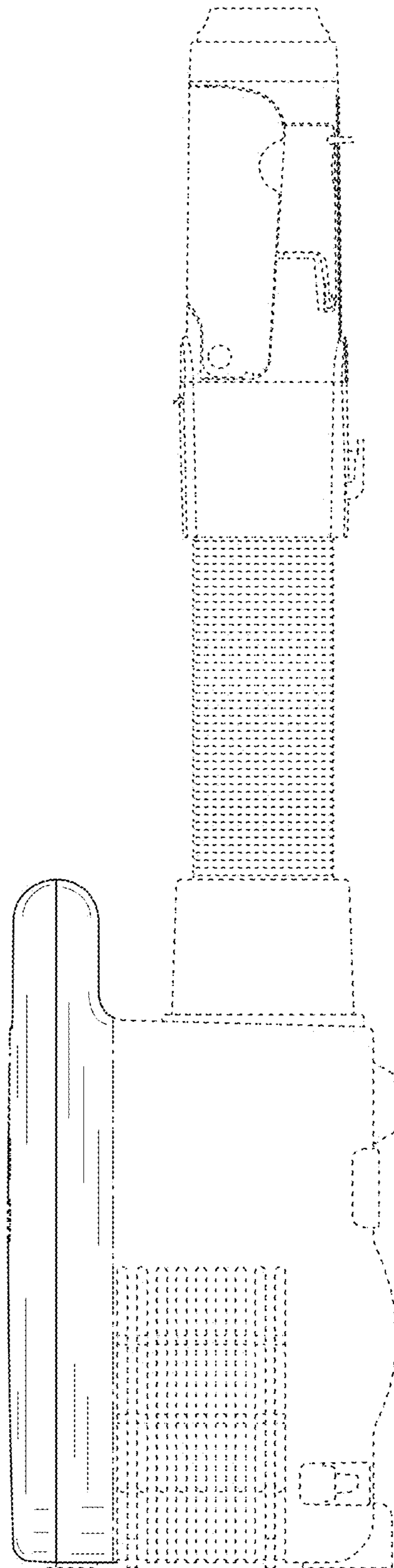


FIG.8

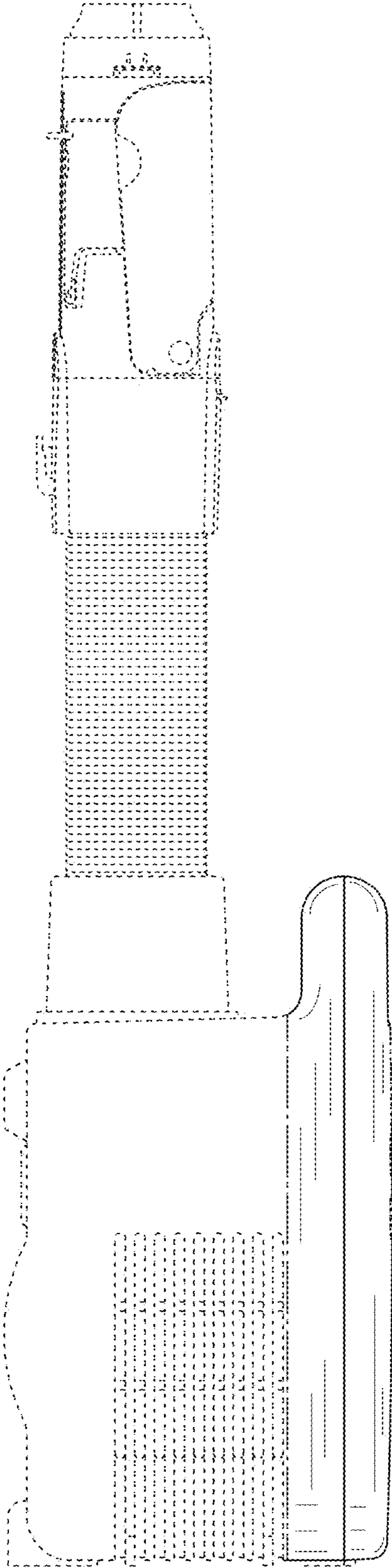


FIG.9

