



US0D1013037S

(12) **United States Design Patent**
Han

(10) **Patent No.:** **US D1,013,037 S**
(45) **Date of Patent:** **** Jan. 30, 2024**

(54) **MARKER**
(71) Applicant: **JianYue Han**, Zhejiang (CN)
(72) Inventor: **JianYue Han**, Zhejiang (CN)
(**) Term: **15 Years**

(21) Appl. No.: **29/801,513**
(22) Filed: **Jul. 29, 2021**
(51) **LOC (14) Cl.** **19-06**
(52) **U.S. Cl.**
USPC **D19/117**
(58) **Field of Classification Search**
USPC D19/115-179, 180-186, 194, 200, 201,
D19/901, 904-906, 914-915, 924
CPC B43K 17/005; B43K 5/005; B43K 7/12;
B43K 8/04; B43K 8/06; B43K 19/00;
A45D 40/02
See application file for complete search history.

(56) **References Cited**
U.S. PATENT DOCUMENTS

D404,069 S * 1/1999 Hasegawa D19/117
D595,351 S * 6/2009 Yu D19/904
D605,697 S * 12/2009 Liu D19/163
D619,650 S * 7/2010 Shi D19/117

D645,506 S * 9/2011 Hung D19/117
D688,303 S * 8/2013 Jiang D19/163
D711,469 S * 8/2014 Tam D19/163

FOREIGN PATENT DOCUMENTS

CN 306513430 * 5/2021
CN 306929345 * 11/2021
CN 307101630 * 2/2022
CN 307378254 * 5/2022
EM 008633275-0002 * 7/2021

* cited by examiner

Primary Examiner — Garth Rademaker
Assistant Examiner — Laura H Yu

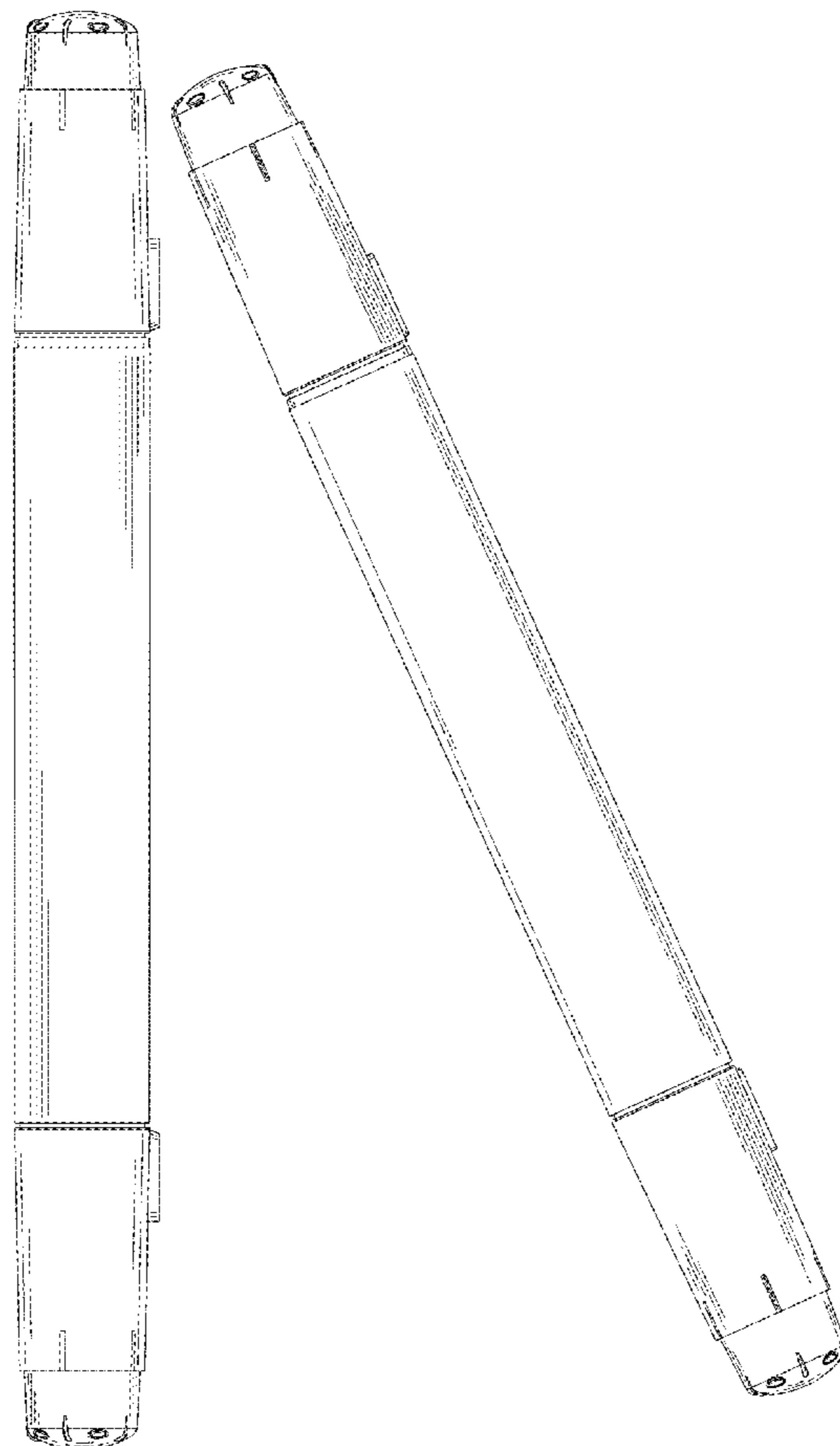
(57) **CLAIM**

The ornamental design for marker, as shown and described.

DESCRIPTION

FIG. 1 is a front view of the marker showing my new design;
FIG. 2 is a back view thereof;
FIG. 3 is a left side view thereof;
FIG. 4 is a right side view thereof;
FIG. 5 is an enlarged top view thereof;
FIG. 6 is an enlarged bottom view thereof;
FIG. 7 is a perspective view thereof; and,
FIG. 8 is another perspective view thereof.

1 Claim, 8 Drawing Sheets



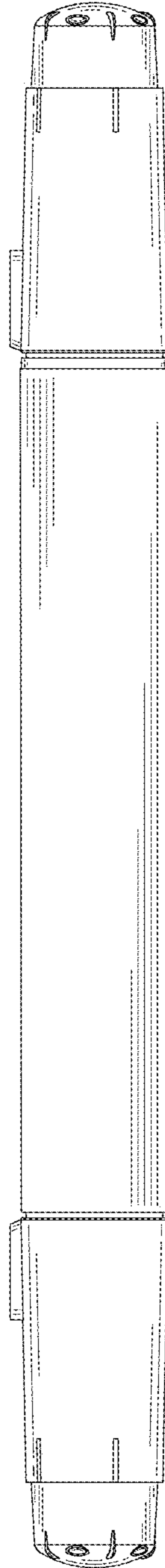


FIG. 1

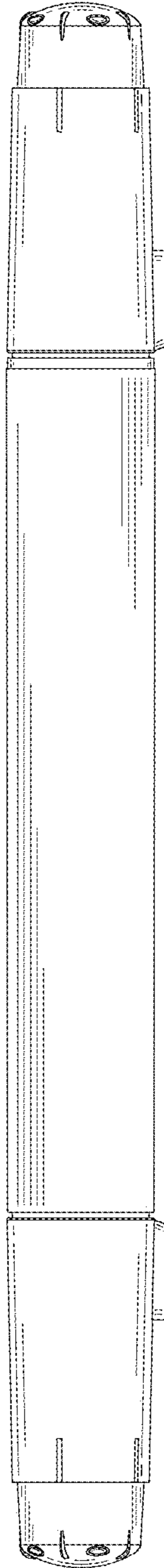


FIG. 2

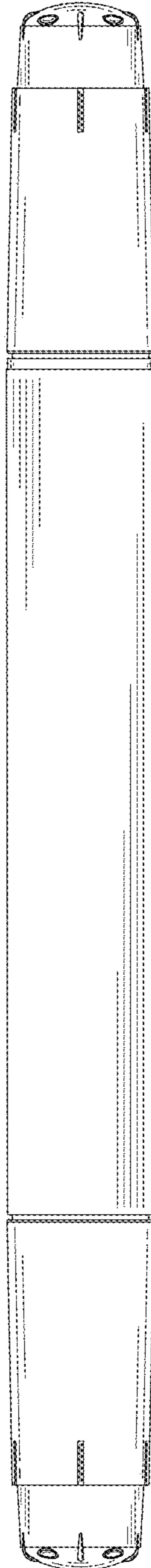


FIG. 3



FIG. 4

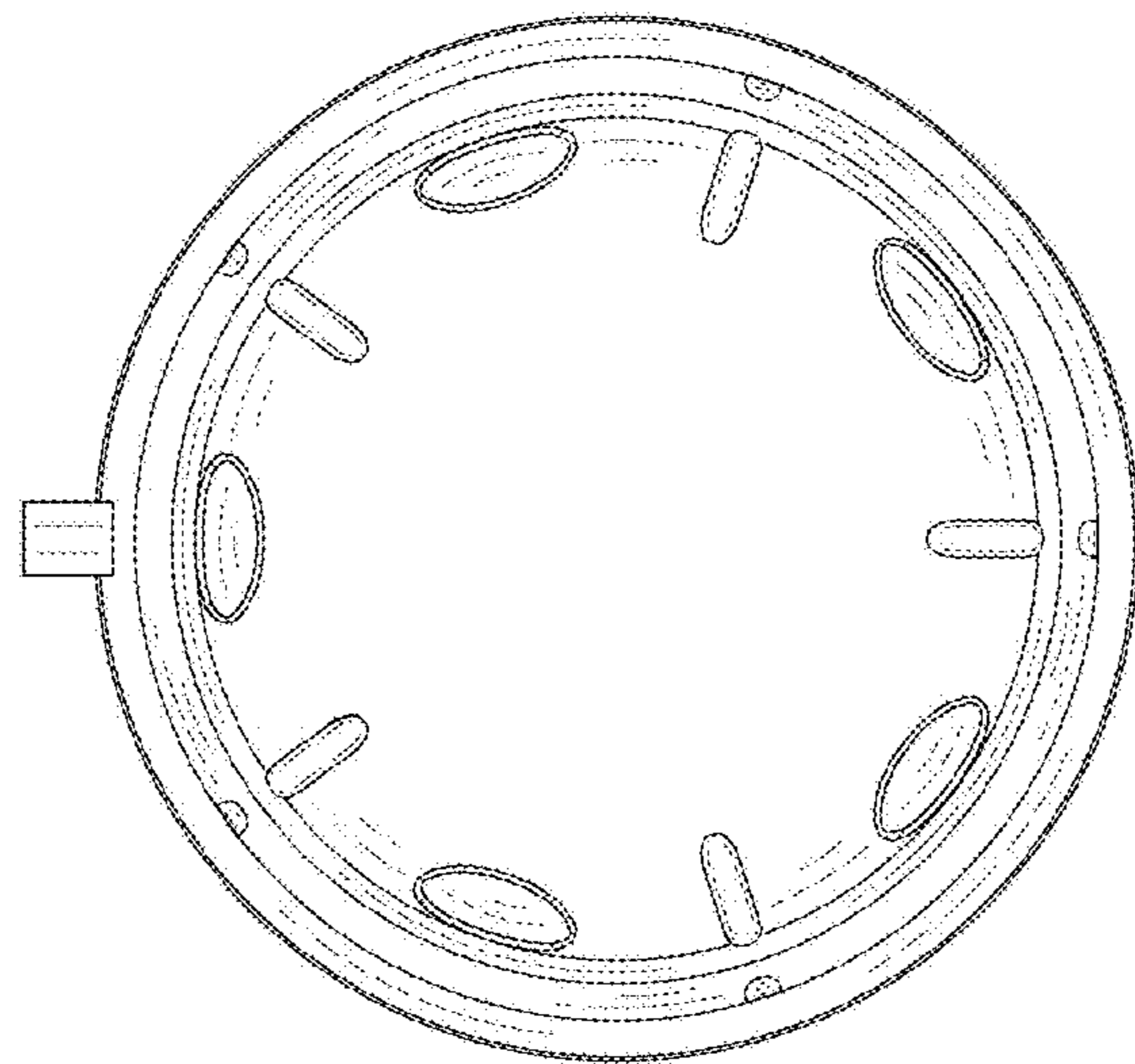


FIG. 5

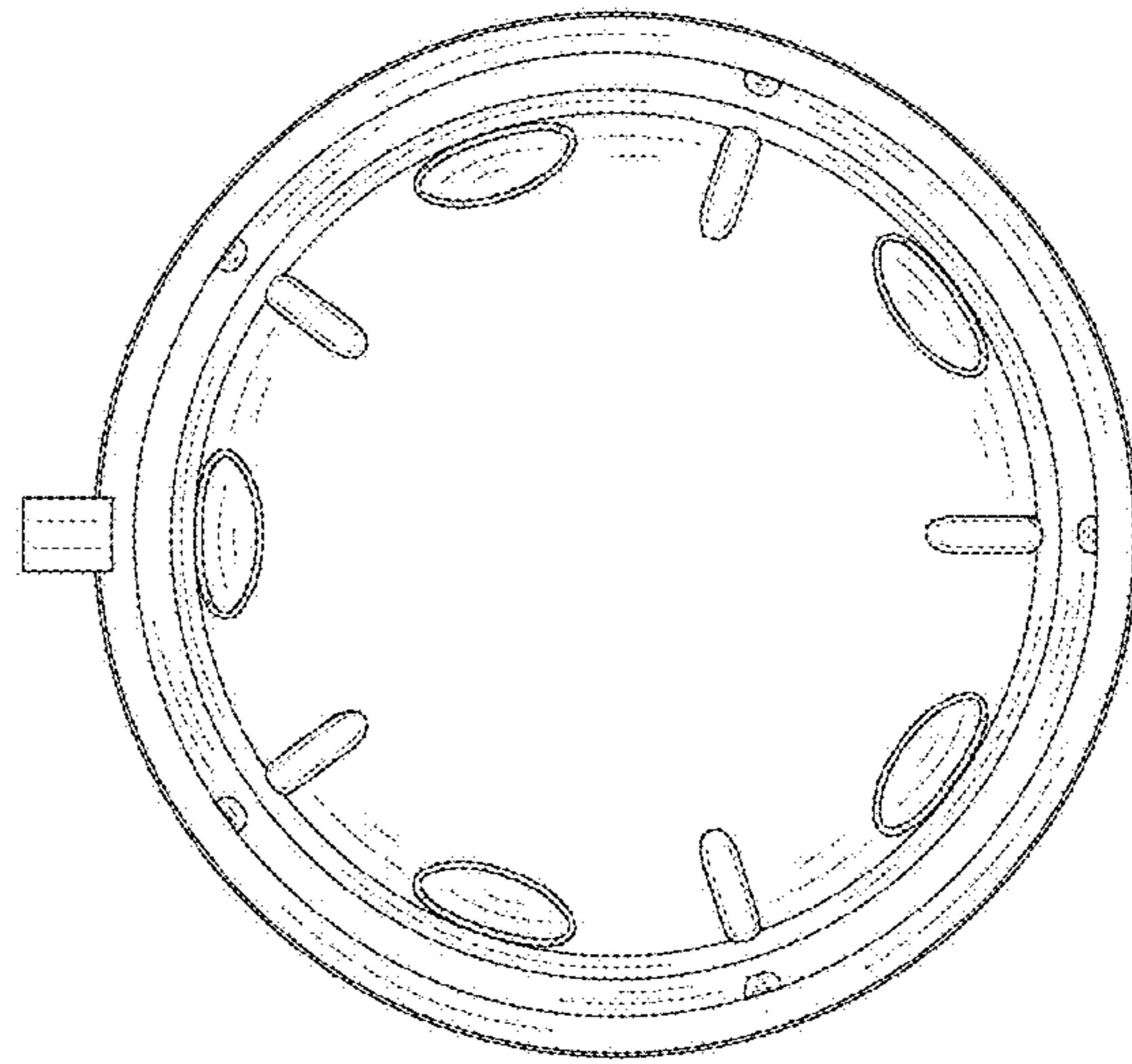


FIG. 6

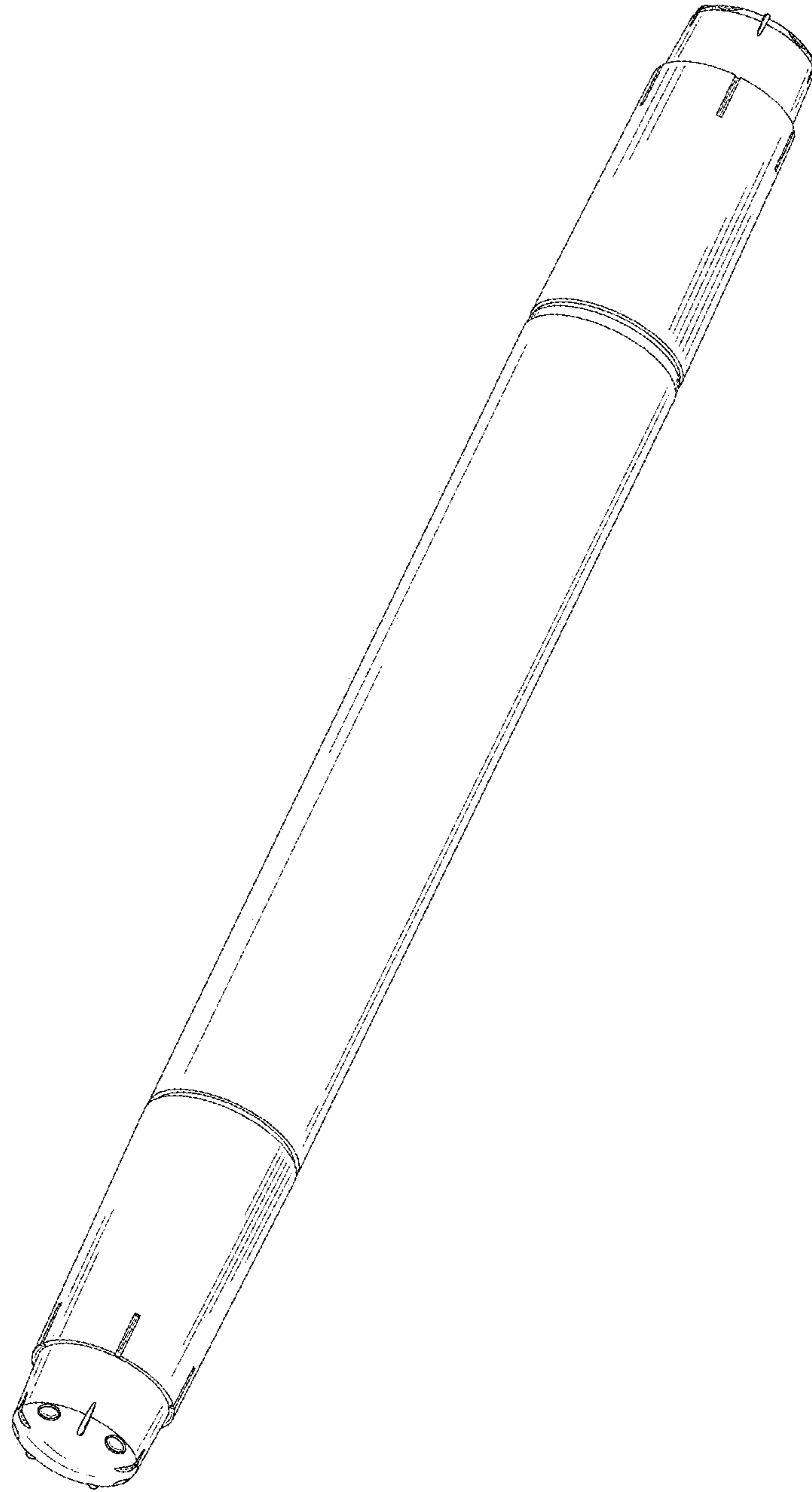


FIG. 7

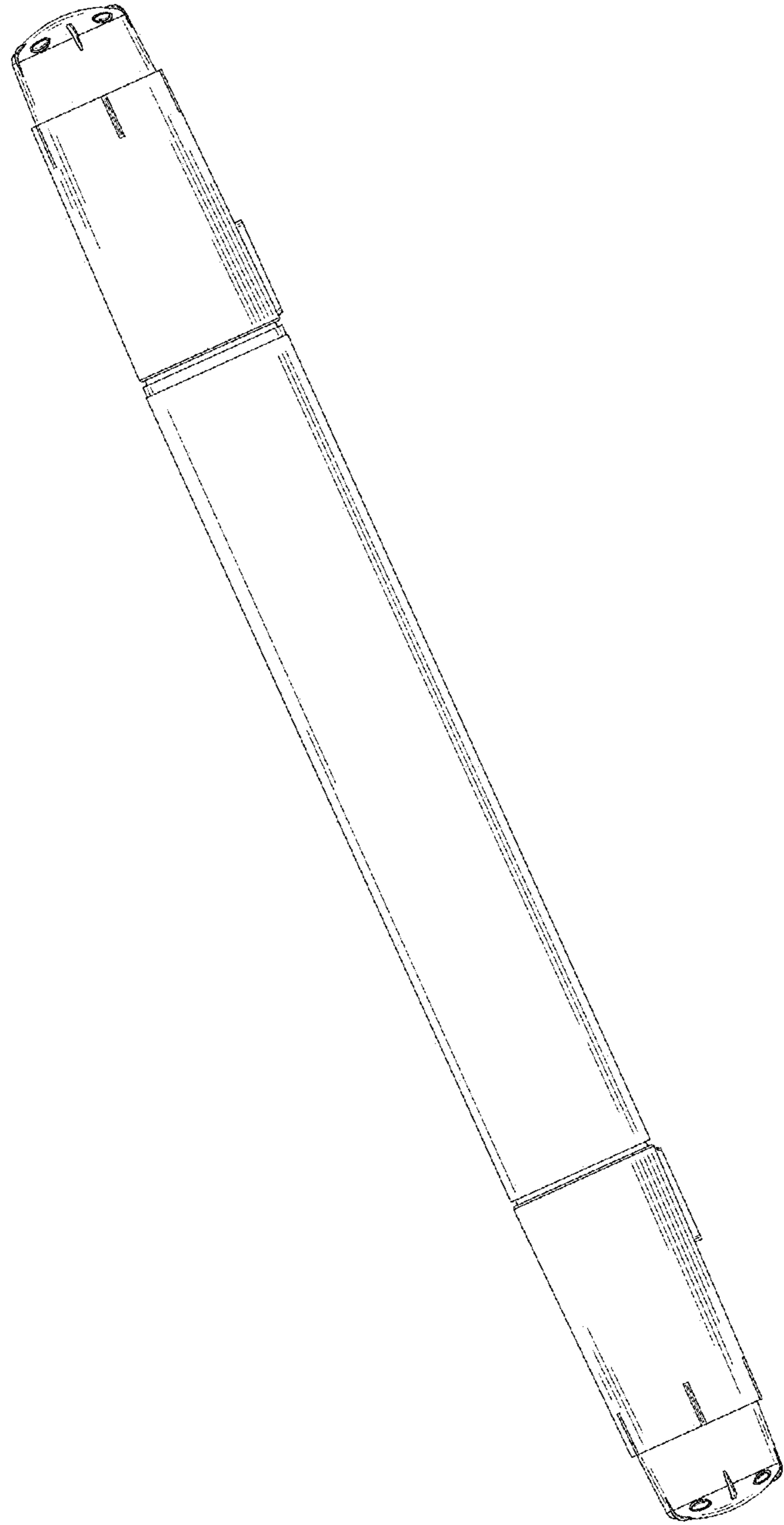


FIG. 8