



US0D1013017S

(12) **United States Design Patent**  
**Chang**

(10) **Patent No.: US D1,013,017 S**

(45) **Date of Patent: \*\* Jan. 30, 2024**

(54) **USB CAMERA**

(71) Applicant: **Nextedge Labs, Inc.**, Taipei (TW)

(72) Inventor: **Chao-Han Chang**, Taipei (TW)

(73) Assignee: **Nextedge Labs, Inc.**, Taipei (TW)

(\*\*) Term: **15 Years**

(21) Appl. No.: **29/829,106**

(22) Filed: **Mar. 3, 2022**

(51) **LOC (14) Cl.** ..... **16-01**

(52) **U.S. Cl.**  
USPC ..... **D16/211; D16/229; D14/423**

(58) **Field of Classification Search**  
USPC ..... D16/200, 202, 208, 211, 218, 219, 221,  
D16/229; D14/423, 429  
CPC ..... G03B 17/02; G03B 19/04; G03B 17/56;  
G03B 17/04; G03B 15/03; G03B 17/48;  
G03B 17/06; H04N 23/50; H04N 23/51;  
H04N 23/54; H04N 23/55; H04N 23/62;  
H04N 23/63  
See application file for complete search history.

(56) **References Cited**

**U.S. PATENT DOCUMENTS**

D607,482 S *	1/2010	Inoue	.....	D16/208
D651,635 S *	1/2012	Hong	.....	D16/208
D667,042 S *	9/2012	Shen	.....	D16/208
D680,148 S *	4/2013	Unno	.....	D16/208
D686,268 S *	7/2013	Dunn	.....	D16/232
D717,855 S *	11/2014	Hong	.....	D16/232
D782,558 S *	3/2017	Tabuchi	.....	D16/232
D854,598 S *	7/2019	Hsieh	.....	D16/232
D854,599 S *	7/2019	Hong	.....	D16/232
D892,192 S *	8/2020	Furusawa	.....	D16/232

D892,900 S *	8/2020	Chang	.....	D16/232
D896,874 S *	9/2020	Yamakose	.....	D16/232
D993,299 S *	7/2023	Fu	.....	D16/232

\* cited by examiner

*Primary Examiner* — Ramzi Almatrahi

(74) *Attorney, Agent, or Firm* — Winston Hsu

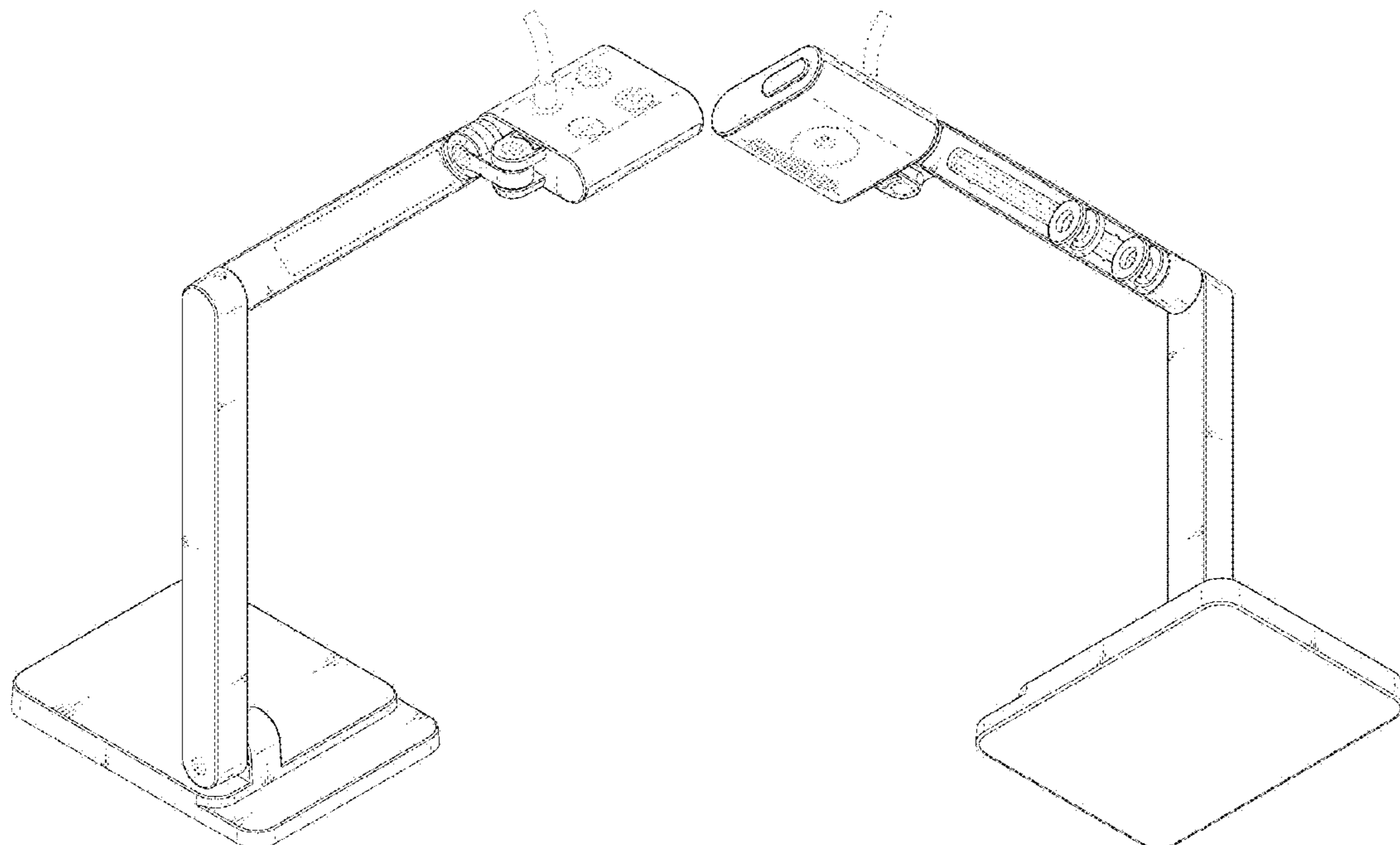
(57) **CLAIM**

The ornamental design for a USB camera, as shown and described.

**DESCRIPTION**

FIG. 1 is a top, front, left side perspective view of a USB camera, showing my new design;  
 FIG. 2 is a bottom, rear, right side perspective view thereof;  
 FIG. 3 is a front elevation view thereof;  
 FIG. 4 is a rear elevation view thereof;  
 FIG. 5 is a left side elevation view thereof;  
 FIG. 6 is a right side elevation view thereof;  
 FIG. 7 is a top plan view thereof;  
 FIG. 8 is a bottom plan view thereof;  
 FIG. 9 is a top, front, left side perspective view of the USB camera of FIG. 1, shown in an extended configuration;  
 FIG. 10 is a top, front, right side perspective view of the USB camera of FIG. 1, shown in a folded configuration;  
 FIG. 11 is a top, front, right side perspective view of the USB camera of FIG. 1, shown in an alternate folded configuration; and,  
 FIG. 12 is a top, front, right side perspective view of the USB camera of FIG. 1, shown in an alternate position.  
 The broken lines in the drawings depict portions of the USB camera that form no part of the claimed design.

**1 Claim, 12 Drawing Sheets**



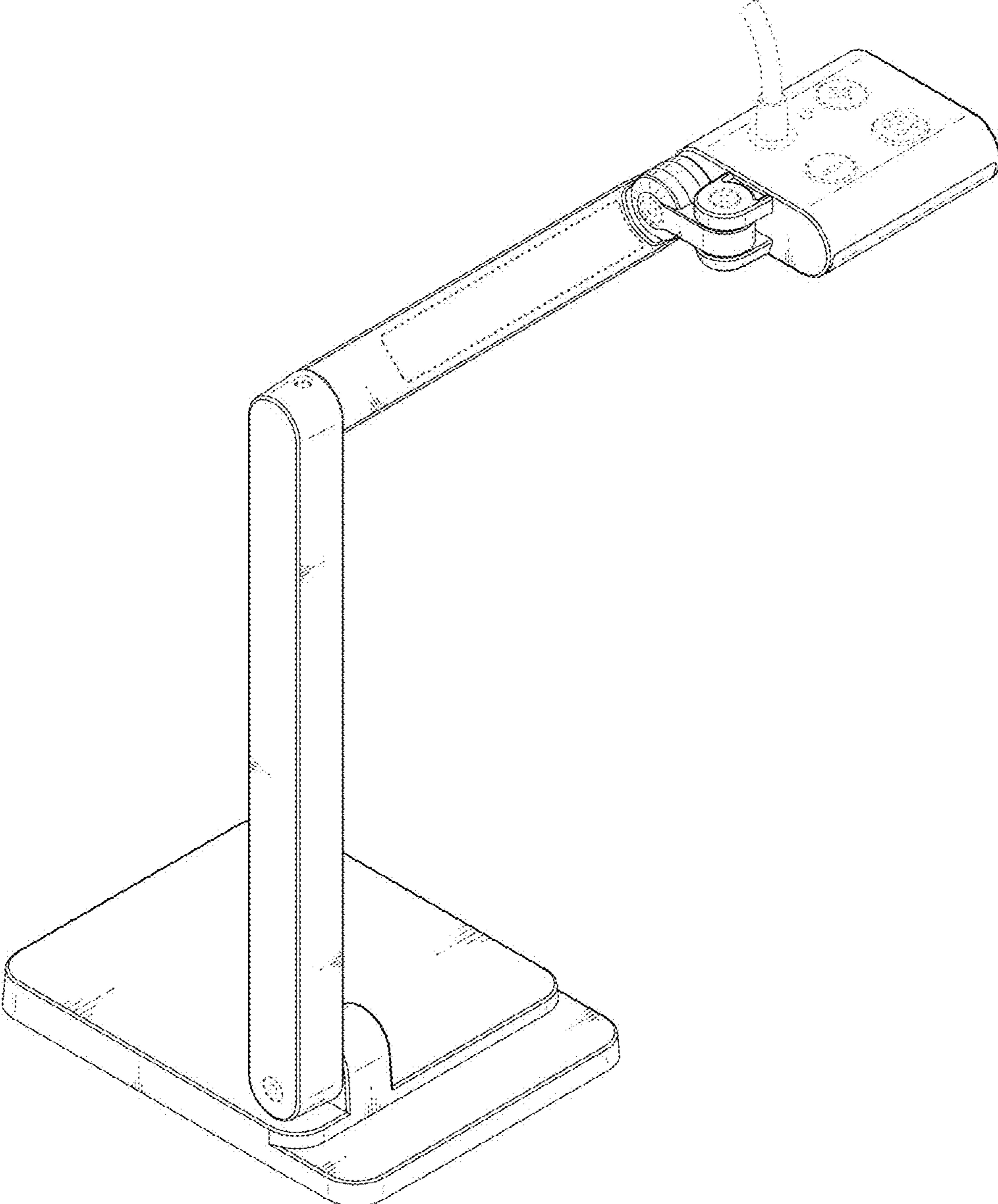


FIG. 1

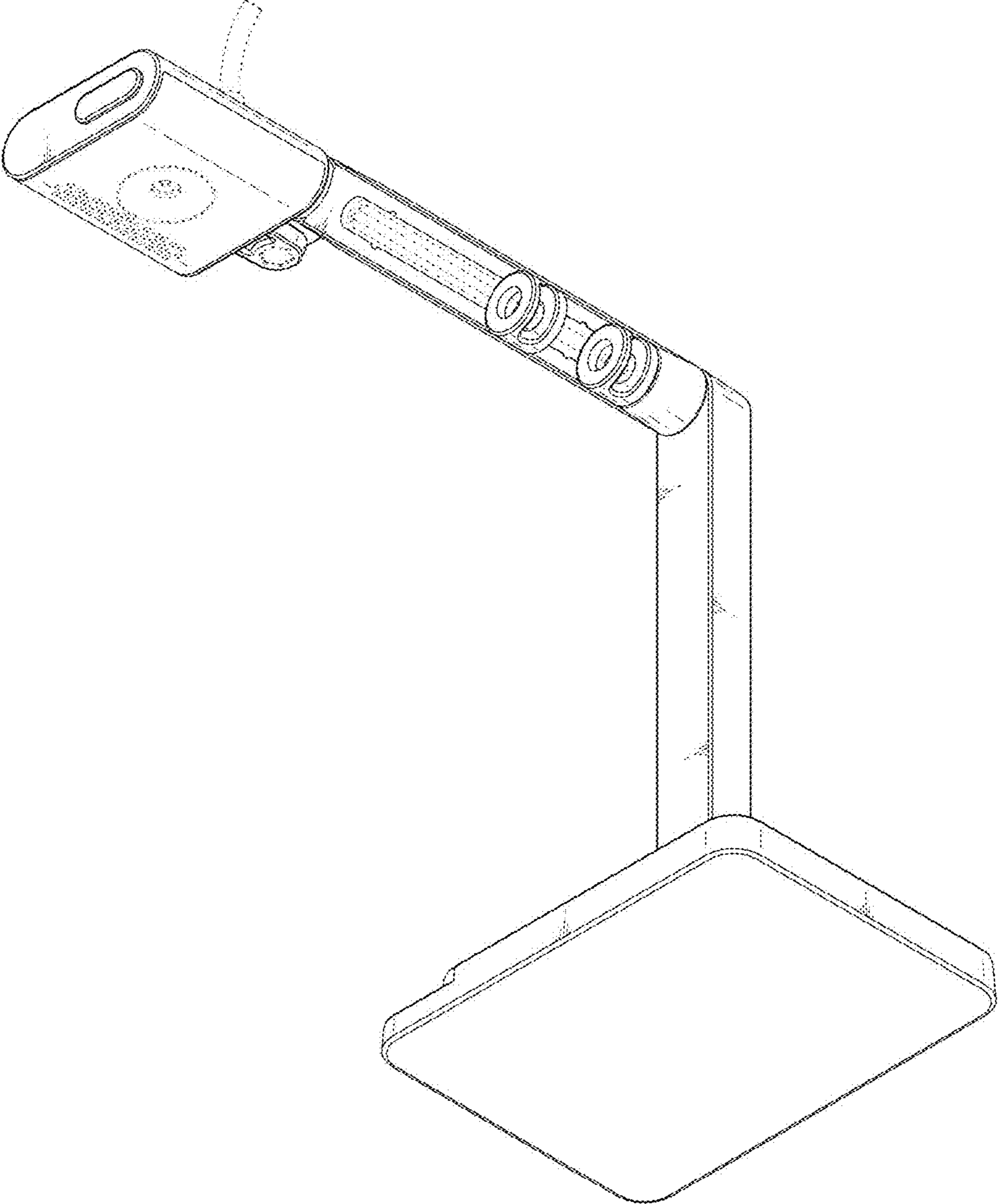


FIG. 2

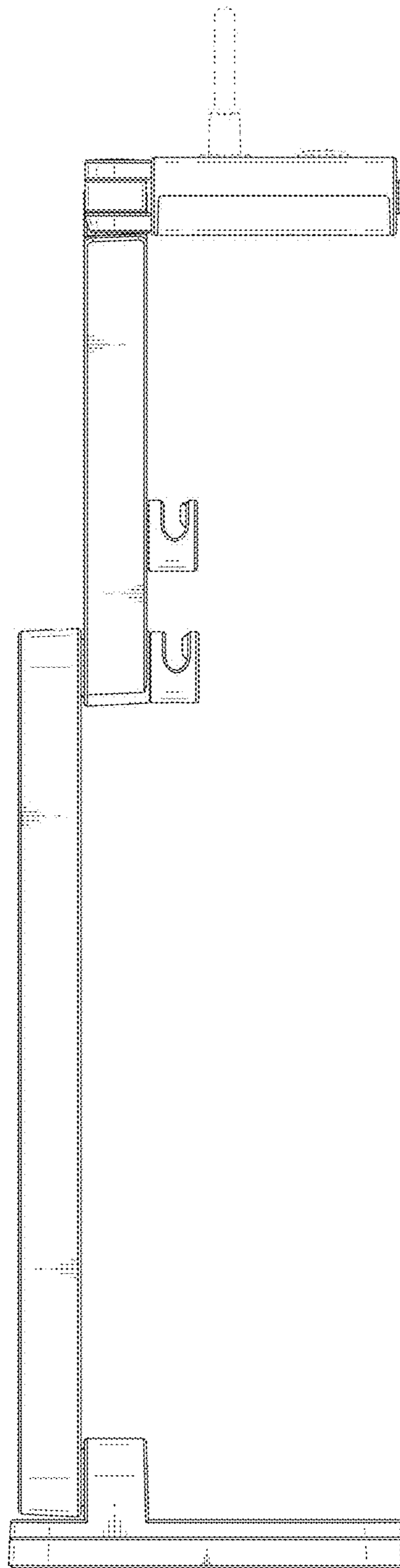


FIG. 3

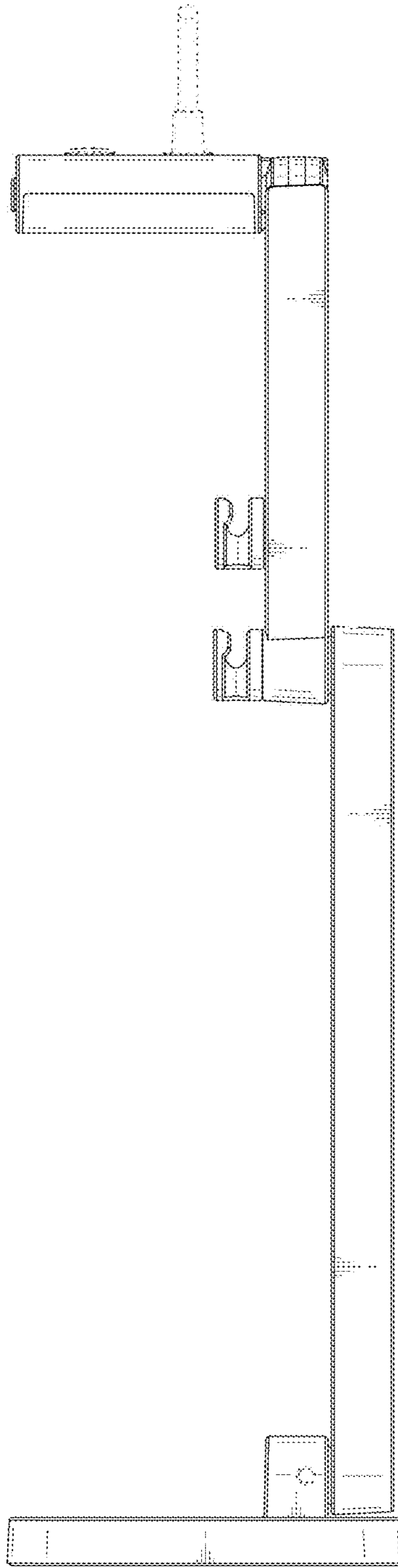


FIG. 4

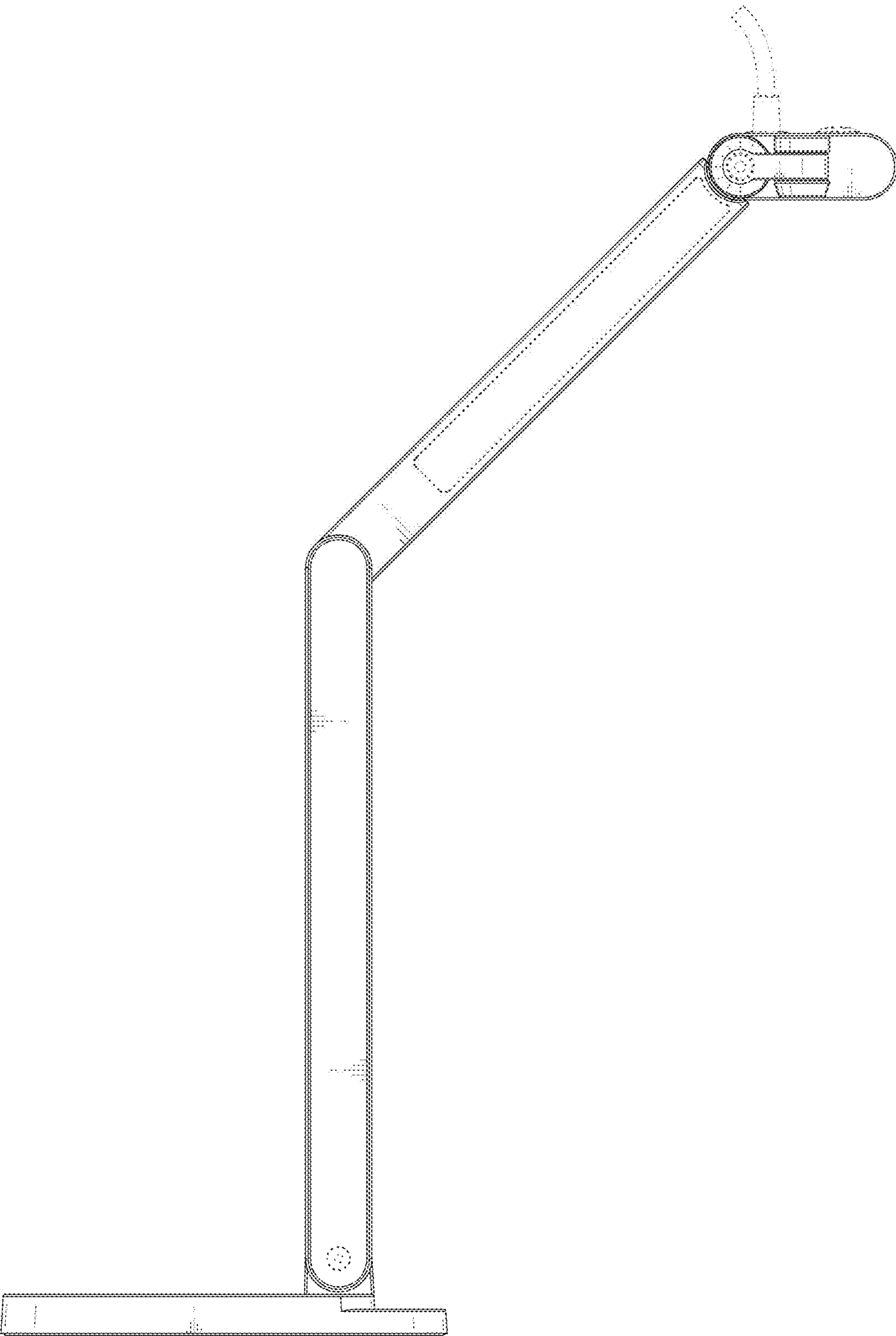


FIG. 5

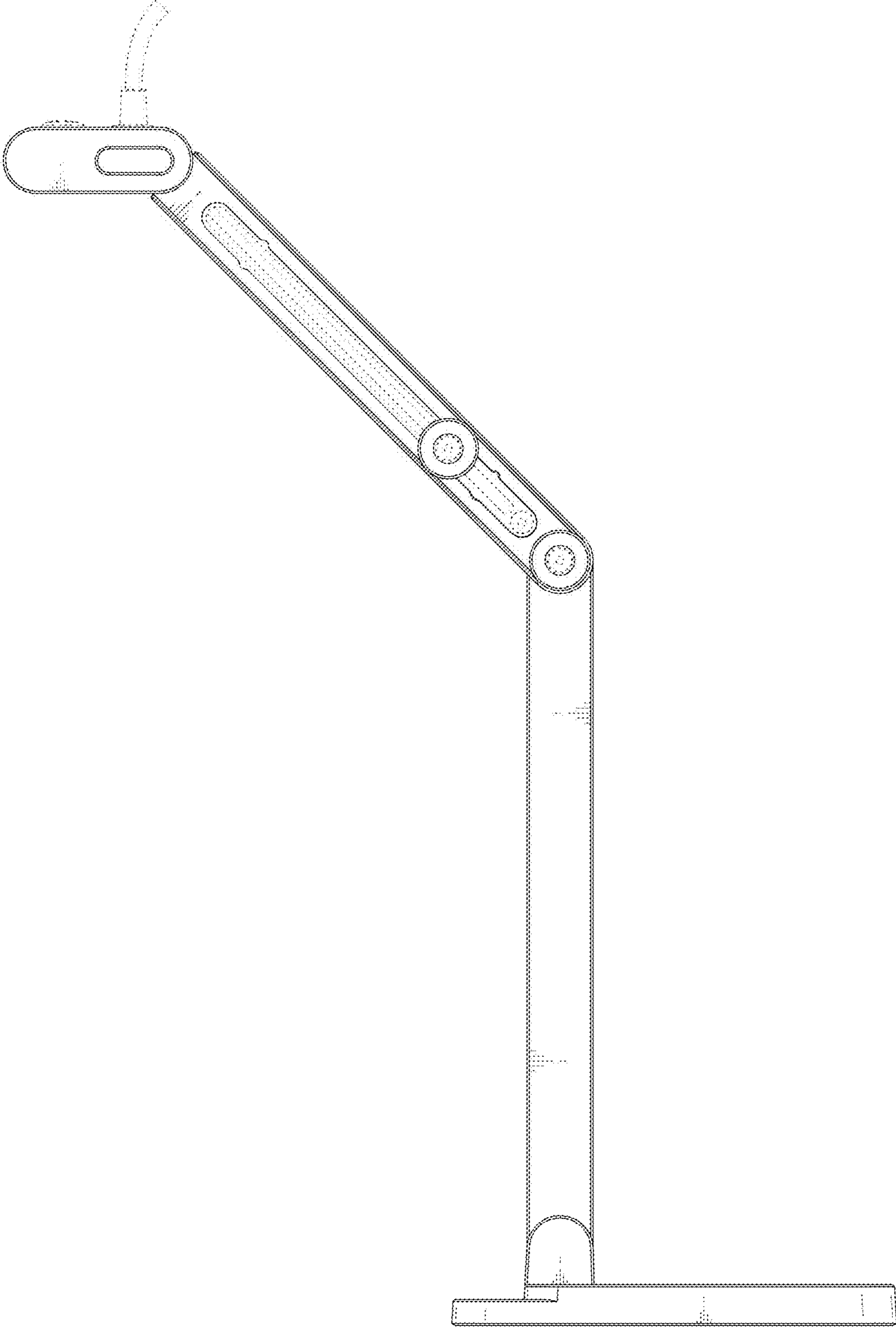


FIG. 6

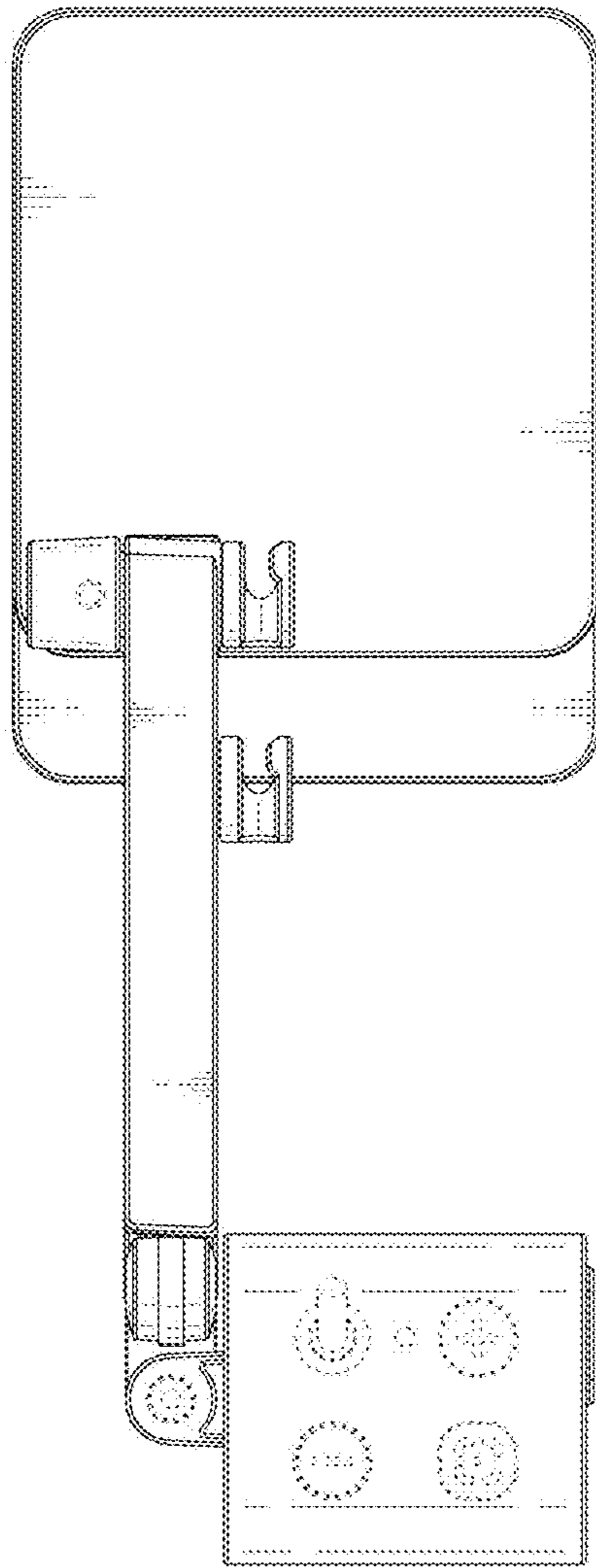


FIG. 7



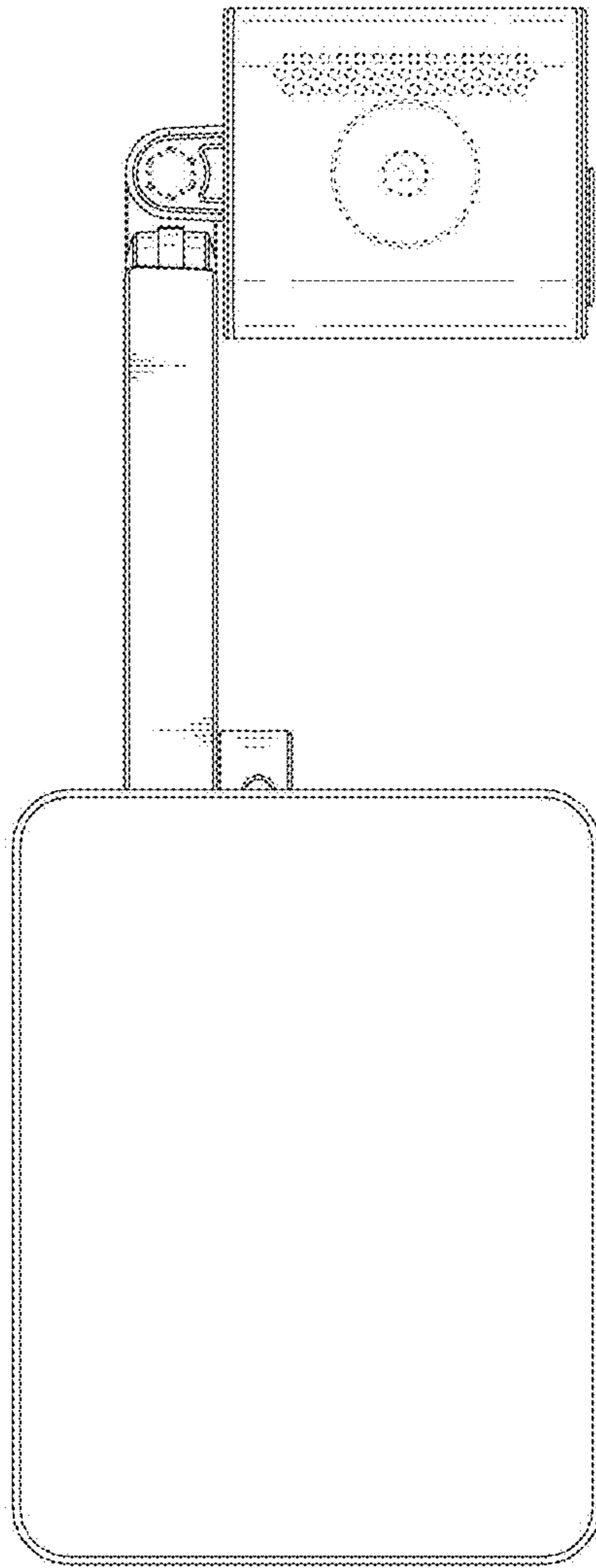


FIG. 8

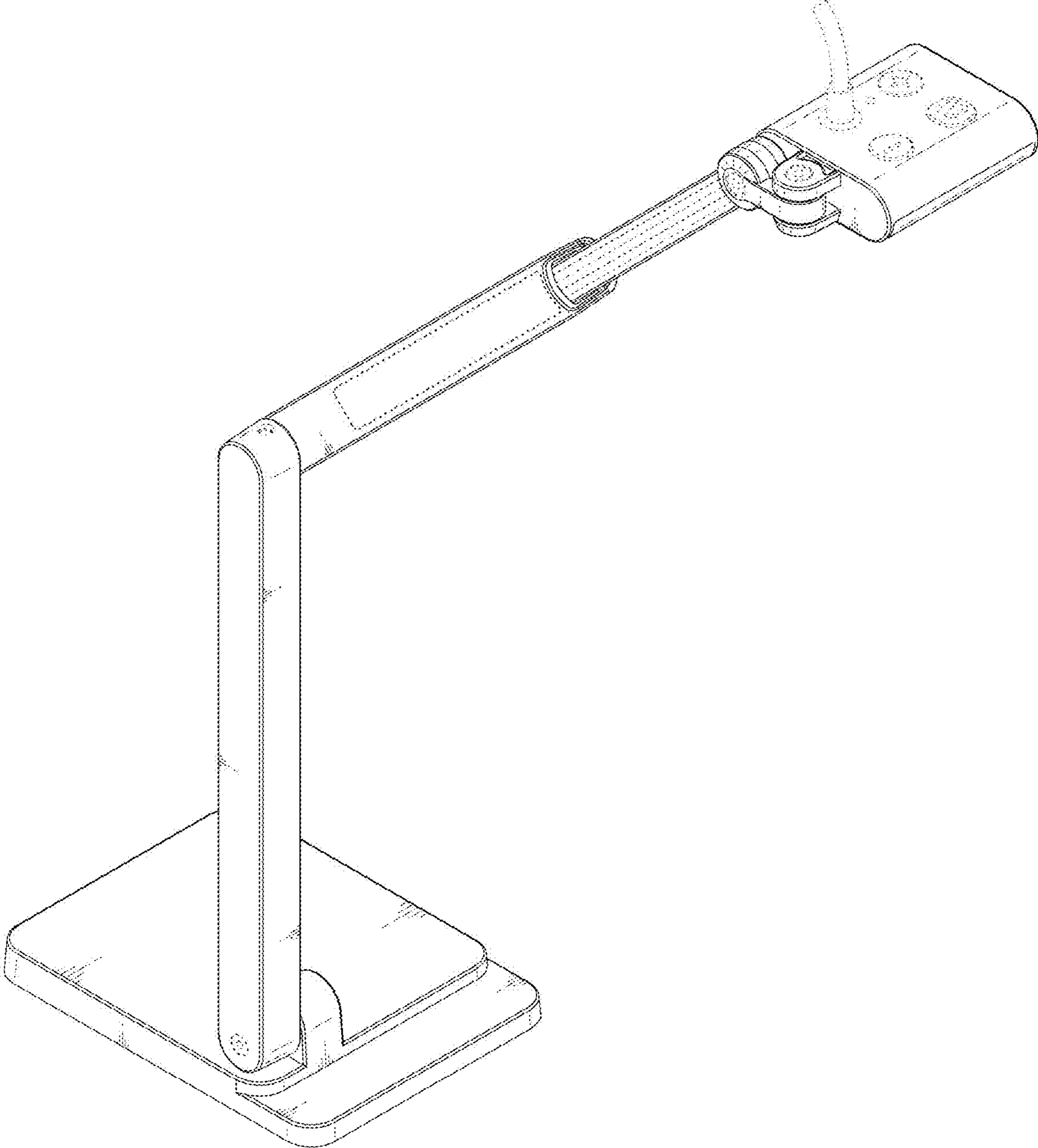


FIG. 9

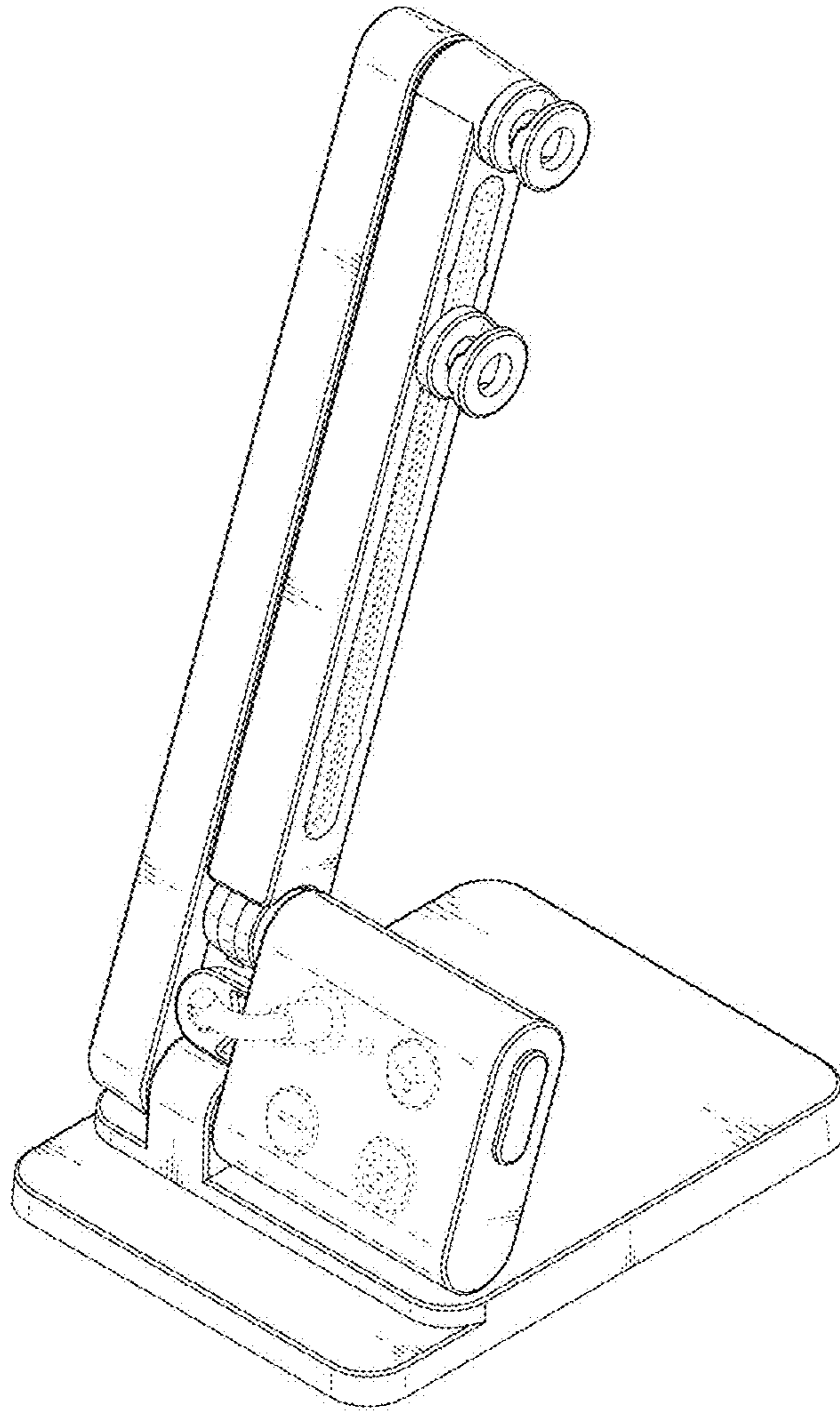


FIG. 10

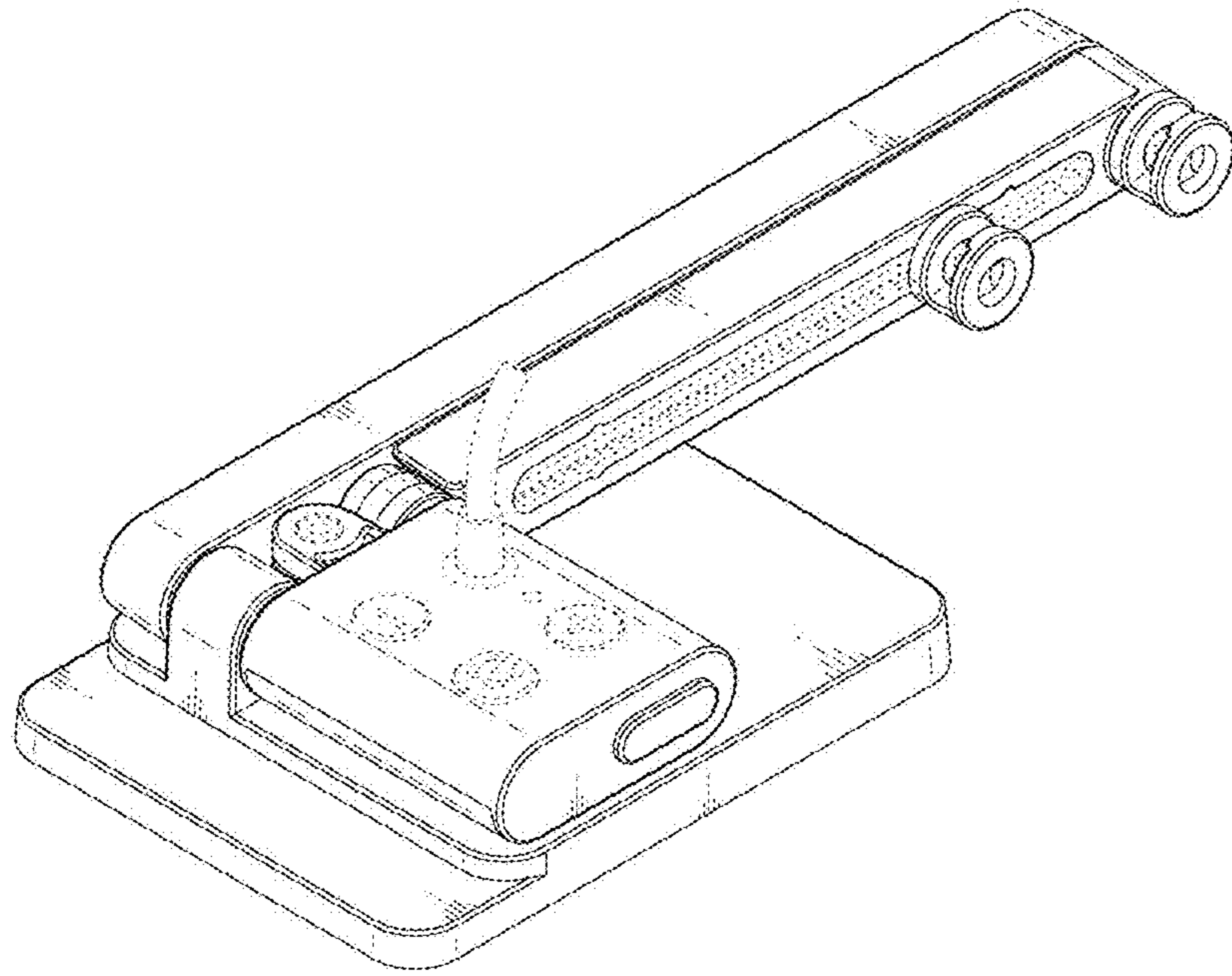


FIG. 11

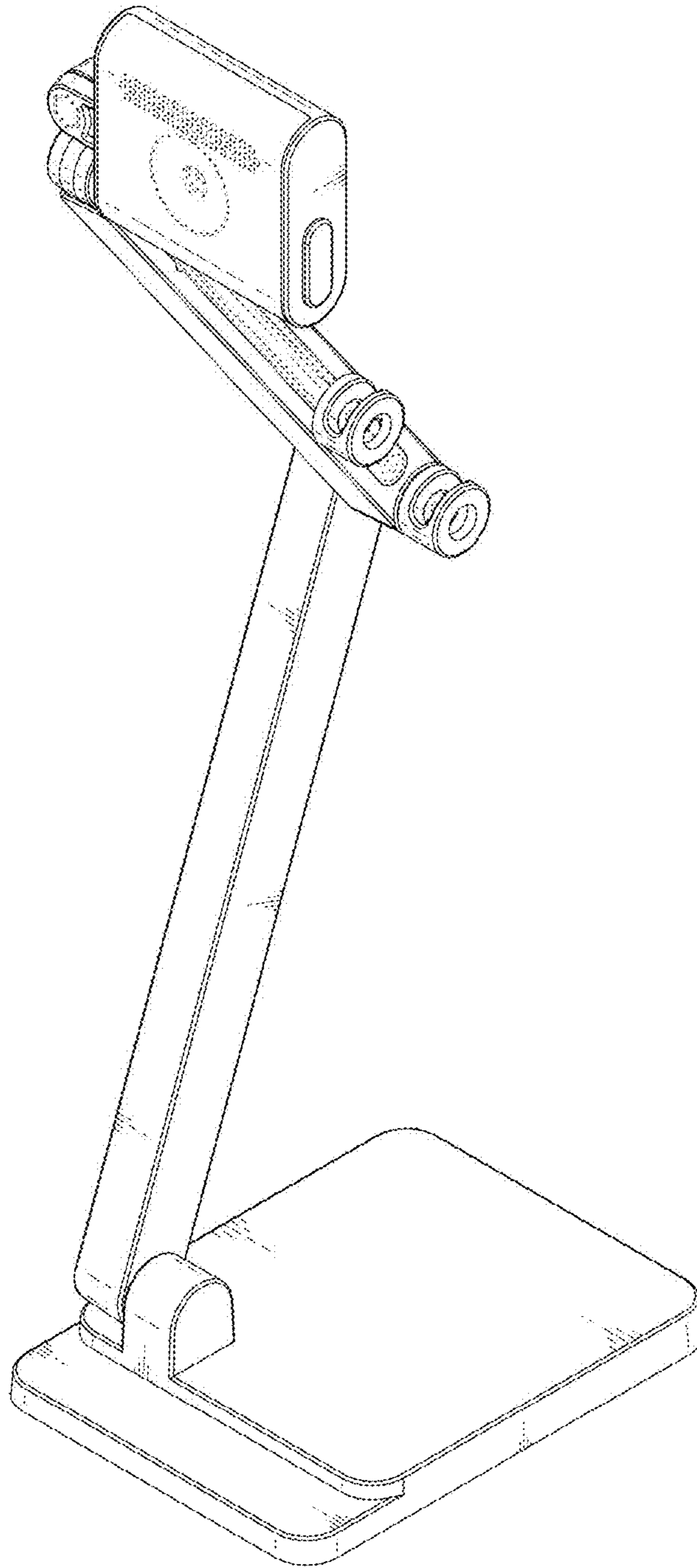


FIG. 12