



US0D1012932S

(12) **United States Design Patent** (10) **Patent No.:** **US D1,012,932 S**
Cooper et al. (45) **Date of Patent:** **** Jan. 30, 2024**

(54) **COMPUTER POINTING DEVICE**

(71) Applicants: **The United States Government as represented by the Department of Veterans Affairs**, Washington, DC (US); **University of Pittsburgh—Of The Commonwealth System of Higher Education**, Pittsburgh, PA (US)

(72) Inventors: **Rory A. Cooper**, Gibsonia, PA (US); **Garrett G. Grindle**, Pittsburgh, PA (US); **Zachary Kitzmiller Anzelone**, Blairsville, PA (US); **Aaron Tyler Anderson**, Pittsburgh, PA (US)

(73) Assignees: **UNITED STATE GOVERNMENT AS REPRESENTED BY THE DEPARTMENT OF VETERANS AFFAIRS**, Washington, DC (US); **UNIVERSITY OF PITTSBURGH—OF THE COMMONWEALTH SYSTEM OF HIGHER EDUCATION**, Pittsburgh, PA (US)

(**) Term: **15 Years**

(21) Appl. No.: **29/830,885**

(22) Filed: **Mar. 16, 2022**

Related U.S. Application Data

(62) Division of application No. 29/744,800, filed on Jul. 31, 2020, now Pat. No. Des. 967,101.

(51) **LOC (14) Cl.** **04-02**

(52) **U.S. Cl.**
USPC **D14/410**

(58) **Field of Classification Search**
USPC D14/402–411, 356, 388, 389, 383–385,
D14/417, 426; 345/156–167; 463/36–38;
358/471, 473; 273/148 B

(Continued)

(56) **References Cited**

U.S. PATENT DOCUMENTS

D357,238 S * 4/1995 Zirinsky D14/402
D397,683 S * 9/1998 Sakamoto D14/384
(Continued)

Primary Examiner — Austin Murphy
(74) *Attorney, Agent, or Firm* — Ballard Spahr LLP

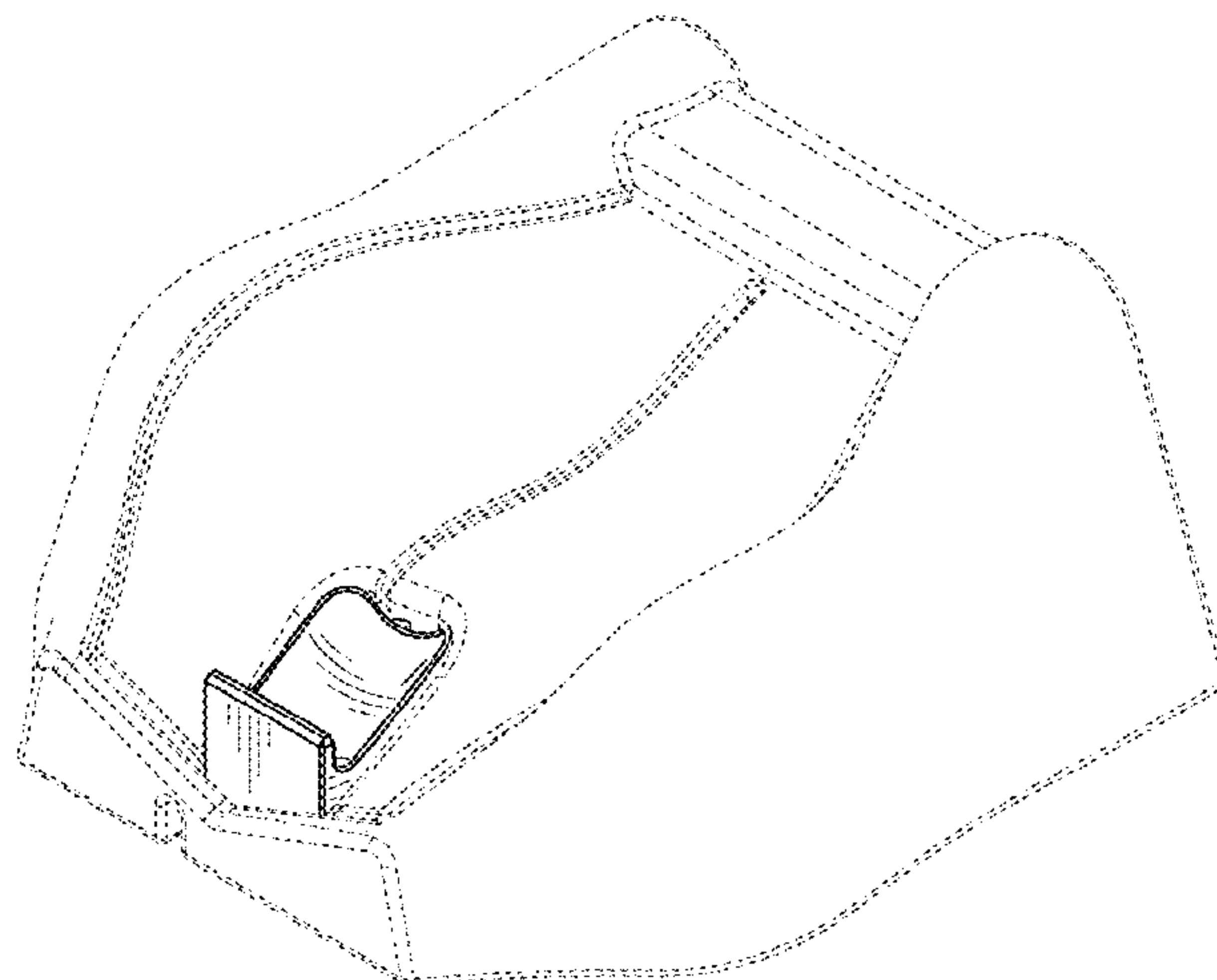
(57) **CLAIM**

We claim the ornamental design for a computer pointing device, as shown and described.

DESCRIPTION

FIG. 1 is an isometric view of an embodiment of our design for a computer pointing device;
FIG. 2 is a front view of the design of the computer pointing device shown in FIG. 1;
FIG. 3 is a rear view of the design of the computer pointing device shown in FIG. 1;
FIG. 4 is a left side view of the design of the computer pointing device shown in FIG. 1, the right side view being a mirror image thereof;
FIG. 5 is a top view of the design of the computer pointing device shown in FIG. 1;
FIG. 6 is a bottom view of the design of the computer pointing device shown in FIG. 1;
FIG. 7 is an isometric view of an embodiment of our design for a computer pointing device;
FIG. 8 is a front view of the design of the computer pointing device shown in FIG. 7;
FIG. 9 is a rear view of the design of the computer pointing device shown in FIG. 7;
FIG. 10 is a left side view of the design of the computer pointing device shown in FIG. 7, the right side view being a mirror image thereof;
FIG. 11 is a top view of the design of the computer pointing device shown in FIG. 7; and,
FIG. 12 is a bottom view of the design of the computer pointing device shown in FIG. 7.

(Continued)



The broken lines depict portions of the computer pointing device that form no part of the claimed design.

1 Claim, 10 Drawing Sheets

(58) Field of Classification Search

CPC G06F 3/03543; G06F 2203/0333; G06F
3/039; G06F 3/038; G06F 2203/0384

See application file for complete search history.

(56) References Cited

U.S. PATENT DOCUMENTS

D478,905	S	*	8/2003	Byrne	D14/384
D487,266	S	*	3/2004	Morimiya	D14/384
D508,247	S	*	8/2005	Fisher	D14/402
D514,105	S	*	1/2006	Ohta	D14/384
D593,559	S	*	6/2009	Lin	D14/384
D801,971	S	*	11/2017	Howell	D14/384
D801,972	S	*	11/2017	Howell	D14/384
D894,899	S	*	9/2020	Cooper	D14/402
D911,338	S	*	2/2021	Cooper	D14/402
D918,911	S	*	5/2021	Cooper	D14/402
D967,101	S	*	10/2022	Cooper	D14/410

* cited by examiner

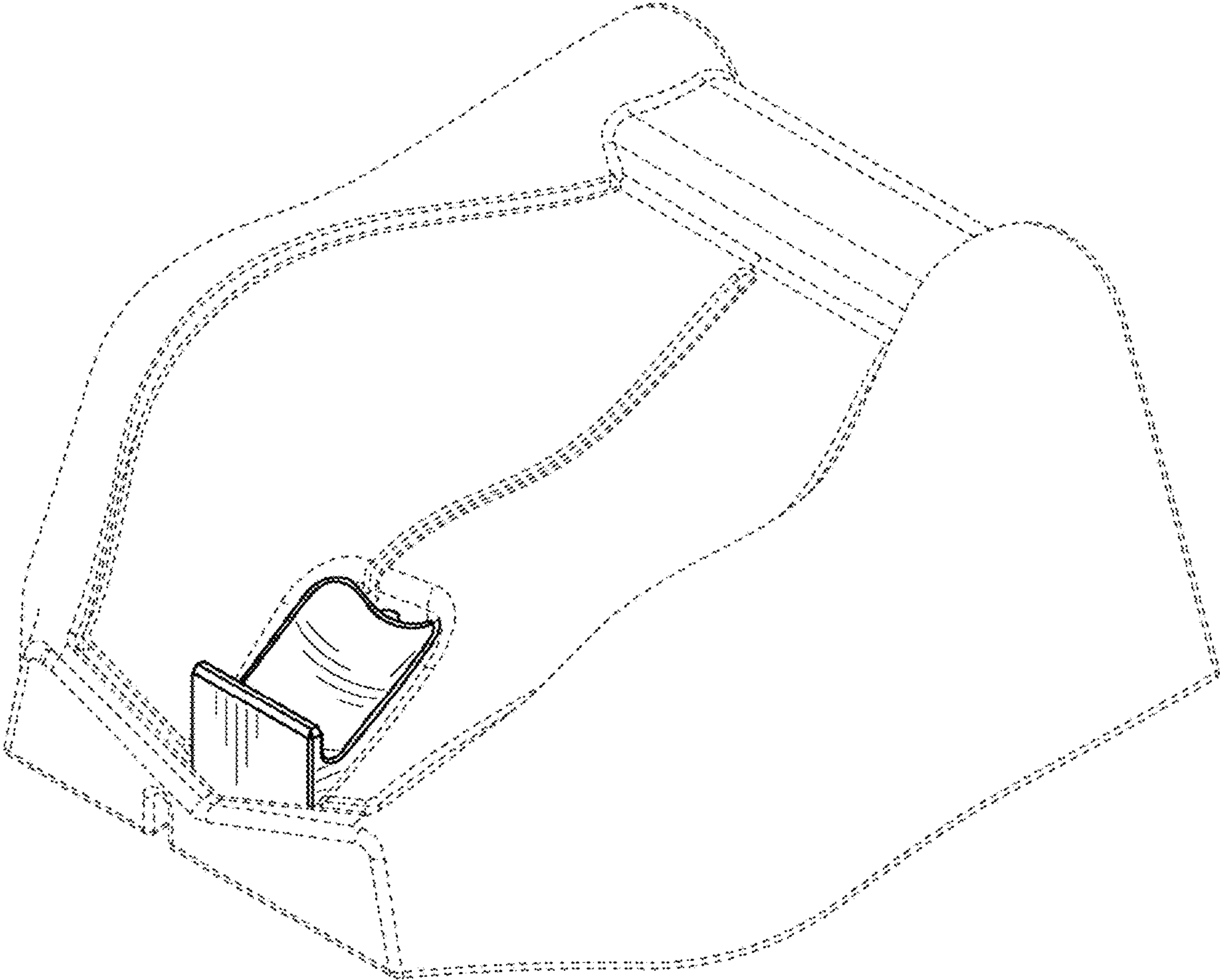


FIG. 1

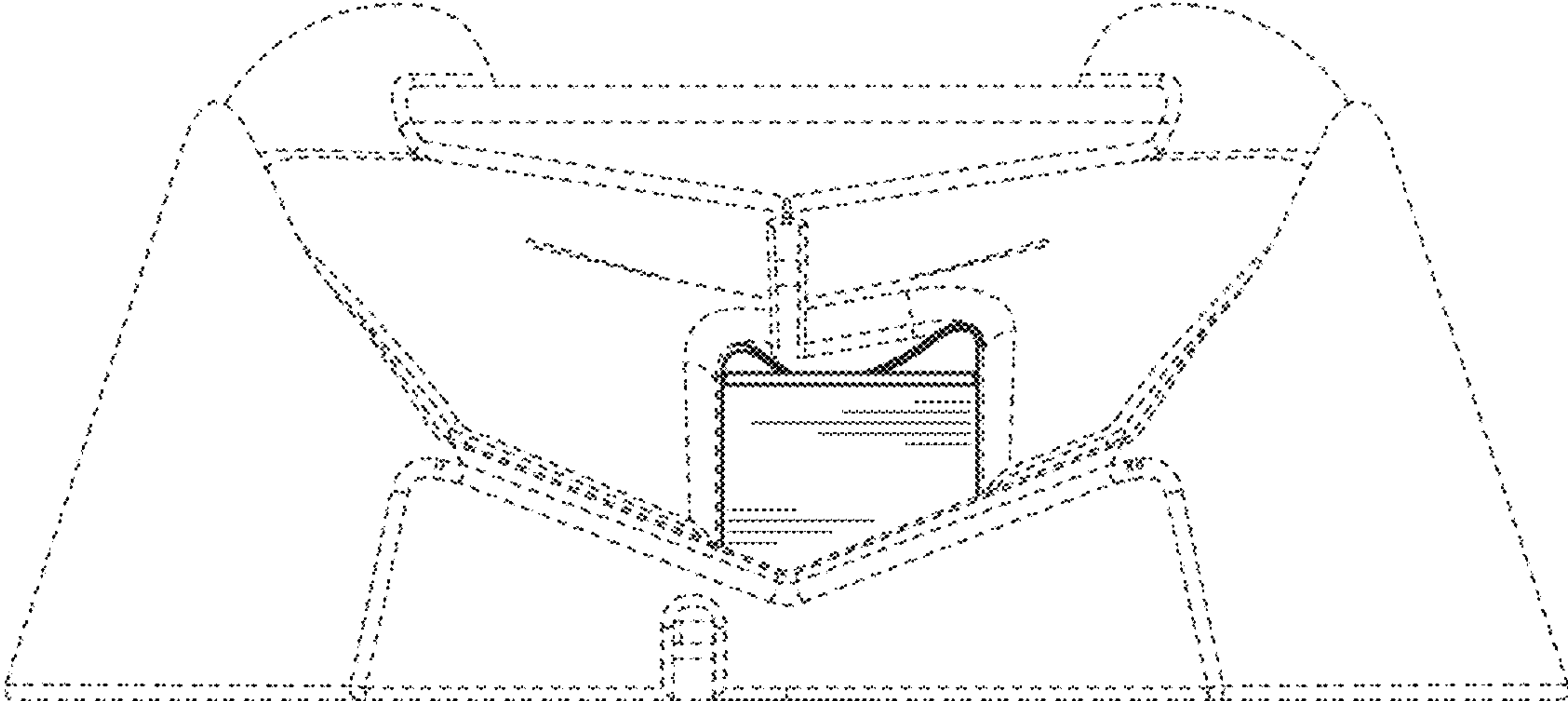


FIG. 2

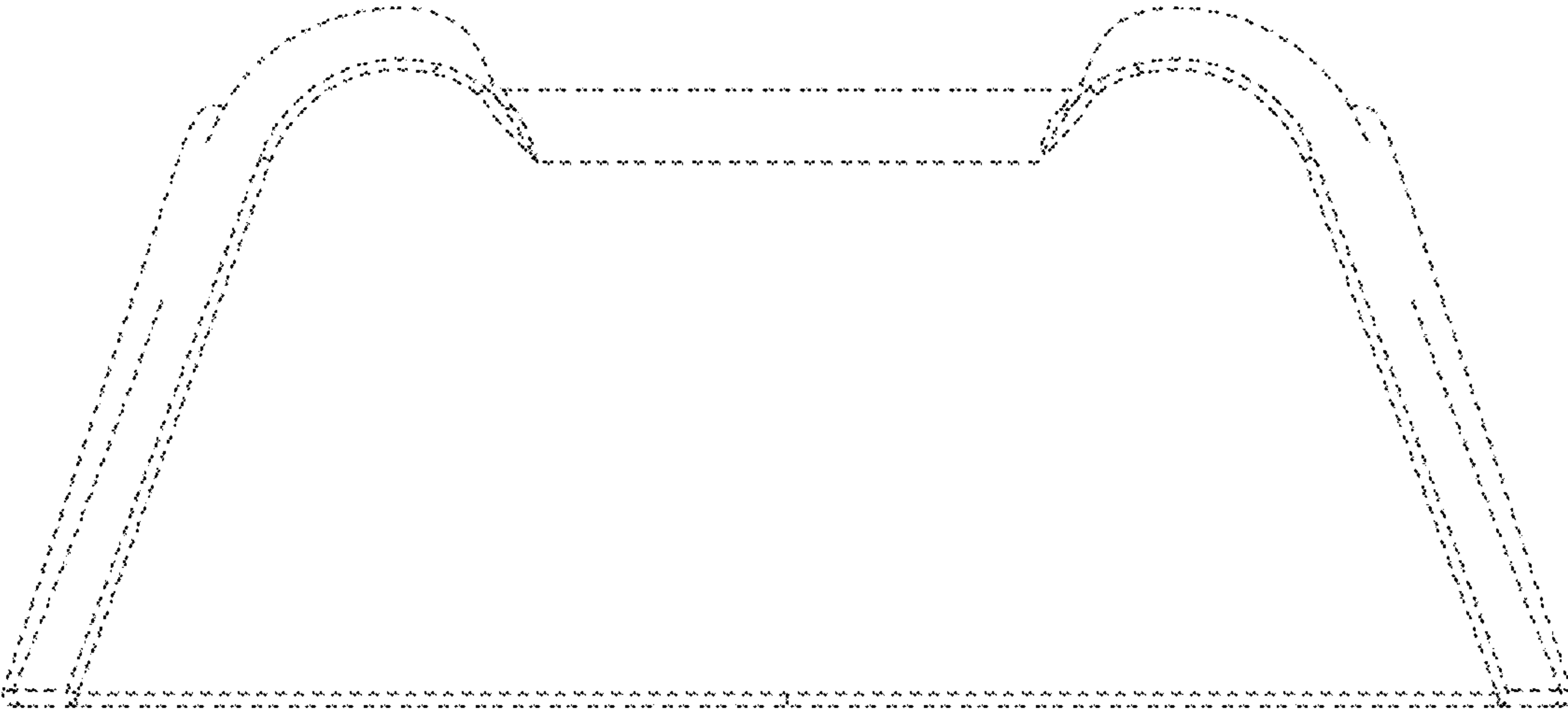


FIG. 3

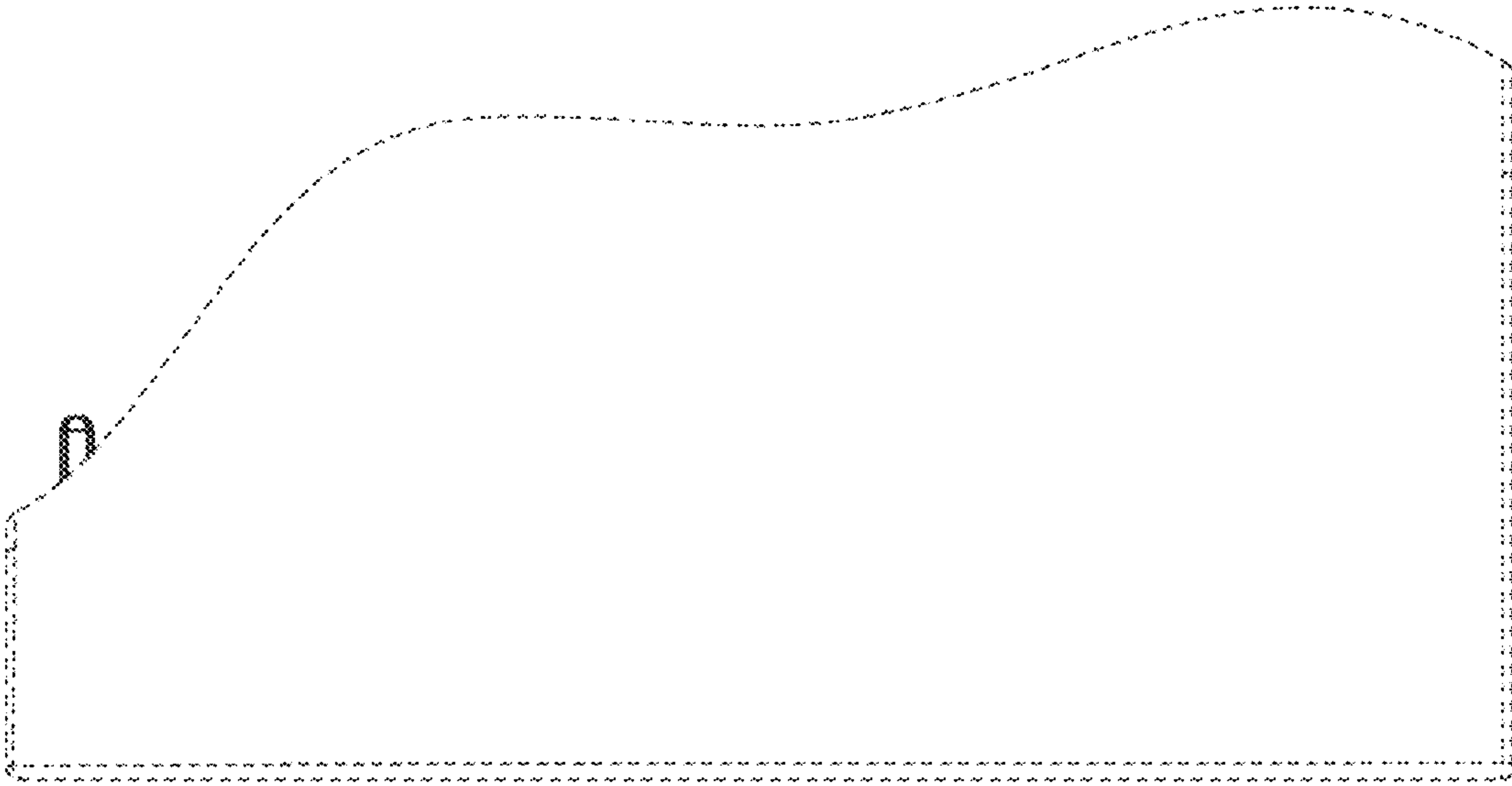


FIG. 4

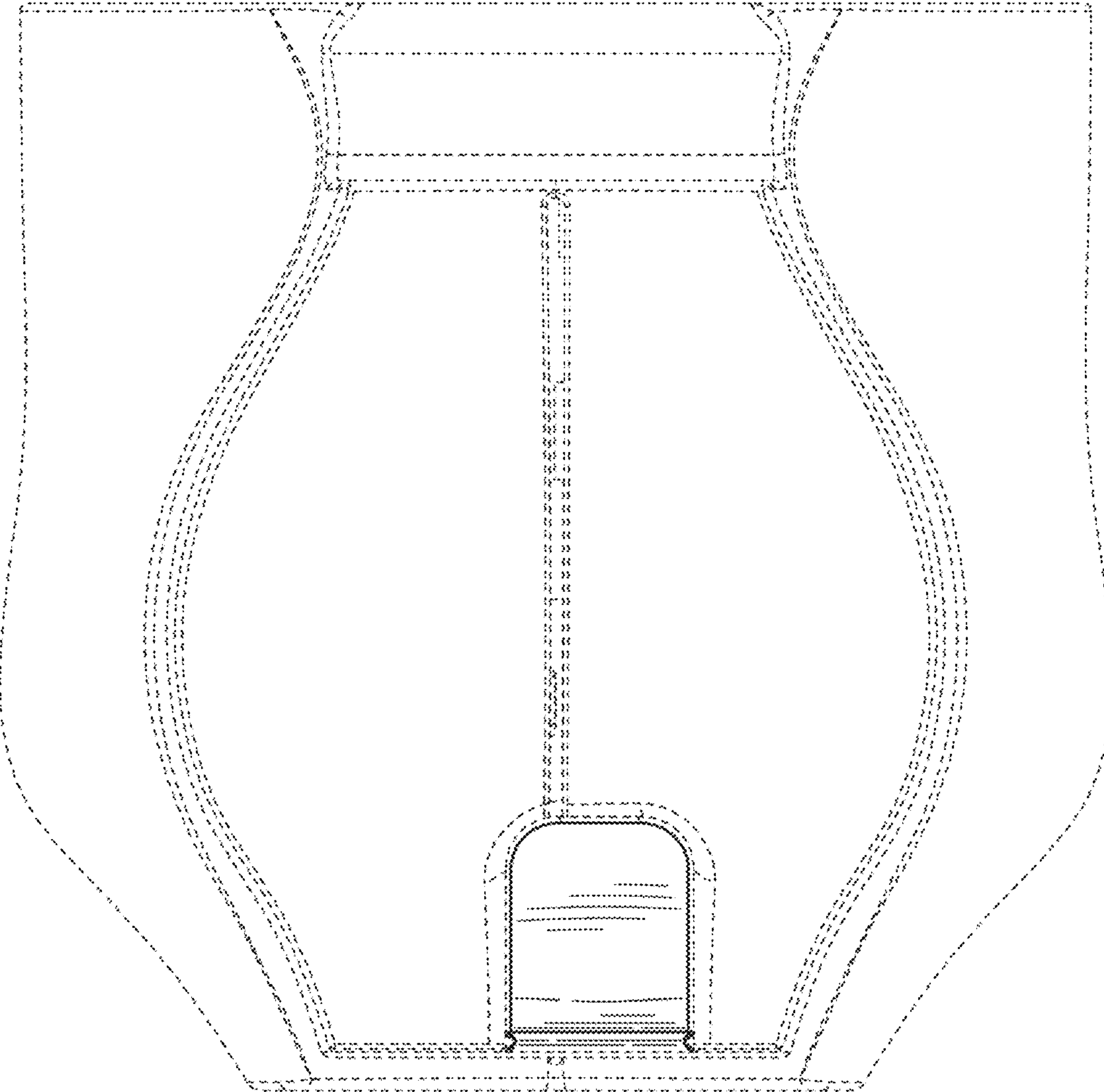


FIG. 5

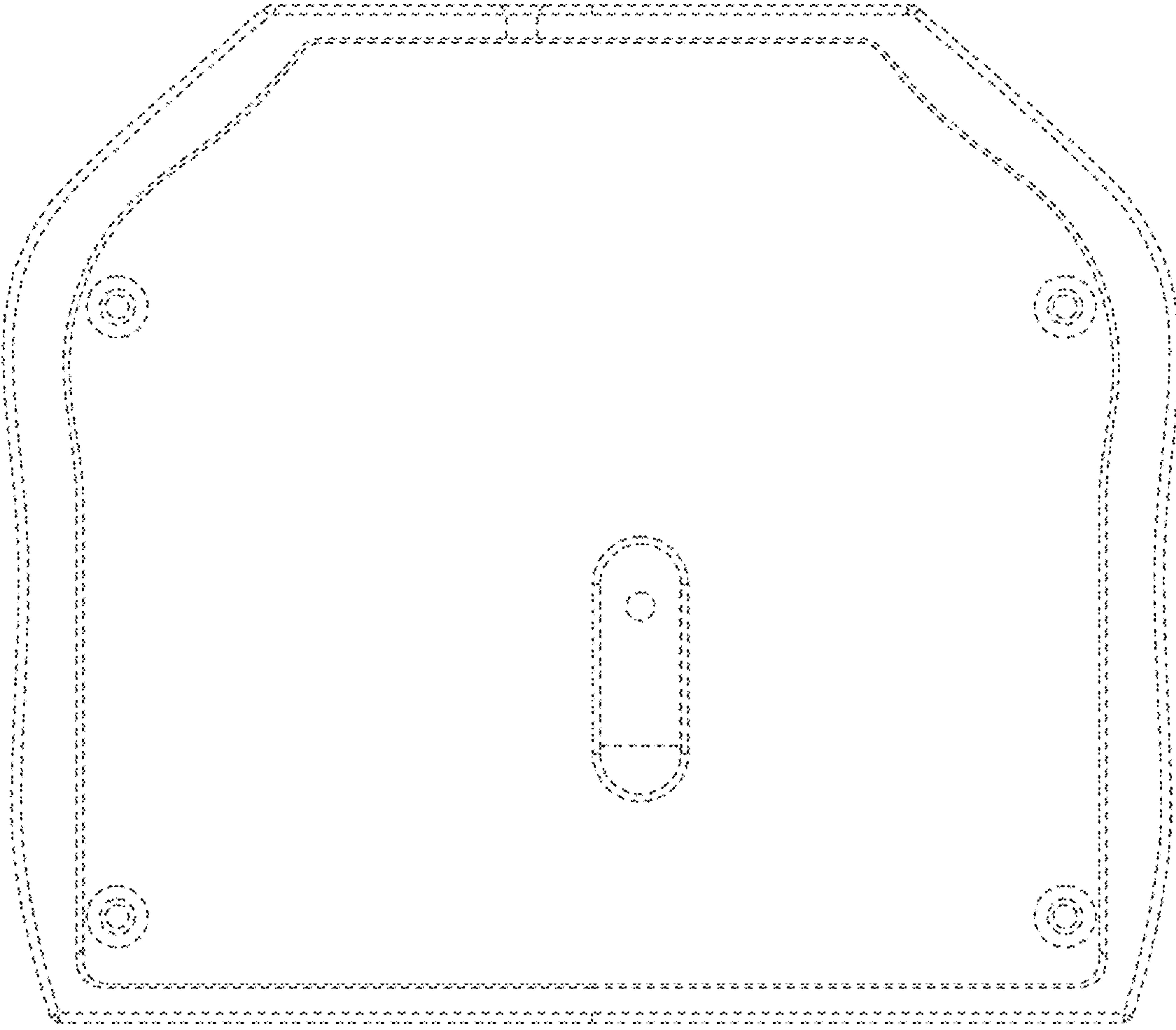


FIG. 6

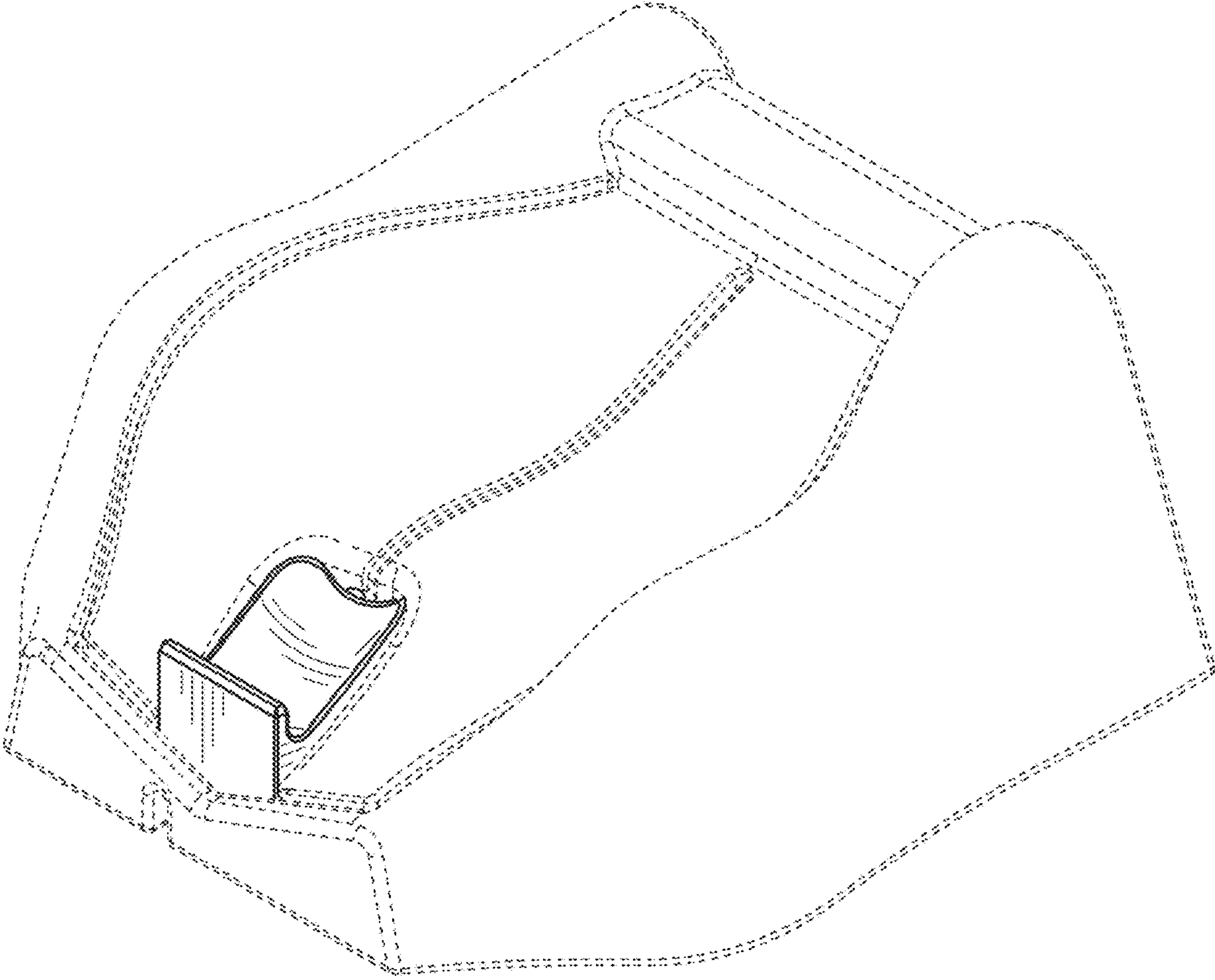


FIG. 7

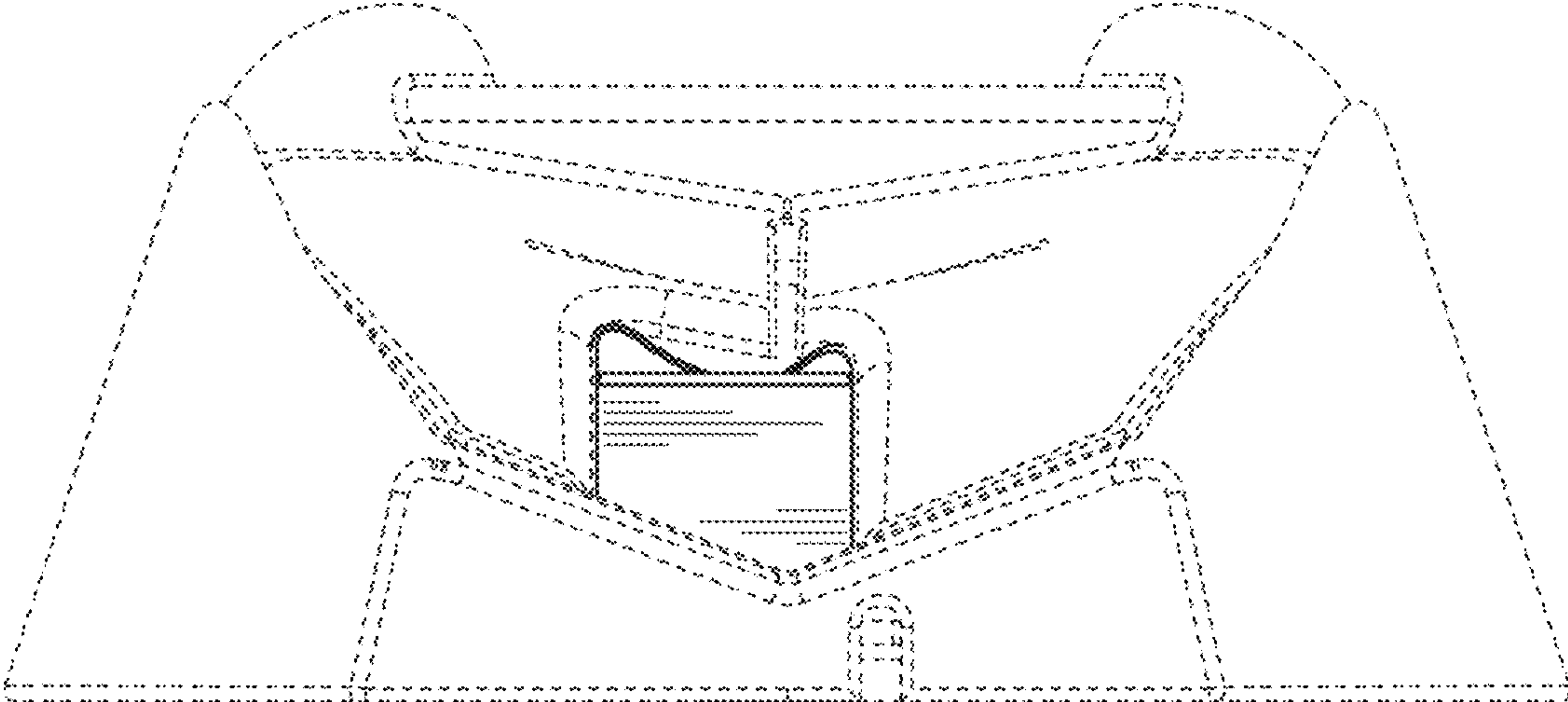


FIG. 8

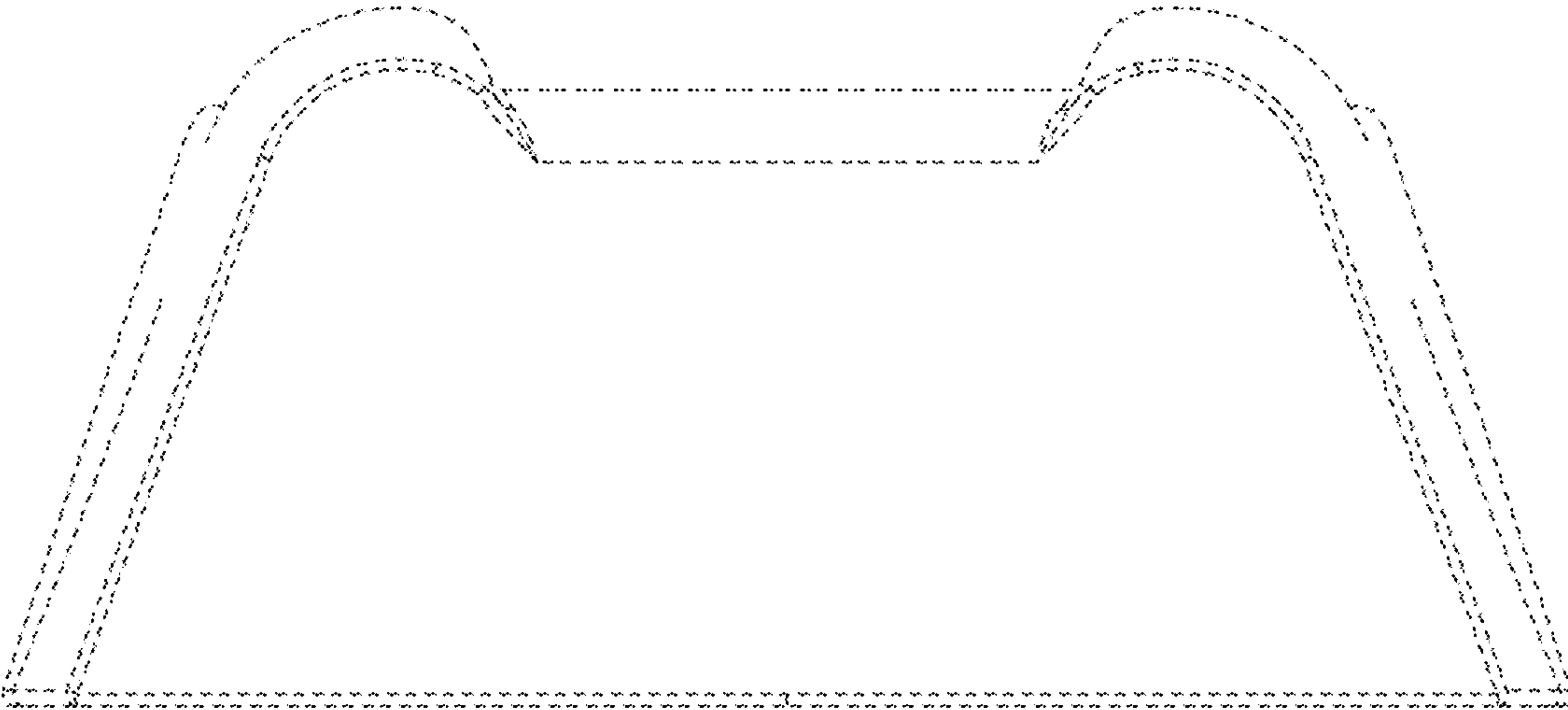


FIG. 9

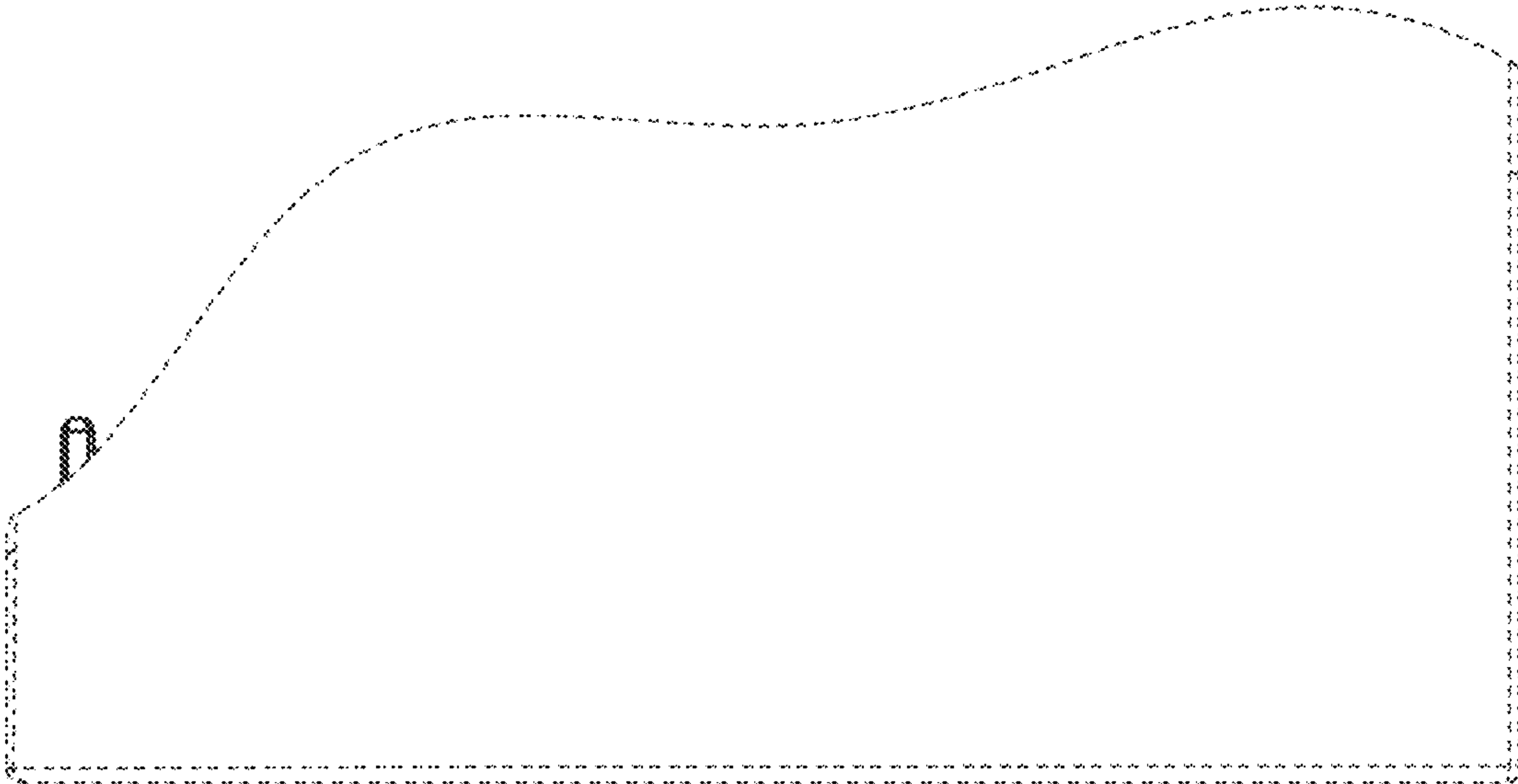


FIG. 10

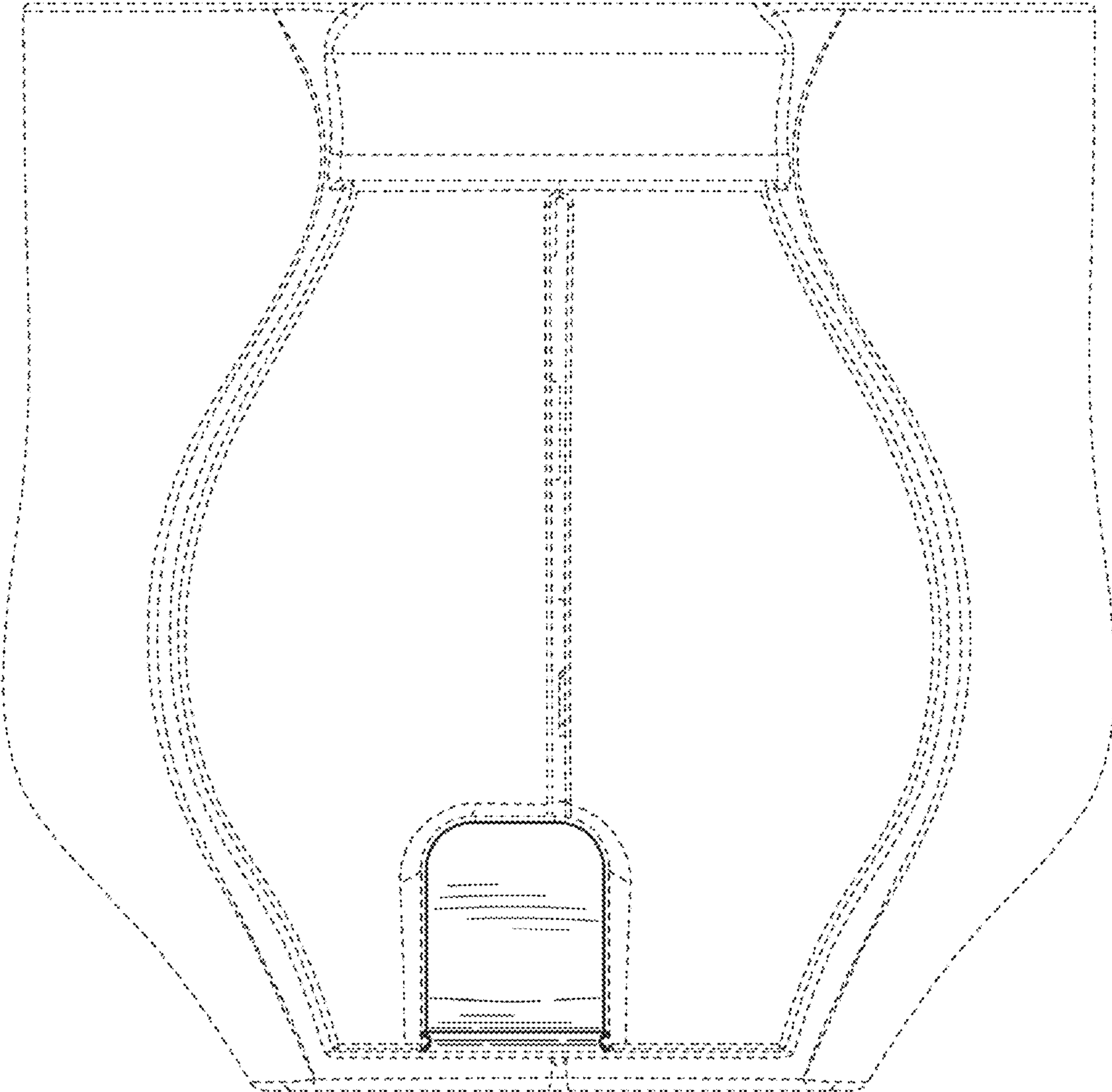


FIG. 11

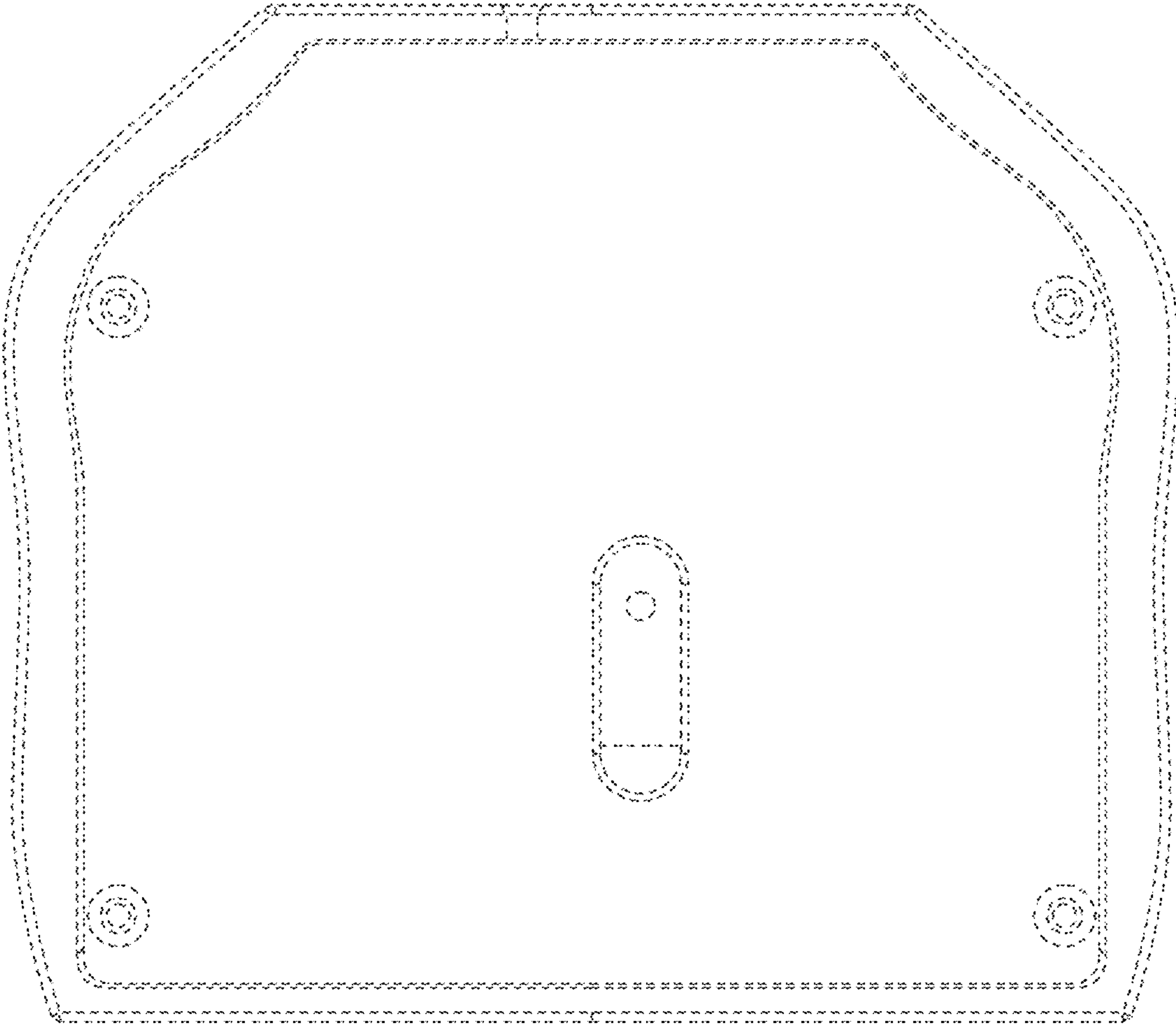


FIG. 12