

US0D1012709S

(12) **United States Design Patent**
Kuo

(10) **Patent No.:** **US D1,012,709 S**

(45) **Date of Patent:** **** Jan. 30, 2024**

(54) **CUSHIONING MATERIAL FOR PACKAGING**

(71) Applicant: **DONG GUAN WANG QUAN PAPER CO., LTD**, Dongguan (CN)

(72) Inventor: **Shenghsi Kuo**, Hsinchu (TW)

(73) Assignee: **DONG GUAN WANG QUAN PAPER CO., LTD**, Dongguan (CN)

(**) Term: **15 Years**

(21) Appl. No.: **29/904,630**

(22) Filed: **Oct. 10, 2023**

(51) **LOC (14) Cl.** **09-07**

(52) **U.S. Cl.**
USPC **D9/456**

(58) **Field of Classification Search**

USPC D9/414, 416, 424, 434, 456, 499, 715,
D9/721; D3/318, 319; D25/119, 120,
D25/121, 122, 123, 124, 125, 126, 129,
D25/138, 142

CPC B65D 5/50; B65D 5/5004; B65D 5/5035;
B65D 5/5045; B65D 5/5069; B65D
5/5073; B65D 5/5076; B65D 5/5085;
B65D 81/02; B65D 81/022; B65D
81/025; B65D 81/05; B65D 81/051;
B65D 81/053; B65D 81/054

See application file for complete search history.

(56) **References Cited**

U.S. PATENT DOCUMENTS

6,186,329 B1 * 2/2001 Qiu B65D 5/5033
206/320
6,199,700 B1 * 3/2001 Yamamoto B65D 5/5069
206/320
6,234,314 B1 * 5/2001 Qiu B65D 5/5033
206/320
6,247,596 B1 * 6/2001 Muyskens B65D 81/054
206/586

D461,714 S 8/2002 Hamada
D461,715 S 8/2002 Hamada
D552,760 S * 10/2007 Seiling D25/122
D561,354 S * 2/2008 Antonic D25/122
D874,278 S * 2/2020 Leal Cerda D9/456
D874,279 S * 2/2020 Leal Cerda D9/456

(Continued)

FOREIGN PATENT DOCUMENTS

KR 300934635.0000 * 12/2017

OTHER PUBLICATIONS

CR Laurence Corner Post Extrusion, posted at Amazon.com on Dec. 7, 2011, [site visited Oct. 30, 2023]. Available from internet, URL: <<https://www.amazon.com/Buffered-Brite-Anodized-Corner-Extrusion/dp/B006JCLJE4>> (Year: 2011).*

(Continued)

Primary Examiner — Andrew Kerr

Assistant Examiner — Chariton Alexakis

(74) *Attorney, Agent, or Firm* — Georgi Korobanov

(57)

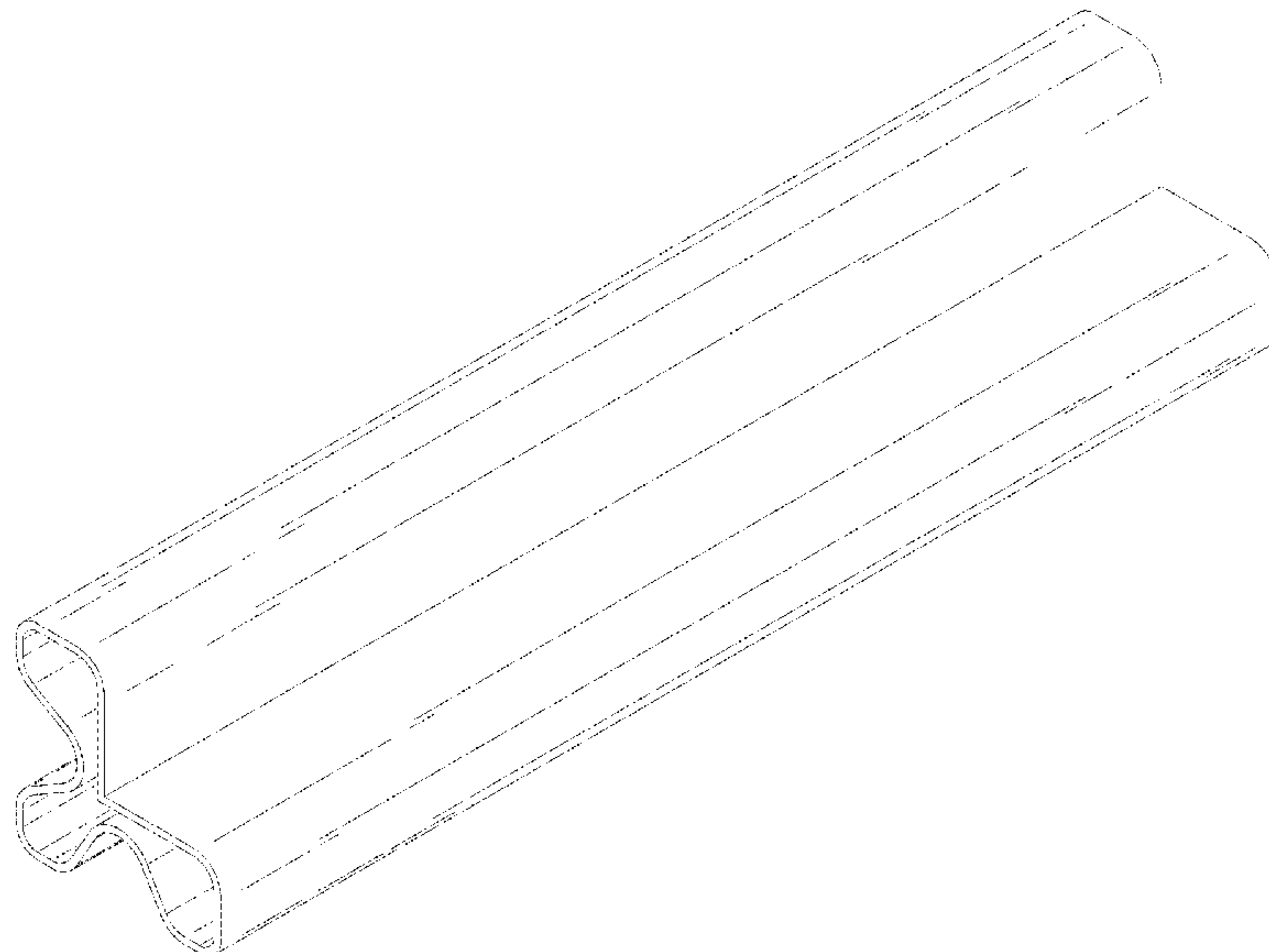
CLAIM

The ornamental design for a cushioning material for packaging, as shown and described.

DESCRIPTION

FIG. 1 is a front, left and top perspective view of a cushioning material for packaging, showing my new design; FIG. 2 is a rear, right and bottom perspective view thereof; FIG. 3 is a front view thereof; FIG. 4 is a rear view thereof; FIG. 5 is a left side view thereof; FIG. 6 is a right side view thereof; FIG. 7 is a top plan view thereof; and, FIG. 8 is a bottom plan view thereof.

1 Claim, 8 Drawing Sheets



(56)

References Cited

U.S. PATENT DOCUMENTS

D885,916	S	*	6/2020	Leal Cerda	D9/456
D885,917	S	*	6/2020	Leal Cerda	D9/456
D908,004	S	*	1/2021	Voorhees	D9/456
D908,005	S	*	1/2021	Voorhees	D9/456
D908,499	S	*	1/2021	Voorhees	D9/456
D964,170	S	*	9/2022	Voorhees	D9/456
D984,896	S	*	5/2023	Cerda	D9/456
2010/0000906	A1	*	1/2010	Muyskens	B65D 81/054 206/586

OTHER PUBLICATIONS

Urbanhouse Heavy Duty Corner Guard Edge Protector, posted at Amazon.com on Mar. 3, 2020, [site visited Nov. 2, 2023]. Available from internet, URL: <<https://www.amazon.com/urbanhouse-High-Density-Protector-Workshops-Warehouses/dp/B085G59ML2/>> (Year: 2021).*

* cited by examiner

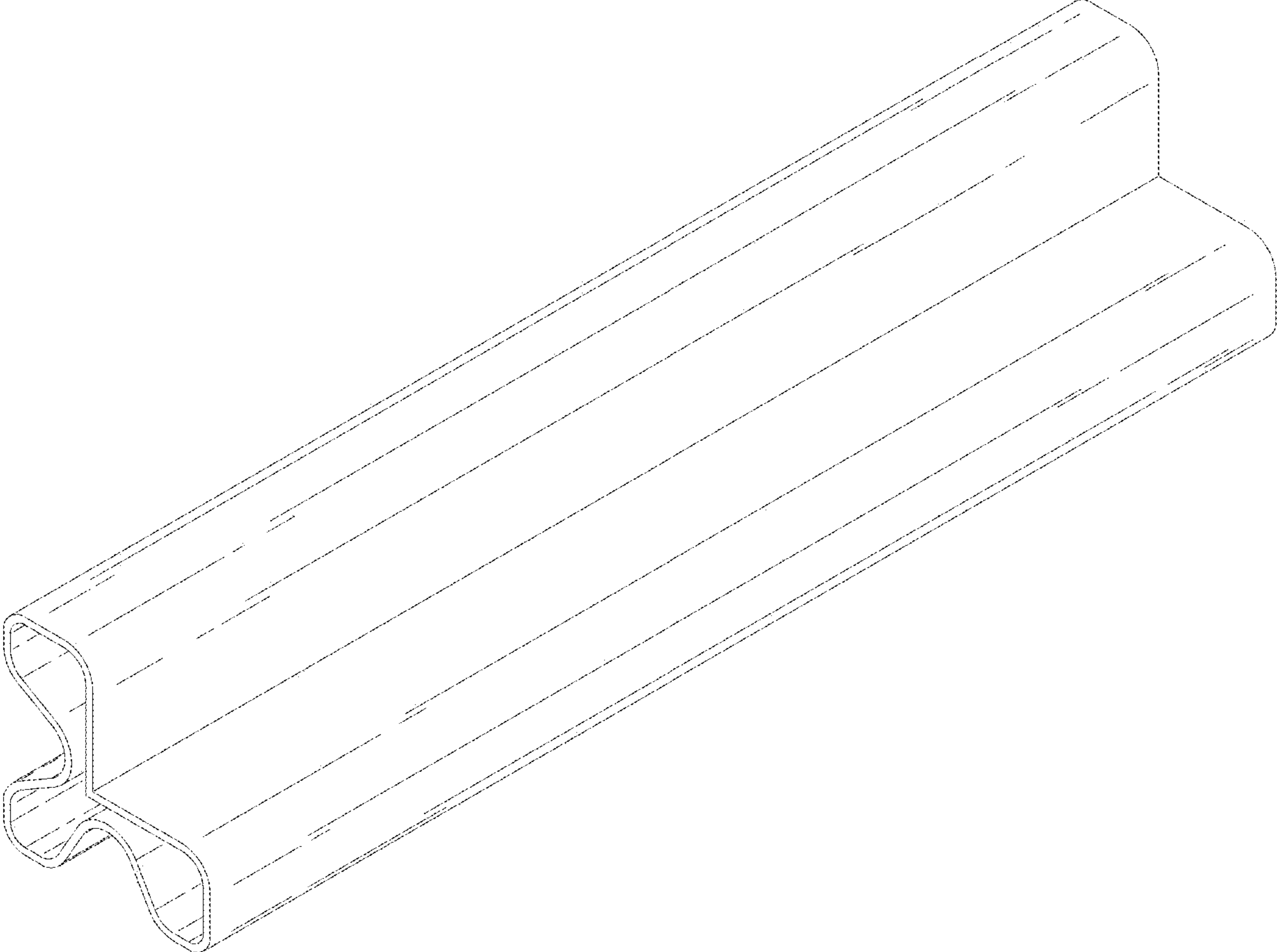


FIG. 1

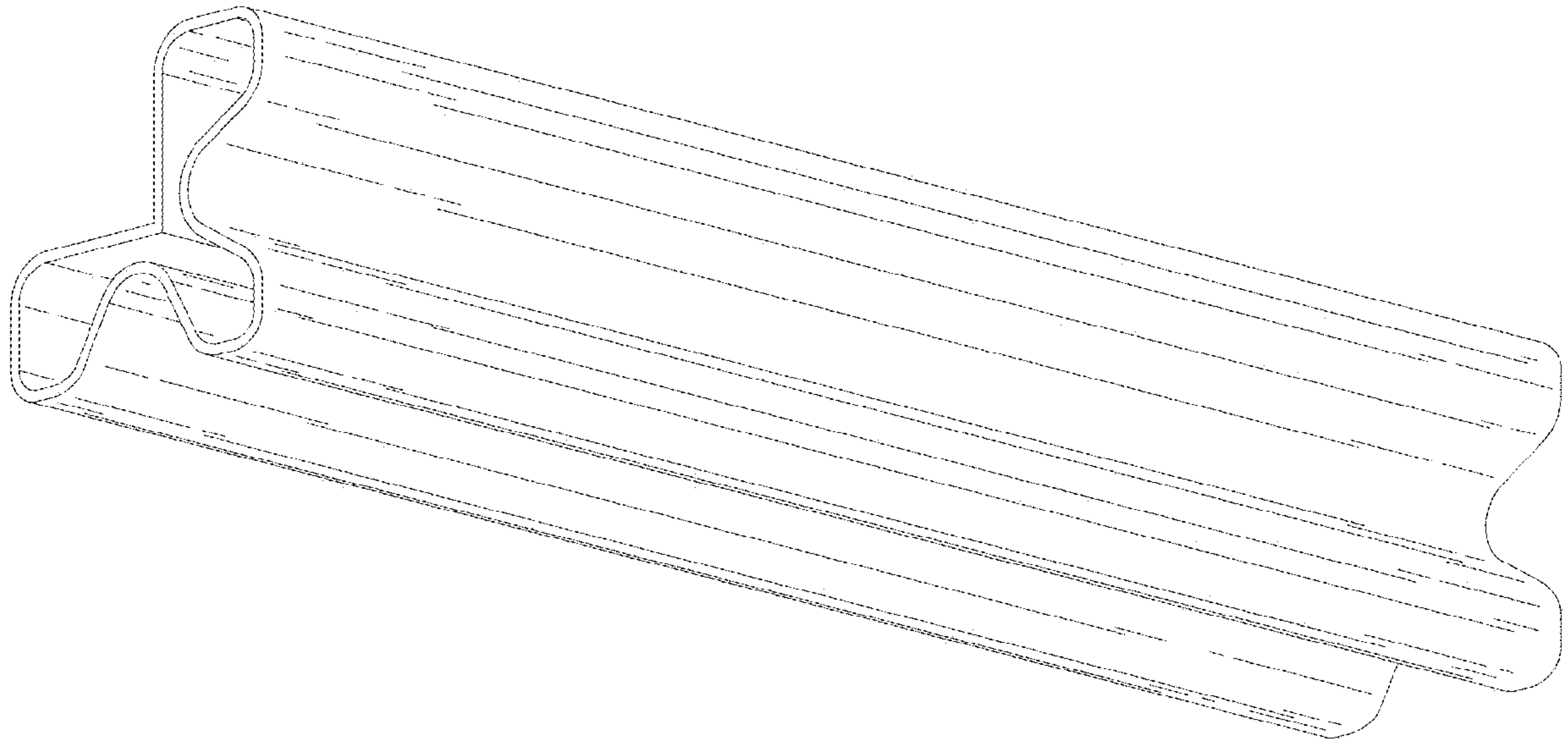


FIG. 2

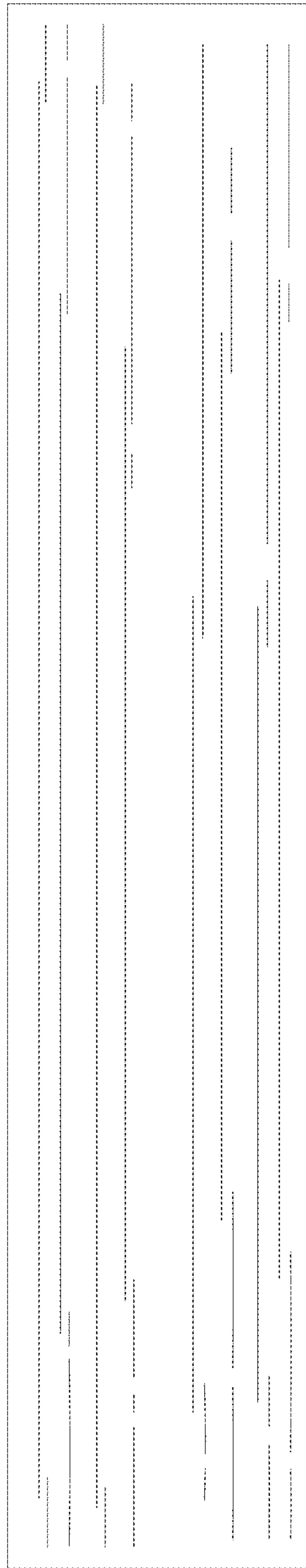


FIG. 3

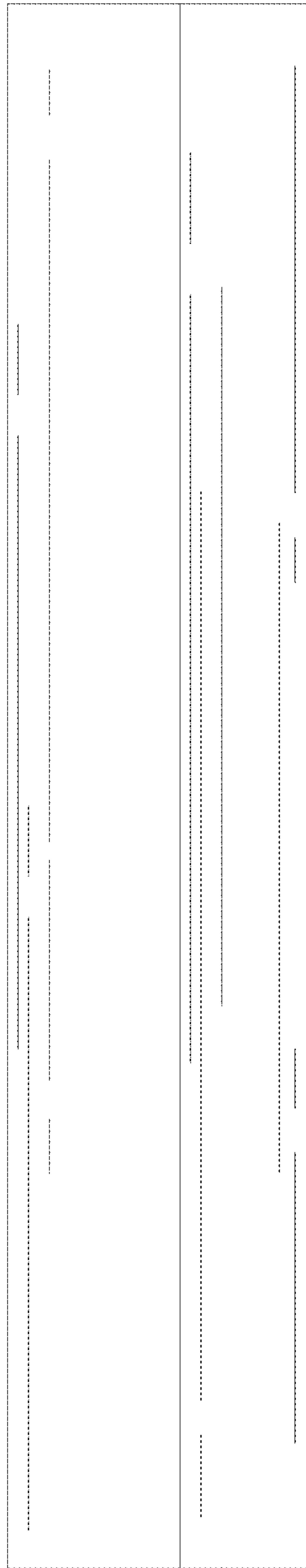


FIG. 4

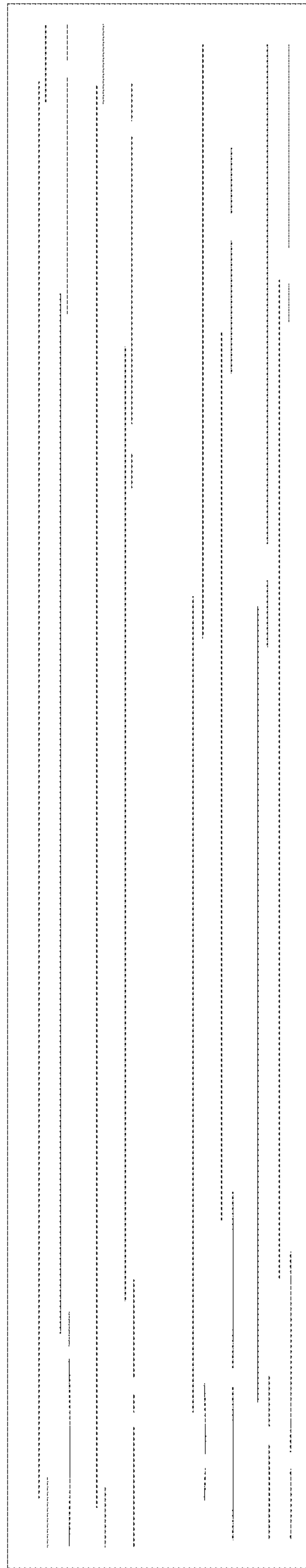


FIG. 5

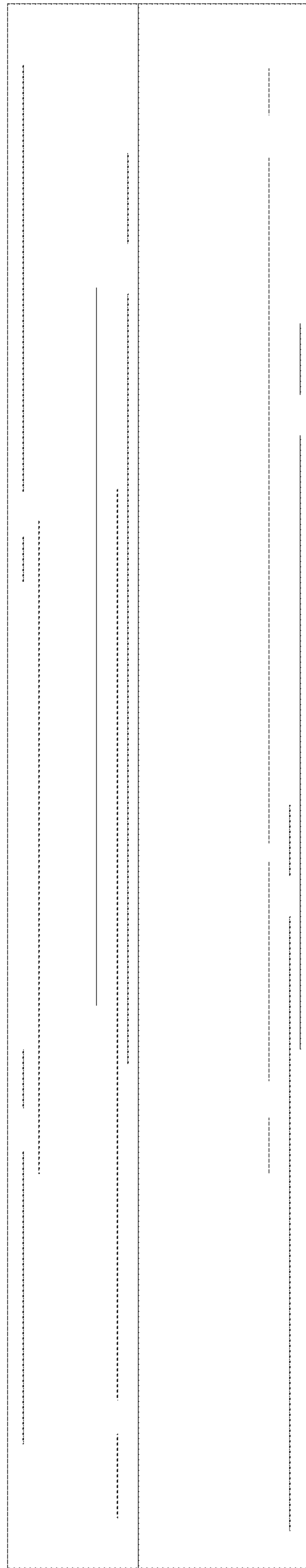


FIG. 6

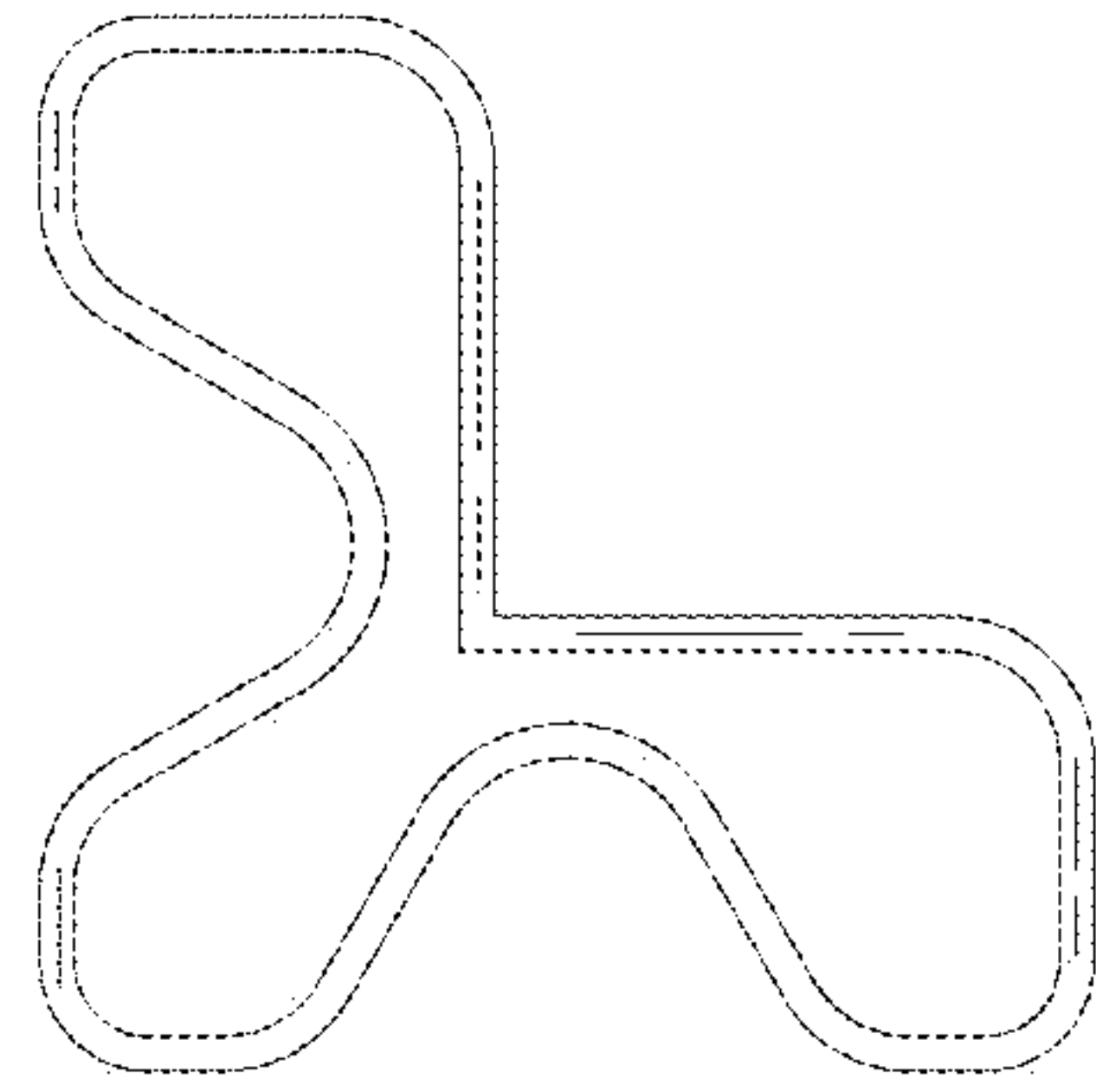


FIG. 7

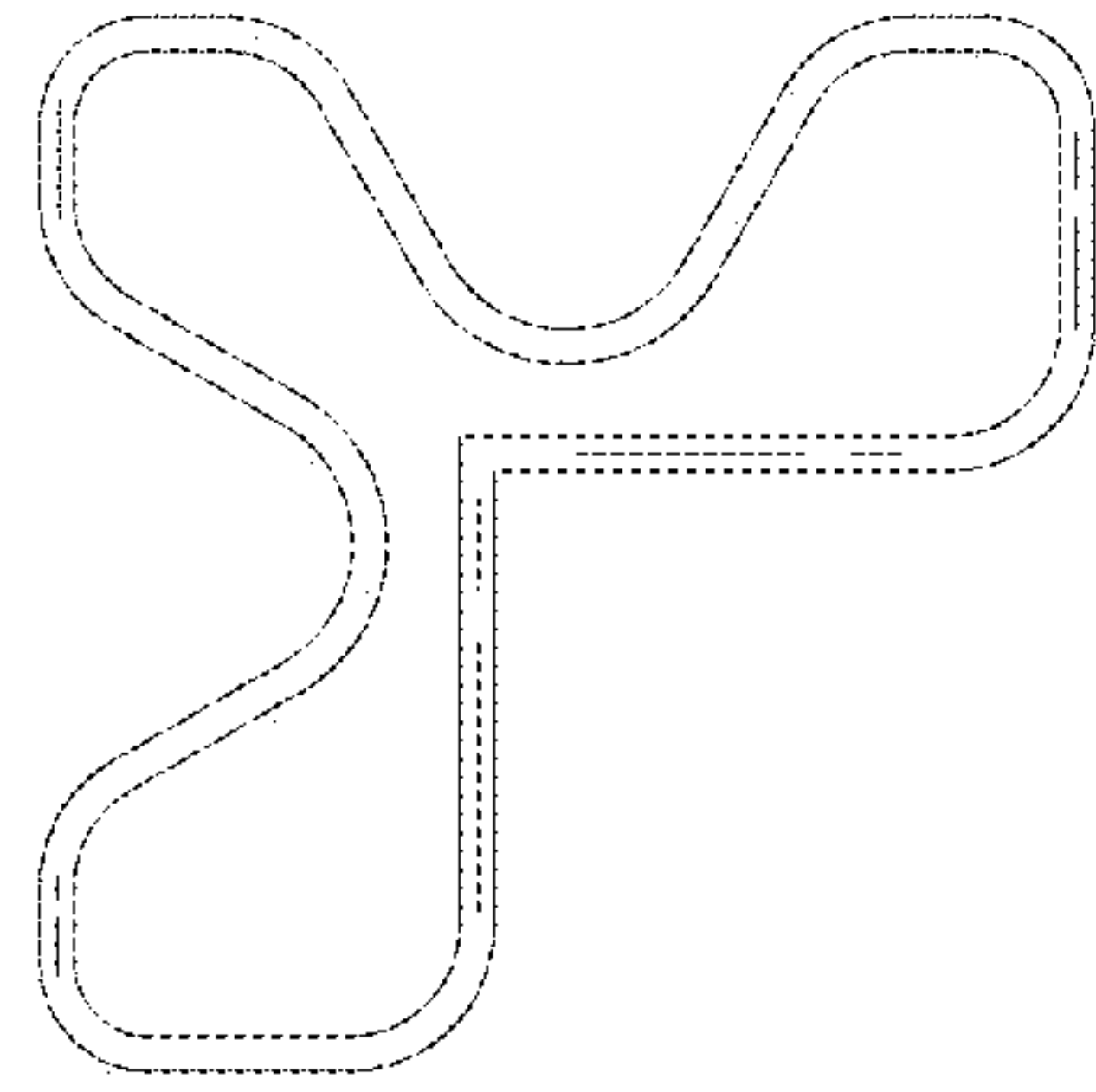


FIG. 8