



US0D1012692S

(12) **United States Design Patent**
Kish et al.

(10) **Patent No.: US D1,012,692 S**

(45) **Date of Patent: ** *Jan. 30, 2024**

(54) **ASSEMBLED CARTON FOR FROZEN
DESSERT**

3,150,769 A * 9/1964 Cohn B65D 85/04
242/129

(71) Applicant: **Andy's Frozen Custard Holdings,
LLC, Springfield, MO (US)**

3,780,934 A 12/1973 Gardner
D242,901 S * 1/1977 Lohrbach D9/432
4,238,069 A 12/1980 Morris, Jr.
D259,175 S * 5/1981 Austin, Jr. D9/431

(72) Inventors: **Thomas Kish, Rogersville, MO (US);
Andy Kuntz, Springfield, MO (US);
Todd Arth, Springfield, MO (US)**

(Continued)

FOREIGN PATENT DOCUMENTS

(73) Assignee: **Andy's Frozen Custard Holdings,
LLC, Springfield, MO (US)**

DE 69725250 T2 * 7/2004
KR 20160001684 U * 5/2016

OTHER PUBLICATIONS

(*) Notice: This patent is subject to a terminal dis-
claimer.

Paper Mart Gable Boxes, on Amazon. Date first available: Feb. 28,
2019. Site visited: Dec. 13, 2022. Available online: https://www.amazon.com/SANDED-PEACOCK-GABLE-BOX/dp/B07NHTZQ5B?ref_ast_sto_dp (Year: 2019).*

(**) Term: **15 Years**

(Continued)

(21) Appl. No.: **29/794,869**

(22) Filed: **Jun. 15, 2021**

Primary Examiner — Catherine S Posthauer

(51) **LOC (14) Cl. 09-03**

Assistant Examiner — Joan E. Diehl

(52) **U.S. Cl.**
USPC **D9/431**

(74) *Attorney, Agent, or Firm* — AVEK IP, LLC; William
B. Kircher

(58) **Field of Classification Search**
USPC D9/423, 414, 420-421, 430-432, 517,
D9/499, 443; D3/200, 201, 272-274,
D3/305, 900, 905, 315; D7/601, 602,
D7/397, 396.1, 553.3-554.4, 629, 511;
D30/126
CPC B65D 25/205; B65D 2501/00; B65D
2501/24509; B65D 2501/24541; B65D
5/00; B65D 5/10; B65D 5/46; B65D
85/04; B65D 81/38

See application file for complete search history.

(57) **CLAIM**

The ornamental design for an assembled carton for frozen
dessert, as shown and described.

DESCRIPTION

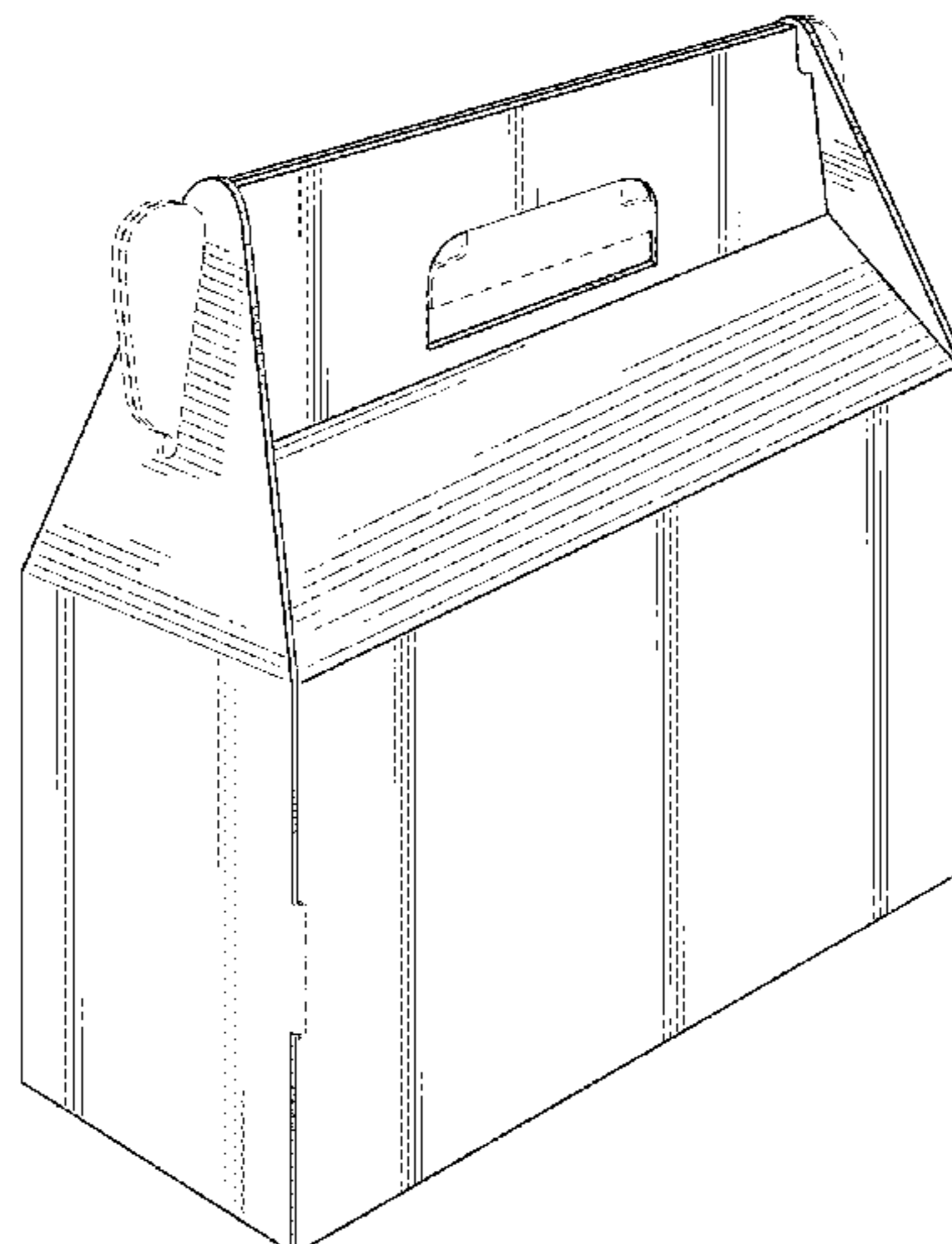
(56) **References Cited**

U.S. PATENT DOCUMENTS

2,007,810 A 7/1935 Oman
2,269,013 A 1/1942 Dorfman
2,596,087 A 5/1952 Shoudy
2,600,911 A * 6/1952 Olson A47G 23/0258
D9/434
2,714,982 A 8/1955 Strauss

FIG. 1 is a perspective view of an assembled carton for
frozen dessert, showing our new design;
FIG. 2 is a side elevational view thereof;
FIG. 3 is a top plan view thereof;
FIG. 4 is a second side elevational view thereof.
FIG. 5 is a third side elevational view thereof; and,
FIG. 6 is a bottom plan view thereof.
The broken lines are shown for the purpose of illustrating
parts of the article that form no part of the claimed design.

1 Claim, 4 Drawing Sheets



(56)

References Cited

U.S. PATENT DOCUMENTS

4,403,728 A 9/1983 Koltz
 5,042,715 A 8/1991 McNeill
 5,263,339 A 11/1993 Evans
 5,307,986 A 5/1994 Schuster
 5,392,984 A 2/1995 Yocum
 5,853,121 A 12/1998 Francisco
 6,209,785 B1 4/2001 Ben-Haim
 6,837,420 B2 1/2005 Westerman et al.
 D522,185 S * 5/2006 Donegan D30/126
 D576,482 S * 9/2008 DeBusk D9/431
 D680,425 S * 4/2013 Boswell D9/431
 D685,633 S * 7/2013 Thomas D9/431
 D690,590 S * 10/2013 Fux D9/431
 8,573,430 B2 * 11/2013 Costanzo, Jr. B65D 25/205
 229/117.14
 D758,182 S 6/2016 Sponselee
 9,499,294 B1 11/2016 Costanzo, Jr.
 D789,783 S * 6/2017 DeBusk D9/418
 D845,760 S 4/2019 Oliveira
 2004/0031842 A1 * 2/2004 Westerman B65D 81/38
 229/117.06
 2005/0082293 A1 4/2005 Nordland et al.
 2006/0091190 A1 5/2006 Nikolai
 2007/0012068 A1 1/2007 Kaplan
 2007/0251982 A1 11/2007 Brand et al.

2008/0011621 A1 1/2008 Liu et al.
 2012/0234715 A1 9/2012 Costanzo, Jr.
 2014/0339294 A1 11/2014 Northrup
 2019/0016500 A1 1/2019 Oliveira

OTHER PUBLICATIONS

How To Package A Boxed Lunch. Date posted: Mar. 21, 2019. Site visited: Dec. 13, 2022. Available online: <https://www.youtube.com/watch?v=cuZns2sILZw> (Year: 2019).*

Mini Kraft Gable Boxes. Date first available: Jun. 3, 2014. Site visited: Dec. 7, 2022. Available online: <https://www.amazon.com/Mini-Kraft-Gable-Boxes-Quantity/dp/B00KQPFJIM> (Year: 2014).*

Andy's Anywhere 6 Pack on Facebook. Date posted: Aug. 9, 2020. Site visited: Dec. 7, 2022. Available online: <https://www.facebook.com/AndysDallasTXAudeliaRd/videos/pick-6-for-your-6-packtake-it-anywhere-andysanywhere-mixmatch6pack-6creamyfrozen/3%E2%80%A6> (Year: 2020).*

Gable Boxes—9x6x6_, Kraft S-9615—Uline, Site visited Aug. 17, 2020, (online) https://www.uline.com/Product/Detail/S-9615/Retail-Boxes/Gable-Boxes-9-x-6-x-6-Kraft?pricode=WB0234&gadtype=pla&id=S-9615&gclid=EAlaIqobChMI552KmN6i6wlVrdSzCh2vig9HEAQYAyABEgJfy_D_BwE&gclidsrc=aw.ds.

* cited by examiner

FIG. 1

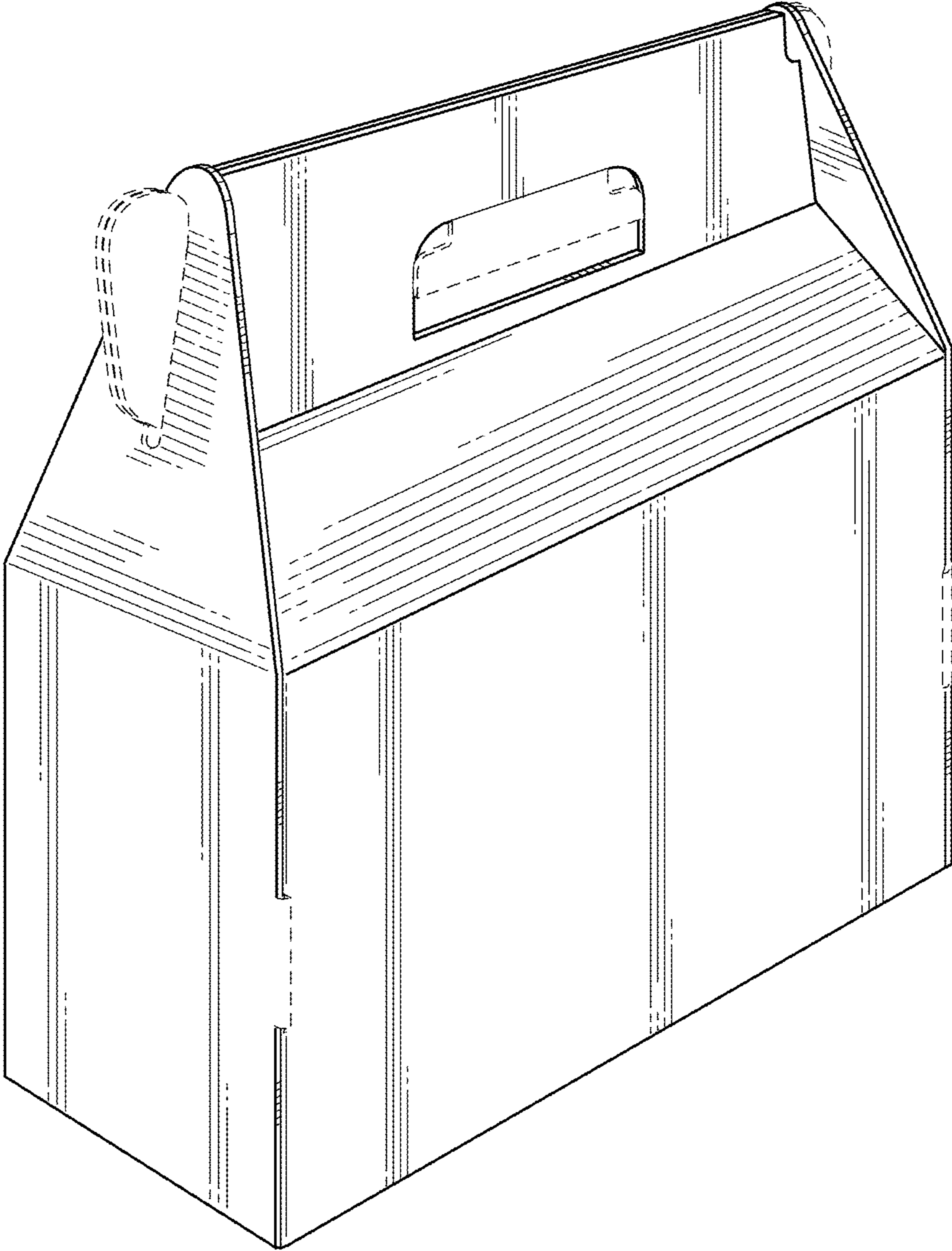


FIG. 2

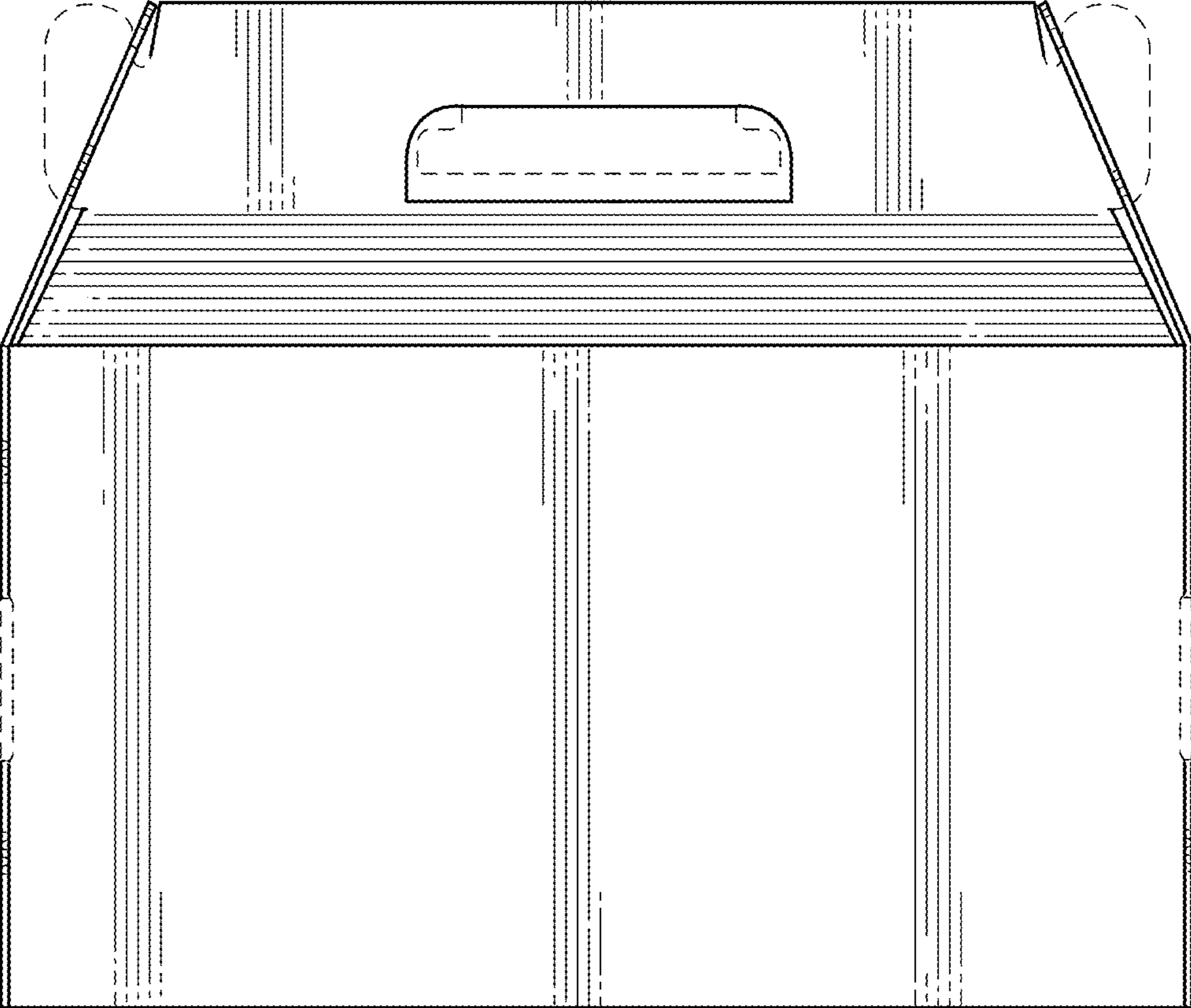


FIG. 3

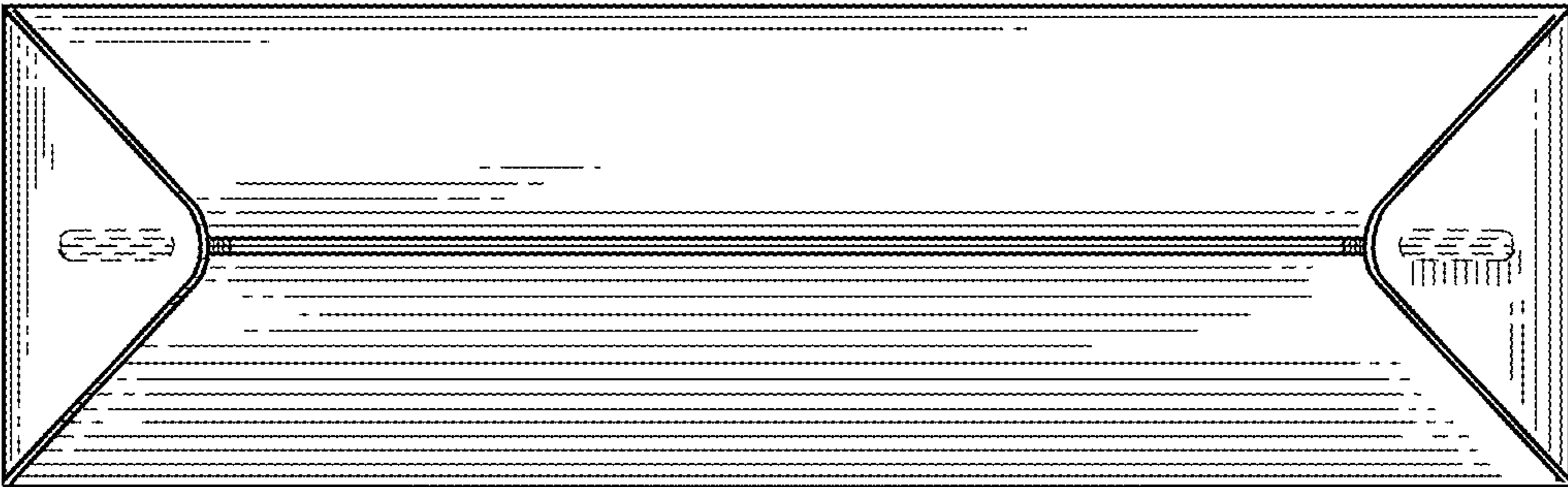


FIG. 4

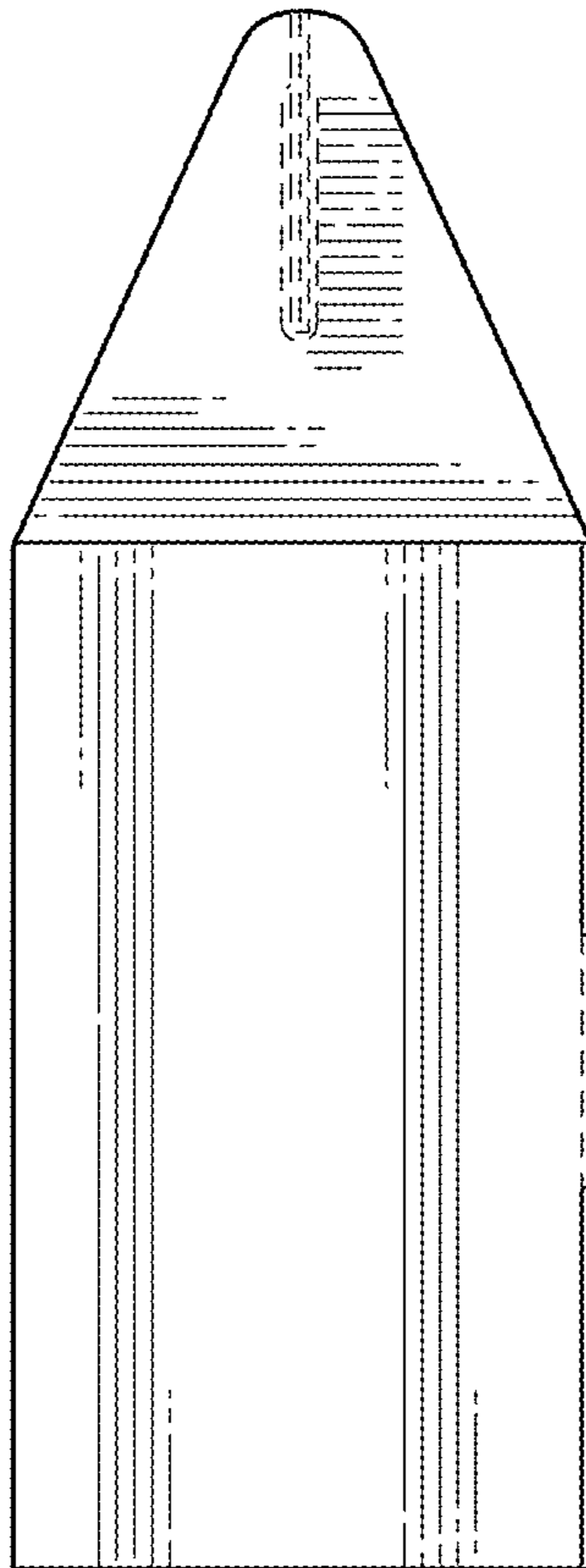


FIG. 5

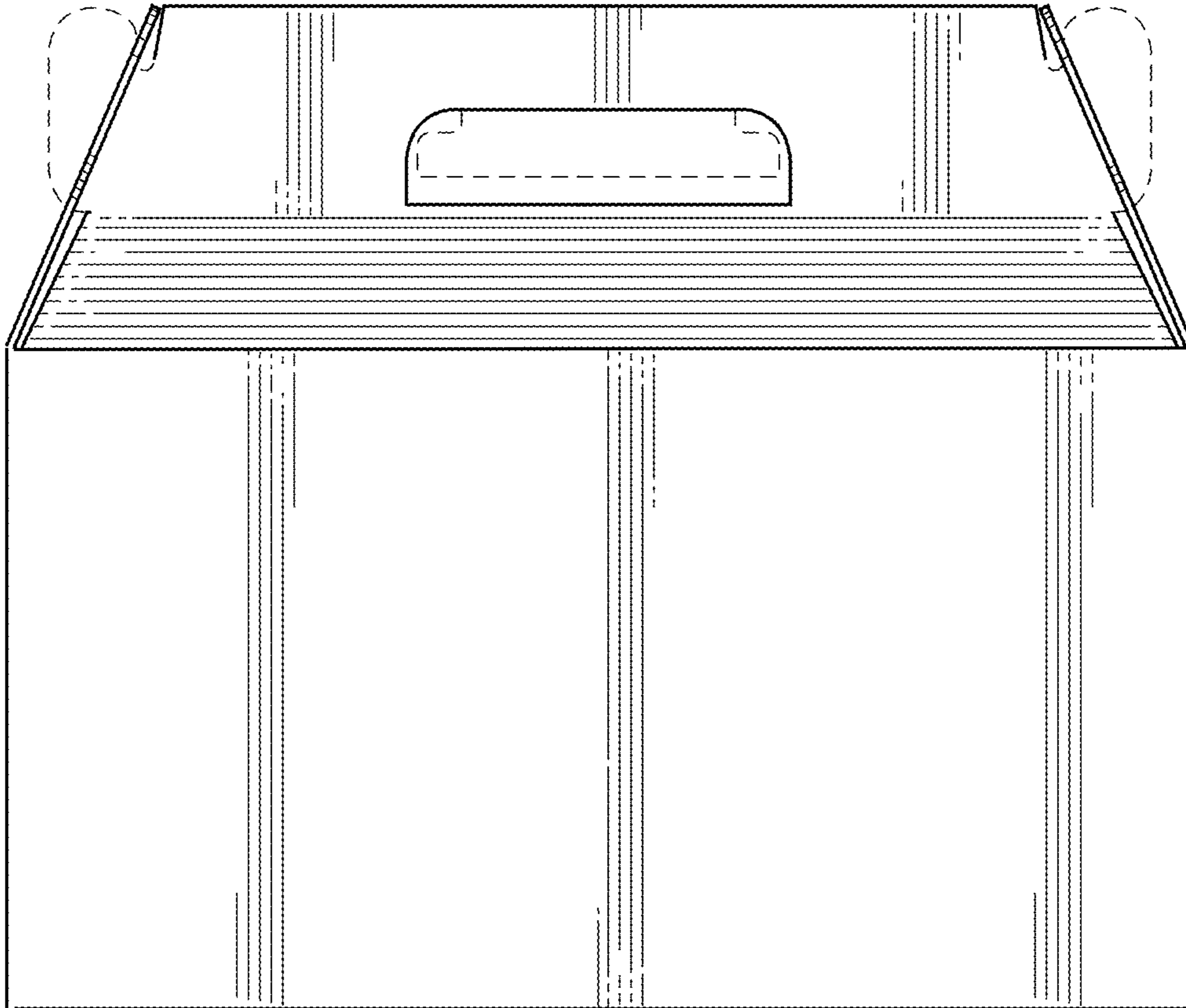


FIG. 6

