



US0D1012544S

(12) **United States Design Patent** (10) **Patent No.:** **US D1,012,544 S**
Tsaran (45) **Date of Patent:** **** Jan. 30, 2024**

(54) **DESKTOP ORGANIZER WITH GUN HOLDER**

Primary Examiner — Jennifer L Rempfer
Assistant Examiner — Bethany Louise Mallino

(71) Applicant: **Valentyn Tsaran**, Kryukivschyna (UA)

(72) Inventor: **Valentyn Tsaran**, Kryukivschyna (UA)

(**) Term: **15 Years**

(21) Appl. No.: **29/816,932**

(22) Filed: **Nov. 26, 2021**

(51) **LOC (14) Cl.** **06-04**

(52) **U.S. Cl.**
USPC **D6/552**

(58) **Field of Classification Search**
USPC D3/222; D6/552, 675.2; D14/224;
D19/75, 95; D8/354
CPC A45C 11/321; A47F 7/02; A47F 7/022;
A47F 7/0028; B43M 99/00
See application file for complete search history.

(56) **References Cited**

U.S. PATENT DOCUMENTS

D322,990 S *	1/1992	Samuelson	D19/86
D354,081 S *	1/1995	Ancona	D19/78
D436,377 S *	1/2001	Young	D10/2
D469,126 S *	1/2003	Joss	D19/78
D486,492 S *	2/2004	Sheu	D14/434
D587,051 S *	2/2009	Vining	D6/552
D668,297 S *	10/2012	Tello	D19/75

(Continued)

OTHER PUBLICATIONS

Awofer: Police Officer Wood Docking Station, Nightstand Organizer for Men with Gun Holder, Pistol Rack, Phone Stand, iWatch Charging, Ring Holder, Pen Slot—Gifts for Police Officer, Husband, Boyfriend, Dad <https://a.co/d/3b5q95y>, Sep. 3, 2021 (Year: 2021).*

(Continued)

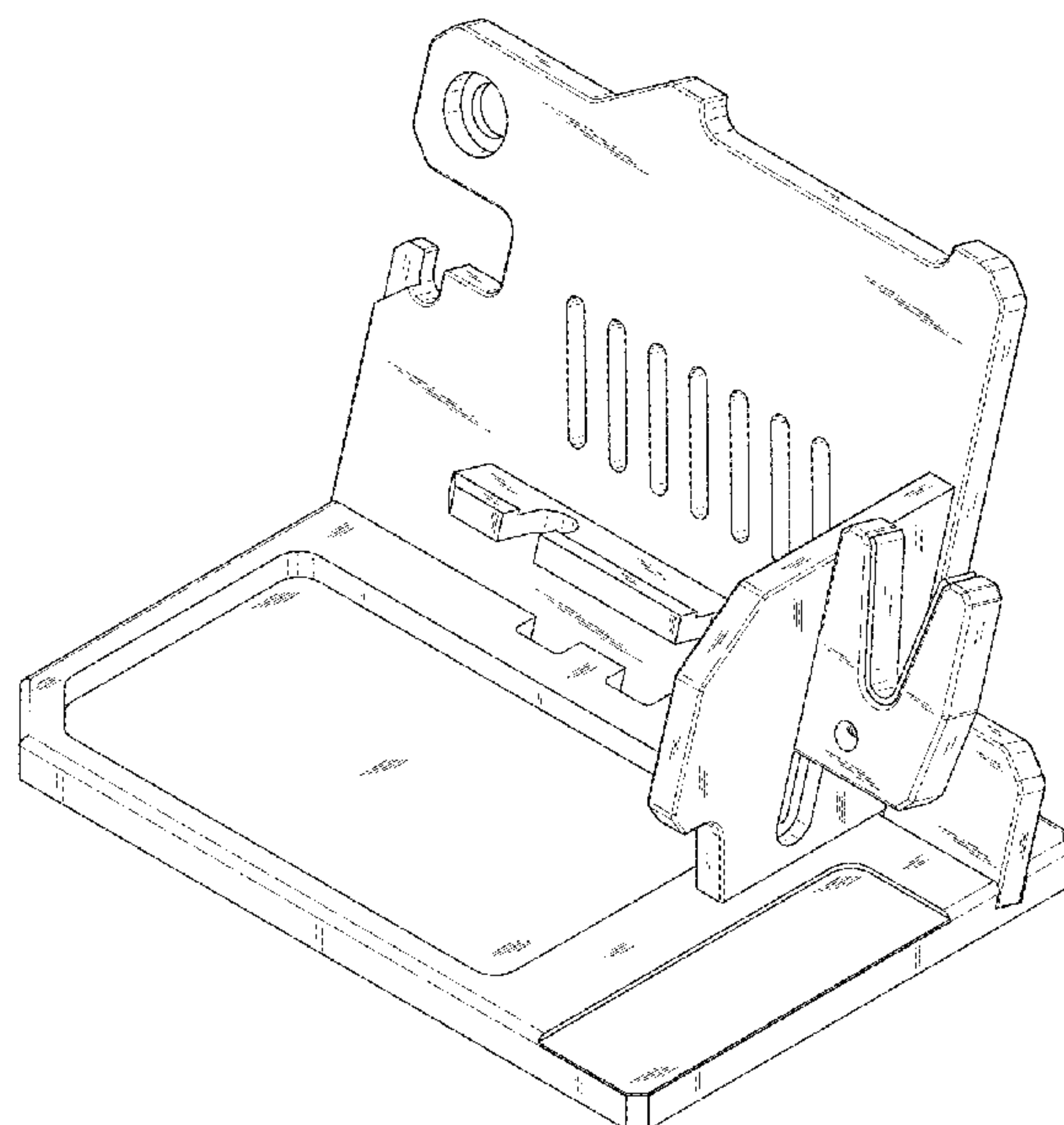
(57) **CLAIM**

I claim the ornamental design of a desktop organizer with gun holder, as shown and described.

DESCRIPTION

FIG. 1 is a perspective view of the desktop organizer with gun holder showing my new design;
FIG. 2 is a front view of desktop organizer with gun holder;
FIG. 3 is a rear view of a desktop organizer with gun holder;
FIG. 4 is a left side view of desktop organizer with gun holder
FIG. 5 is a right side view of desktop organizer with gun holder;
FIG. 6 is a top view of desktop organizer with gun holder;
FIG. 7 is a bottom view of desktop organizer with gun holder;
FIG. 8 is a alternative perspective view of desktop organizer with gun holder;
FIG. 9 is a perspective exploded view of desktop organizer with gun holder;
FIG. 10 is a perspective view of an alternative embodiment of desktop organizer with gun holder;
FIG. 11 is a front view of an alternative embodiment of desktop organizer with gun holder;
FIG. 12 is a rear view of an alternative embodiment of desktop organizer with gun holder;
FIG. 13 is a top view of an alternative embodiment of desktop organizer with gun holder;
FIG. 14 is a alternative perspective view of an alternative embodiment of desktop organizer with gun holder; and,
FIG. 15 is a perspective exploded view of an alternative embodiment of desktop organizer with gun holder.

1 Claim, 14 Drawing Sheets



(56)

References Cited

U.S. PATENT DOCUMENTS

D697,340 S * 1/2014 Vardaro D6/675.1
D709,716 S * 7/2014 Watson D6/675.3
D817,022 S * 5/2018 Sammut D6/522
D961,291 S * 8/2022 Yang D6/552
2007/0251901 A1* 11/2007 Werner F41A 23/18
211/64

OTHER PUBLICATIONS

Barva Adaptive Wood Gun Rack Phone Wallet Docking Station
Military Watch Night Stand Key Holder Side Table Charging
Station Self Defense Desk Organizer Tray Tactical Gear Men
Accessories Bedside Caddy <https://a.co/d/3FKYhMg>, Sep. 2, 2021
(Year: 2021).*

* cited by examiner

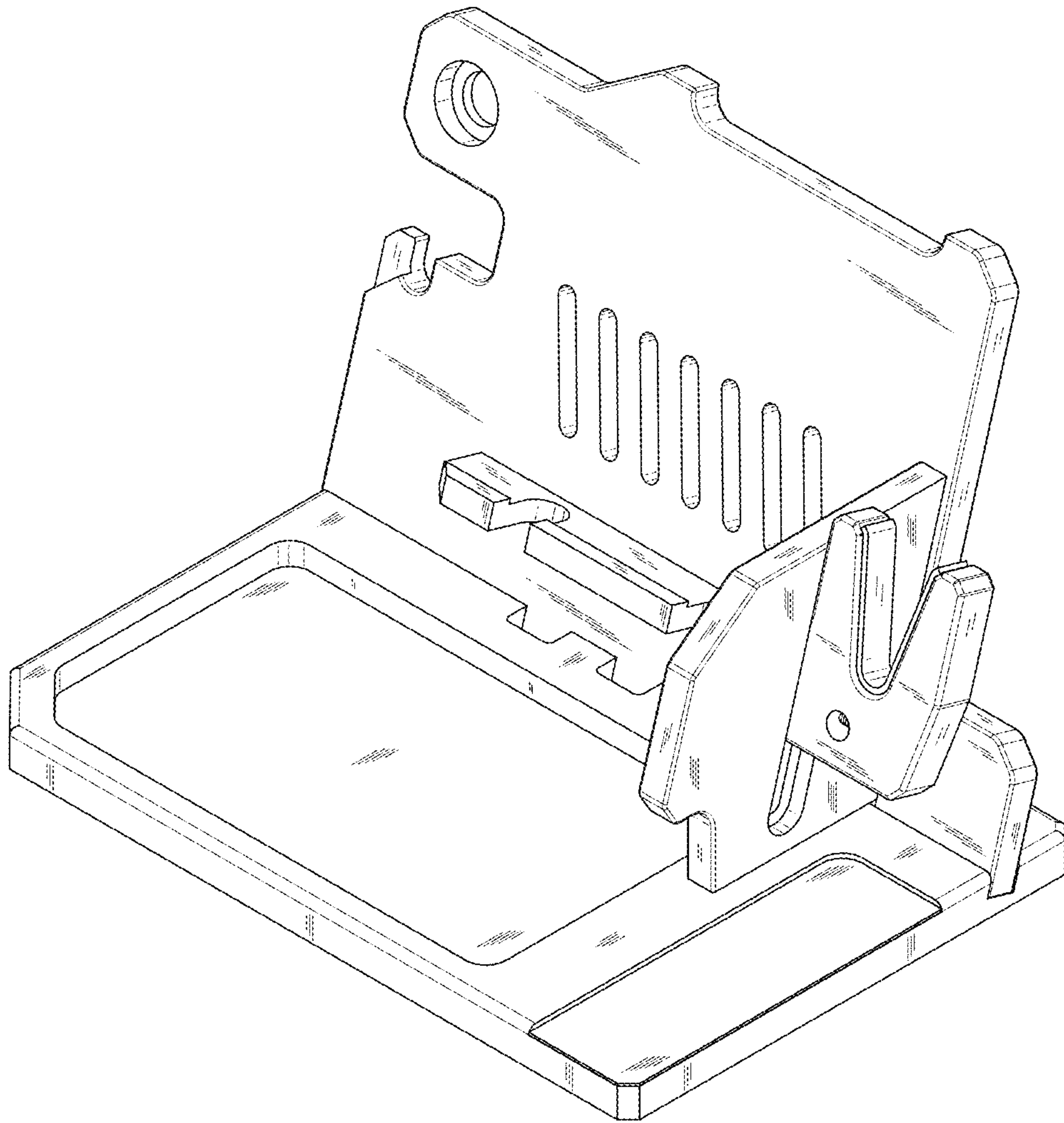


FIG.1

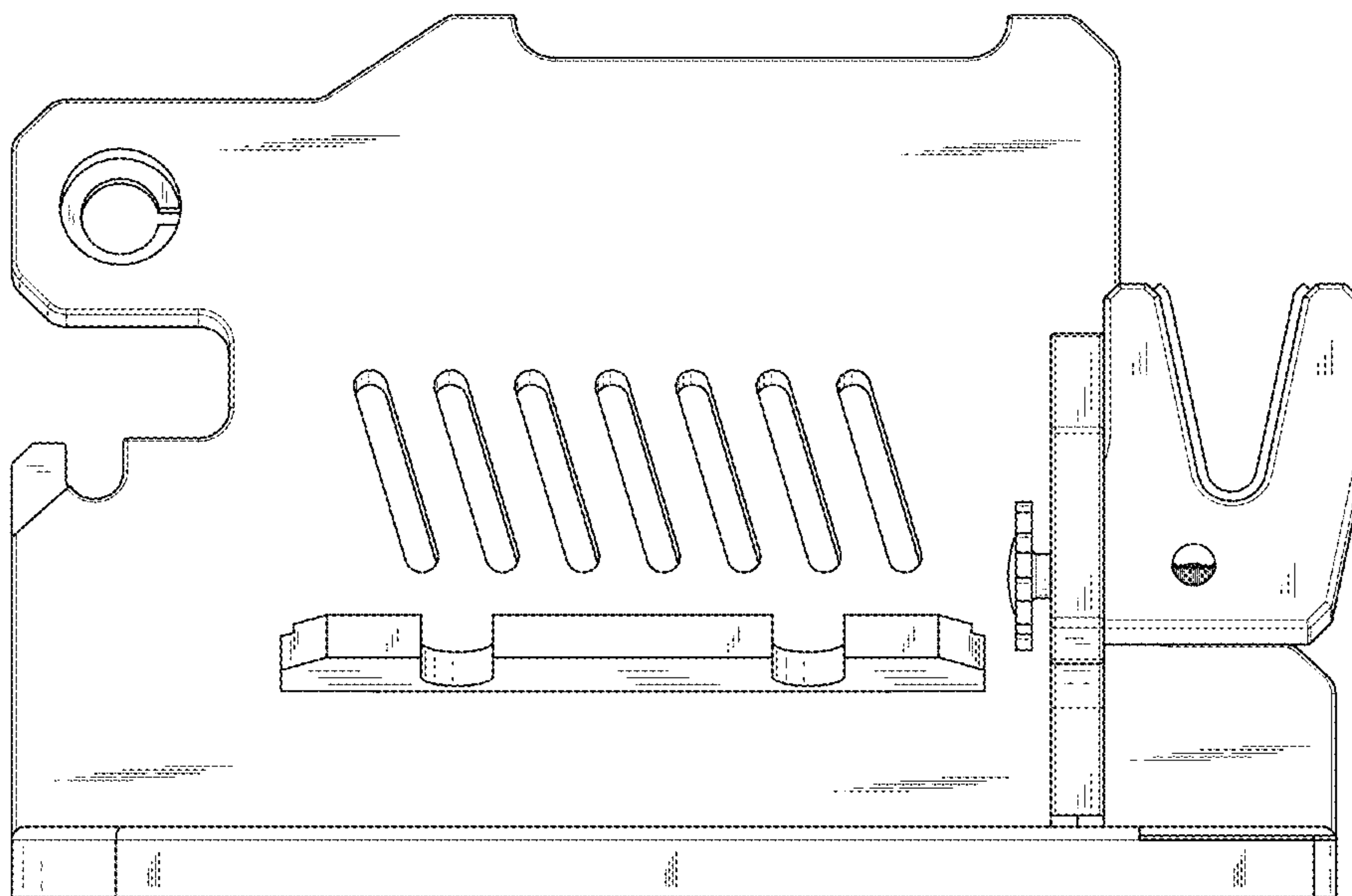


FIG.2

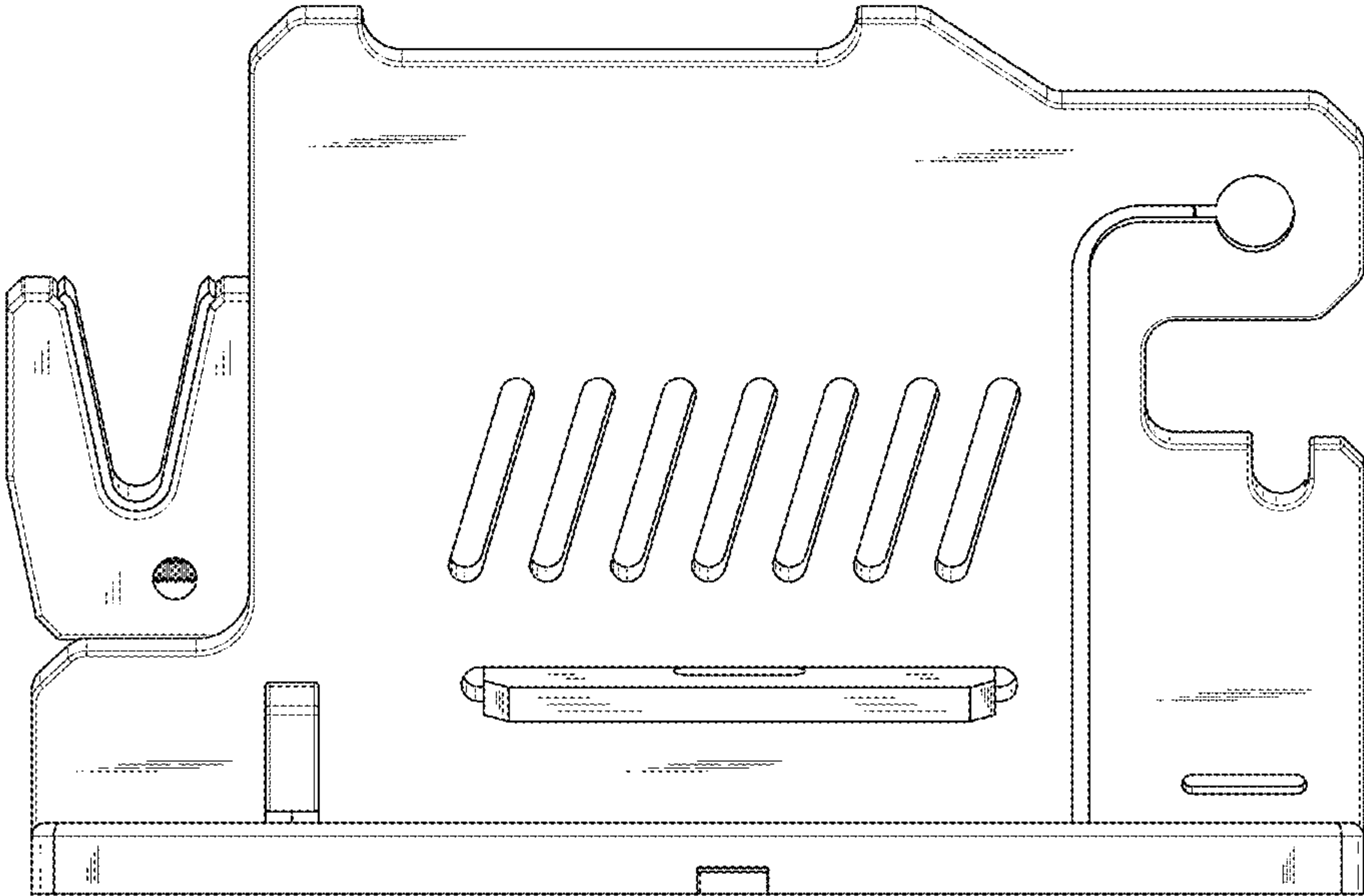


FIG.3

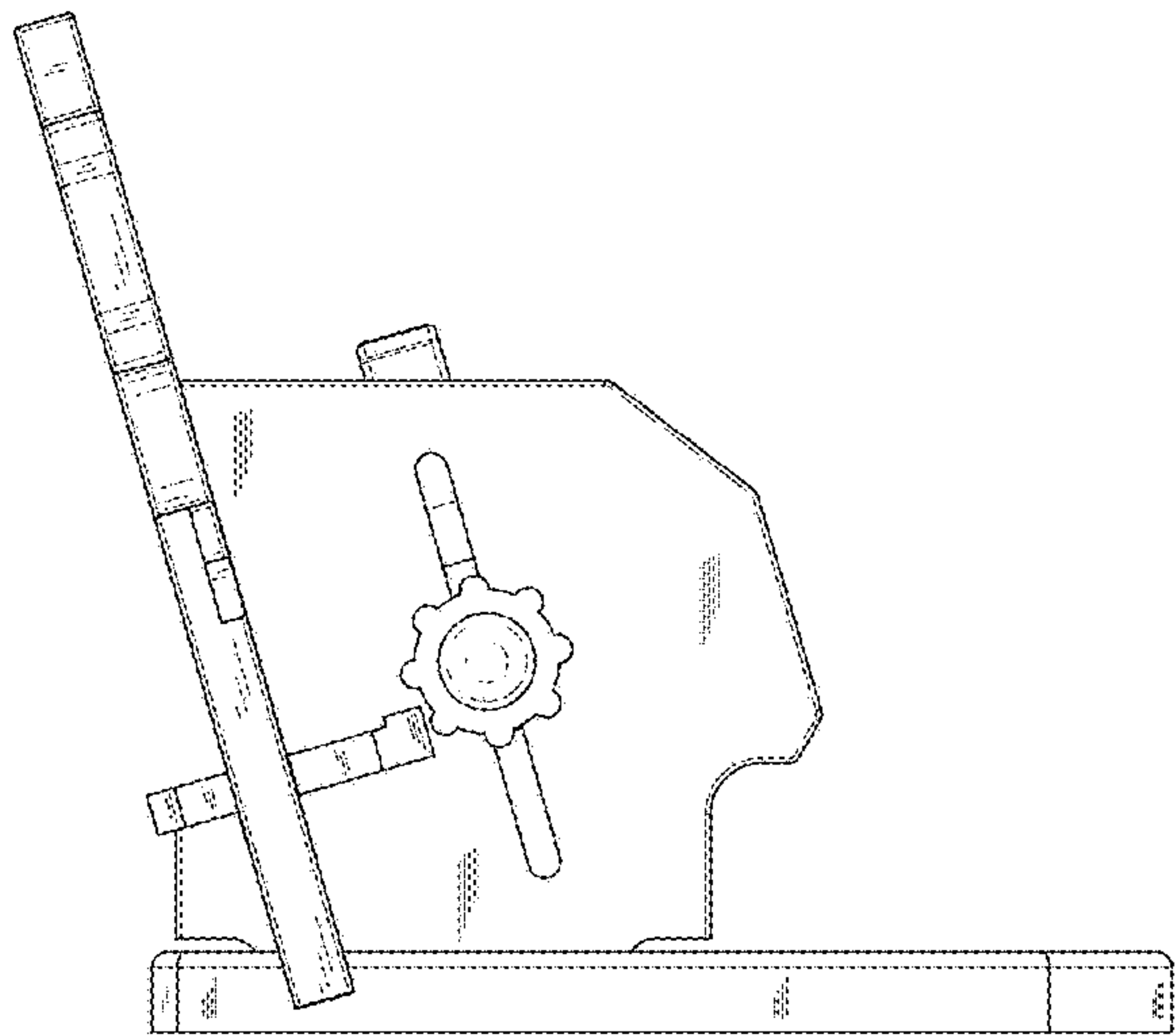


FIG. 4

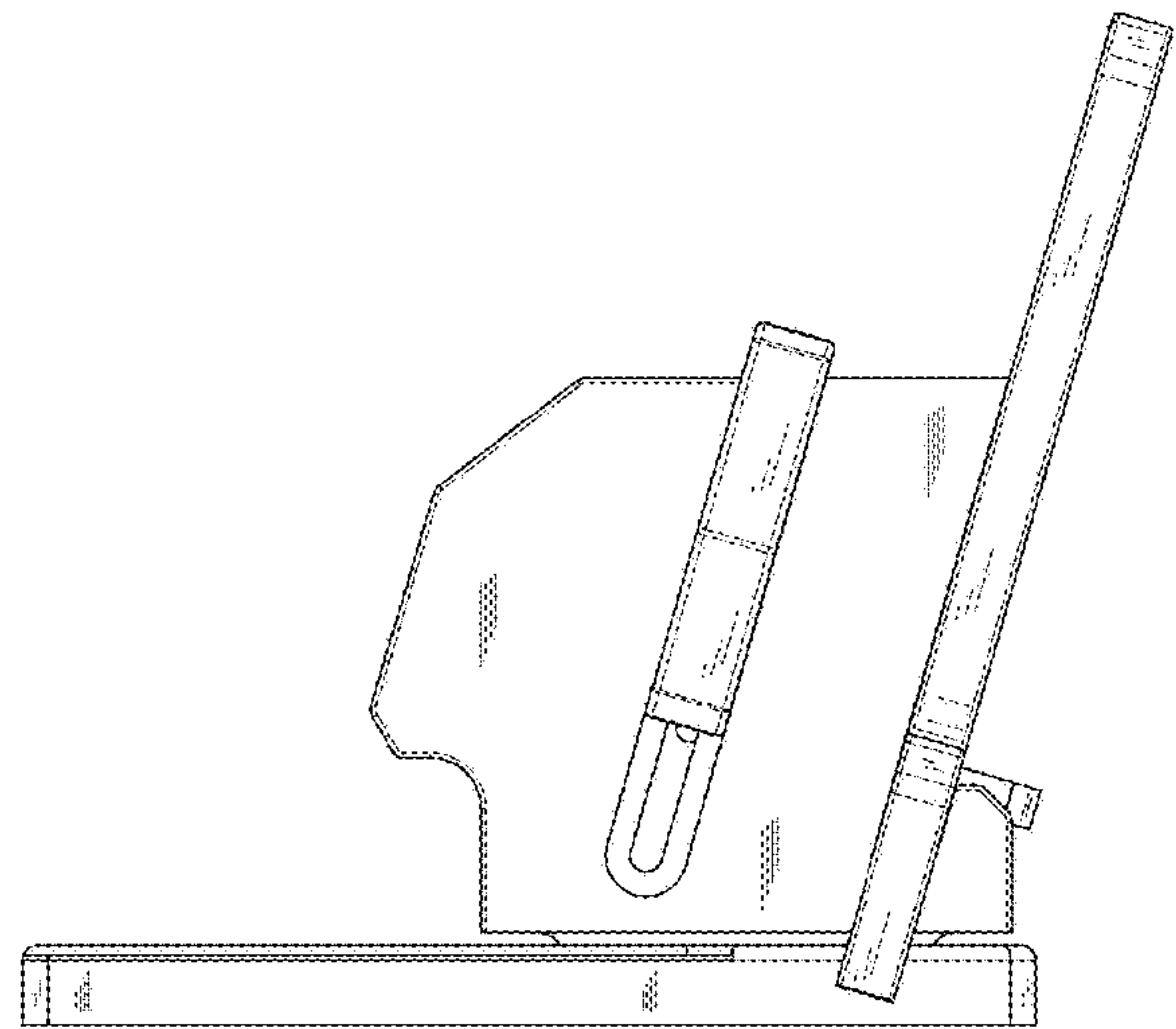


FIG. 5

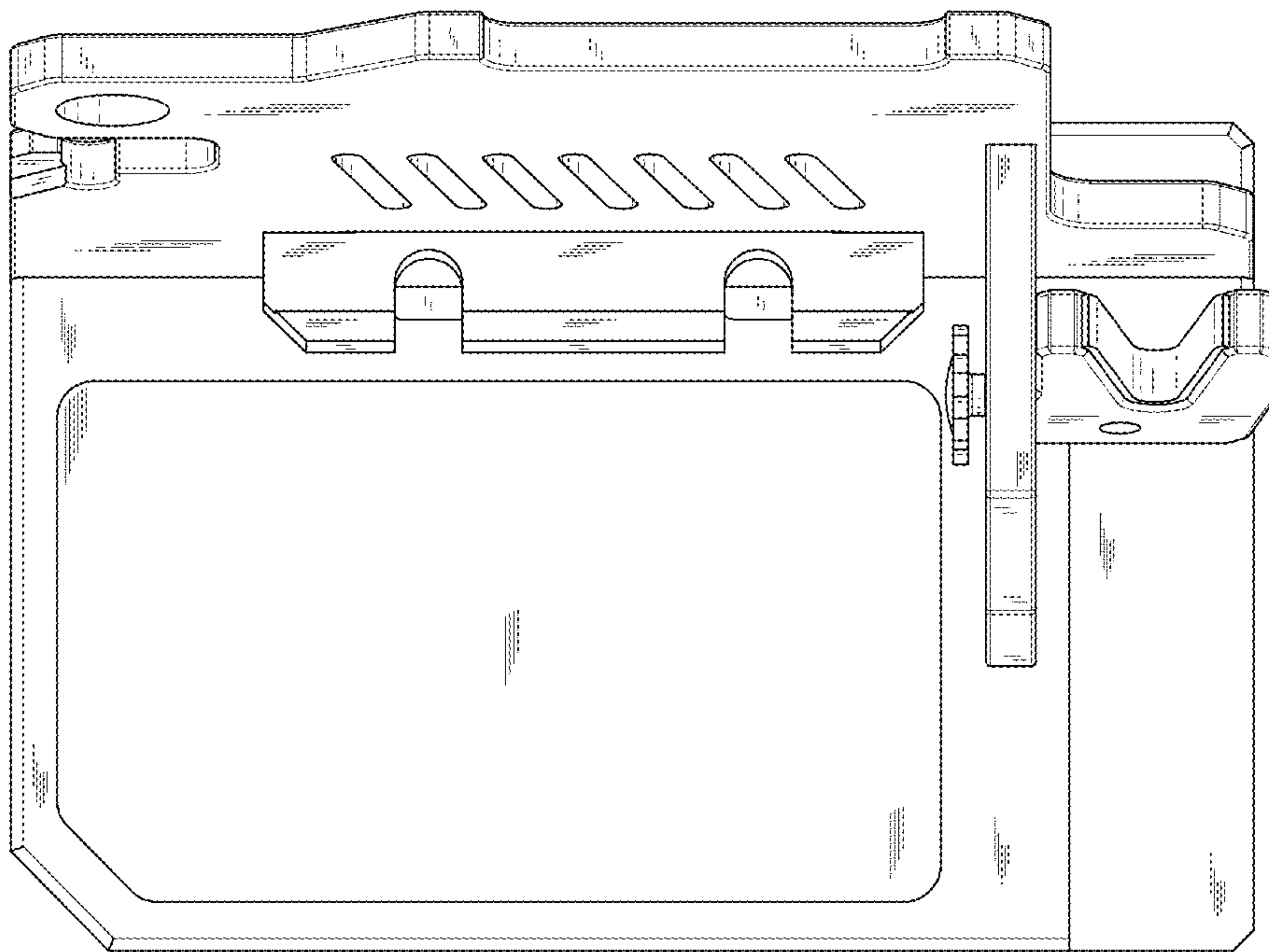


FIG.6

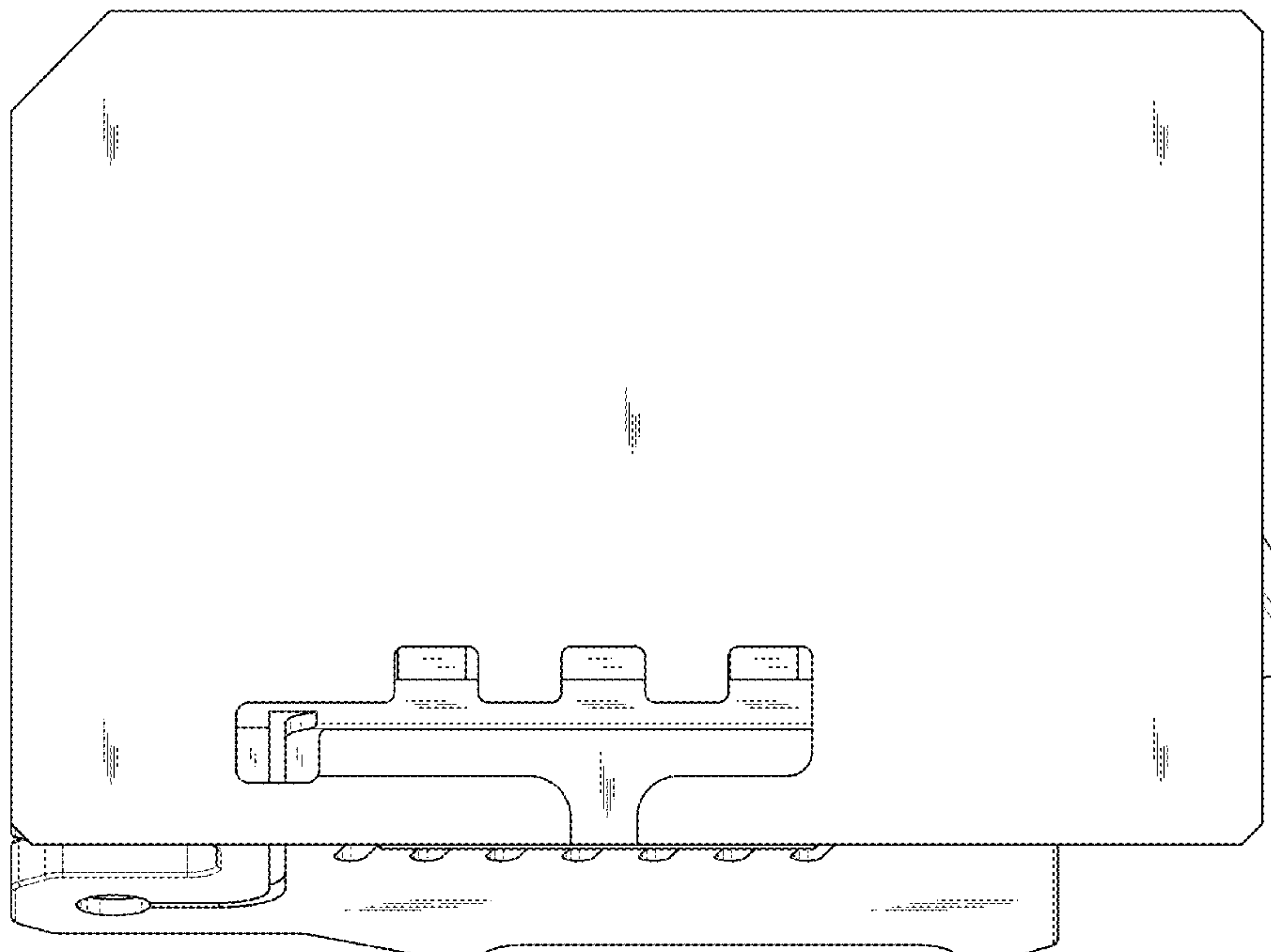


FIG.7

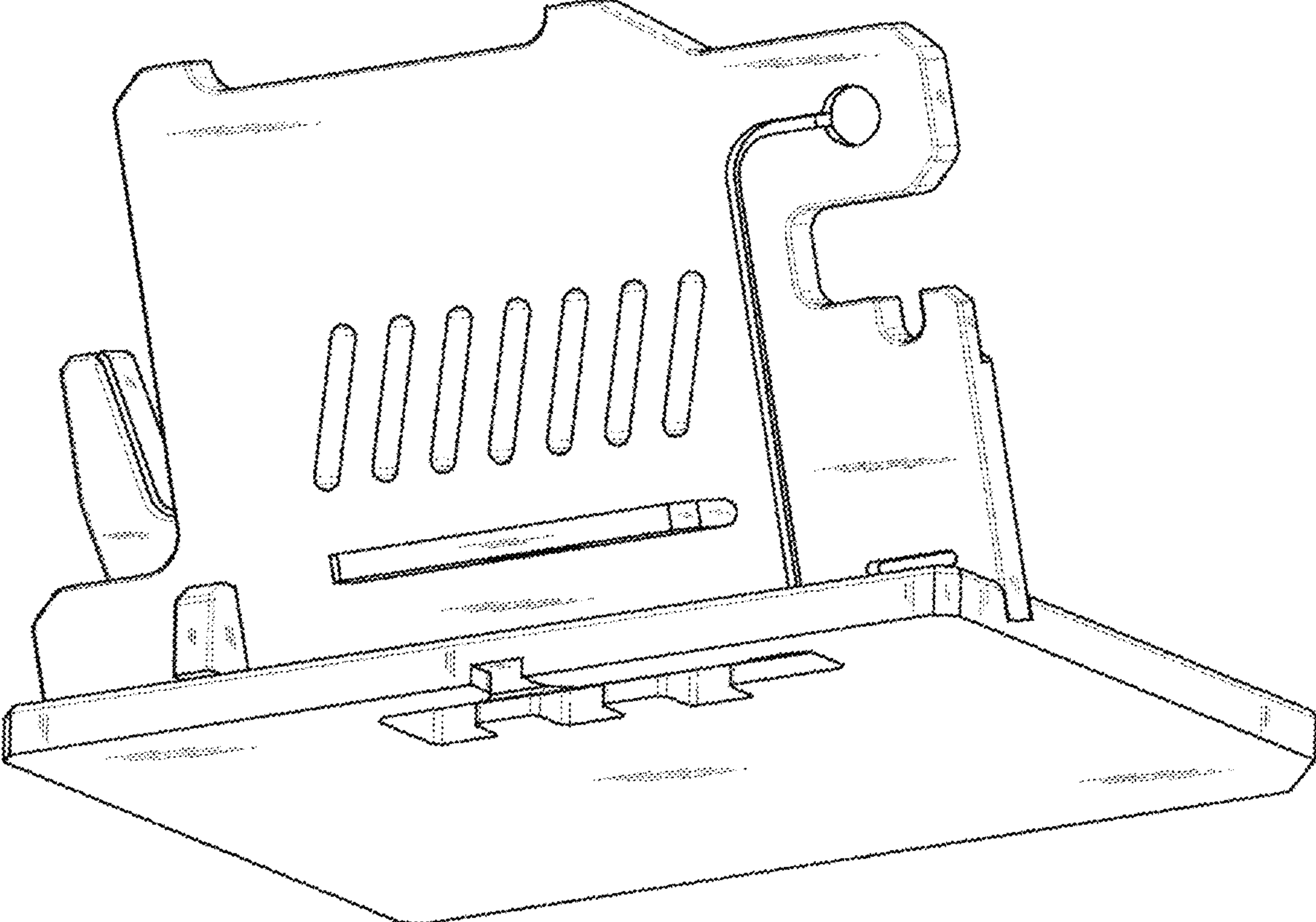


FIG.8

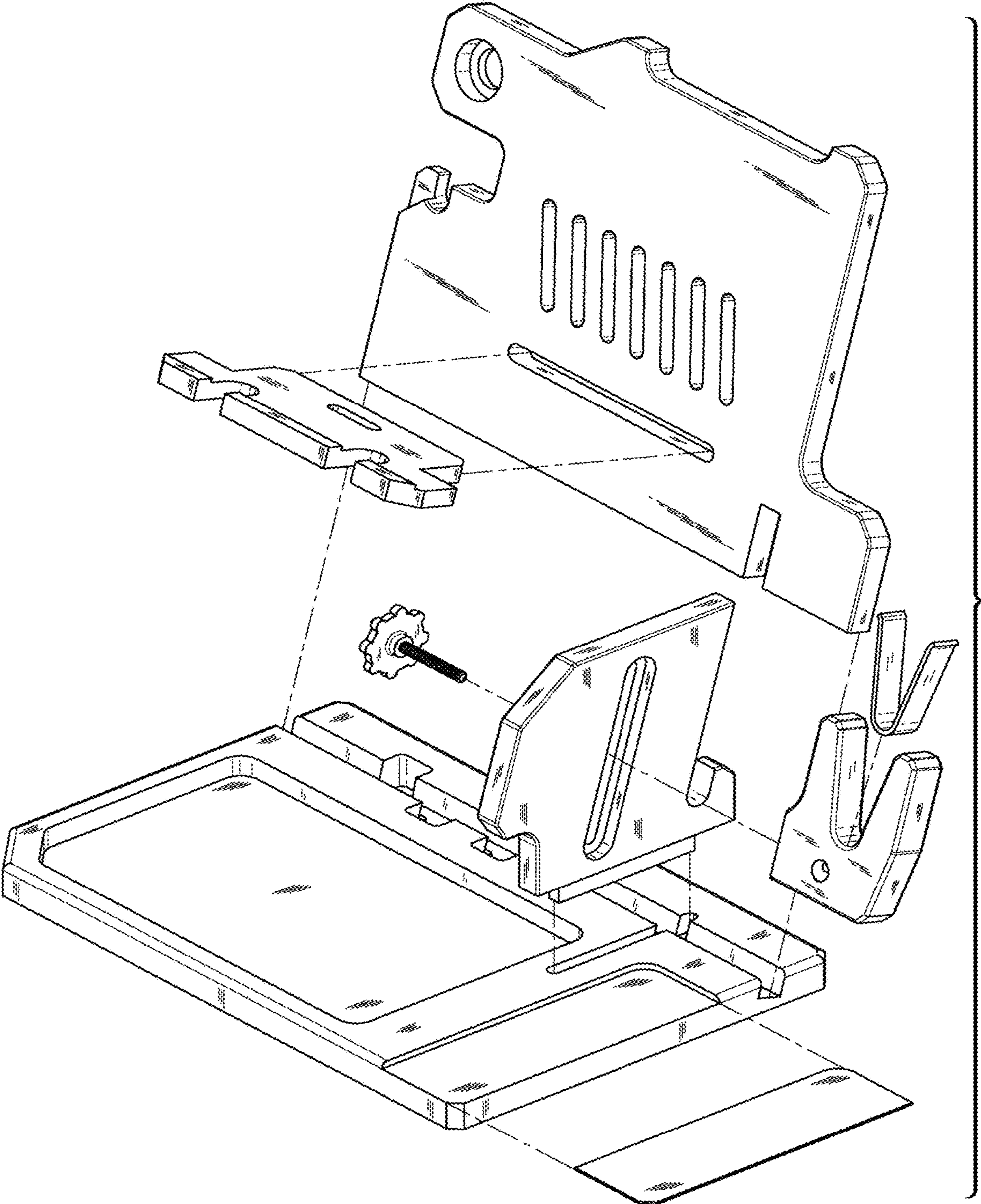


FIG. 9

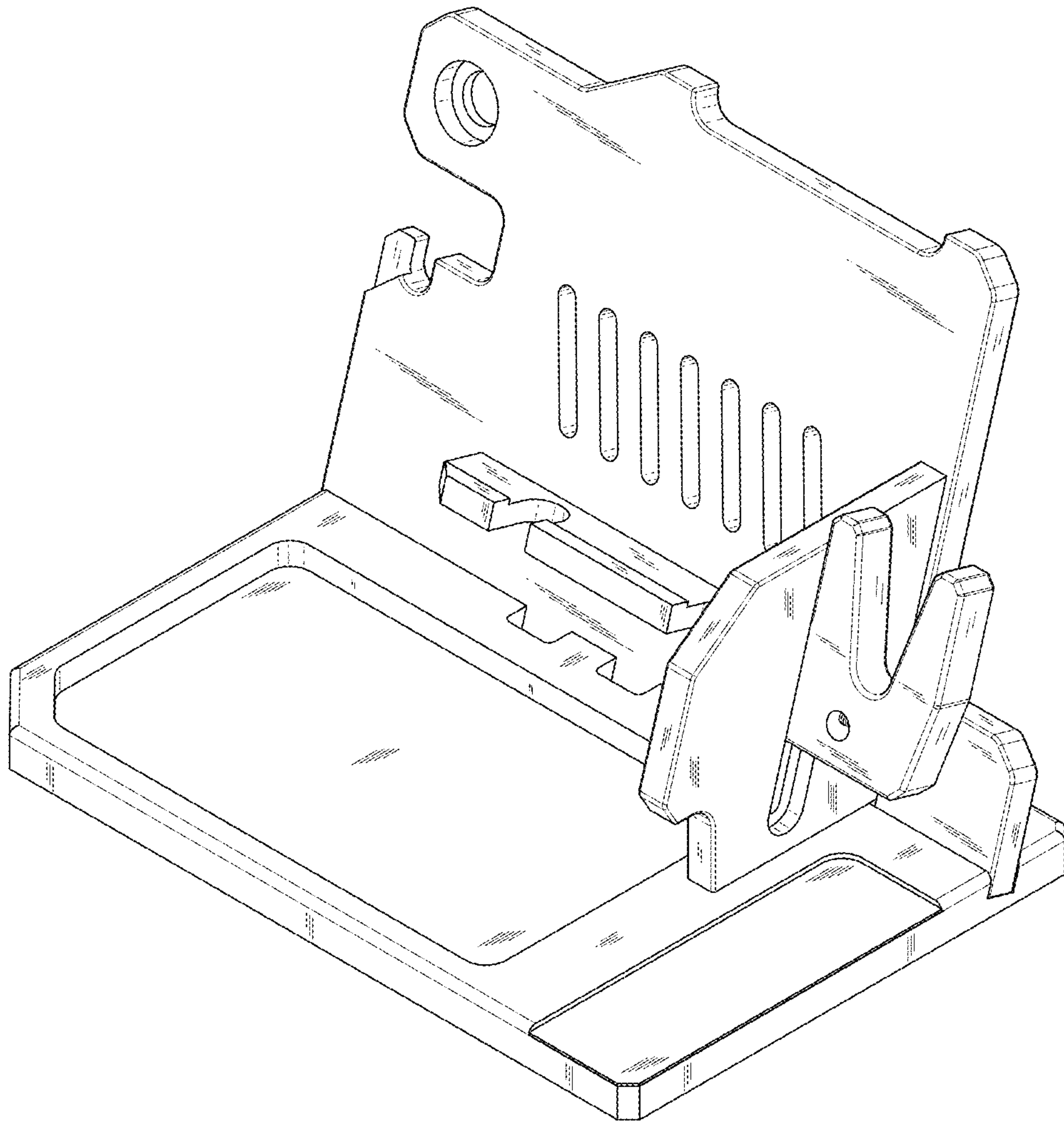


FIG.10

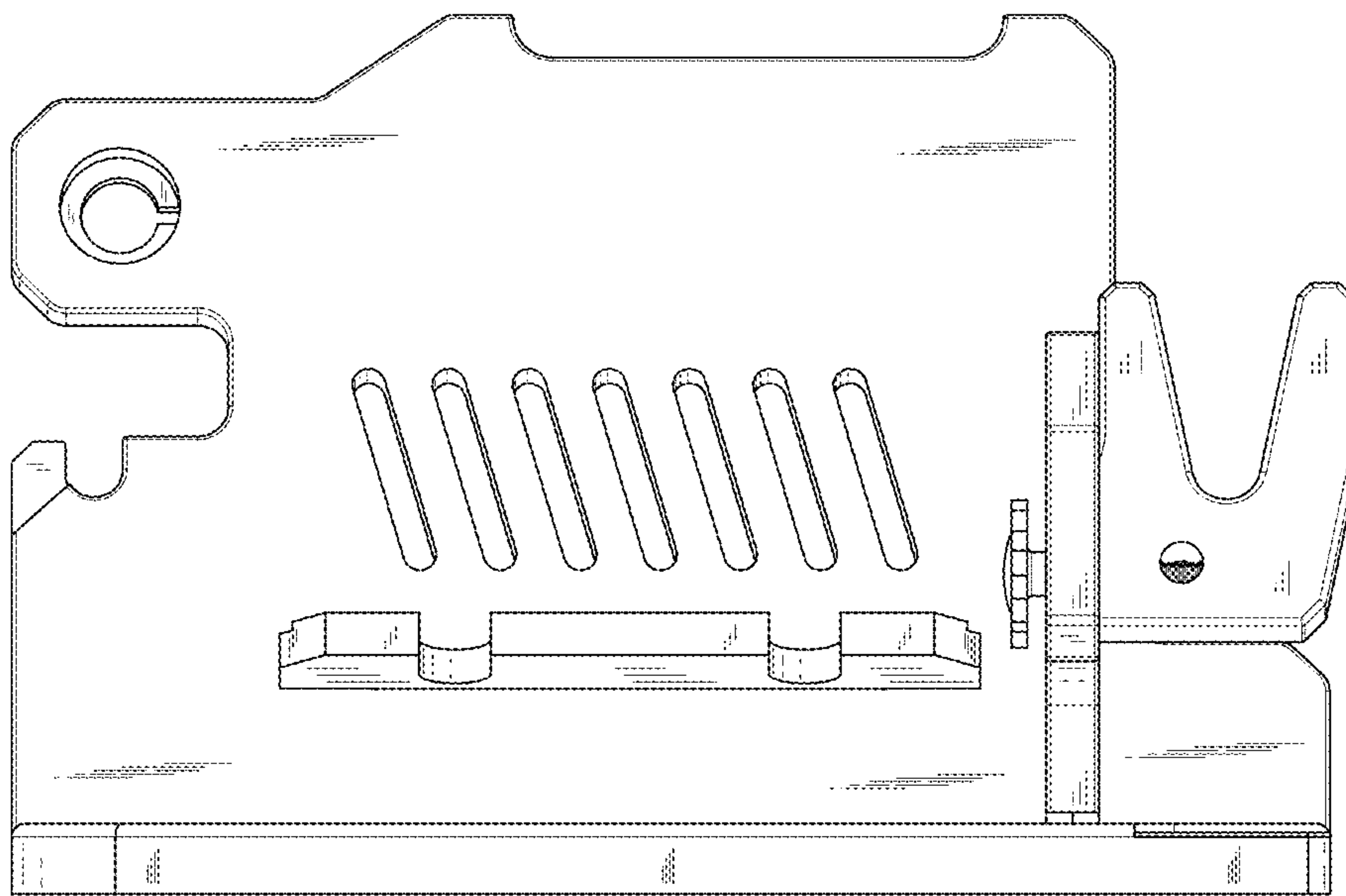


FIG.11

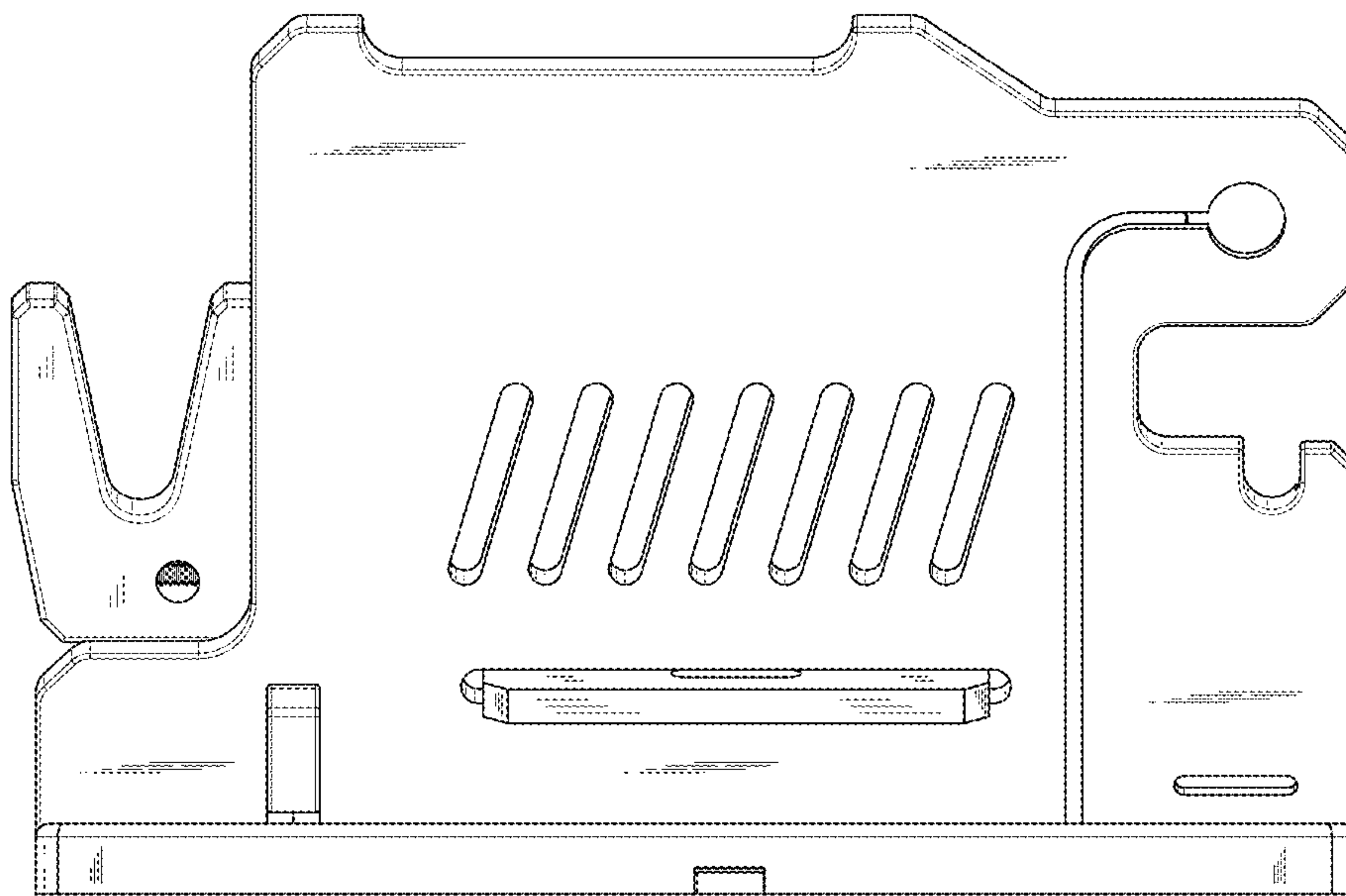


FIG.12

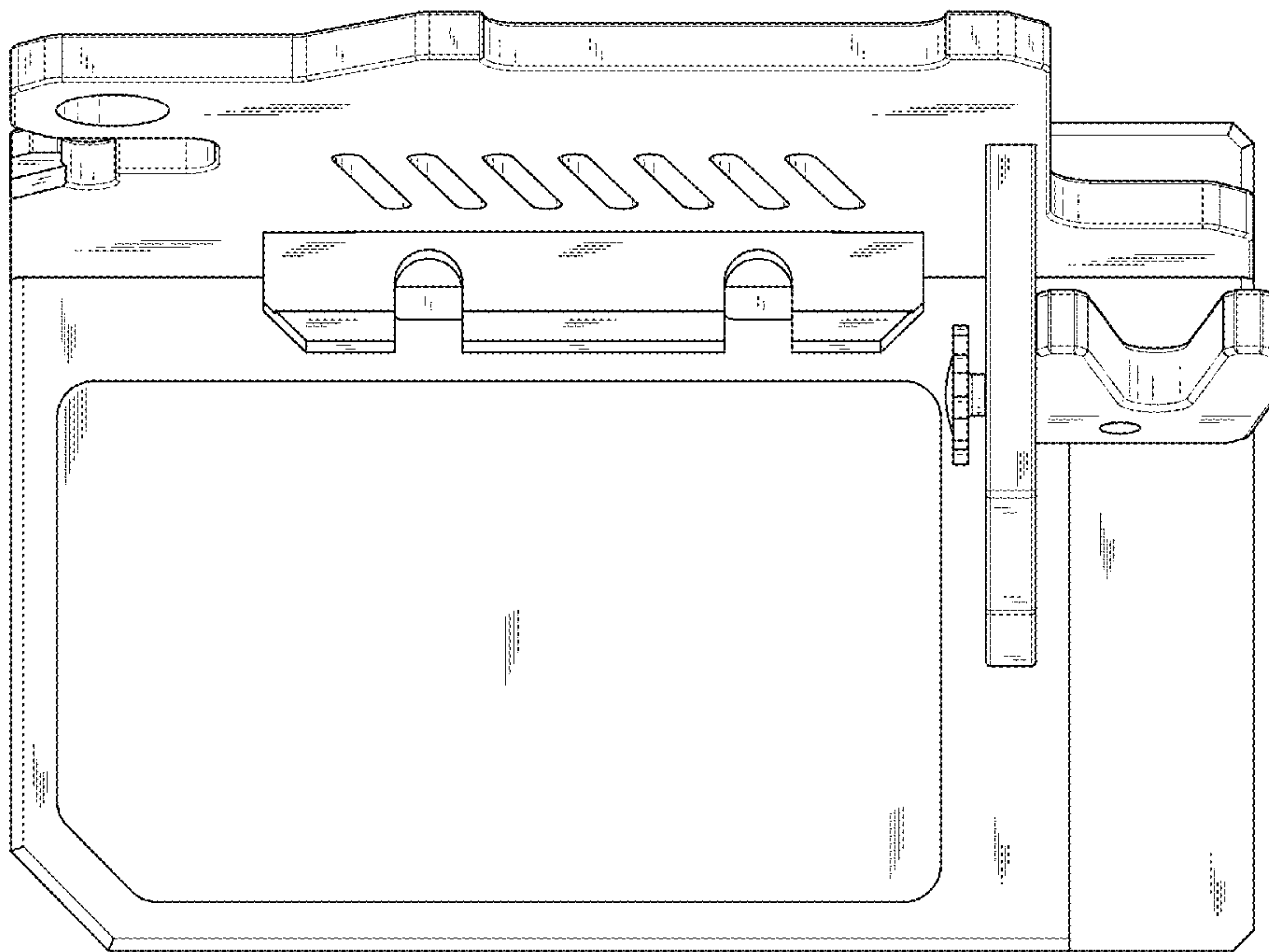


FIG.13

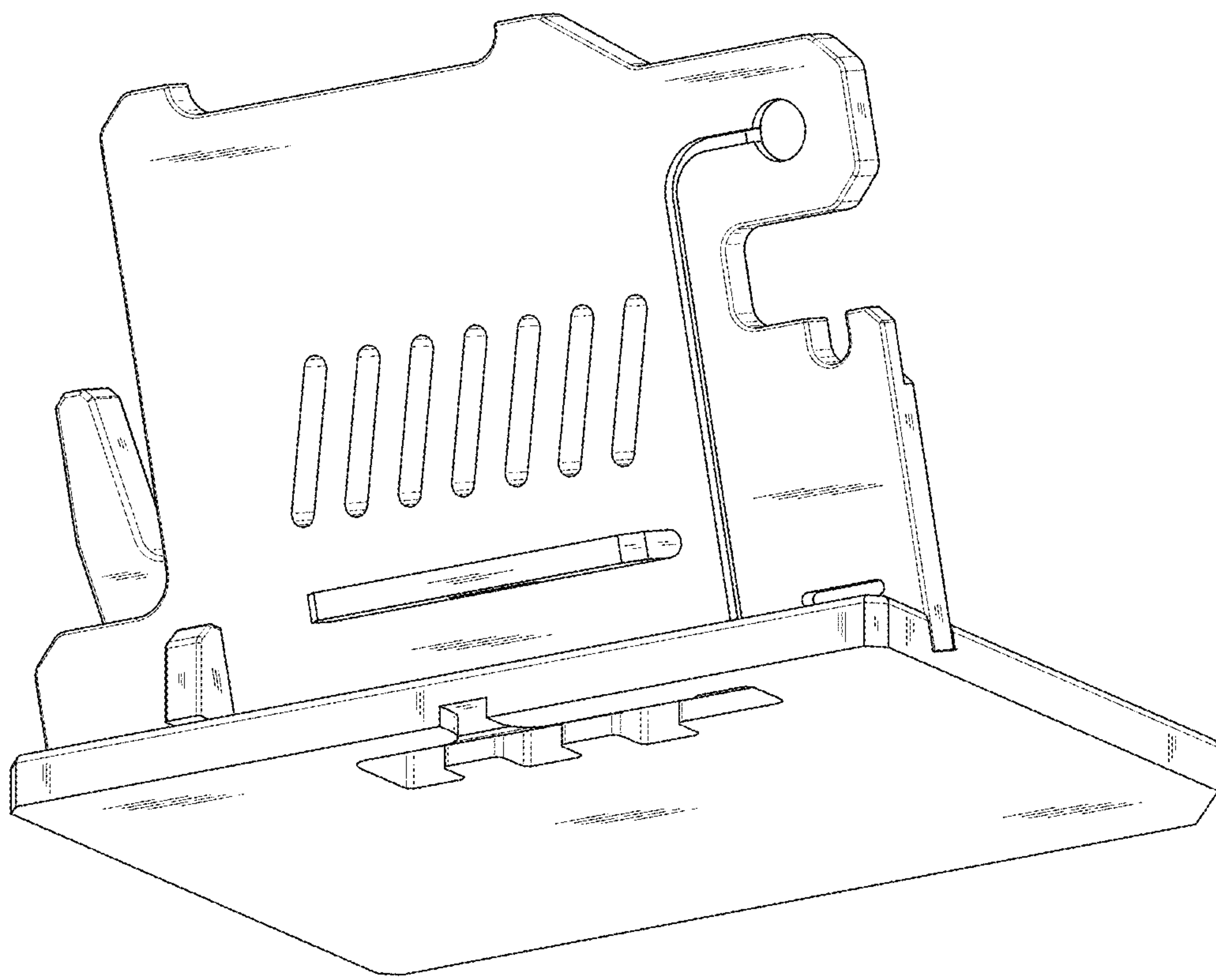


FIG.14

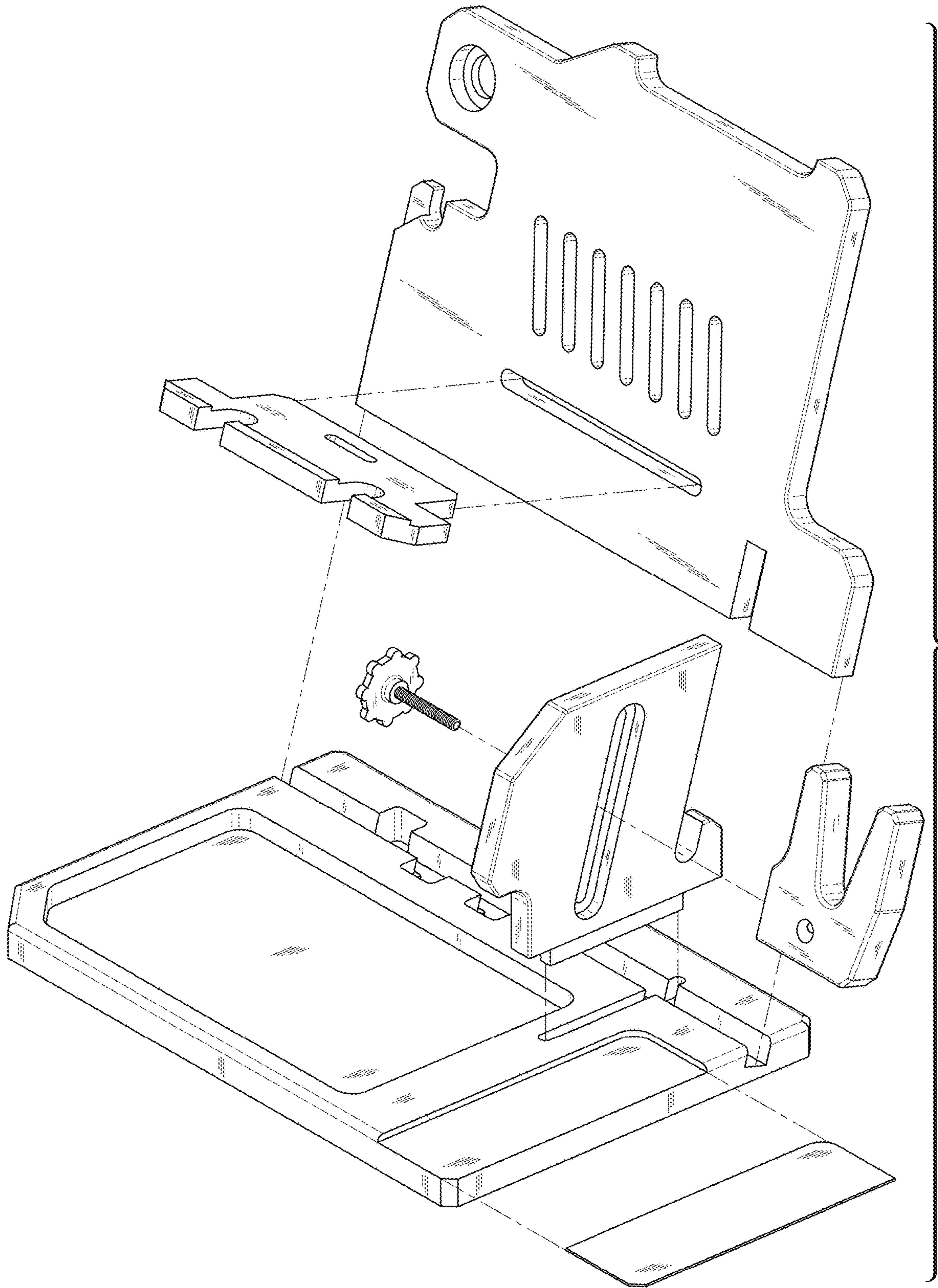


FIG.15