



US0D1012481S

(12) **United States Design Patent**
Ehlert et al.

(10) **Patent No.:** **US D1,012,481 S**
(45) **Date of Patent:** **** Jan. 30, 2024**

(54) **STORAGE CONTAINER ASSEMBLY**

(71) Applicant: **UnitedHealth Group Incorporated**,
Minnetonka, MN (US)

(72) Inventors: **Jennie Audrey Ehlert**, Wayzata, MN
(US); **Andrew Tsong-Bo Cheng**,
Golden Valley, MN (US); **Emre**
Charles Adabag, Minneapolis, MN
(US); **Samantha Roberta Detor**,
Wayzata, MN (US)

(73) Assignee: **UnitedHealth Group Incorporated**,
Minnetonka, MN (US)

(**) Term: **15 Years**

(21) Appl. No.: **29/756,565**

(22) Filed: **Oct. 29, 2020**

(51) **LOC (14) Cl.** **03-01**

(52) **U.S. Cl.**
USPC **D3/203.1**

(58) **Field of Classification Search**
USPC D3/203.1, 203.2, 203.3, 203.4, 203.5,
D3/203.6, 203.7, 203.8, 200, 201, 205,
(Continued)

(56) **References Cited**

U.S. PATENT DOCUMENTS

5,582,323 A 12/1996 Kurtenbach
5,710,551 A 1/1998 Ridgeway
(Continued)

FOREIGN PATENT DOCUMENTS

CN 303472477 * 12/2015
WO 2013/025520 A2 2/2013
(Continued)

OTHER PUBLICATIONS

Amazon.com, Site visited Jul. 12, 2023, Medicine RX Safe, MDS
Medication Drawer Safe, Date first available, Mar. 26, 2019,

<https://www.amazon.com/MEDICINE-RX-SAFE-MDS-2C-Medication/dp/B07Q2WYPTP> (Year: 2019).*

(Continued)

Primary Examiner — Brett Miller

Assistant Examiner — Jessica M Gebhart

(74) *Attorney, Agent, or Firm* — Alston & Bird LLP

(57) **CLAIM**

The ornamental design for a storage container assembly, as shown and described.

DESCRIPTION

FIG. 1 is a top front perspective view of a storage container base of a storage container assembly according to the present design.

FIG. 2 is a bottom rear perspective view of the storage container base of FIG. 1.

FIG. 3 is a front view of the storage container base of FIG. 1.

FIG. 4 is a rear view of the storage container base of FIG. 1.

FIG. 5 is a left side view of the storage container base of FIG. 1.

FIG. 6 is a right side view of the storage container base of FIG. 1.

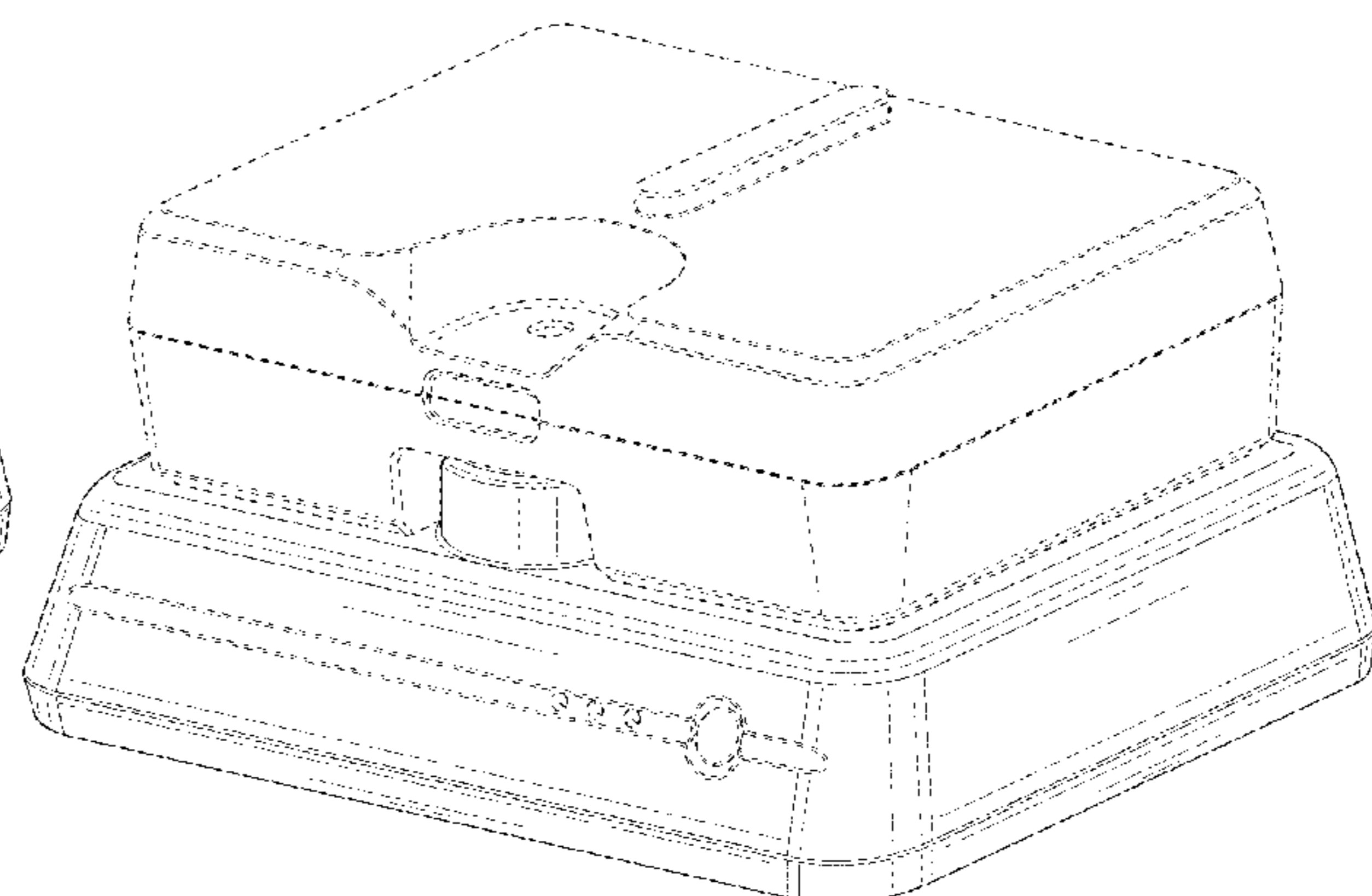
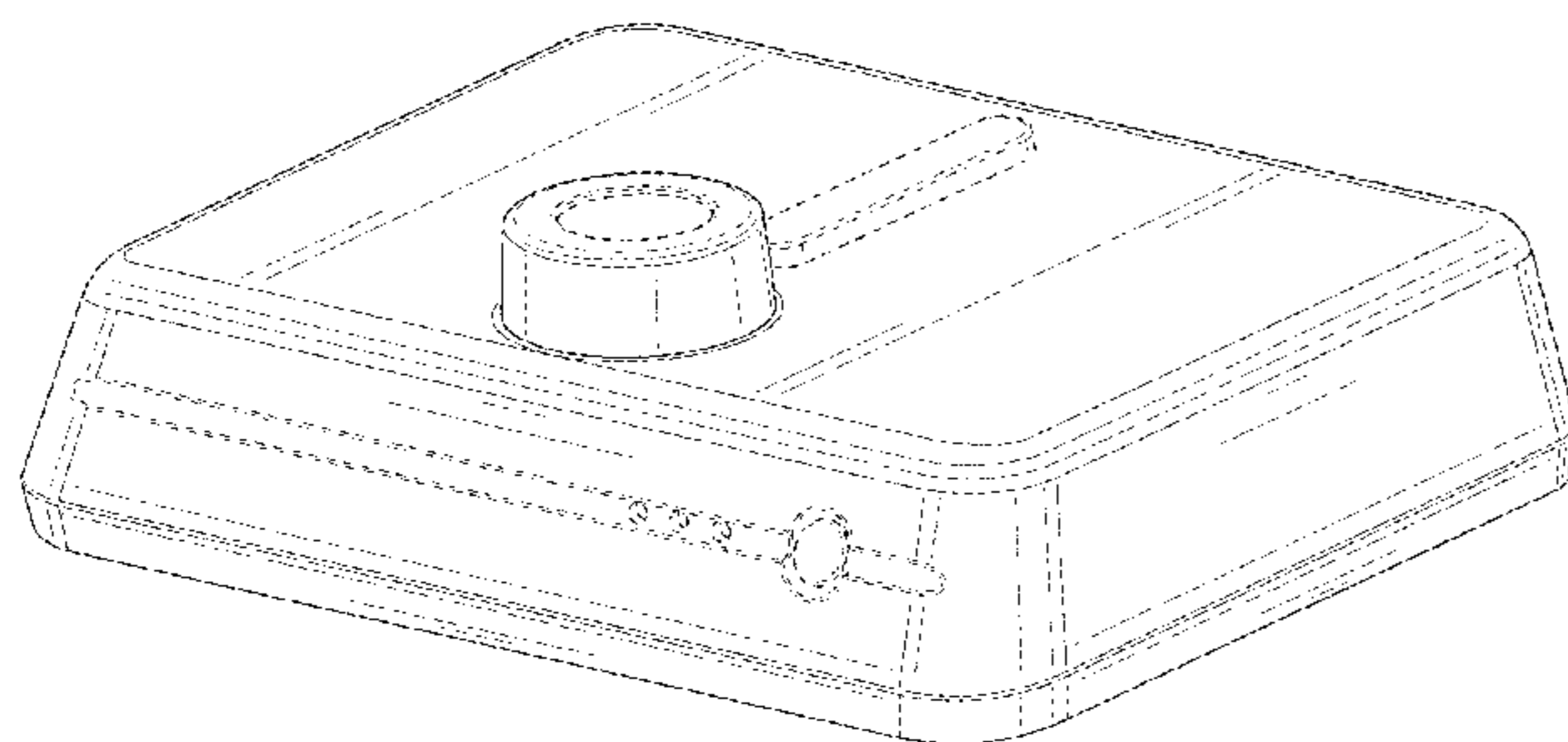
FIG. 7 is a top view of the storage container base of FIG. 1.

FIG. 8 is a bottom view of the storage container base of FIG. 1; and,

FIG. 9 is a top front perspective view of the storage container base of FIG. 1 as a part of a storage container assembly.

The broken lines immediately adjacent to shaded areas represent bounds of the claimed design, while all other broken lines are directed to environment or unclaimed features of the storage container assembly and form no part of the claimed design.

1 Claim, 9 Drawing Sheets



(58) **Field of Classification Search**
 USPC D3/215, 218, 226, 229, 232, 233, 234,
 D3/271.1, 271.9, 289, 301, 303, 901, 219,
 D3/228, 245, 267, 268, 276, 295;
 D7/630, 702; D19/113
 CPC A45F 5/02; A45F 3/00; A45F 3/02; A45F
 3/14; D06F 95/006; D06F 95/008; G06F
 3/0395; B65D 25/14; E05B 65/52
 See application file for complete search history.

(56) **References Cited**

U.S. PATENT DOCUMENTS

D426,265	S *	6/2000	Black	D19/113
D448,154	S *	9/2001	Mann	D3/203.1
7,885,725	B2	2/2011	Dunn		
D633,712	S *	3/2011	Everette	D3/203.1
8,108,068	B1	1/2012	Boucher et al.		
8,193,918	B1	6/2012	Shavelsky et al.		
8,397,310	B2	3/2013	Parris et al.		
8,506,023	B2	8/2013	Goldie		
8,626,531	B2	1/2014	Williams et al.		
8,636,172	B2	1/2014	Dunn		
8,744,620	B2	6/2014	Shavelsky et al.		
D709,333	S *	7/2014	Stamatopoulos	D7/630
8,797,138	B2	8/2014	Myers et al.		
8,950,224	B2	2/2015	Spencer		
9,211,233	B2	12/2015	Shavelsky et al.		
9,400,873	B2	7/2016	Kamen et al.		
D779,295	S *	2/2017	Weernink	D7/703
9,593,523	B1	3/2017	Trimble et al.		
9,600,634	B2	3/2017	Bell et al.		
D787,812	S *	5/2017	Ganesan	D3/203.3
9,659,424	B2	5/2017	Huber et al.		
9,836,897	B2	12/2017	Briskey		
9,984,213	B2	5/2018	Howieson et al.		
D841,983	S *	3/2019	Wang	D3/295
10,354,464	B2	7/2019	Feltham et al.		
10,510,442	B2	12/2019	Adams et al.		
D889,590	S *	7/2020	Fan	D3/215
2003/0174554	A1	9/2003	Dunstone et al.		
2005/0168320	A1	8/2005	Henderson et al.		
2008/0179387	A1	7/2008	Cantlay et al.		
2009/0125324	A1	5/2009	Keravich et al.		
2010/0100237	A1	4/2010	Ratnakar		
2010/0176146	A1	7/2010	Ben-Dor		
2013/0151267	A1	6/2013	Mehdizadeh		
2015/0005934	A1	1/2015	Bell et al.		

2015/0259110	A1	9/2015	Blackburn		
2015/0272825	A1	10/2015	Lim et al.		
2015/0278479	A1	10/2015	Ervin		
2015/0327691	A1	11/2015	Alshammari		
2017/0010665	A1	1/2017	Tanaka et al.		
2017/0061095	A1	3/2017	Waskin et al.		
2017/0156985	A1	6/2017	Guldan		
2018/0185245	A1	7/2018	Poddar		
2019/0080792	A1	3/2019	Chack et al.		
2019/0228669	A1	7/2019	Baym et al.		
2019/0266824	A1*	8/2019	Jeruchim	E05B 65/52
2019/0378602	A1	12/2019	LaTorraca et al.		
2020/0038600	A1	2/2020	Bitton et al.		
2020/0039707	A1*	2/2020	Kachian	B65D 25/14

FOREIGN PATENT DOCUMENTS

WO	2016/196145	A1	12/2016
WO	2019/074469	A1	4/2019

OTHER PUBLICATIONS

Jain, Anmol et al. "Alerting System For Medicine Dispensing," International Journal of Advanced Research In Engineering and Technology (IJARET), vol. 10, Issue 2, Mar.-Apr. 2019, pp. 457-462.

Shukur Mohammad Hussein. "Design A Mobile Medication Dispenser Based On IoT Technology," International Journal Of Innovation Creativity and Change, vol. 6, Issue 2, (2019), pp. 242-250.

Yang, Geng et al. "A Health-IoT Platform Based On The Integration of Intelligent Packaging, Unobtrusive Bio-Sensor, and Intelligent Medicine Box," IEEE Transactions On Industrial Informatics, vol. 10, No. 4, Nov. 2014, pp. 2180-2191.

Notice of Allowance and Fee(s) Due for U.S. Appl. No. 17/083,760, dated Nov. 3, 2022, (5 pages), United States Patent and Trademark Office, US.

Final Office Action for U.S. Appl. No. 17/083,760, dated Jul. 11, 2022, (5 pages), United States Patent and Trademark Office, Alexandria, Virginia, US.

NonFinal Office Action for U.S. Appl. No. 17/083,760, dated Feb. 1, 2022, (21 pages), United States Patent and Trademark Office, USA.

Advisory Action Before The Filing Of An Appeal Brief for U.S. Appl. No. 17/083,760, dated Sep. 14, 2022, (3 pages), United States Patent and Trademark Office, US.

* cited by examiner

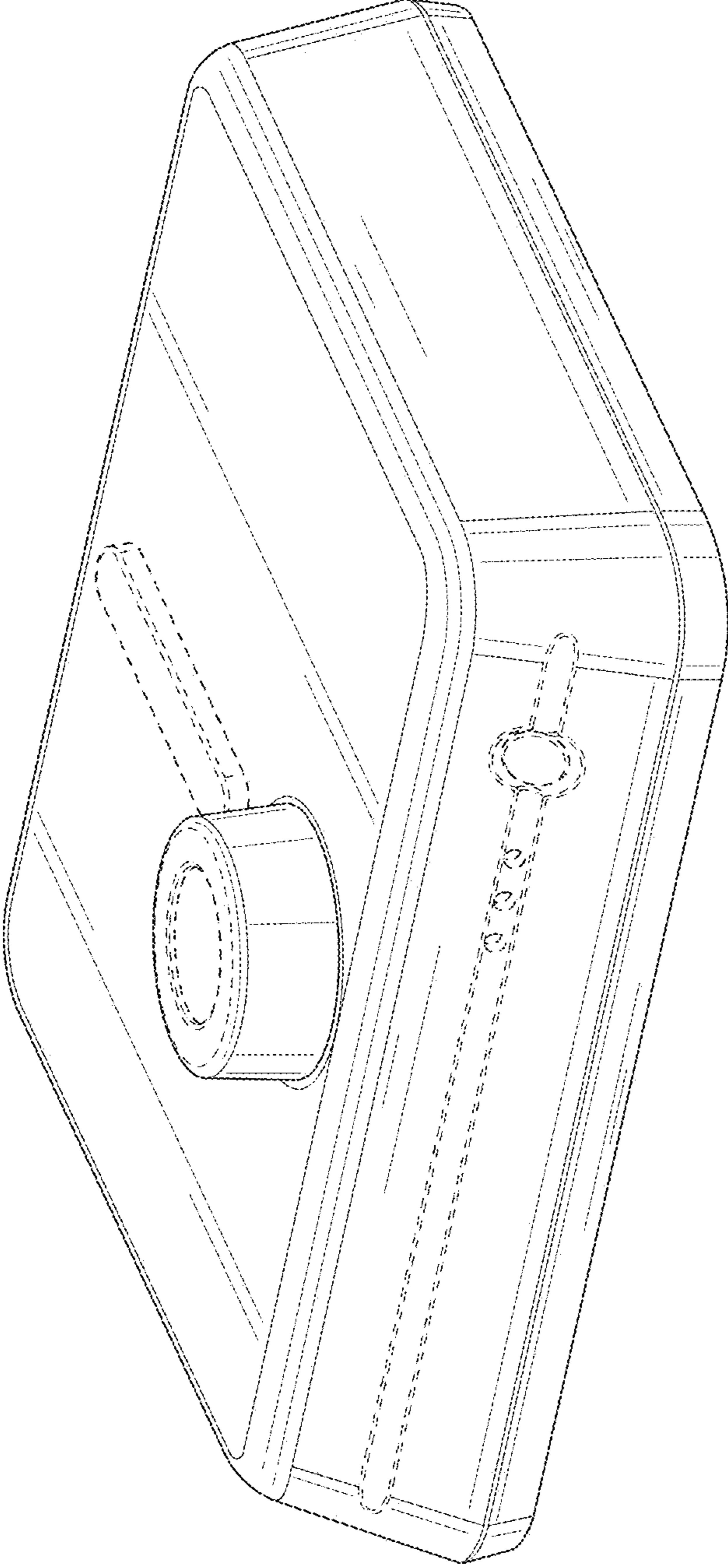


FIG. 1

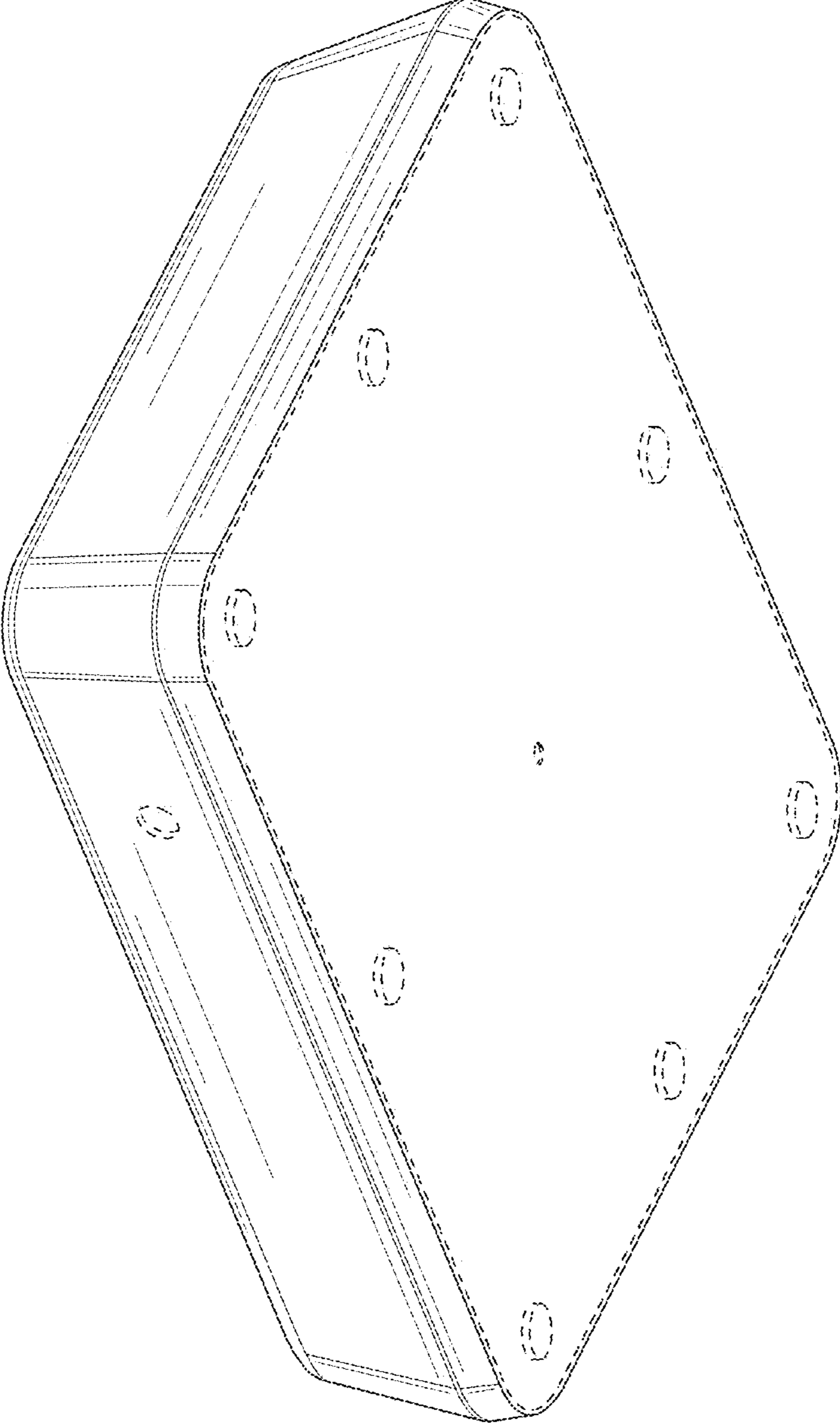


FIG. 2

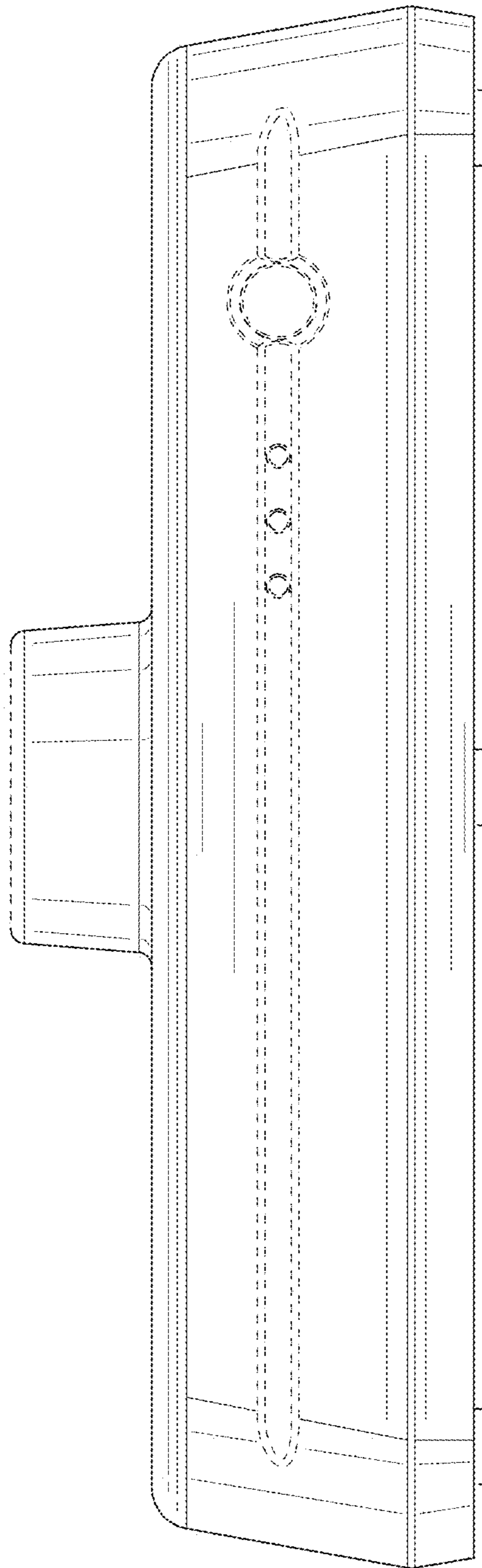


FIG. 3

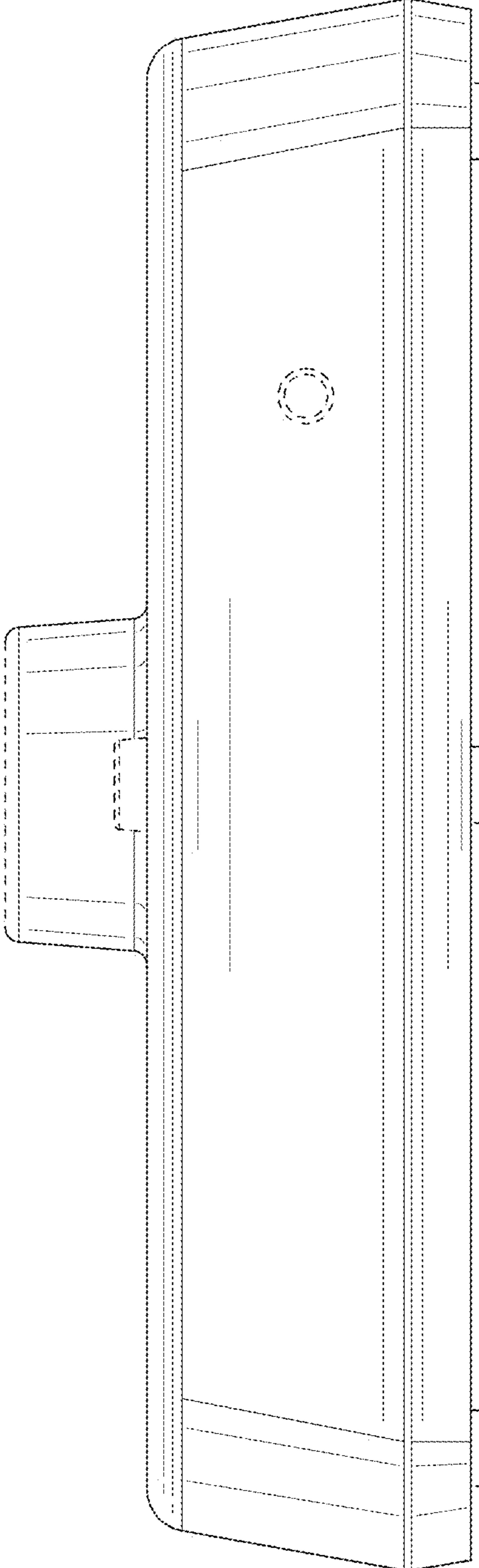


FIG. 4

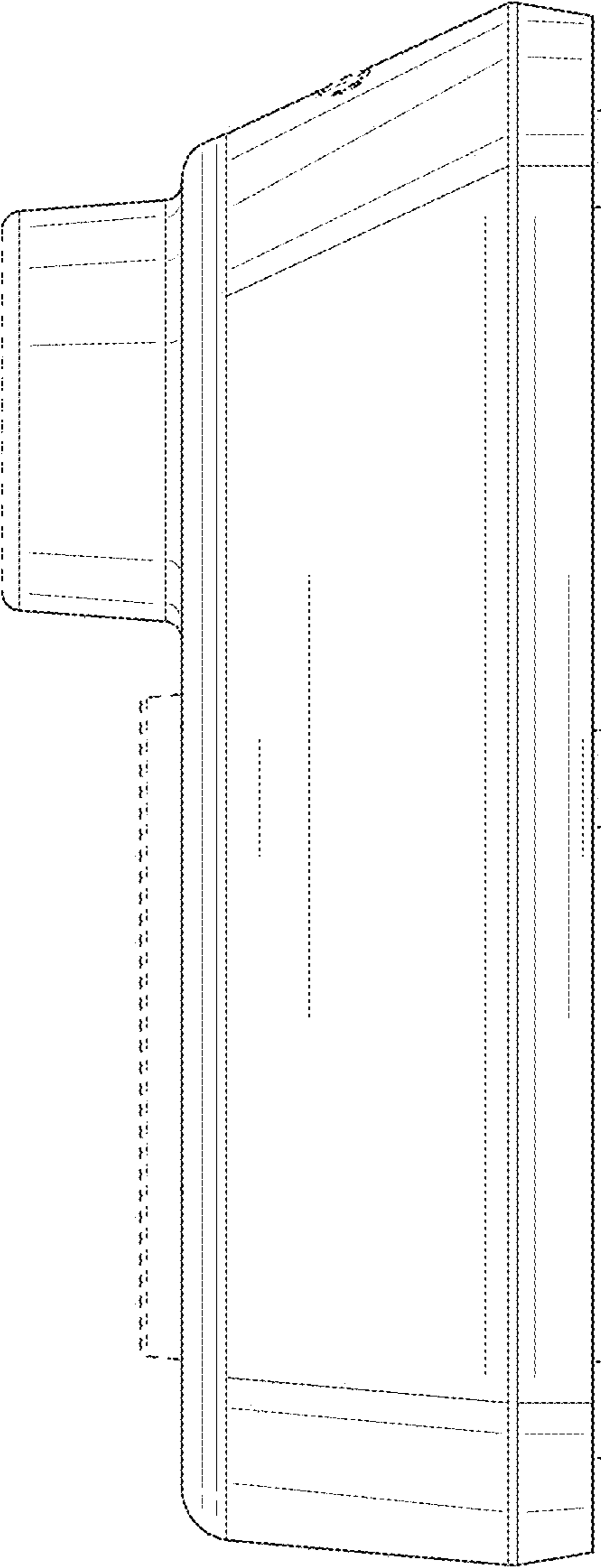


FIG. 5

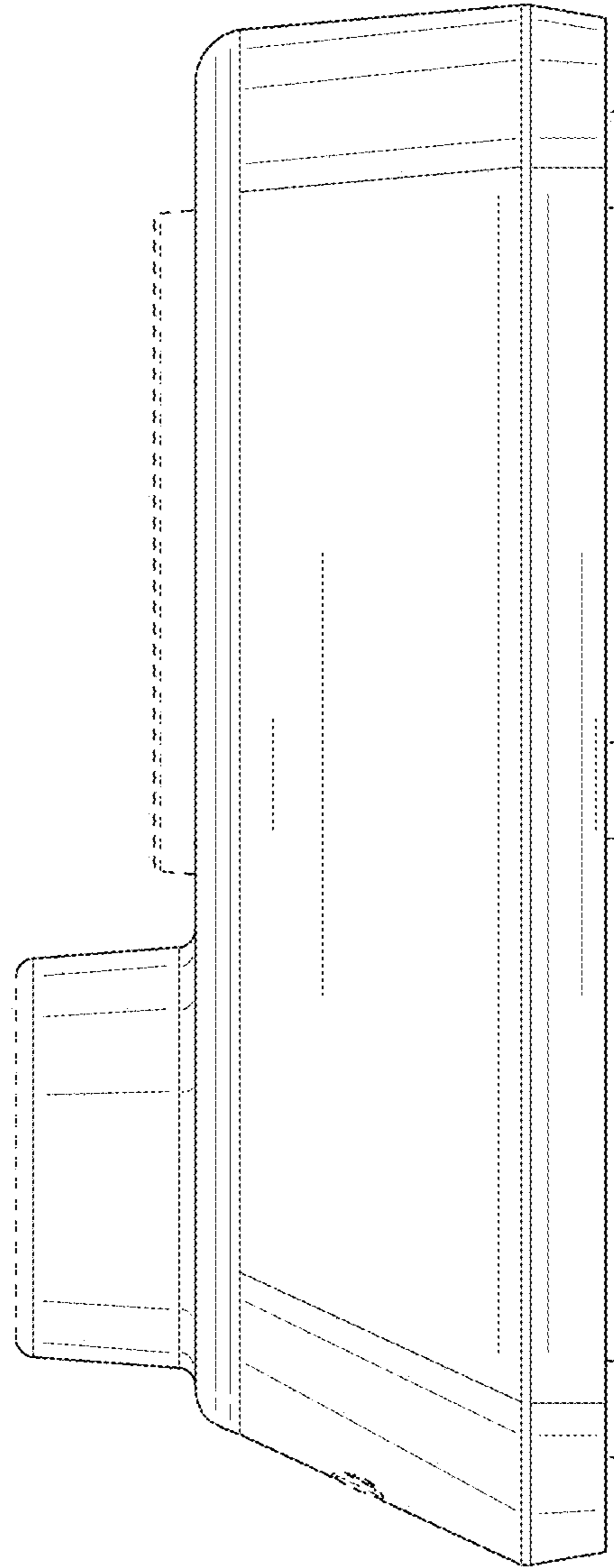


FIG. 6

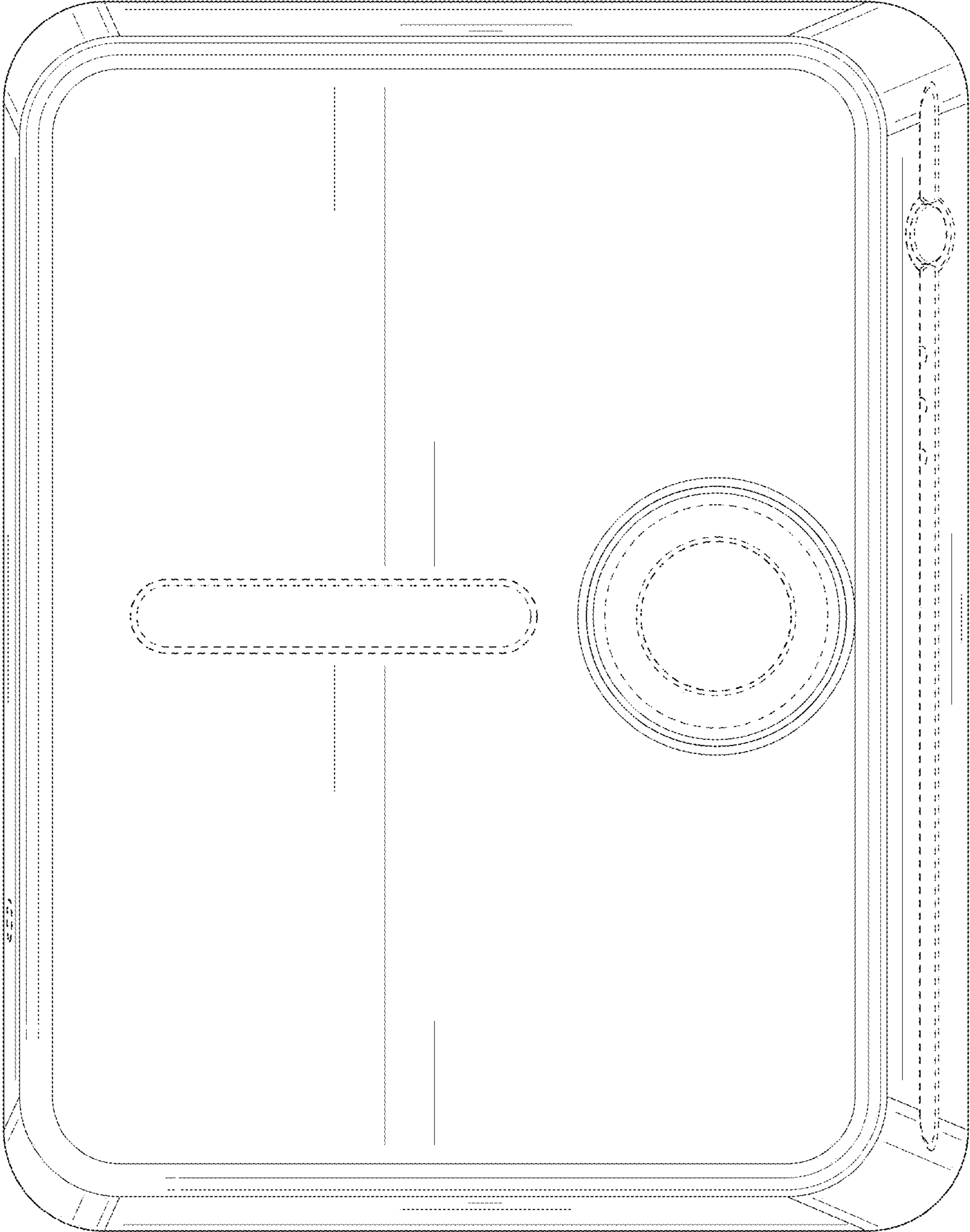


FIG. 7

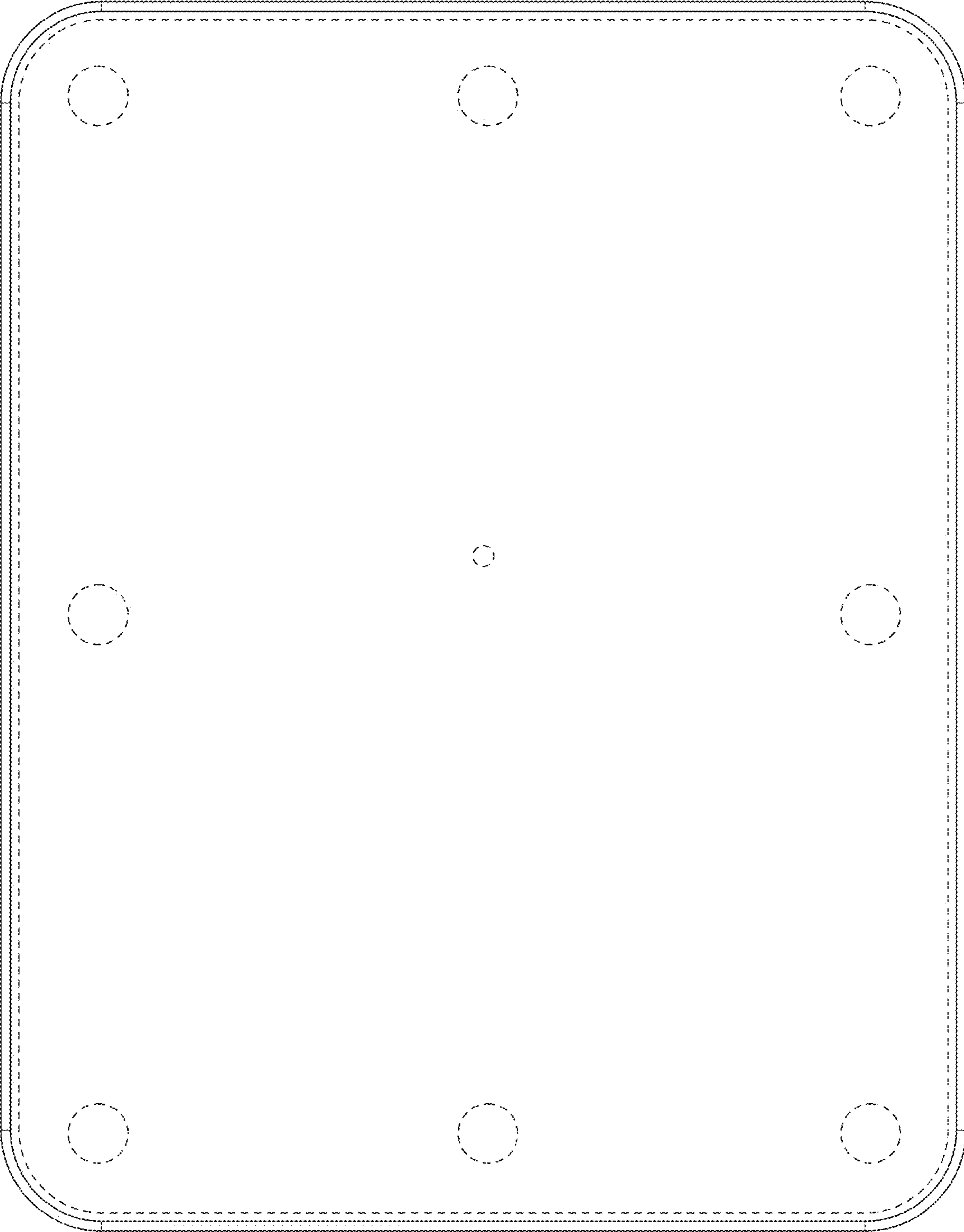


FIG. 8

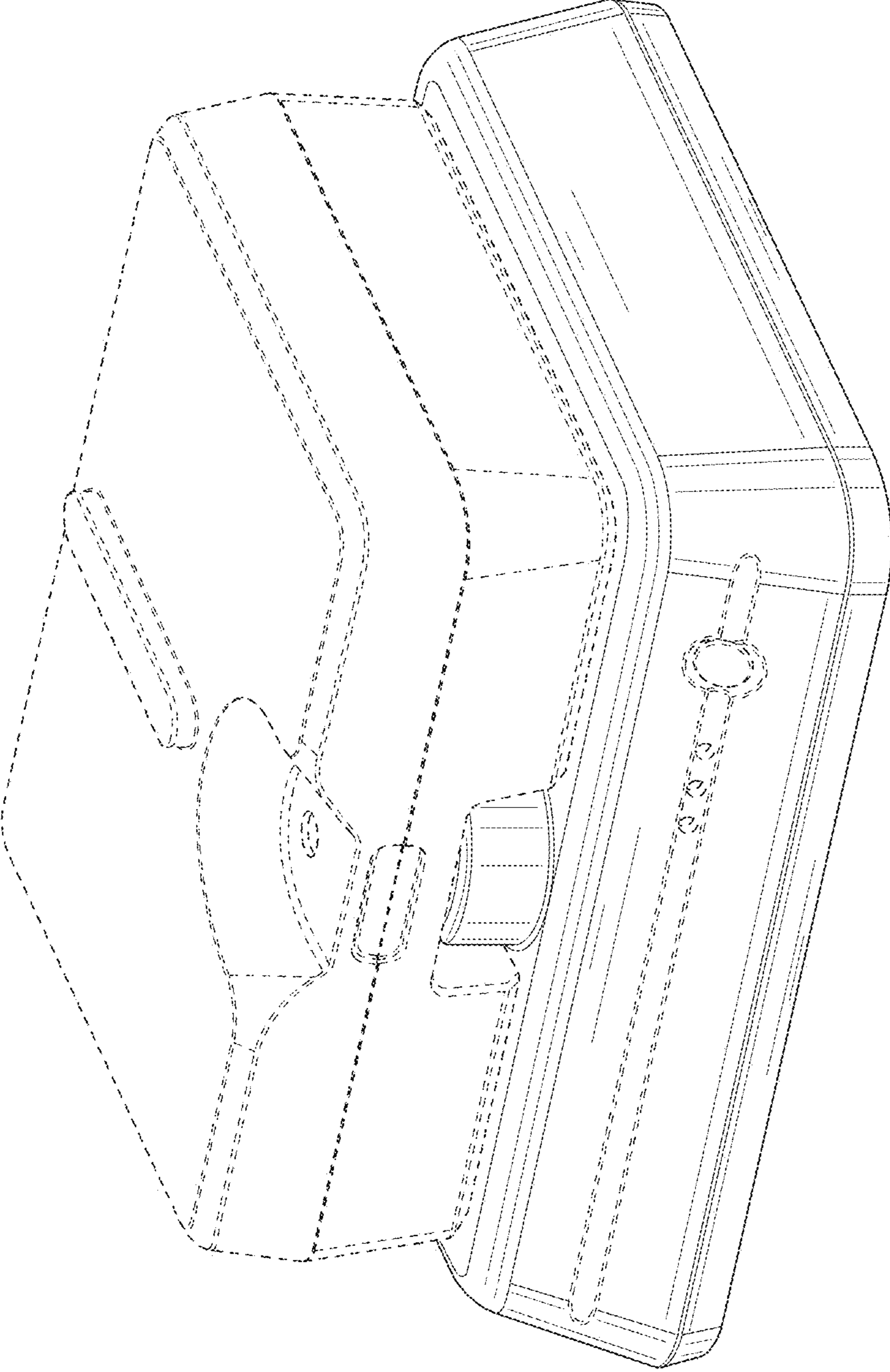


FIG. 9