



US0D1012390S

(12) **United States Design Patent**  
**Zuo**

(10) **Patent No.:** **US D1,012,390 S**

(45) **Date of Patent:** **\*\* Jan. 23, 2024**

(54) **VACUUM CLEANER BODY**

(71) Applicant: **Shenzhen Wenqu e-commerce Co., Ltd.**, Shenzhen (CN)

(72) Inventor: **Xiang Zuo**, Shenzhen (CN)

(73) Assignee: **Shenzhen Wenqu e-commerce Co., Ltd.**, Shenzhen (CN)

(\*\*) Term: **15 Years**

(21) Appl. No.: **29/879,651**

(22) Filed: **Jul. 11, 2023**

(51) **LOC (14) Cl.** ..... **15-05**

(52) **U.S. Cl.**  
USPC ..... **D32/18**

(58) **Field of Classification Search**  
USPC ..... D32/15, 17-21, 23, 24, 31-34  
CPC ..... A47L 7/0076; A47L 9/32; A47L 9/322;  
A47L 9/35; A47L 9/327; A47L 11/04;  
A47L 11/22; A47L 11/4075; A47L 5/24;  
A47L 5/26; A47L 7/02; A47L 9/04  
See application file for complete search history.

(56) **References Cited**

**U.S. PATENT DOCUMENTS**

D818,223 S *	5/2018	Nam	.....	D32/18
D821,667 S *	6/2018	Nam	.....	D32/18
D826,493 S *	8/2018	Nam	.....	D32/18
D872,394 S *	1/2020	Yang	.....	D32/18
10,638,901 B2 *	5/2020	Yang	.....	A47L 9/0411
D915,697 S *	4/2021	Kim	.....	B01D 46/62
				D32/18
D920,609 S *	5/2021	Ma	.....	D32/21
D927,103 S *	8/2021	Zou	.....	D32/18
D932,124 S *	9/2021	Lin	.....	D32/22
D935,713 S *	11/2021	Ma	.....	D32/18

D936,311 S *	11/2021	Liu	.....	D32/18
D946,221 S *	3/2022	Ma	.....	D32/18
D947,472 S *	3/2022	He	.....	D32/18
D948,142 S *	4/2022	He	.....	D32/18
D964,674 S *	9/2022	Kim	.....	D32/18
D965,930 S *	10/2022	Zhang	.....	D32/18
D966,637 S *	10/2022	Xu	.....	D32/18
D976,505 S *	1/2023	Tan	.....	D32/18
D980,559 S *	3/2023	Hu	.....	
D982,858 S *	4/2023	Dong	.....	D32/21
2021/0022573 A1 *	1/2021	Shin	.....	A47L 9/0477
2021/0212529 A1 *	7/2021	Hyun	.....	A47L 9/1666
2023/0210331 A1 *	7/2023	Yang	.....	A47L 9/1683
				15/300.1
2023/0240497 A1 *	8/2023	Her	.....	A47L 9/20
				15/347

\* cited by examiner

*Primary Examiner* — Kimberly Barnes

(74) *Attorney, Agent, or Firm* — Nitin Kaushik

(57) **CLAIM**

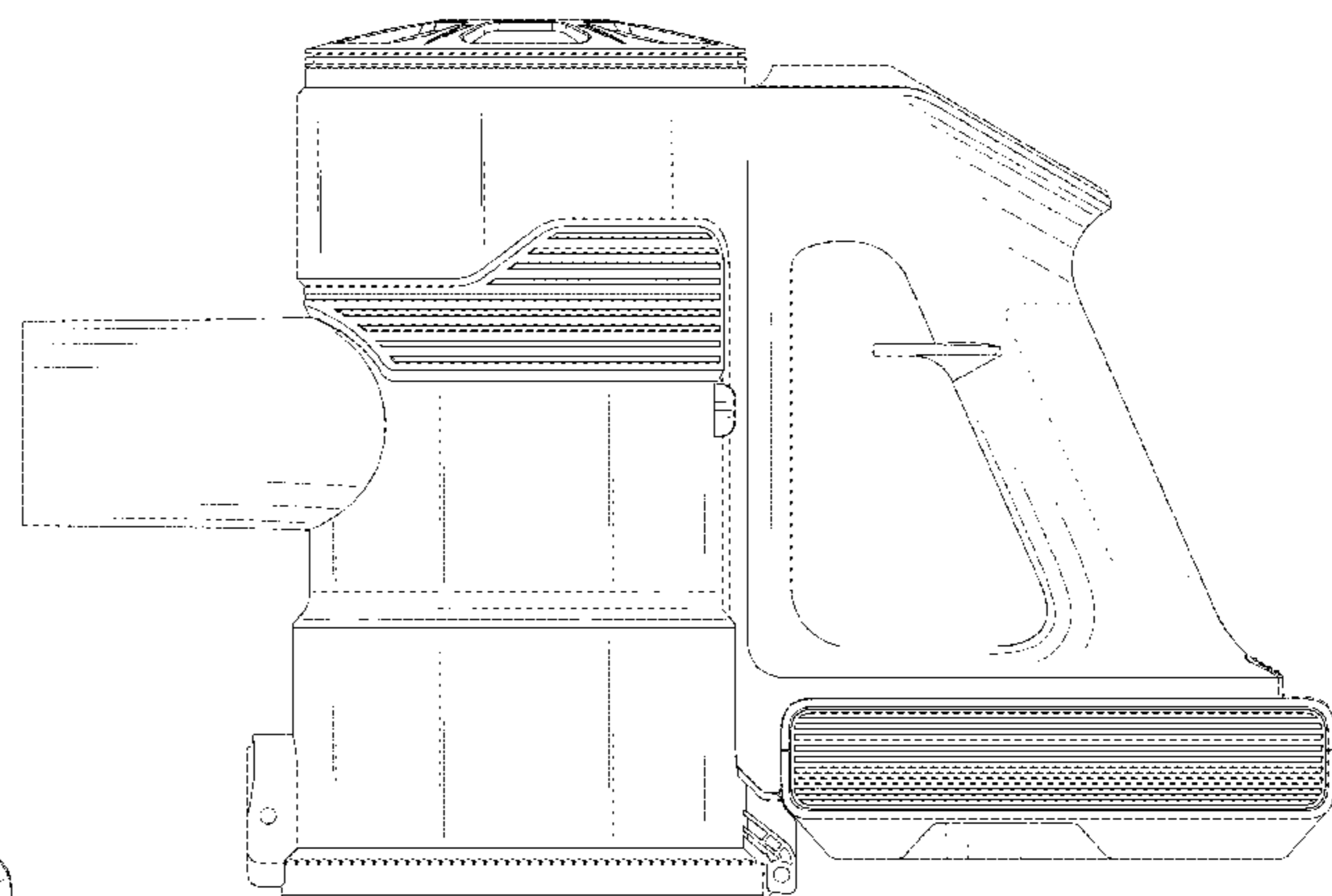
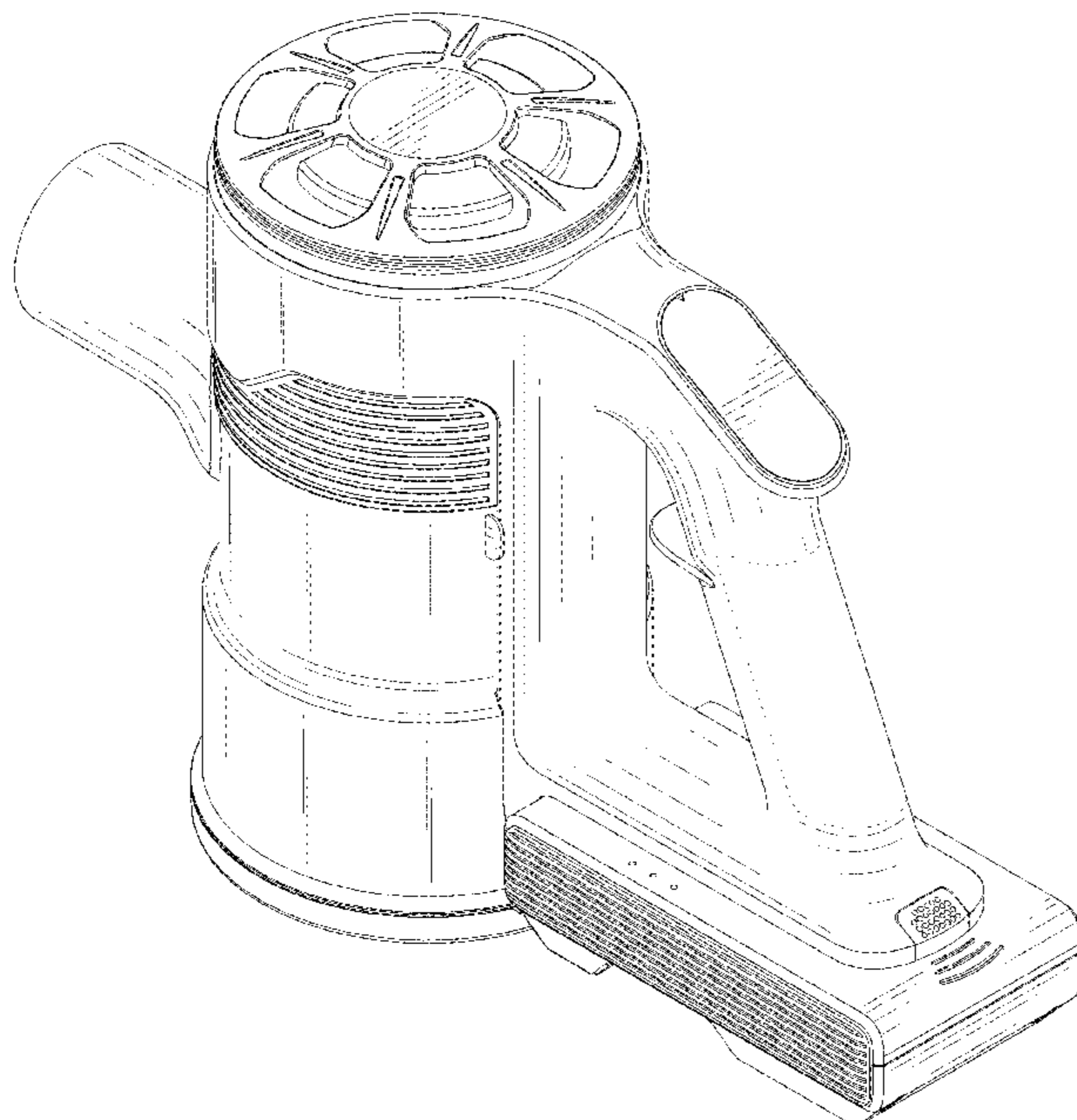
The ornamental design for a vacuum cleaner body, as shown and described.

**DESCRIPTION**

FIG. 1 is a front perspective view of a vacuum cleaner body, showing my new design;  
FIG. 2 is a front view thereof;  
FIG. 3 is a rear view thereof;  
FIG. 4 is a left side view thereof;  
FIG. 5 is a right side view thereof;  
FIG. 6 is a top view thereof; and,  
FIG. 7 is a bottom view thereof.

The broken lines in the drawings illustrate the portions of the vacuum cleaner body, which form no part of the claimed design.

**1 Claim, 7 Drawing Sheets**



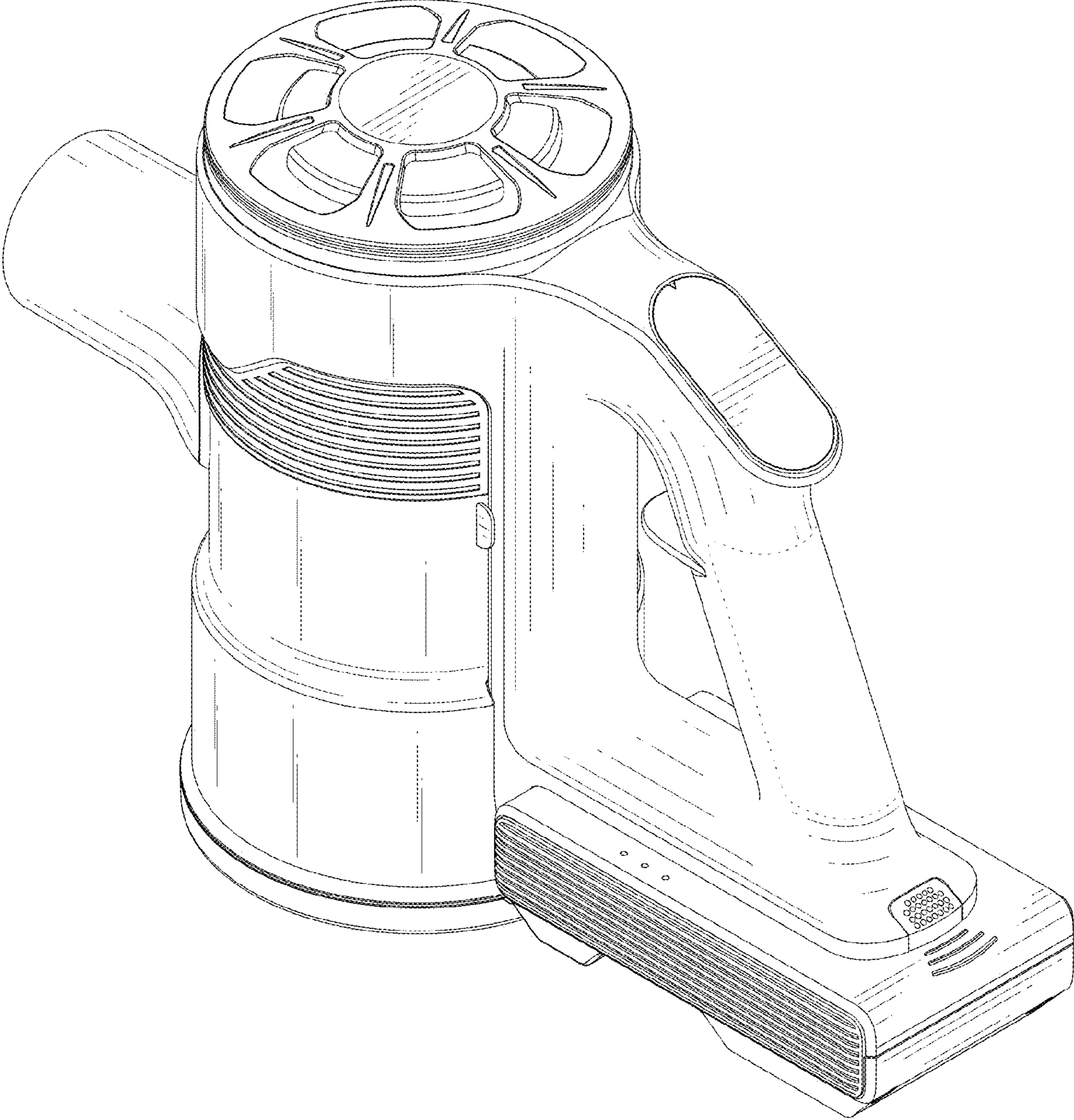


FIG. 1

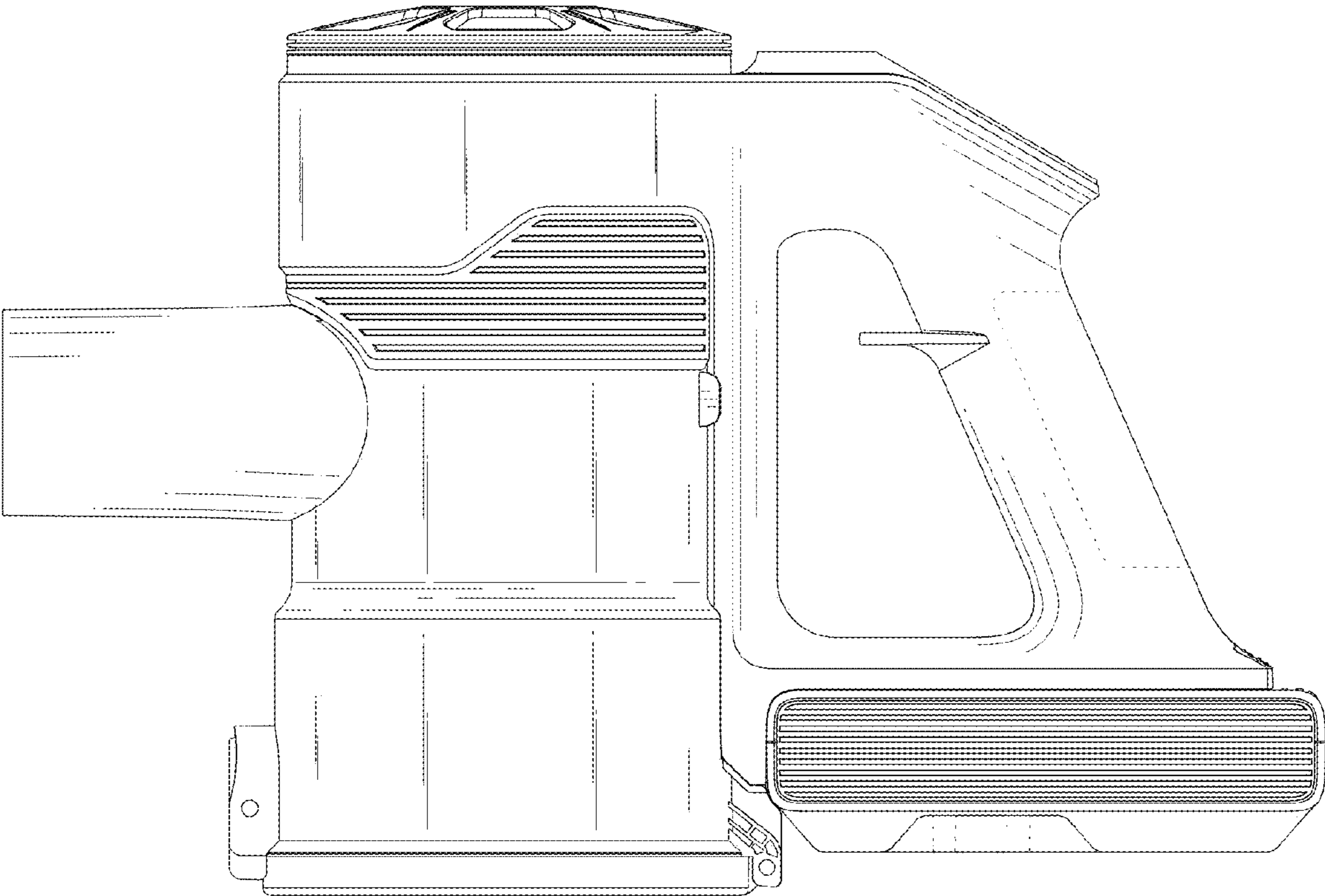


FIG. 2

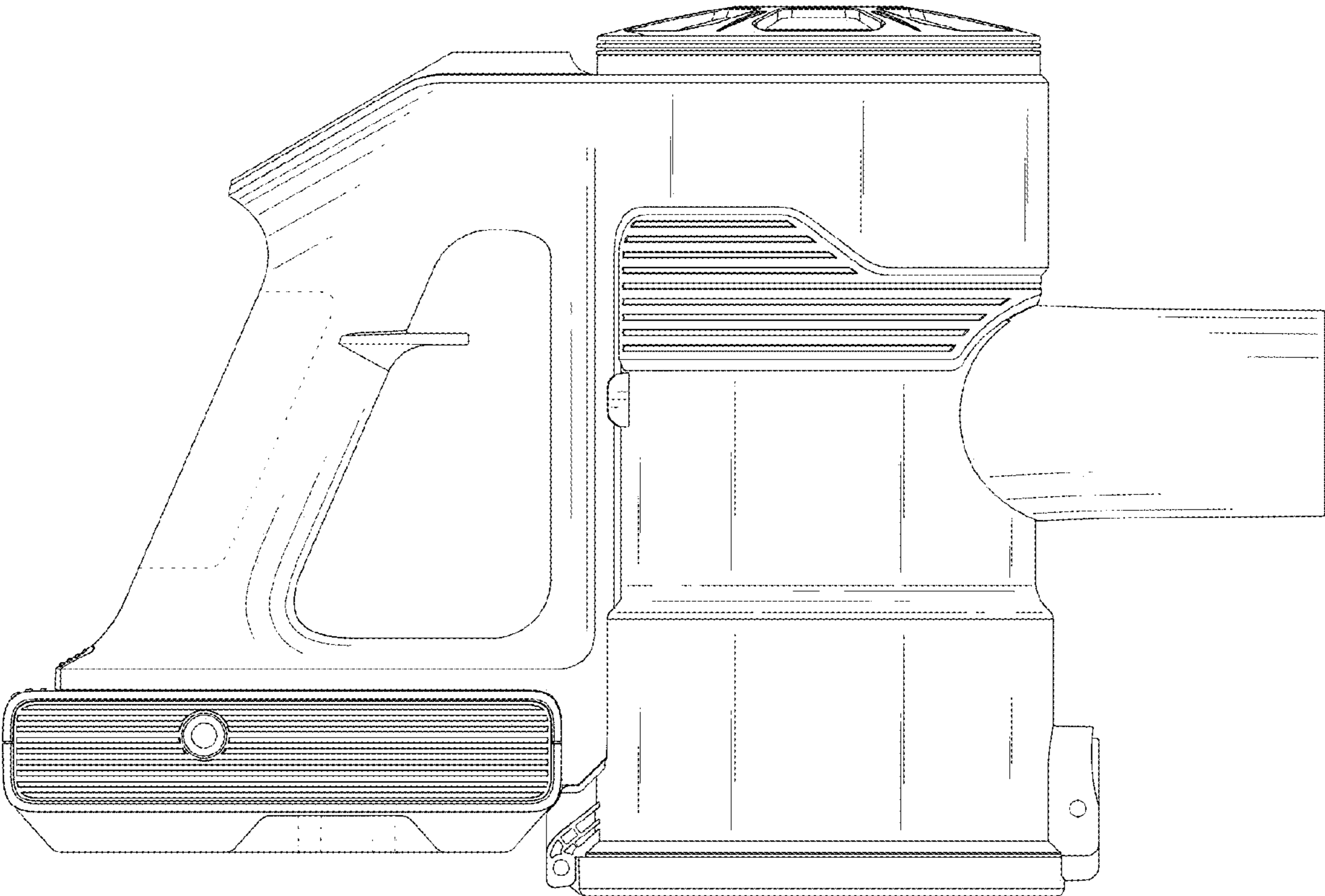


FIG. 3

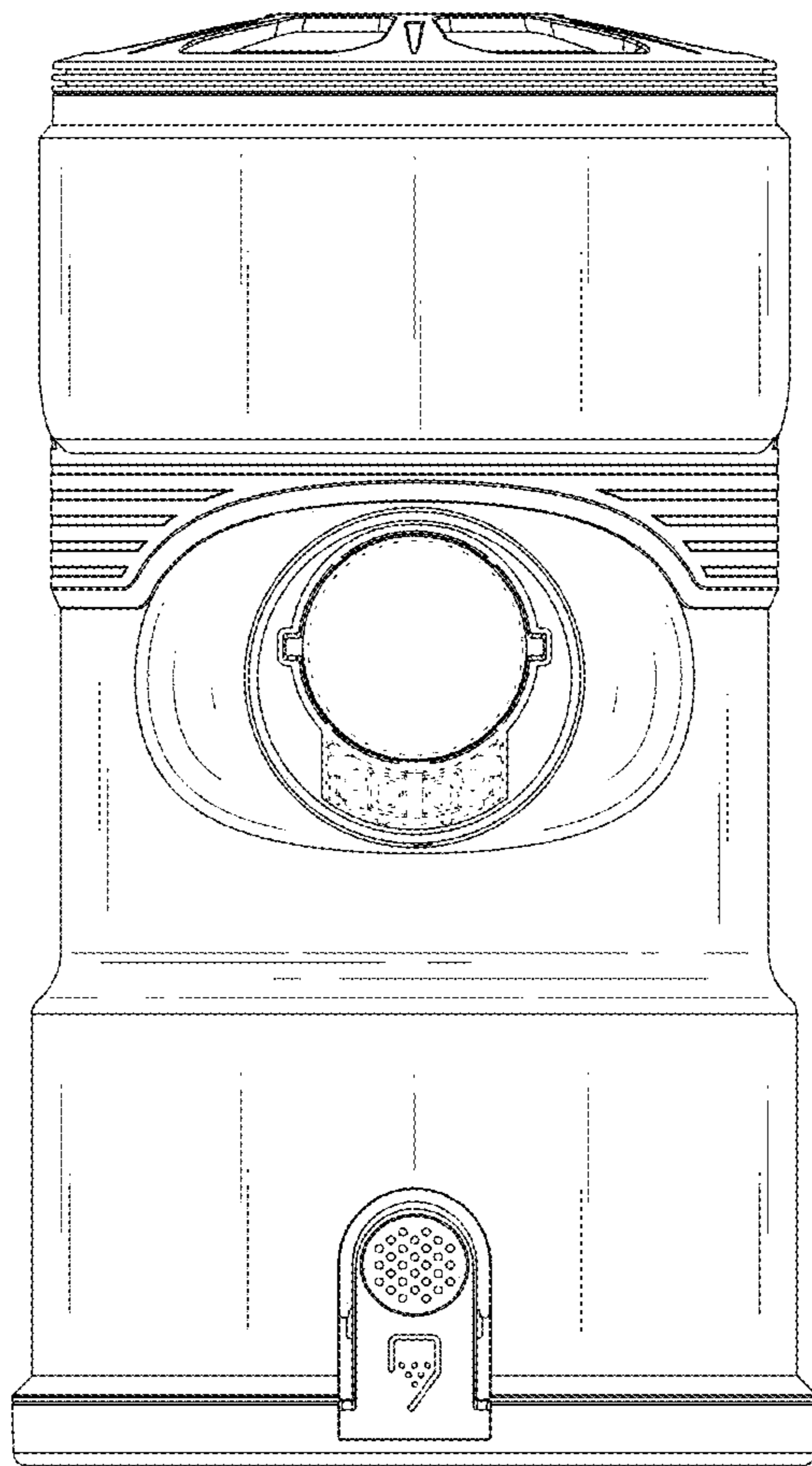


FIG. 4

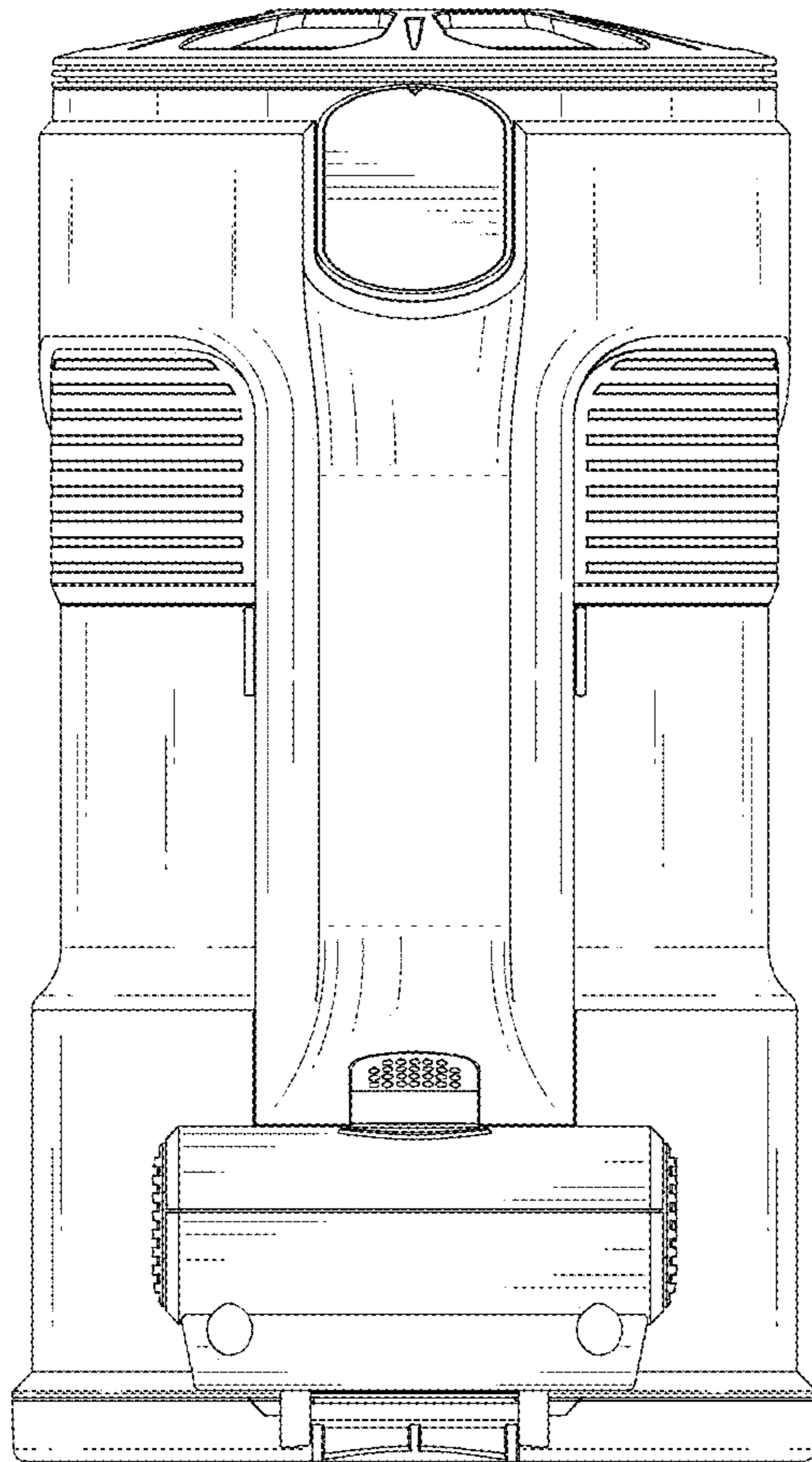


FIG. 5

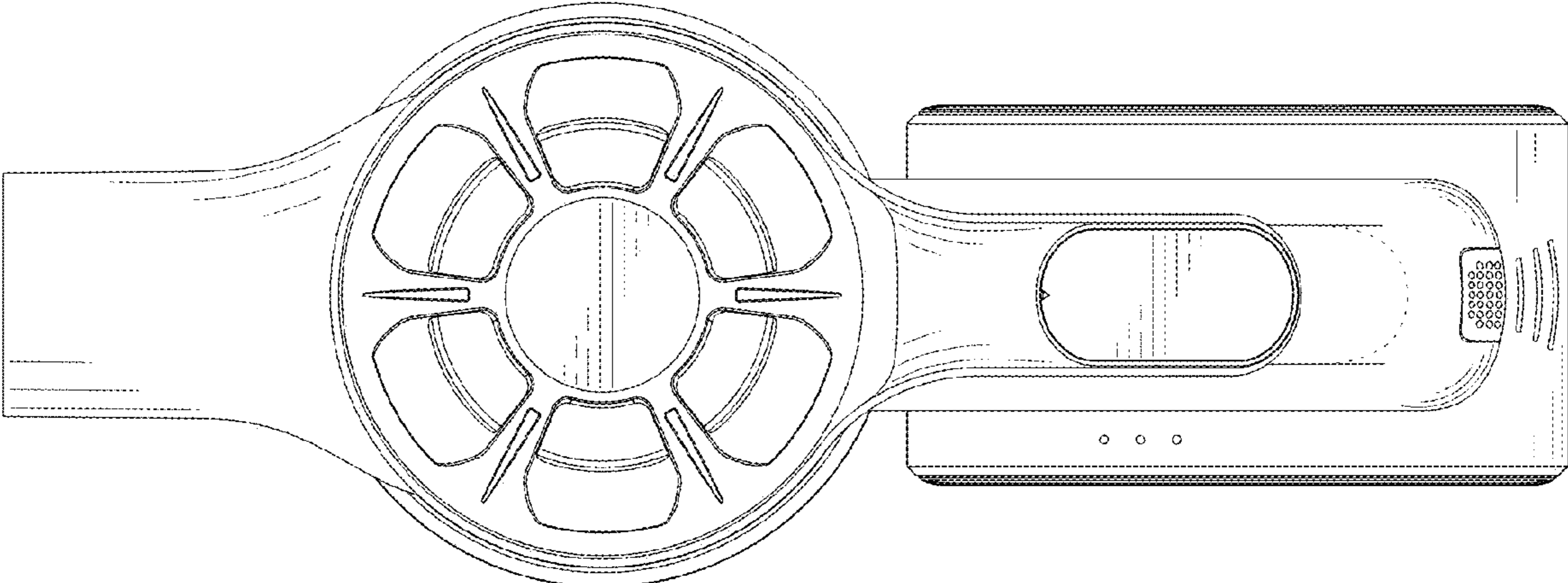


FIG. 6

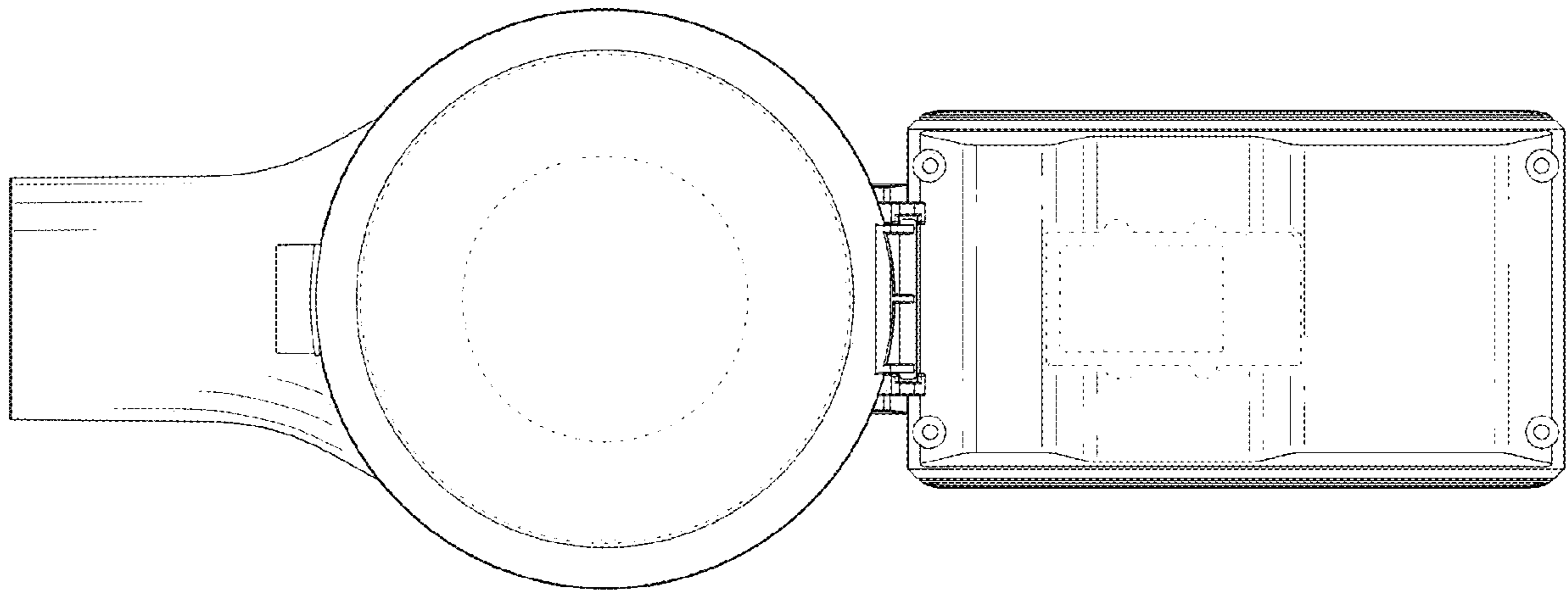


FIG. 7