



US0D1012374S

(12) **United States Design Patent**
Hiroki

(10) **Patent No.:** **US D1,012,374 S**
(45) **Date of Patent:** **** Jan. 23, 2024**

(54) **HELMET**

(71) Applicant: **SHOEI CO., LTD.**, Tokyo (JP)

(72) Inventor: **Takeshi Hiroki**, Tokyo (JP)

(73) Assignee: **SHOEI CO., LTD.**, Tokyo (JP)

(**) Term: **15 Years**

(21) Appl. No.: **29/867,925**

(22) Filed: **Nov. 14, 2022**

D621,550 S	8/2010	Shida
7,814,579 B2	10/2010	Dion
D627,520 S	11/2010	Choi
D673,734 S	1/2013	Hwang
D739,609 S	9/2015	Kimura
D747,556 S	1/2016	Fujita
D749,270 S	2/2016	Lee
D749,788 S	2/2016	Lee
D749,789 S	2/2016	Lee
D749,790 S	2/2016	Wako
D751,767 S	3/2016	Shida
D796,117 S	8/2017	Shida et al.
D819,892 S	6/2018	Lee

(Continued)

Related U.S. Application Data

(62) Division of application No. 35/512,435, filed on Feb. 26, 2021 (U.S. filing date under 35 U.S.C. 384), and having an international filing date of Feb. 26, 2021, now Pat. No. Des. 982,242.

Foreign Application Priority Data

Feb. 5, 2021 (JP) 2021-002597 D

(51) **LOC (14) Cl.** **02-99**

(52) **U.S. Cl.**
USPC **D29/122**

(58) **Field of Classification Search**
USPC D29/122, 102-112
CPC A42B 3/04; A42B 3/0406; A42B 3/18;
A42B 3/0493; A42B 3/28; A42B 3/281;
A42B 3/283

See application file for complete search history.

(56) **References Cited**

U.S. PATENT DOCUMENTS

D485,948 S	1/2004	Yi	
D549,884 S	8/2007	Dion	
D571,049 S	6/2008	Mateu Codina	
D571,507 S	6/2008	Murakami	
D583,102 S	* 12/2008	Summers D29/106
D601,307 S	9/2009	Izquierdo Mediavilla	

OTHER PUBLICATIONS

Shoei Unveils Opticson Helmet (on-line), dated Apr. 27, 2022. Retrieved from Internet May 11, 2023, URL: <https://www.rideapart.com/news/582457/shoei-opticson-hud-helmet-prototype/> (4 pages) (Year: 2022).*

Primary Examiner — Kimberly Barnes

(74) *Attorney, Agent, or Firm* — CANTOR COLBURN LLP

(57) **CLAIM**

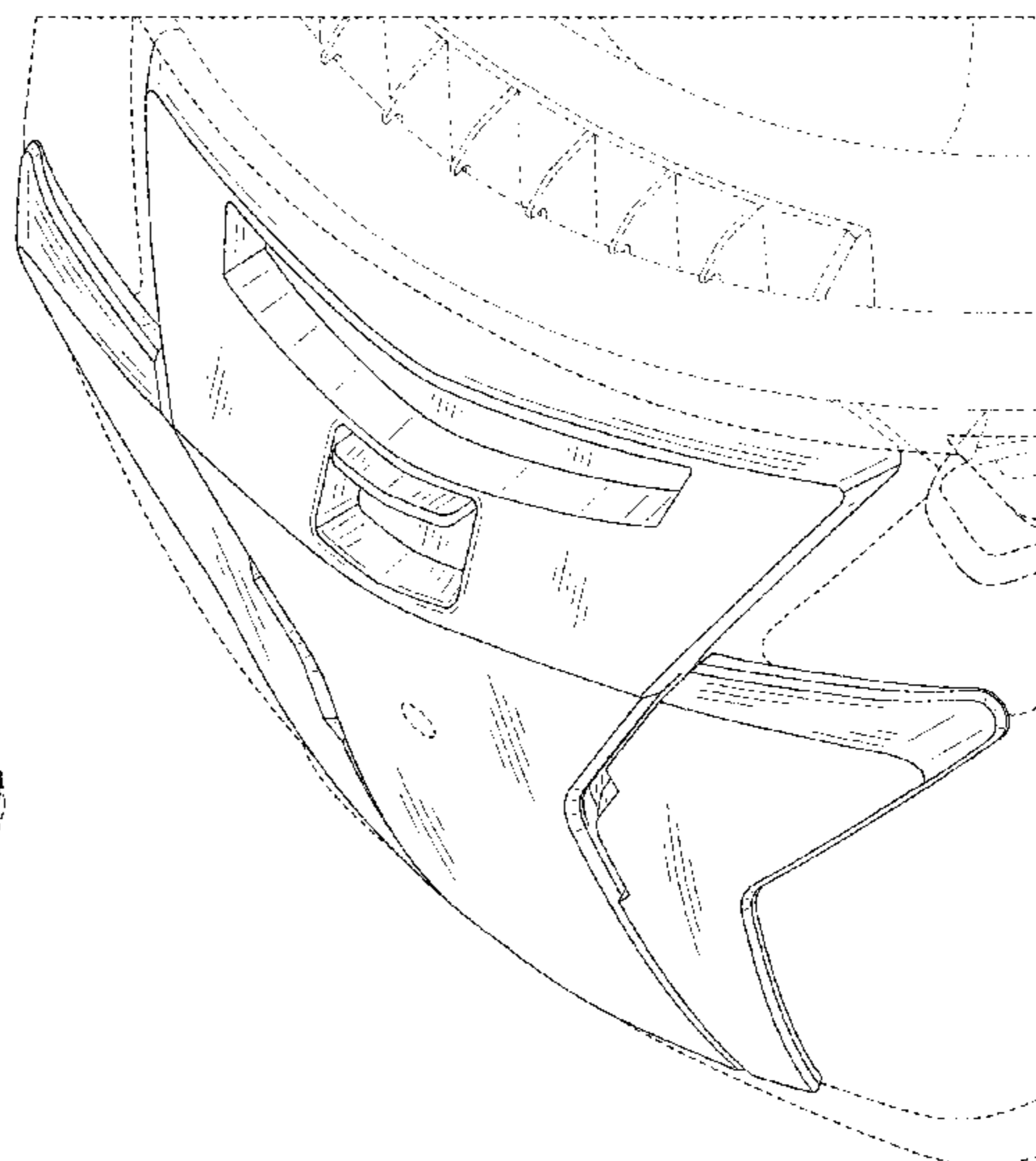
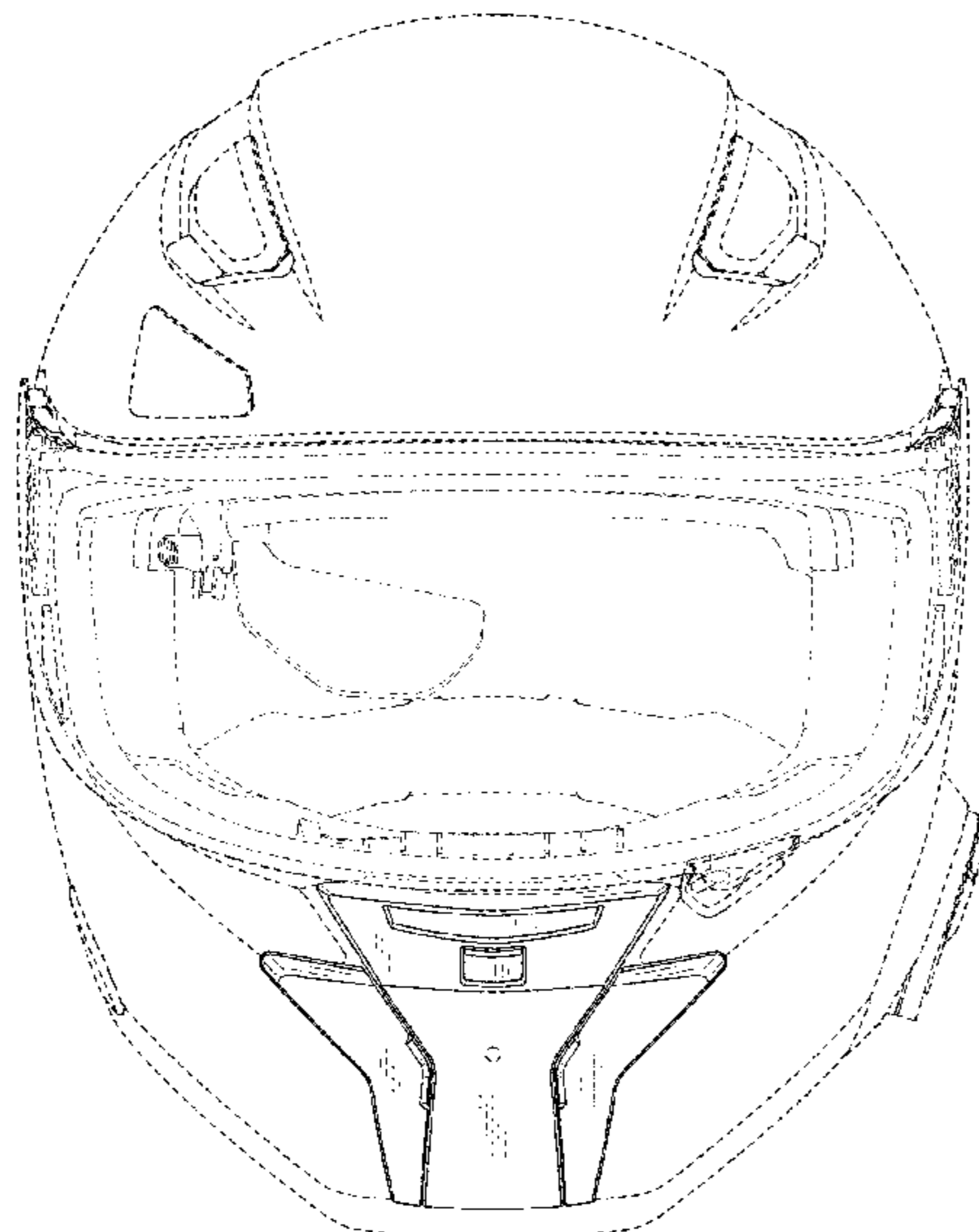
The ornamental design for a helmet, as shown and described.

DESCRIPTION

- FIG. 1: Perspective
- FIG. 2: Front
- FIG. 3: Enlarged
- FIG. 4: Enlarged
- FIG. 5: Top
- FIG. 6: Bottom
- FIG. 7: Right; and,
- FIG. 8: Left

The broken lines in the drawings depict portions of the helmet that form no part of the claimed design.

1 Claim, 8 Drawing Sheets



(56)

References Cited

U.S. PATENT DOCUMENTS

D822,907	S	7/2018	Fukuyama	
D831,894	S	10/2018	Salveti	
D836,254	S	12/2018	Nimura	
D838,917	S	1/2019	Murakami	
D838,918	S	1/2019	Salveti	
D841,256	S	2/2019	Salveti	
D843,663	S	3/2019	Locatelli	
D845,553	S *	4/2019	Tang	D29/107
D849,328	S	5/2019	Tang	
D853,042	S *	7/2019	Lee	D29/107
D859,748	S	9/2019	Lee	
D884,980	S	5/2020	Murakami	
10,660,392	B2	5/2020	Nimura et al.	
D901,780	S	11/2020	Wako	
D905,912	S	12/2020	Lee	
D908,289	S	1/2021	Lee	
D916,379	S	4/2021	Jeon	
D916,380	S	4/2021	Lee	
10,973,274	B2	4/2021	Levesque et al.	
D927,080	S	8/2021	Nimura	
D929,045	S	8/2021	Murakami	
D931,546	S *	9/2021	Krauter	D29/105
D949,483	S *	4/2022	Occhipinti	D29/105
D959,752	S *	8/2022	Locatelli	D29/105
D962,549	S	8/2022	Wako	
D962,551	S *	8/2022	Wako	D29/122
D967,543	S *	10/2022	Whitesell	D29/107
D977,198	S *	1/2023	Whitesell	D29/105
D982,242	S *	3/2023	Hiroki	D29/107
2018/0295926	A1 *	10/2018	Bouchard Fortin ...	A42B 3/281
2021/0361017	A1	11/2021	Mooney	
2023/0132462	A1 *	5/2023	Roy	A42B 3/28 2/410

* cited by examiner

FIG.1

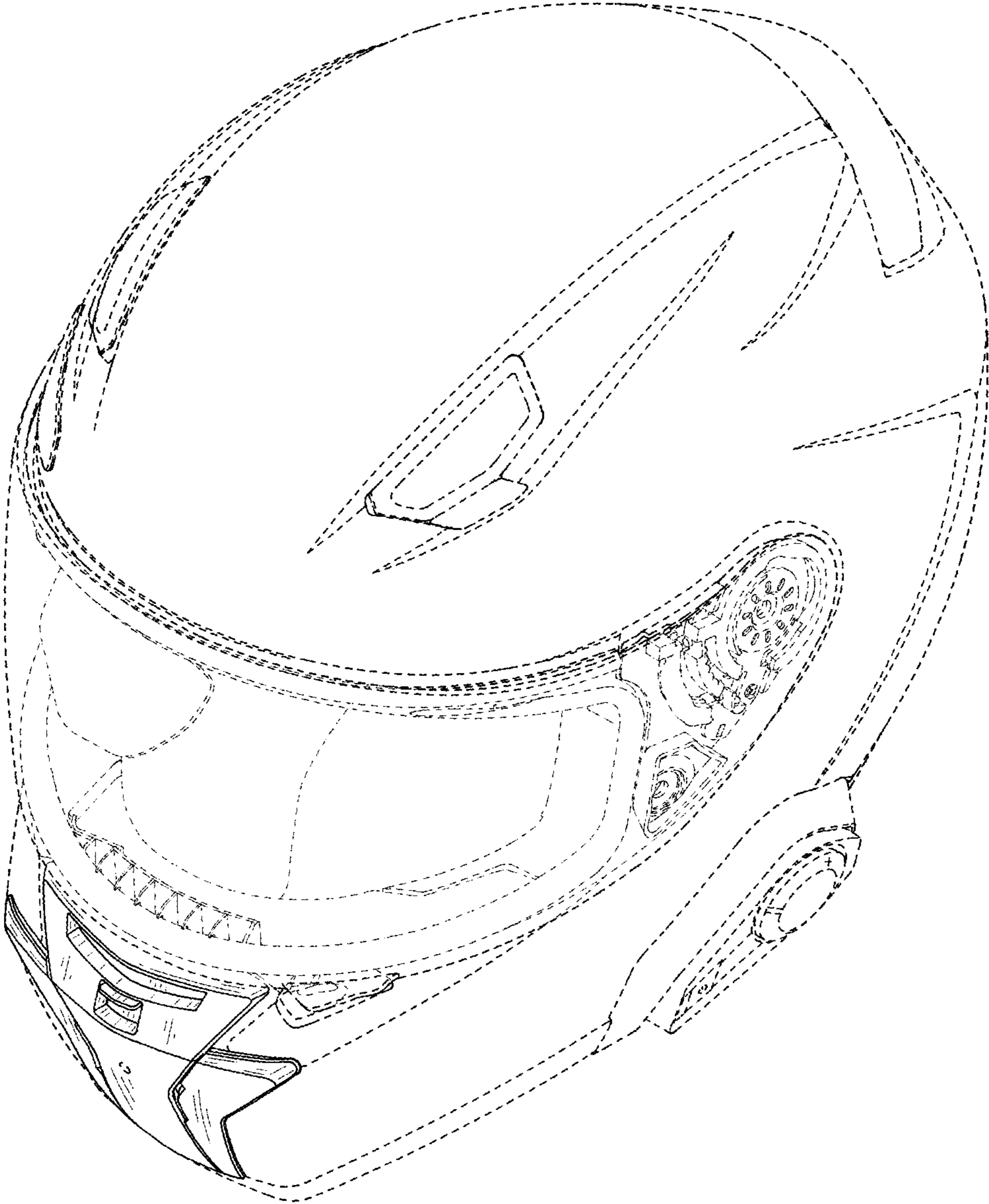


FIG.2

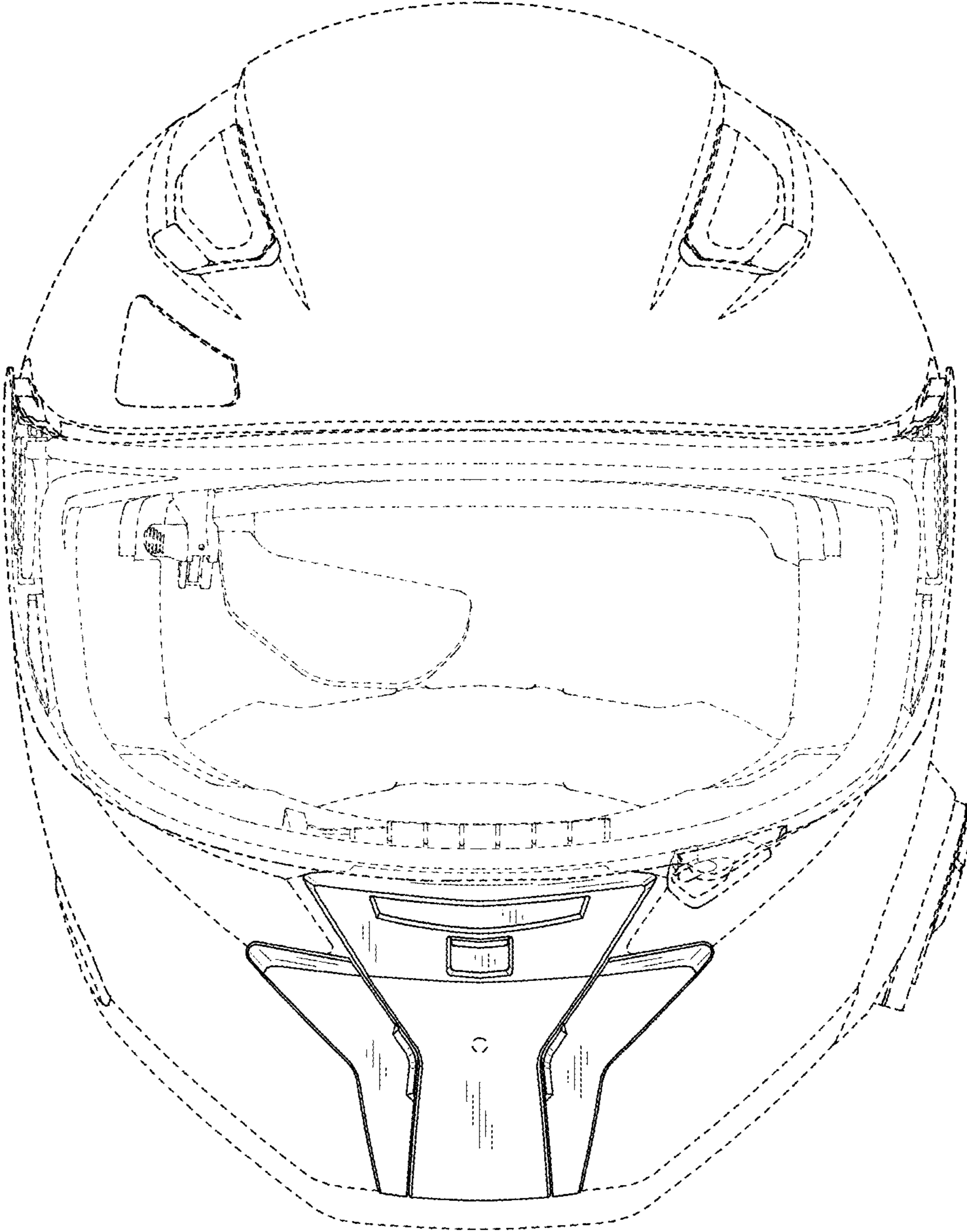


FIG.3

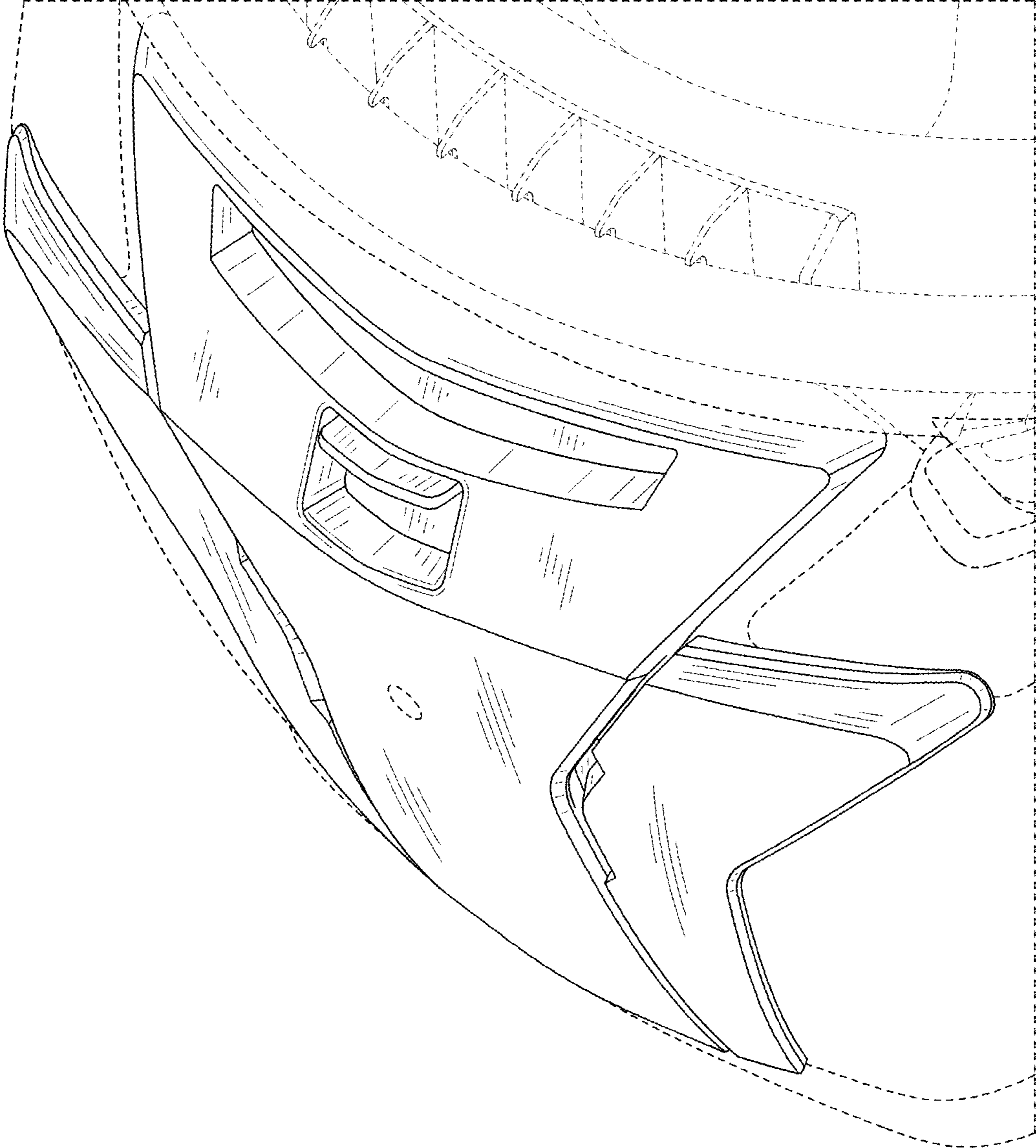


FIG.4

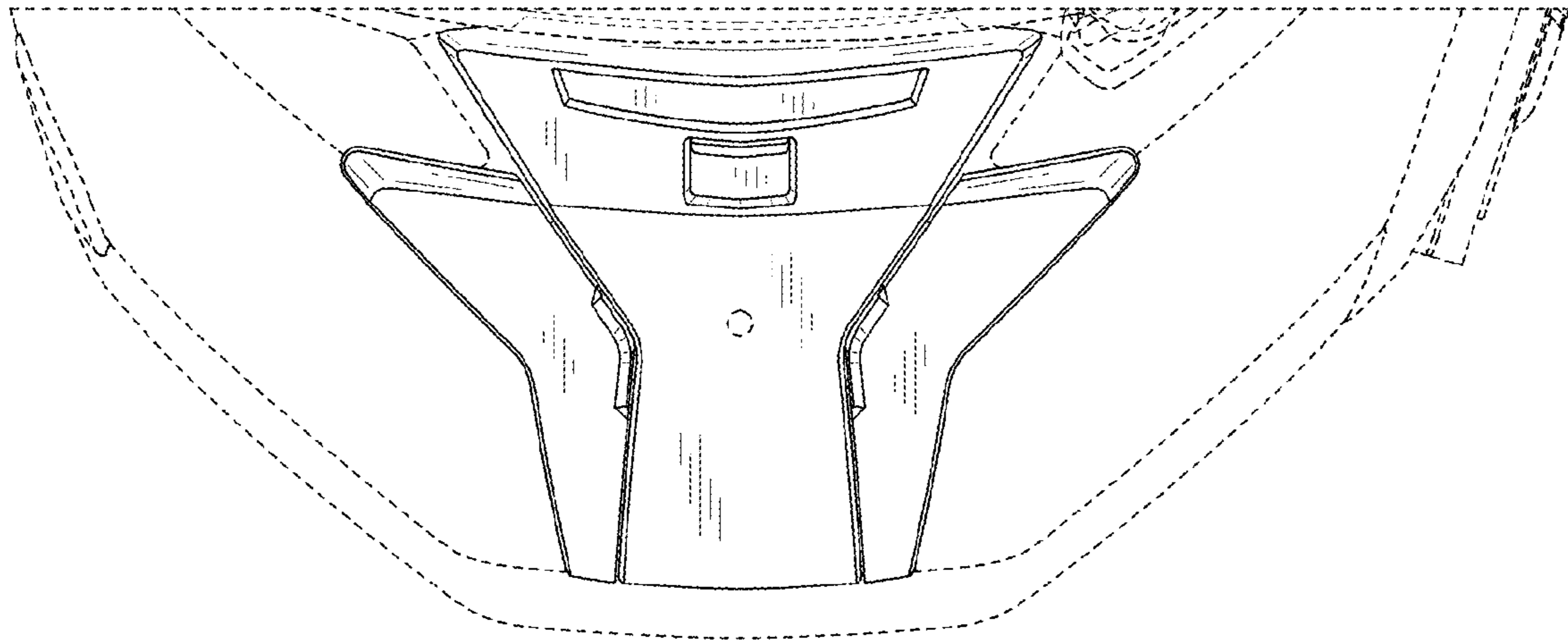


FIG.5

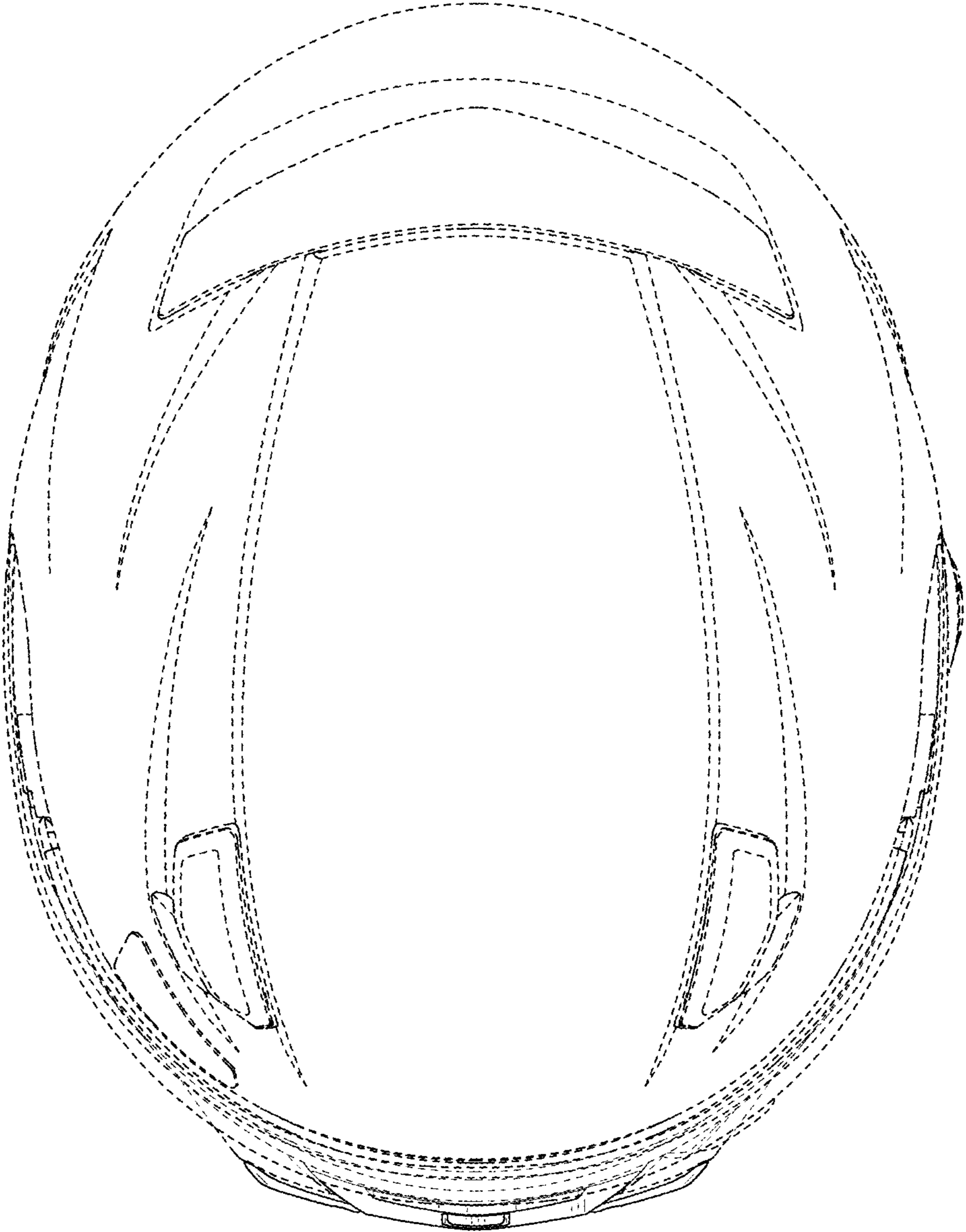


FIG.6

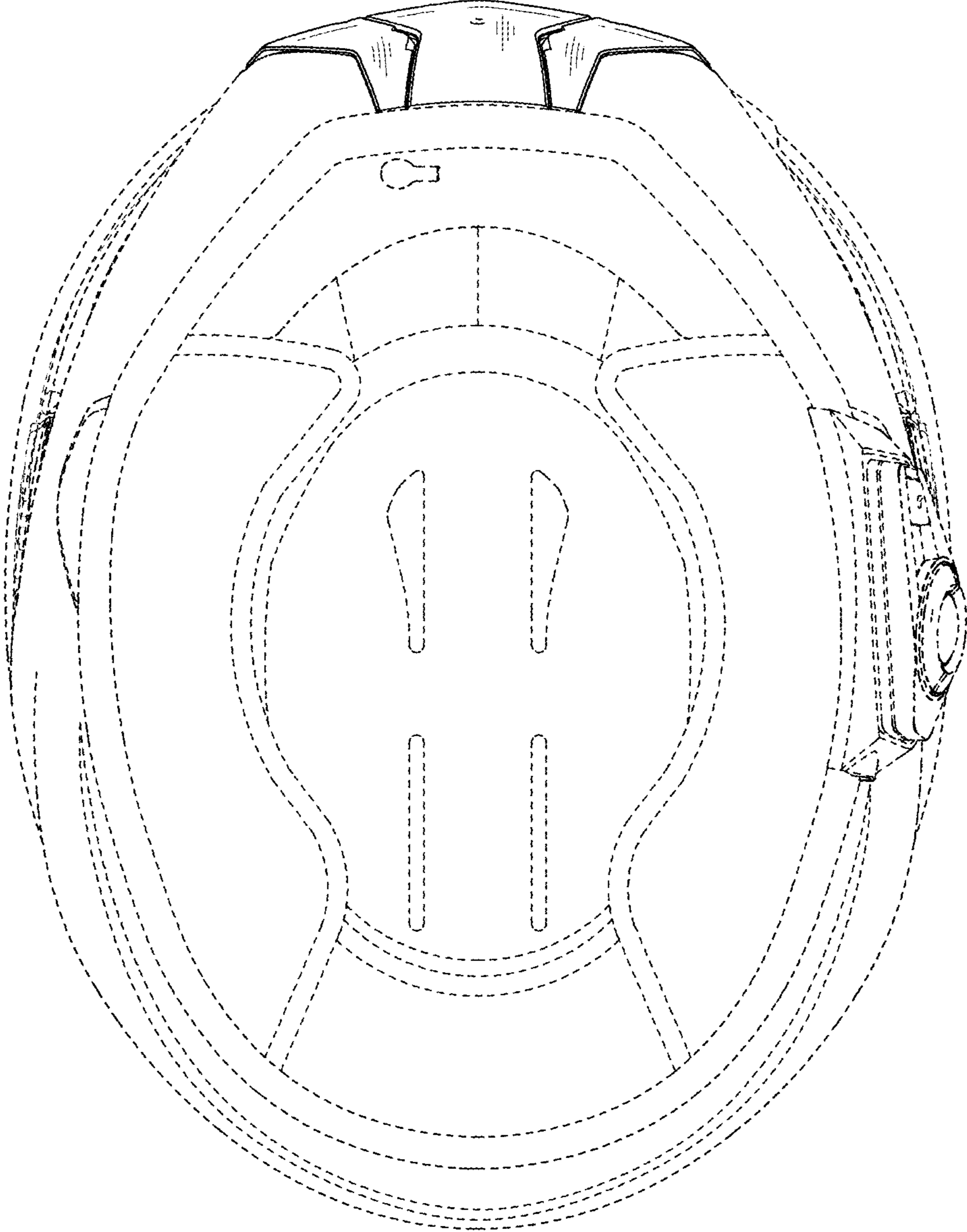


FIG.7

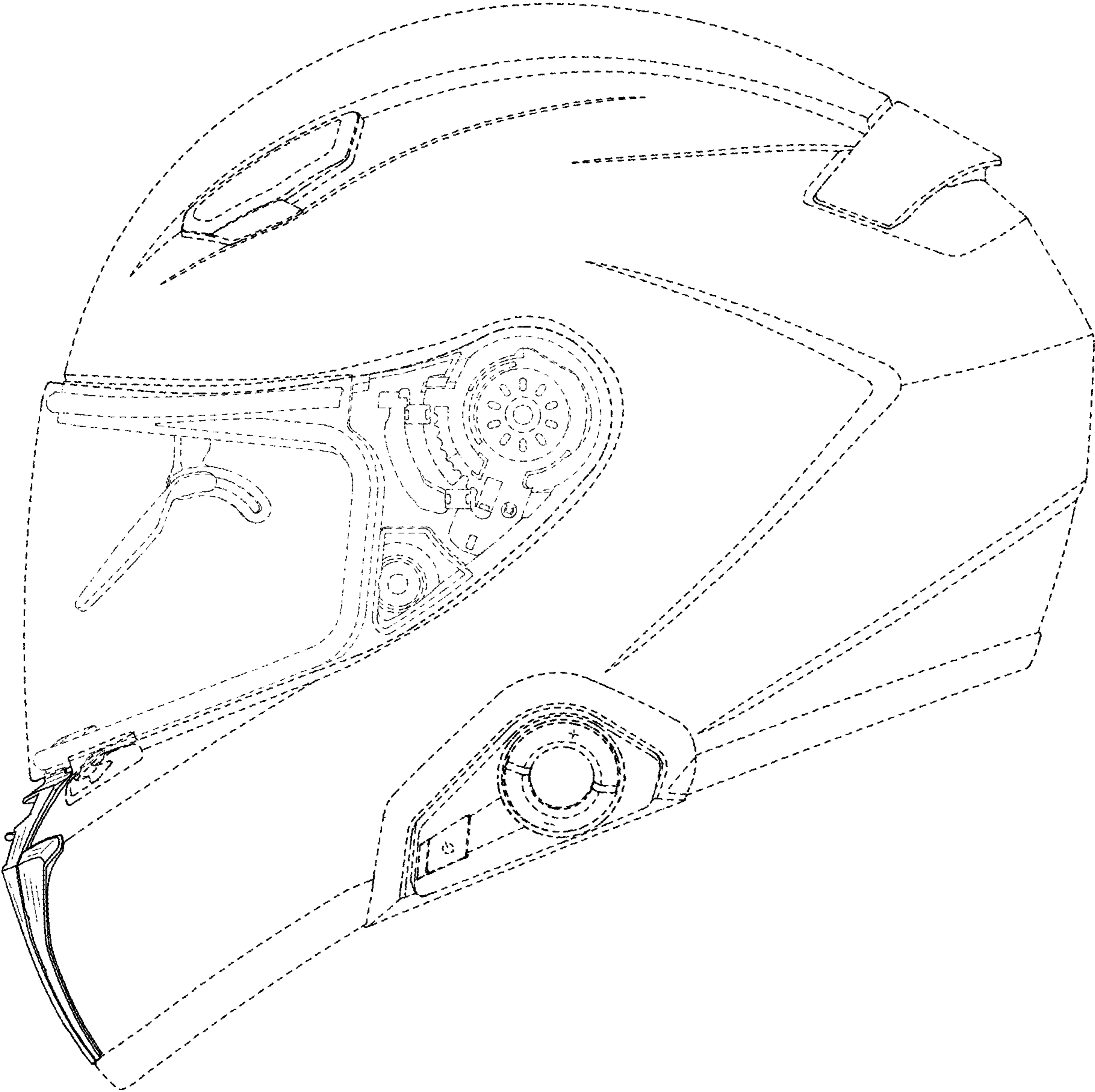


FIG.8

