



US0D1012301S

(12) **United States Design Patent**  
**Ferrell**

(10) **Patent No.:** **US D1,012,301 S**

(45) **Date of Patent:** **\*\* Jan. 23, 2024**

(54) **PACIFIER**

(74) *Attorney, Agent, or Firm* — Baker Donelson

(71) Applicant: **Lindsey Ferrell**, Lakeland, TN (US)

(57) **CLAIM**

(72) Inventor: **Lindsey Ferrell**, Lakeland, TN (US)

The ornamental design for a pacifier, as shown and described.

(\*\*) Term: **15 Years**

(21) Appl. No.: **29/787,700**

**DESCRIPTION**

(22) Filed: **Jun. 8, 2021**

FIG. 1 is a front perspective view of the pacifier according to a first embodiment of the present invention.

(51) **LOC (14) Cl.** ..... **24-04**

FIG. 2 is a rear perspective view of the pacifier as shown in FIG. 1.

(52) **U.S. Cl.**

USPC ..... **D24/194**

FIG. 3 is a front view of the pacifier as shown in FIG. 1.

(58) **Field of Classification Search**

USPC ..... D24/115, 117, 190, 193, 194, 195, 214;  
D30/160; D21/576, 584, 596, 616, 611,  
D21/630; D11/215

FIG. 4 is a rear view of the pacifier as shown in FIG. 1

CPC ..... A61J 17/001; A61J 17/10; A61J 17/107;  
A61J 17/109; A61J 17/111; A61J  
17/1111; A61J 17/1115

FIG. 5 is a right side view of the pacifier as shown in FIG. 1.

See application file for complete search history.

FIG. 6 is a left side view of the pacifier as shown in FIG. 1.

FIG. 7 is a top view of the pacifier as shown in FIG. 1.

FIG. 8 is a bottom view of the pacifier as shown in FIG. 1.

FIG. 9 is a right side perspective view of the pacifier as shown in FIG. 1.

FIG. 10 is a front perspective view of the pacifier according to a second embodiment of the present invention.

FIG. 11 is a rear perspective view of the pacifier as shown in FIG. 10.

FIG. 12 is a front view of the pacifier as shown in FIG. 10.

FIG. 13 is a rear view of the pacifier as shown in FIG. 10.

FIG. 14 is a right side view of the pacifier as shown in FIG. 10.

FIG. 15 is a left side view of the pacifier as shown in FIG. 10.

FIG. 16 is a top view of the pacifier as shown in FIG. 10.

FIG. 17 is a bottom view of the pacifier as shown in FIG. 10; and,  
FIG. 18 is a right side perspective view of the pacifier as shown in FIG. 10.

The broken lines represent portions of the article that form no part of the claimed design.

(56) **References Cited**

**U.S. PATENT DOCUMENTS**

2,665,693	A *	1/1954	Pecora	.....	A61J 17/109
					606/235
3,669,117	A *	6/1972	Herbst	.....	A61J 17/001
					606/235

(Continued)

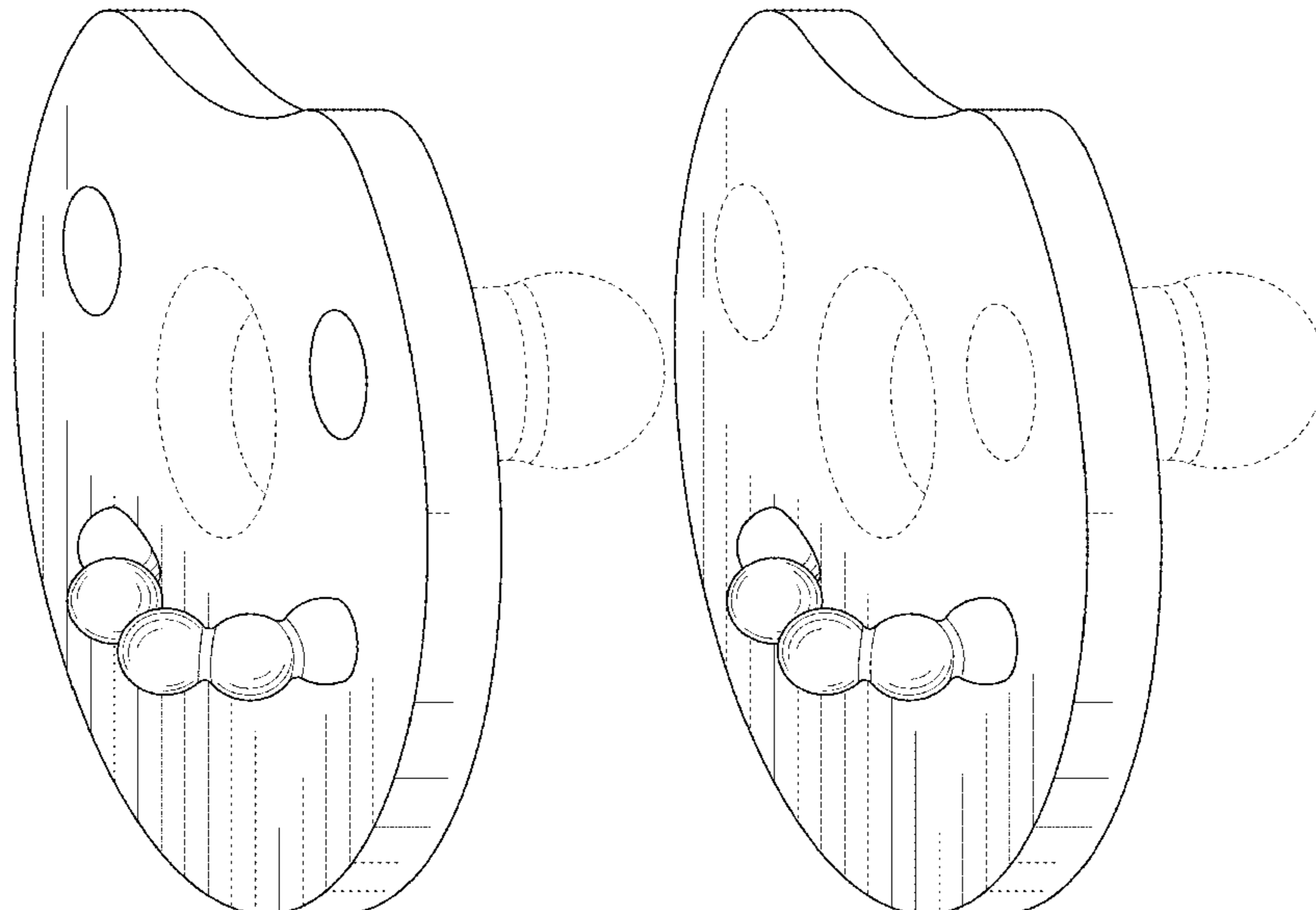
**OTHER PUBLICATIONS**

“Ali+Oli: Modern Pacifier, 0-6 Months”. Found online Apr. 20, 2020 at amazon.com. Reference dated Nov. 26, 2019. Retrieved from <https://www.amazon.com/Ali-Oli-Pacifier-Silicone-Chupetes/dp/B07Y7LKQFV/>.\*

(Continued)

*Primary Examiner* — Kendra Leslie Hamilton

**1 Claim, 12 Drawing Sheets**



(56)

**References Cited**

## U.S. PATENT DOCUMENTS

D303,839 S \* 10/1989 Fitzpatrick ..... D24/194  
D748,811 S \* 2/2016 Lee ..... D24/194  
D755,451 S \* 5/2016 Lai ..... D30/160  
D907,785 S \* 1/2021 Warden ..... D24/194  
D926,327 S \* 7/2021 Douglas ..... D24/194  
D928,973 S \* 8/2021 Warden ..... D24/194  
D940,340 S \* 1/2022 Sturm ..... D24/188  
D953,547 S \* 5/2022 Park ..... D24/195  
D954,278 S \* 6/2022 Simon ..... D24/194  
2012/0290007 A1 \* 11/2012 Rohrig ..... A61J 17/02  
606/235  
2020/0093707 A1 \* 3/2020 Ferrell ..... A61J 17/02

## OTHER PUBLICATIONS

“RaZbaby: BerryBumps Silicone Teether with Handle”. Found online Oct. 27, 2022 at amazon.com. Reference dated Nov. 26, 2021. Retrieved from <https://www.amazon.com/RaZbaby-RaZberry-Silicone-Teether-Easy/dp/B09HYM4N75/>.\*

“Hevea: Star & Moon Orthodontic Pacifier”. Found online Sep. 29, 2021 at amazon.com. Reference dated May 3, 2011. Retrieved from <https://www.amazon.com/HEVEA-Star-Orthodontic-Pacifier-months/dp/B004GVFRM0/>.\*

“PhilipsAVENT: Notched Newborn Pacifier”. Found online Sep. 29, 2021 at amazon.co.uk. Reference dated Nov. 23, 2016. Retrieved from <https://www.amazon.co.uk/Philips-Notched-Newborn-Pacifier-Hospital/dp/B01GK58ME4/>.\*

\* cited by examiner

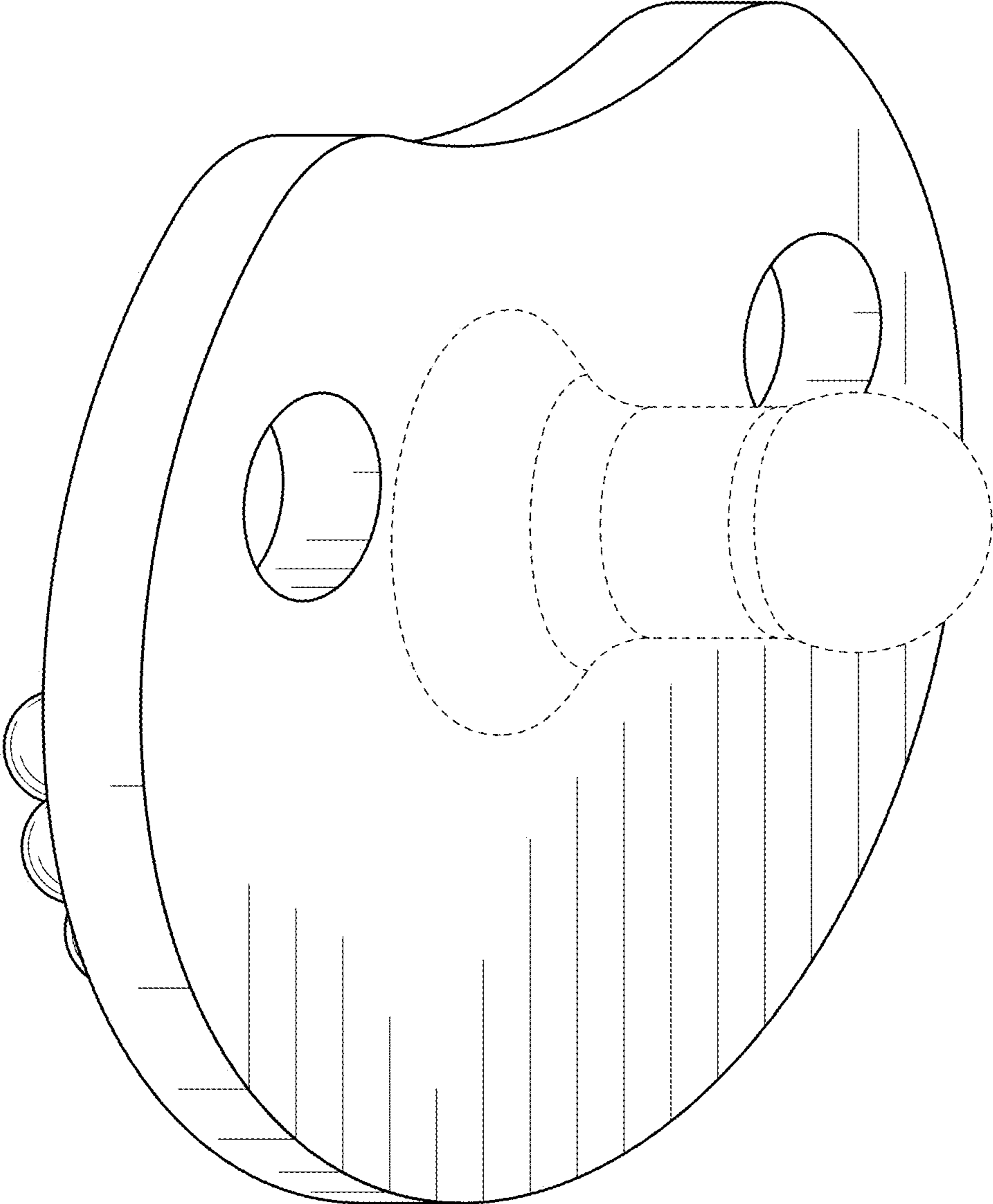


FIG. 1

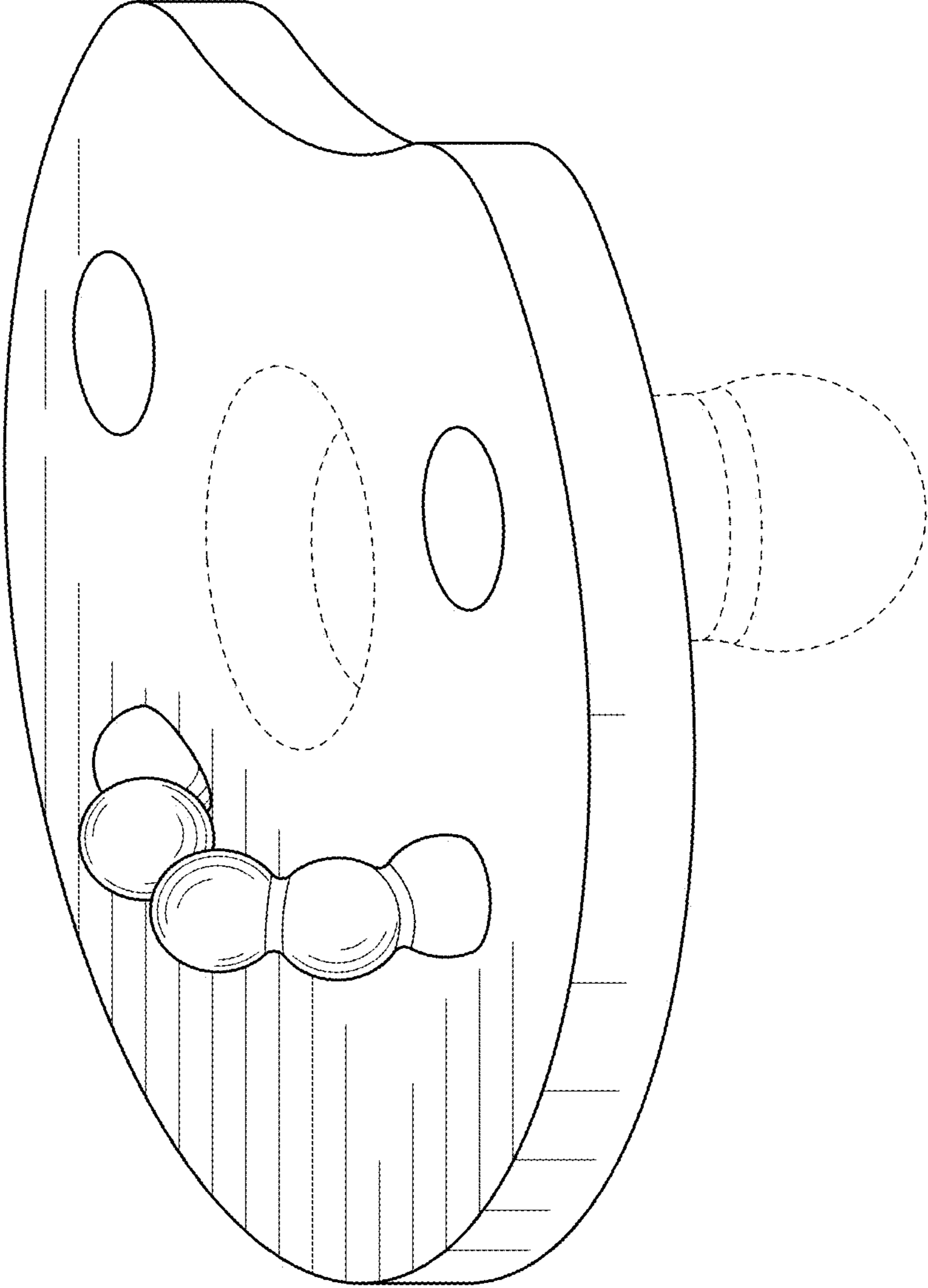


FIG. 2

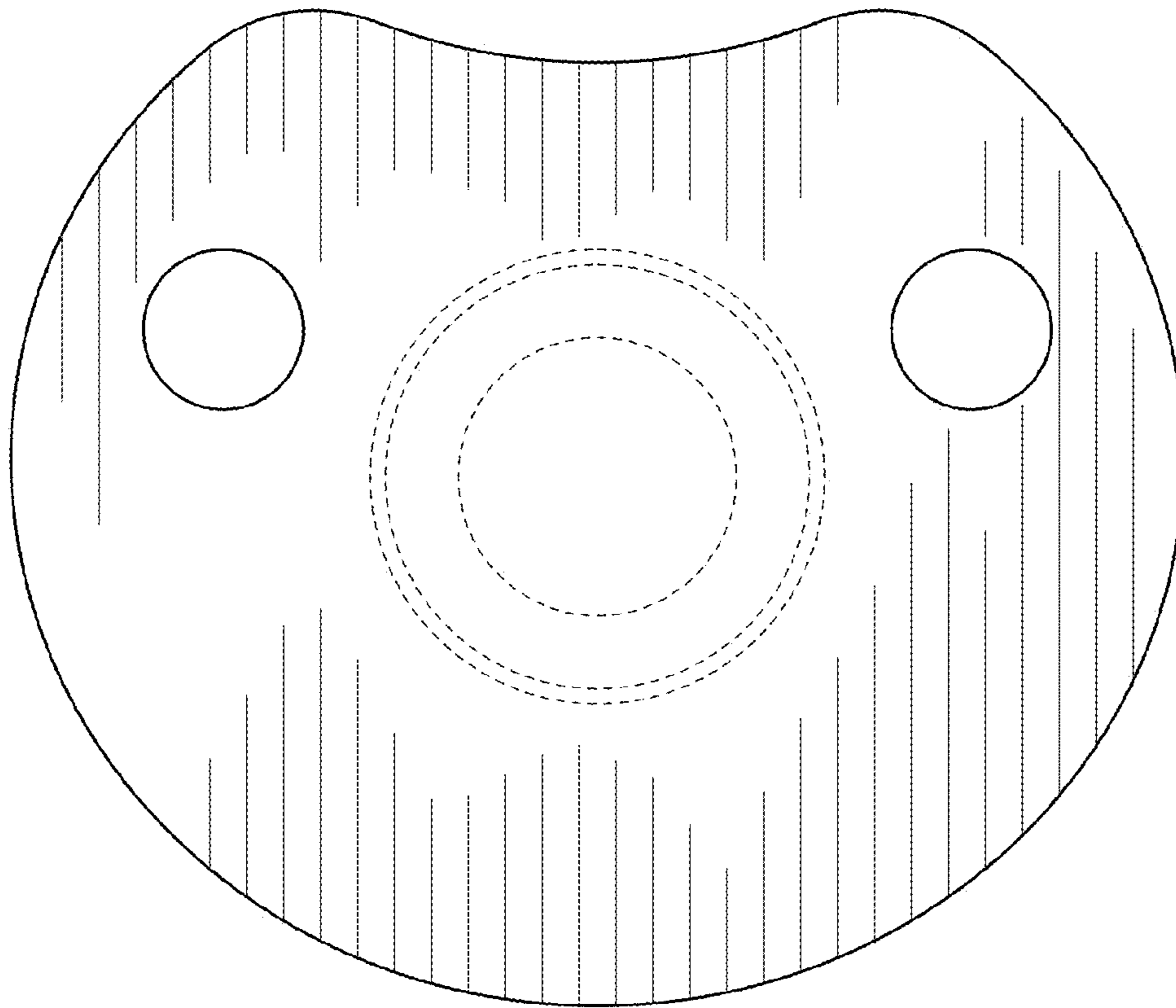


FIG. 3

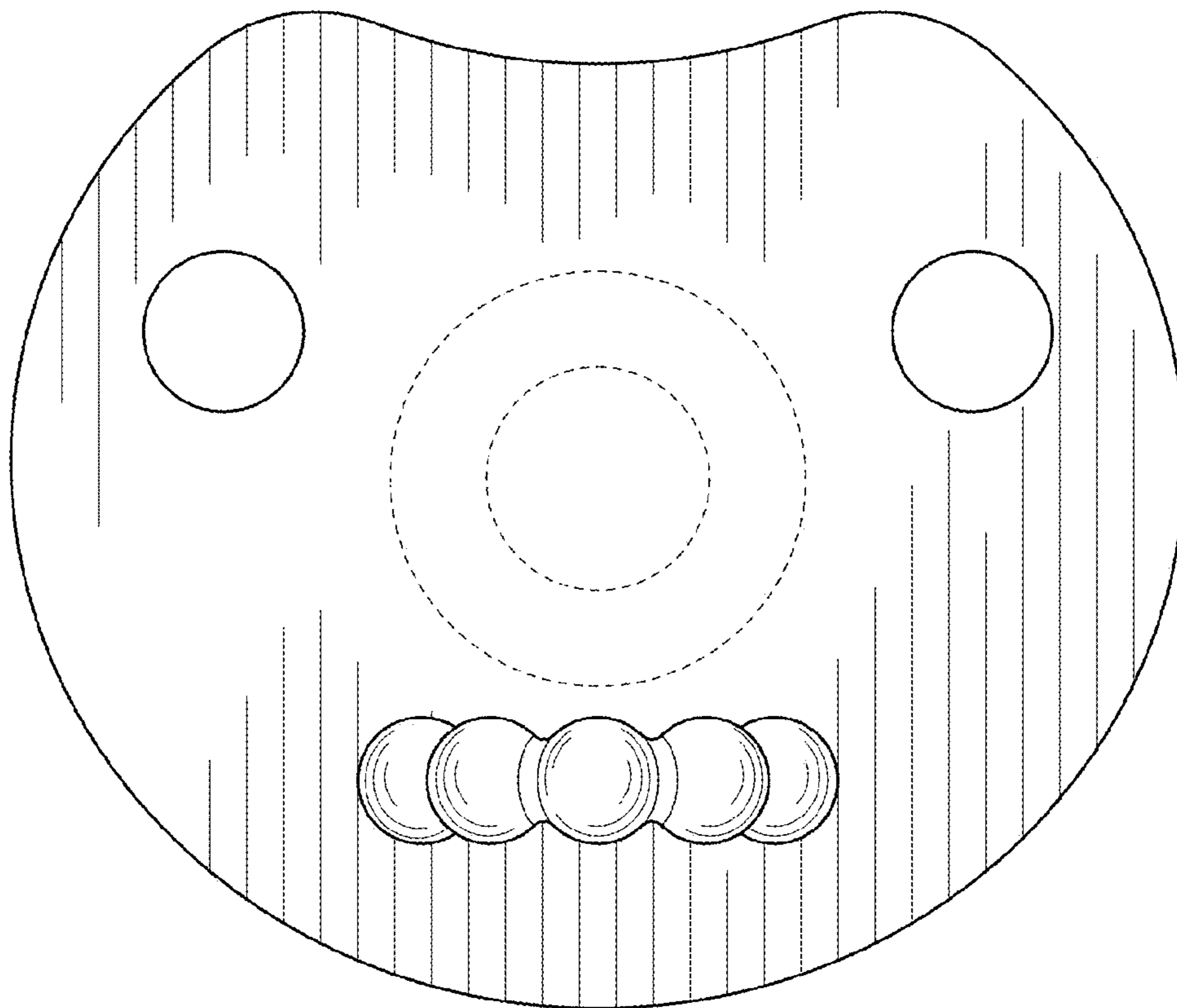


FIG. 4

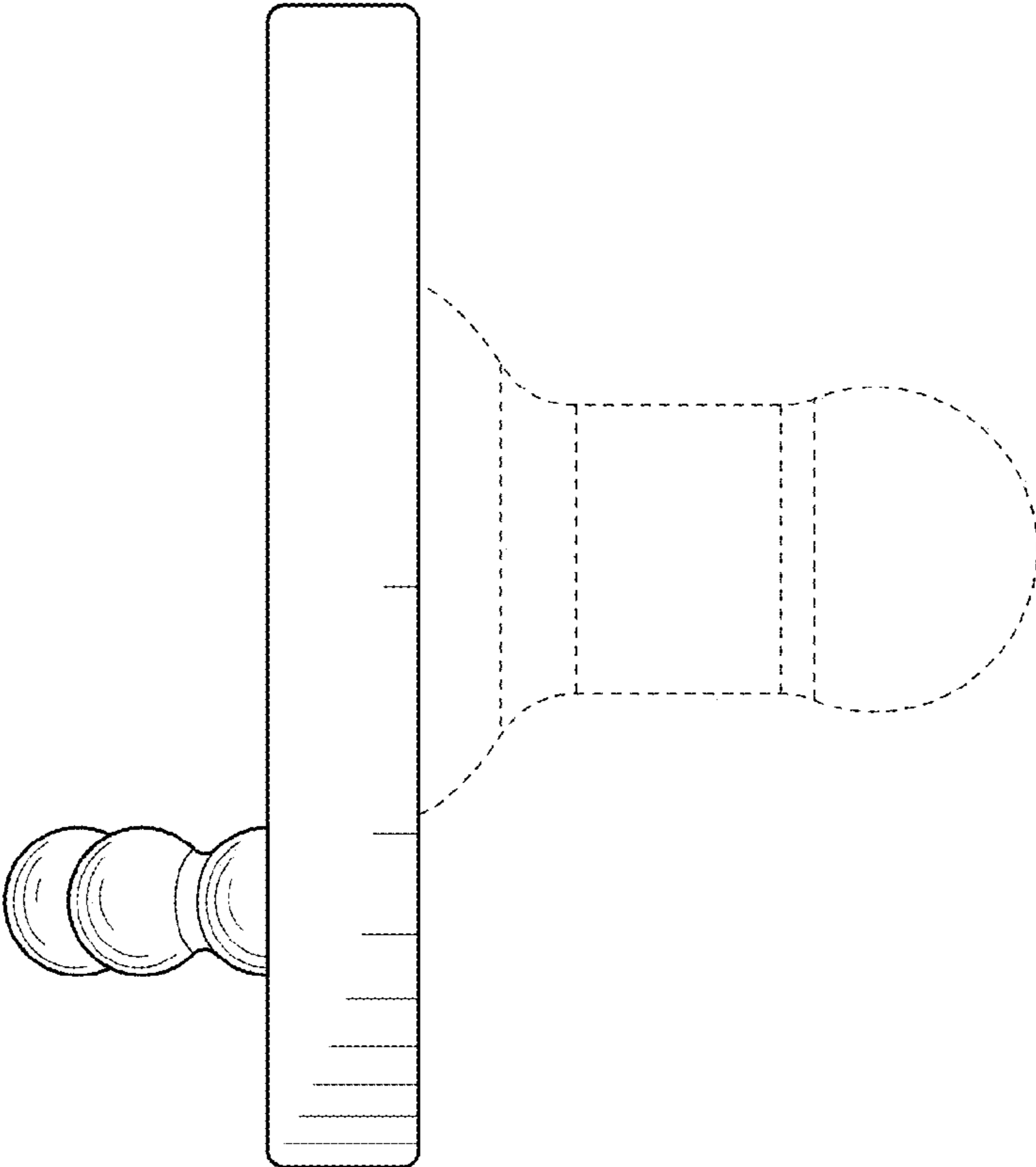


FIG. 5

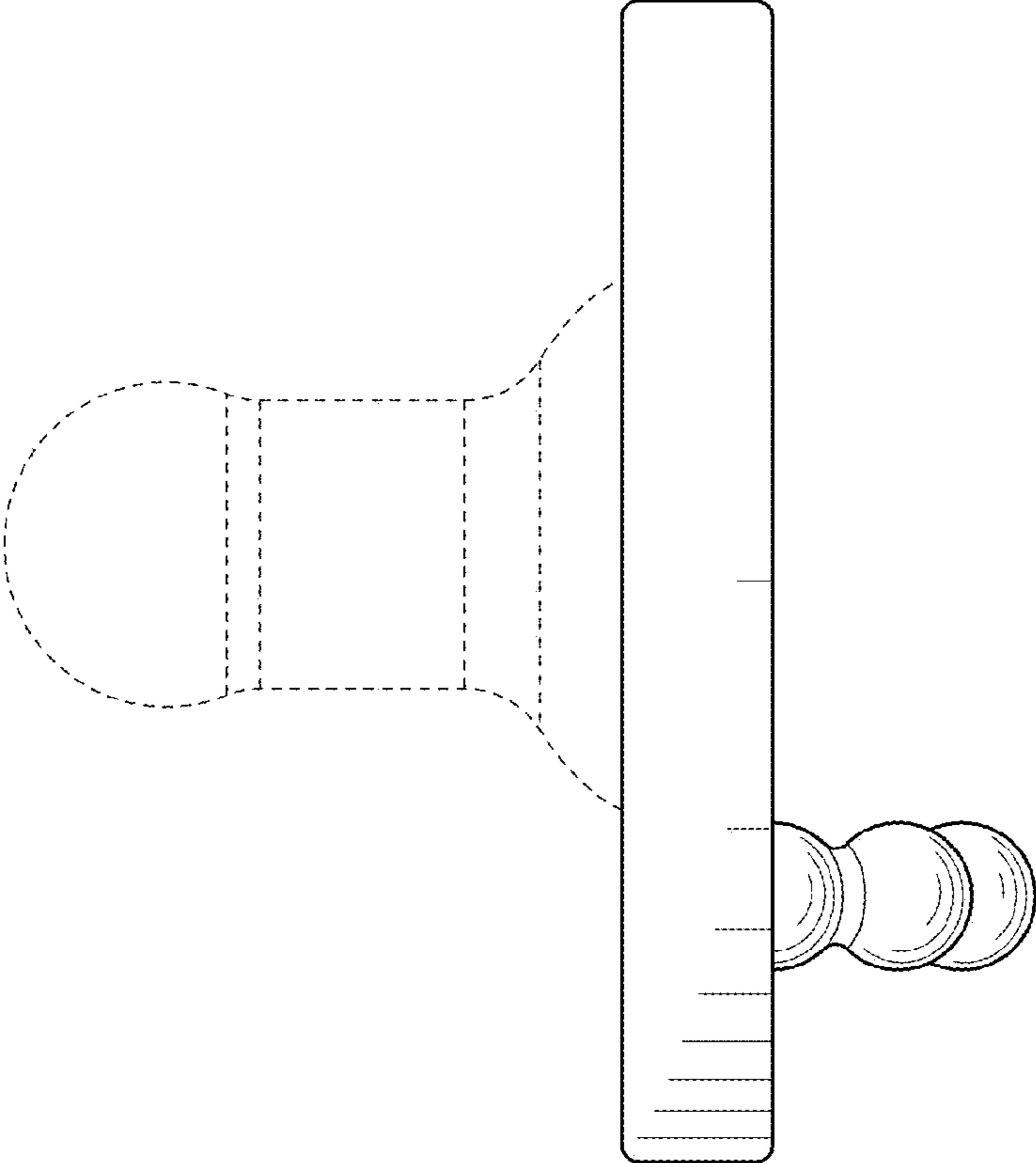


FIG. 6

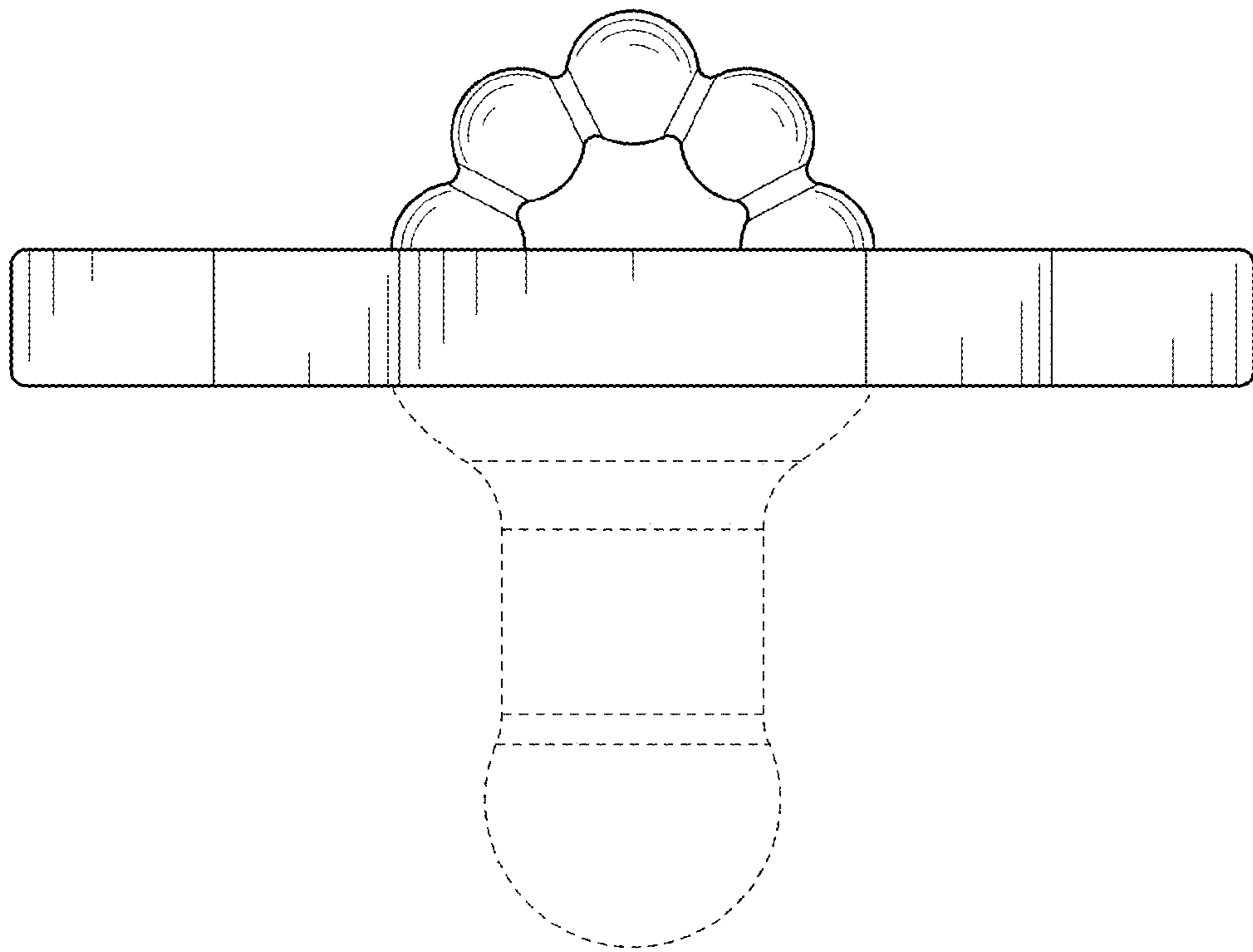


FIG. 7

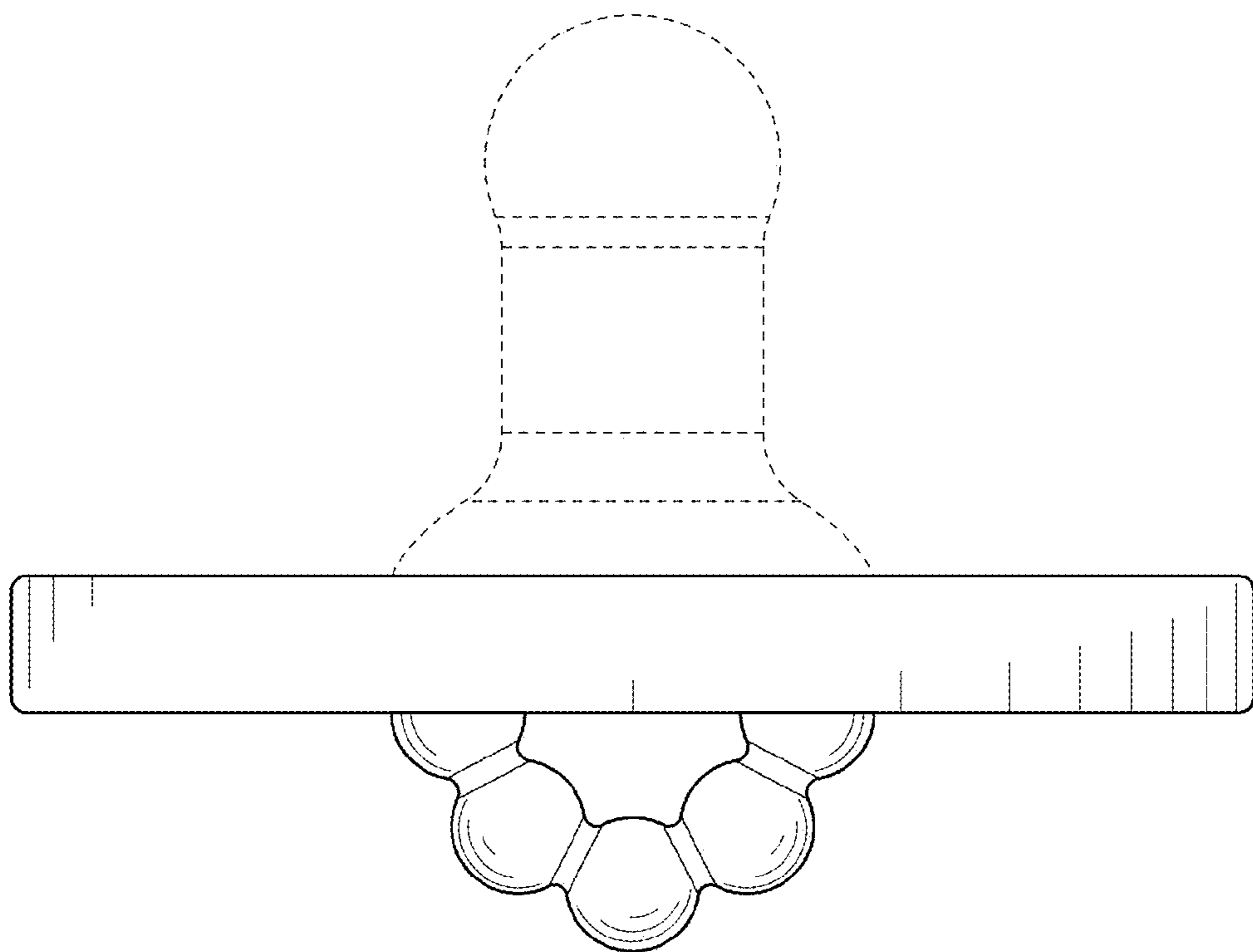


FIG. 8

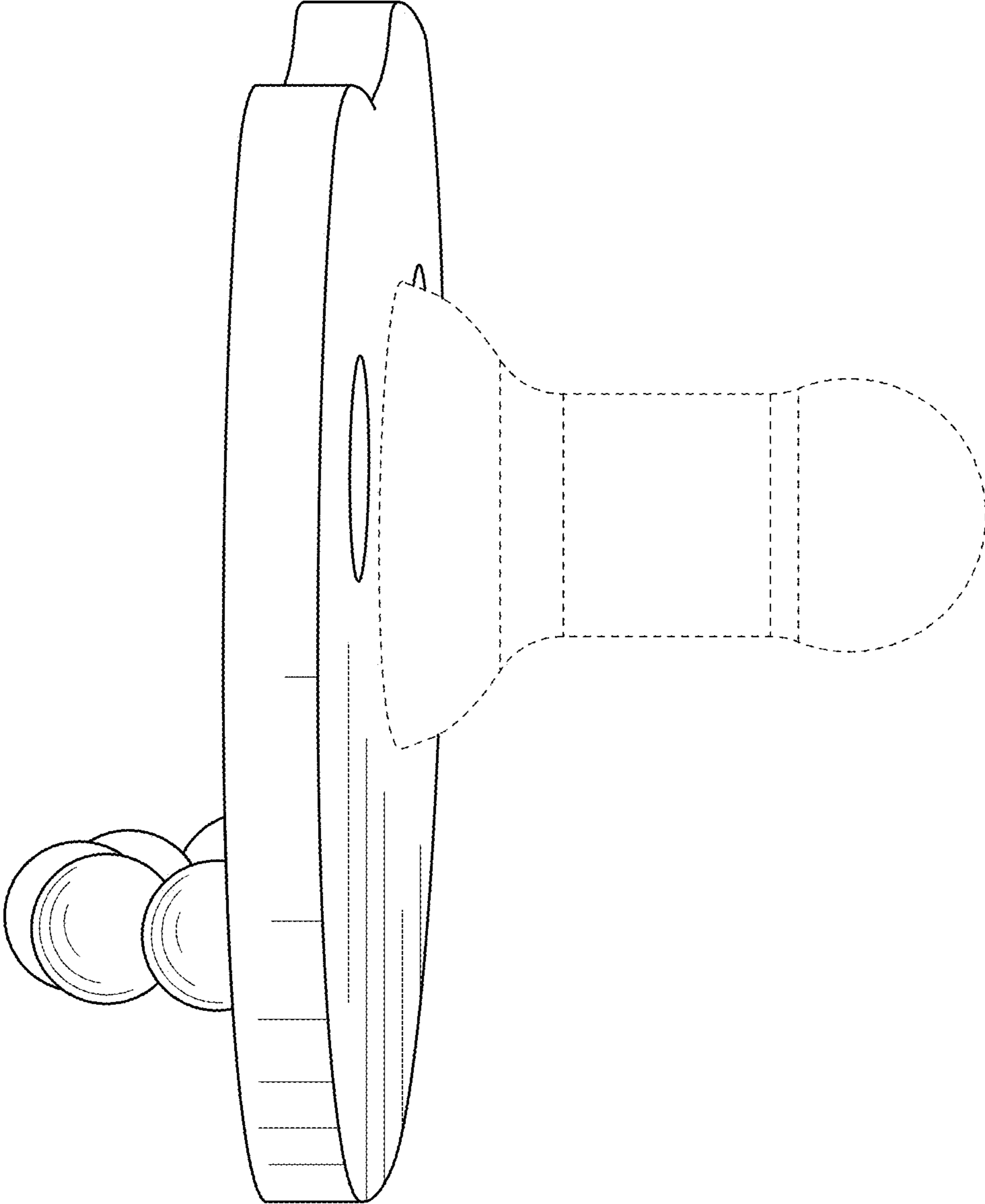


FIG. 9



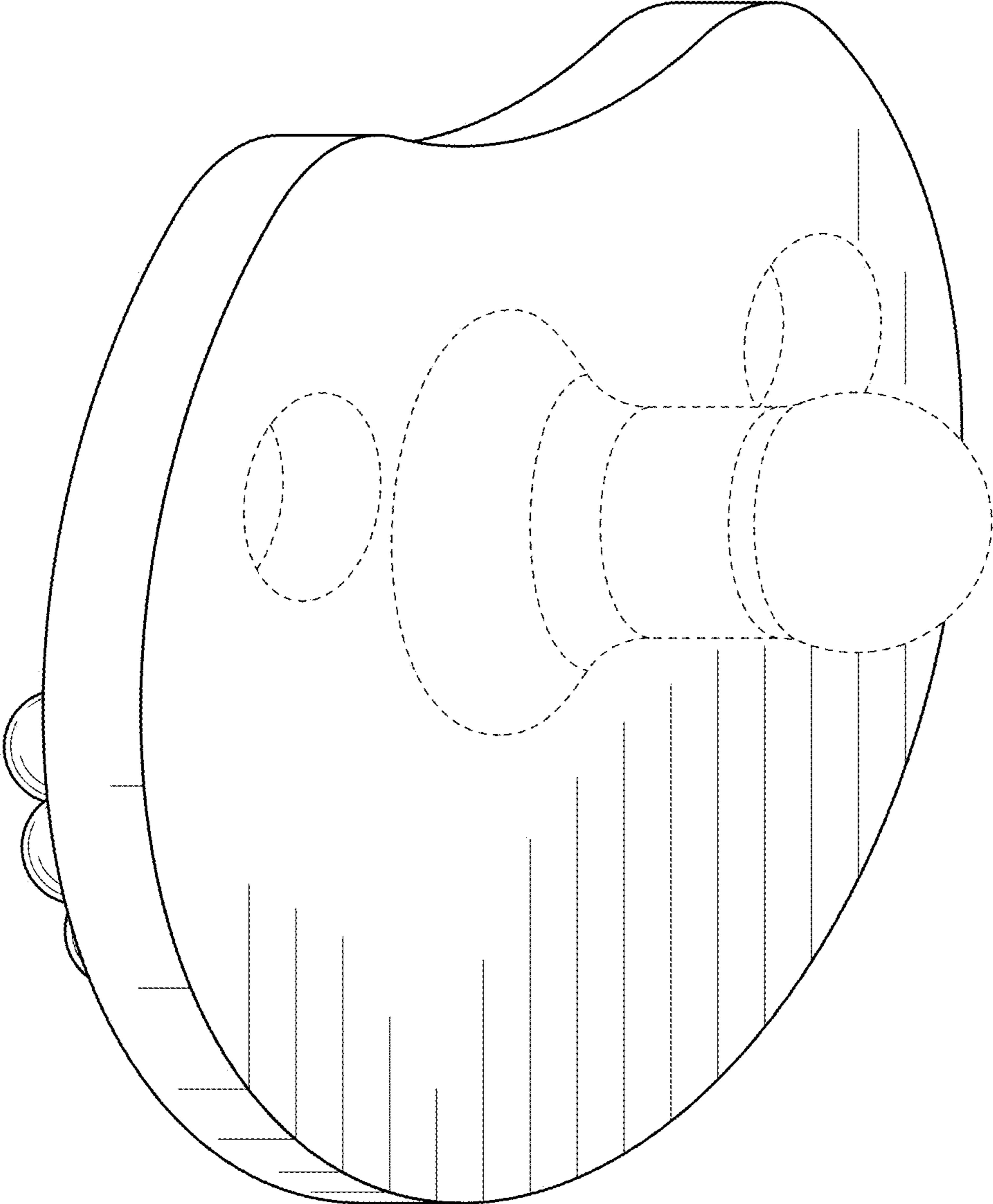


FIG. 10

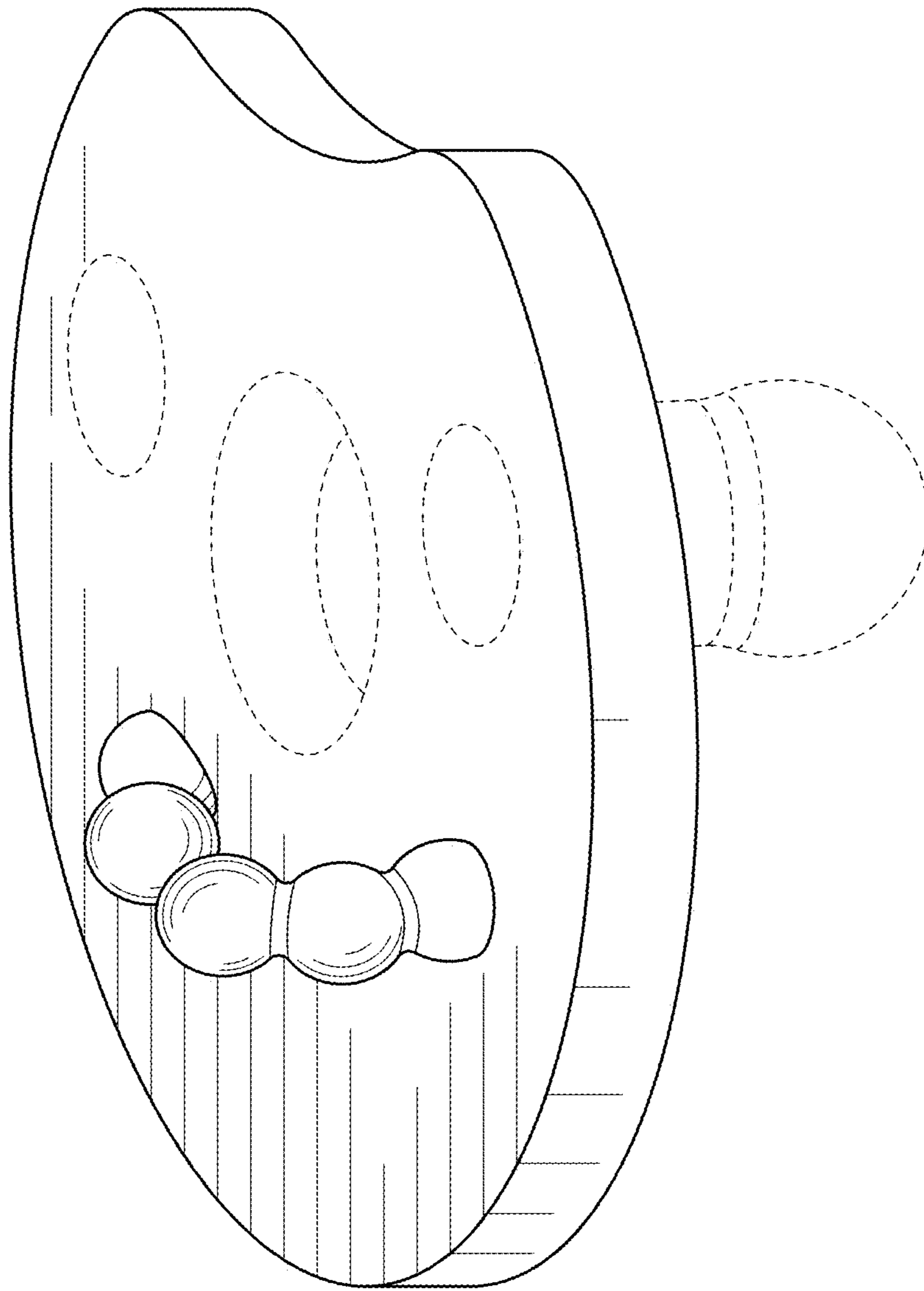


FIG. 11

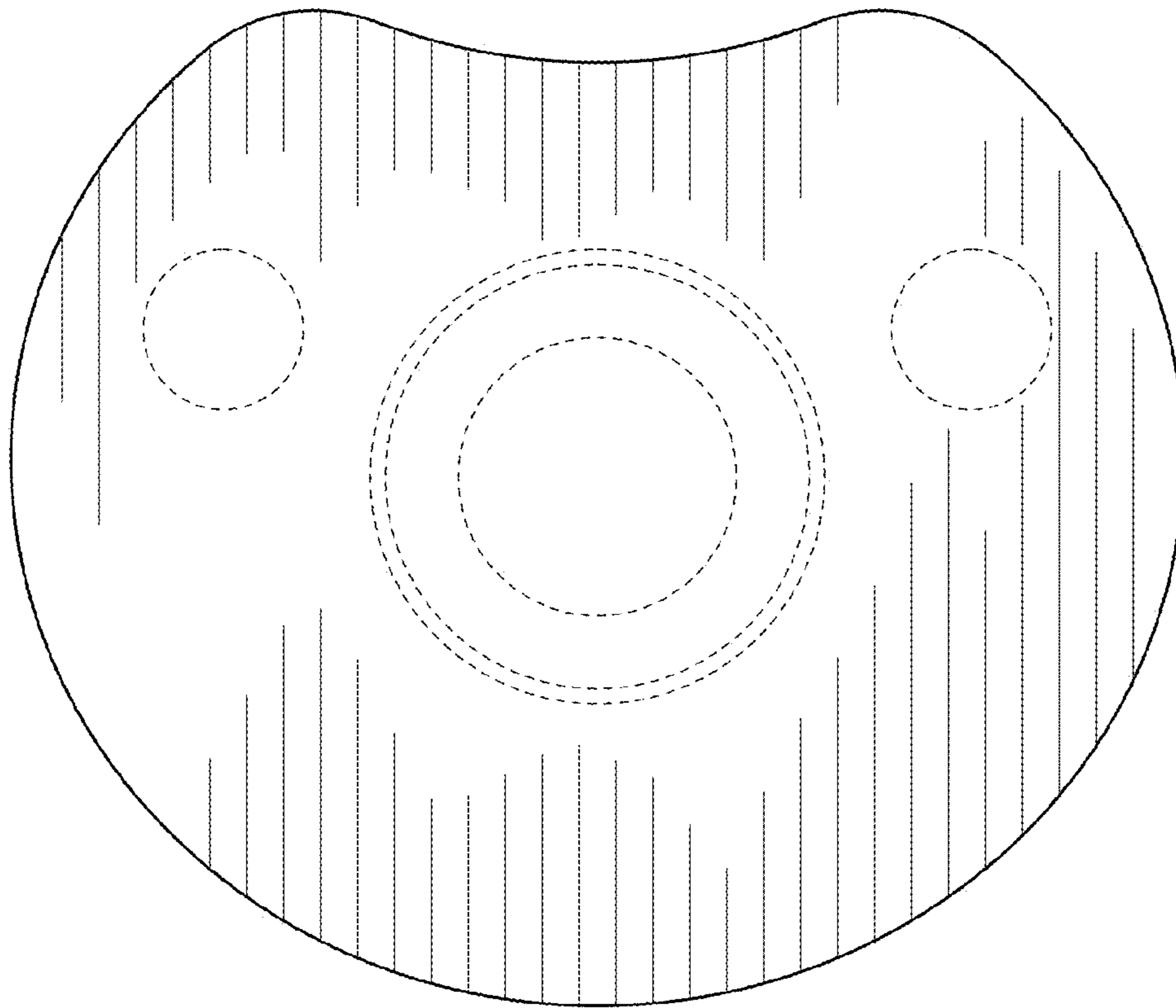


FIG. 12

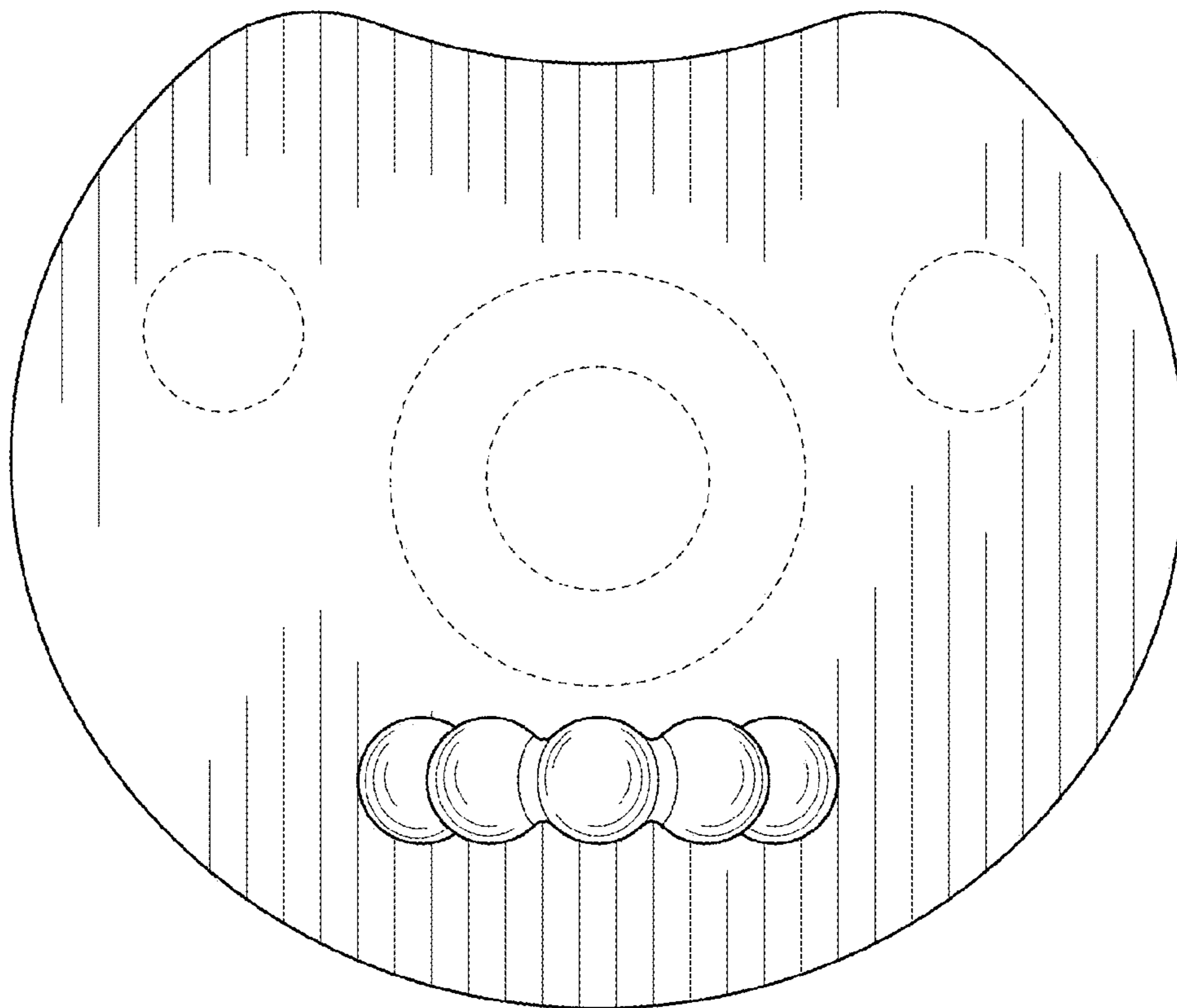


FIG. 13

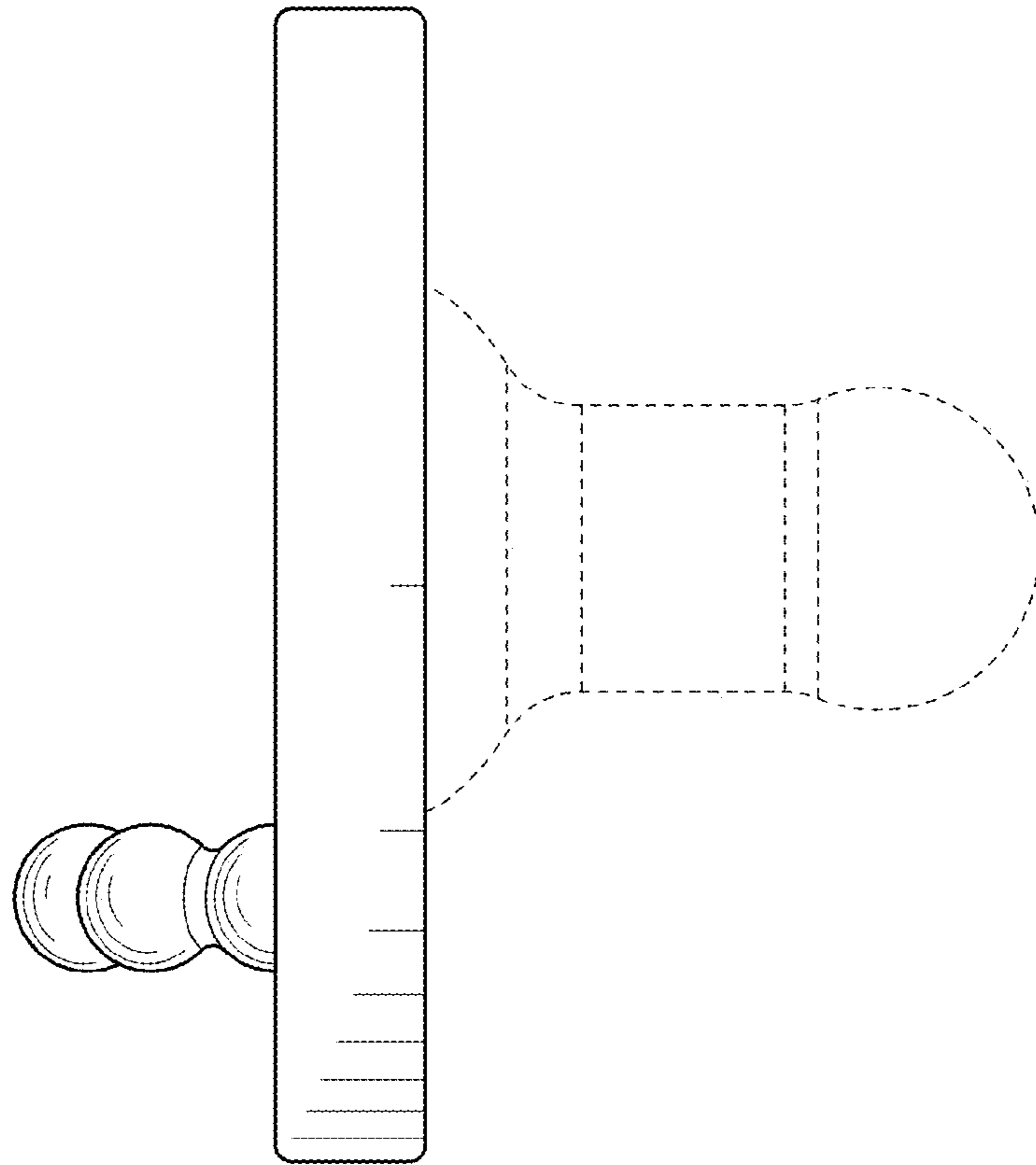


FIG. 14

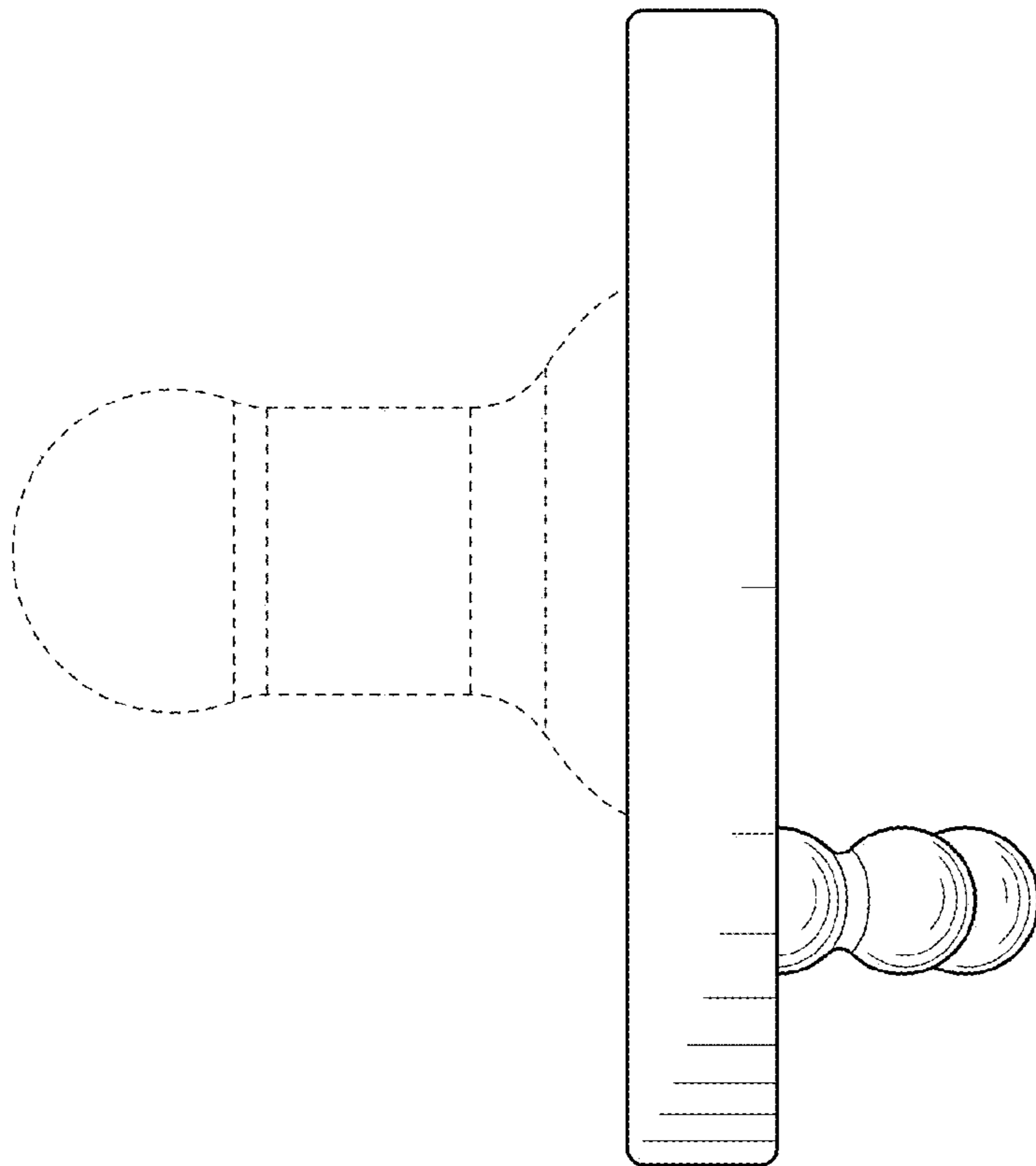


FIG. 15

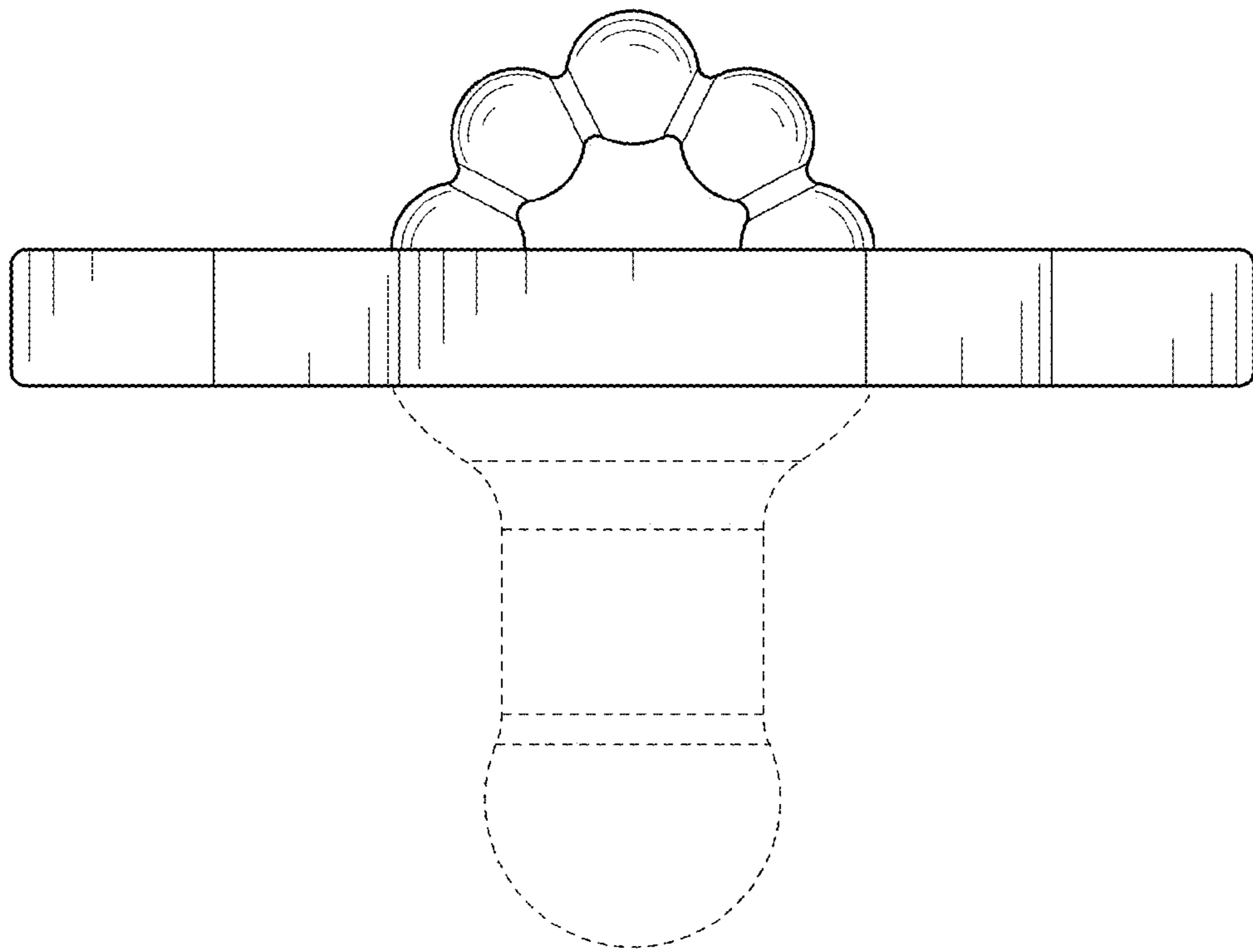


FIG. 16

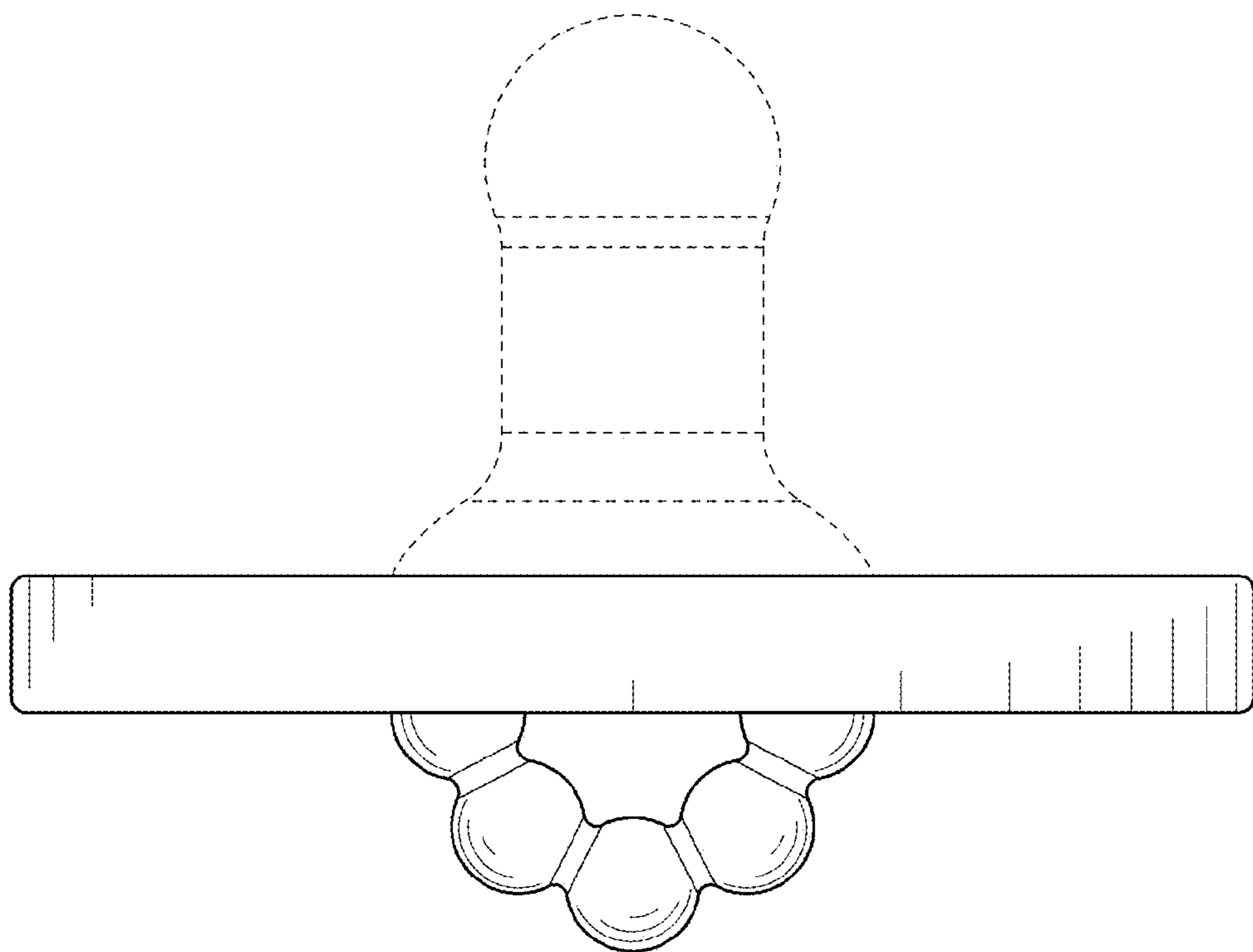


FIG. 17

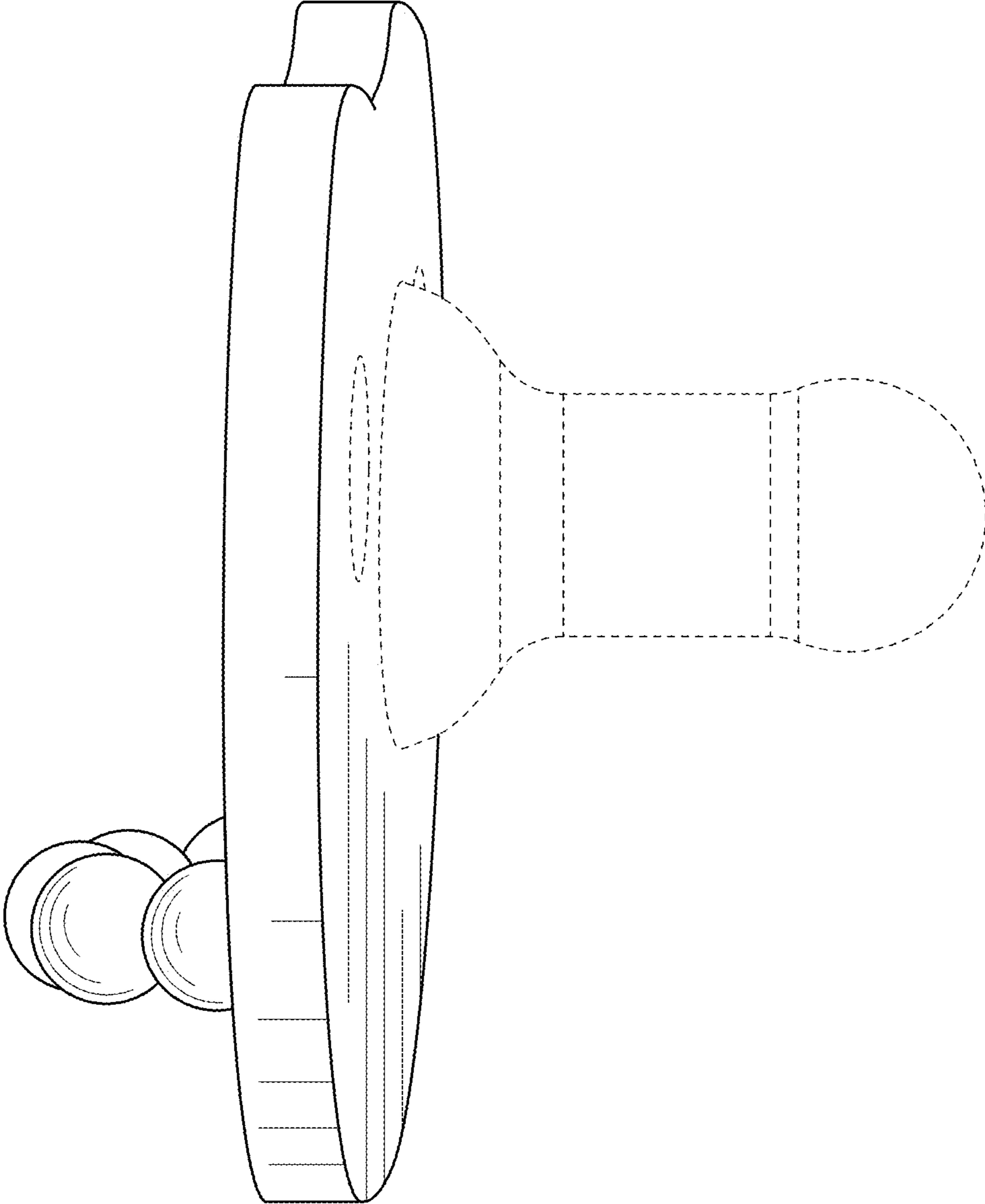


FIG. 18