



US0D1012292S

(12) **United States Design Patent**
Armstrong et al.

(10) **Patent No.:** **US D1,012,292 S**

(45) **Date of Patent:** **** Jan. 23, 2024**

(54) **HEALTH MONITOR**

(71) Applicant: **CURRENT HEALTH LIMITED,**
Edinburgh (GB)

(72) Inventors: **Danielle Armstrong,** Edinburgh (GB);
Iain Macdonald Taylor, Edinburgh
(GB); **Stephen John Johnston,**
Edinburgh (GB)

(73) Assignee: **CURRENT HEALTH LIMITED,**
Edinburgh (GB)

(**) Term: **15 Years**

(21) Appl. No.: **29/787,165**

(22) Filed: **Jun. 4, 2021**

(51) **LOC (14) Cl.** **24-02**

(52) **U.S. Cl.**
USPC **D24/186**

(58) **Field of Classification Search**
USPC D24/164, 165, 167, 168, 169, 186, 187,
D24/107; D10/70; D14/344
CPC A61B 5/0205; A61B 5/02405; A61B
5/02427; A61B 5/02438; A61B 5/0245;
A61B 5/254; A61B 5/257; A61B 5/26;
A61B 5/271; A61B 5/28; A61B 5/282;
A61B 5/308; A61B 5/318; A61B 5/332;
A61B 5/0022; A61B 5/02055; A61B
5/6898; A61B 5/1112; A61B 5/1117;
A61B 5/1118; A61B 5/14532; A61B
5/6824; A61B 5/6829; A61B 5/6831
See application file for complete search history.

(56) **References Cited**

U.S. PATENT DOCUMENTS

D718,866 S * 12/2014 Law D24/167
D768,623 S * 10/2016 Zou D24/167
D780,316 S * 2/2017 Pukall D24/186
D781,852 S * 3/2017 Yu D14/344

D794,206 S * 8/2017 Cohrs D24/186
D827,831 S * 9/2018 Fong D24/186
D838,853 S * 1/2019 Lumme D24/167
D901,692 S * 11/2020 Rihu D24/167
D934,430 S * 10/2021 Jariwala D24/186
D937,418 S * 11/2021 Byler D24/167
D939,365 S * 12/2021 Nothacker D24/186
D954,959 S * 6/2022 Rizzo D24/169

(Continued)

Primary Examiner — T Chase Nelson

Assistant Examiner — Kelly L Gross

(74) *Attorney, Agent, or Firm* — Nixon & Vanderhye P.C.

(57) **CLAIM**

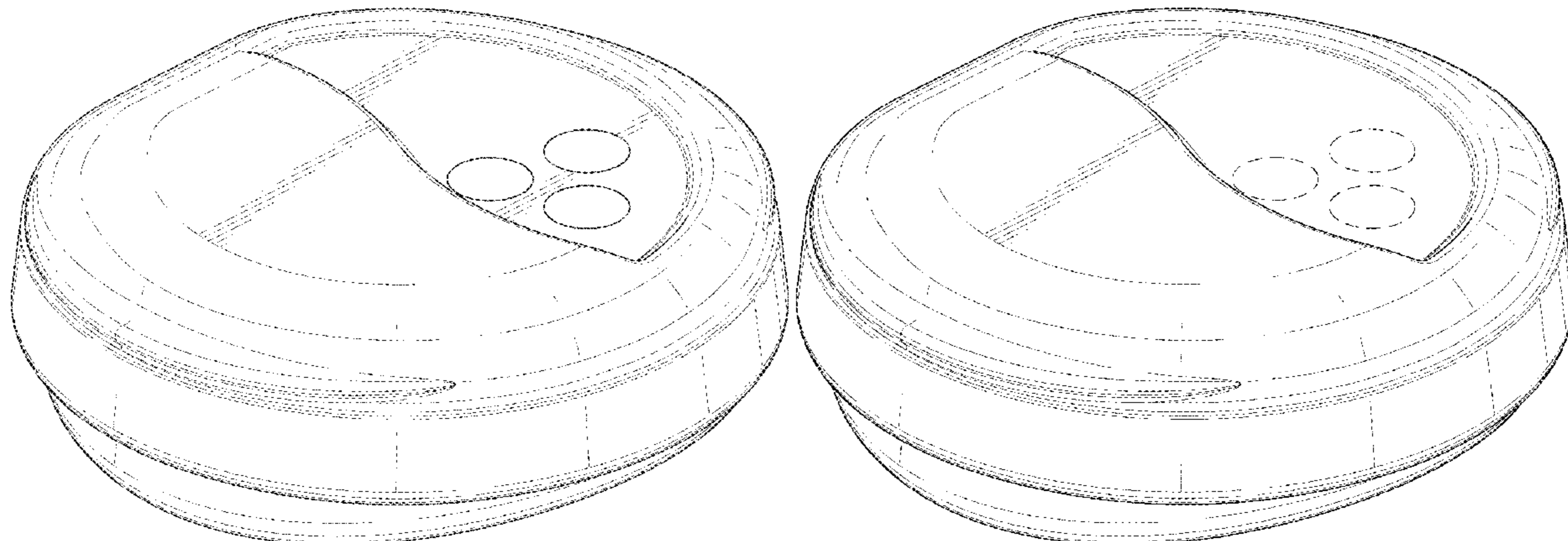
The ornamental design for a health monitor, as shown and described.

DESCRIPTION

FIG. 1 is a perspective view of a first embodiment of a health monitor from above and left side;
FIG. 2 is a perspective view from below and right side thereof;
FIG. 3 is a top view thereof;
FIG. 4 is a bottom view thereof;
FIG. 5 is a right side view thereof;
FIG. 6 is a left side view thereof;
FIG. 7 is a front view thereof;
FIG. 8 is a rear view thereof;
FIG. 9 is a perspective view of a second embodiment of a health monitor from above and left side;
FIG. 10 is a perspective view from below and right side thereof;
FIG. 11 is a top view thereof;
FIG. 12 is a bottom view thereof;
FIG. 13 is a right side view thereof;
FIG. 14 is a left side view thereof;
FIG. 15 is a front view thereof; and,
FIG. 16 is a rear view thereof.

Dashed or broken lines form no part of the claimed design.

1 Claim, 12 Drawing Sheets



(56)

References Cited

U.S. PATENT DOCUMENTS

D962,929 S * 9/2022 He D10/70
D970,017 S * 11/2022 Knoedler D24/186
D973,885 S * 12/2022 Levine D24/186
D975,045 S * 1/2023 Xu D24/186
D976,416 S * 1/2023 Baumer D24/186
D977,115 S * 1/2023 Nicolae D24/186
D978,691 S * 2/2023 Nothacker D10/70
D980,431 S * 3/2023 Narayanan D24/186
D982,759 S * 4/2023 Qian A61B 5/7203
D24/167
D984,650 S * 4/2023 Dixit D24/187
D986,421 S * 5/2023 Lynch D24/186
D990,676 S * 6/2023 Takahashi D24/186
D991,063 S * 7/2023 Bosua D24/186
D991,462 S * 7/2023 Tasker D24/187
D994,123 S * 8/2023 Lam D24/167
D994,887 S * 8/2023 Lam D24/167
2022/0265214 A1 * 8/2022 Jariwala A61B 5/28

* cited by examiner

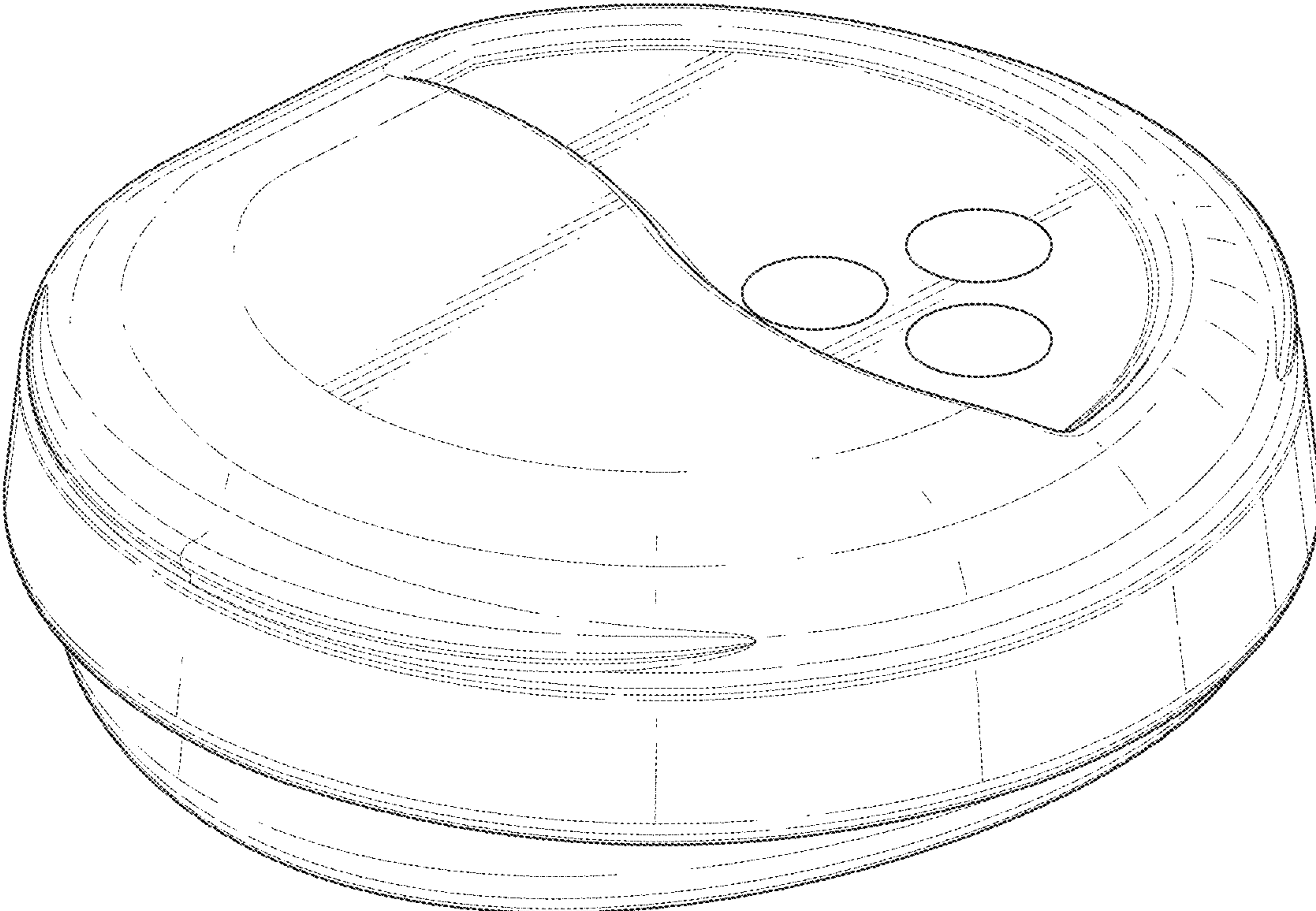


FIG. 1

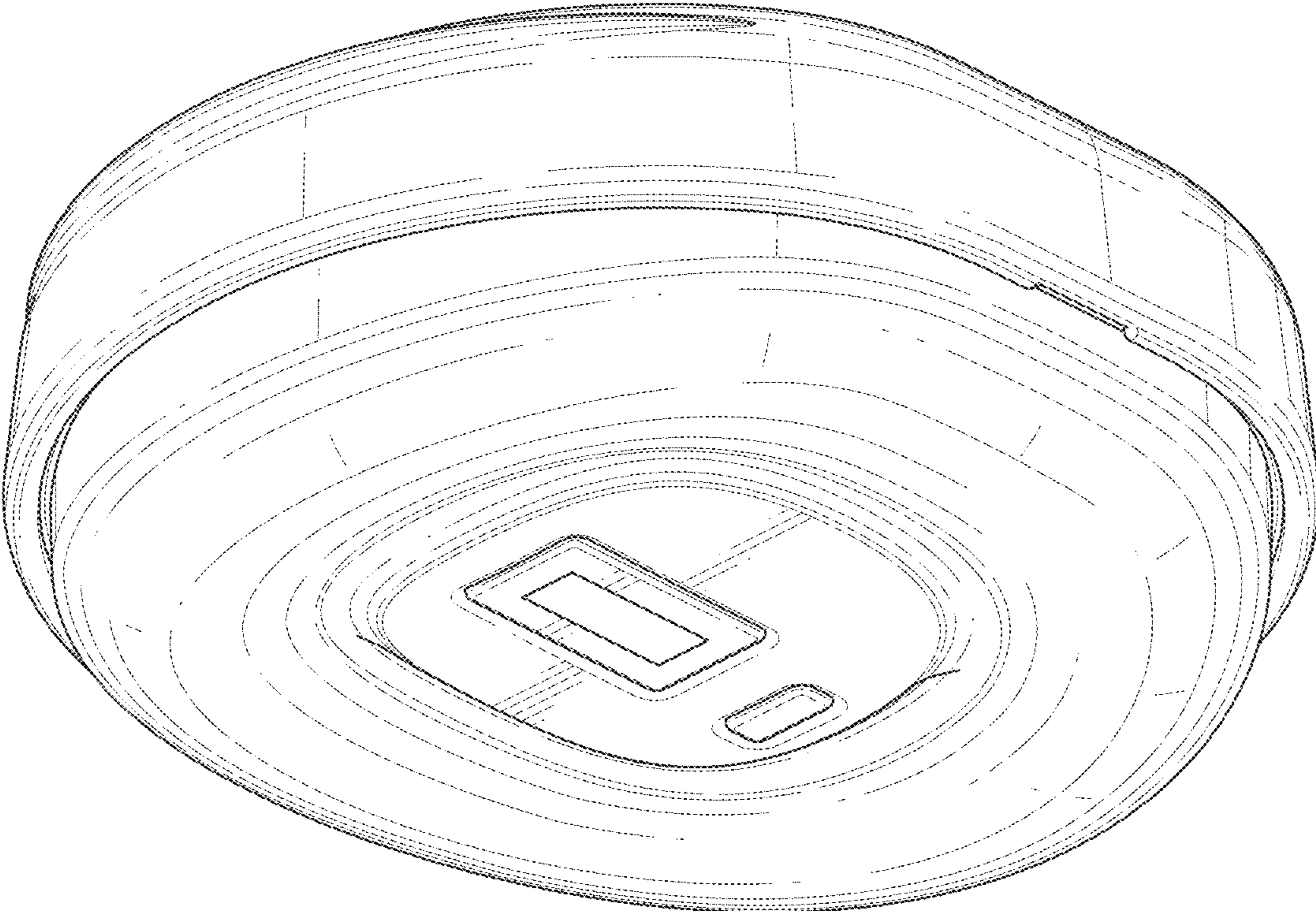


FIG. 2

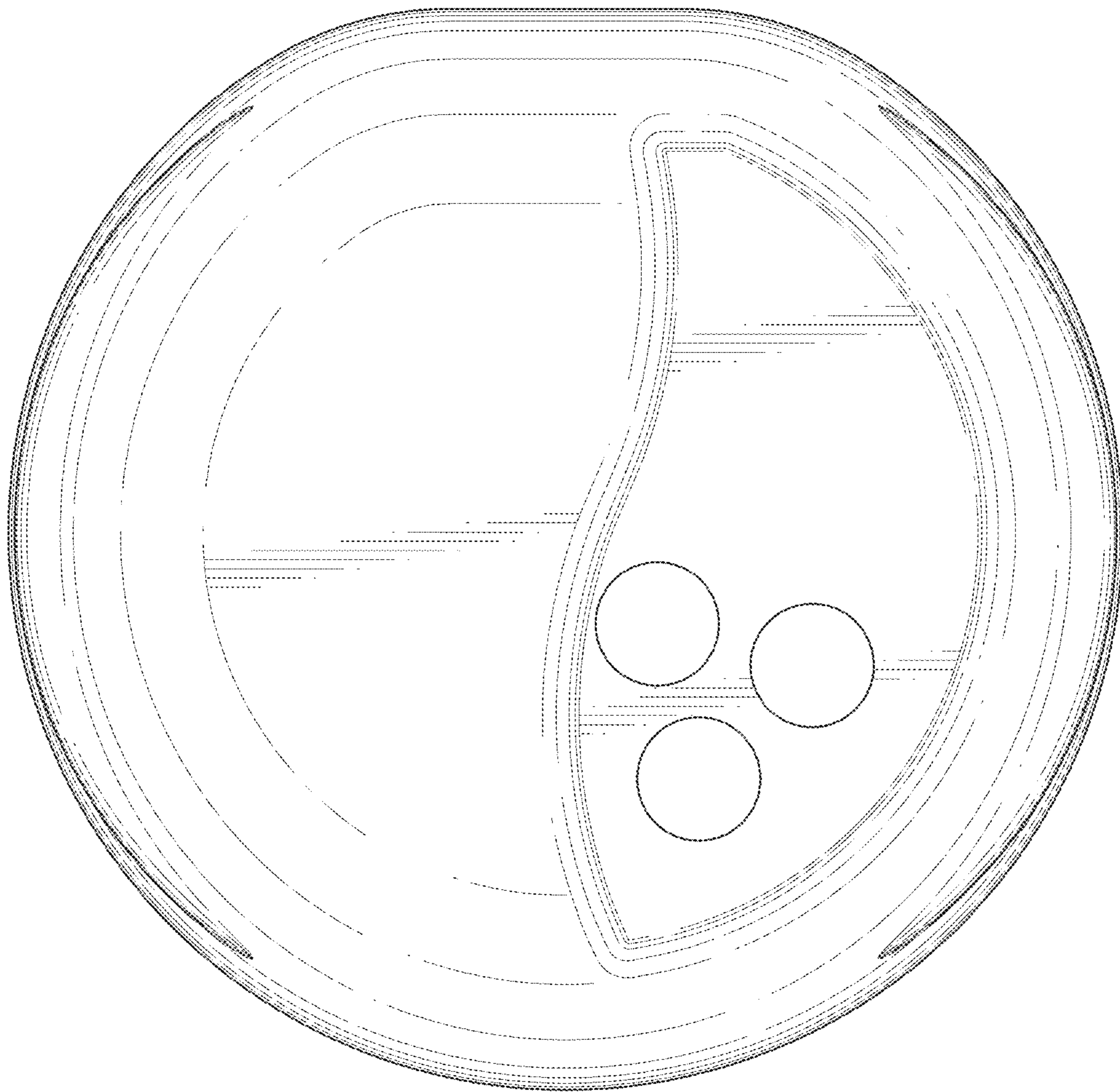


FIG. 3

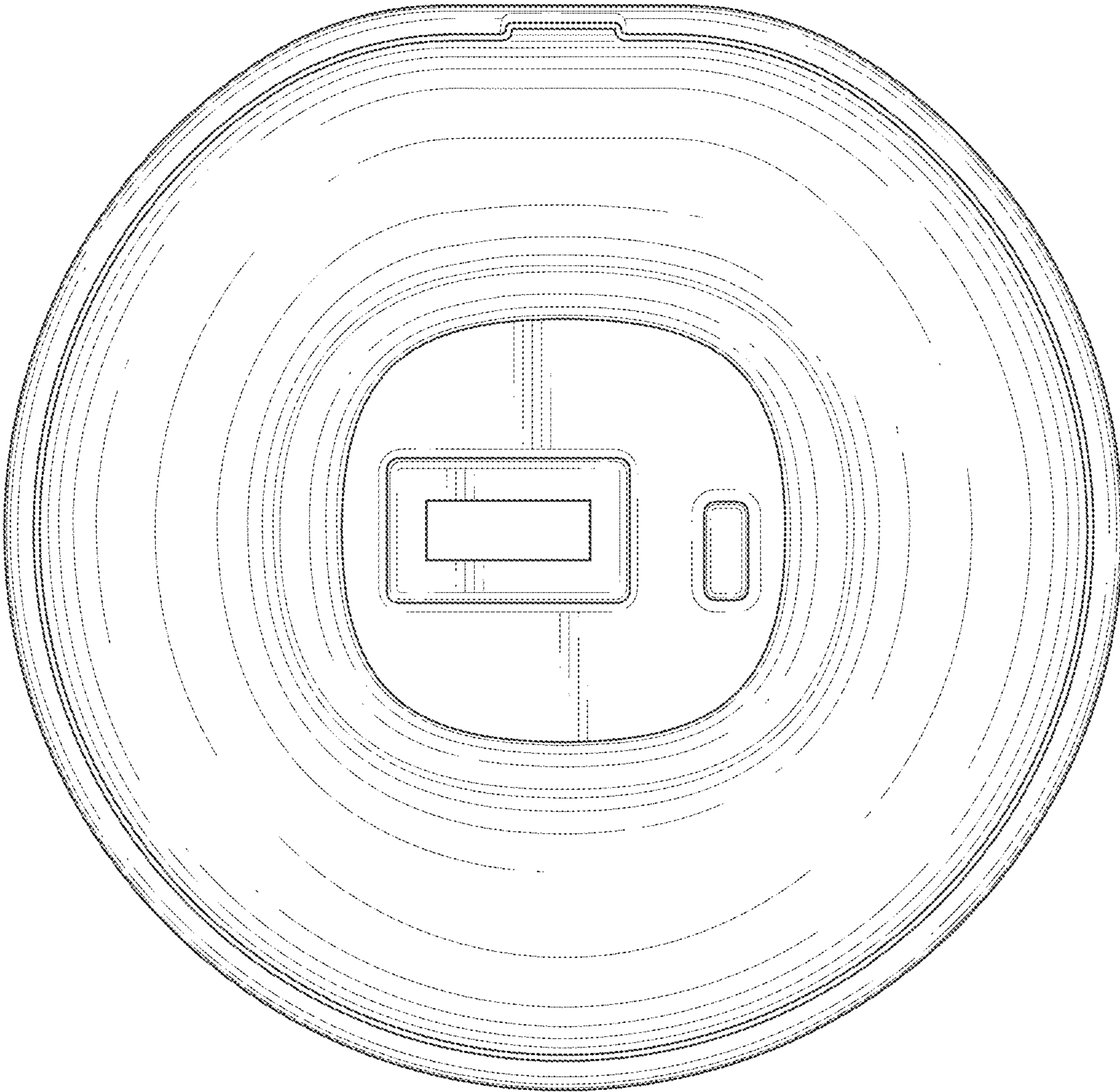


FIG. 4

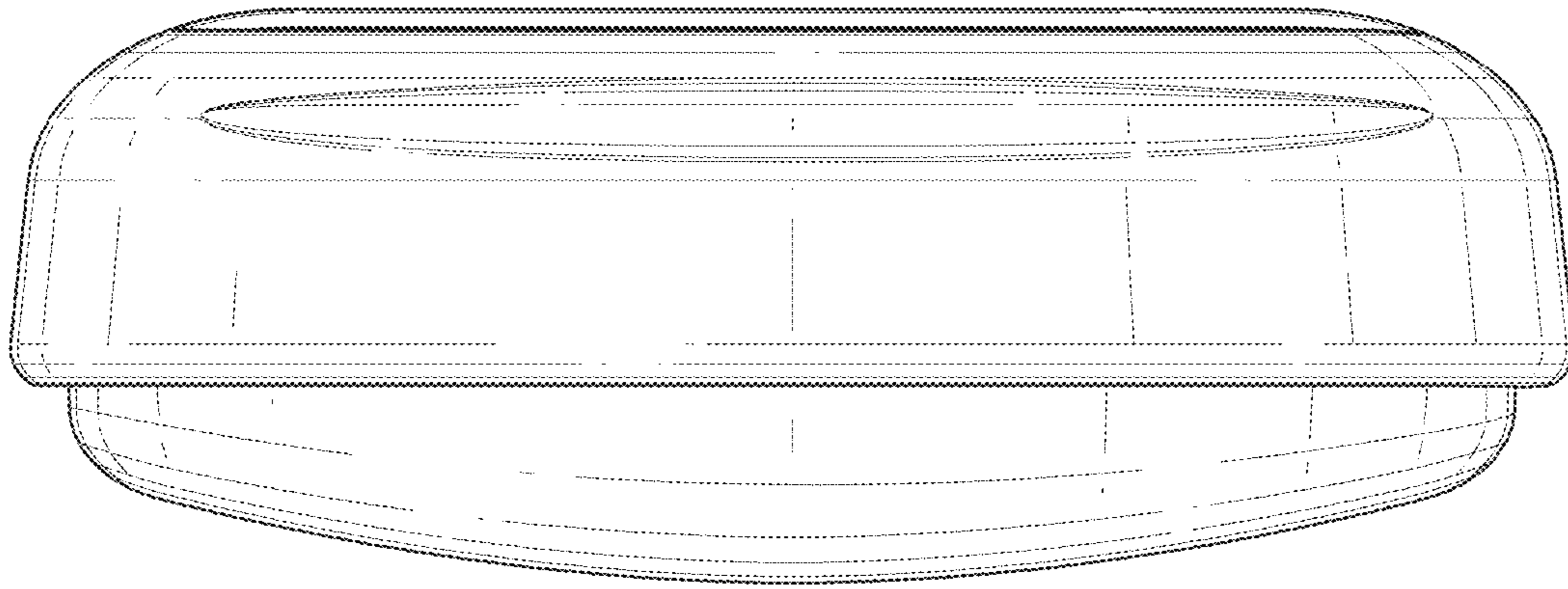


FIG. 5

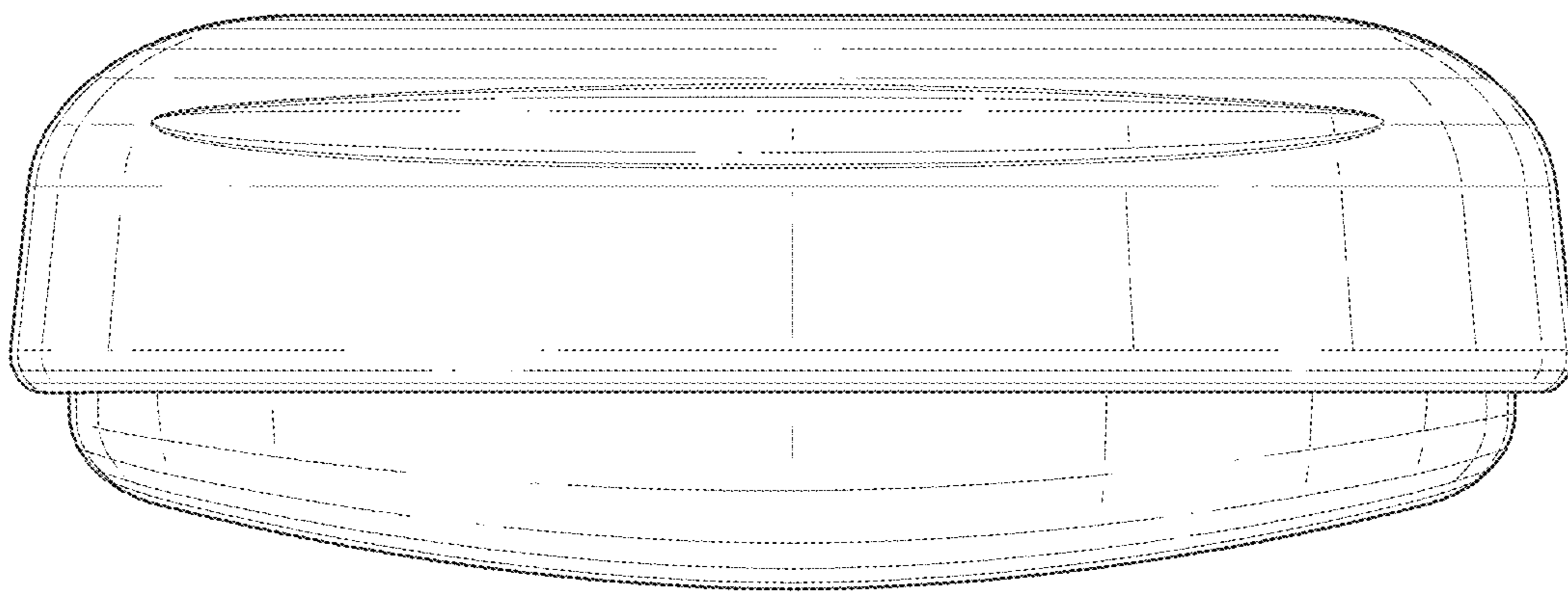


FIG. 6

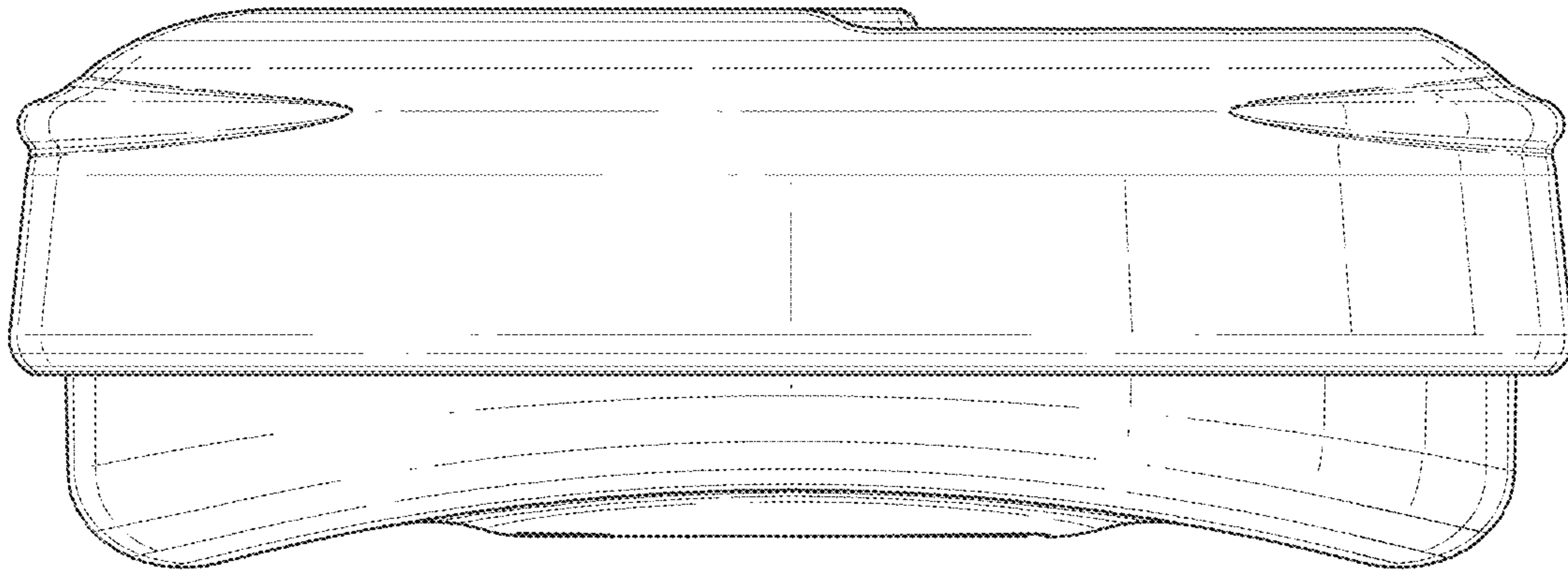


FIG. 7

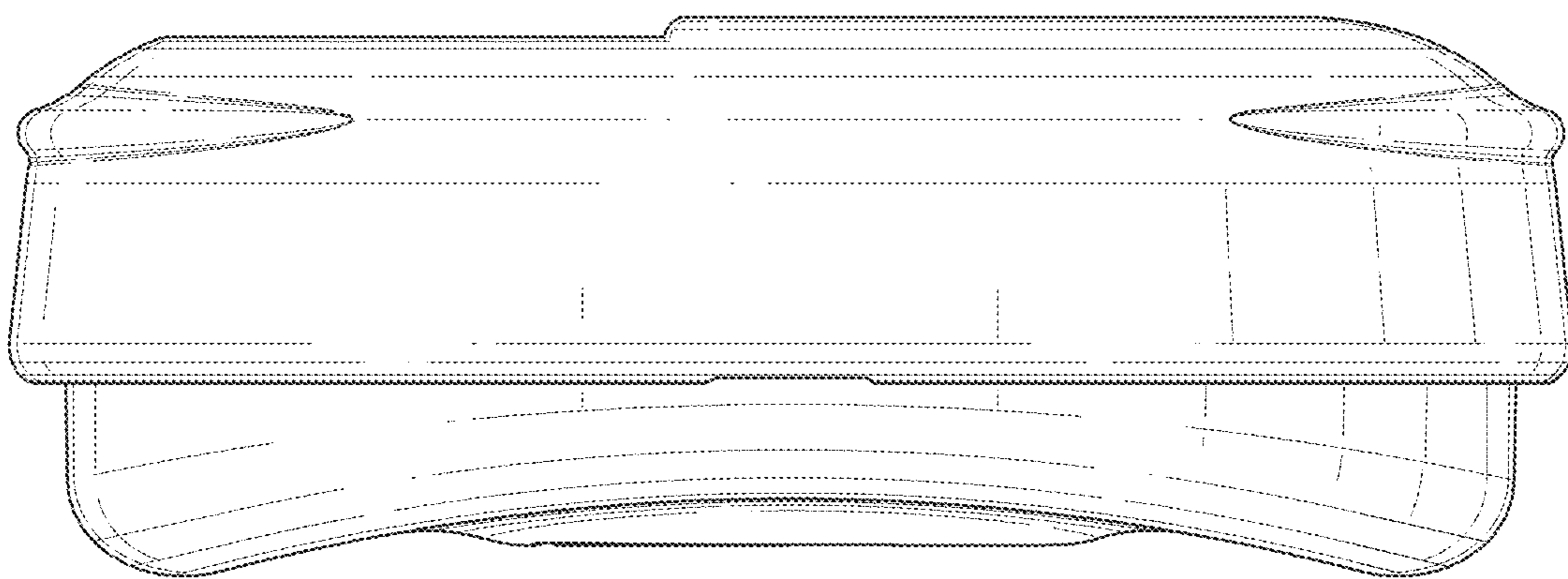


FIG. 8

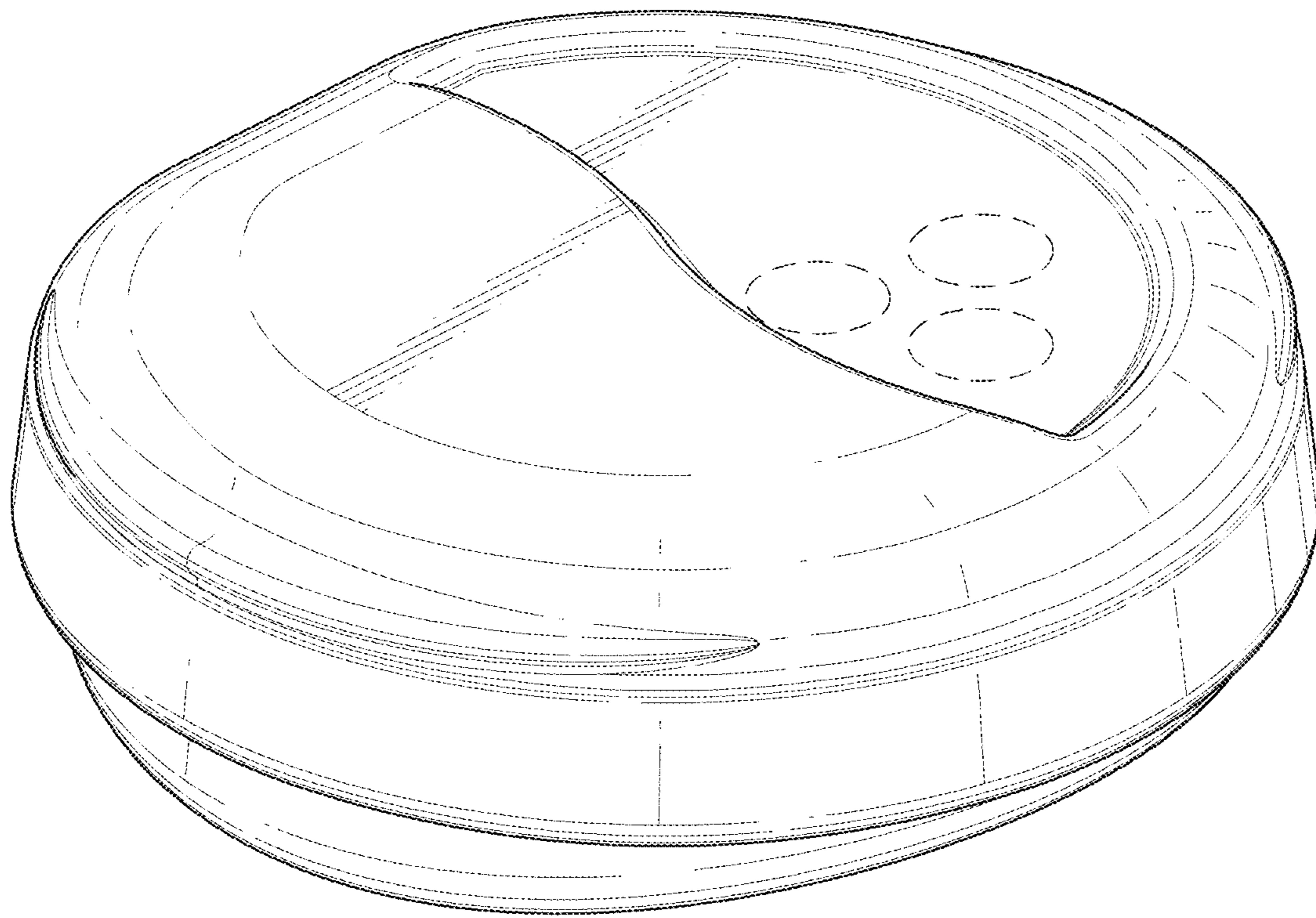


FIG. 9

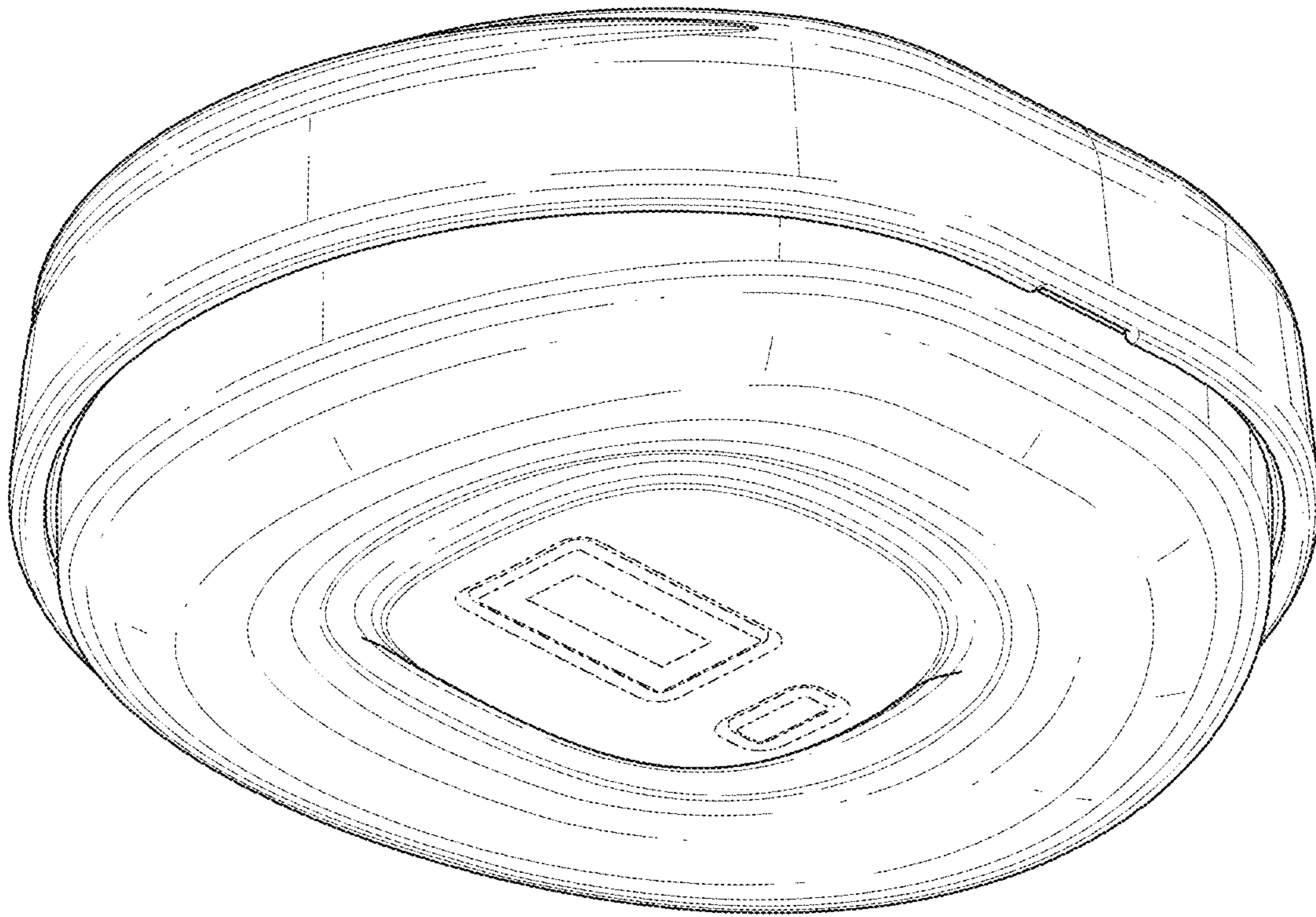


FIG. 10

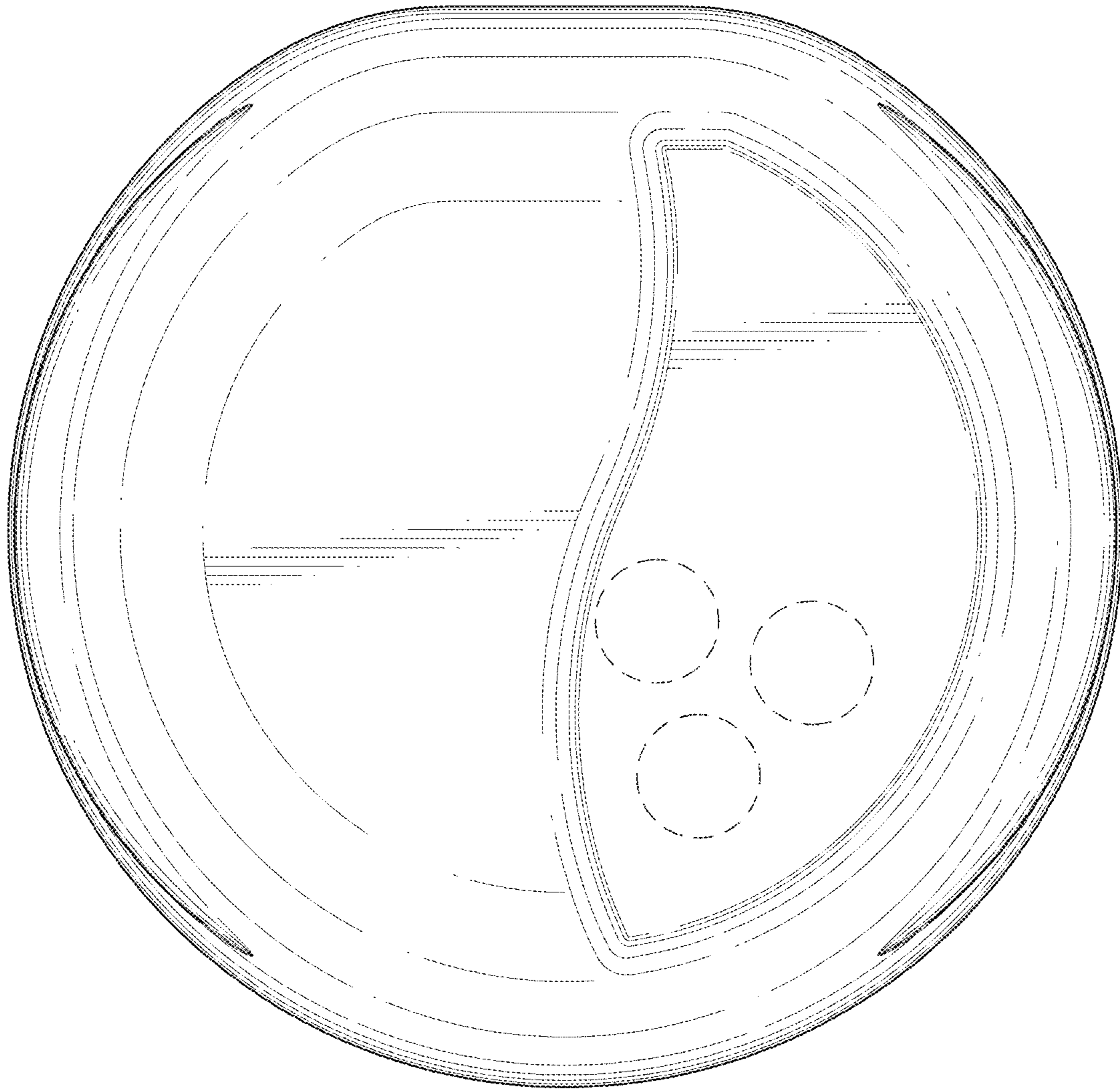


FIG. 11

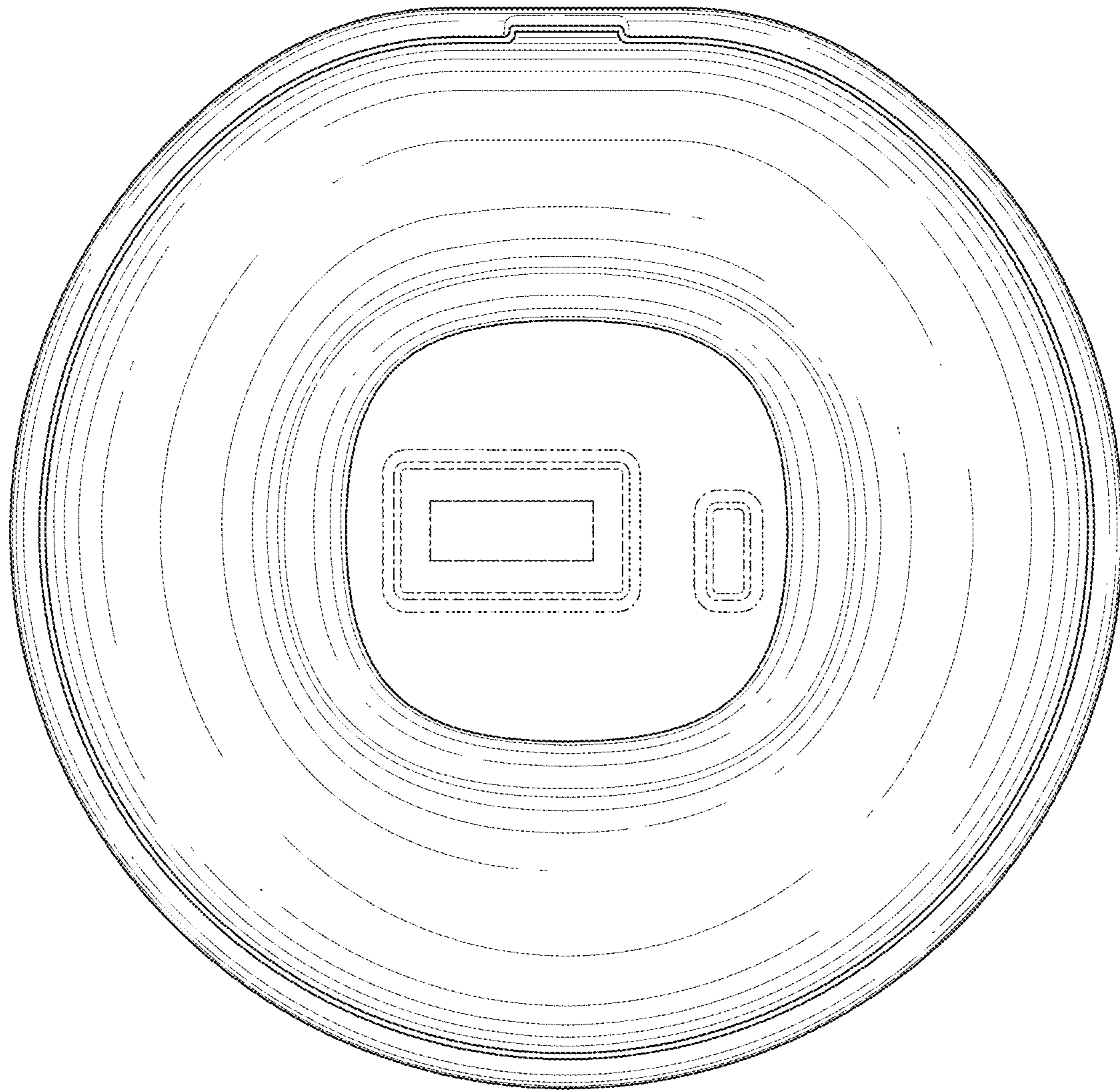


FIG. 12

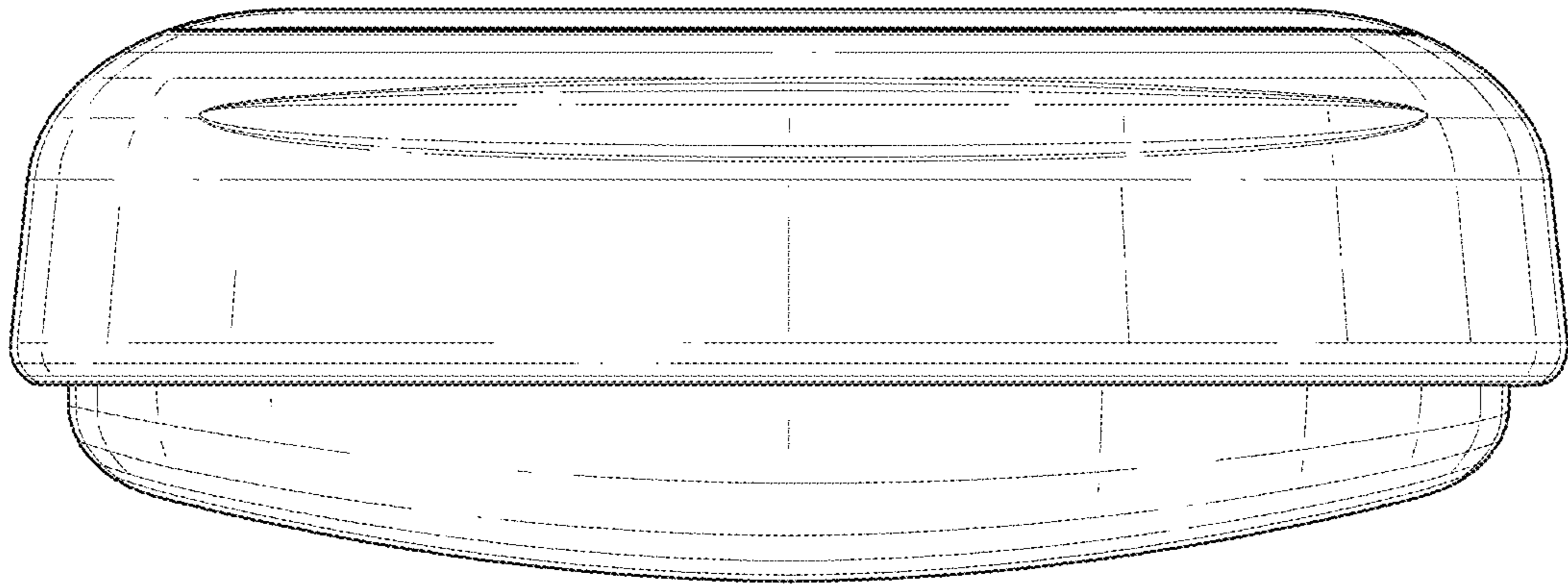


FIG. 13

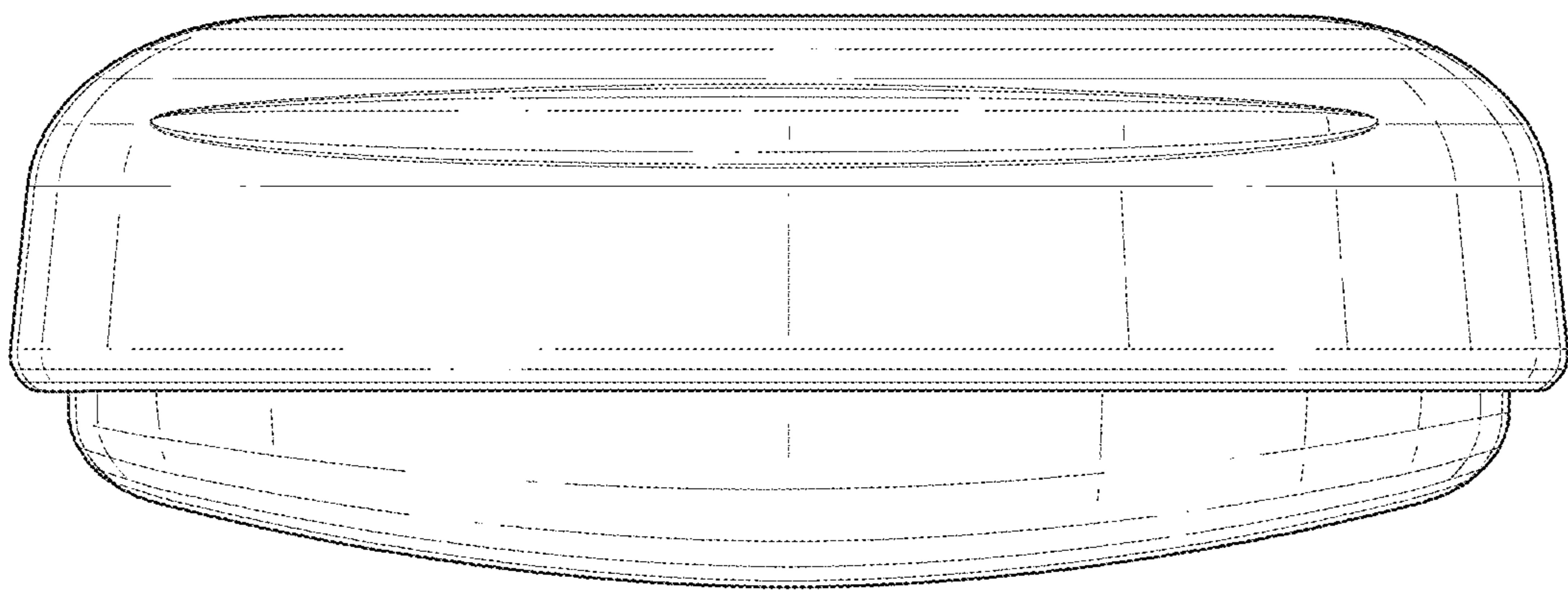


FIG. 14

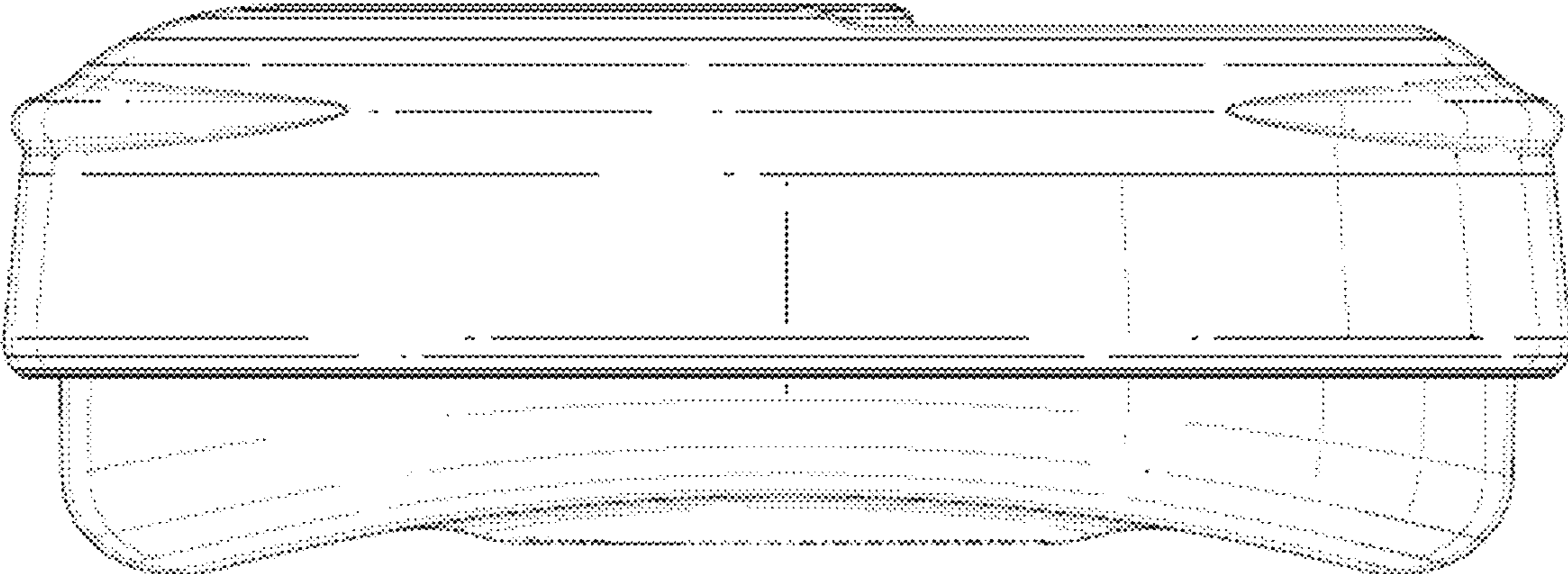


FIG. 15

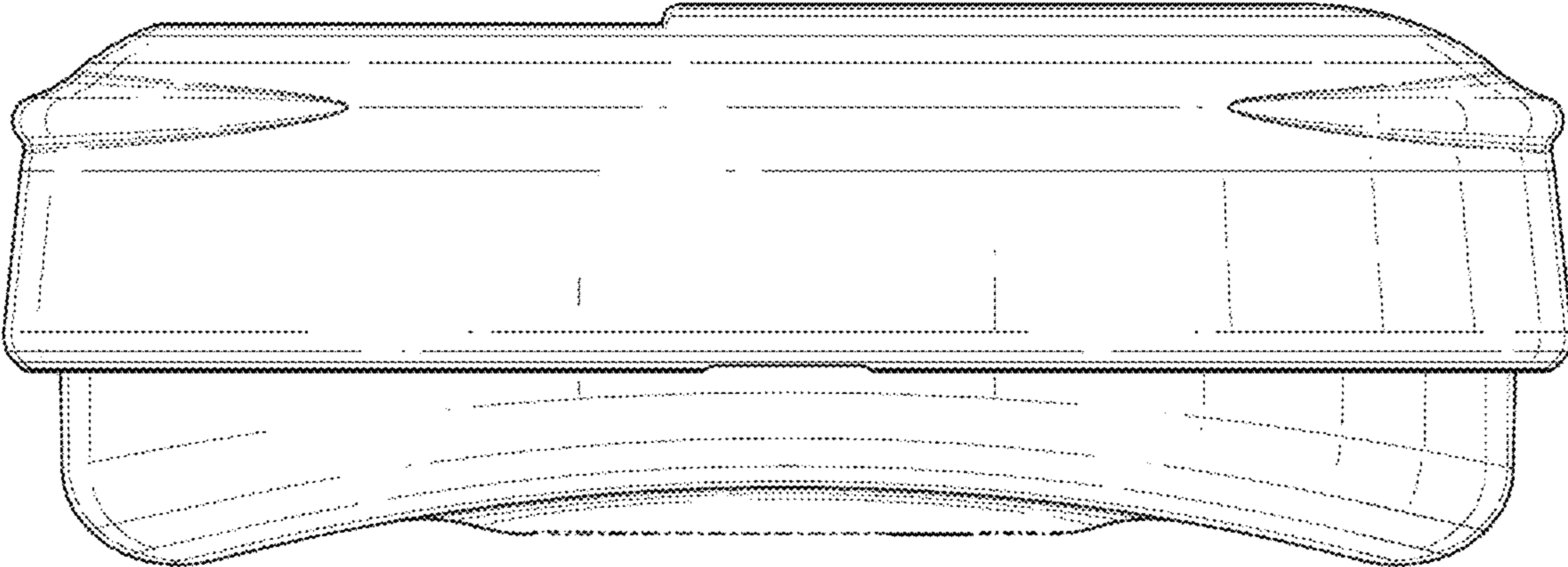


FIG. 16