



US0D1012256S

(12) **United States Design Patent** (10) **Patent No.:** **US D1,012,256 S**
Luo (45) **Date of Patent:** **** Jan. 23, 2024**

(54) **HUMIDIFIER**
(71) Applicant: **ZHONGSHAN HAOQI
ELECTRICAL APPLIANCE CO.,
LTD, Zhongshan (CN)**
(72) Inventor: **Jinqi Luo, Loudi (CN)**
(73) Assignee: **ZHONGSHAN HAOQI
ELECTRICAL APPLIANCE CO.,
LTD, Zhongshan (CN)**

D822,813 S * 7/2018 Seo D23/356
D897,512 S * 9/2020 Wu D23/356
D935,586 S * 11/2021 Sun D23/356
D945,583 S * 3/2022 Chou D23/356
D953,501 S * 5/2022 Seo D23/356
D971,393 S * 11/2022 Seo D23/356
D979,728 S * 2/2023 Luo D23/356
D997,325 S * 8/2023 Seo D23/356
D997,326 S * 8/2023 Seo D23/356

* cited by examiner

Primary Examiner — Jennifer Rivard

Assistant Examiner — Jonathan E Fiencke

(74) *Attorney, Agent, or Firm* — Nitin Kaushik

(**) Term: **15 Years**

(21) Appl. No.: **29/874,459**

(22) Filed: **Apr. 19, 2023**

(30) **Foreign Application Priority Data**

Feb. 17, 2023 (CN) 202330057720.1

(51) **LOC (14) Cl.** **23-04**

(52) **U.S. Cl.**
USPC **D23/356**

(58) **Field of Classification Search**
USPC D23/201, 207, 208, 213, 225, 333, 342,
D23/351, 355-366
CPC F24F 1/0007; F24F 1/0087; F24F 8/00;
F24F 2203/02; F24F 2110/20; F24F
11/0008; F24F 6/04

See application file for complete search history.

(56) **References Cited**

U.S. PATENT DOCUMENTS

D558,319 S * 12/2007 Ishiguro D23/356
D707,337 S * 6/2014 McDonnell D23/356
D729,918 S * 5/2015 Seo D23/356
D771,784 S * 11/2016 McDonnell D23/356

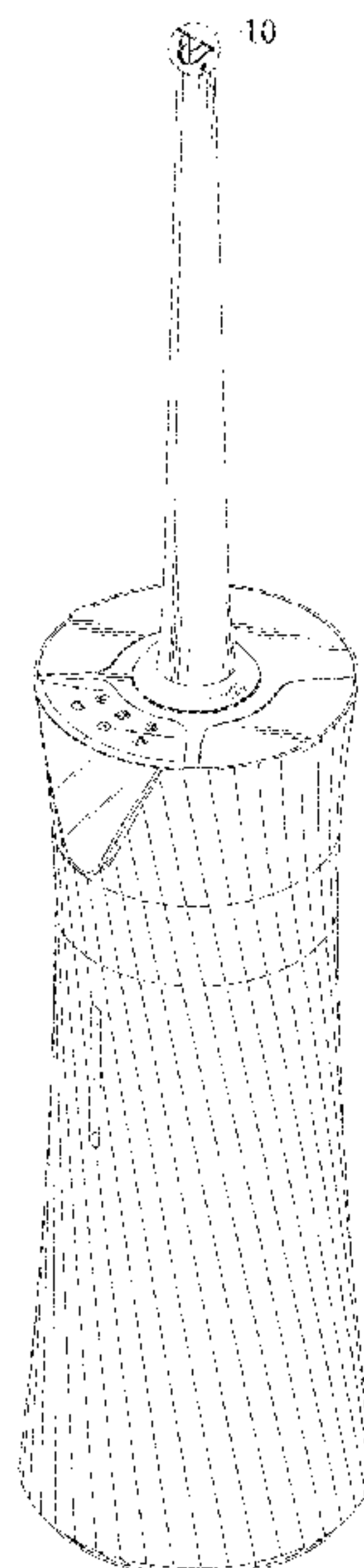
(57) **CLAIM**

The ornamental design for a humidifier, as shown and described.

DESCRIPTION

FIG. 1 is a top perspective view of a humidifier, showing my new design;
FIG. 2 is a front perspective view thereof;
FIG. 3 is a bottom perspective view thereof;
FIG. 4 is a front view thereof;
FIG. 5 is a rear view thereof;
FIG. 6 is a left side view thereof;
FIG. 7 is a right side view thereof;
FIG. 8 is a top view thereof;
FIG. 9 is a bottom view thereof;
FIG. 10 is an enlarged detail view of area 10 in FIG. 1; and,
FIG. 11 is an enlarged detail view of area 11 in FIG. 2.
The broken lines in the drawings illustrate the portions of the humidifier, which form no part of the claimed design.
The dash-dot-dash broken lines encircling the enlarged views are for annotative purposes only and form no part of the claim thereof.

1 Claim, 9 Drawing Sheets



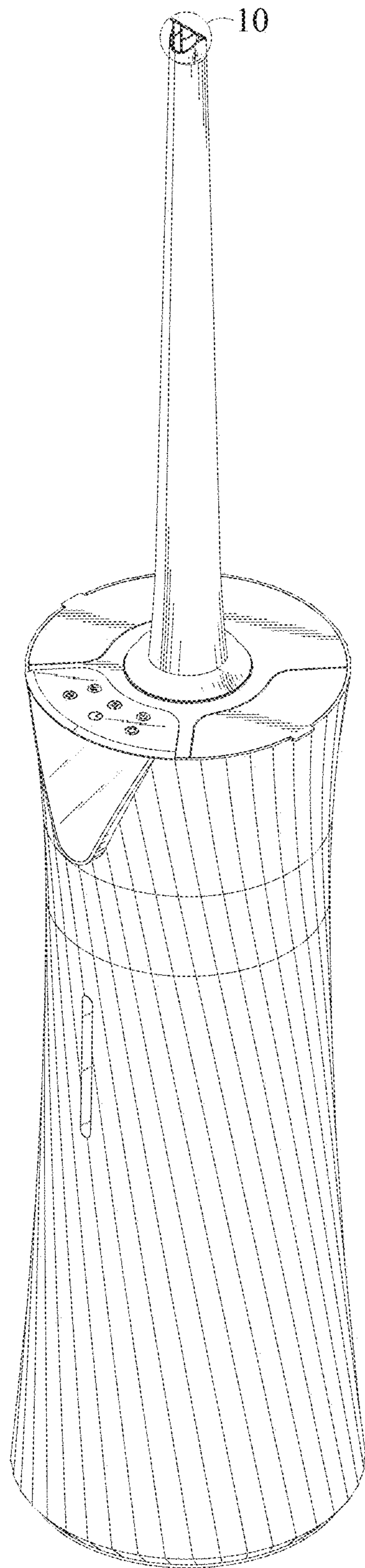


FIG. 1

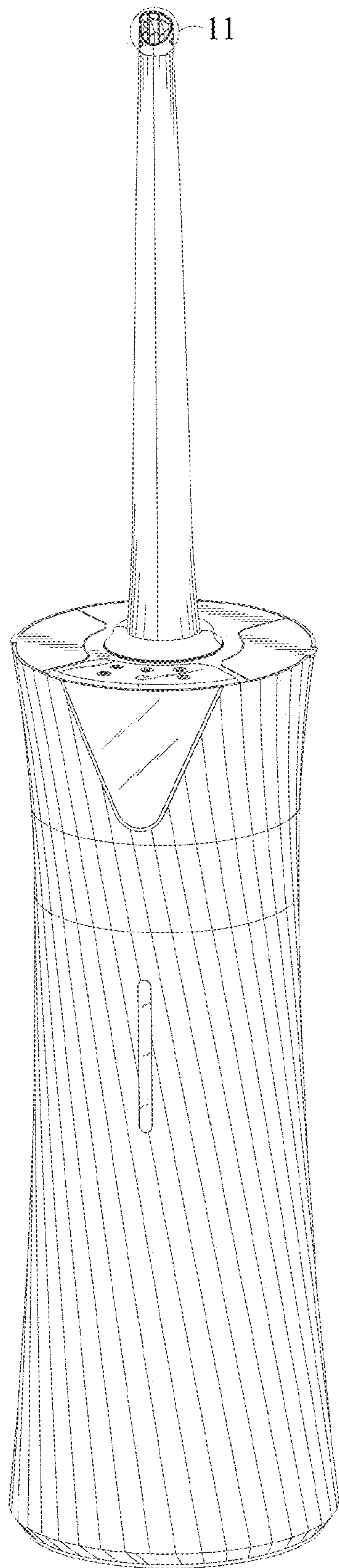


FIG. 2

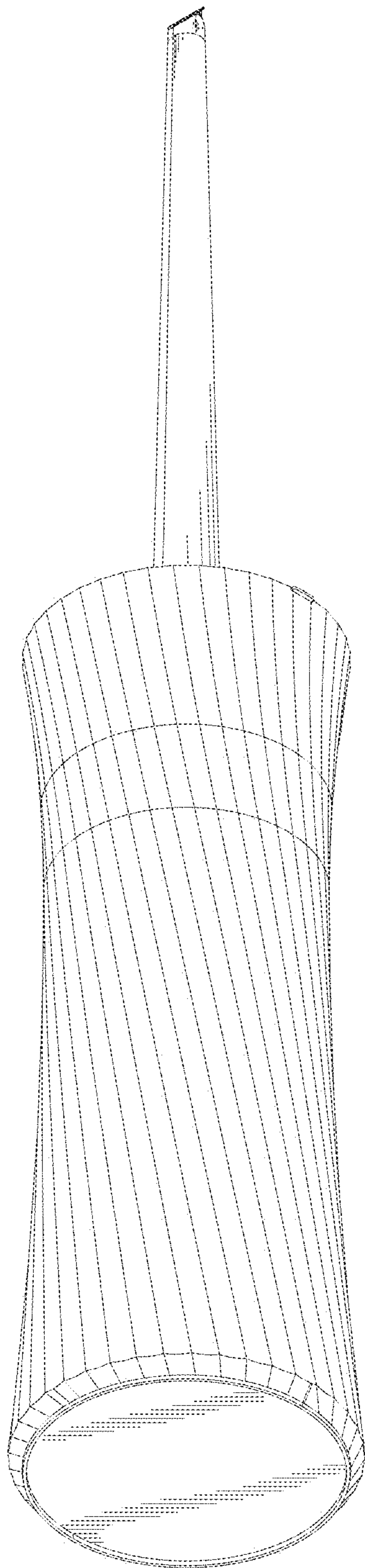


FIG. 3

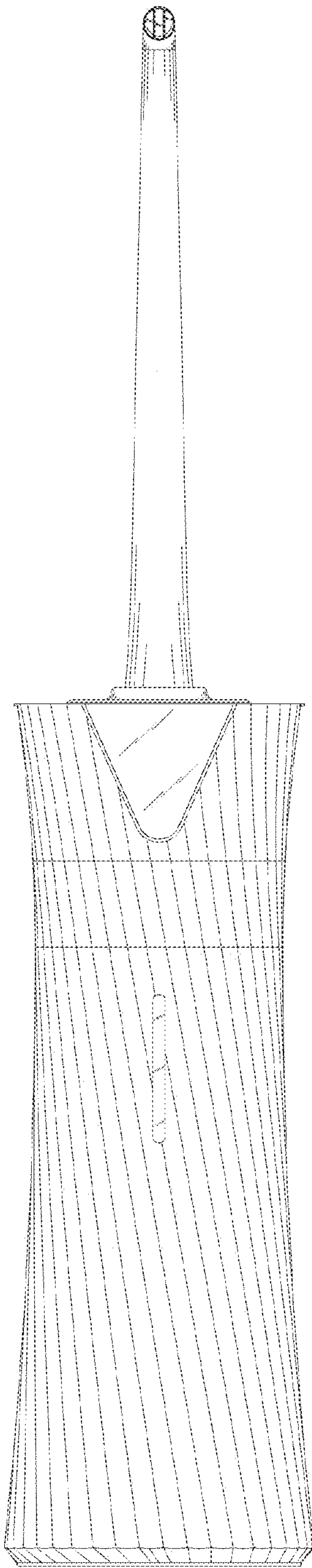


FIG. 4

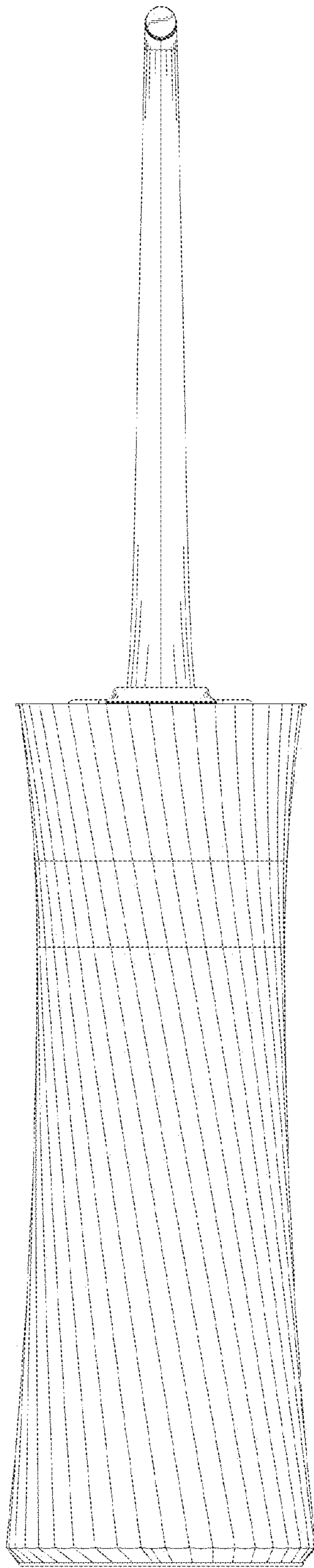


FIG. 5

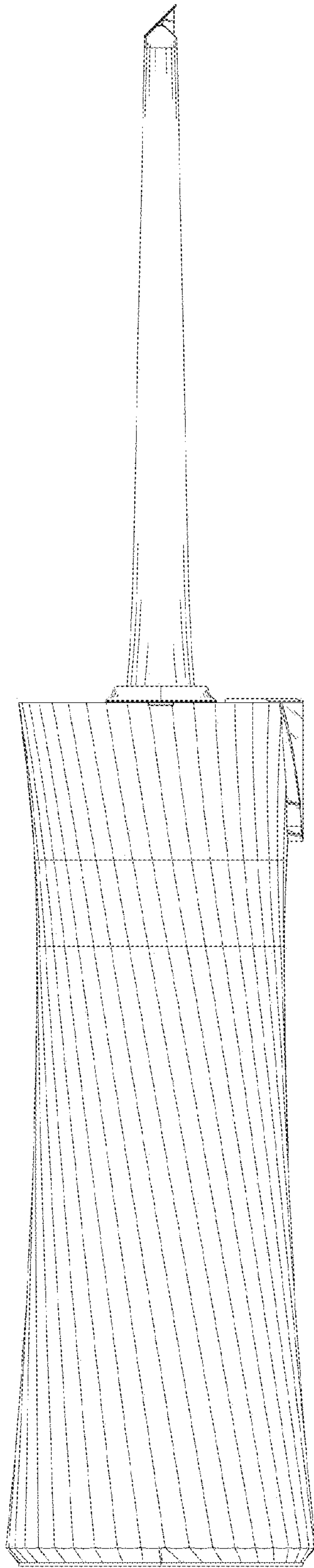


FIG. 6

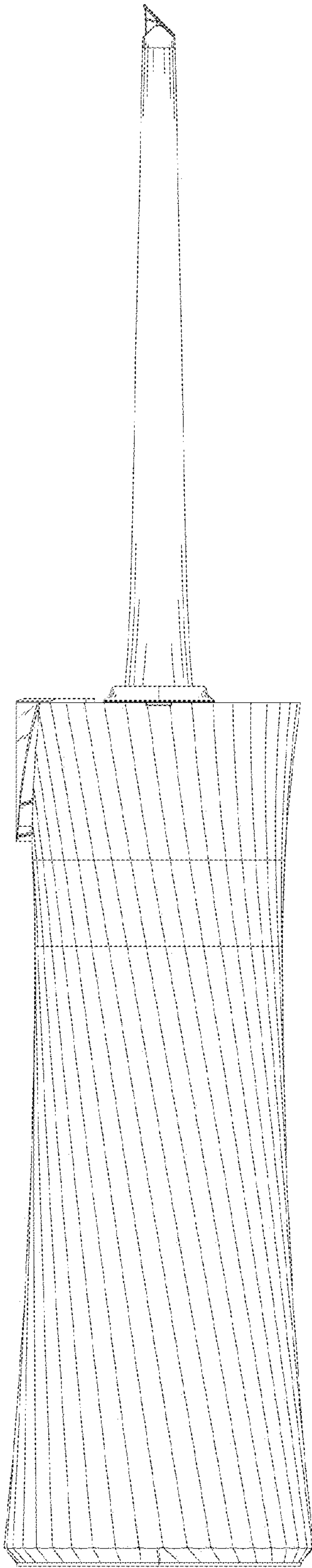


FIG. 7

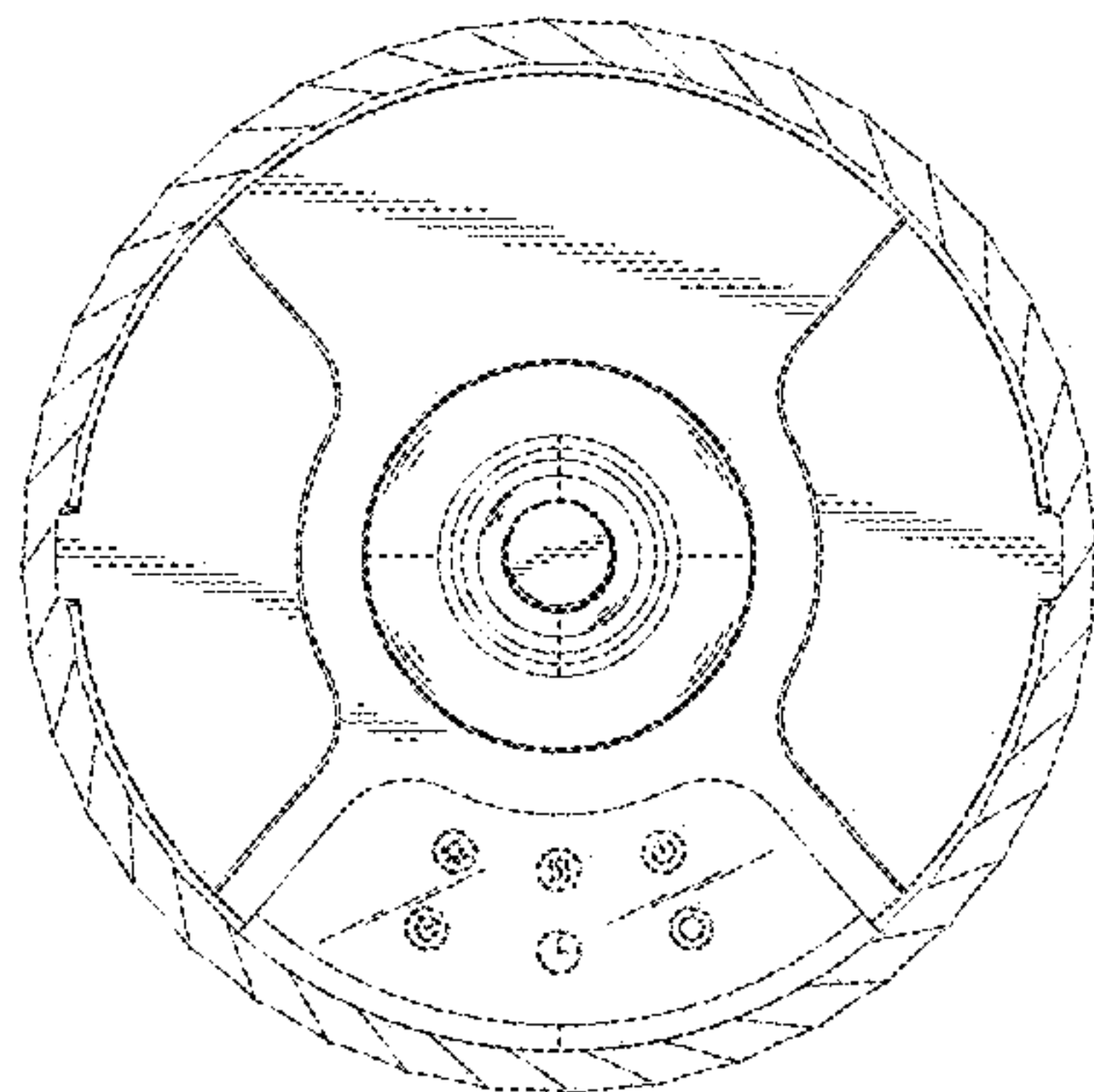


FIG. 8

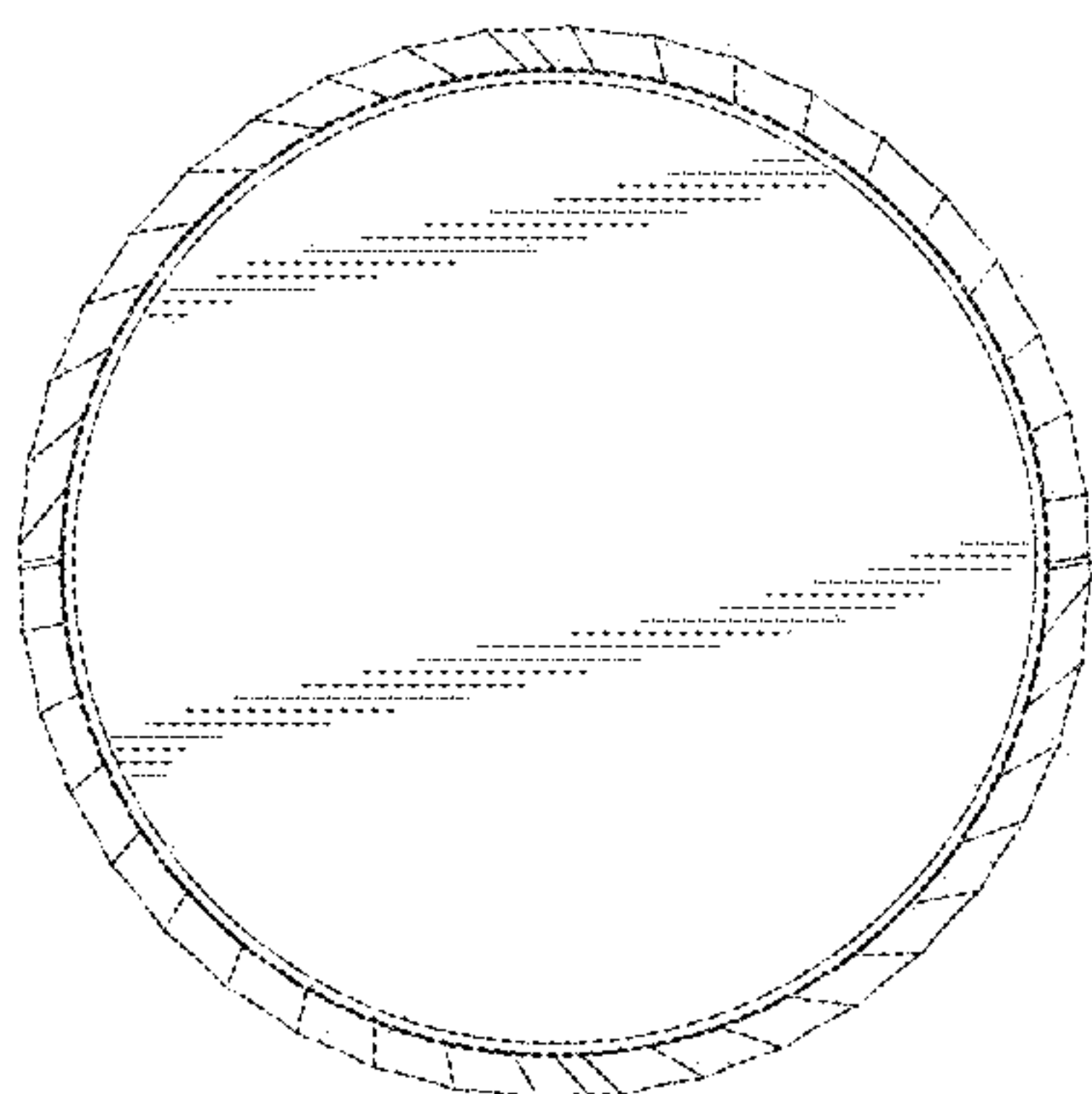


FIG. 9

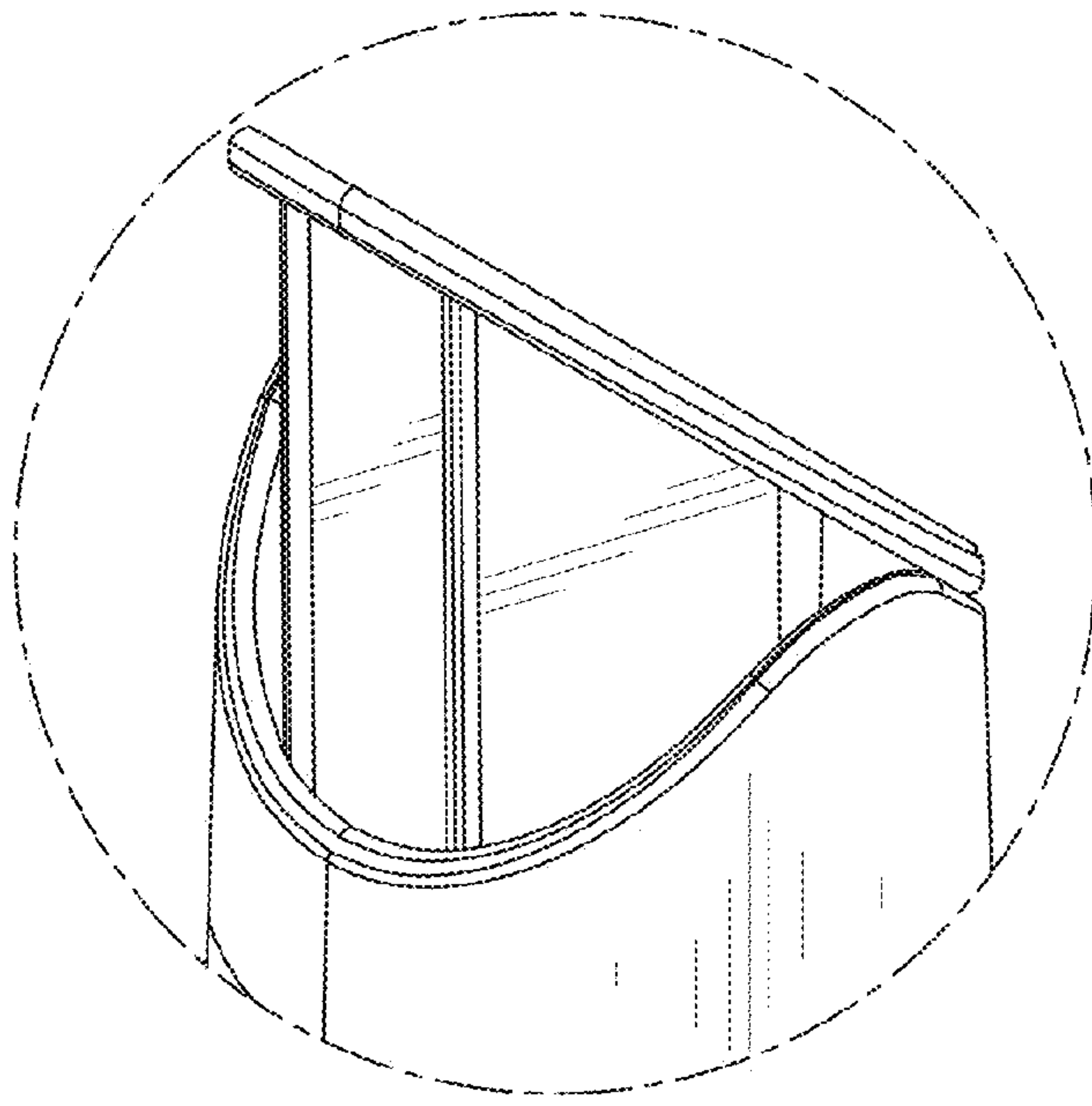


FIG. 10

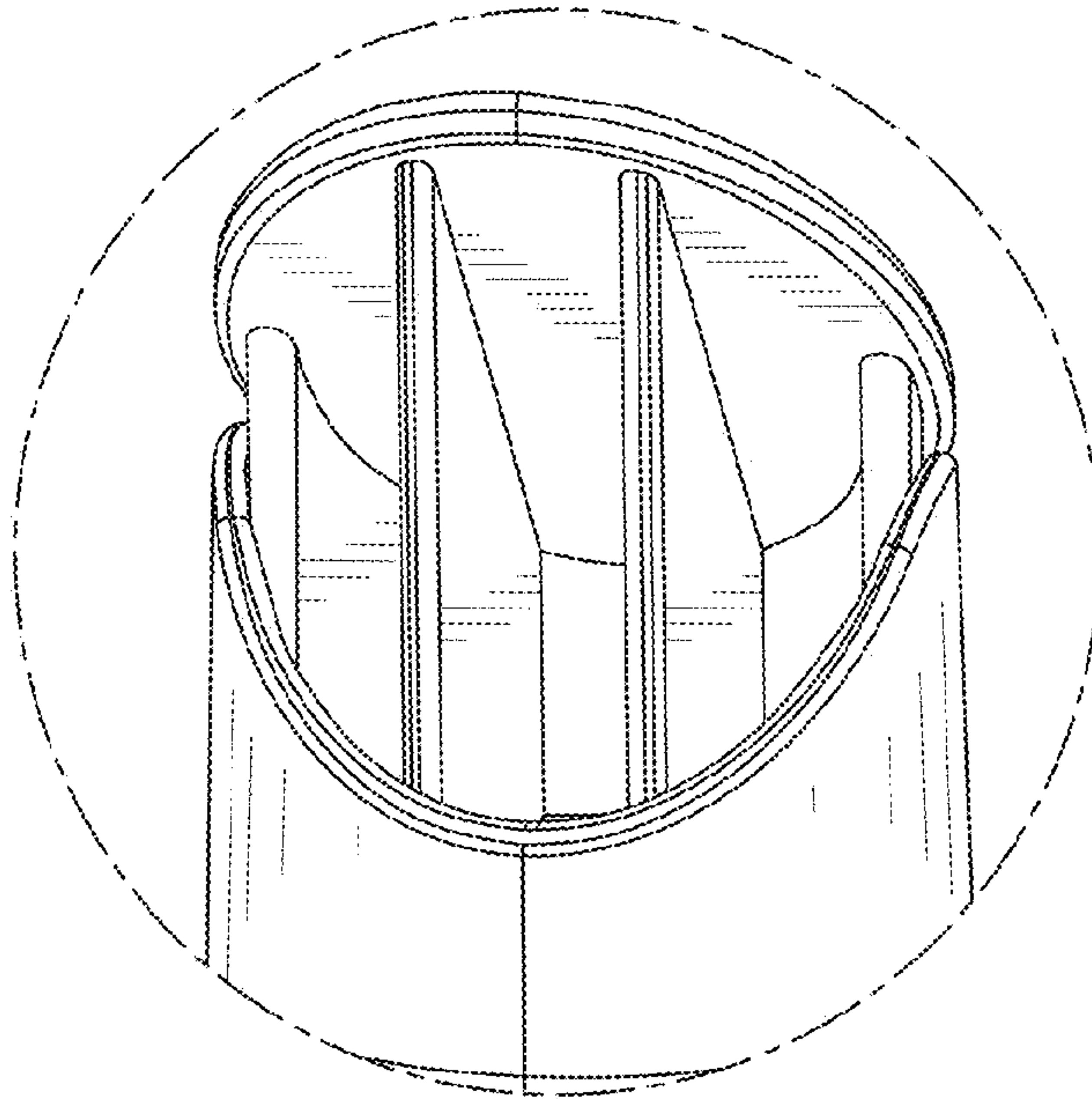


FIG. 11