



US0D1012241S

(12) **United States Design Patent** (10) **Patent No.:** **US D1,012,241 S**  
**Nowell et al.** (45) **Date of Patent:** **\*\* Jan. 23, 2024**

- (54) **FLUID END**
- (71) Applicant: **Kerr Machine Co.**, Sulphur, OK (US)
- (72) Inventors: **Mark S. Nowell**, Ardmore, OK (US);  
**Kelcy Jake Foster**, Ardmore, OK (US)
- (73) Assignee: **Kerr Machine Co.**, Sulphur, OK (US)
- (\*\*) Term: **15 Years**
- (21) Appl. No.: **29/877,631**
- (22) Filed: **Jun. 9, 2023**

- 3,257,952 A 6/1966 McCormick
- 3,373,695 A 3/1968 Yohpe
- 3,427,988 A 2/1969 Redman et al.
- 3,474,808 A 10/1969 Elliott
- 3,589,387 A 6/1971 Raymond
- 3,679,332 A 7/1972 Yohpe
- 4,047,850 A 9/1977 Berthelot
- 4,170,214 A 10/1979 Gill et al.
- 4,277,229 A 7/1981 Pacht
- 4,363,463 A 12/1982 Moon, Jr.
- 4,388,050 A 6/1983 Schuller
- 4,467,703 A 8/1984 Redwine et al.
- 4,470,771 A 9/1984 Hall et al.
- 4,520,837 A 6/1985 Cole et al.
- 4,758,135 A 7/1988 Woodward et al.
- 4,768,933 A 9/1988 Stachowiak
- 4,771,801 A 9/1988 Crump et al.

(Continued)

**Related U.S. Application Data**

- (63) Continuation of application No. 29/770,886, filed on Feb. 17, 2021, now Pat. No. Des. 989,916, which is a continuation of application No. 29/672,918, filed on Dec. 10, 2018, now Pat. No. Des. 916,240.
- (51) **LOC (14) Cl.** ..... **23-01**
- (52) **U.S. Cl.**  
USPC ..... **D23/233**
- (58) **Field of Classification Search**  
USPC ..... D23/233, 235, 241, 247, 248  
CPC ..... F16K 1/42; F16K 27/0254  
See application file for complete search history.

*Primary Examiner* — Gino Colan

(74) *Attorney, Agent, or Firm* — Tomlinson McKinstry, P.C.

(57) **CLAIM**

The ornamental design for a fluid end, as shown and described.

**DESCRIPTION**

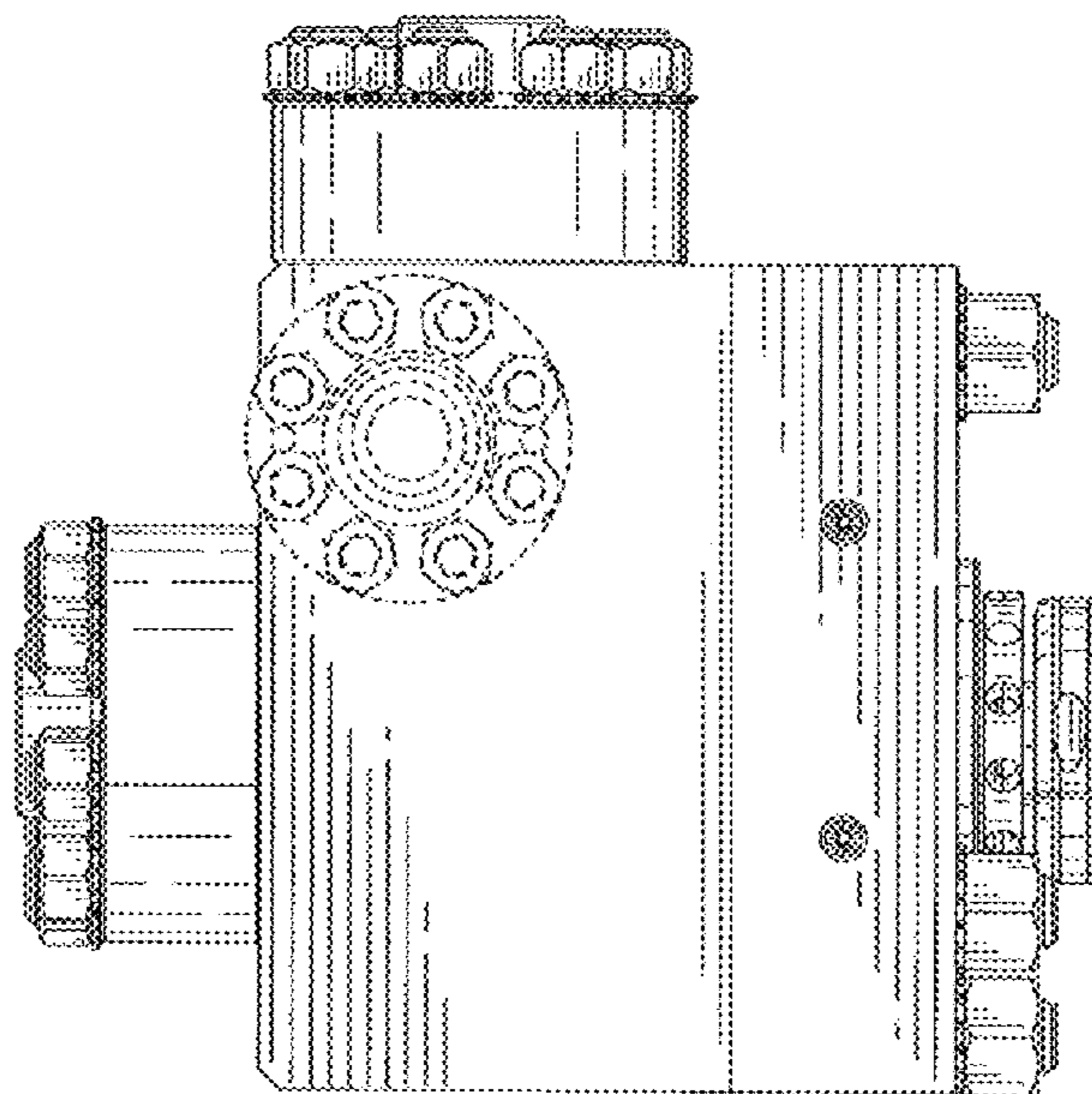
FIG. 1 is a right side elevational view of a fluid end of our new design;  
 FIG. 2 is a front elevational view thereof;  
 FIG. 3 is a left side elevational view thereof;  
 FIG. 4 is a rear elevational view thereof;  
 FIG. 5 is a bottom plan view thereof;  
 FIG. 6 is a top plan view thereof;  
 FIG. 7 is a front top right perspective view thereof; and,  
 FIG. 8 is a top rear left perspective view thereof.  
 The dashed broken line elements are included for the purposes of illustrating portions of the fluid end for context and form no part of the claimed ornamental design.

(56) **References Cited**

U.S. PATENT DOCUMENTS

- 1,316,539 A 9/1919 Ford
- 1,822,682 A 9/1931 Weiger
- 2,713,522 A 7/1955 Petch
- 2,756,960 A 7/1956 Church
- 2,856,857 A 10/1958 Saalfrank
- 3,053,500 A 9/1962 Atkinson
- 3,146,724 A 9/1964 Cornelsen
- 3,152,787 A 10/1964 Timmons
- 3,173,648 A 3/1965 McGuire et al.
- 3,179,121 A 4/1965 Bredtschneider et al.

**1 Claim, 8 Drawing Sheets**



(56)

References Cited

U.S. PATENT DOCUMENTS

4,773,833 A 9/1988 Wilkinson et al.  
 4,778,347 A 10/1988 Mize  
 4,861,241 A 8/1989 Gamboa et al.  
 4,878,815 A 11/1989 Stachowiak  
 4,891,241 A 1/1990 Hashimoto et al.  
 4,948,349 A 8/1990 Koiwa  
 4,984,970 A 1/1991 Eickmann  
 5,059,101 A 10/1991 Valavaara  
 5,073,096 A 12/1991 King et al.  
 5,145,340 A 9/1992 Allard  
 5,207,242 A 5/1993 Daghe et al.  
 5,226,445 A 7/1993 Surjaatmadja  
 5,362,215 A 11/1994 King  
 5,370,148 A 12/1994 Shafer  
 5,507,219 A 4/1996 Stogner  
 5,524,902 A 6/1996 Cornette  
 6,164,318 A 12/2000 Dixon  
 6,257,626 B1 7/2001 Campau  
 6,382,940 B1 5/2002 Blume  
 6,419,459 B1 7/2002 Sibbing  
 6,544,012 B1 4/2003 Blume  
 6,641,112 B2 11/2003 Antoff et al.  
 6,910,871 B1 6/2005 Blume  
 7,140,211 B2 11/2006 Tremblay  
 7,168,440 B1 1/2007 Blume  
 7,186,097 B1 3/2007 Blume  
 7,290,560 B2 11/2007 Orr et al.  
 7,296,591 B2 11/2007 Moe et al.  
 7,335,002 B2 2/2008 Vicars  
 7,506,574 B2 3/2009 Jensen et al.  
 7,513,759 B1 4/2009 Blume  
 7,789,133 B2 9/2010 McGuire  
 7,828,053 B2 11/2010 McGuire et al.  
 7,845,413 B2 12/2010 Champine et al.  
 7,963,502 B2 6/2011 Lovell et al.  
 8,100,407 B2 1/2012 Stanton et al.  
 8,317,498 B2 11/2012 Gambier et al.  
 8,360,094 B2 1/2013 Steinbock et al.  
 8,528,462 B2 9/2013 Pacht  
 8,528,585 B2 9/2013 McGuire  
 8,701,546 B2 4/2014 Pacht  
 9,010,412 B2 4/2015 McGuire  
 9,188,121 B1 11/2015 Dille  
 9,260,933 B2 2/2016 Artherholt et al.  
 9,328,745 B2 5/2016 Bartlok et al.  
 9,371,919 B2 6/2016 Forrest et al.  
 9,416,887 B2 8/2016 Blume  
 9,435,454 B2 9/2016 Blume  
 9,534,473 B2 1/2017 Morris et al.  
 9,631,739 B2 4/2017 Belshan  
 9,732,746 B2 8/2017 Chandrasekaran et al.  
 9,822,894 B2 11/2017 Bayyouk et al.  
 D806,241 S 12/2017 Swinney et al.  
 10,184,470 B2 1/2019 Barnett, Jr.  
 10,221,847 B2 3/2019 Dyer  
 10,760,567 B2 9/2020 Salih et al.  
 D916,240 S \* 4/2021 Nowell ..... D23/233

D928,917 S \* 8/2021 Nowell ..... D23/233  
 D989,916 S \* 6/2023 Nowell ..... D23/233  
 2002/0166588 A1 11/2002 Dean  
 2004/0170507 A1 9/2004 Vicars  
 2004/0234404 A1 11/2004 Vicars  
 2006/0002806 A1 1/2006 Baxter et al.  
 2006/0027779 A1 2/2006 McGuire et al.  
 2006/0165541 A1 7/2006 Teshima  
 2008/0006089 A1 1/2008 Adnan et al.  
 2008/0008605 A1 1/2008 Bauer et al.  
 2008/0093361 A1 4/2008 Kennedy et al.  
 2008/0279706 A1 11/2008 Gambier et al.  
 2010/0243255 A1 9/2010 Luharuka et al.  
 2011/0079302 A1 4/2011 Hawes  
 2011/0173814 A1 7/2011 Patel  
 2011/0189040 A1 8/2011 Vicars  
 2011/0206546 A1 8/2011 Vicars  
 2011/0206547 A1 8/2011 Kim et al.  
 2012/0063936 A1 3/2012 Baxter et al.  
 2012/0141305 A1 6/2012 Landers  
 2012/0141308 A1 6/2012 Saini et al.  
 2012/0187321 A1 7/2012 Small  
 2012/0272764 A1 11/2012 Pendleton  
 2013/0020521 A1 1/2013 Byrne  
 2013/0112074 A1 5/2013 Small  
 2013/0202458 A1 8/2013 Byrne et al.  
 2013/0319220 A1 12/2013 Luharuka et al.  
 2014/0127062 A1 5/2014 Buckley et al.  
 2014/0196883 A1 7/2014 Artherholt et al.  
 2014/0348677 A1 11/2014 Moeller et al.  
 2015/0084335 A1 3/2015 Farrell et al.  
 2015/0132157 A1 5/2015 Whaley et al.  
 2015/0144826 A1 5/2015 Bayyouk et al.  
 2015/0147194 A1 5/2015 Foote  
 2015/0300332 A1 10/2015 Kotapish et al.  
 2015/0361745 A1 12/2015 Guerra  
 2016/0123313 A1 5/2016 Simmons  
 2016/0160848 A1 6/2016 Toppings et al.  
 2016/0312808 A1 10/2016 Morreale  
 2017/0002947 A1 1/2017 Bayyouk et al.  
 2017/0089473 A1 3/2017 Nowell et al.  
 2017/0204852 A1 7/2017 Barnett, Jr.  
 2017/0211565 A1 7/2017 Morreale  
 2018/0017173 A1 1/2018 Nowell et al.  
 2018/0045187 A1 2/2018 Nagel et al.  
 2018/0313456 A1 11/2018 Bayyouk et al.  
 2019/0011051 A1 1/2019 Yeung  
 2019/0017503 A1 \* 1/2019 Foster ..... F04B 53/22  
 2019/0128104 A1 5/2019 Graham et al.  
 2020/0182240 A1 \* 6/2020 Nowell ..... F16J 15/184  
 2020/0232455 A1 7/2020 Blume  
 2020/0300240 A1 \* 9/2020 Nowell ..... F16B 35/005  
 2021/0108734 A1 \* 4/2021 Nowell ..... F16K 5/0471  
 2021/0190067 A1 \* 6/2021 Nowell ..... F04B 1/0538  
 2021/0215154 A1 \* 7/2021 Nowell ..... F04B 1/16  
 2022/0099073 A1 \* 3/2022 Thomas ..... F04B 7/0208  
 2022/0260161 A1 \* 8/2022 Nowell ..... F04B 53/164  
 2022/0412346 A1 \* 12/2022 Nowell ..... F04B 53/007

\* cited by examiner



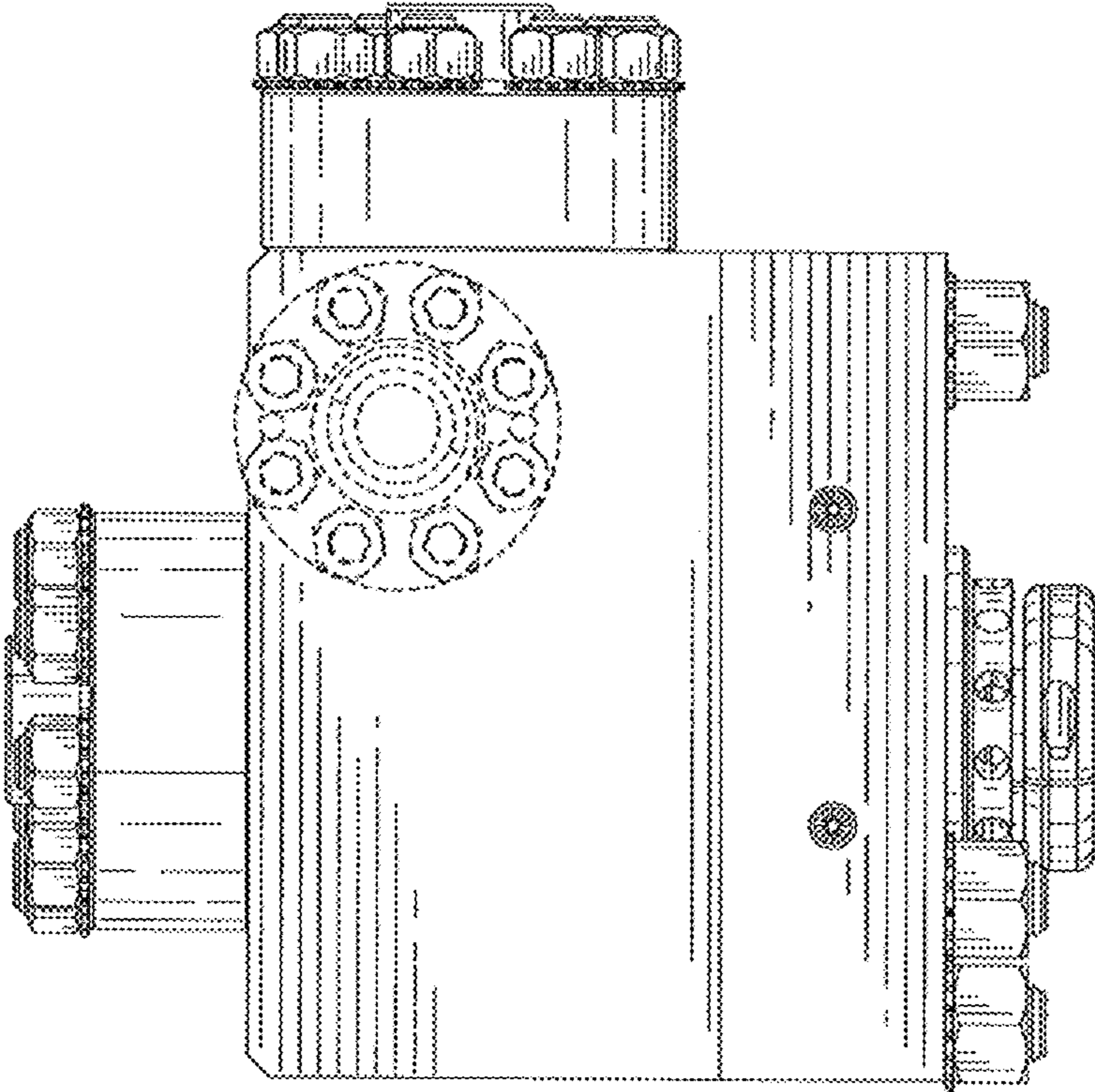


FIG. 1

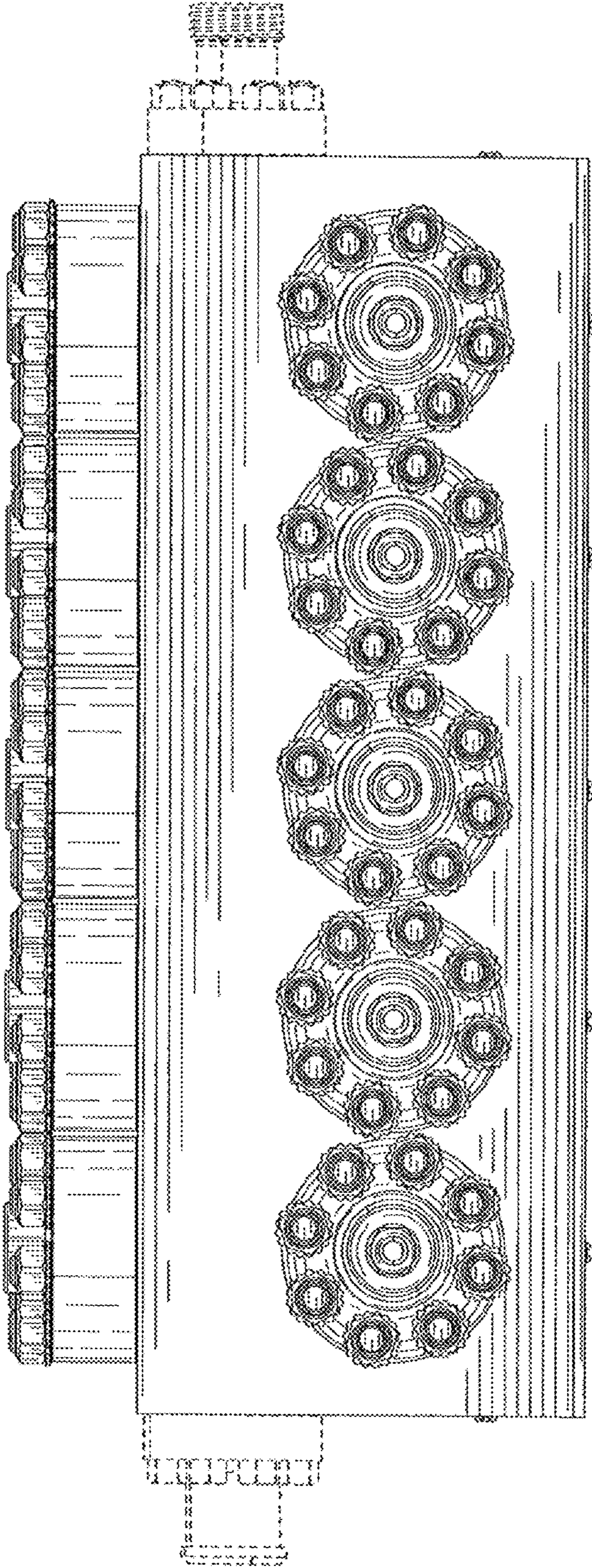


FIG. 2



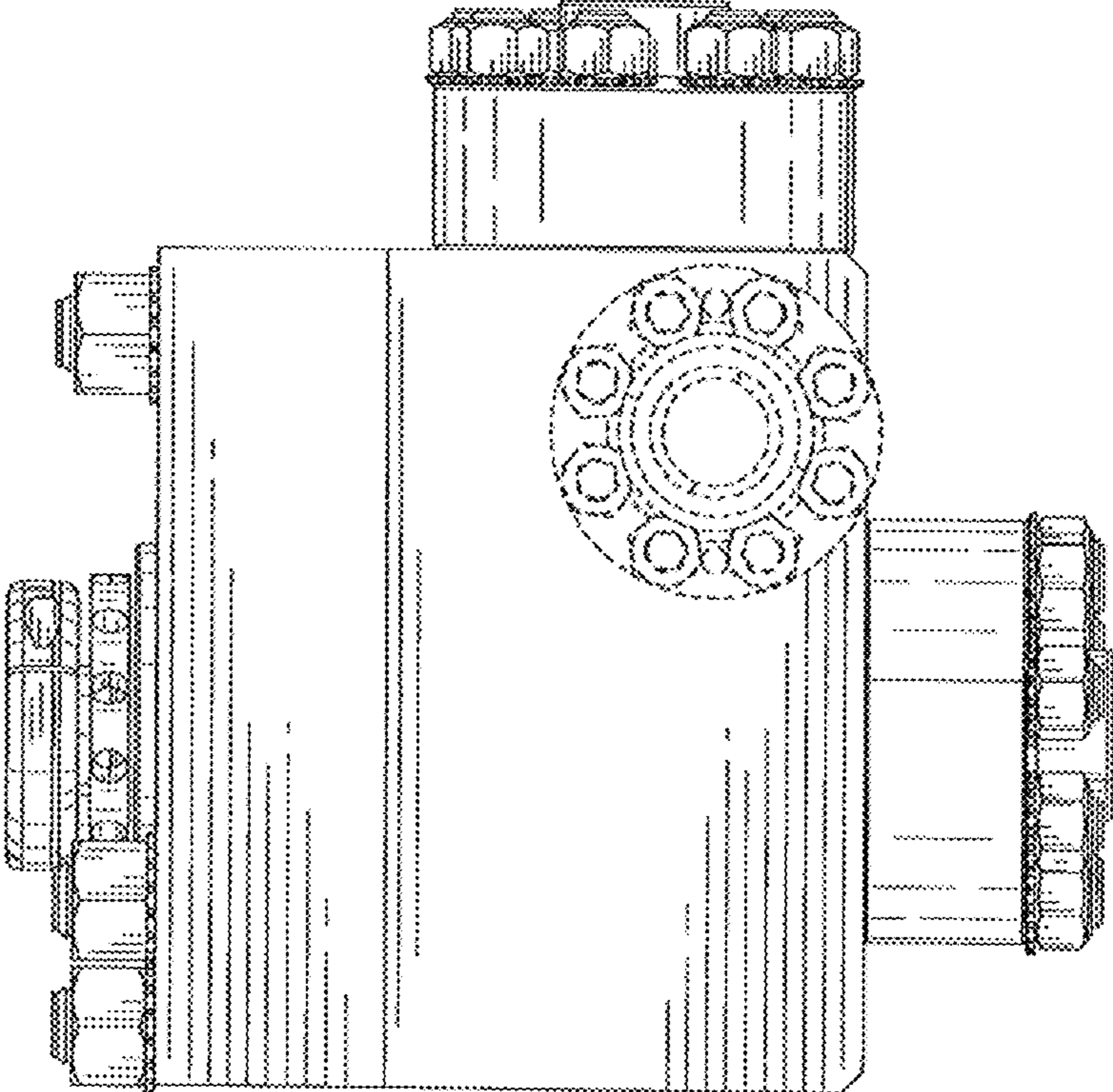


FIG. 3

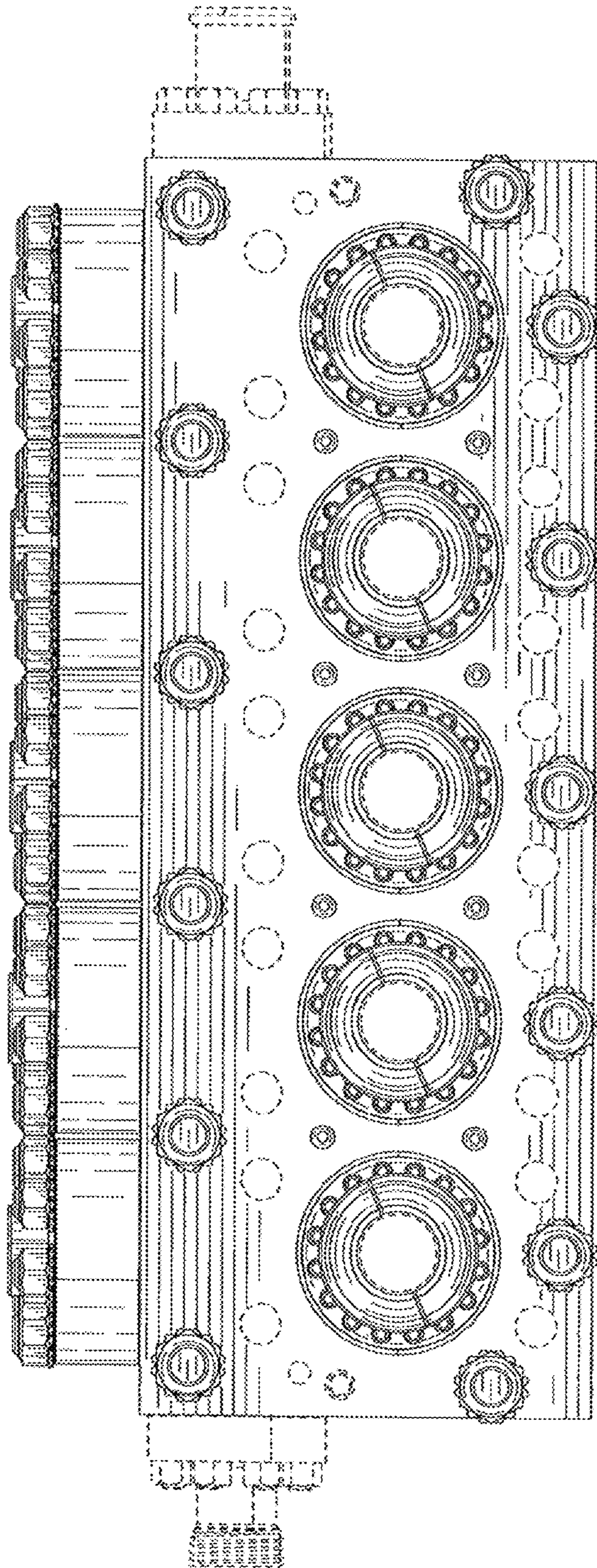


FIG. 4



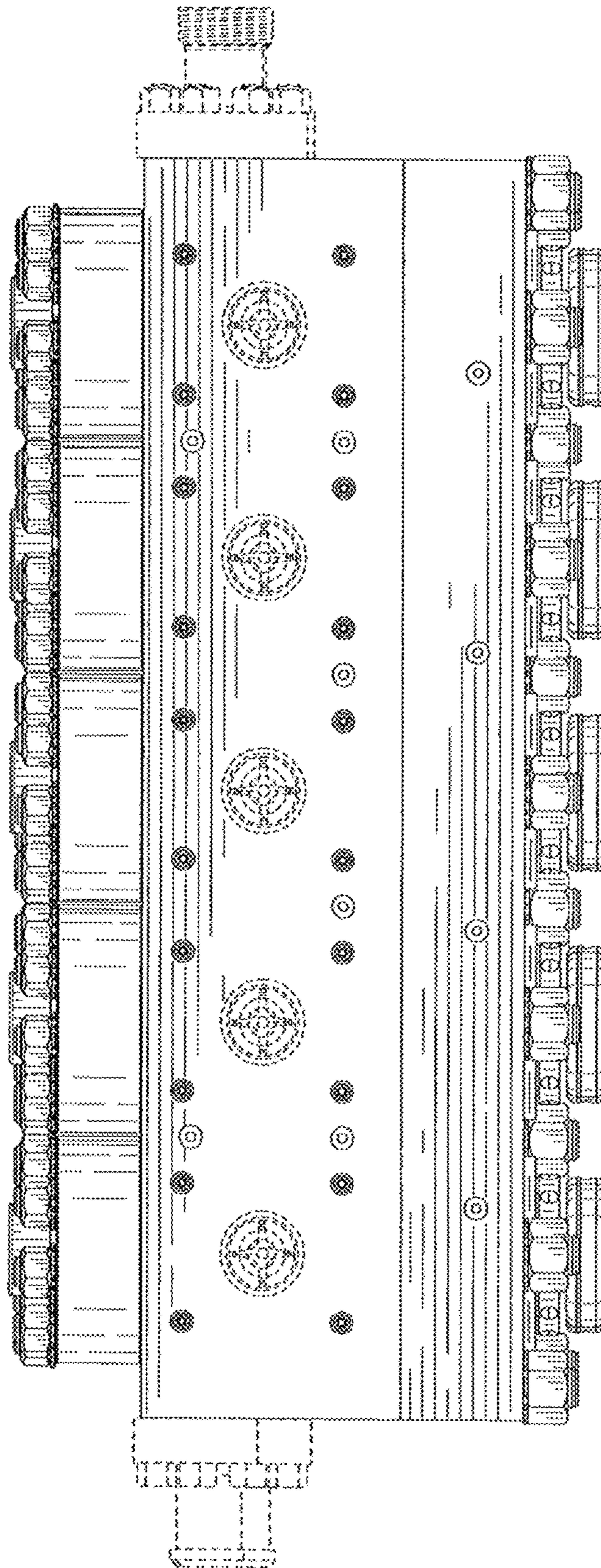


FIG. 5



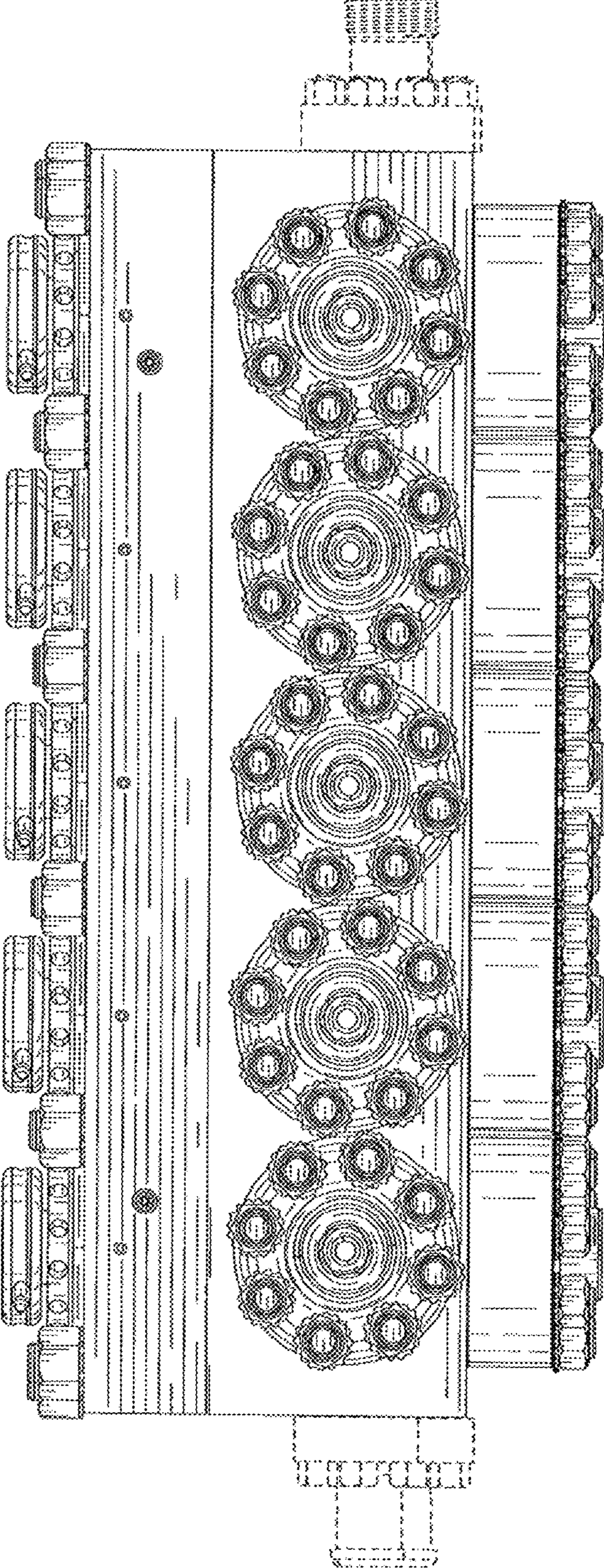


FIG. 6



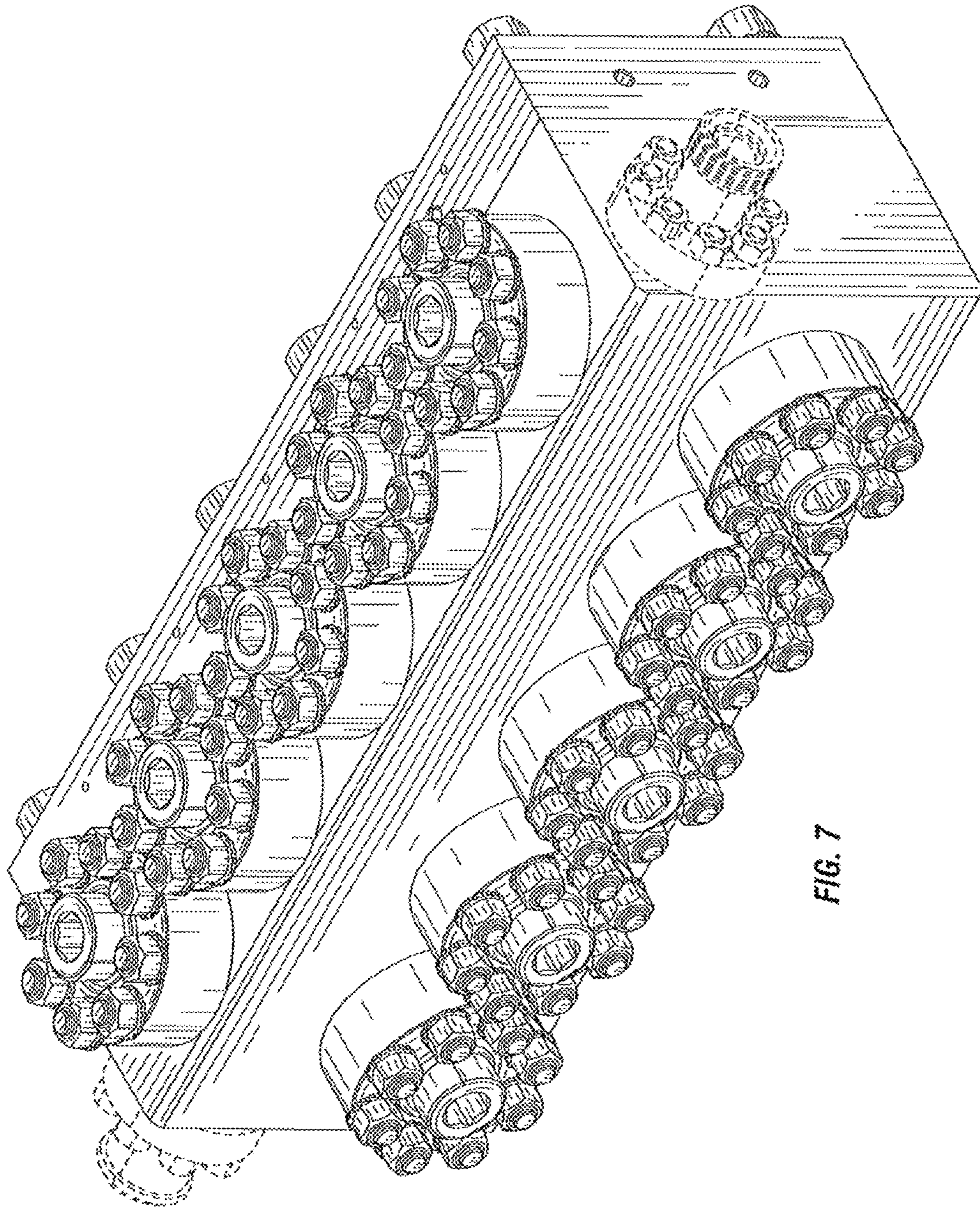


FIG. 7



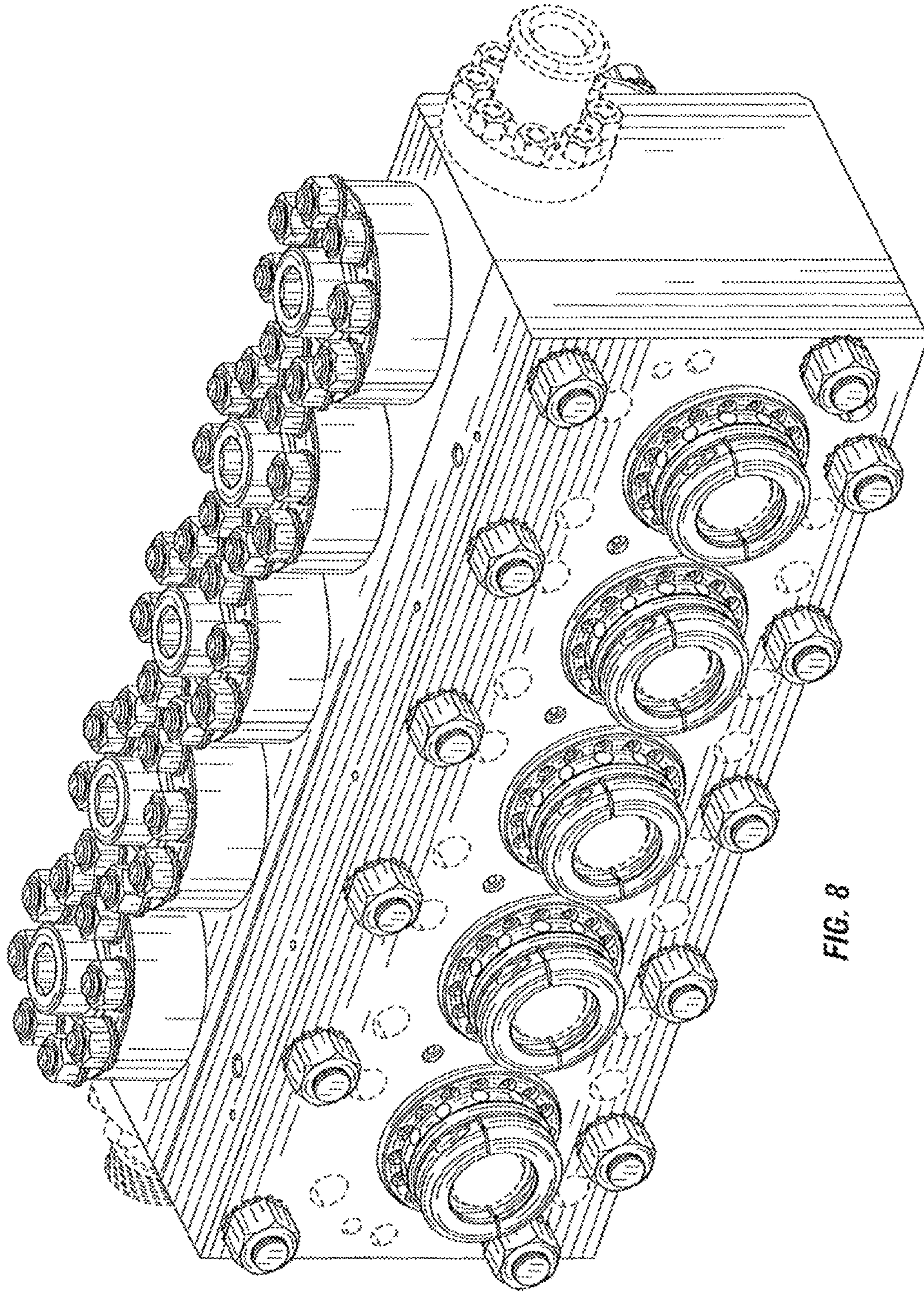


FIG. 8