



US0D1012214S

(12) **United States Design Patent** (10) **Patent No.: US D1,012,214 S**  
**Engler et al.** (45) **Date of Patent: \*\* Jan. 23, 2024**

(54) **SPORTS PYLON**

OTHER PUBLICATIONS

(71) Applicant: **P&P IMPORTS LLC**, Irvine, CA (US)

GoSports, announced 2021[online], [site visited Mar. 1, 2023]. Available on internet, URL:https://www.amazon.com/GoSports-Golf-Track-Swing-Guide/dp/B09KZ76F6M/ref (Year: 2021).\*

(72) Inventors: **Peter Engler**, Newport Beach, CA (US); **Peter Tanoury**, Newport Beach, CA (US); **Willis Santamaria**, Diamond Bar, CA (US)

Aexit, announced 2018 [online], [site visited Aug. 26, 2023]. Available on internet, URL:https://www.amazon.com/Aexit-Fittings-Hexagonal-Microbore-Connectors/dp/B07CWVNQW1/ref (Year: 2018).\*

(\*\*) Term: **15 Years**

CTA tools, announced 2016 [online], [site visited Aug. 26, 2023]. Available on internet, URL:https://www.amazon.com/CTA-Tools-1024-Bostech-Pressure/dp/B01LEXSMIS/ref (Year: 2016).\*

(21) Appl. No.: **29/783,479**

Eyeline Golf, Speed Trap 2.0, at least as early as May 10, 2021, https://eyelinegolf.com/collections/swing-aids/products/speed-trap.

(22) Filed: **May 13, 2021**

\* cited by examiner

(51) **LOC (14) Cl.** ..... **21-02**

*Primary Examiner* — Khawaja Anwar

(52) **U.S. Cl.**

*Assistant Examiner* — Julice Seung Eun Oum

USPC ..... **D21/759**

(58) **Field of Classification Search**

(57) **CLAIM**

USPC ..... D21/358, 708, 741, 735, 753, 759, 789,  
D21/790, 791, 792, 793, 794, 796, 751;  
D8/86, 85, 83, 84, 66, 70, 14, 47  
CPC . A63B 57/0068; A63B 57/0075; A63B 55/10;  
A63B 57/203; A63B 57/207; A63B  
2071/024; A63B 2207/02; A63B 2209/08;  
A47F 7/00

The ornamental design for a sports pylon, as shown and described.

See application file for complete search history.

**DESCRIPTION**

(56) **References Cited**

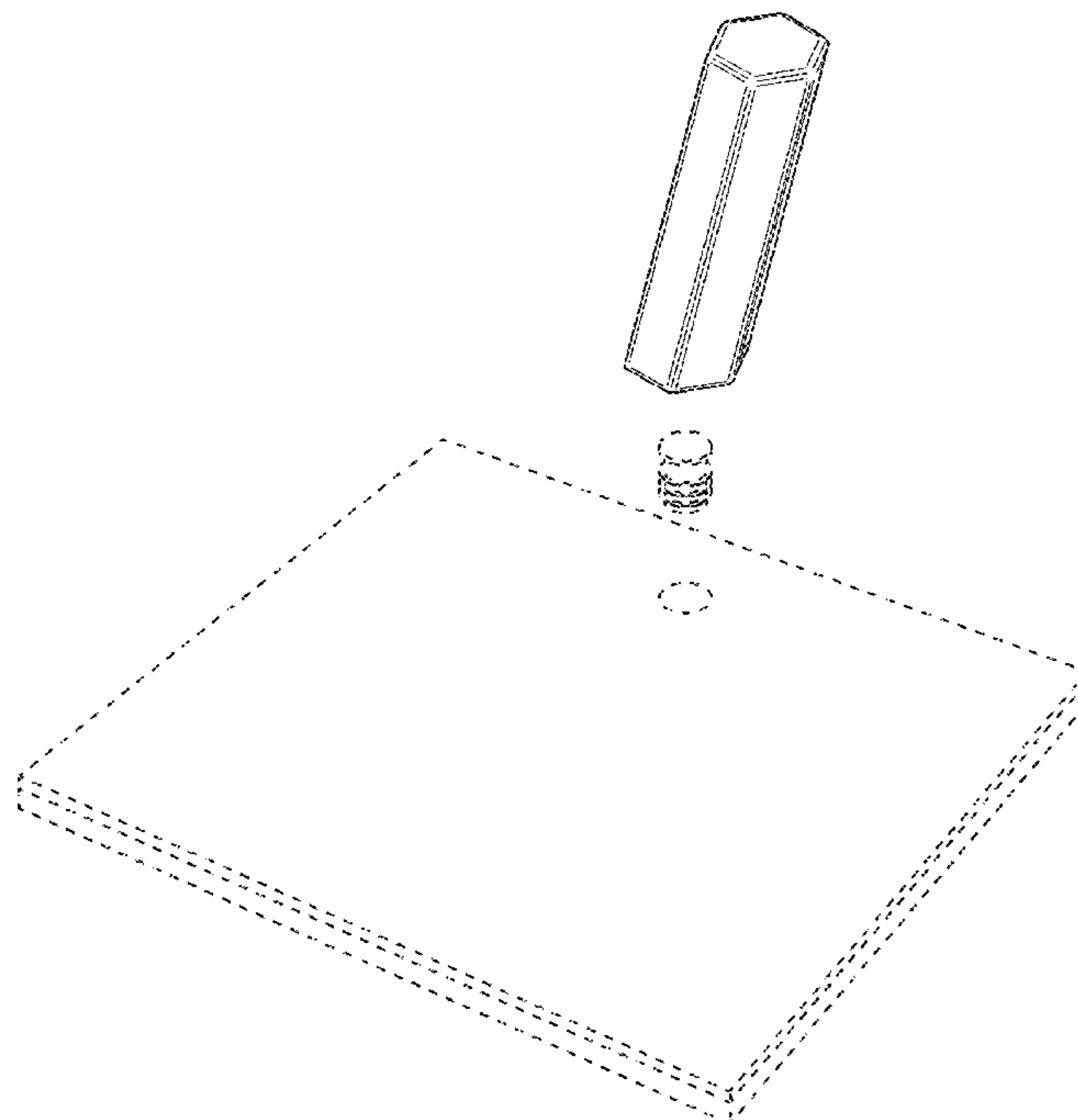
FIG. 1 is a perspective view of a sports pylon showing the claimed design;  
FIG. 2 is a left-side elevational view thereof, the right-side elevational view thereof being a mirror image of the left-side elevational view;  
FIG. 3 is a front elevational view thereof;  
FIG. 4 is a back elevational view thereof;  
FIG. 5 is a bottom plan view thereof; and,  
FIG. 6 is a top plan view thereof.

U.S. PATENT DOCUMENTS

|                 |         |         |       |            |
|-----------------|---------|---------|-------|------------|
| D24,321 S *     | 5/1895  | Broch   | ..... | D15/139    |
| D341,763 S *    | 11/1993 | Espin   | ..... | D8/86      |
| D711,719 S *    | 8/2014  | DeBaker | ..... | D8/86      |
| 10,279,228 B2 * | 5/2019  | Smith   | ..... | A63B 53/14 |
| D927,949 S *    | 8/2021  | Tidwell | ..... | D8/47      |
| D935,298 S *    | 11/2021 | Liu     | ..... | D8/86      |
| D942,238 S *    | 2/2022  | Whited  | ..... | D8/86      |

Broken lines in the figures show portions of the sports pylon that form no part of the claimed design.

**1 Claim, 6 Drawing Sheets**



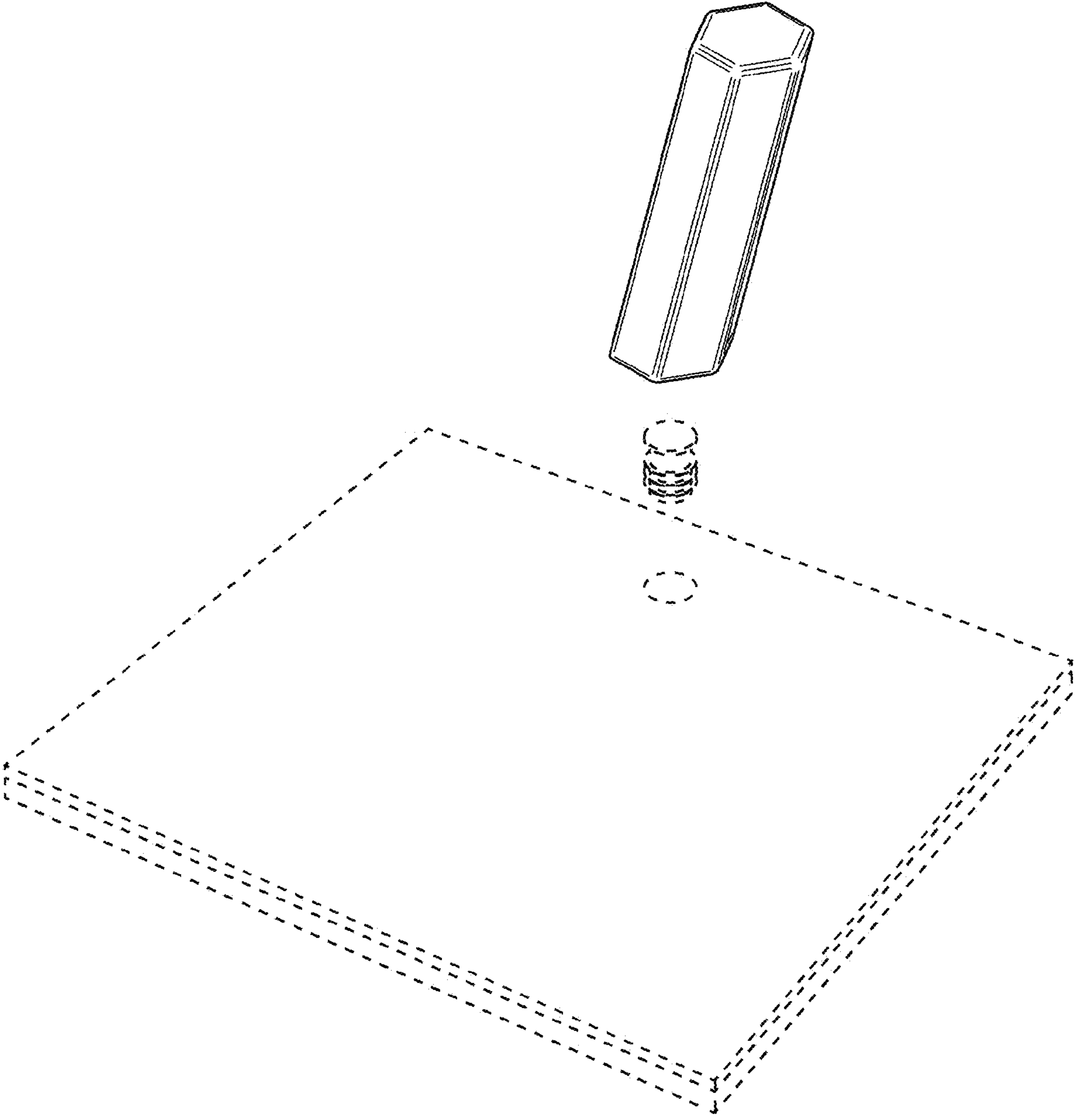


FIG. 1

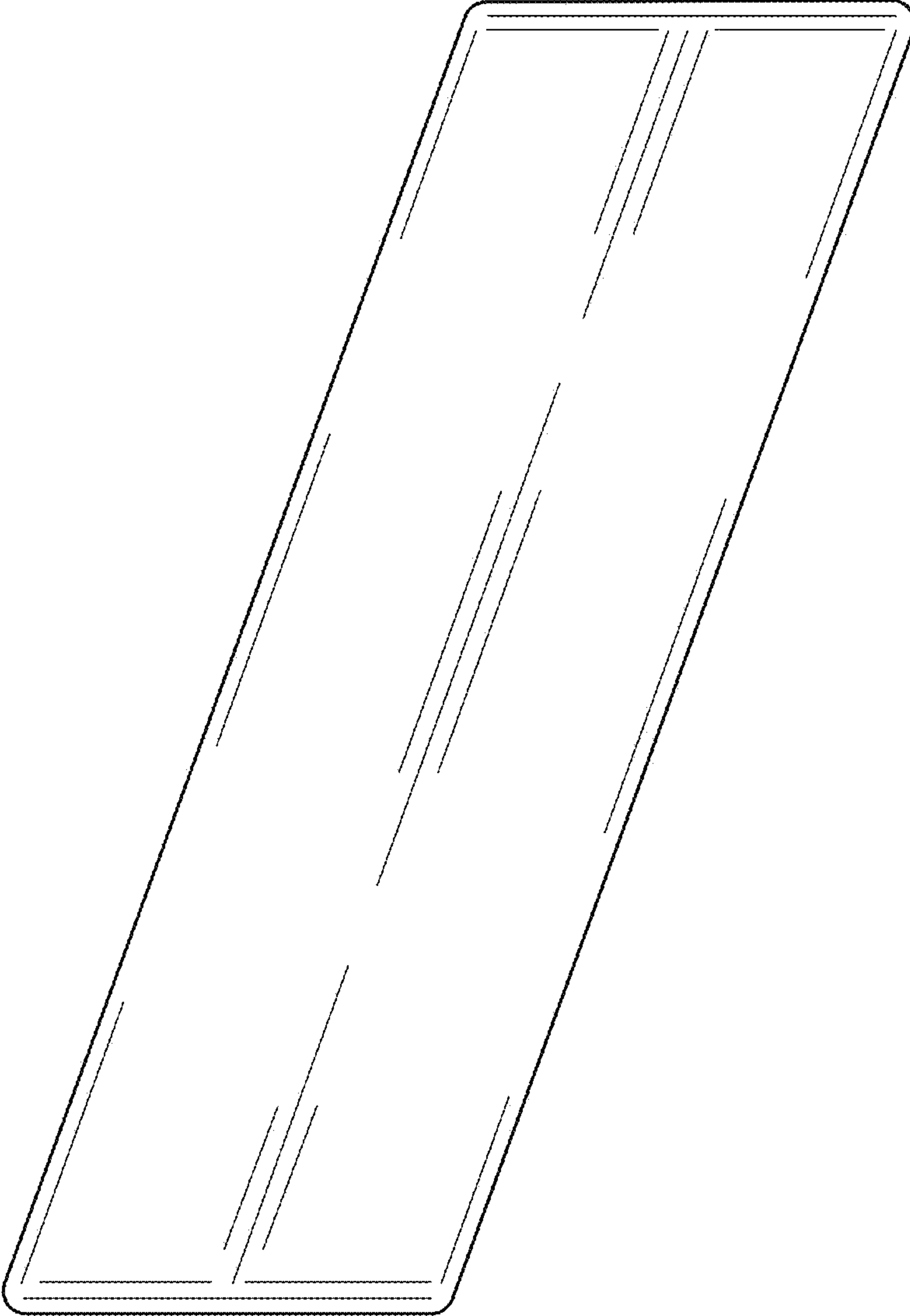


FIG. 2

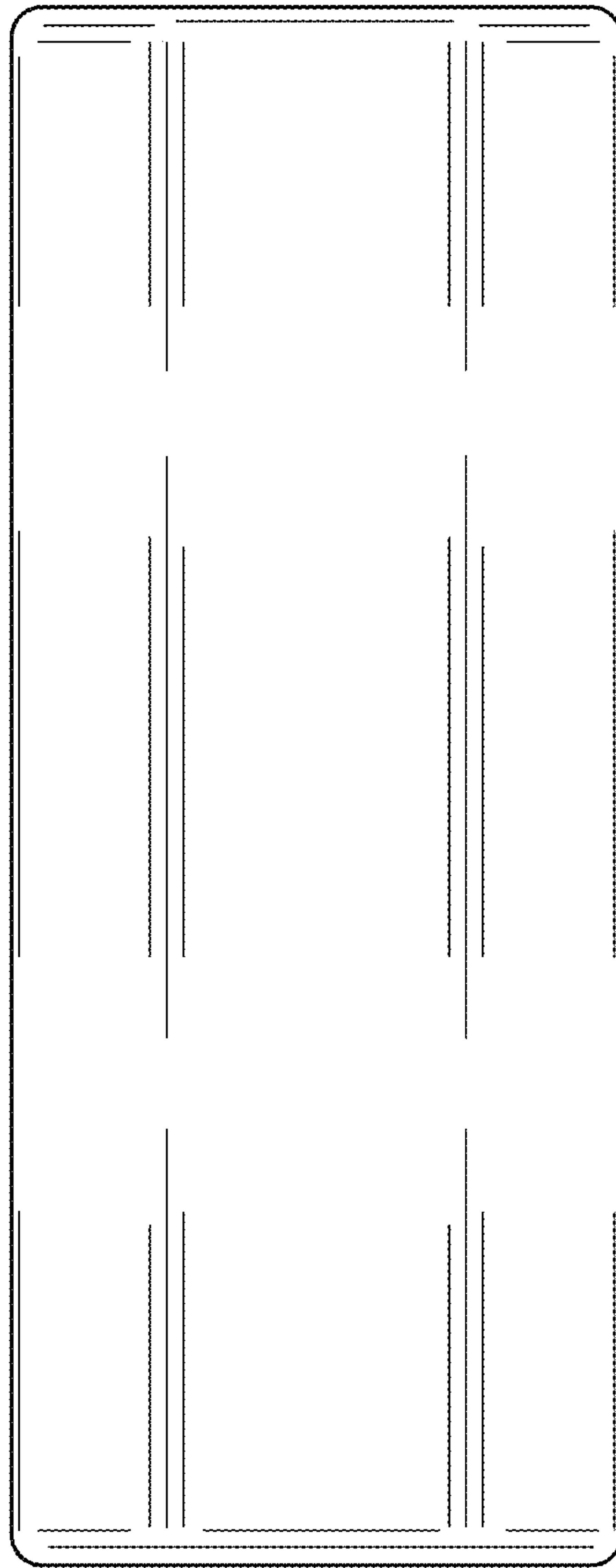


FIG. 3

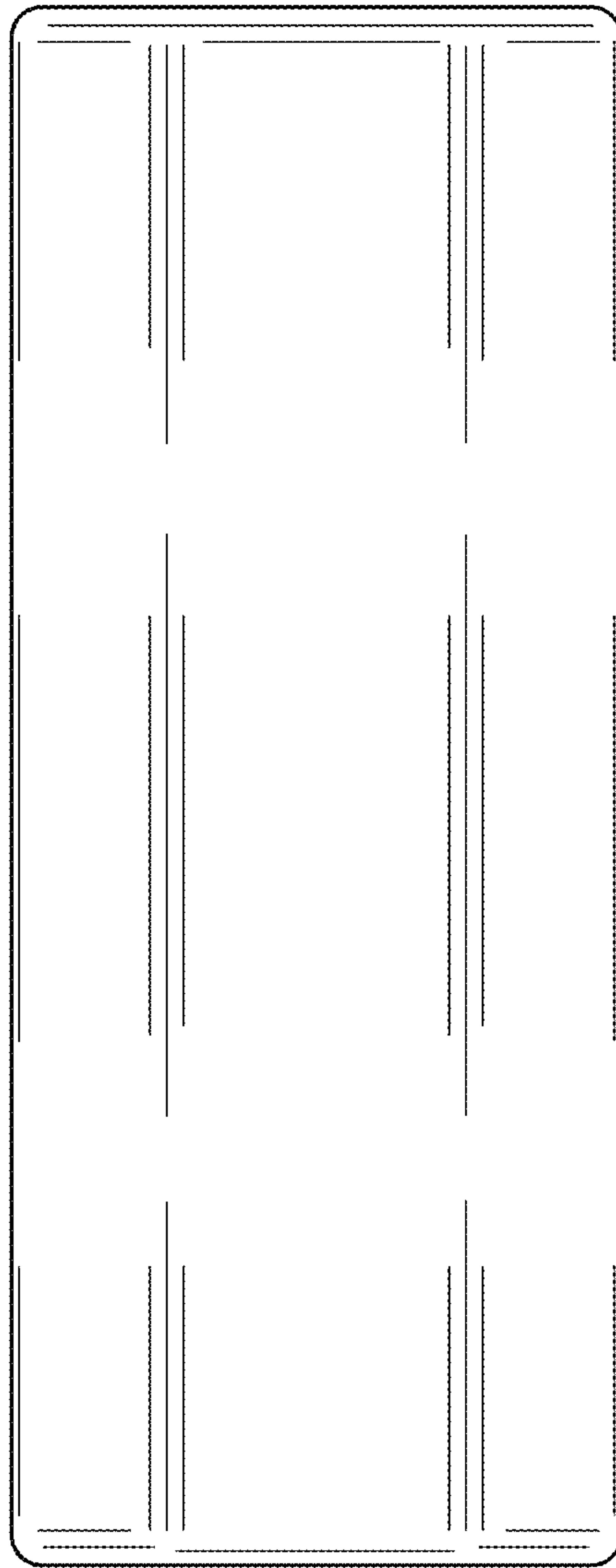


FIG. 4

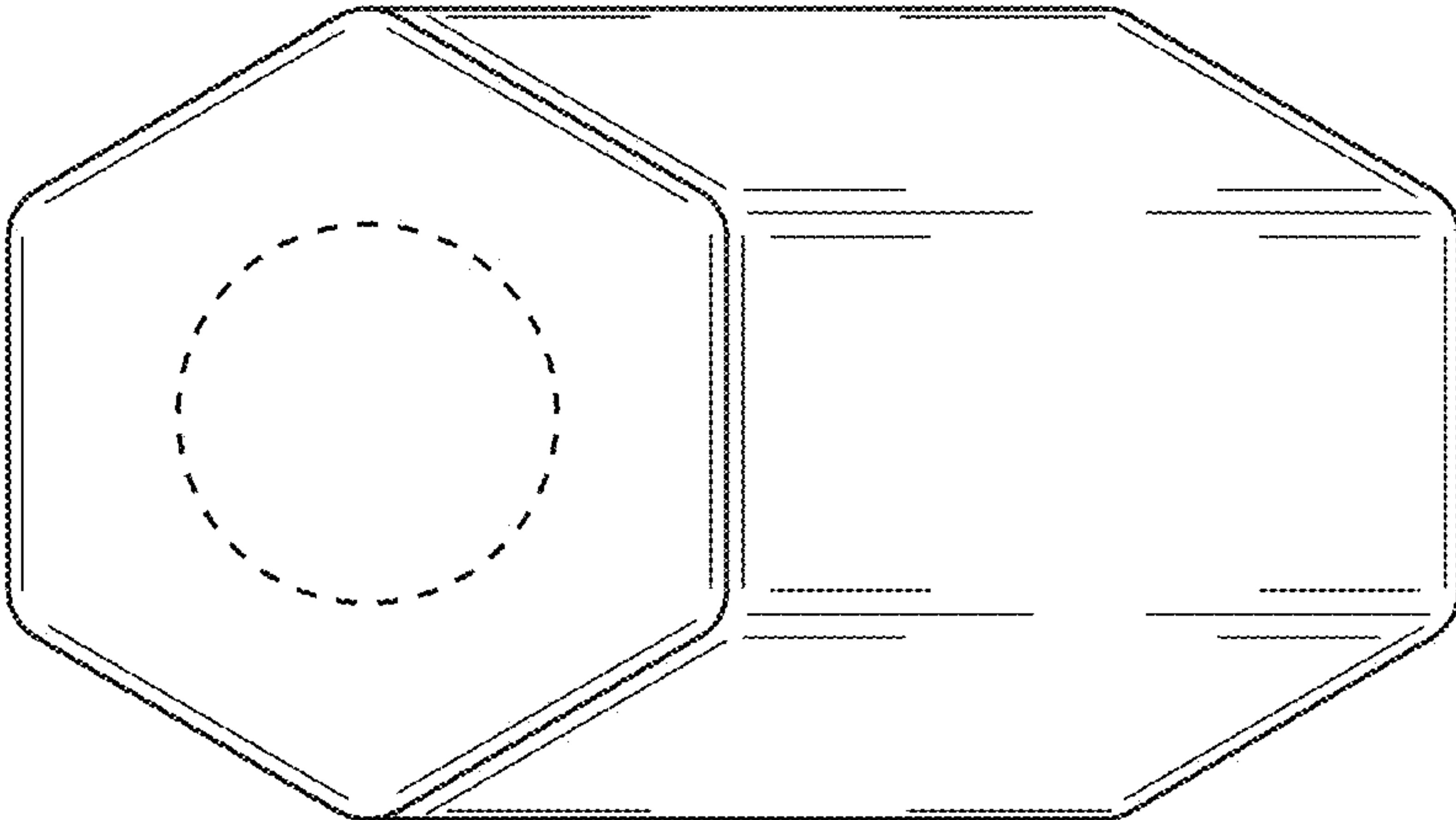


FIG. 5

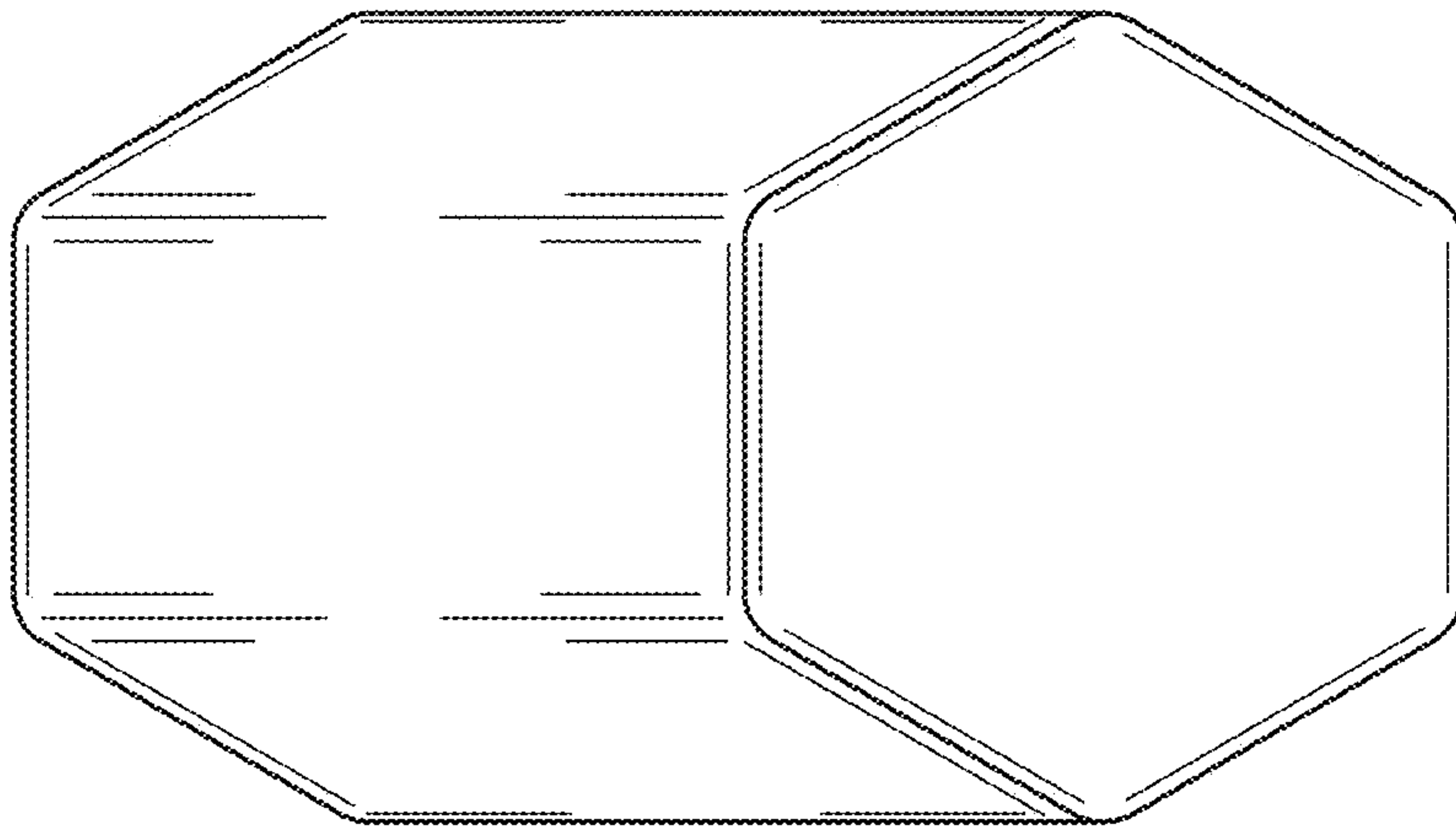


FIG. 6