



US0D1012053S

(12) **United States Design Patent**  
**Lee et al.**

(10) **Patent No.: US D1,012,053 S**  
(45) **Date of Patent: \*\* Jan. 23, 2024**

(54) **TELEVISION RECEIVER**

- (71) Applicant: **LG ELECTRONICS INC.**, Seoul (KR)
- (72) Inventors: **Sangik Lee**, Seoul (KR); **Yooseok Kim**, Seoul (KR); **Jeongrok Lee**, Seoul (KR)
- (73) Assignee: **LG ELECTRONICS INC.**, Seoul (KR)
- (\*\*) Term: **15 Years**
- (21) Appl. No.: **29/819,807**
- (22) Filed: **Dec. 17, 2021**

(30) **Foreign Application Priority Data**

Jun. 21, 2021 (KR) ..... 30-2021-0029490

(51) **LOC (14) Cl.** ..... **14-03**

(52) **U.S. Cl.**  
USPC ..... **D14/126**

(58) **Field of Classification Search**  
USPC ..... D14/125-134, 239, 371, 136, 374-377,  
D14/440, 450, 448, 336, 342, 159;  
D21/333, 433, 448, 452, 450, 331, 505  
CPC ..... G06F 1/16; G06F 1/1601; G06F 1/1063;  
G06F 1/1065; G06F 1/1607; G06F  
1/1611; G06F 1/1616; G06F 1/1618;  
G06F 1/1622; G06F 1/1626; G06F  
1/1641; G06F 1/1643;

(Continued)

(56) **References Cited**

**U.S. PATENT DOCUMENTS**

D562,831 S \* 2/2008 Katagiri ..... D14/451  
D682,228 S \* 5/2013 Lee ..... D14/126

(Continued)

**FOREIGN PATENT DOCUMENTS**

JP D1726013 \* 9/2022  
WO D214392-001 \* 7/2022

**OTHER PUBLICATIONS**

Elecsung Store, "32inch Smart Mirror Bathroom TV . . .", available at amazon.com, date first available Jul. 20, 2021, site visited Apr. 18, 2023, available at URL: <https://a.co/d/jbgeHHn> (Year: 2021).\*

*Primary Examiner* — Daniel J Domino

*Assistant Examiner* — Samina Vieth

(74) *Attorney, Agent, or Firm* — Birch, Stewart, Kolasch & Birch, LLP

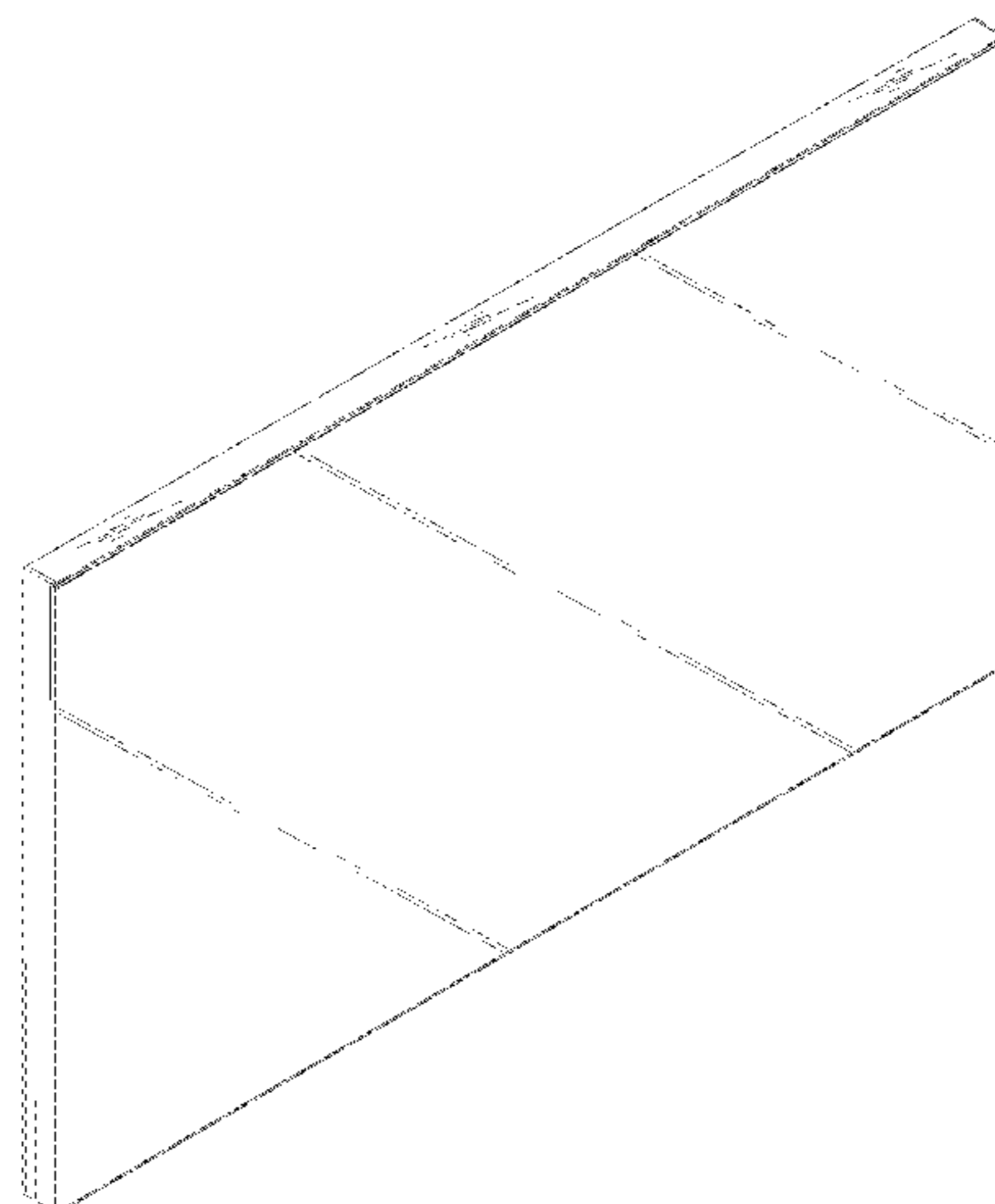
(57) **CLAIM**

The ornamental design for a television receiver, as shown and described.

**DESCRIPTION**

FIG. 1 is a front perspective view of the television receiver showing our new design;  
FIG. 2 is a front view of FIG. 1;  
FIG. 3 is a back view of FIG. 1;  
FIG. 4 is a left side view of FIG. 1;  
FIG. 5 is a right side view of FIG. 1;  
FIG. 6 is a top plan view of FIG. 1;  
FIG. 7 is a bottom plan view FIG. 1;  
FIG. 8 shows the television receiver in a state of use in an open configuration;  
FIG. 9 is an enlarged view of the portion of the claimed design shown within the area designated as 9 in FIG. 4;  
FIG. 10 is an enlarged view of the portion of the claimed design shown within the area designated as 10 in FIG. 5; and,  
FIG. 11 is an enlarged view of the portion of the claimed design shown within the area designated as 11 in FIG. 6.  
The dot-dash broken lines indicate where the enlargements have been taken, and form no part of the claimed design. The dash-dash broken lines depict portions of the television receiver that form no part of the claimed design.

**1 Claim, 11 Drawing Sheets**



(58) **Field of Classification Search**

CPC .... G06F 1/1647; G06F 1/1656; G06F 1/181;  
G06F 1/1684; G06F 1/1686; G06F  
1/1692; H05K 5/03; H05K 5/0217; H05K  
5/0239; H05K 5/0243; H05K 5/0286;  
H04N 5/64

See application file for complete search history.

(56) **References Cited**

U.S. PATENT DOCUMENTS

D709,844 S \* 7/2014 Kim ..... D14/126  
D732,492 S \* 6/2015 Lee ..... D14/126  
D744,438 S \* 12/2015 Kim ..... D14/126  
D808,950 S \* 1/2018 Miele ..... D14/371  
D812,029 S \* 3/2018 Kim ..... D14/126  
D812,030 S \* 3/2018 Kim ..... D14/126  
D817,902 S \* 5/2018 Lee ..... D14/126  
D832,249 S \* 10/2018 Akana ..... D14/315  
D911,300 S \* 2/2021 Park ..... D14/126  
D914,627 S \* 3/2021 Kim ..... D14/126  
D920,940 S \* 6/2021 Lee ..... H04N 5/64  
D14/126  
D922,972 S \* 6/2021 Park ..... D14/126  
D923,595 S \* 6/2021 Jeong ..... D14/126  
D924,188 S \* 7/2021 Park ..... D14/126  
D924,831 S \* 7/2021 Lee ..... D14/138 G  
D937,796 S \* 12/2021 Kim ..... G06F 1/18  
D14/126  
D946,544 S \* 3/2022 Jang ..... B64D 11/00154  
D14/126  
D974,312 S \* 1/2023 Lee ..... D14/126

\* cited by examiner

FIG. 1

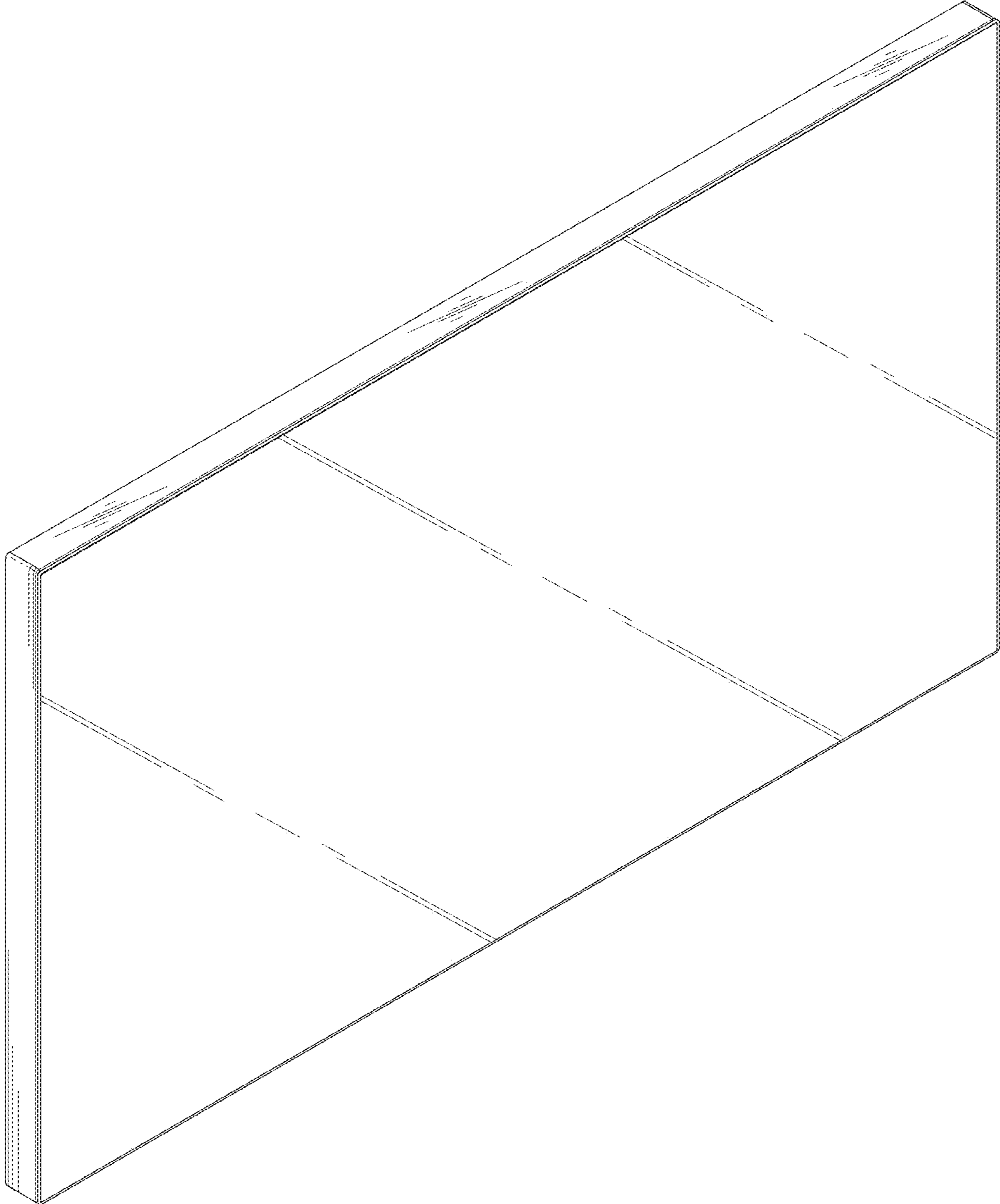


FIG. 2

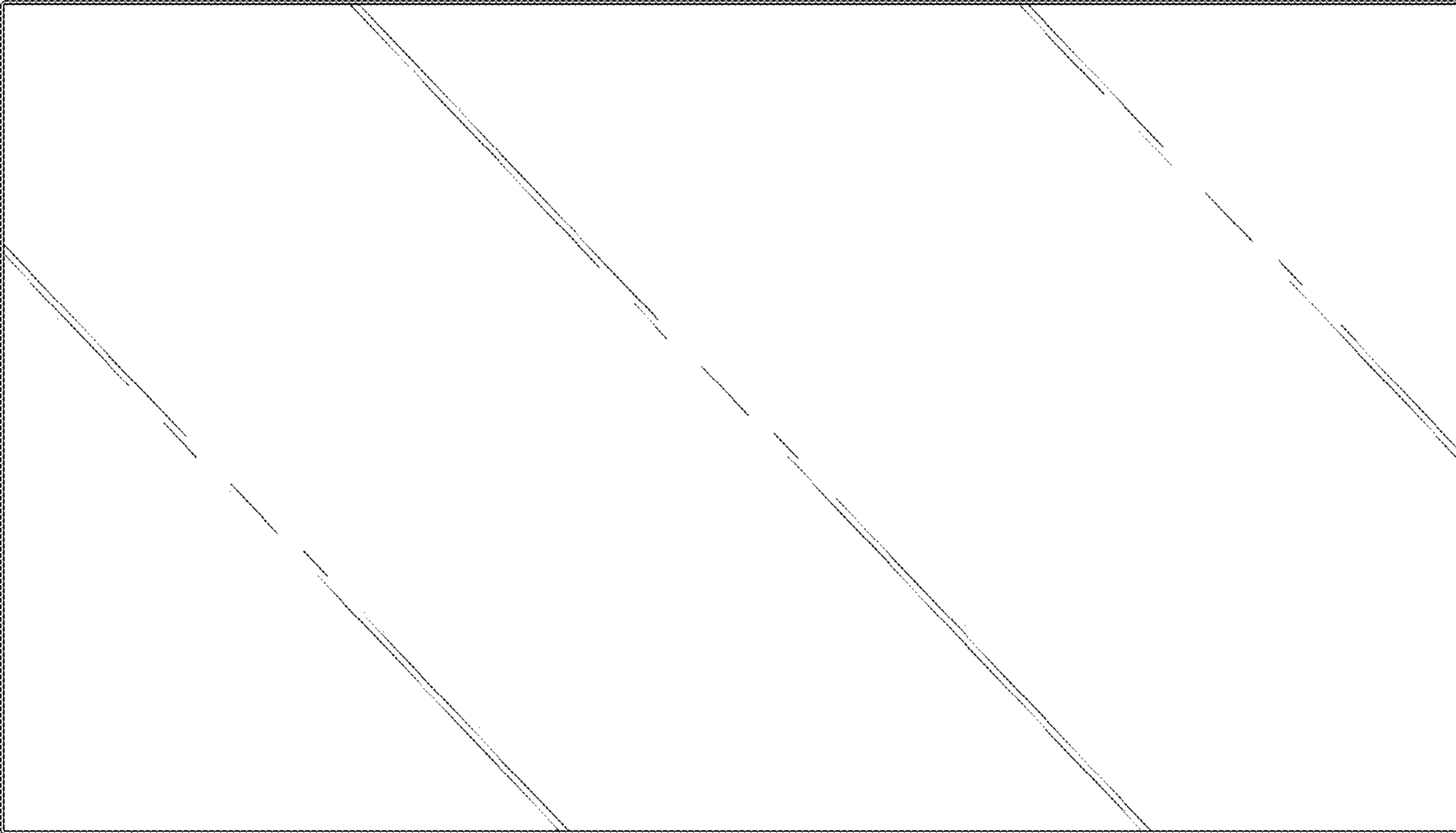


FIG. 3

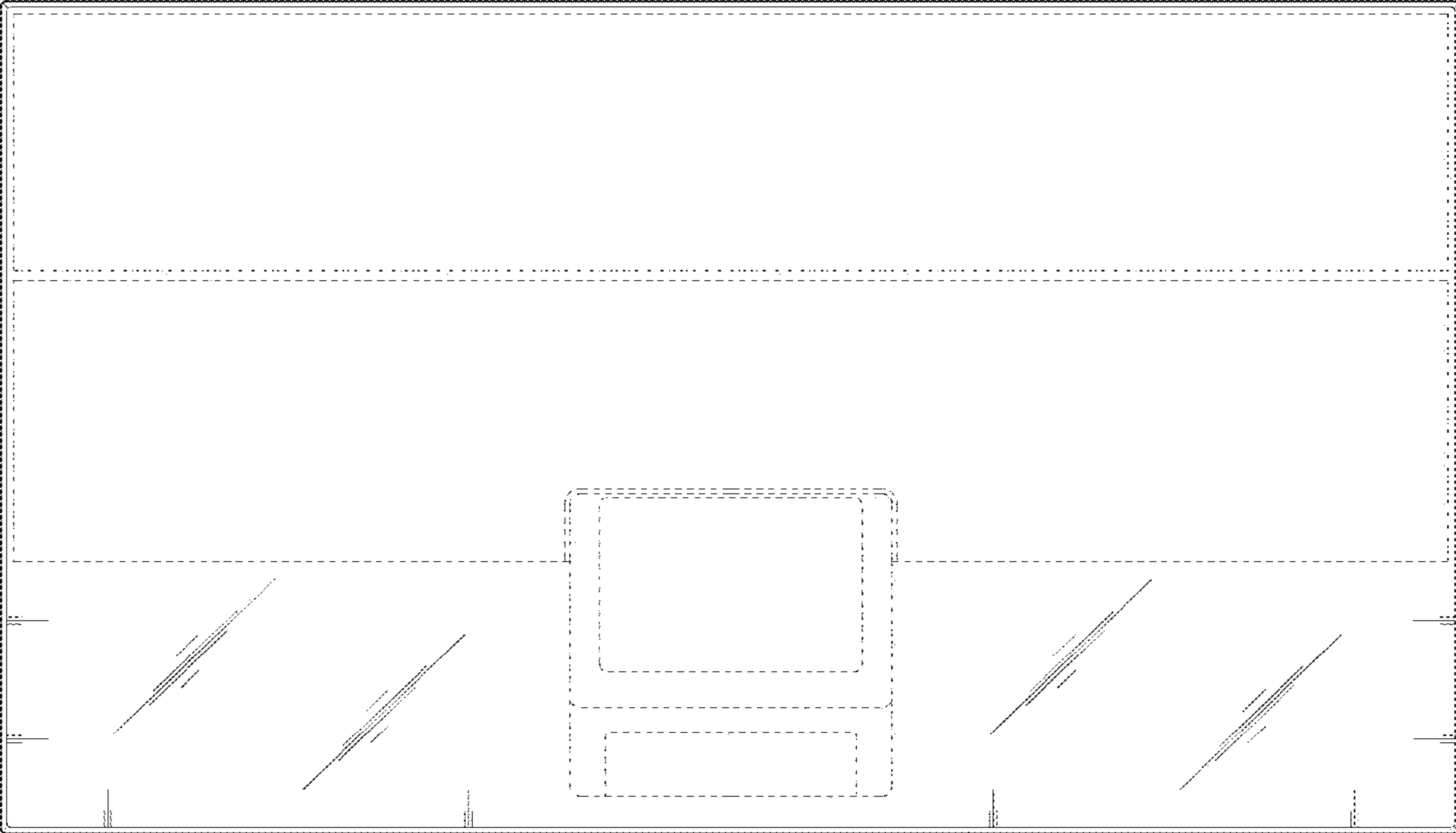


FIG. 4

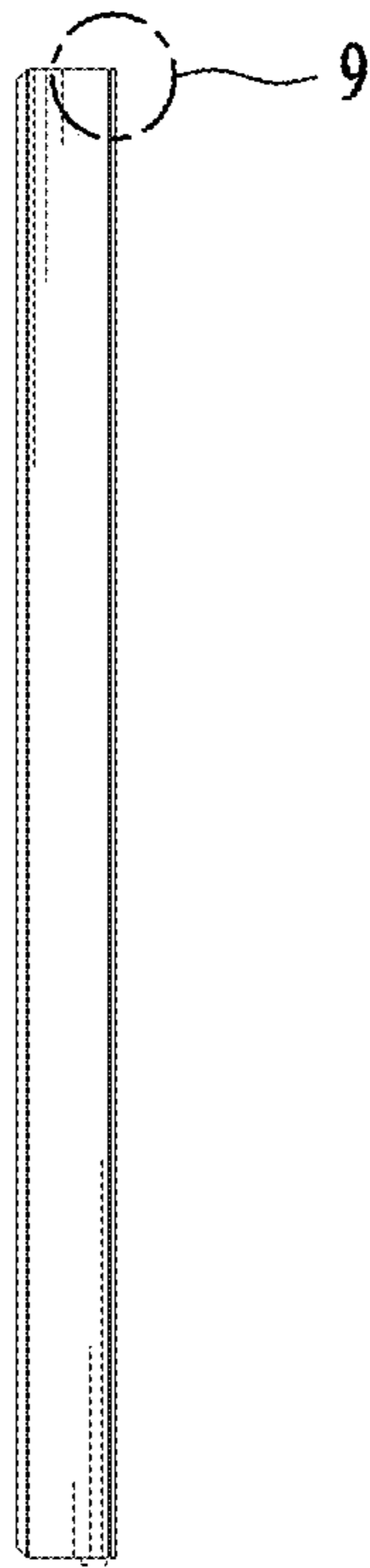


FIG. 5

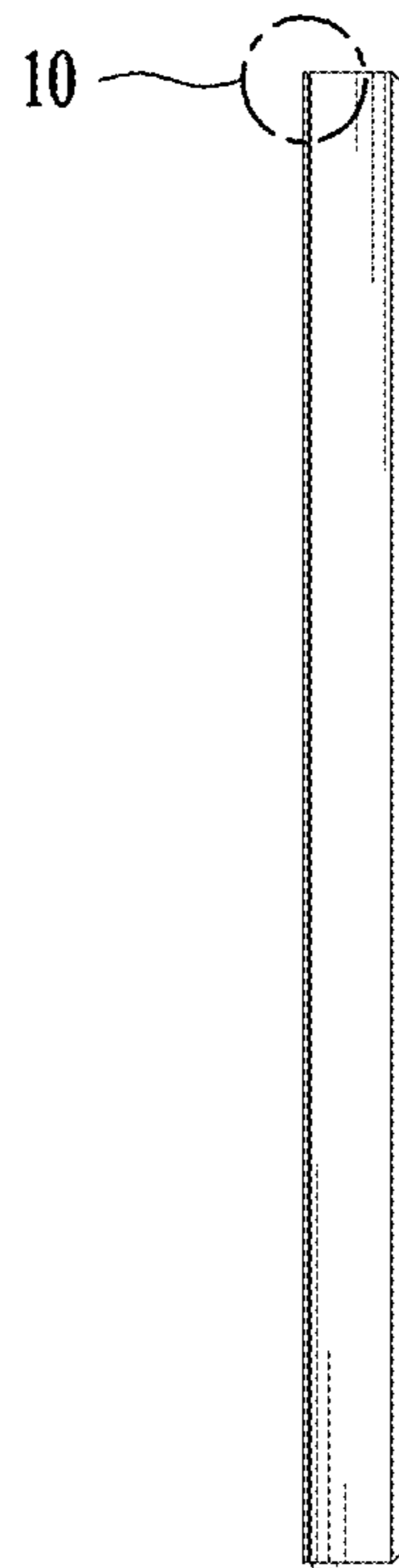


FIG. 6

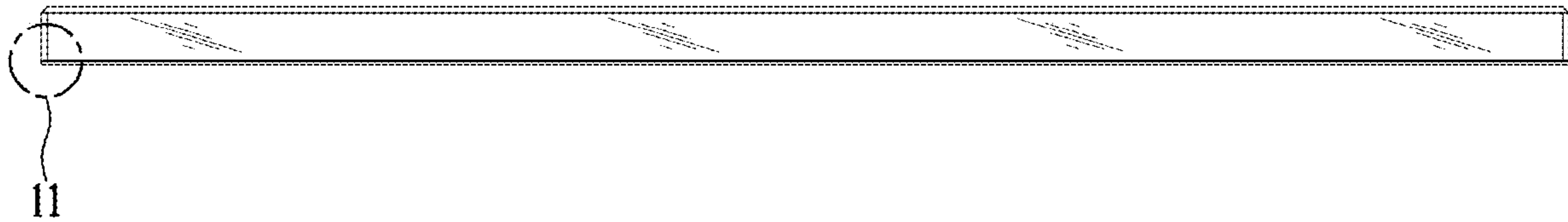




FIG. 7

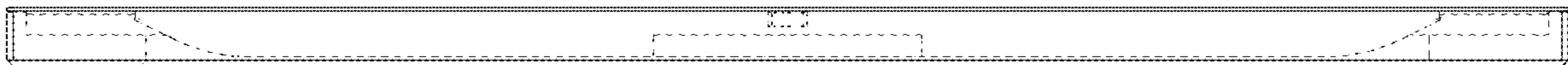


FIG. 8

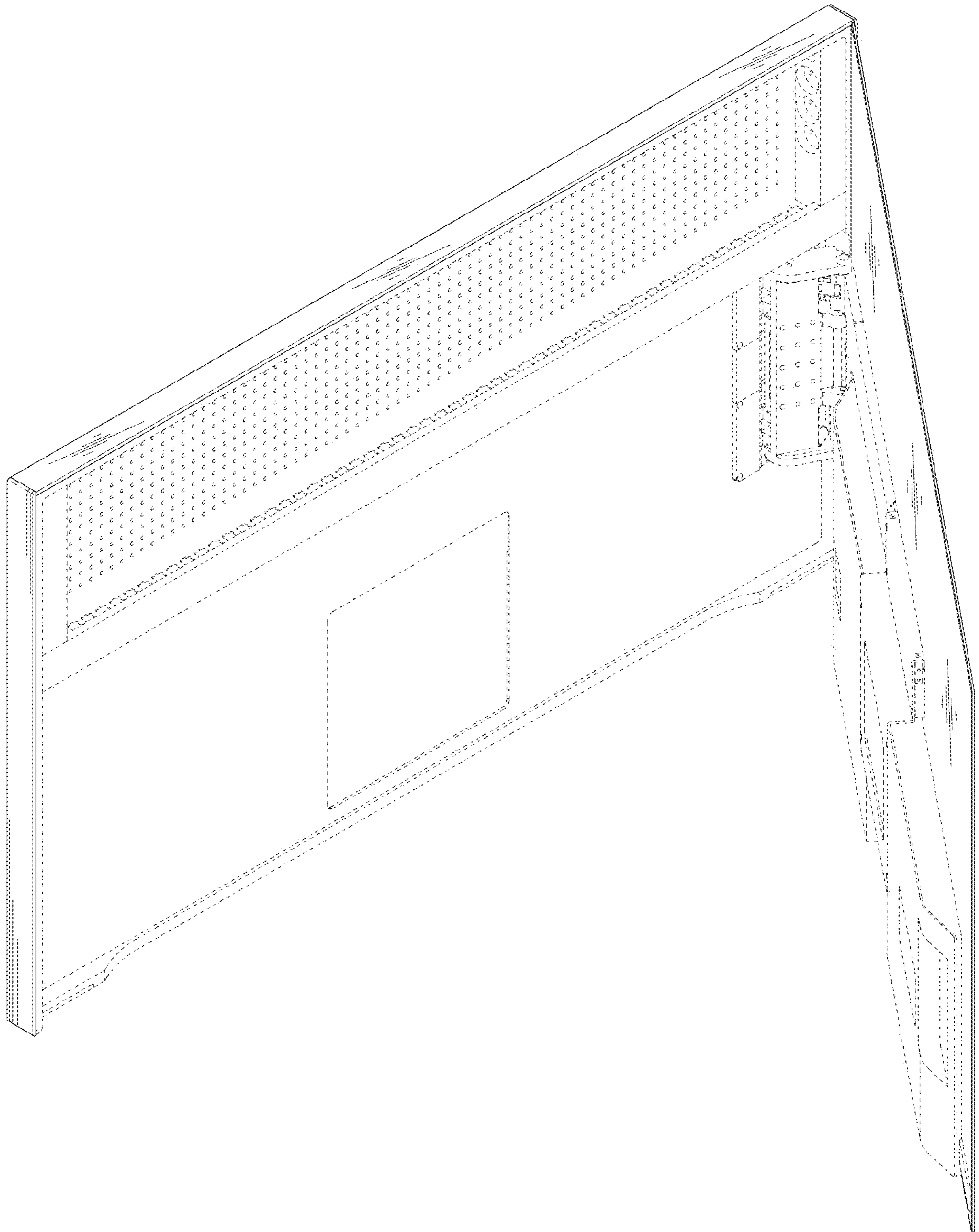


FIG. 9

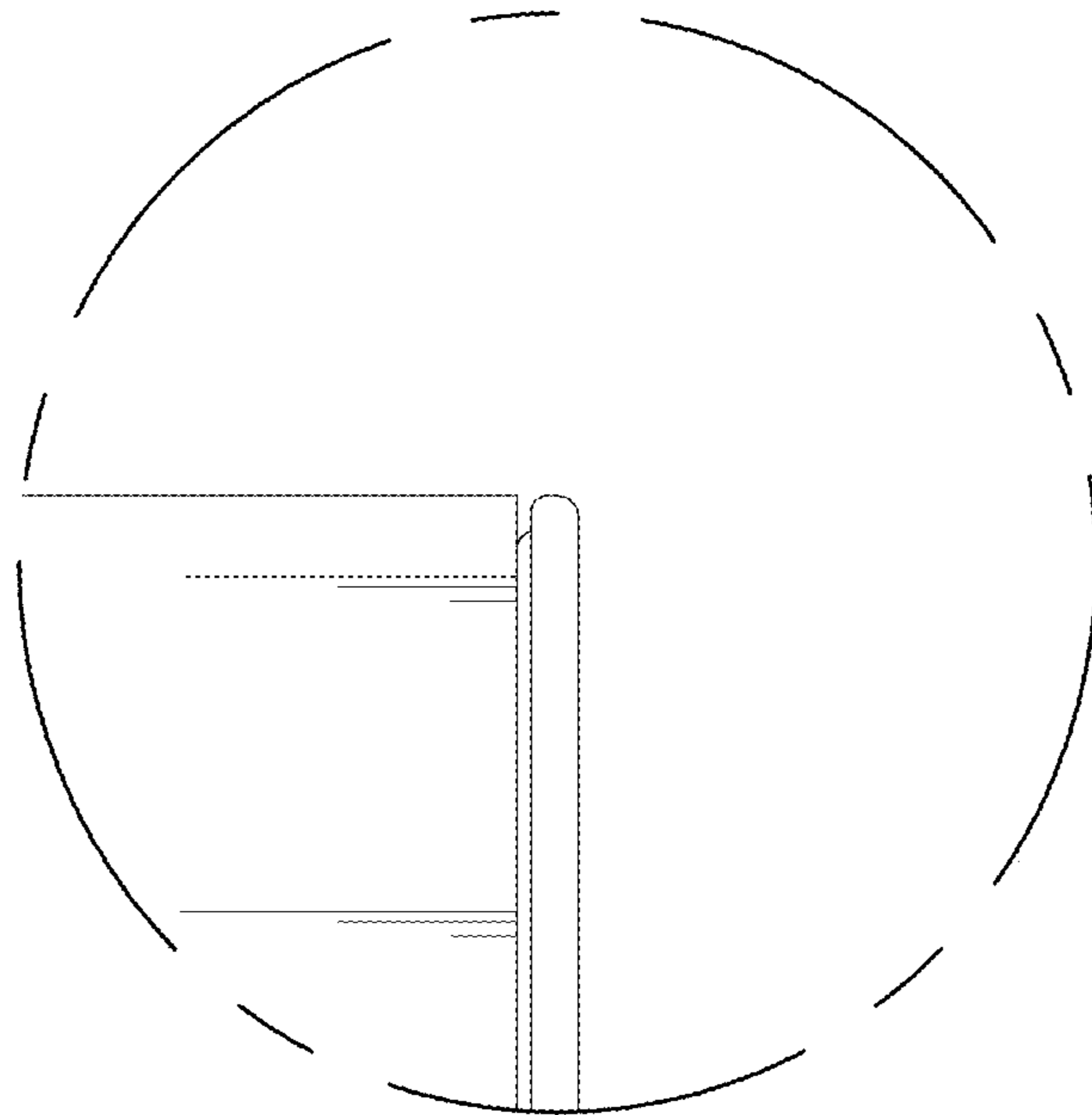


FIG. 10

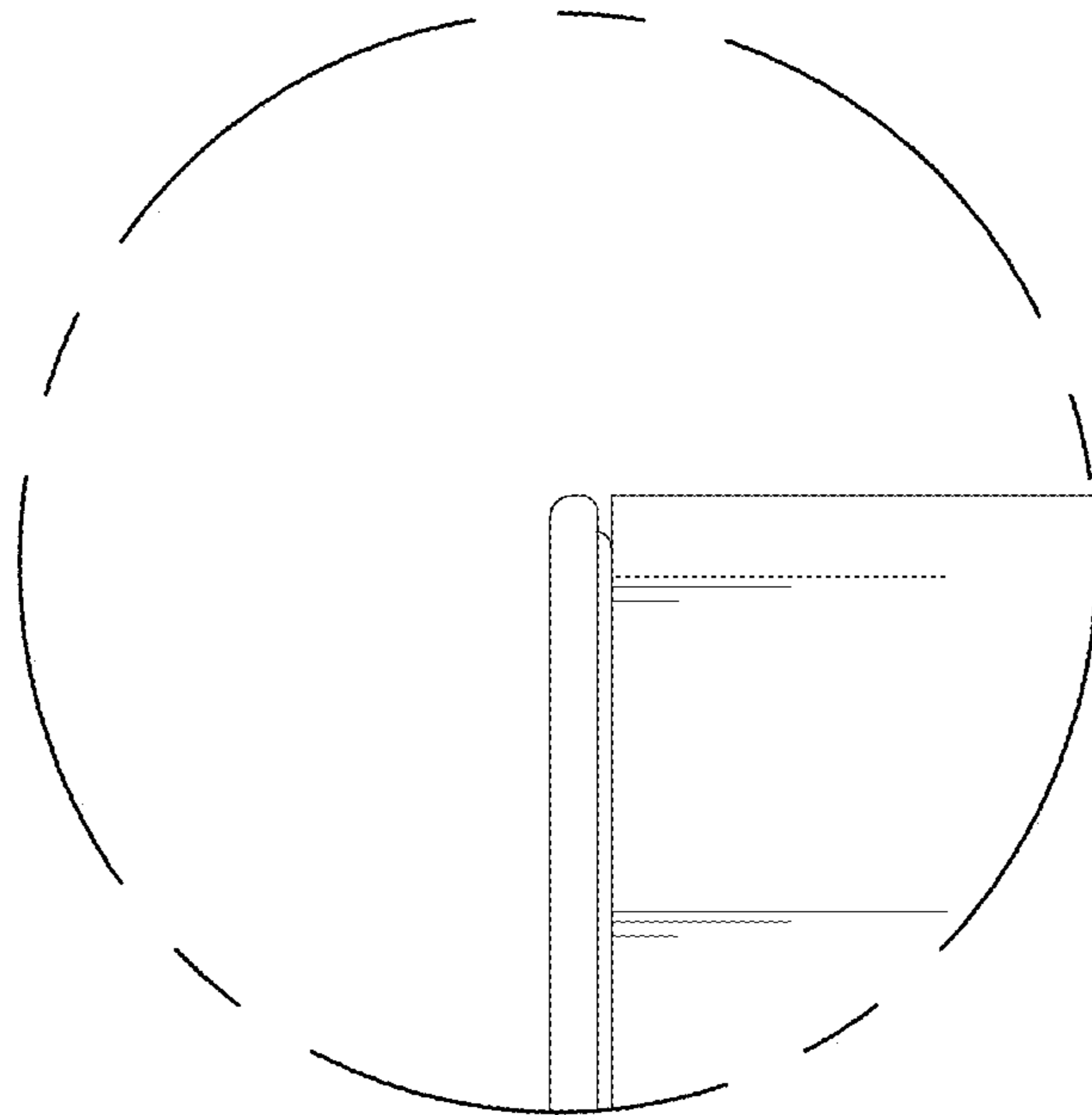


FIG. 11

