



US0D1011880S

(12) **United States Design Patent**  
**Cahalan et al.**

(10) **Patent No.: US D1,011,880 S**  
(45) **Date of Patent: \*\* Jan. 23, 2024**

(54) **WIPES CONTAINER LID**

- (71) Applicant: **Professional Disposables International Inc.**, Orangeburg, NY (US)
- (72) Inventors: **Gerard Cahalan**, New Milford, CT (US); **Josephine Allakpo**, Bronx, NY (US); **Ravi Katara**, Sparta, NJ (US)
- (73) Assignee: **Professional Disposables International Inc.**, Orangeburg, NY (US)

(\*\*) Term: **15 Years**

(21) Appl. No.: **29/778,890**

(22) Filed: **Apr. 15, 2021**

(51) **LOC (14) Cl.** ..... **09-07**

(52) **U.S. Cl.**

USPC ..... **D9/446**; D9/434

(58) **Field of Classification Search**

USPC ..... D7/391, 392.1, 396.2; D9/434–436, 440, D9/443, 447, 449, 454, 499, 428, 446

CPC .... B65D 77/286; B65D 51/002; B65D 25/40; B65D 43/16; B65D 83/08

See application file for complete search history.

(56) **References Cited**

**U.S. PATENT DOCUMENTS**

D217,732 S *	6/1970	Chlystun .....	D7/391
3,868,052 A	2/1975	Rockefeller	
4,262,816 A	4/1981	Margulies	
4,289,262 A	9/1981	Finkelstein	
D263,932 S *	4/1982	Daenen .....	D9/434
4,462,507 A	7/1984	Margulies	
4,534,491 A	8/1985	Norton et al.	
D296,765 S	7/1988	Urion	

(Continued)

**FOREIGN PATENT DOCUMENTS**

EP	3 175 754 A1	6/2017
EP	3 611 112 A1	2/2020

(Continued)

**OTHER PUBLICATIONS**

Packaging Strategies. PDI Healthcare Introduces Dual Access Lid. Aug. 27, 2021. <https://www.packagingstrategies.com/articles/96375-pdi-healthcare-introduces-dual-access-lid> (Year: 2021).\*

(Continued)

*Primary Examiner* — Darcey E Gottschalk

(74) *Attorney, Agent, or Firm* — Merchant & Gould P.C.

(57) **CLAIM**

The ornamental design for a wipes container lid, as shown and described.

**DESCRIPTION**

FIG. 1 is a top, perspective view of a wipes container lid according to the new design;

FIG. 2 is a top plan view of the embodiment of FIG. 1;

FIG. 3 is a bottom plan view of the embodiment of FIG. 1;

FIG. 4 is a back elevation view of the embodiment of FIG. 1;

FIG. 5 is a front elevation view of the embodiment of FIG. 1;

FIG. 6 is a right side elevation view of the embodiment of FIG. 1;

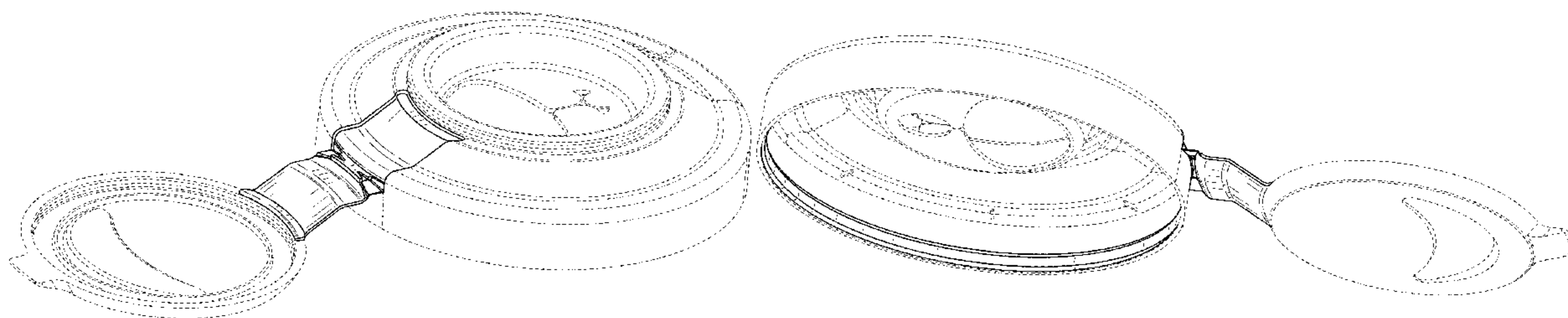
FIG. 7 is a left side elevation view of the embodiment of FIG. 1;

FIG. 8 is a bottom, perspective view of the embodiment of FIG. 1; and,

FIG. 9 is a cross section view taken along the line shown in FIG. 3 of the embodiment of FIG. 1.

In the drawings, the evenly-spaced broken lines show portions of a wipes container lid that form no part of the claim; the dash-dot-dash lines represent boundaries of the claimed design and form no part thereof.

**1 Claim, 8 Drawing Sheets**



(56)

References Cited

U.S. PATENT DOCUMENTS

D353,328 S \* 12/1994 Nuffer ..... D9/446  
 D354,224 S 1/1995 Norton et al.  
 D354,225 S 1/1995 Norton et al.  
 D359,234 S \* 6/1995 Amin ..... D9/446  
 D363,671 S \* 10/1995 Mueller ..... D7/392.1  
 5,467,893 A 11/1995 Landis, II et al.  
 D364,810 S \* 12/1995 Meisner ..... D9/446  
 5,516,001 A 5/1996 Muckenfuhs et al.  
 5,560,514 A 10/1996 Frazier  
 5,938,013 A 8/1999 Palumbo et al.  
 D418,059 S 12/1999 Hill  
 6,152,322 A 11/2000 Marino  
 6,321,923 B1 11/2001 Wood  
 6,364,101 B1 4/2002 Schultz  
 6,409,044 B1 6/2002 Brown et al.  
 6,554,156 B1 4/2003 Chong  
 D479,996 S 9/2003 Geib  
 6,786,447 B2 9/2004 Geib et al.  
 D498,623 S 11/2004 Sams et al.  
 6,889,867 B1 5/2005 Smith  
 D531,499 S 11/2006 Zaidman  
 D542,652 S 5/2007 Moribata et al.  
 D544,346 S 6/2007 Karussi et al.  
 7,303,092 B2 12/2007 Sarbo et al.  
 7,422,126 B2 9/2008 Ceschi  
 7,510,095 B2 3/2009 Comeau et al.  
 D596,028 S 7/2009 Bartolucci et al.  
 7,731,057 B2 6/2010 Evans et al.  
 D624,414 S 9/2010 Benoit-Gonin et al.  
 7,997,444 B2 8/2011 Martins  
 D645,339 S \* 9/2011 Oakes ..... D9/425  
 8,262,832 B2 9/2012 Hebert et al.  
 D671,426 S 11/2012 Pickens et al.  
 D676,318 S \* 2/2013 MacNeill ..... D9/446  
 8,474,651 B2 7/2013 Simkins  
 D703,534 S 4/2014 Yamada  
 D703,535 S 4/2014 Yamada  
 D704,057 S 5/2014 Bar-Tal et al.  
 8,777,030 B2 7/2014 Ziegenhorn et al.  
 8,931,663 B1 1/2015 Evans et al.  
 9,095,243 B2 8/2015 Ray et al.  
 D741,181 S 10/2015 Bar-Tal et al.  
 9,309,041 B2 4/2016 Mabee et al.  
 9,399,540 B2 7/2016 Bushman et al.  
 D763,074 S 8/2016 Neitzel  
 D771,489 S 11/2016 Azelton et al.  
 9,498,091 B2 11/2016 Yamada  
 D776,533 S \* 1/2017 Kikel ..... D9/446  
 D784,808 S \* 4/2017 Berroa Garcia ..... D9/434  
 9,643,766 B1 5/2017 Huffer  
 9,974,419 B2 5/2018 Azelton et al.  
 9,975,290 B2 5/2018 Davis et al.

D819,456 S 6/2018 Martin  
 10,039,425 B2 8/2018 Azelton et al.  
 D836,433 S 12/2018 Cahalan  
 D837,661 S 1/2019 Hugley  
 10,231,582 B2 3/2019 Mehdizadeh  
 10,472,141 B2 11/2019 Wang  
 10,518,942 B2 12/2019 Seibert et al.  
 10,526,127 B2 1/2020 Leung et al.  
 D881,006 S \* 4/2020 Prentice ..... D9/446  
 10,676,271 B2 6/2020 Frank  
 10,722,082 B2 7/2020 Dansreau et al.  
 D900,619 S \* 11/2020 Beardsall ..... D9/741  
 D902,715 S 11/2020 Yu  
 D908,490 S 1/2021 Trombley et al.  
 10,894,656 B2 1/2021 Lange et al.  
 D918,652 S \* 5/2021 Pearce ..... D7/396.2  
 11,439,281 B2 \* 9/2022 Azelton ..... A47K 10/3818  
 D993,024 S \* 7/2023 Conder ..... D9/446  
 2001/0020632 A1 9/2001 De Oliveira et al.  
 2003/0080018 A1 5/2003 Nally  
 2005/0061826 A1 3/2005 Long et al.  
 2005/0230408 A1 10/2005 Seager  
 2008/0110920 A1 5/2008 Hlista et al.  
 2009/0114669 A1 5/2009 Decker et al.  
 2009/0289077 A1 11/2009 Melin et al.  
 2010/0072218 A1 3/2010 Meyer et al.  
 2010/0078443 A1 4/2010 Hoefing et al.  
 2010/0133287 A1 6/2010 Tramontina et al.  
 2010/0224643 A1 9/2010 Daggett  
 2013/0081970 A1 4/2013 Dietvorst  
 2014/0021219 A1 1/2014 Honan et al.  
 2014/0144803 A1 5/2014 Yamada  
 2014/0190983 A1 7/2014 Sanguinet et al.  
 2017/0036835 A1 2/2017 Duncan  
 2019/0069732 A1 3/2019 Miura  
 2020/0405102 A1 12/2020 Azelton et al.

FOREIGN PATENT DOCUMENTS

EP 3 636 124 A2 4/2020  
 JP 2019-142555 A 8/2019  
 KR 10-2017-0028552 A 3/2017  
 WO 2008/110770 A1 9/2008  
 WO 2014/73334 A1 5/2014  
 WO 2015/069257 A1 5/2015

OTHER PUBLICATIONS

Youtube. Super Sani-Cloth® Disinfecting Wipes In-Service Training Video. PDI Healthcare. May 6, 2021. <https://www.youtube.com/watch?v=vwyrF3xx9jU> (Year: 2021).\*

Youtube. The Dual Access Lid by PDI. PDI Healthcare. Aug. 9, 2021. <https://www.youtube.com/watch?v=inj0bGAoXus> (Year: 2021).\*

\* cited by examiner

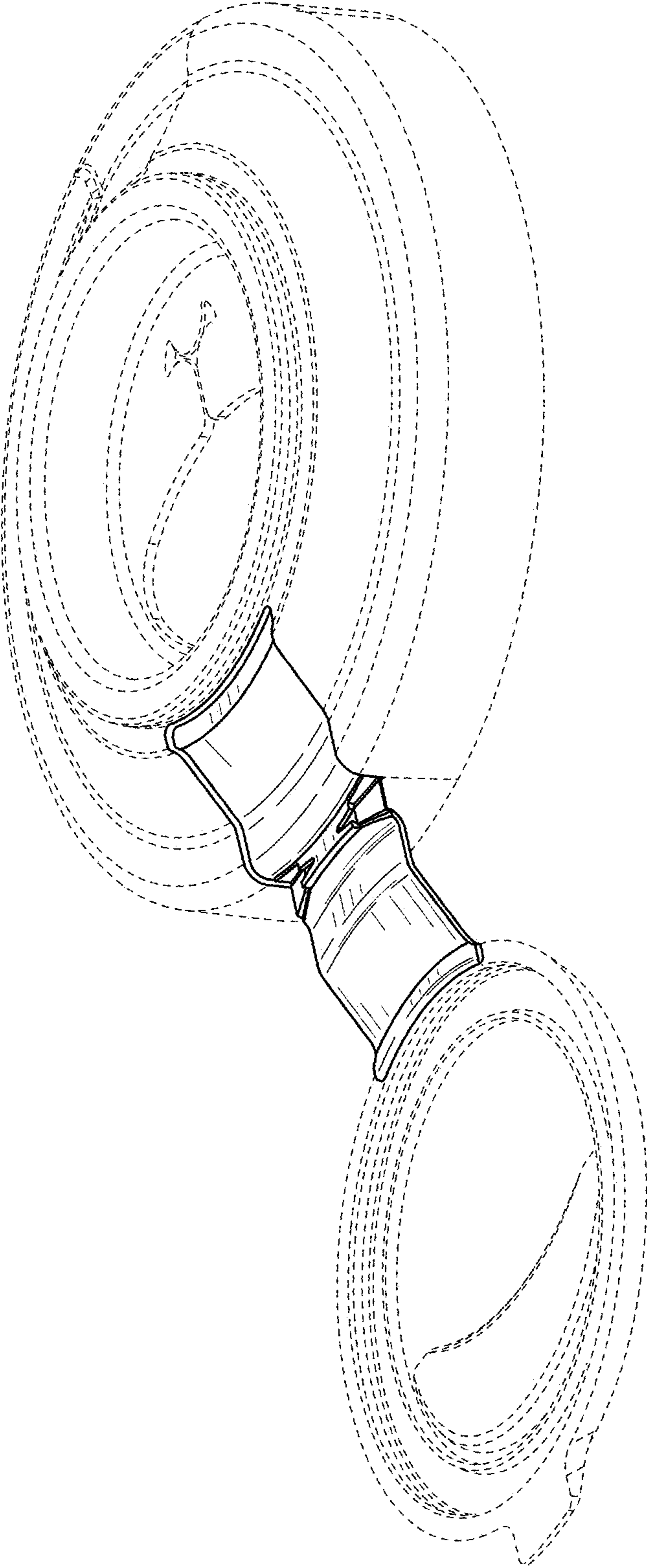


FIG. 1

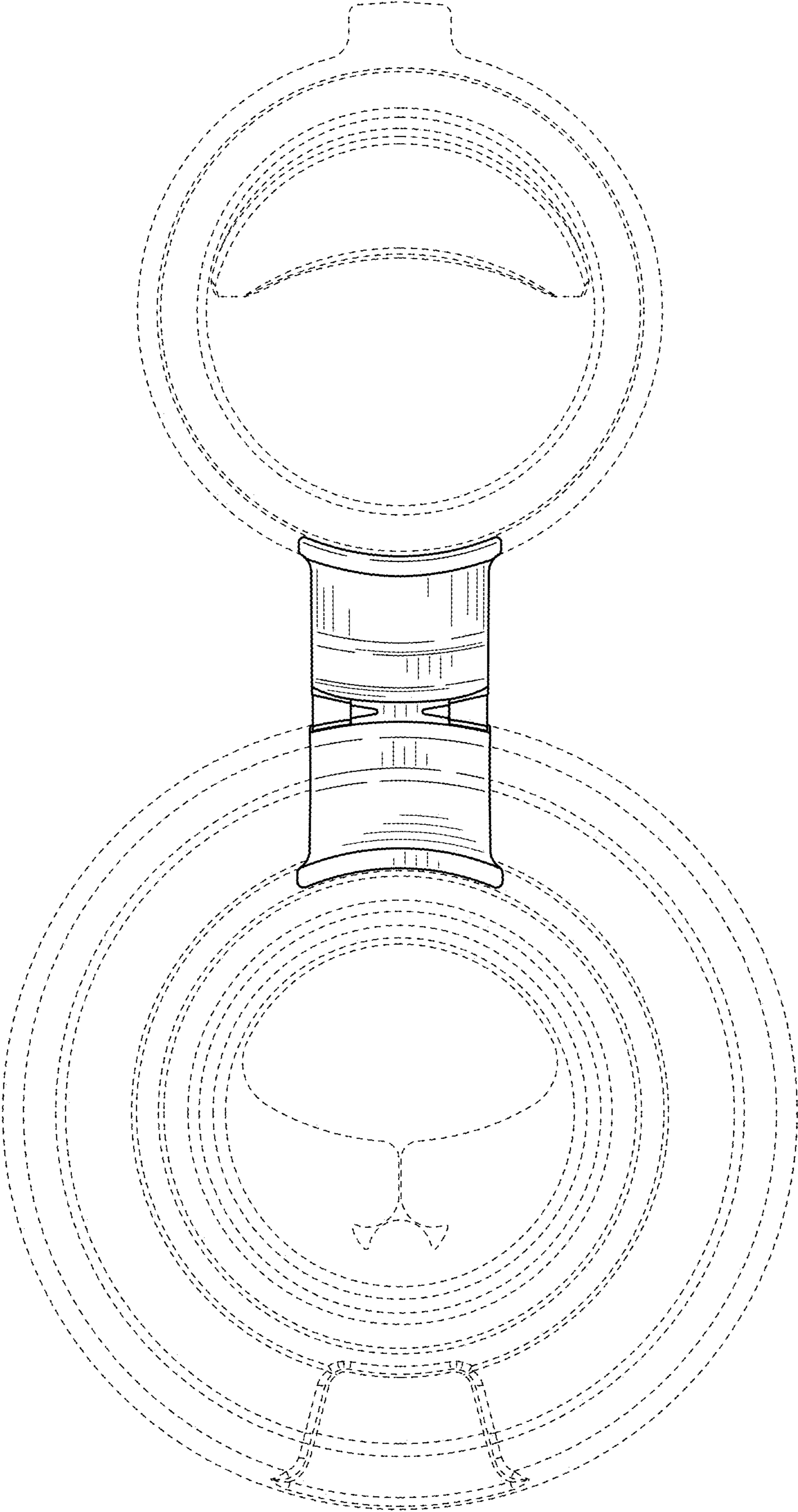


FIG. 2

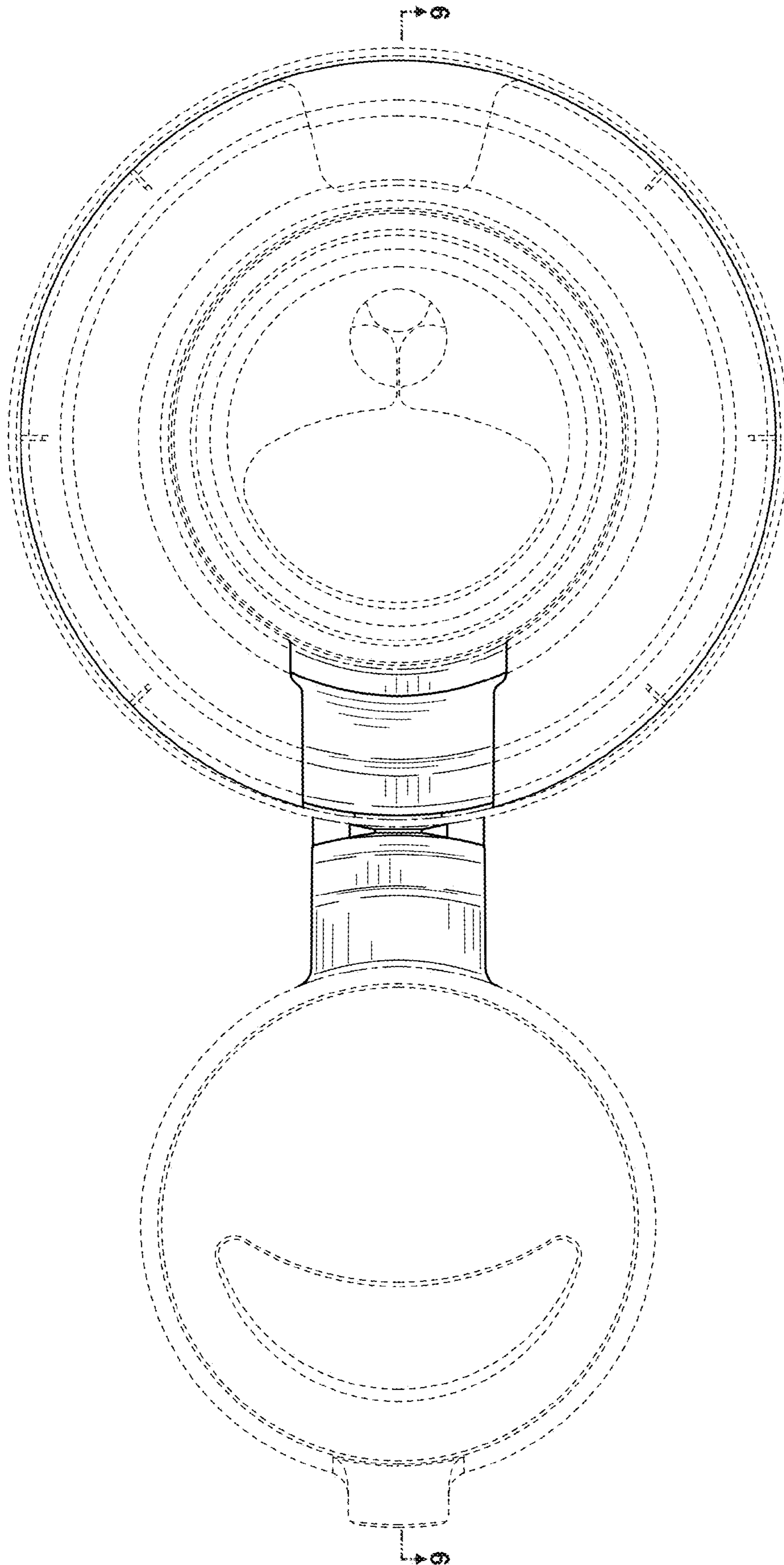


FIG. 3

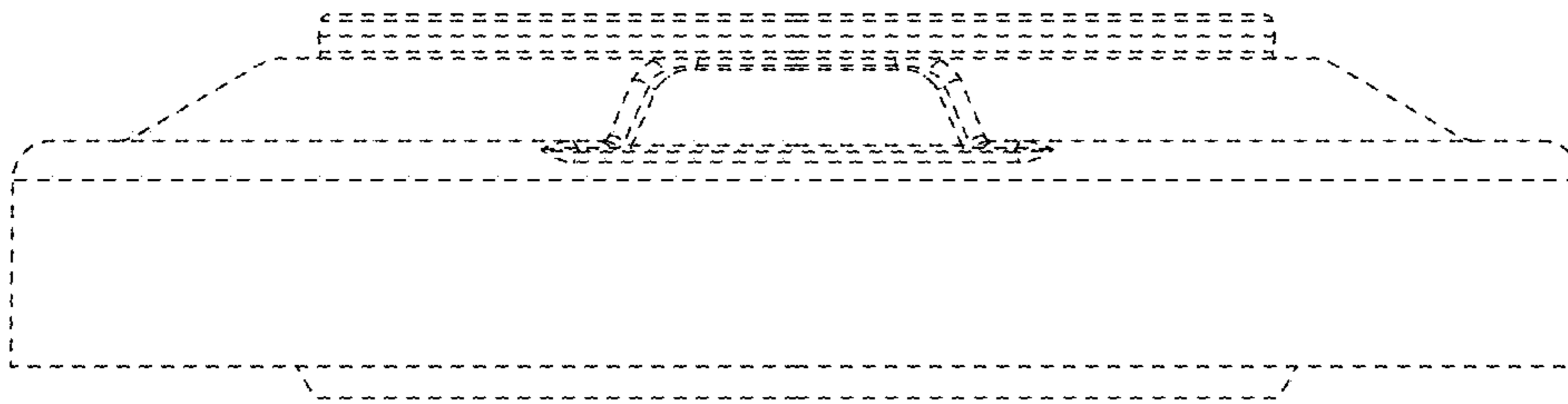


FIG. 5

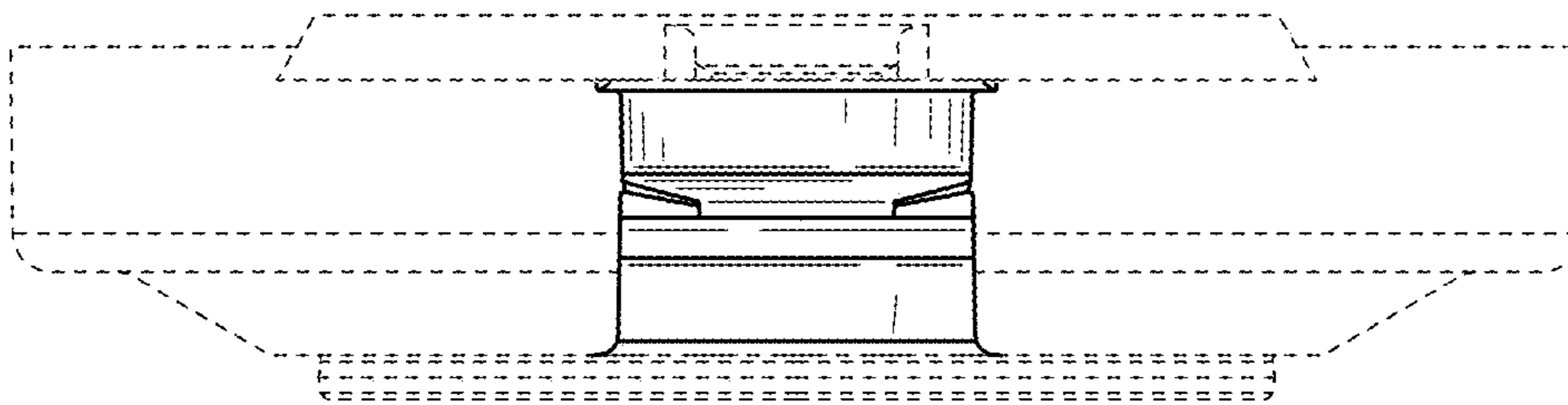


FIG. 4

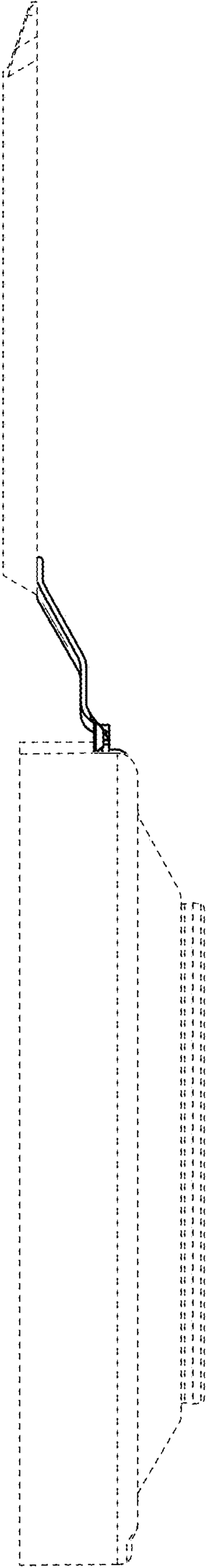


FIG. 6

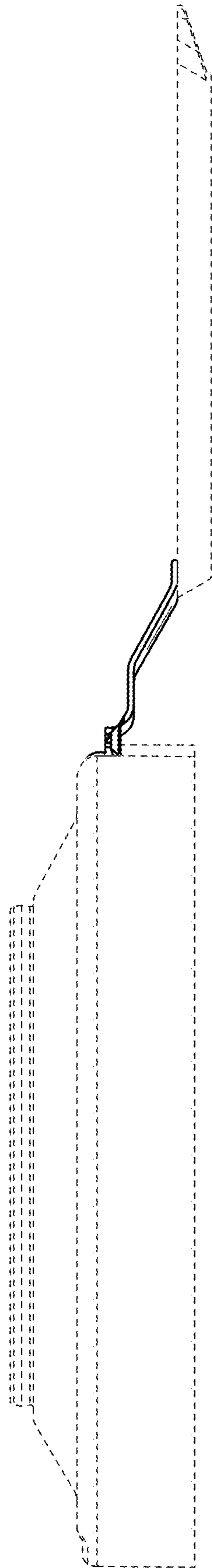


FIG. 7



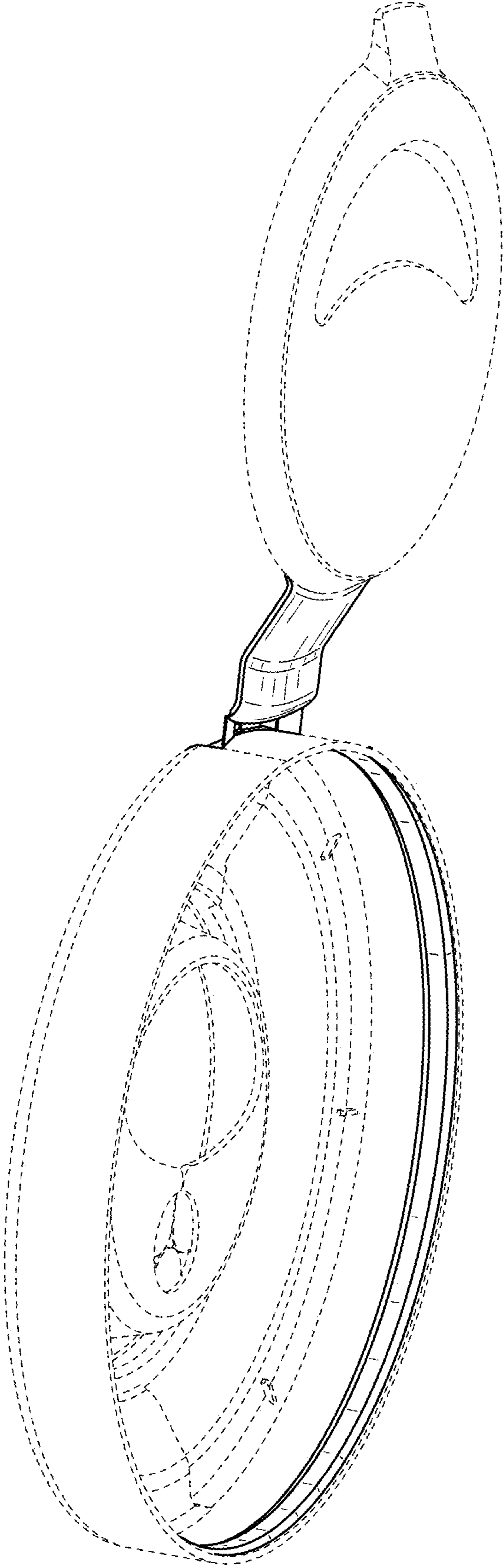


FIG. 8

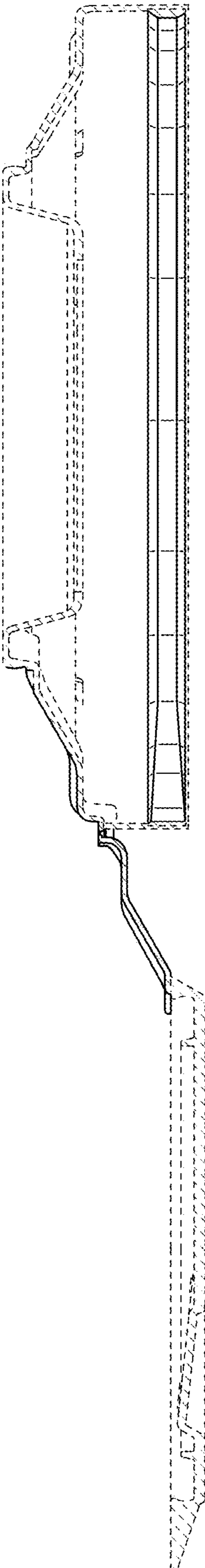


FIG. 9