



US0D1011829S

(12) **United States Design Patent** (10) **Patent No.:** **US D1,011,829 S**
Collins et al. (45) **Date of Patent:** **** Jan. 23, 2024**

(54) **CONTAINER**

(71) Applicant: **Cana Technology, Inc.**, Redwood City, CA (US)

(72) Inventors: **David M. Collins**, Portland, OR (US); **Douglas B. Satzger**, Menlo Park, CA (US); **Nicholas D. Posner**, Redwood City, CA (US); **Anthony Prats**, San Francisco, CA (US); **Matthew Ambauen**, San Francisco, CA (US); **Matthew Mahar**, Redwood City, CA (US); **Gregory Allen Springer**, Los Altos, CA (US); **Kristopher Bernardo Dos Santos**, San Francisco, CA (US); **Andrew Scott Davies**, Oakland, CA (US); **Shaun Lind**, Sausalito, CA (US)

(73) Assignee: **PALM MASS CUSTOMIZATION, LLC**, Somerville, MA (US)

(**) Term: **15 Years**

(21) Appl. No.: **29/831,361**

(22) Filed: **Mar. 18, 2022**

(51) **LOC (14) Cl.** **07-06**

(52) **U.S. Cl.**
USPC **D7/397**

(58) **Field of Classification Search**
USPC D7/300, 301, 305, 306, 307, 308, 309, D7/310, 311, 312, 313, 397, 398, 399
CPC A47G 19/12; A47G 23/0216; A47G 19/2227; A47G 19/2288; A47G 23/0241; A47G 19/14; A47G 19/2205; A47G 19/30; A47G 19/2272; A47G 19/22; A47J 43/27; A47J 31/02; A47J 31/057; B65D 1/265; B65D 2543/00296; B65D 2543/00092

See application file for complete search history.

(56) **References Cited**

U.S. PATENT DOCUMENTS

D284,835	S	*	7/1986	Banks	D9/572
D287,691	S	*	1/1987	Conti	D7/392.1
4,653,671	A	*	3/1987	Duffy	A47G 23/0258 220/345.2
D317,547	S	*	6/1991	Gecchelin	D7/319
D324,320	S	*	3/1992	Pedersen	D7/316
D332,544	S	*	1/1993	Steiner	D9/523
D335,239	S	*	5/1993	Crunden	D7/316
D366,387	S	*	1/1996	Malmborg	D7/312
D369,755	S	*	5/1996	Burcham	D7/612
D524,087	S	*	7/2006	Ali	D7/319
D594,689	S	*	6/2009	Bodum	D7/319
D654,754	S	*	2/2012	Zoppellari	D7/313
D677,101	S	*	3/2013	Mullins	D7/313
D682,003	S	*	5/2013	Kuzmin	D7/319

(Continued)

Primary Examiner — Joseph Kukella

Assistant Examiner — Darryl J Dardenne

(74) *Attorney, Agent, or Firm* — Daylight Law, P.C.

(57) **CLAIM**

The ornamental design for a container, as shown and described.

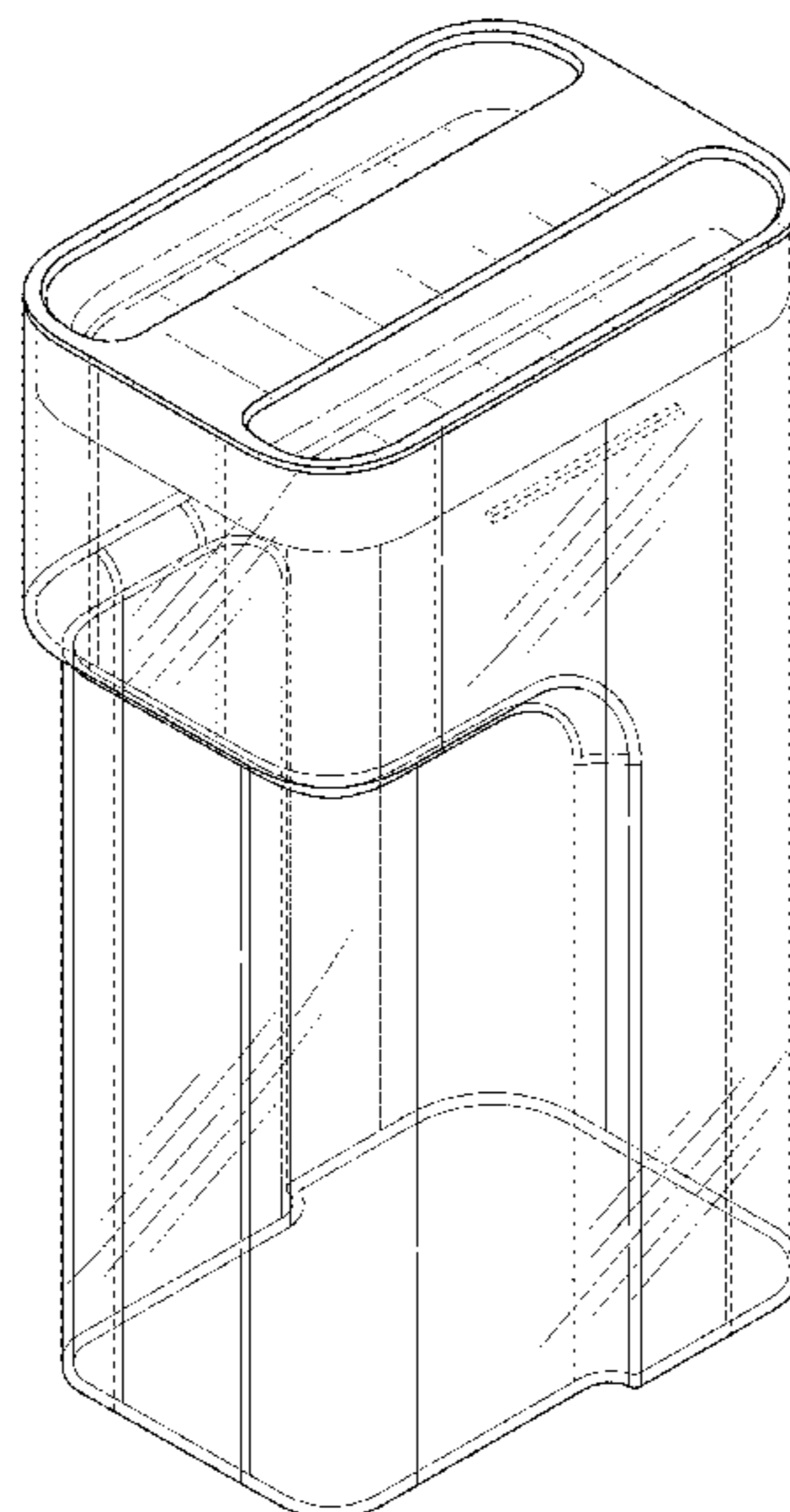
DESCRIPTION

FIG. 1 is a top-front-right perspective view of a container showing our new design;
FIG. 2 is a top-back-left perspective view thereof;
FIG. 3 is a front view thereof;
FIG. 4 is a back view thereof;
FIG. 5 is a right-side view thereof;
FIG. 6 is a left-side view thereof;
FIG. 7 is a top view thereof; and,
FIG. 8 is a bottom view thereof.

The broken lines in FIGS. 1, 2, 4, 5 and 6 depict portions of the container that form no part of the claimed design.

The claimed design can be applied to fluid mixture dispensing systems, and more specifically as a water reservoir for fluid mixture dispensing systems.

1 Claim, 6 Drawing Sheets



(56)

References Cited

U.S. PATENT DOCUMENTS

D733,482 S *	7/2015	Toh	D7/313
D734,085 S *	7/2015	Toh	D7/312
D781,633 S *	3/2017	Cahen	D7/311
D789,727 S *	6/2017	Rummel	D9/742
D795,628 S *	8/2017	Roberts	D7/313
D807,035 S *	1/2018	Beller	D3/302
D836,963 S *	1/2019	Jeon	D7/318
D940,494 S *	1/2022	Ding	D7/316
D954,486 S *	6/2022	Lee	D7/317
D954,505 S *	6/2022	Thompson	D7/600

* cited by examiner

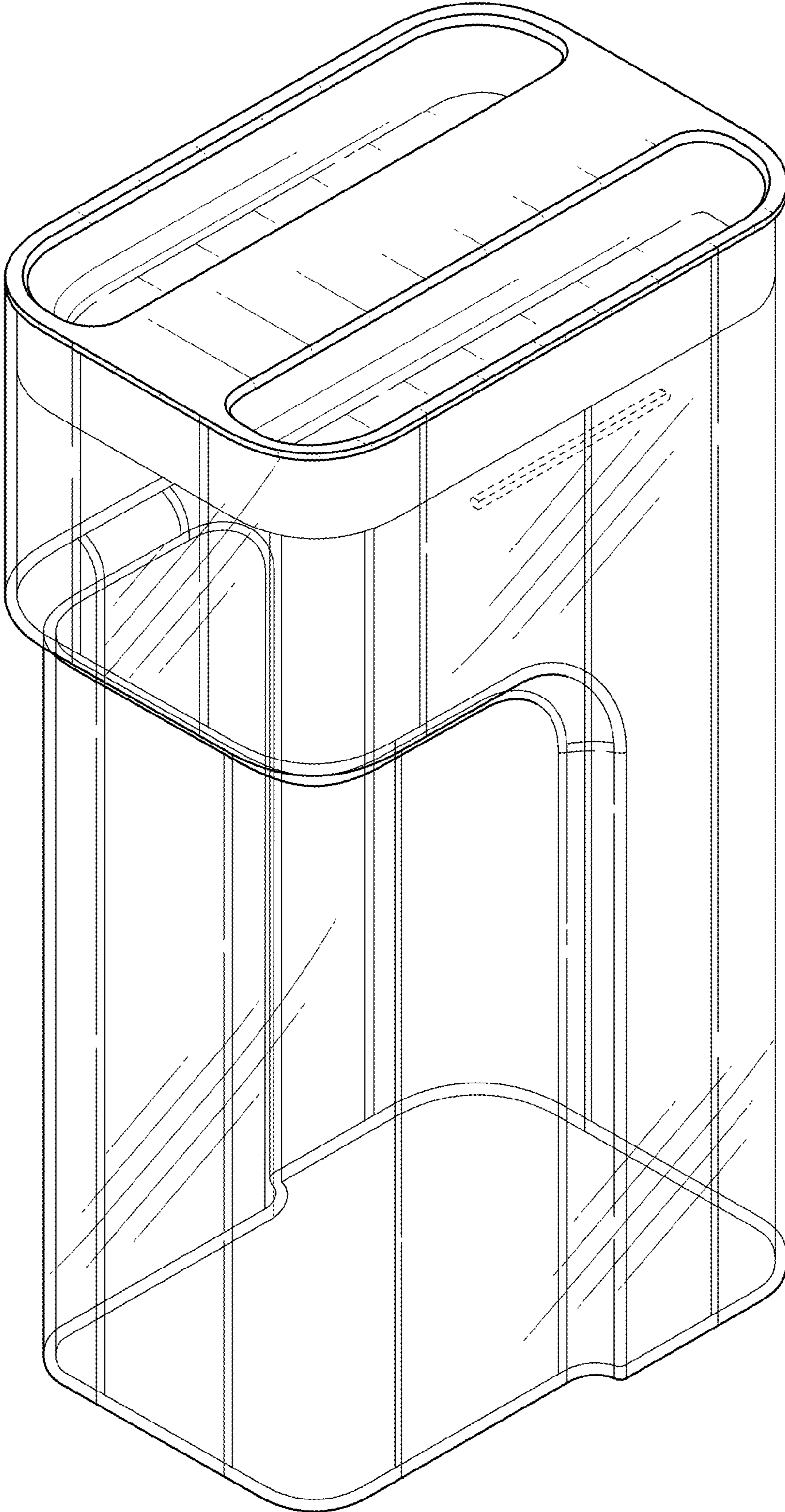


FIG. 1

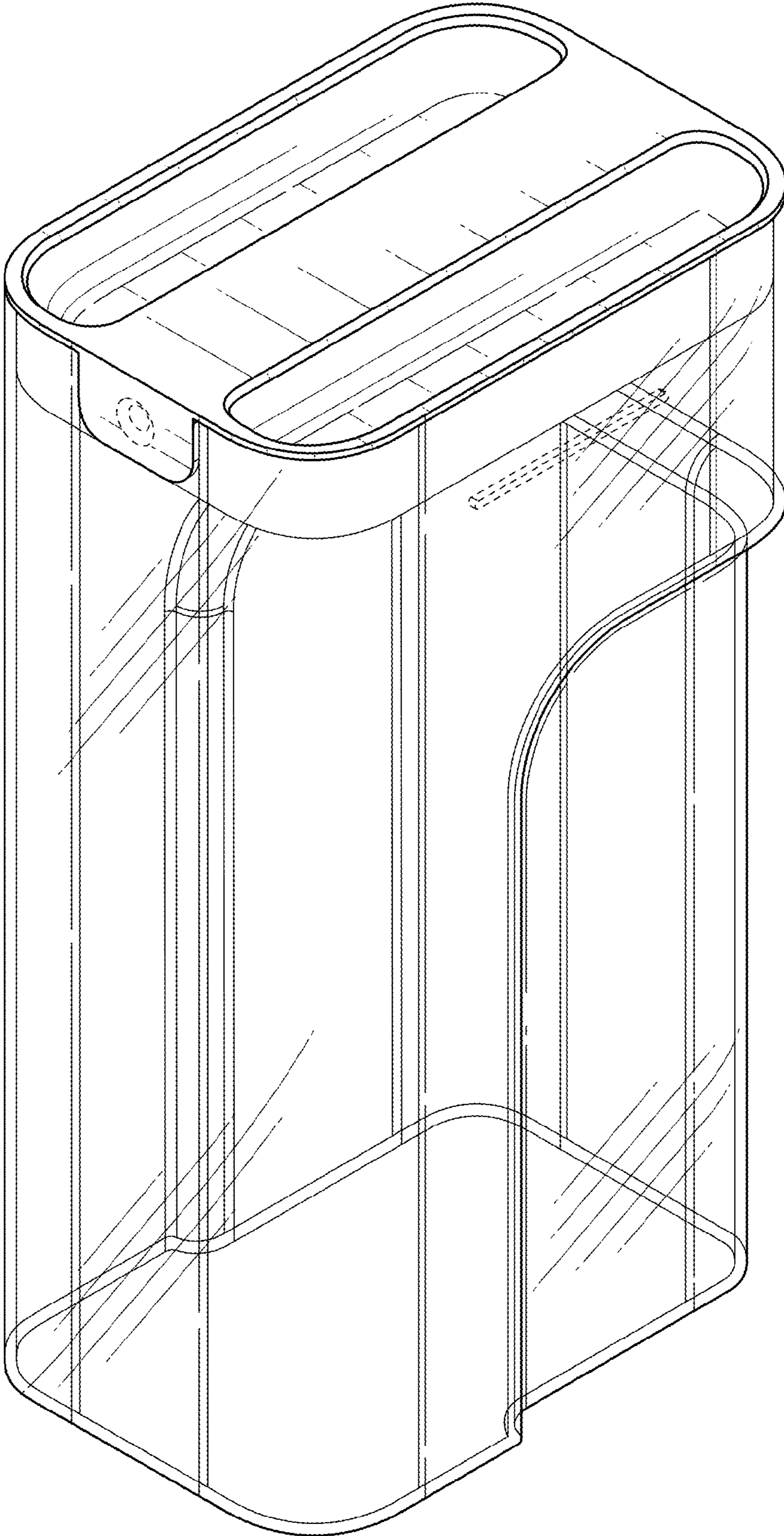


FIG. 2

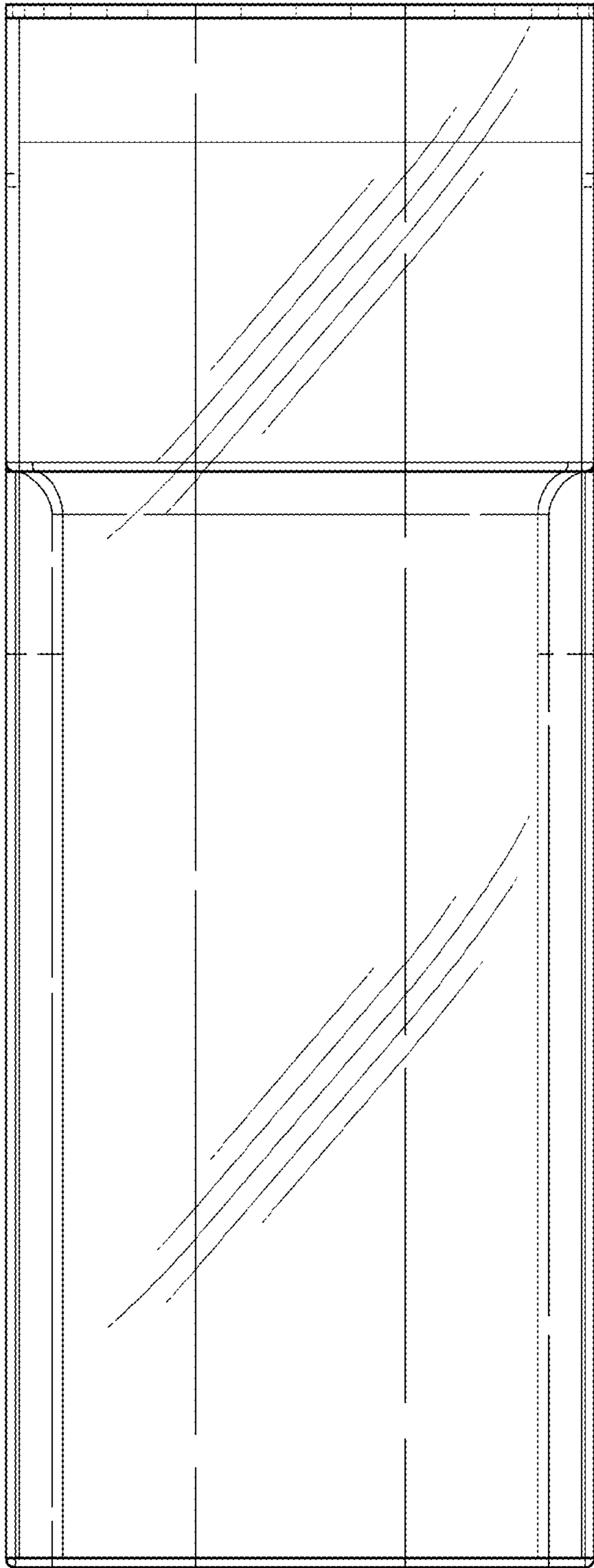


FIG. 3

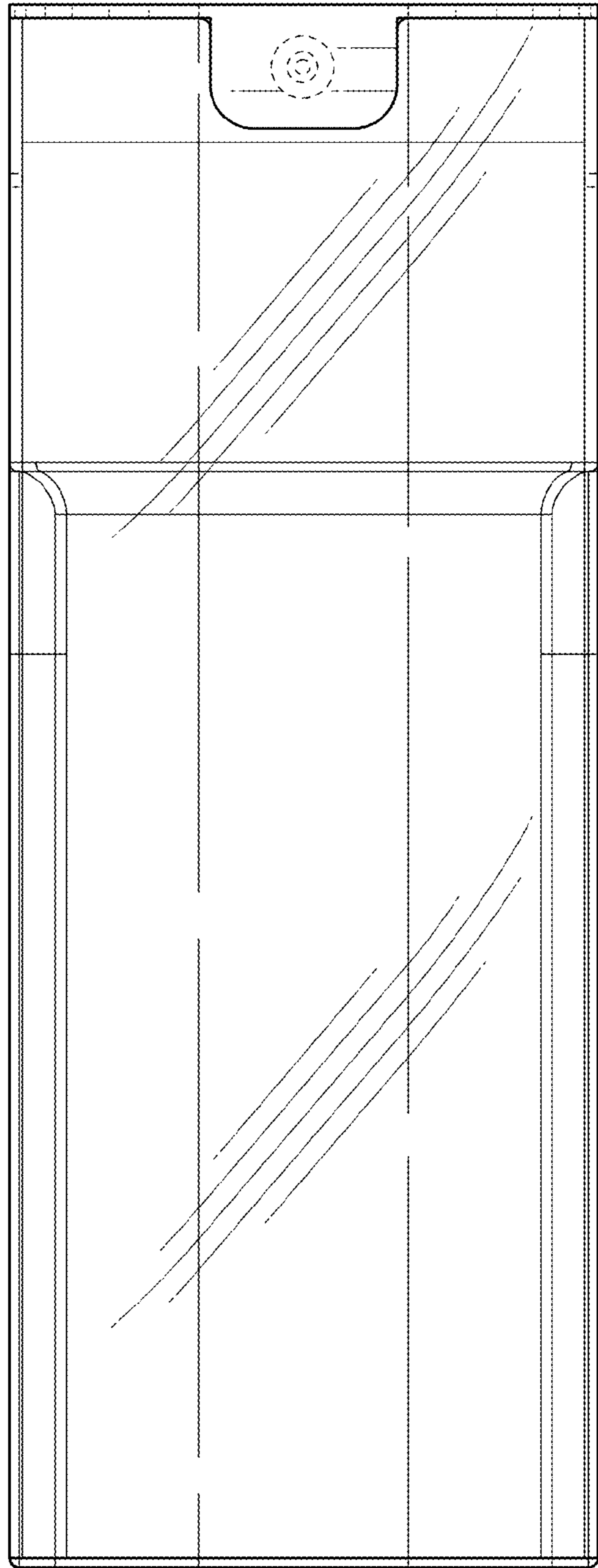


FIG. 4

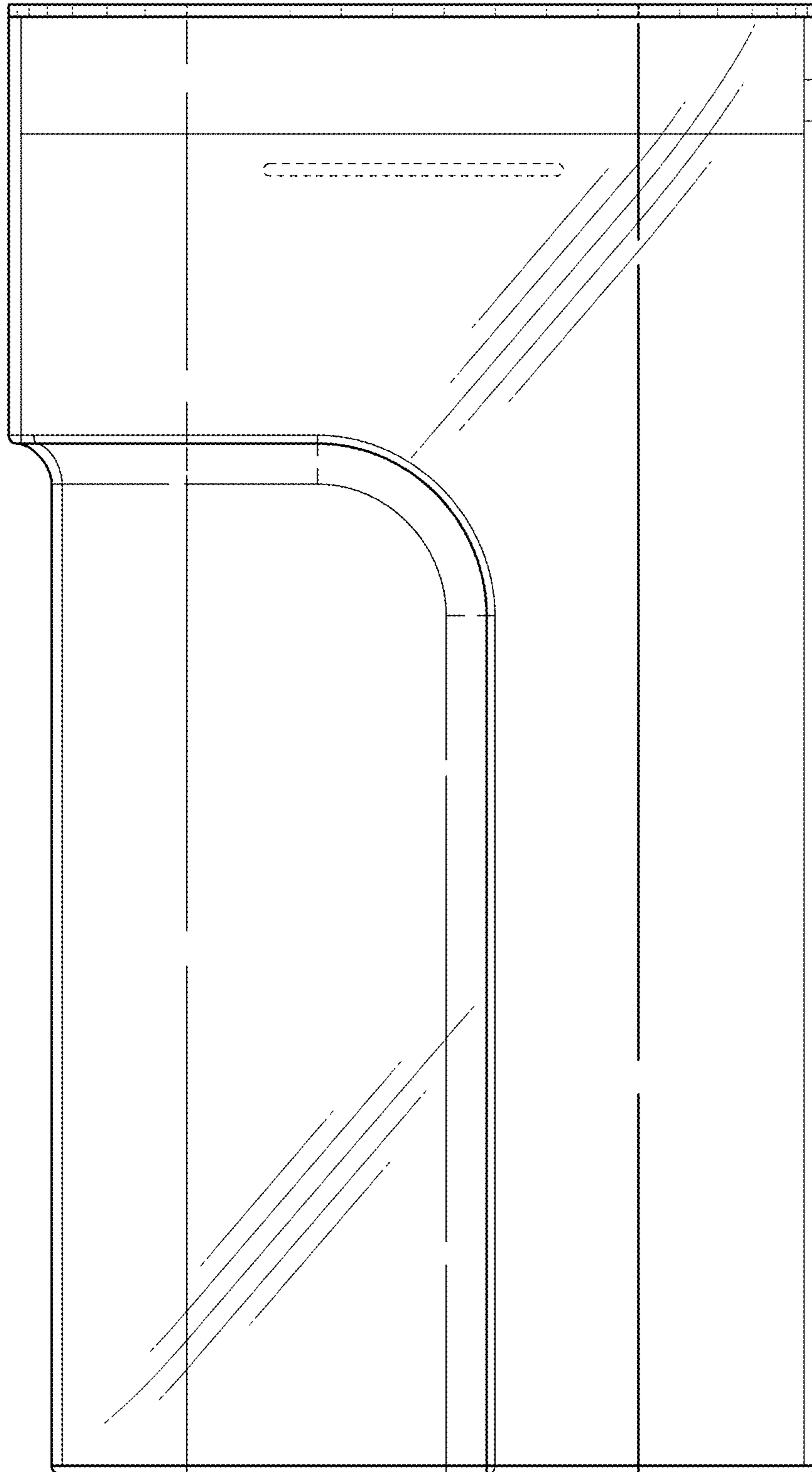


FIG. 5

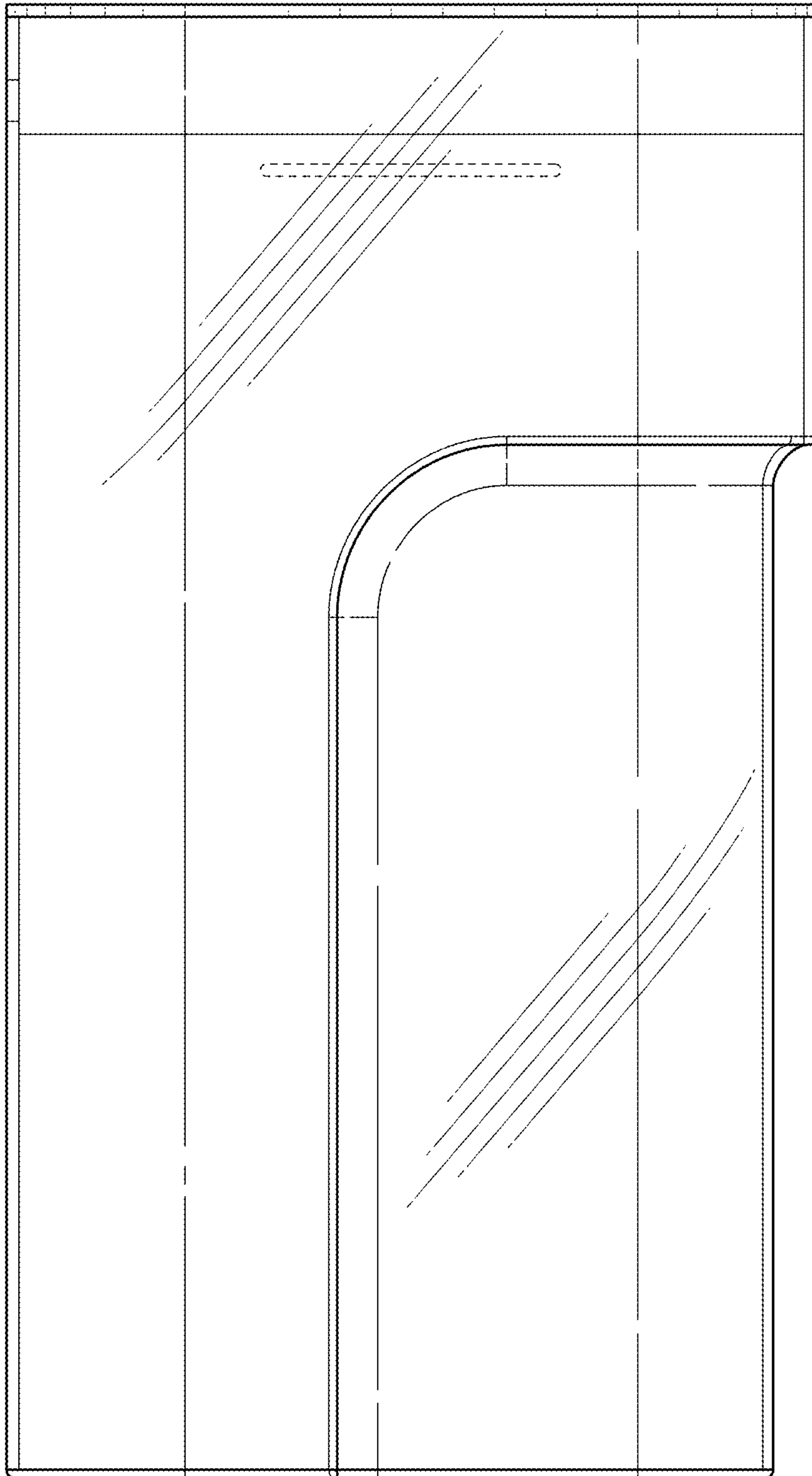


FIG. 6

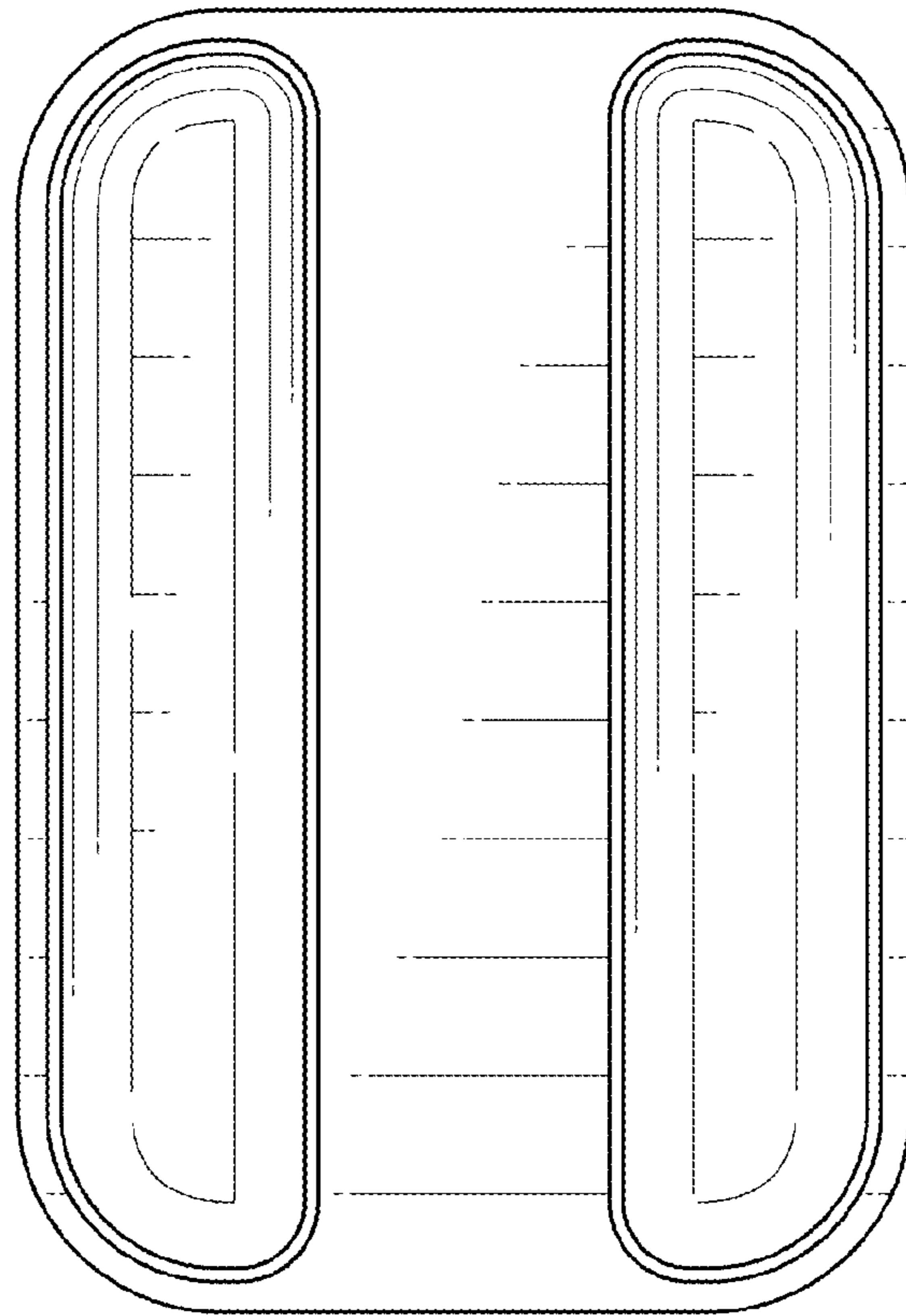


FIG. 7

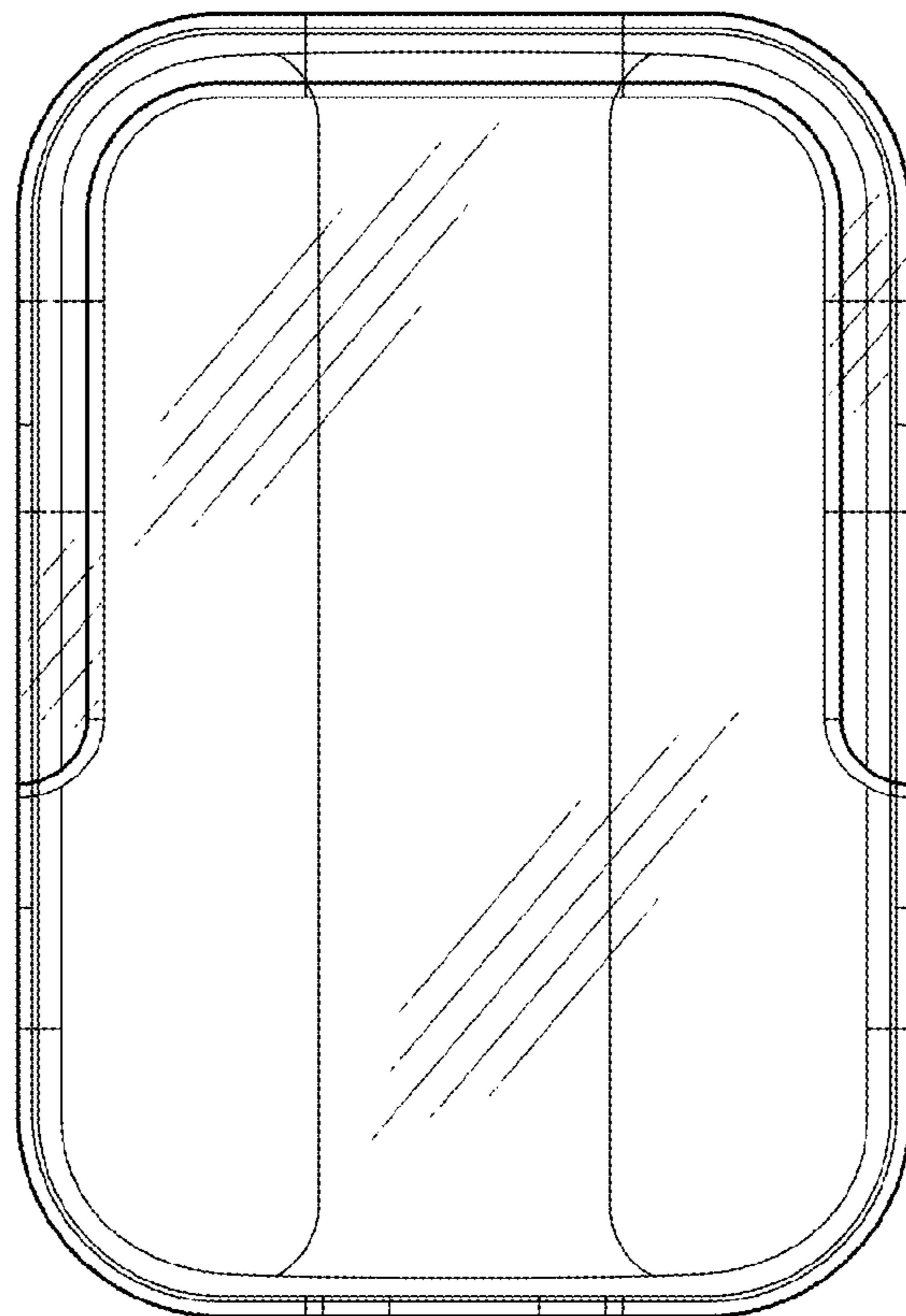


FIG. 8