



US0D1011826S

(12) **United States Design Patent** (10) **Patent No.:** **US D1,011,826 S**
Bettendorf et al. (45) **Date of Patent:** **** Jan. 23, 2024**

(54) **PAN TOP**

FOREIGN PATENT DOCUMENTS

(71) Applicant: **Lamb Weston, Inc.**, Eagle, ID (US)

EM 009096001-0001 * 8/2022
GB 6221027 * 8/2022

(72) Inventors: **Casey Bettendorf**, Richland, WA (US);
Celso S. Martinez, Mableton, GA (US)

OTHER PUBLICATIONS

(73) Assignee: **Lamb Weston, Inc.**, Eagle, ID (US)

Nordic Ware Sheet Cake Pan, posted Sep. 1, 2009 [online], [retrieved May 10, 2023]. Retrieved from internet, https://www.amazon.com/Nordic-Ware-Aluminum-Commercial-High-Sided/dp/B002NU6LOY/ref=sr_1_5?keywords=Sheet+Cake+Carrier&qid=1683682312&sr=8-5 (Year: 2009).*

(**) Term: **15 Years**

(21) Appl. No.: **29/824,283**

(Continued)

(22) Filed: **Jan. 24, 2022**

(51) **LOC (14) Cl.** **07-02**

(52) **U.S. Cl.**
USPC **D7/391**; D9/453

(58) **Field of Classification Search**
USPC D3/202, 318; D7/302, 303, 305, 313, D7/314, 317, 318, 319, 321, 387, 391, D7/392, 392.1, 396.1, 396.2, 396.4, D7/396.5, 500, 502, 507, 509, 510, 511, D7/514, 532, 533, 536, 538, 541, 543, D7/546, 549, 601, 602, 608, 609, 610, D7/612, 615, 619.1, 622, 701, 702, 703, D7/705, 707, 708, 629; D9/428, 429, D9/435-454, 761, 434, 425
CPC A47J 9/00; A47J 9/001; A47J 36/06; A47J 36/08; A47J 36/10; A47J 36/14; A47J 36/18; A47J 36/20; A47J 37/00; A47J 37/01; A47J 37/101; A47J 47/00; A47J 47/02; A47J 47/04; A47J 47/08; A47J 47/20; A47J 19/005; A47J 31/4407; A47G 21/005; A47G 19/26; B65D 21/604
See application file for complete search history.

Primary Examiner — Nicole C Shiflet

Assistant Examiner — Yen Le Southwood

(74) *Attorney, Agent, or Firm* — TraskBritt

(57) **CLAIM**

The ornamental design for a pan top, as shown and described.

DESCRIPTION

FIG. 1 is an isometric view of a pan top.
FIG. 2 is another isometric view of the pan top of FIG. 1.
FIG. 3 is a top plan view of the pan top of FIG. 1.
FIG. 4 is a bottom plan view of the pan top of FIG. 1.
FIG. 5 is a front elevation view of the pan top of FIG. 1.
FIG. 6 is a rear elevation view of the pan top of FIG. 1.
FIG. 7 is a left side elevation view of the pan top of FIG. 1.
FIG. 8 is a right side elevation view of the pan top of FIG. 1.
FIG. 9 is an isometric view of the pan top of FIG. 1 with a pan bottom; and,
FIG. 10 is an isometric view of the pan top of FIG. 1 with a pan bottom.
Portions of FIGS. 1 through 10 are shown in evenly spaced broken lines illustrating portions of the article that form no part of the claimed design, and phantom lines illustrating environmental subject matter including a pan bottom that form no part of the claimed design.

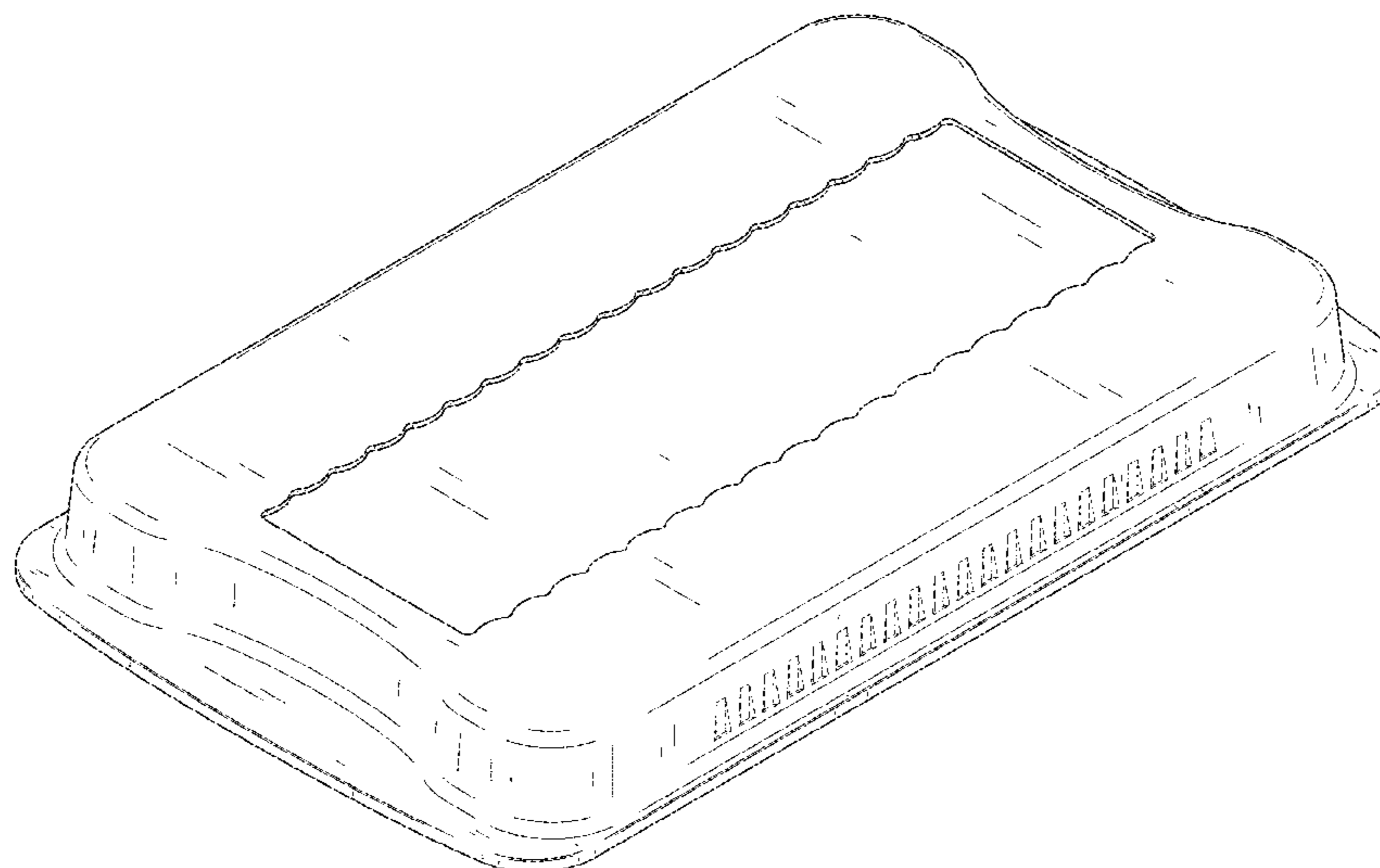
(56) **References Cited**

U.S. PATENT DOCUMENTS

D175,202 S * 7/1955 Tupper D7/629
D207,496 S * 4/1967 Swett D7/610

(Continued)

1 Claim, 8 Drawing Sheets



(56)

References Cited

U.S. PATENT DOCUMENTS

D208,063 S * 7/1967 Swett D7/610
D375,653 S * 11/1996 Ferris D7/391
D400,055 S * 10/1998 Mc Fadzean D7/610
D419,375 S * 1/2000 Mangla D7/396.1
D524,644 S * 7/2006 Weiss D9/425
D528,361 S * 9/2006 Wolhender D7/396.5
D531,501 S * 11/2006 Gomoll D9/435
D531,502 S * 11/2006 Gomoll D9/435
D638,704 S * 5/2011 Petlak D9/435
D805,387 S * 12/2017 Lin D9/425

OTHER PUBLICATIONS

Handi-Foil High Dome Lid, posted date unknown [online], [retrieved May 10, 2023]. Retrieved from internet, <https://www.foil-pans.com/products/handi-foil-clear-high-dome-lid-for-full-size-aluminum-foil-steam-pan-50-cs>.*

Nordic Ware Covered Cake Pan, date of oldest review Sep. 27, 2010 [online], [retrieved May 10, 2023]. Retrieved from internet, <https://www.macys.com/shop/product/nordic-ware-9-x-13-covered-cake-pan?ID=195414> (Year: 2010).*

* cited by examiner

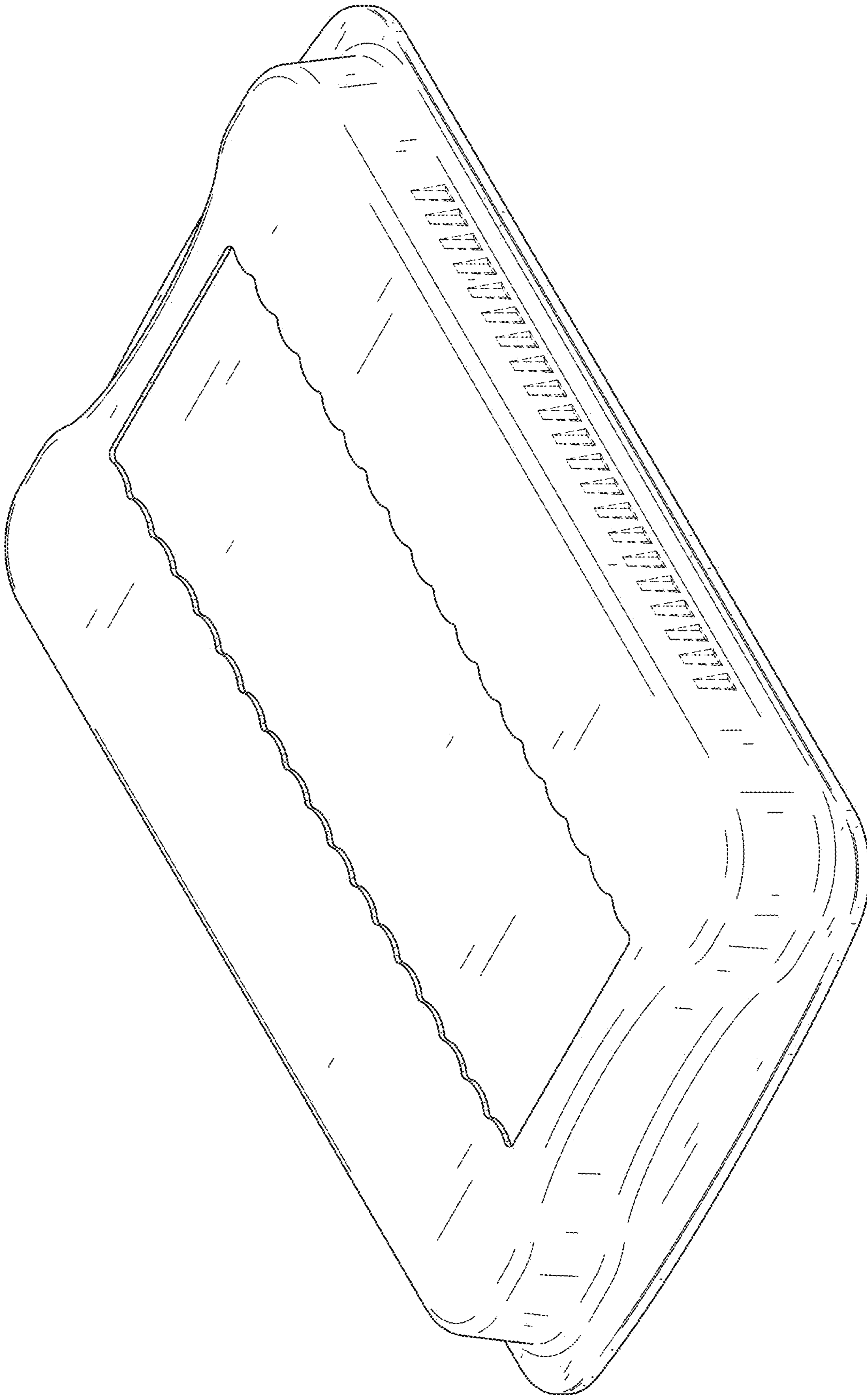


FIG. 1

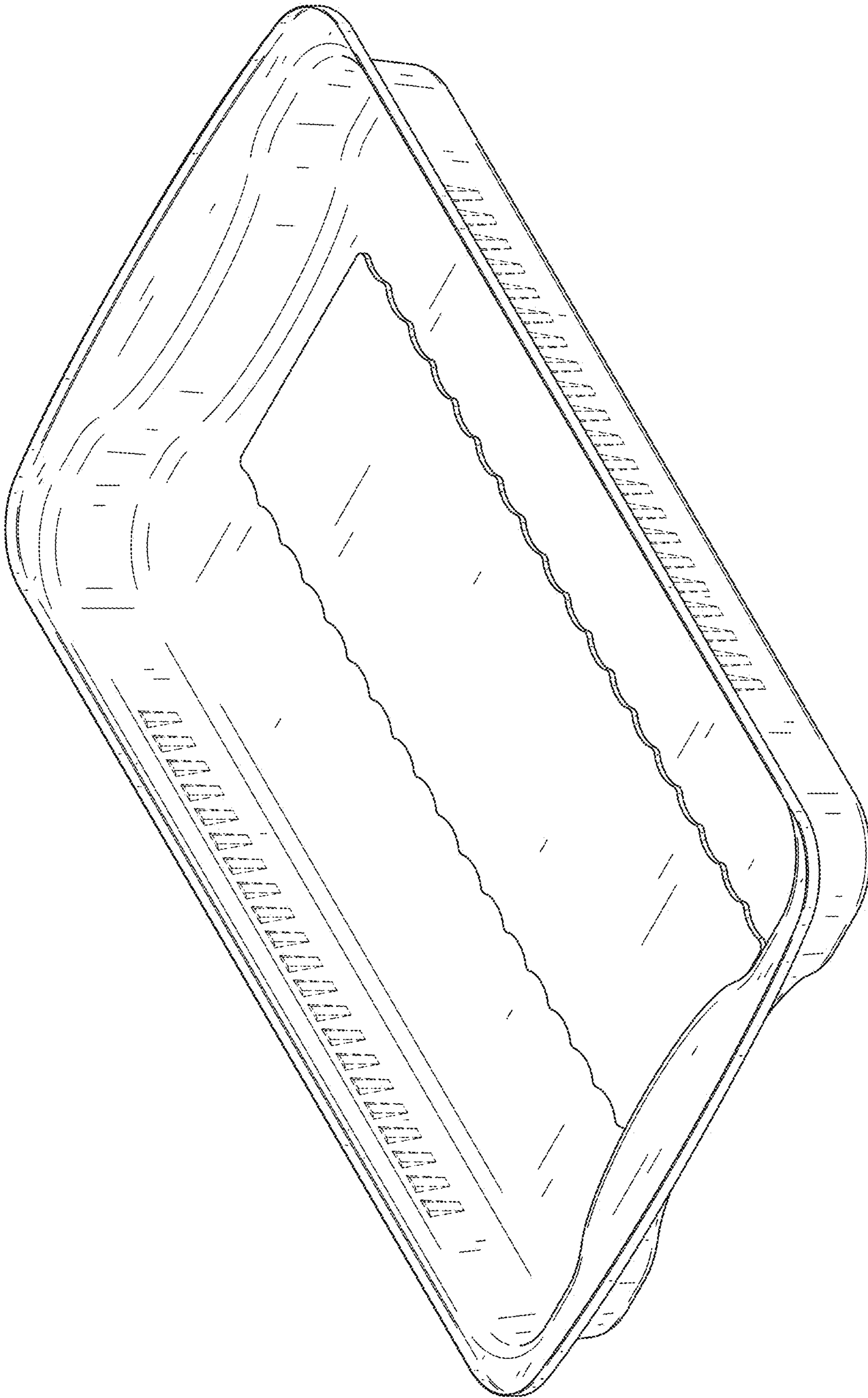


FIG. 2

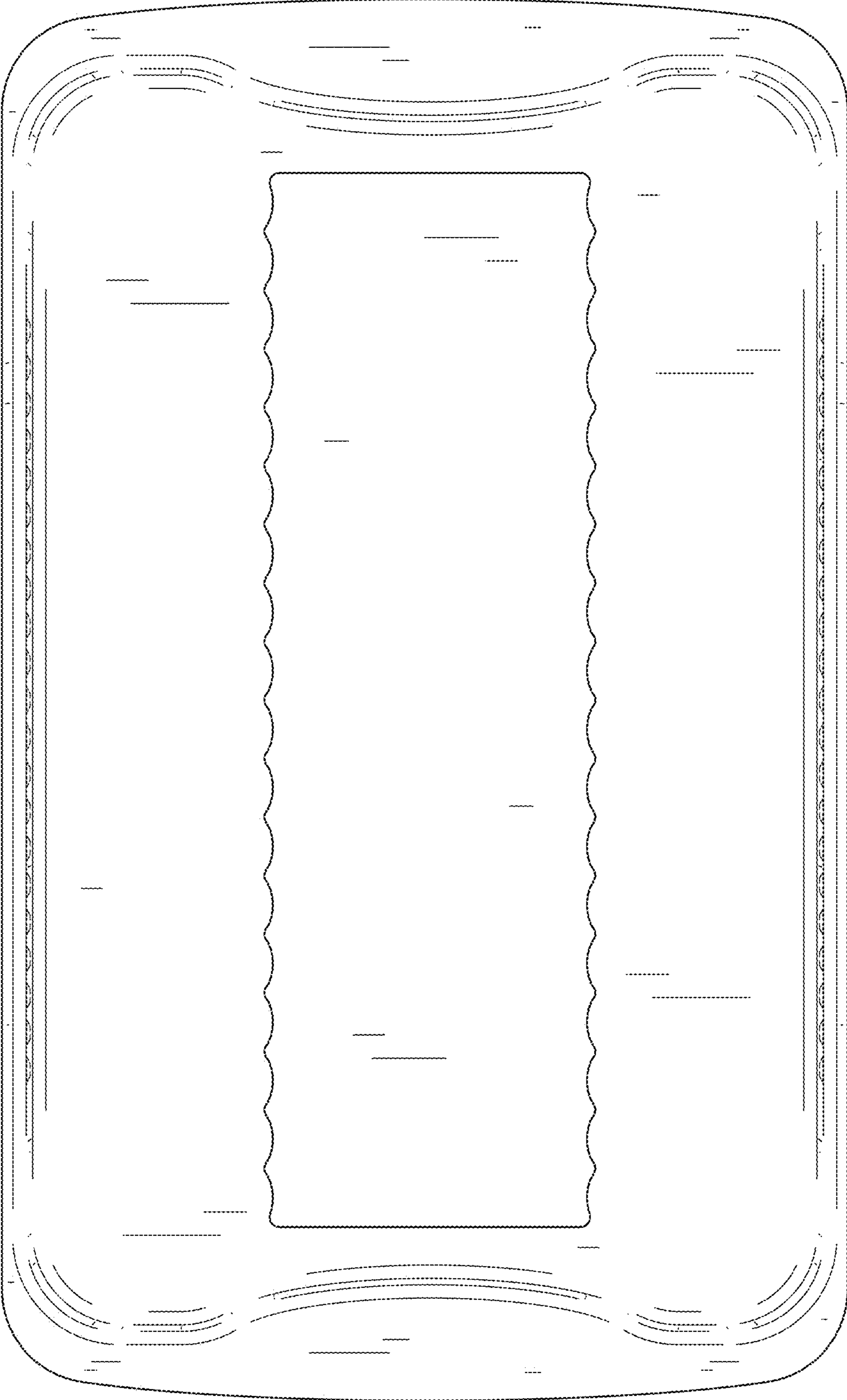


FIG. 3

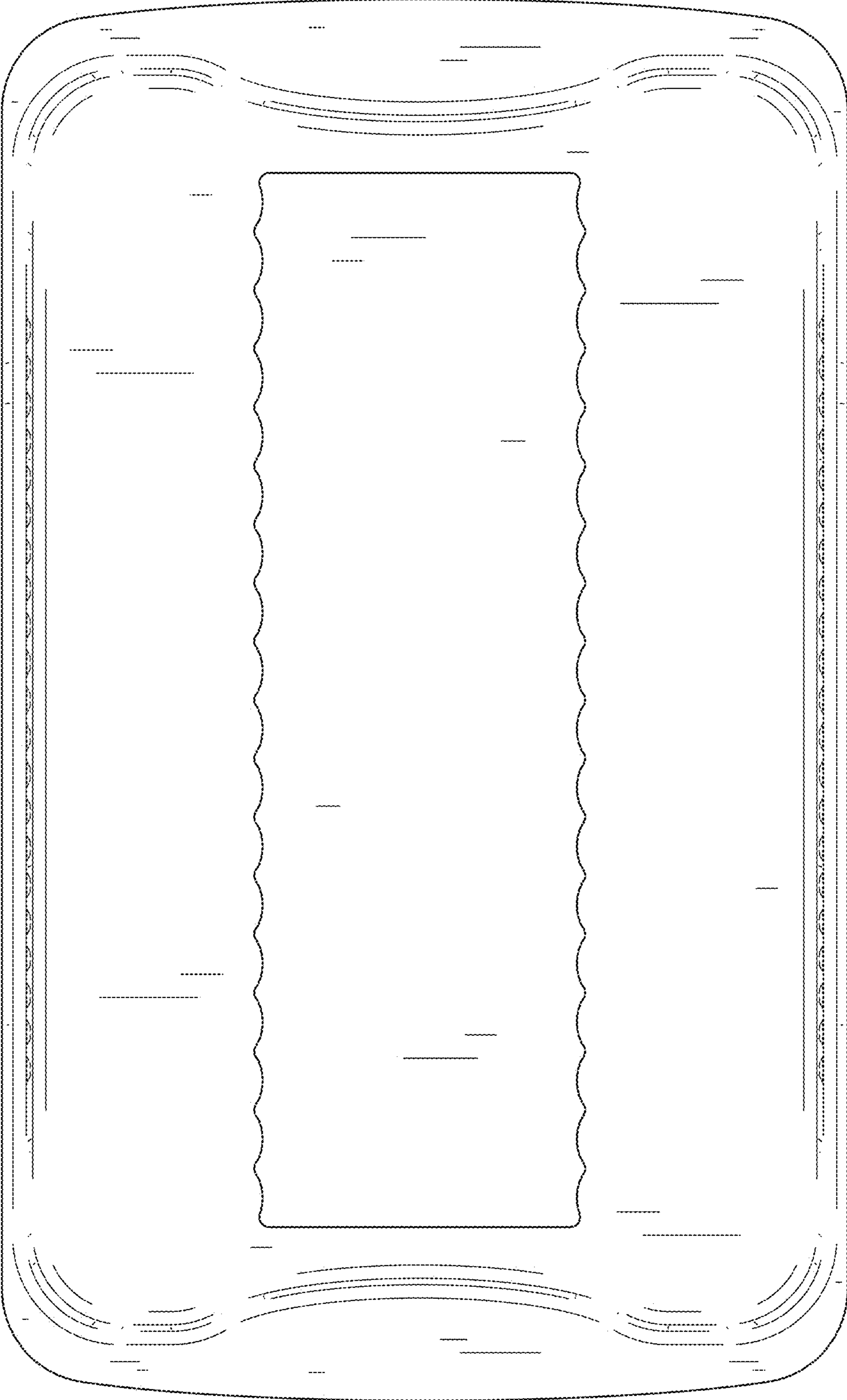


FIG. 4

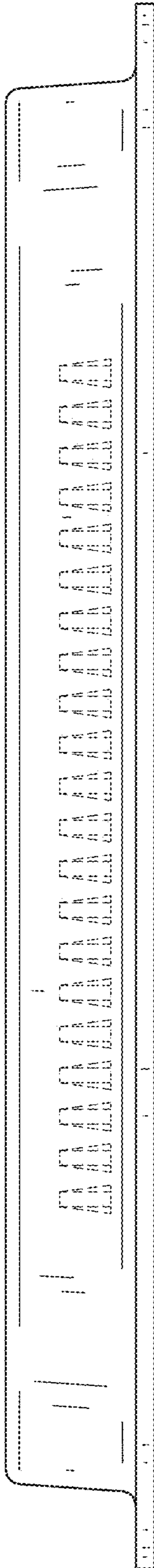


FIG. 5

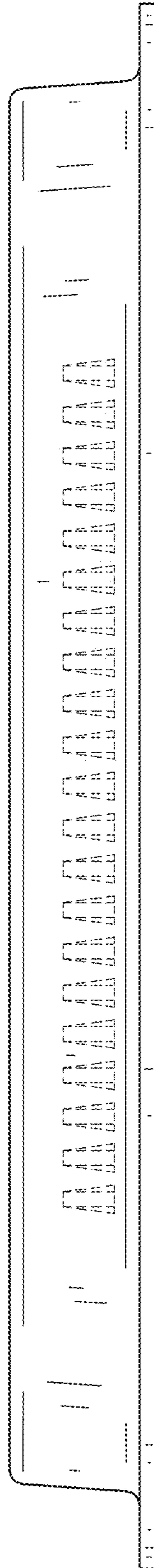


FIG. 6

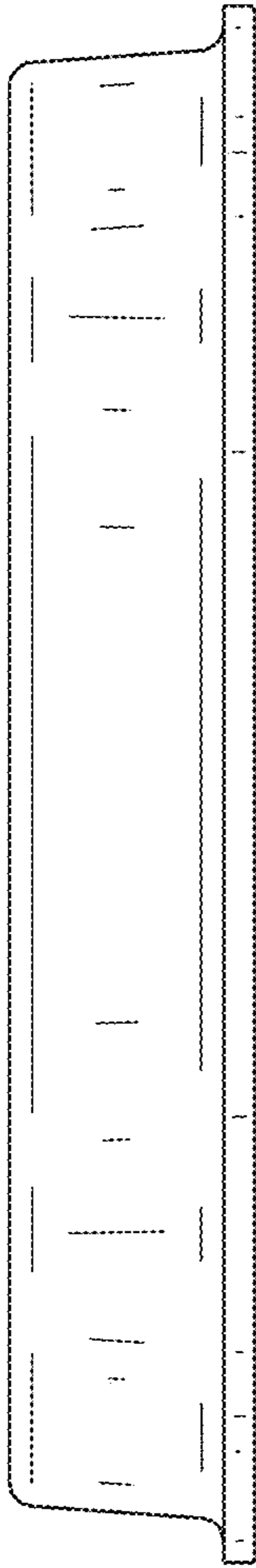


FIG. 7

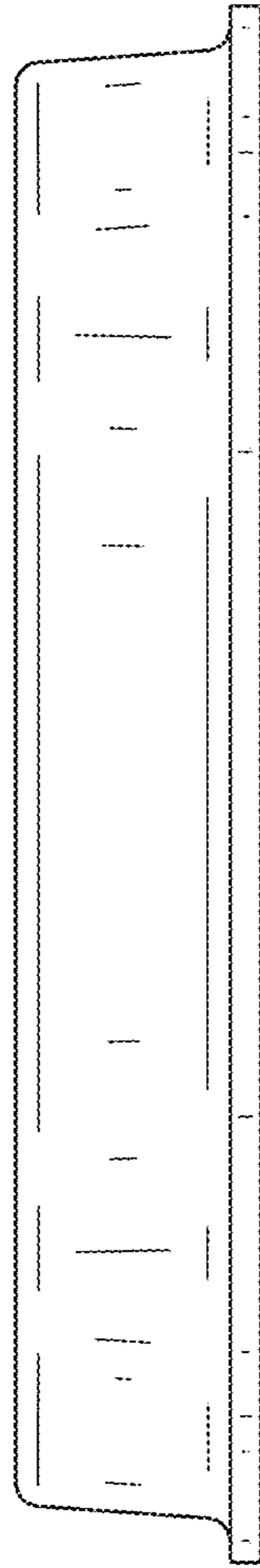


FIG. 8

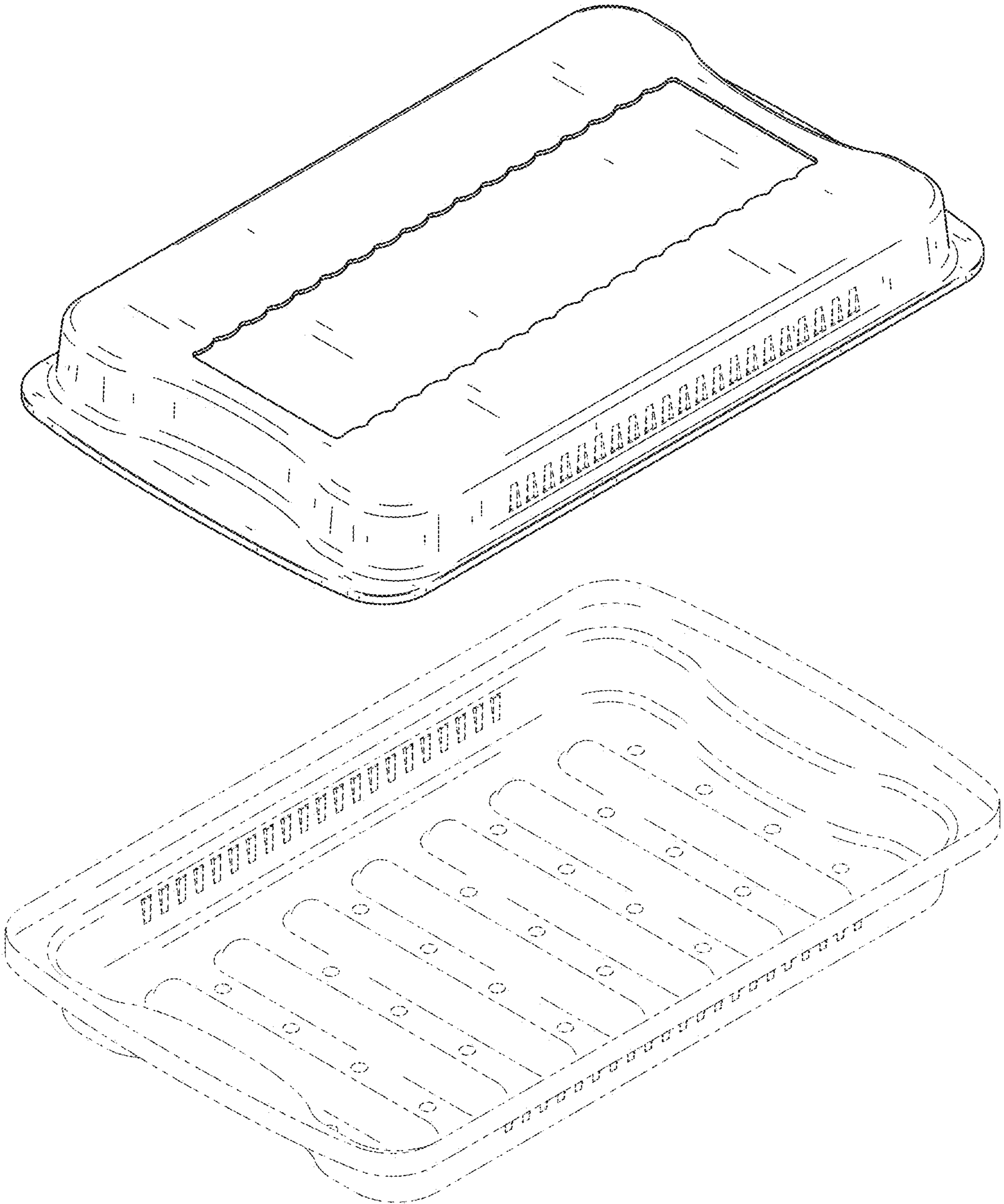


FIG. 9

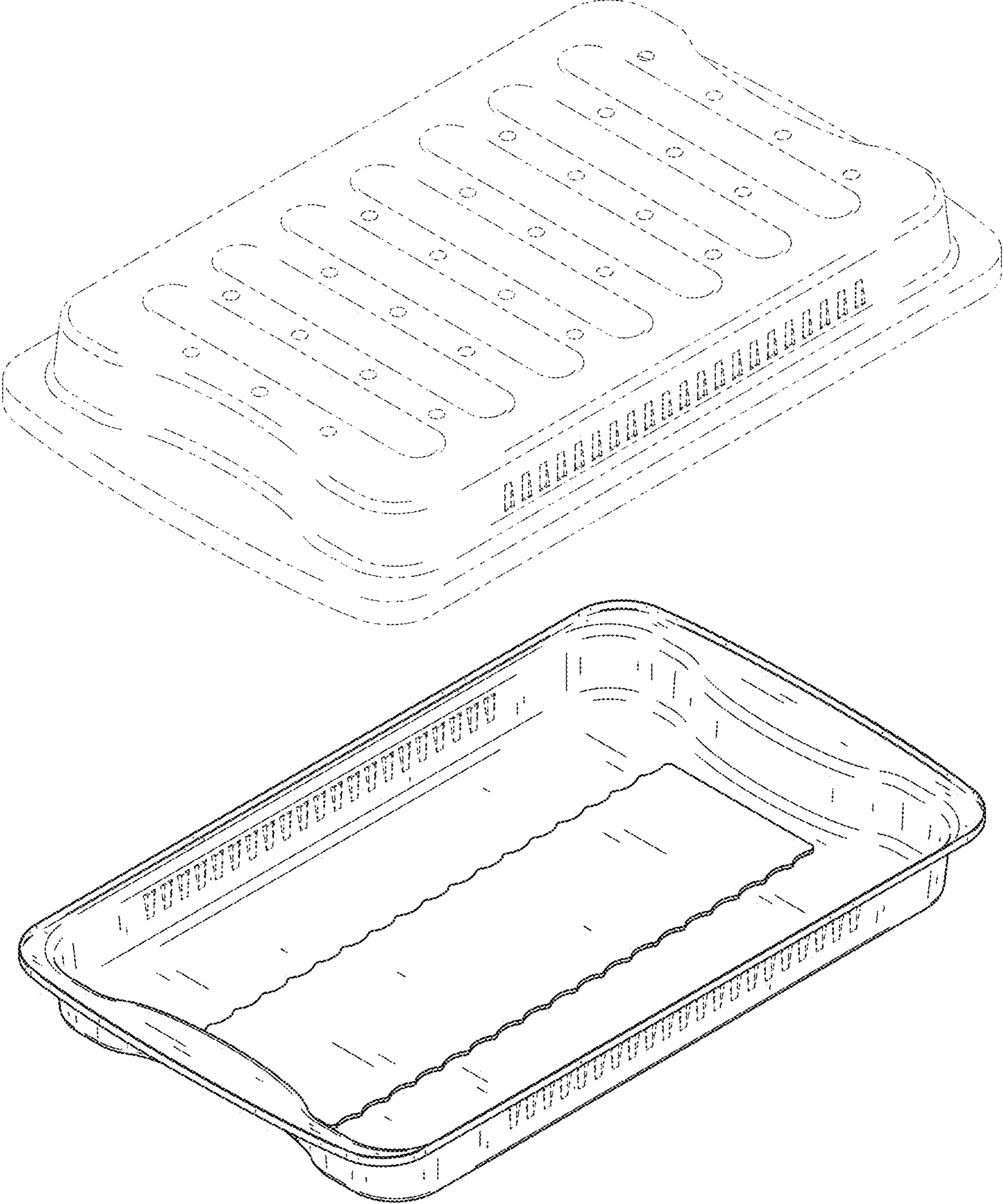


FIG. 10