



US0D1011822S

(12) **United States Design Patent**
Biegeleisen

(10) **Patent No.:** **US D1,011,822 S**

(45) **Date of Patent:** **** Jan. 23, 2024**

(54) **COOKING APPLIANCE**

(71) Applicant: **The Steelstone Group LLC**, Brooklyn, NY (US)

(72) Inventor: **Naphtali H. Biegeleisen**, Brooklyn, NY (US)

(73) Assignee: **The Steelstone Group LLC**, Brooklyn, NY (US)

(**) Term: **15 Years**

(21) Appl. No.: **29/835,631**

(22) Filed: **Apr. 20, 2022**

(51) **LOC (14) Cl.** **07-02**

(52) **U.S. Cl.**
USPC **D7/354**

(58) **Field of Classification Search**
USPC D7/323, 350.1-350.3, 354-361
CPC A23L 1/01; A23L 1/0107; A23L 1/0114;
A47J 27/00; A47J 27/08; A47J 27/09;
A47J 27/092; A47J 36/025; A47J 36/06;
A47J 36/08; A47J 36/10; A47J 36/12;
A47J 36/18; A47J 36/20; A47J 36/22;
A47J 36/165; A47J 37/00; A47J 37/0641;
A47J 37/12; A47J 37/129; A47J 37/1204;
A47J 37/1209; A47J 37/1214; A47J
37/1219; A47J 37/1266; A47J 37/1285;
A47J 37/1295; G07F 17/0064; G07F
17/0078; G07F 17/0085; H05B 6/02;
H05B 6/06; H05B 6/12
See application file for complete search history.

(56) **References Cited**

U.S. PATENT DOCUMENTS

D839,040 S * 1/2019 Seymour D7/354
D862,152 S * 10/2019 Huang D7/354

D875,460 S * 2/2020 Chen D7/354
11,045,046 B1 * 6/2021 Man A47J 37/0641
D933,415 S * 10/2021 Yang D7/354
D954,488 S * 6/2022 Li D7/350.3
D959,189 S * 8/2022 Han D7/350.1
D961,322 S * 8/2022 Li D7/350.3
D970,959 S * 11/2022 Biegeleisen D7/354
D986,668 S * 5/2023 Liu D7/354
D987,356 S * 5/2023 Dong D7/354
D989,542 S * 6/2023 Zhang D7/350.1
D990,217 S * 6/2023 Nikitas D7/354

OTHER PUBLICATIONS

Crownful Air Fryer. Date First Available on Amazon.com Apr. 14, 2020. <https://www.amazon.com/CROWNFUL-Convection-Rotisserie-Dehydrator-Accessories/dp/B08739L374/ref> (Year: 2020).*

* cited by examiner

Primary Examiner — Ricky Pham

(74) *Attorney, Agent, or Firm* — Myers Wolin, LLC

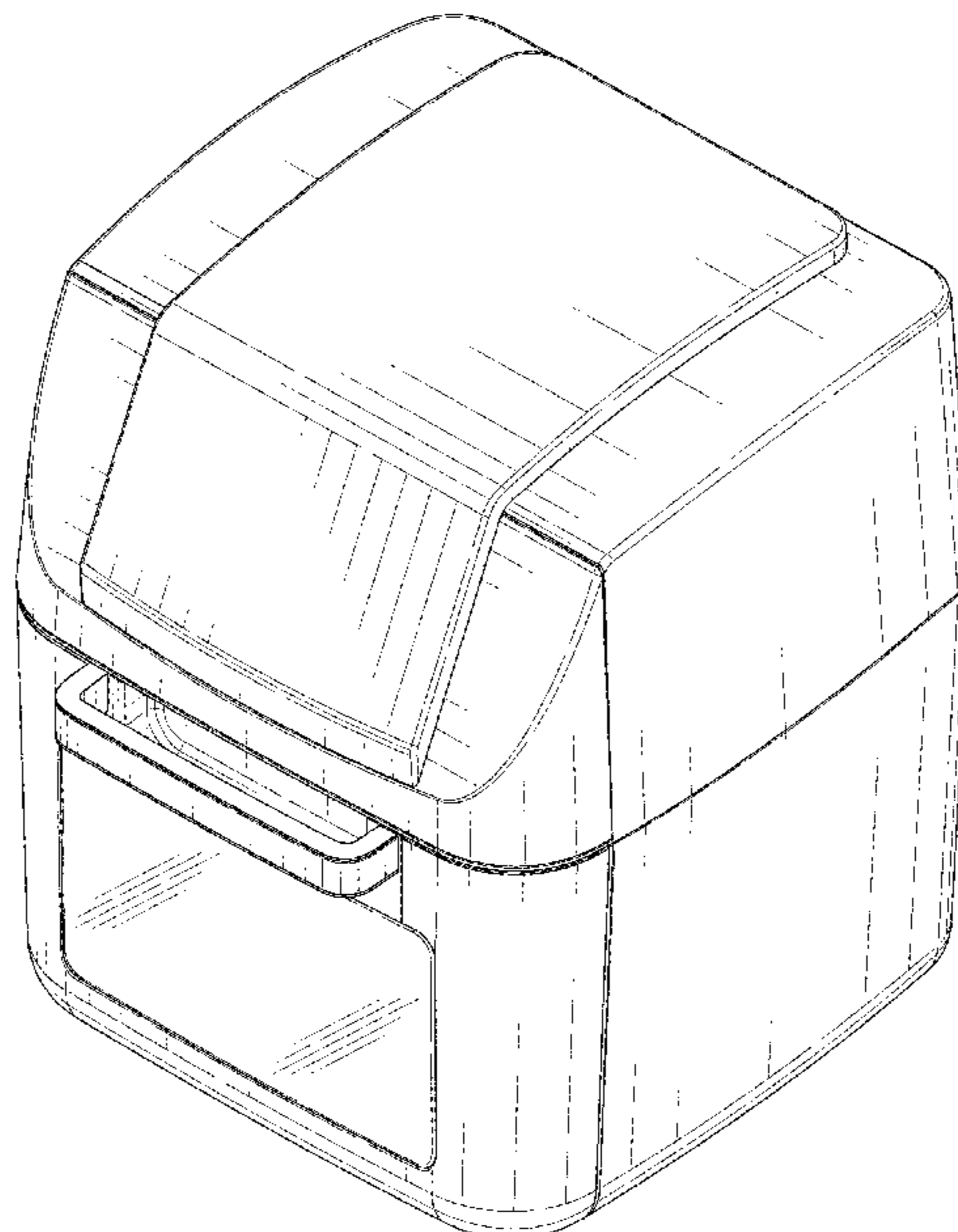
(57) **CLAIM**

The ornamental design for a cooking appliance, as shown and described.

DESCRIPTION

FIG. 1 is a front perspective view of a cooking appliance showing my new design;
FIG. 2 is a front elevation view thereof;
FIG. 3 is a rear elevation view thereof;
FIG. 4 is a left side elevation view thereof;
FIG. 5 is a right side elevation view thereof;
FIG. 6 is a top plan view thereof; and,
FIG. 7 is a bottom plan view thereof.

1 Claim, 7 Drawing Sheets



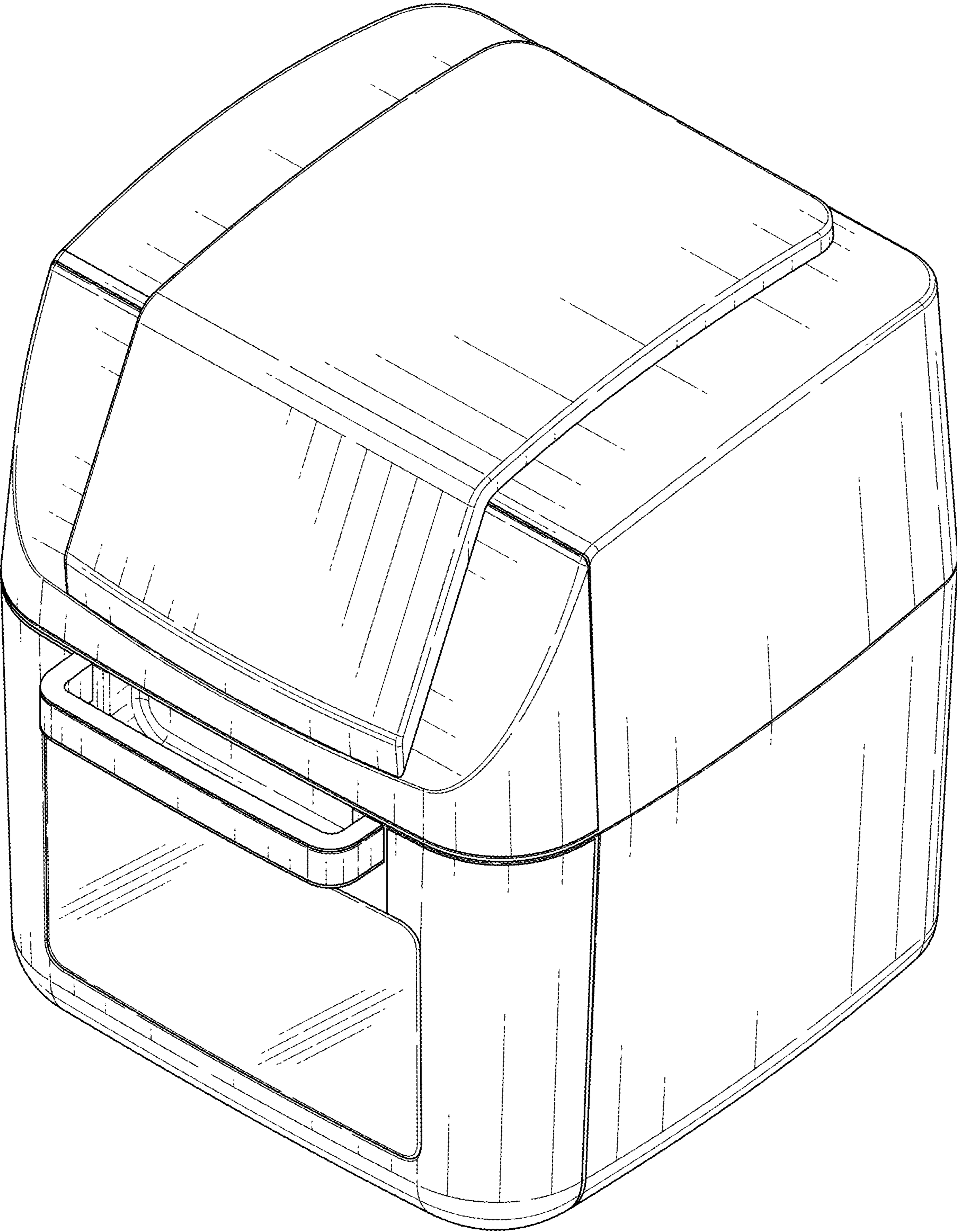


FIG. 1

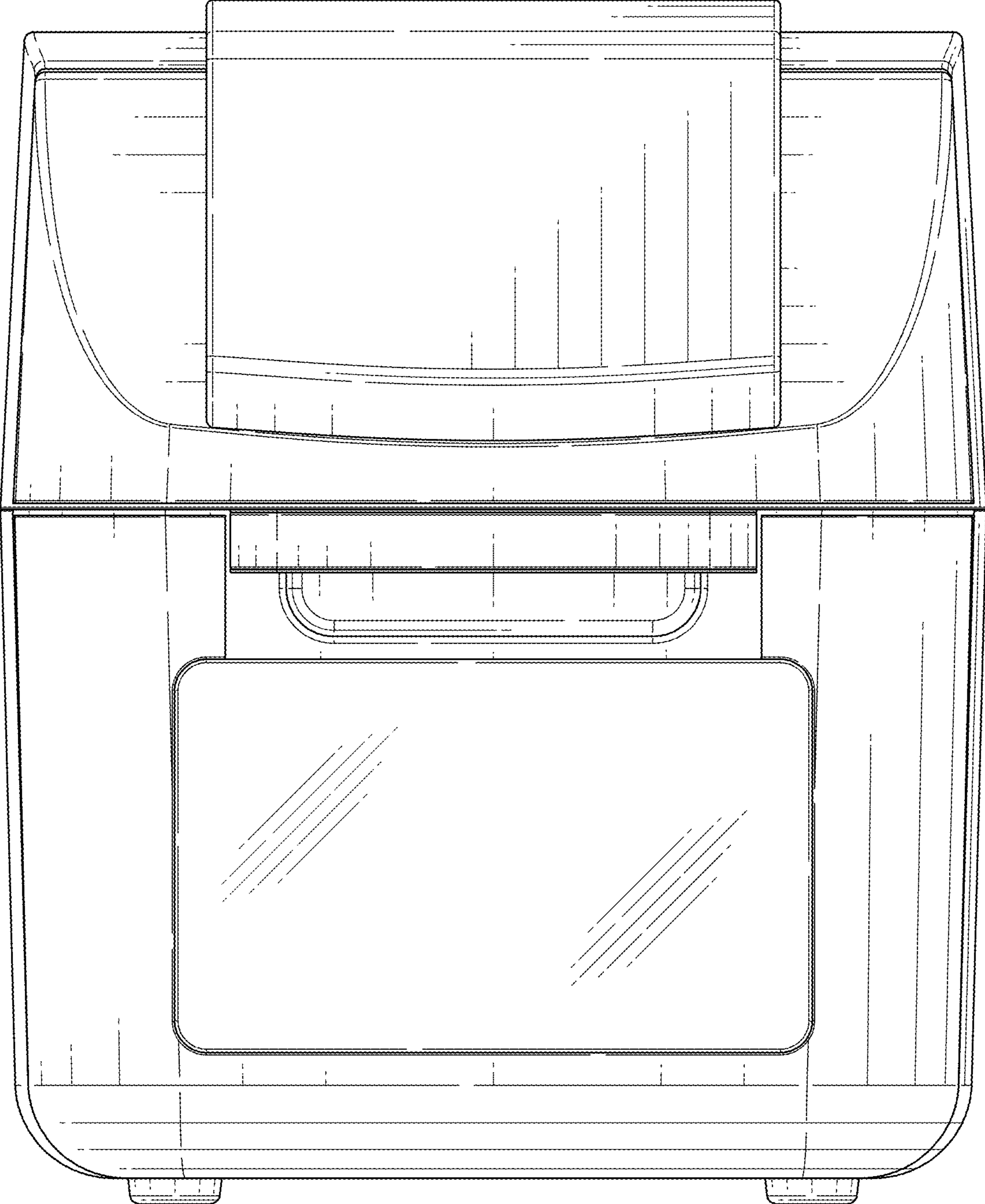


FIG. 2

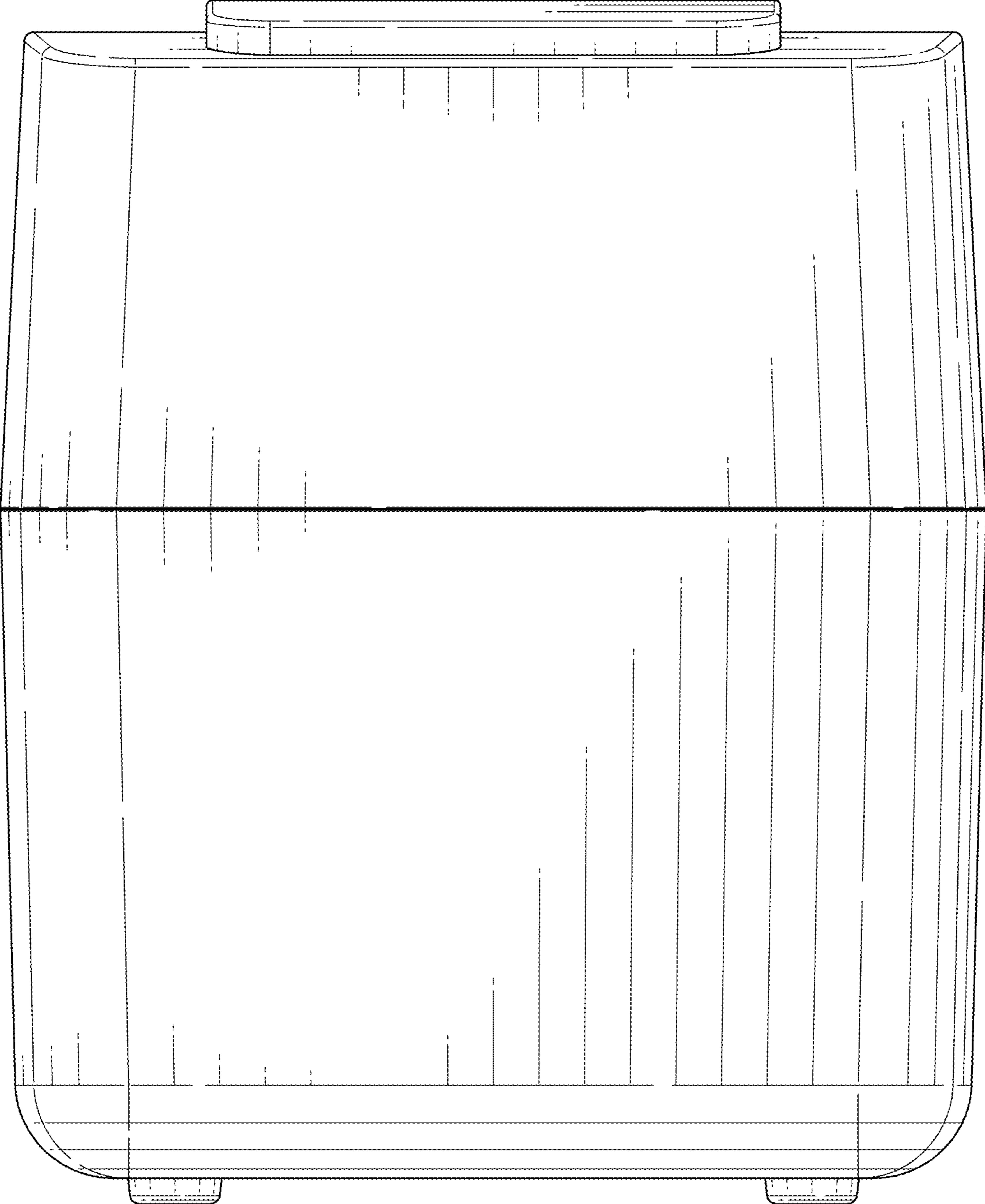


FIG. 3

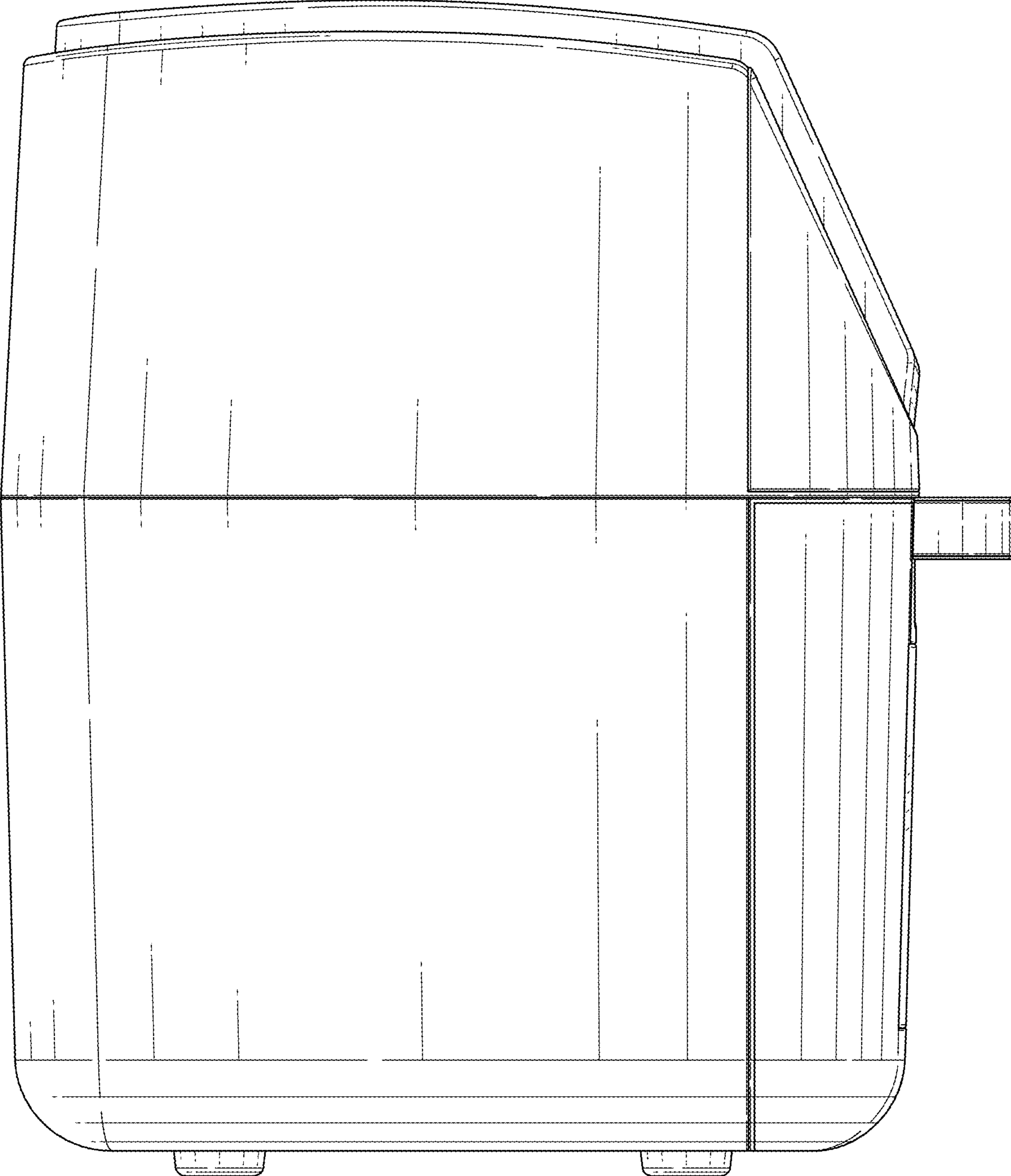


FIG. 4

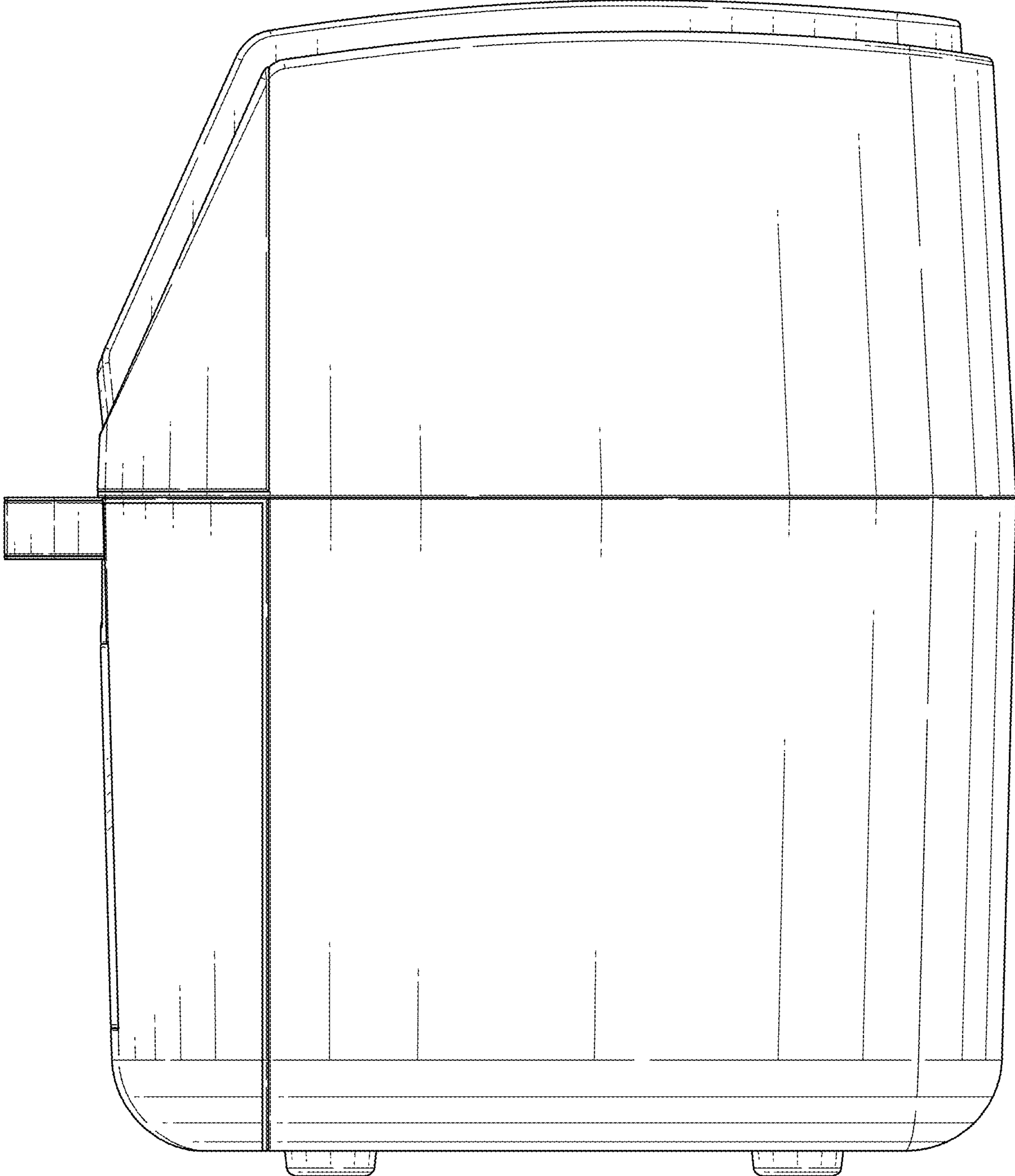


FIG. 5

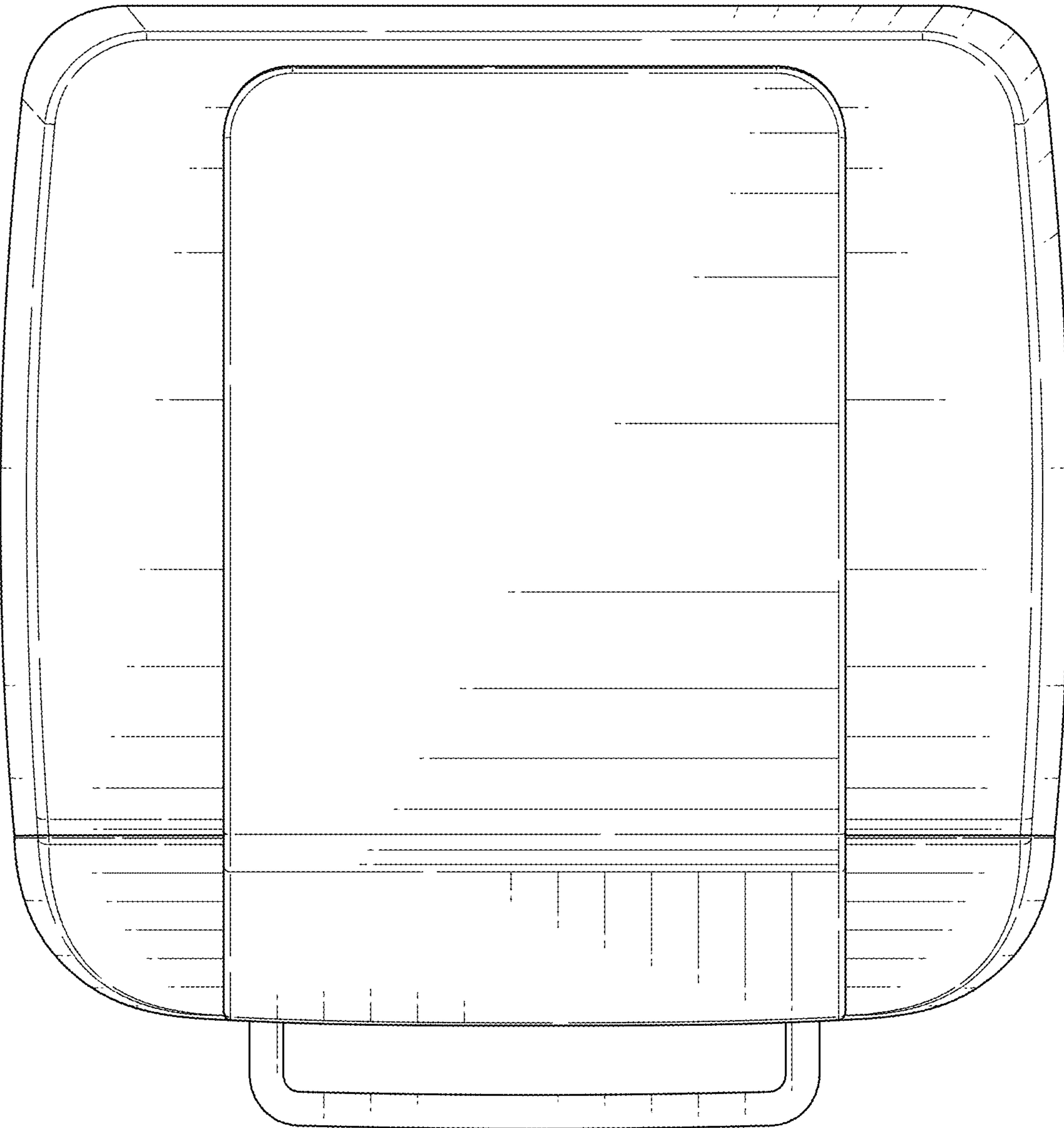


FIG. 6

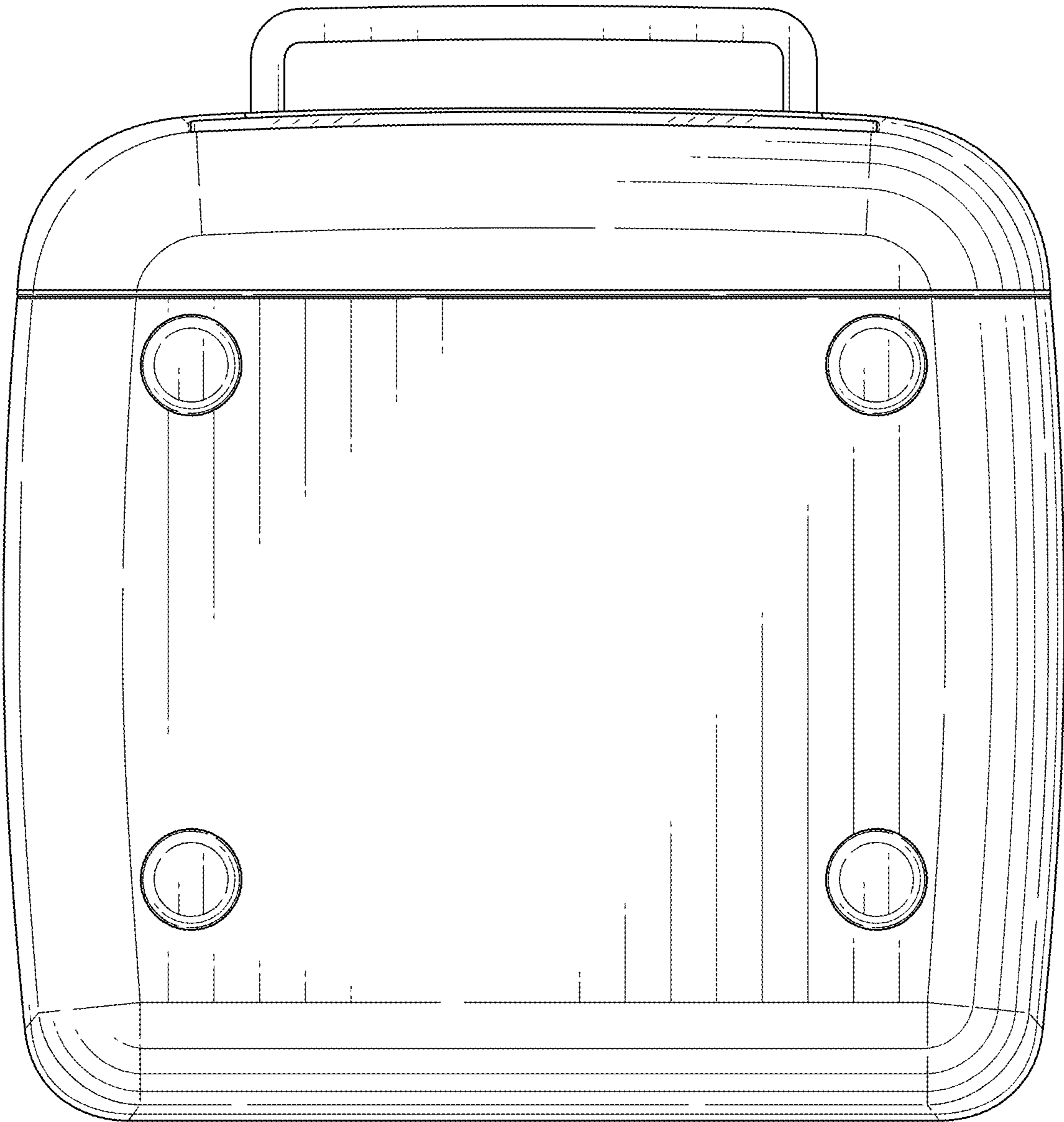


FIG. 7