



US0D1011801S

(12) **United States Design Patent**
White

(10) **Patent No.: US D1,011,801 S**

(45) **Date of Patent: ** Jan. 23, 2024**

(54) **CUSHION COVER**

(71) Applicant: **Tegwin Kay White**, Phoenix, AZ (US)

(72) Inventor: **Tegwin Kay White**, Phoenix, AZ (US)

(**) Term: **15 Years**

(21) Appl. No.: **29/796,052**

(22) Filed: **Jun. 22, 2021**

(51) **LOC (14) Cl. 06-09**

(52) **U.S. Cl.**

USPC **D6/611**

(58) **Field of Classification Search**

USPC D6/595, 596, 597, 601, 604, 611;
D21/658, 803, 804, 805, 809; D24/183,
D24/184, 185, 191, 200, 206; D23/311

CPC A47G 9/1009; A47G 2009/1018; A47G
9/0253; A47G 9/1045; A47G 9/1027

See application file for complete search history.

(56) **References Cited**

U.S. PATENT DOCUMENTS

- 2,453,784 A * 11/1948 Conjurske A45D 19/04
4/522
- D215,980 S * 11/1969 Segal D23/311
- D307,048 S * 4/1990 Spiegel D23/311
- 5,261,134 A * 11/1993 Matthews A47D 13/08
5/655
- D352,635 S * 11/1994 Yoder D6/611
- D455,495 S * 4/2002 Tinsley A61G 13/0054
D24/183
- D663,002 S * 7/2012 Zucchelli D21/803
- D664,799 S * 8/2012 Schwingendorf D6/601
- D686,709 S * 7/2013 Mortlock D23/311
- D705,431 S * 5/2014 Abramson D24/184
- D834,868 S * 12/2018 Knowlton D6/596
- D846,913 S * 4/2019 Liu D6/601
- D878,808 S * 3/2020 Denat D6/601
- D902,628 S * 11/2020 Lian D6/604
- 10,870,374 B2 * 12/2020 Lin B60N 2/002
- D955,586 S * 6/2022 Belleh D24/184

- D984,836 S * 5/2023 Hu D6/611
- D991,703 S * 7/2023 Yu D6/601
- 2022/0167758 A1 * 6/2022 Song A47D 13/083

FOREIGN PATENT DOCUMENTS

- CN 2848015 Y 12/2006
- CN 201585764 U 9/2010

OTHER PUBLICATIONS

The Arm Hammock from Oakworks, <https://www.youtube.com/watch?v=CCCZR3jEMil>.

Comfy Pillow Roundup: The Kooshy Travel Pillow, Shiatsu Massage Pillow and More, <https://sites.google.com/site/thegadgetflow11/comfy-pillow-roundup-the-kooshy-travel-pillow-shiatsu-massage-pillow-and-more>.

100 Silicone Massage Table Cradle Face Pillow Cover Head Rest Cushion Sheet, <https://www.ebay.co.uk/itm/163472419040>.

* cited by examiner

Primary Examiner — Jennifer L Watkins

Assistant Examiner — Bryan C Gusman

(57) **CLAIM**

The ornamental design for a cushion cover, as shown and described.

DESCRIPTION

FIG. 1 is a front-top-right perspective view of a cushion cover showing my new design;

FIG. 2 is a front-bottom-left perspective view thereof;

FIG. 3 is a rear-bottom-left perspective view thereof;

FIG. 4 is a rear-top-right perspective view thereof;

FIG. 5 is a front elevational view thereof;

FIG. 6 is a left elevational view thereof;

FIG. 7 is a right elevational view thereof;

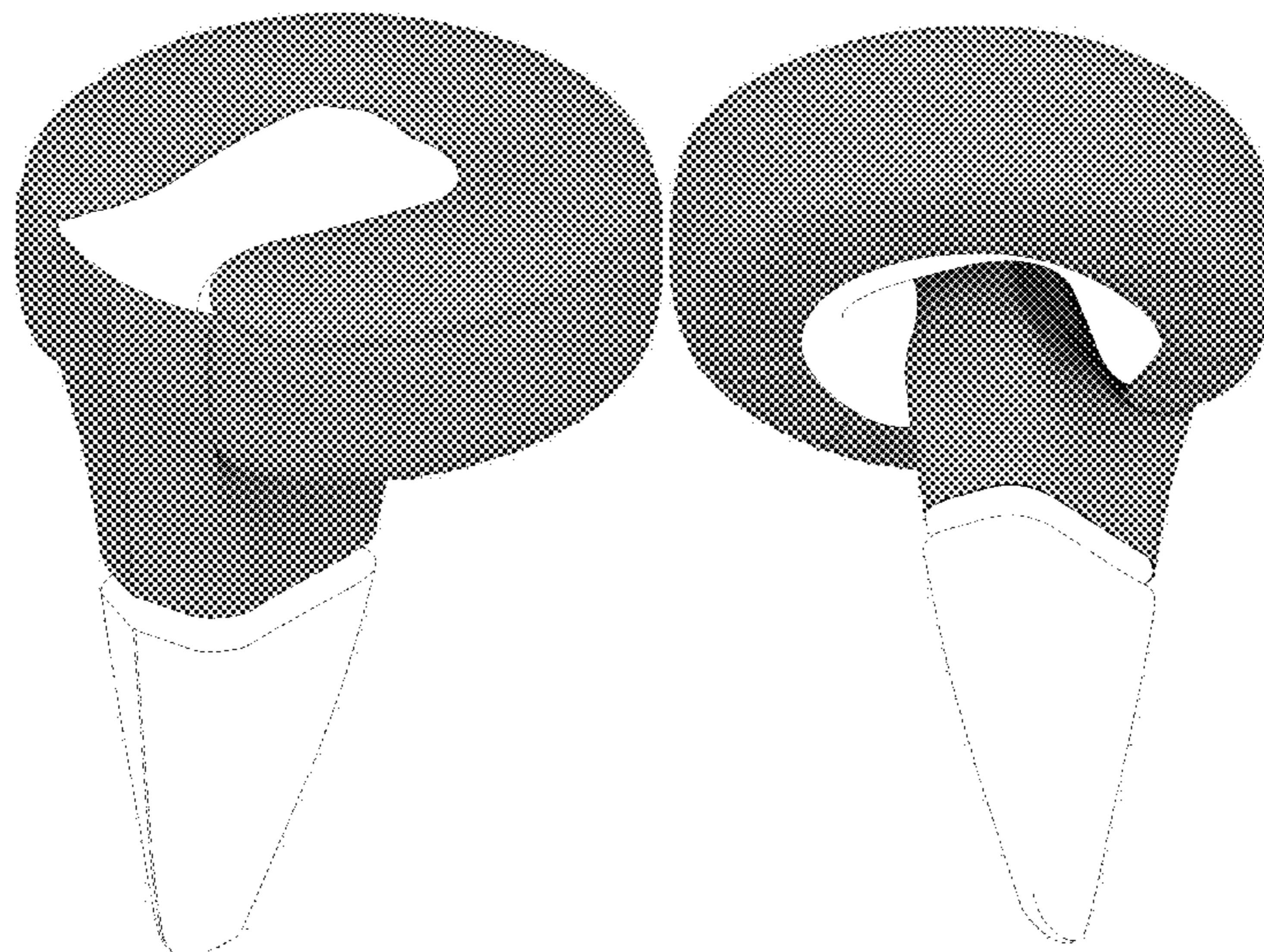
FIG. 8 is a rear elevational view thereof;

FIG. 9 is a top plan view thereof; and,

FIG. 10 is a bottom plan view thereof.

The broken lines in the drawings depict environment and form no part of the claimed design.

1 Claim, 10 Drawing Sheets



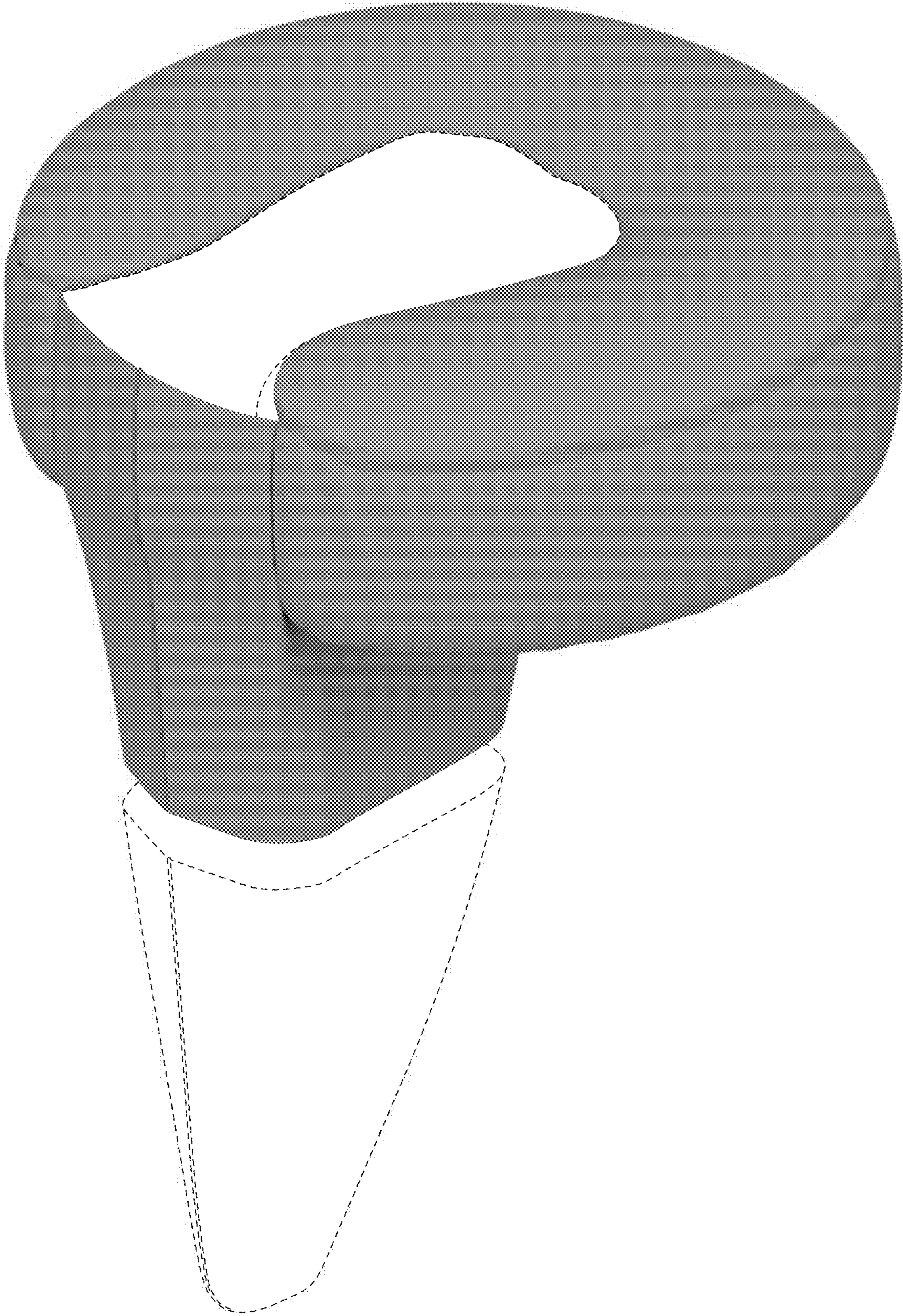


FIG. 1

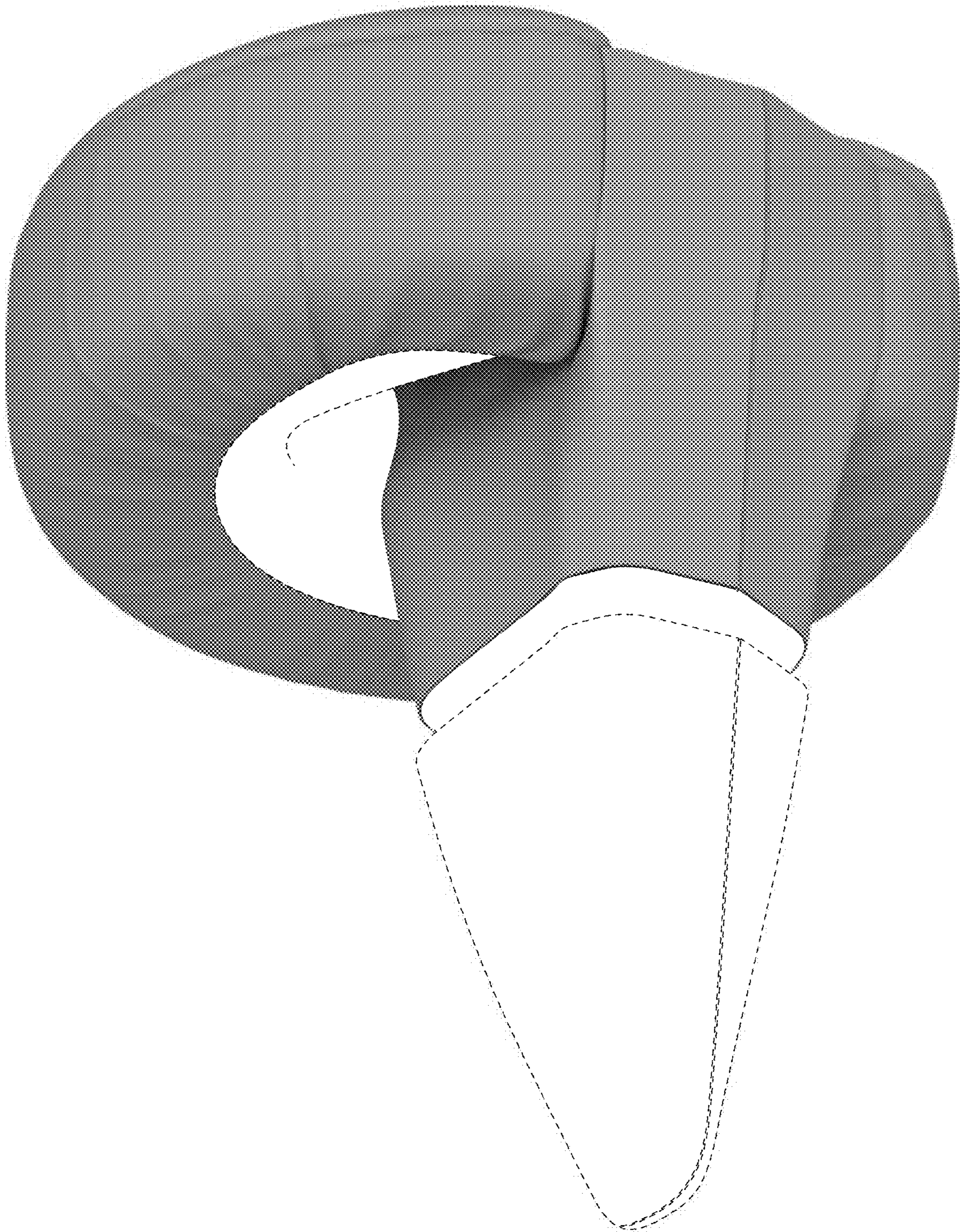


FIG. 2

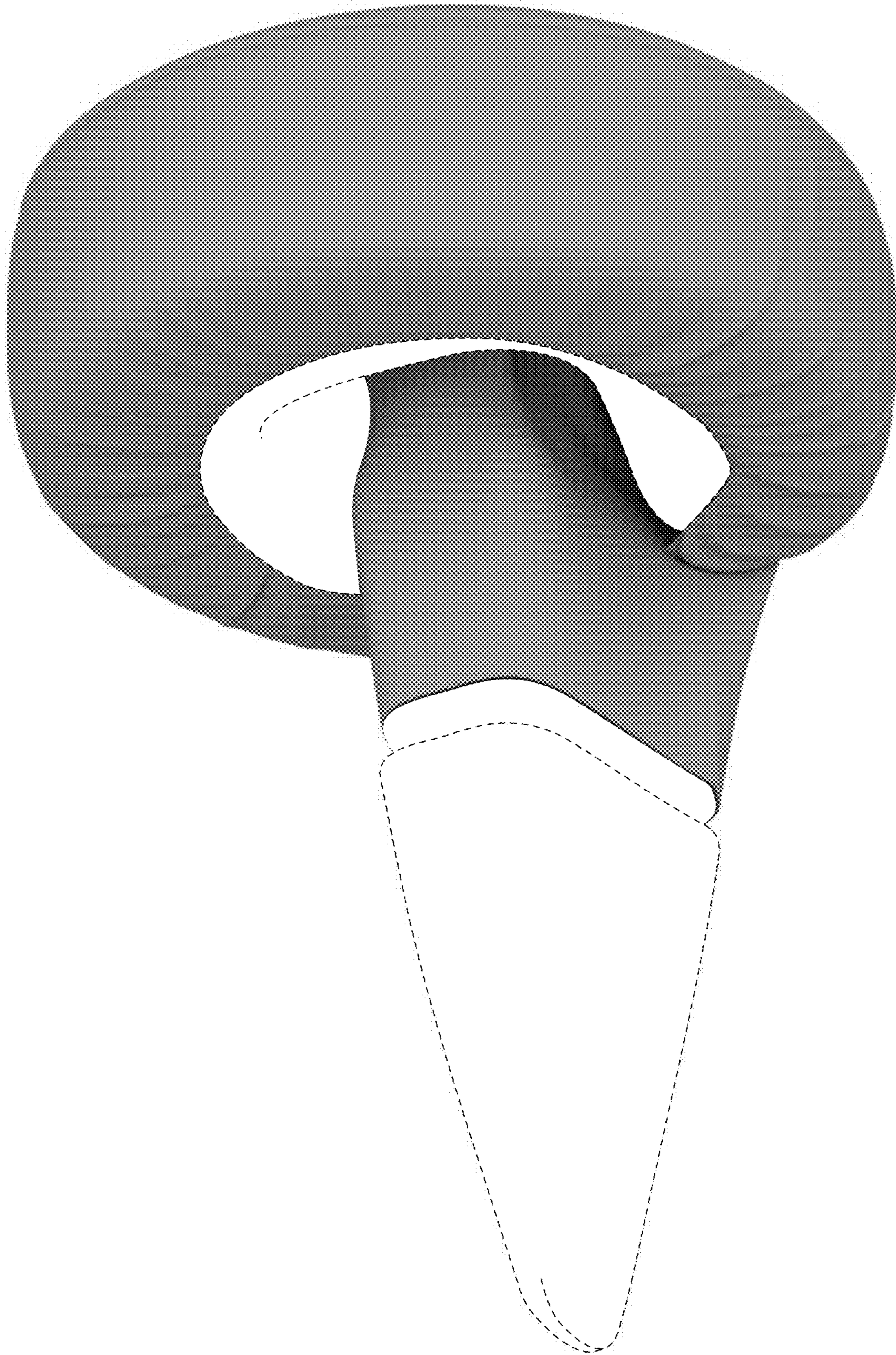


FIG. 3

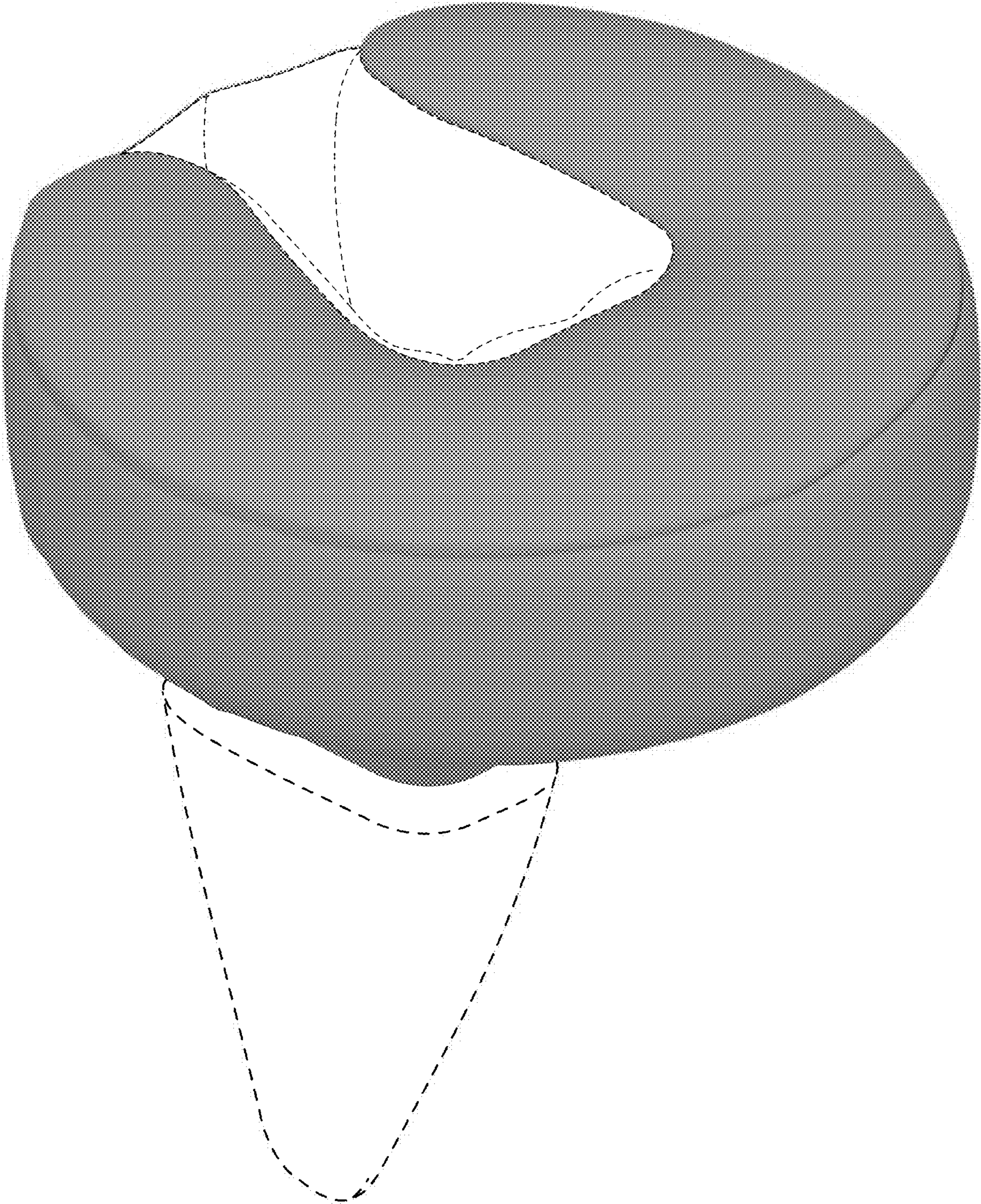


FIG. 4

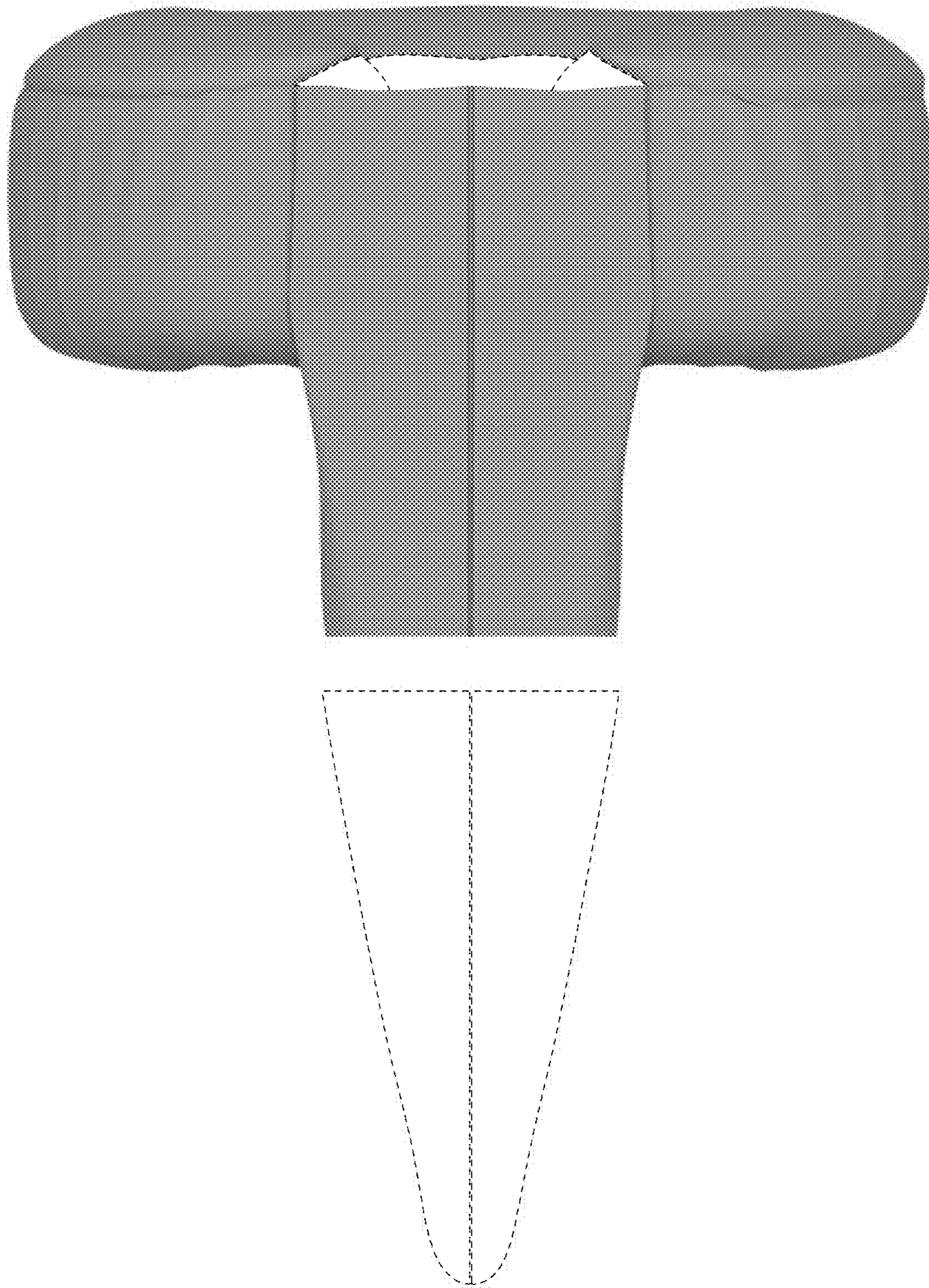


FIG. 5

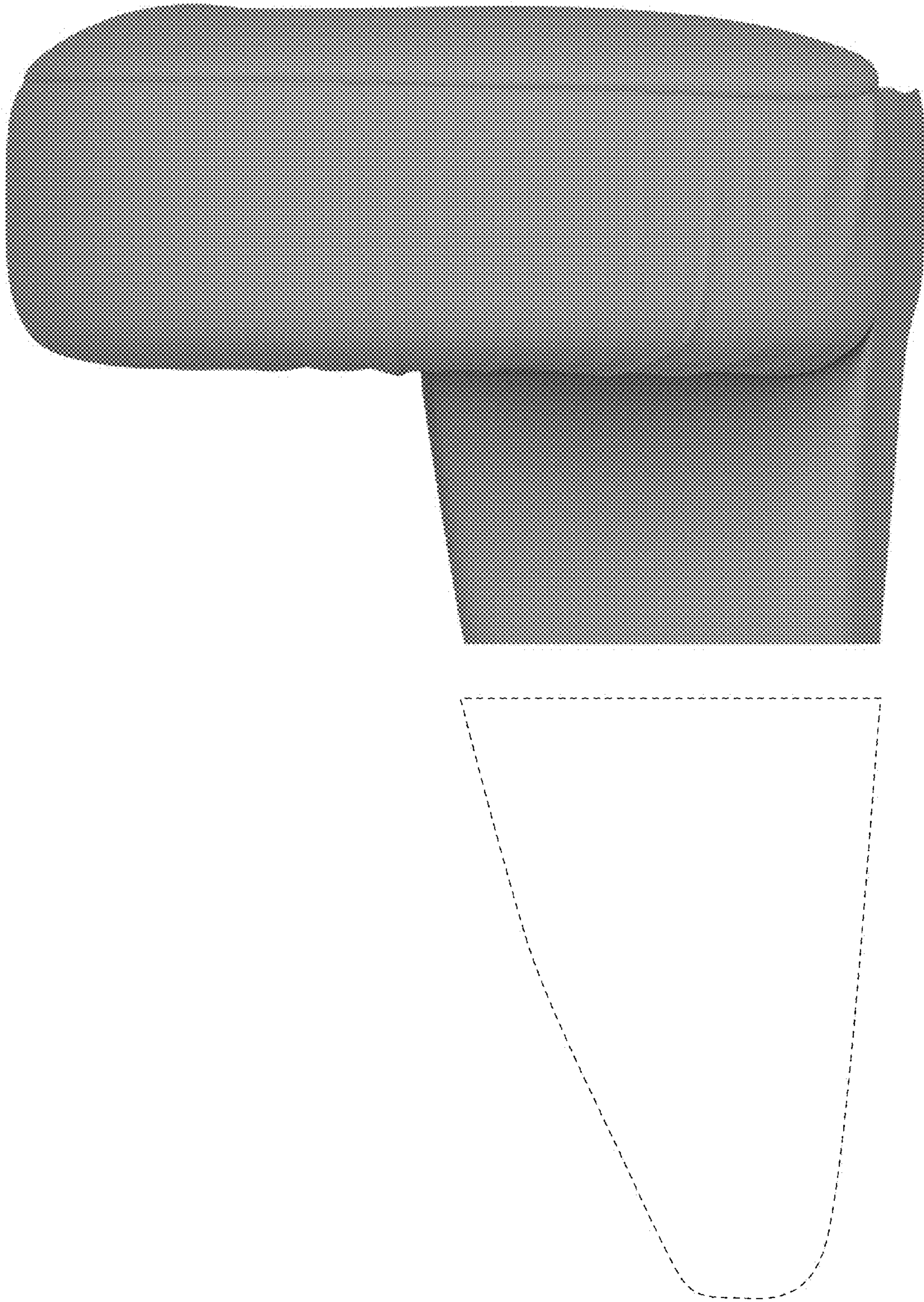


FIG. 6

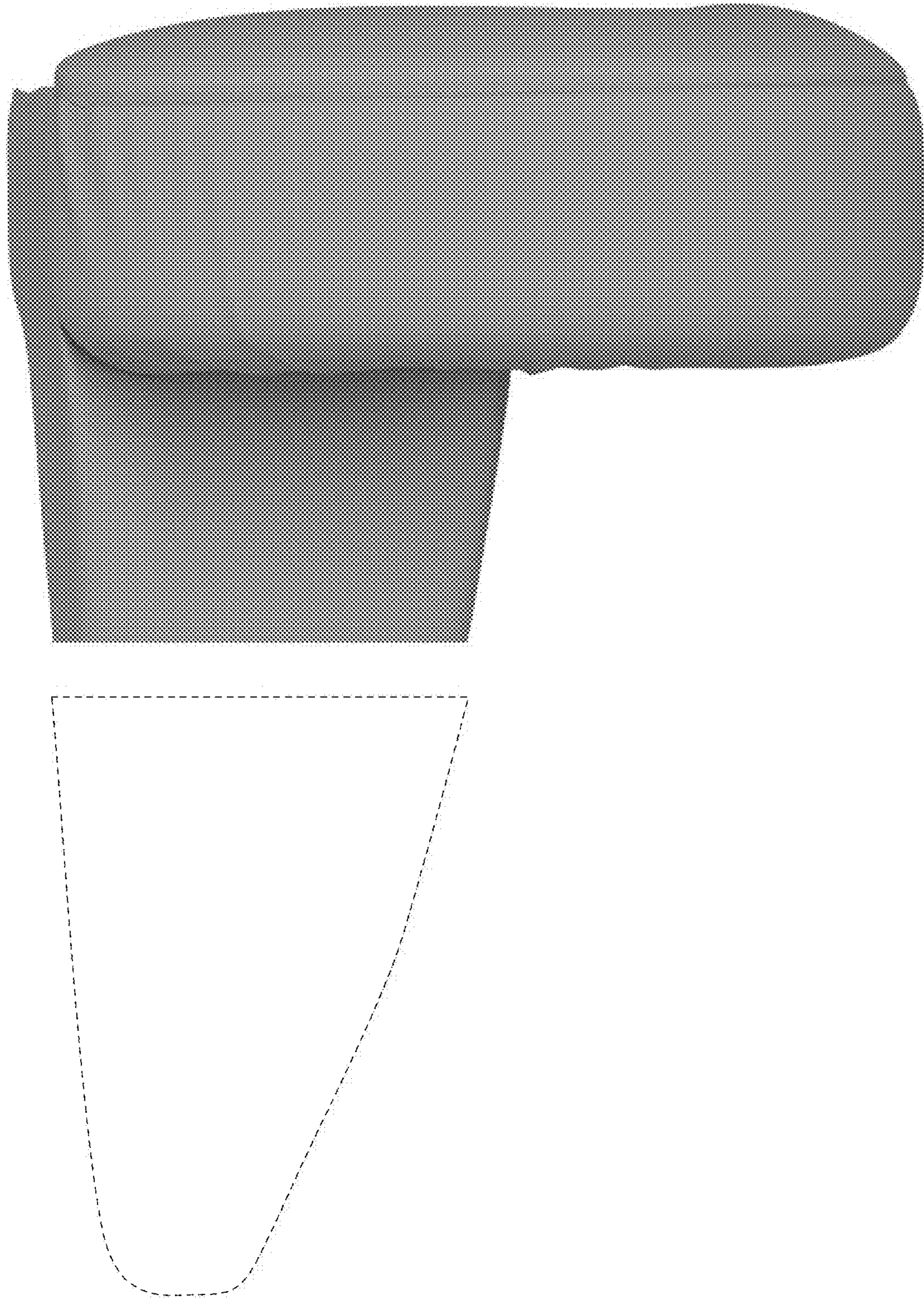


FIG. 7

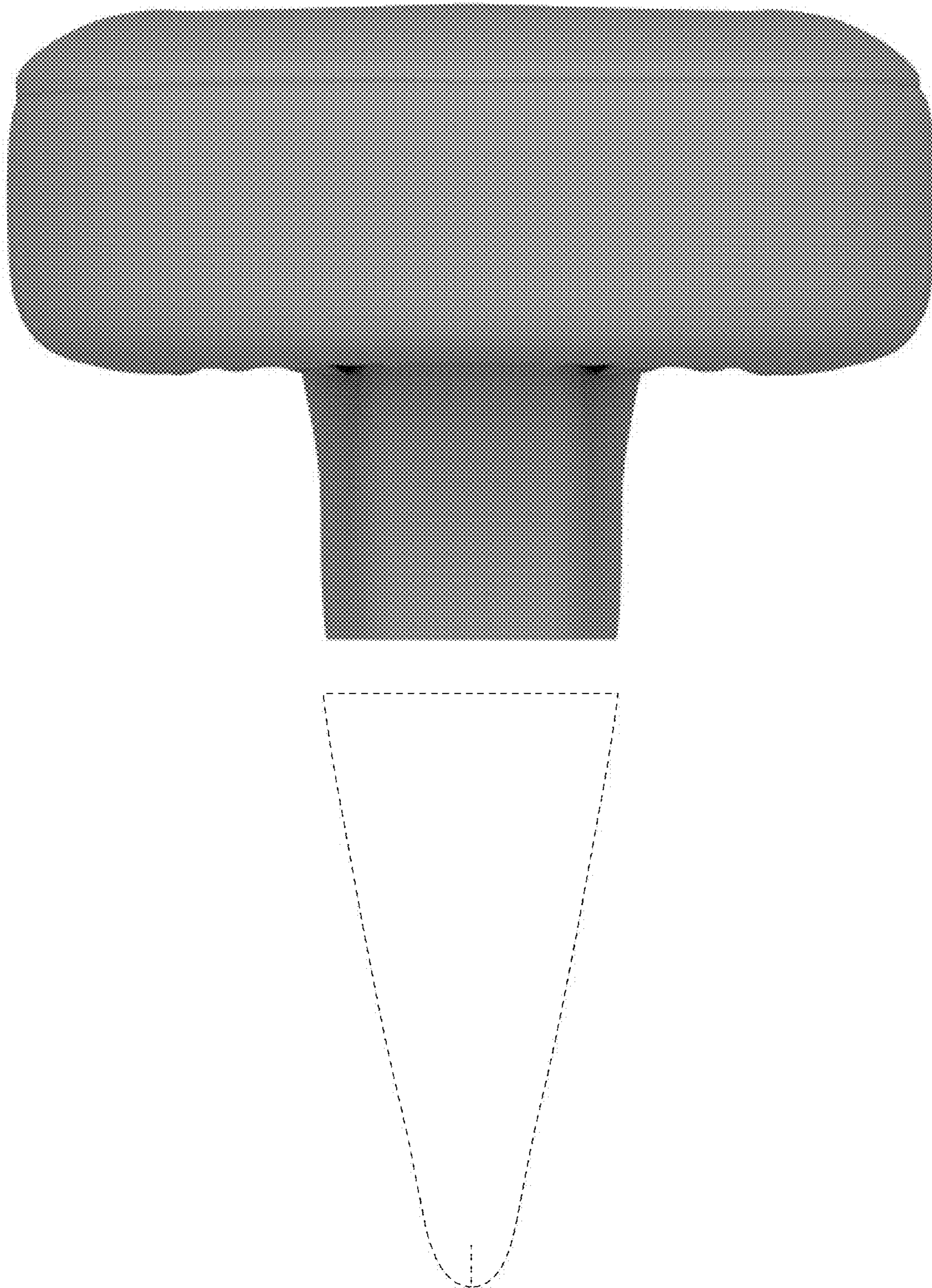


FIG. 8

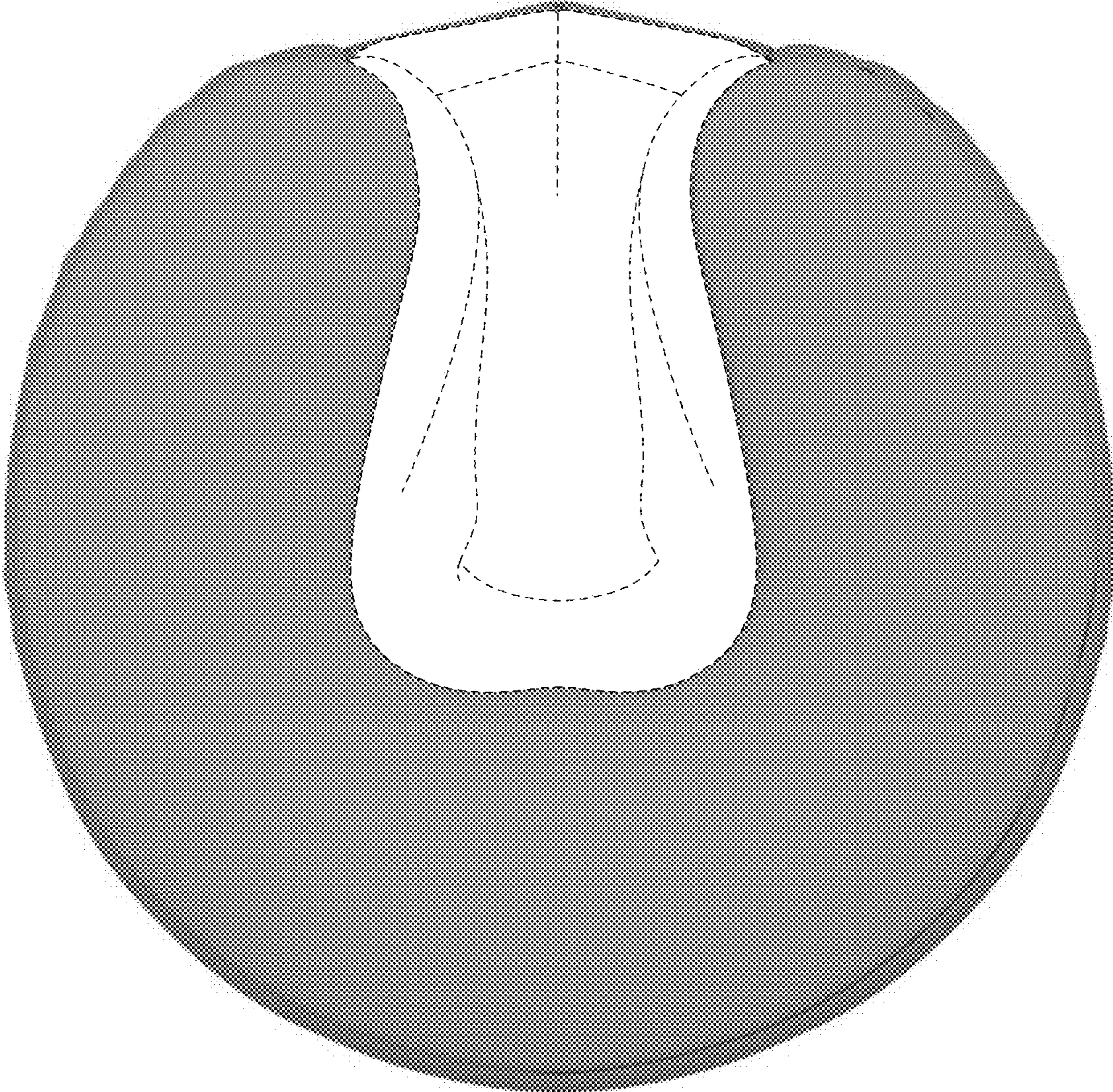


FIG. 9

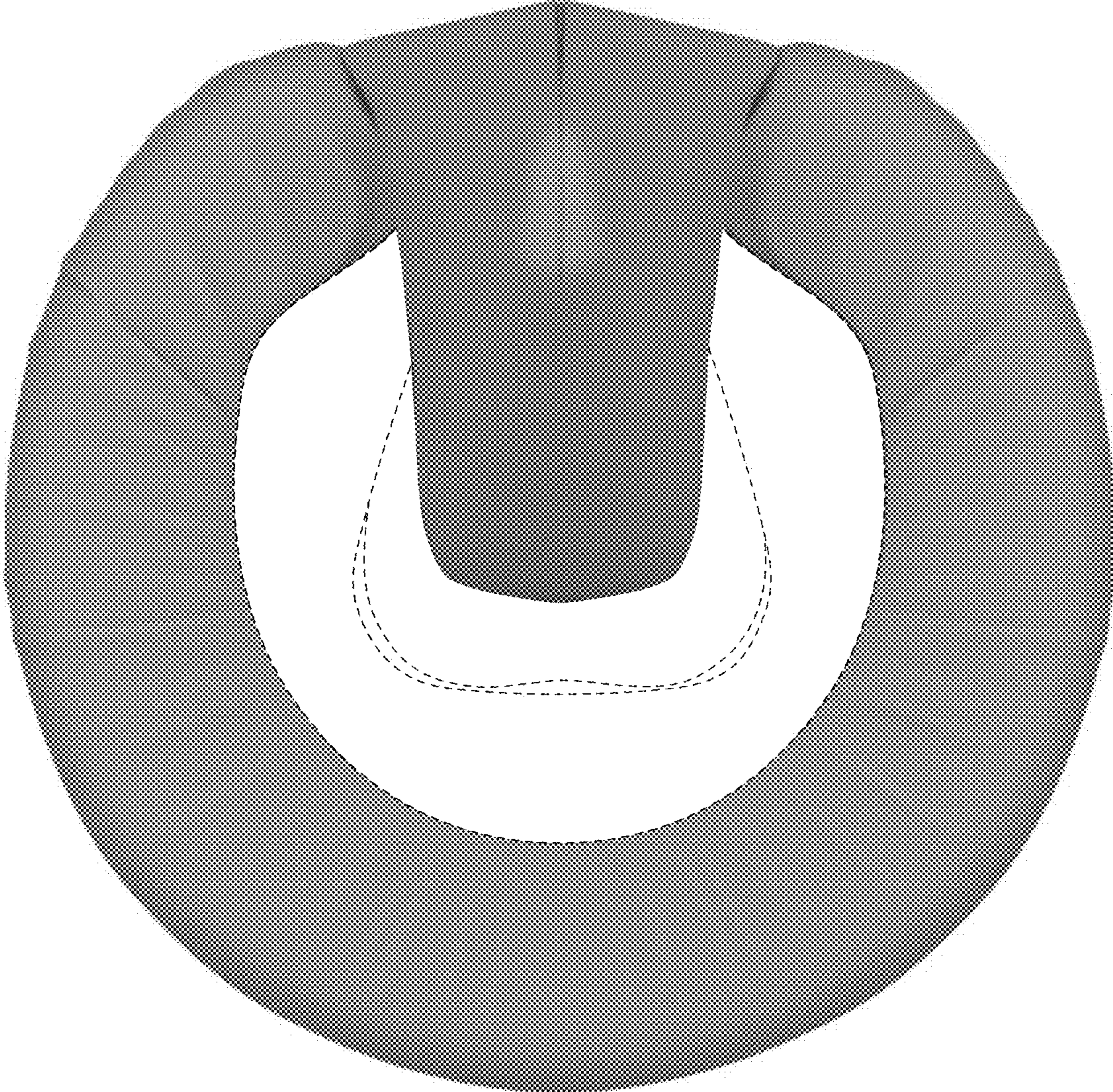


FIG. 10