



US0D1011788S

(12) **United States Design Patent**  
**Bing et al.**

(10) **Patent No.: US D1,011,788 S**

(45) **Date of Patent: \*\* Jan. 23, 2024**

(54) **BOTTLE STAND**

(71) Applicant: **Cintas Corporate Services, Inc.**,  
Cincinnati, OH (US)

(72) Inventors: **Richard R. Bing**, West Chester, OH  
(US); **Megan Kathryn Helms**,  
Hamilton, OH (US); **David Steven  
Mesko**, Wyoming, OH (US); **Michael  
E. Berger**, Brooklyn, NY (US); **Adem  
Önalán**, Jersey City, NJ (US); **Marco  
C. Perry**, Brooklyn, NY (US)

(73) Assignee: **Cintas Corporate Services, Inc.**,  
Cincinnati, OH (US)

(\*\*) Term: **15 Years**

(21) Appl. No.: **29/884,506**

(22) Filed: **Feb. 13, 2023**

**Related U.S. Application Data**

(62) Division of application No. 29/756,251, filed on Oct.  
27, 2020, now Pat. No. Des. 984,267.

(51) **LOC (14) Cl.** ..... **09-01**

(52) **U.S. Cl.**  
USPC ..... **D9/455**; D6/542

(58) **Field of Classification Search**  
USPC ..... D6/542-545; D9/455  
CPC ..... A47K 2005/1218; A47K 5/1211; A47K  
5/12; A47K 5/03; A47K 5/1205; B65D  
23/001; B65D 25/24  
See application file for complete search history.

(56) **References Cited**

**U.S. PATENT DOCUMENTS**

D103,562 S 3/1937 Cook  
D103,600 S 3/1937 Cook  
D206,494 S 12/1966 Watts et al.  
D207,808 S 5/1967 Coulthurst et al.

D210,567 S 3/1968 Stanziale et al.  
D222,034 S 9/1971 Bagn  
D283,282 S 4/1986 Haske  
D298,097 S 10/1988 Vogel et al.  
5,148,948 A 9/1992 Granville et al.  
D333,063 S 2/1993 Podesta Burke  
D335,791 S 5/1993 Cumley  
5,240,147 A 8/1993 Frazier et al.  
5,480,068 A 1/1996 Frazier et al.

(Continued)

**FOREIGN PATENT DOCUMENTS**

CN 3018032229 1/2012  
GB 4035175 7/2014

(Continued)

*Primary Examiner* — Brett Miller

*Assistant Examiner* — Rani J Abdallah

(74) *Attorney, Agent, or Firm* — Wood Herron & Evans  
LLP

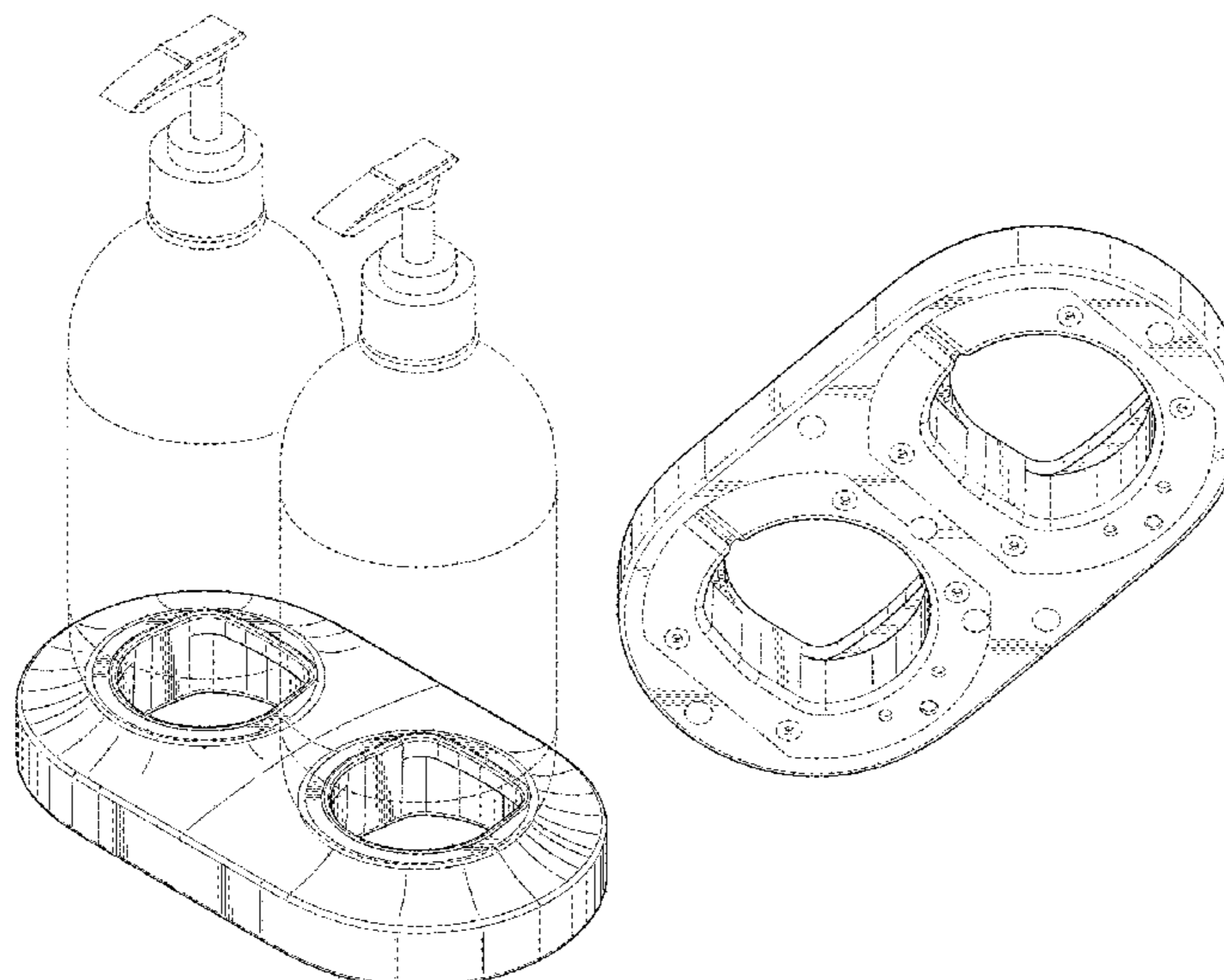
(57) **CLAIM**

An ornamental design for a bottle stand, as shown and  
described.

**DESCRIPTION**

FIG. 1 is a front right top isometric/perspective view of a  
bottle stand showing our new design;  
FIG. 2 is front left bottom isometric/perspective view  
thereof;  
FIG. 3 is a front elevation view thereof, the rear view being  
identical thereof;  
FIG. 4 is a left side elevation view, the right side view being  
identical thereof;  
FIG. 5 is a top plan view thereof; and,  
FIG. 6 is a bottom plan view thereof.  
The broken lines of the bottle shown in FIG. 1 are shown for  
environmental aspects that form no part of the claimed  
design. The broken lines shown in FIGS. 2-4 and 6 illustrate  
portions of the bottle stand that form no part of the claimed  
design.

**1 Claim, 5 Drawing Sheets**



(56)

**References Cited**

## U.S. PATENT DOCUMENTS

D383,025	S	9/1997	Warshawsky
D396,763	S	8/1998	Borcherds
D424,443	S	5/2000	Panetti
D441,999	S	5/2001	Kauzlarich et al.
6,910,604	B2	6/2005	Gugliotti et al.
D525,534	S	7/2006	Snell
D531,497	S	11/2006	Blasko et al.
7,315,245	B2	1/2008	Lynn et al.
D626,366	S	11/2010	Schmidt et al.
D642,840	S	8/2011	Dretzka
8,365,963	B2	2/2013	McCullough et al.
D761,040	S	7/2016	Barclay
9,427,117	B2	8/2016	Barclay
D776,536	S	1/2017	Emoff et al.
D801,177	S	10/2017	Gillespie
D877,531	S	3/2020	Palomba et al.
D878,091	S	3/2020	Palomba et al.
D885,908	S	6/2020	Dycus
D905,466	S	12/2020	Rossi
D906,007	S	12/2020	Rossi
D913,095	S	3/2021	Kobayashi et al.
D915,101	S	4/2021	Rush
2009/0050598	A1	2/2009	Huang et al.
2012/0006851	A1	1/2012	McCullough et al.
2013/0098941	A1	4/2013	Wegelin
2021/0390836	A1	12/2021	Marshall et al.
2022/0167802	A1	6/2022	Bing et al.

## FOREIGN PATENT DOCUMENTS

JP	D1666729	8/2020
KR	300942148.0000	1/2018
KR	301031895.0000	11/2019

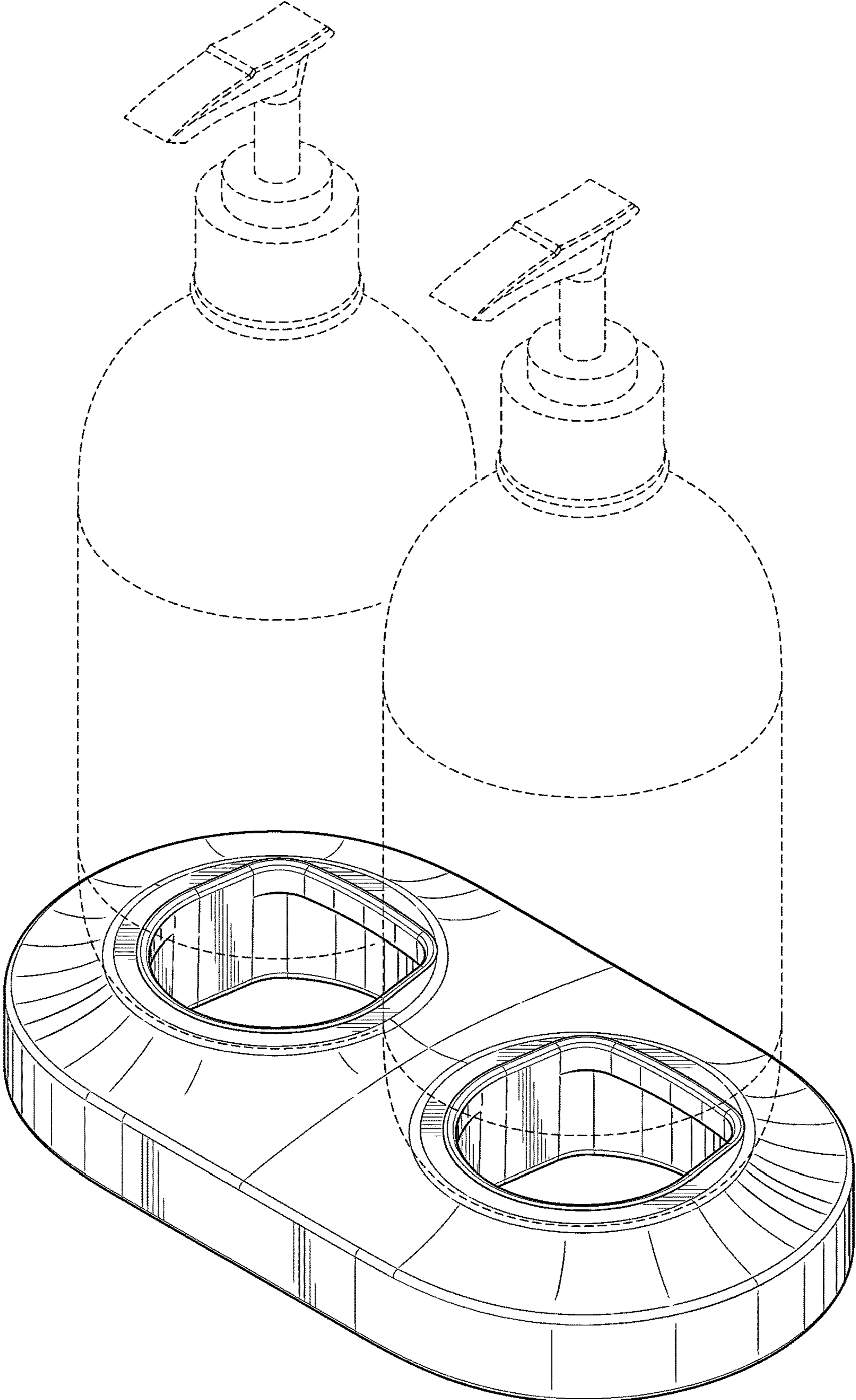


FIG. 1

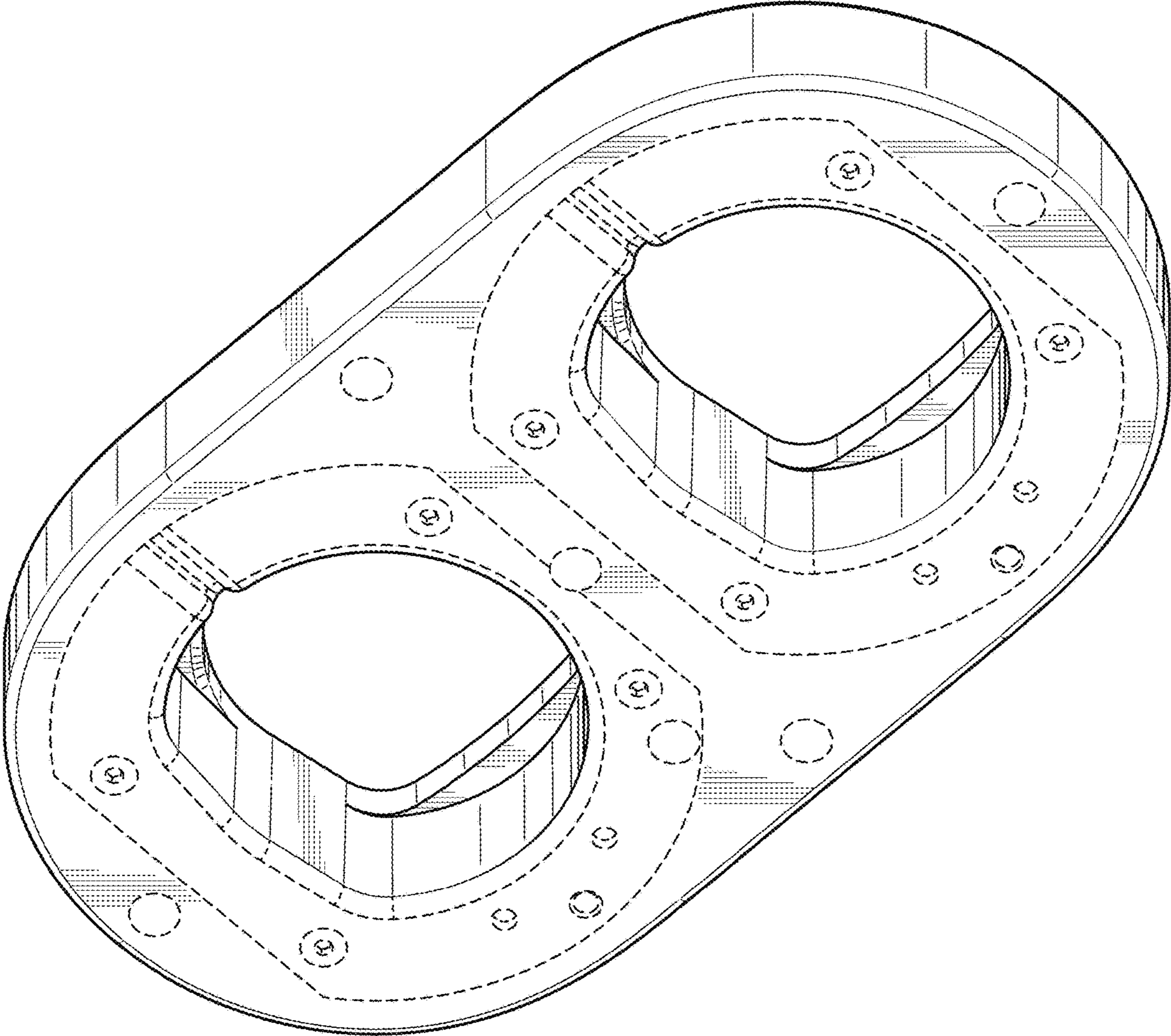


FIG. 2

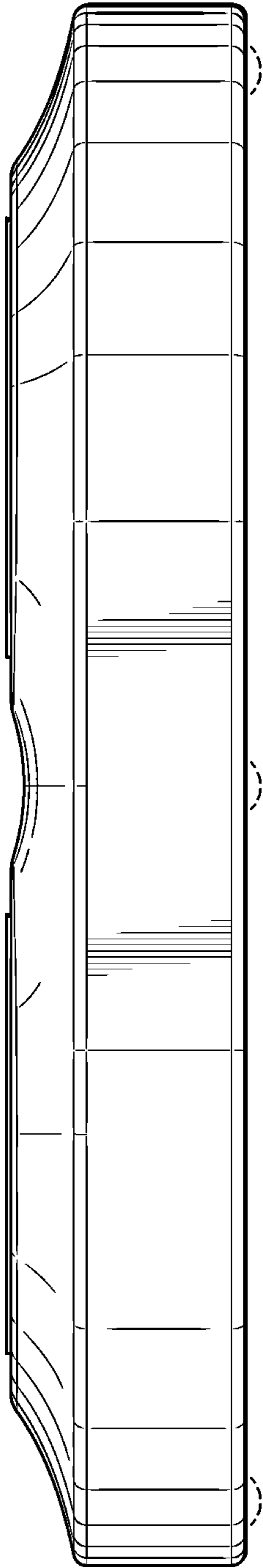


FIG. 3

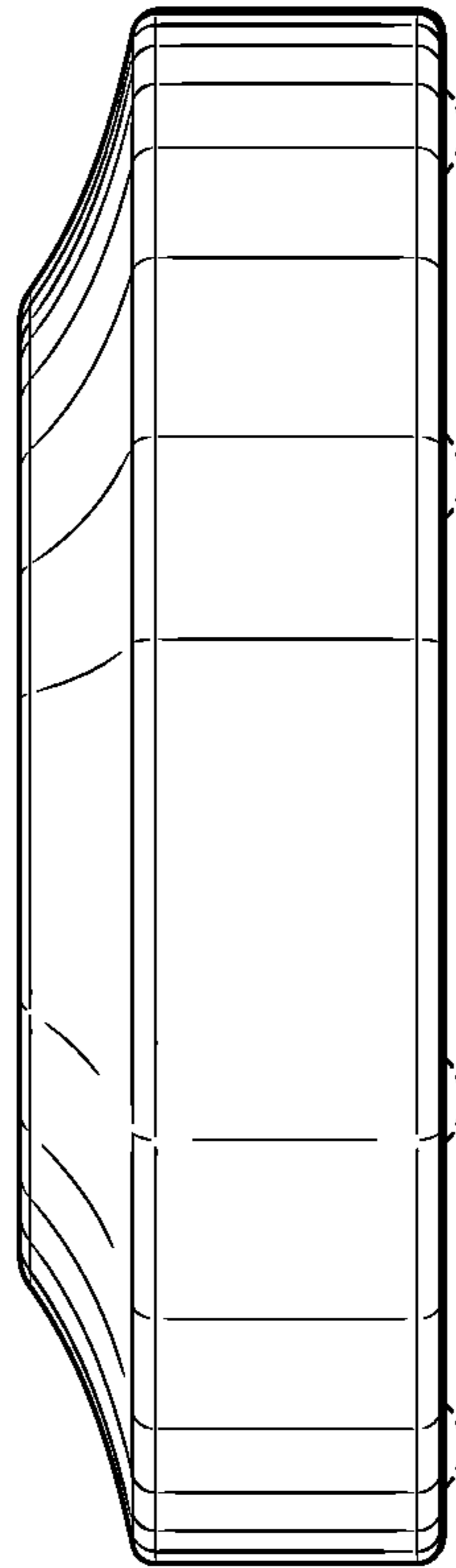


FIG. 4

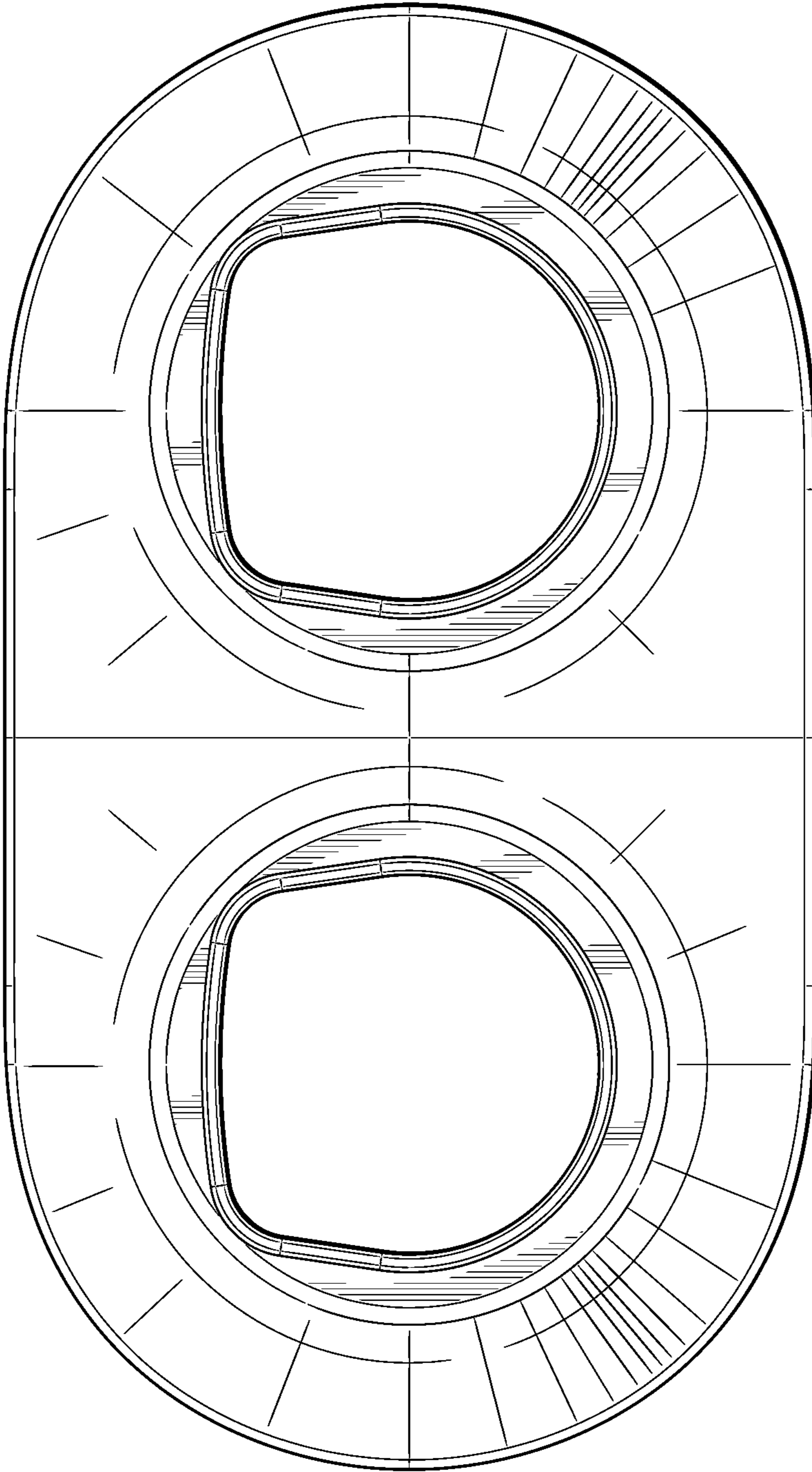


FIG. 5

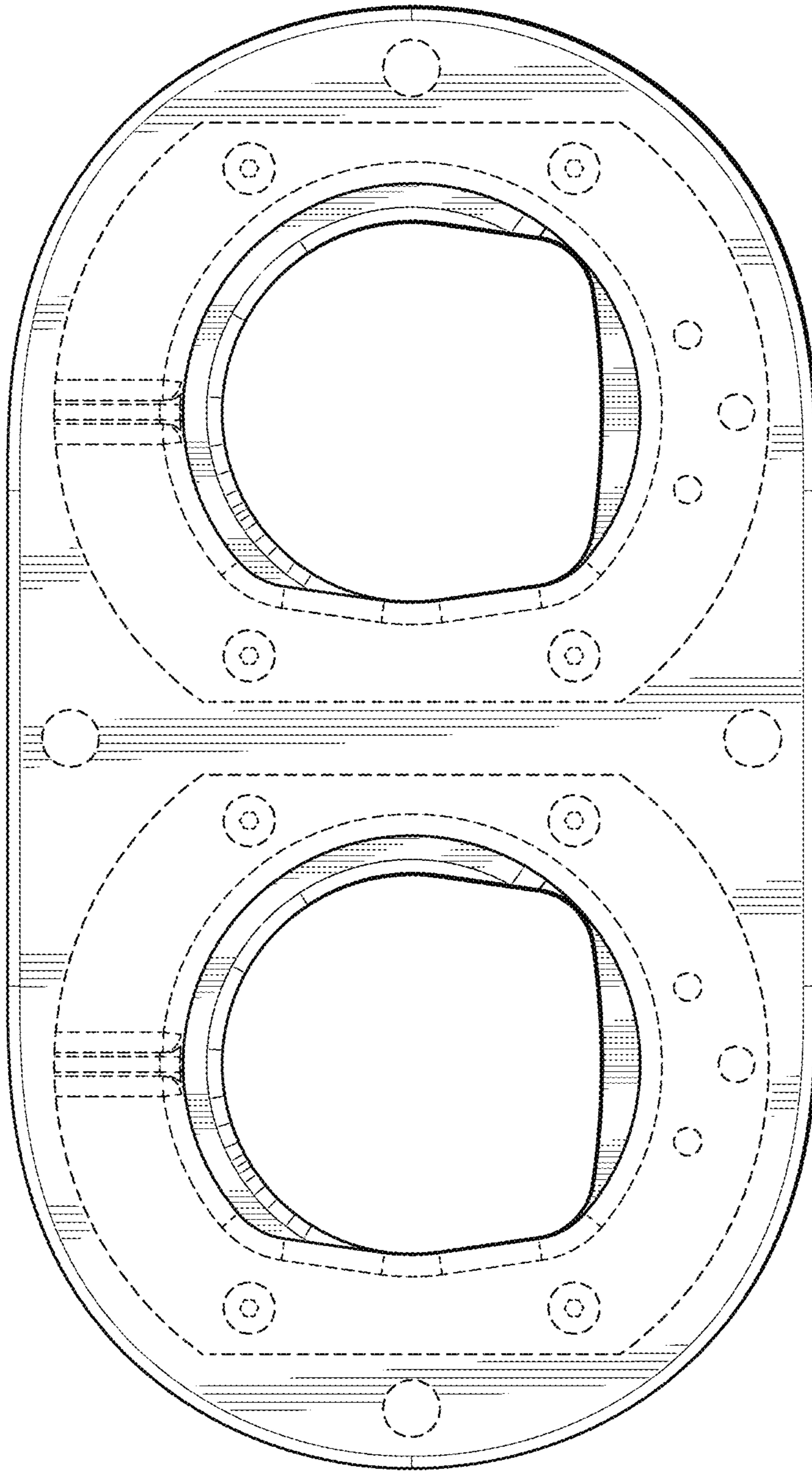


FIG. 6