



US0D1011782S

(12) **United States Design Patent** (10) **Patent No.:** **US D1,011,782 S**  
**Rukab** (45) **Date of Patent:** **\*\* Jan. 23, 2024**

(54) **JEWELRY STORAGE AND DISPLAY DEVICE**

**DESCRIPTION**

(71) Applicant: **Abeer Rukab**, East Jacksonville, FL (US)  
(72) Inventor: **Abeer Rukab**, East Jacksonville, FL (US)  
(\*\*) Term: **15 Years**  
(21) Appl. No.: **29/745,211**  
(22) Filed: **Aug. 4, 2020**  
(51) **LOC (14) Cl.** ..... **06-08**  
(52) **U.S. Cl.**  
USPC ..... **D6/315**  
(58) **Field of Classification Search**  
USPC ..... D6/315, 317, 512; D9/415, 457  
(Continued)

(56) **References Cited**

**U.S. PATENT DOCUMENTS**

D191,557 S \* 10/1961 Oliver ..... D6/315  
3,138,259 A \* 6/1964 Sitt ..... A47F 7/02  
211/85.2

(Continued)

**OTHER PUBLICATIONS**

3 Pack Hanging Jewelry Organizer. Foraineam (online) 11 pgs. Available Nov. 7, 2019. [Retrieved Apr. 27, 2023] <https://www.amazon.com/Foraineam-Organizer-Necklace-Earrings-Bracelet/dp/B08148K838> (Year: 2019).\*

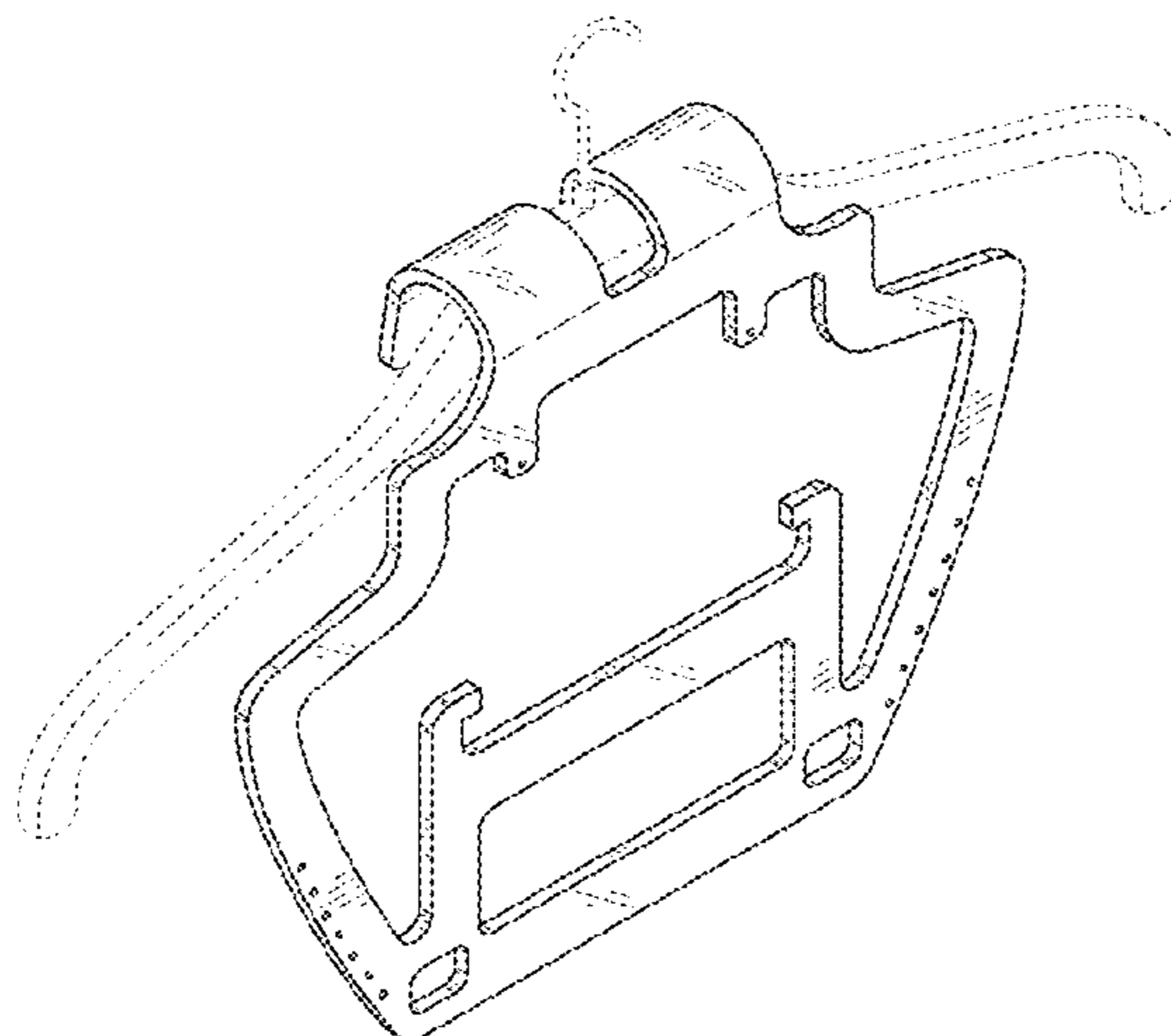
*Primary Examiner* — Marie D. Fast Horse  
*Assistant Examiner* — Jennifer Sierra Yosinski  
(74) *Attorney, Agent, or Firm* — Charney IP Law LLC

(57) **CLAIM**

The ornamental design for a jewelry storage and display device, as shown and described.

FIG. 1 is a frontal perspective view of a jewelry storage and display device in accordance with a first embodiment of the invention;  
FIG. 2 is a front view of the jewelry storage and display device of FIG. 1;  
FIG. 3 is a rear view of the jewelry storage and display device of FIG. 1;  
FIG. 4 is a left side view of the jewelry storage and display device of FIG. 1;  
FIG. 5 is a right side view of the jewelry storage and display device of FIG. 1;  
FIG. 6 is a top view of the jewelry storage and display device of FIG. 1;  
FIG. 7 is a bottom view of the jewelry storage and display device of FIG. 1;  
FIG. 8 is a frontal perspective view of the jewelry storage and display device of FIG. 1 depicted an environment of possible use;  
FIG. 9 is a frontal perspective view of a jewelry storage and display device in accordance with a second embodiment of the invention;  
FIG. 10 is a front view of the jewelry storage and display device of FIG. 9;  
FIG. 11 is a rear view of the jewelry storage and display device of FIG. 9;  
FIG. 12 is a left side view of the jewelry storage and display device of FIG. 9;  
FIG. 13 is a right side view of the jewelry storage and display device of FIG. 9;  
FIG. 14 is a top view of the jewelry storage and display device of FIG. 9;  
FIG. 15 is a bottom view of the jewelry storage and display device of FIG. 9; and,  
FIG. 16 is a frontal perspective view of the jewelry storage and display device of FIG. 9 depicted in an environment of possible use.  
The broken lines shown in the drawings depict portions of the jewelry storage and display device that form no part of claimed design. The hangers seen in broken lines in FIGS. 8 and 16 are environmental and form no part of the claimed design.

(Continued)



The oblique line shading represents transparent, translucent, shiny, or glossy surface treatment.

**1 Claim, 8 Drawing Sheets**

**(58) Field of Classification Search**

CPC ..... A47G 25/16; A47F 7/00; A47F 5/0006;  
B65D 73/0064

See application file for complete search history.

**(56) References Cited**

U.S. PATENT DOCUMENTS

D281,036 S \* 10/1985 Martin, Jr. .... D6/315  
D303,599 S \* 9/1989 Smith ..... D6/524  
D324,781 S \* 3/1992 Uke ..... D6/315  
5,240,120 A \* 8/1993 McDonough ..... A47F 7/02  
211/85.2  
D389,324 S \* 1/1998 Chiasson ..... D6/315  
9,215,943 B1 \* 12/2015 Varghese-Abraham .....  
A47G 25/743  
D795,598 S \* 8/2017 Macias ..... D6/315  
D819,344 S \* 6/2018 Klar ..... D6/315  
D873,580 S \* 1/2020 McGarry ..... D6/526  
D986,603 S \* 5/2023 Yeadon ..... D6/315  
2009/0057166 A1 \* 3/2009 Nelson ..... A47G 25/14  
206/6.1  
2016/0058210 A1 \* 3/2016 Strassburger ..... A47F 7/02  
248/340

\* cited by examiner

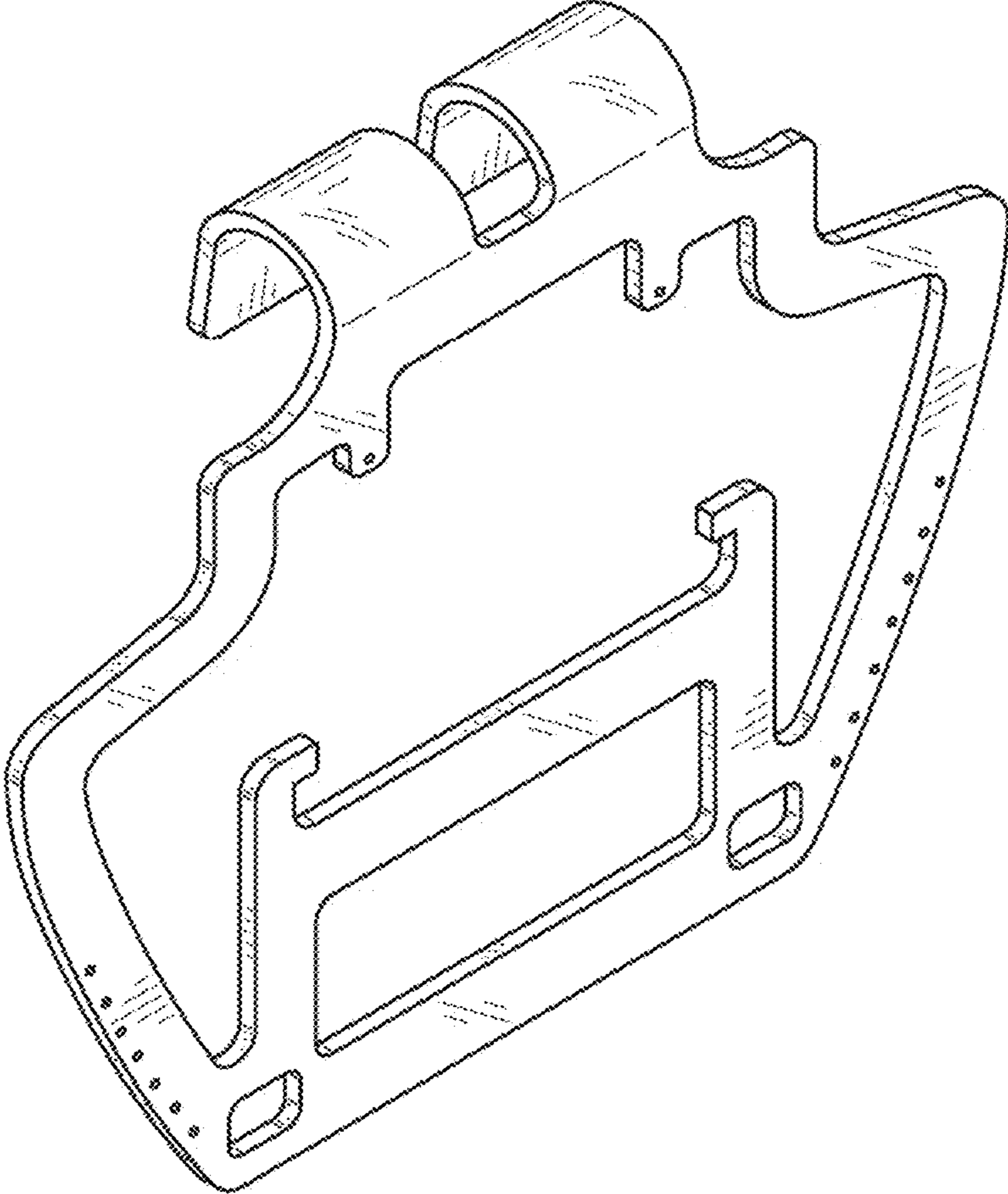


FIG. 1

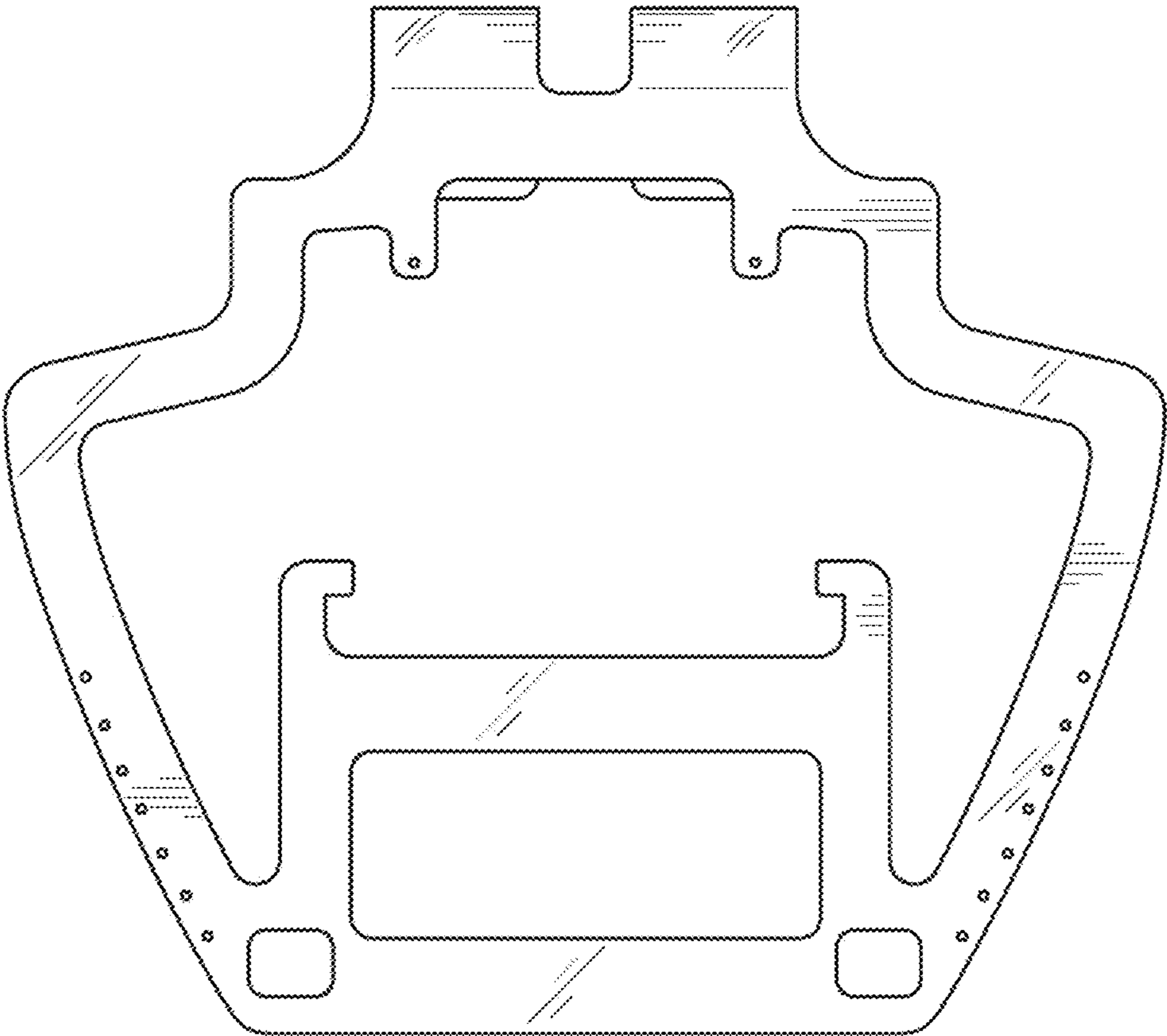


FIG. 2

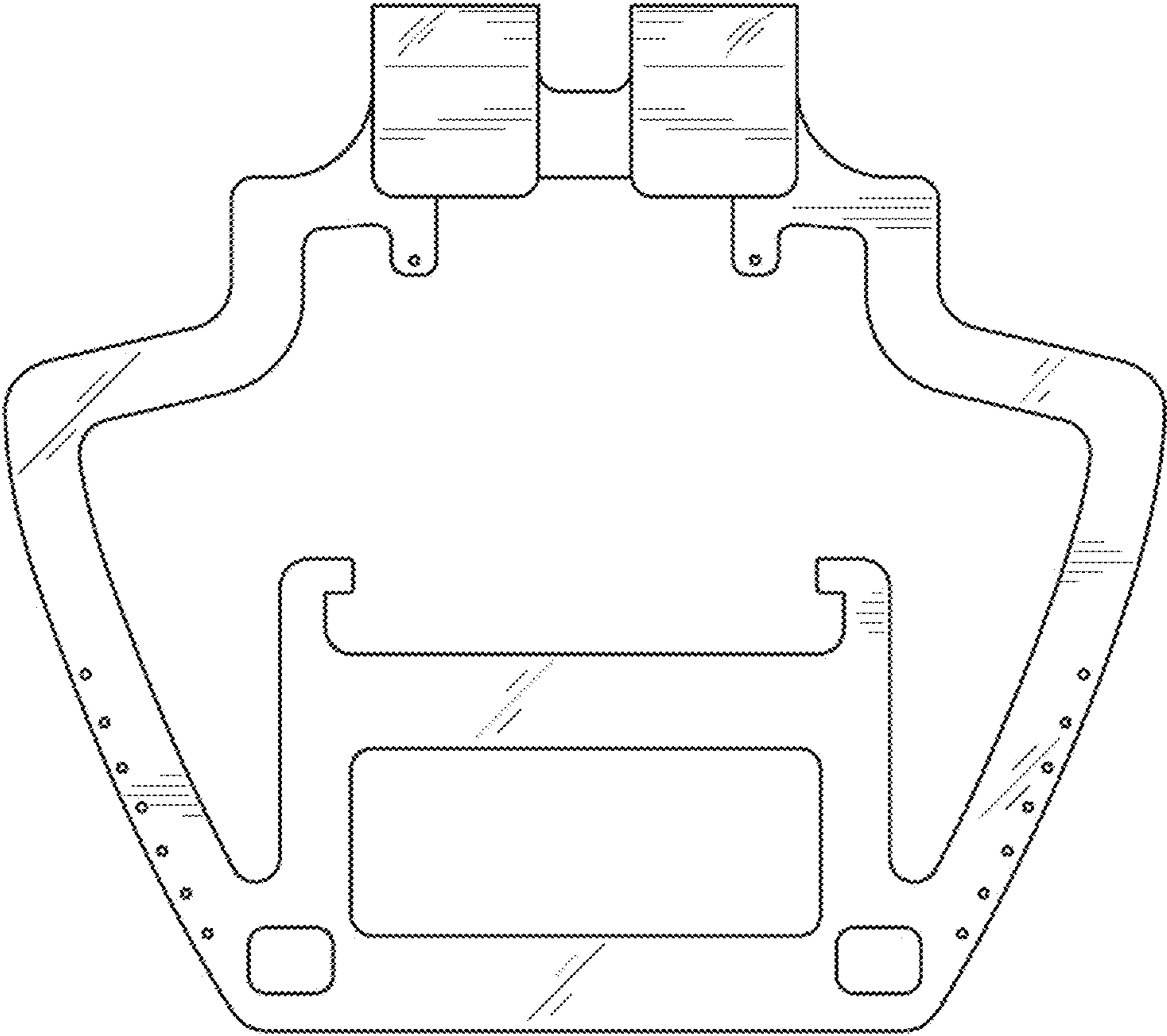


FIG. 3



FIG. 4

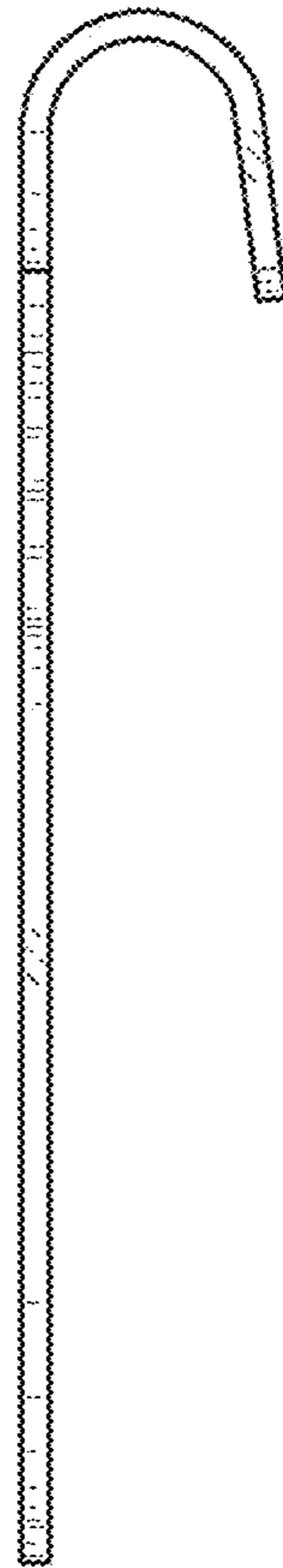


FIG. 5

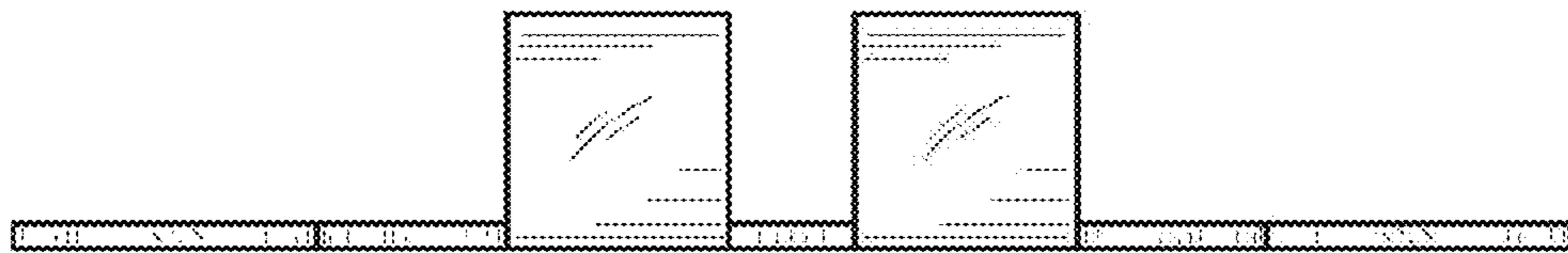


FIG. 6

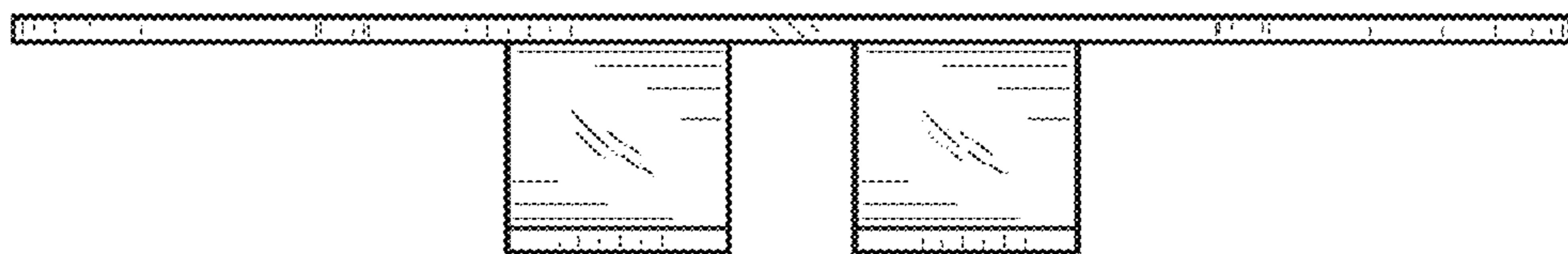


FIG. 7

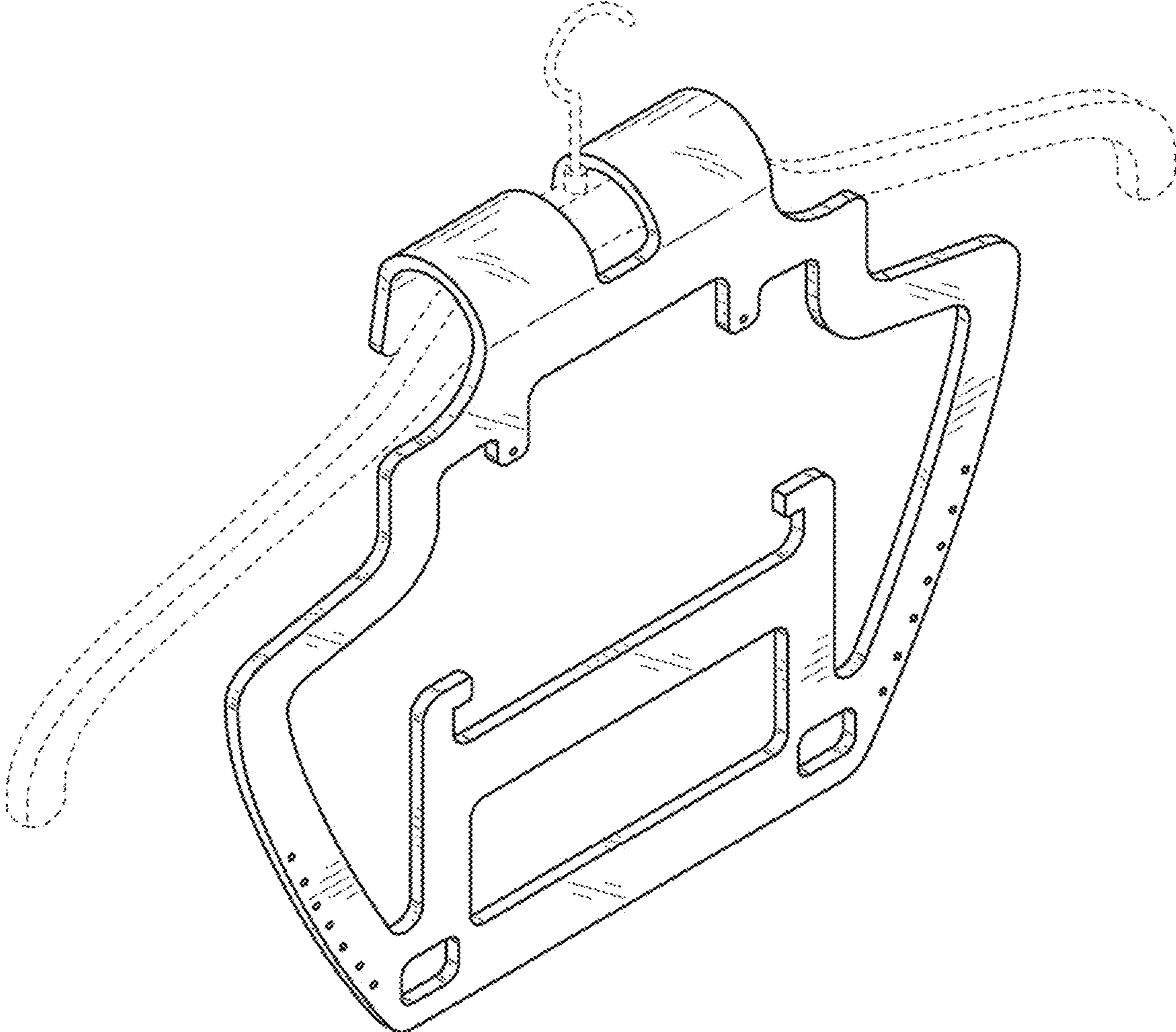


FIG. 8

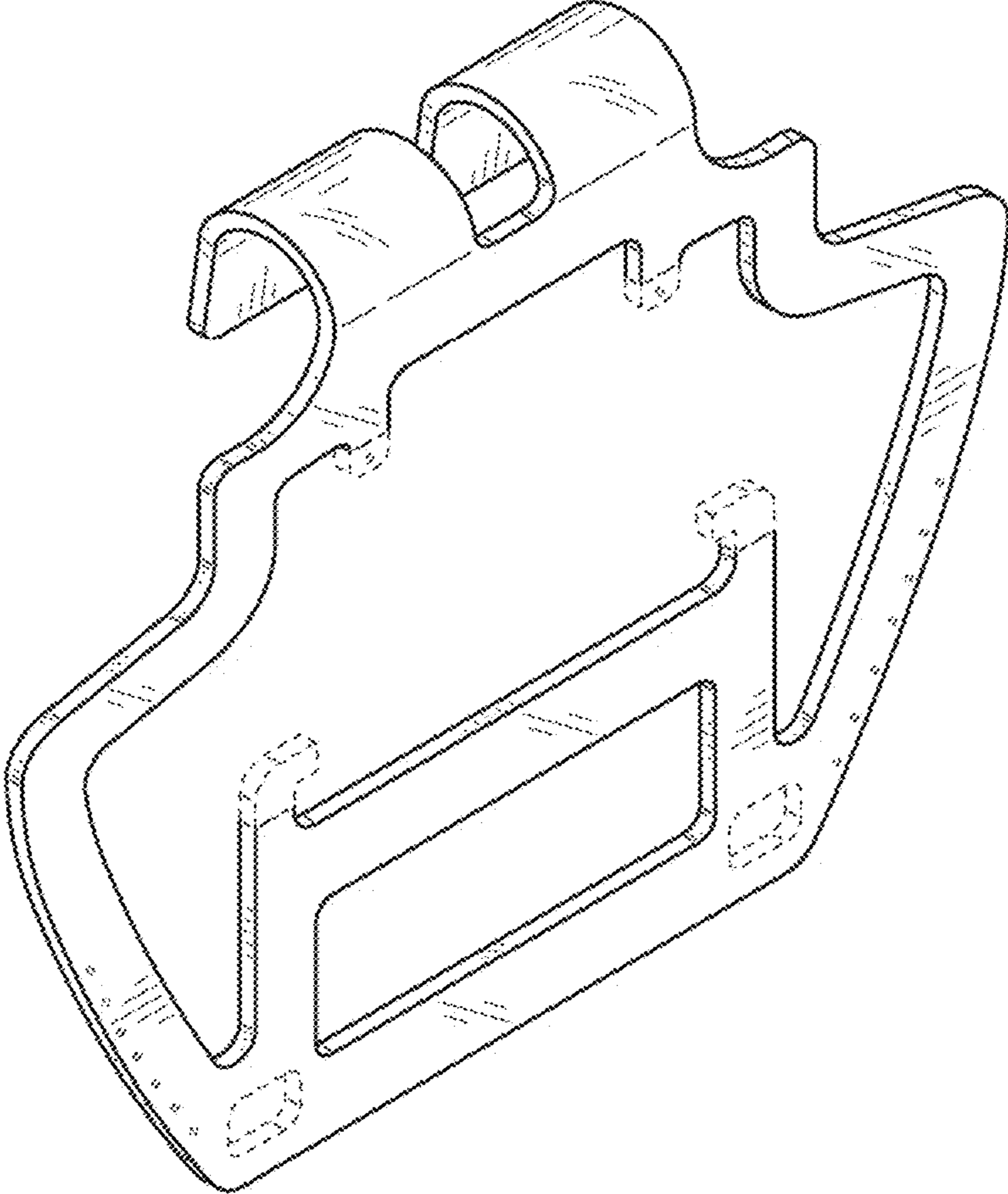


FIG. 9

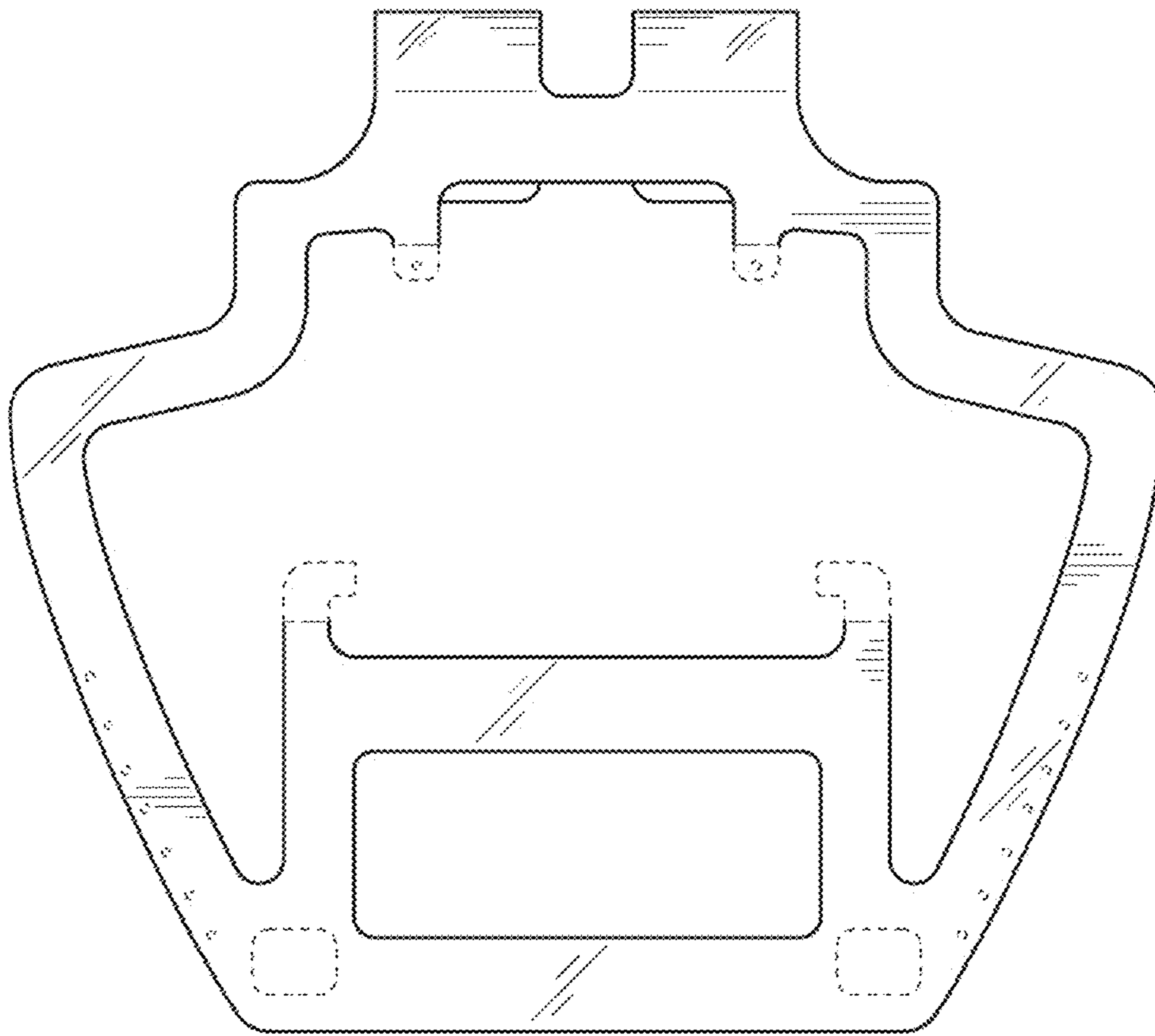


FIG. 10

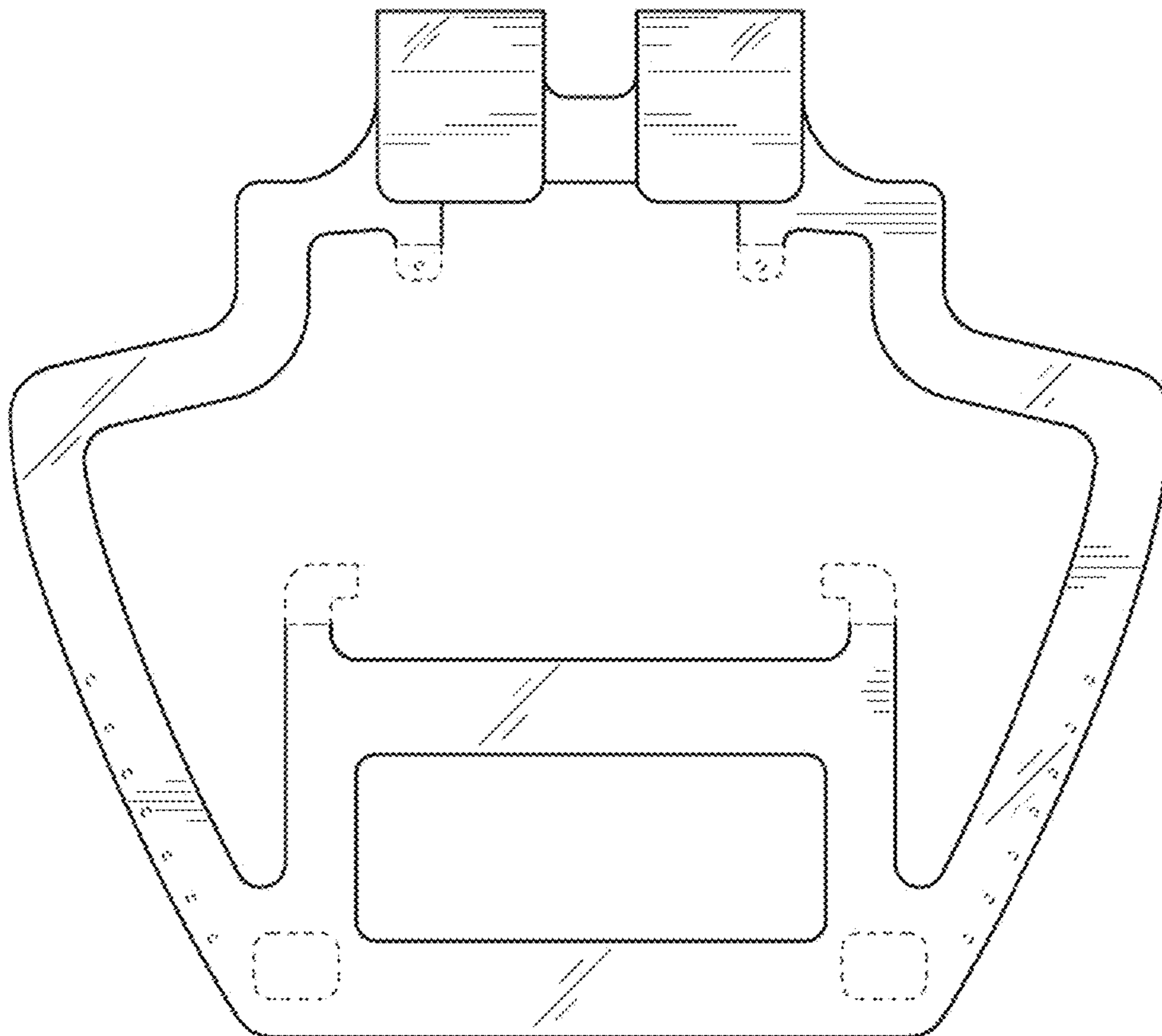


FIG. 11



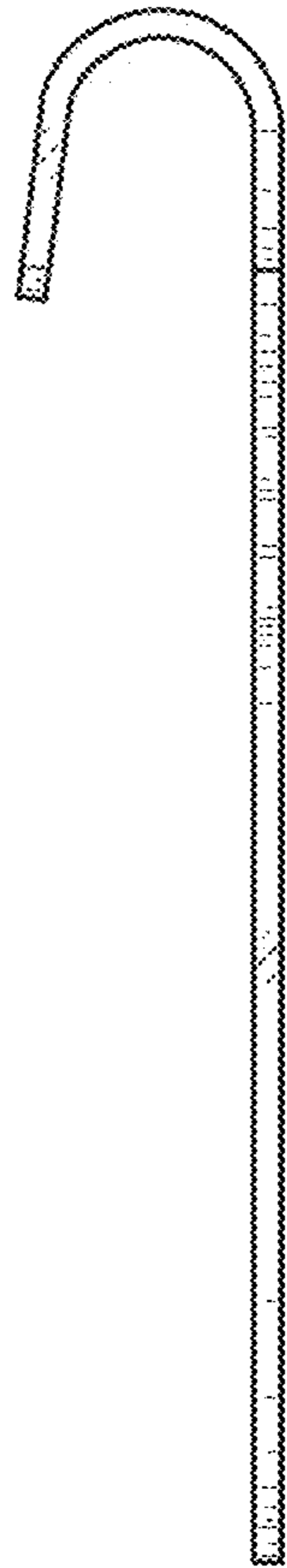


FIG. 12

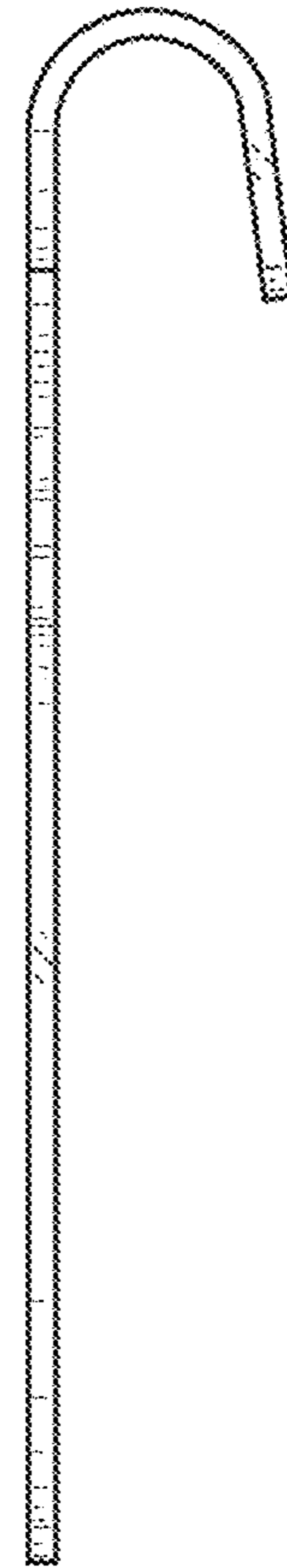


FIG. 13

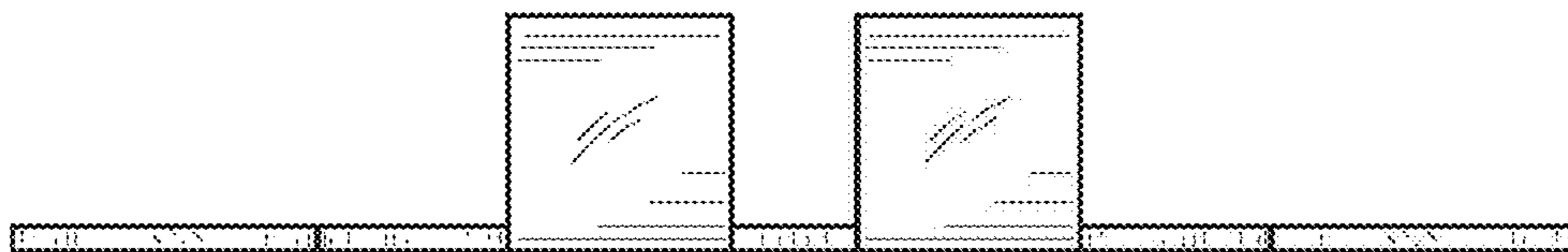


FIG. 14

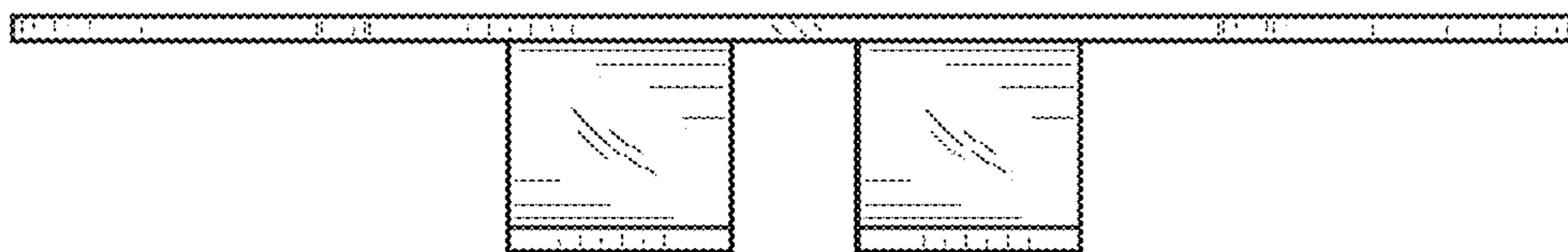


FIG. 15

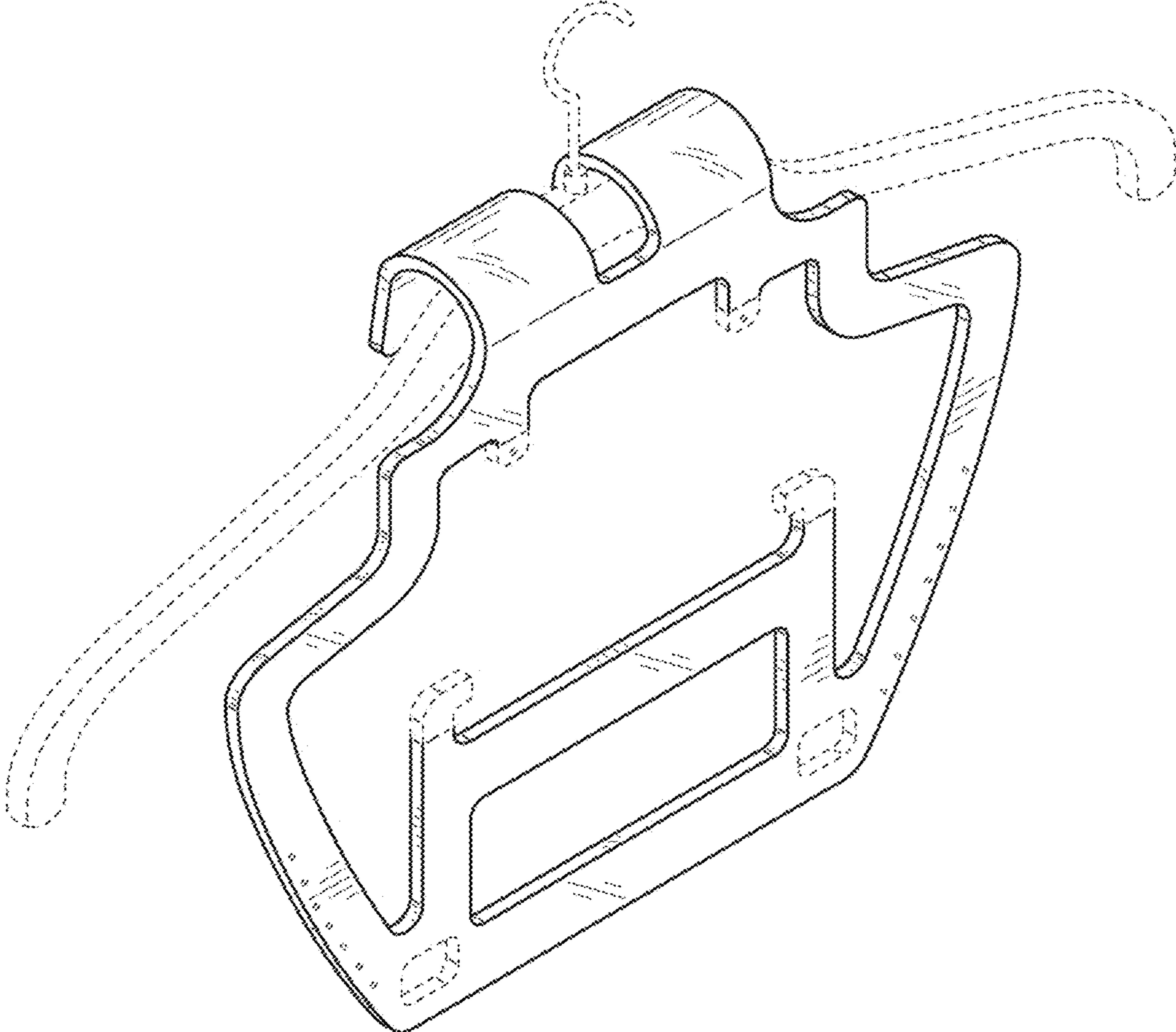


FIG. 16