



US0D1011685S

(12) **United States Design Patent** (10) **Patent No.:** **US D1,011,685 S**
Lee et al. (45) **Date of Patent:** **** Jan. 16, 2024**

(54) **AUTOMATED TELLER MACHINE**

(71) Applicant: **HYOSUNG TNS INC.**, Seoul (KR)

(72) Inventors: **Hee Youn Lee**, Gyeonggi-do (KR); **Jae Min Park**, Gyeonggi-do (KR); **Jae Min Cha**, Gyeonggi-do (KR)

(73) Assignee: **HYOSUNG TNS INC.**, Seoul (KR)

(**) Term: **15 Years**

(21) Appl. No.: **29/767,406**

(22) Filed: **Jan. 22, 2021**

(30) **Foreign Application Priority Data**

Jul. 27, 2020 (KR) 30-2020-0034680

(51) **LOC (14) Cl.** **99-00**

(52) **U.S. Cl.**
USPC **D99/28**

(58) **Field of Classification Search**

USPC D99/28, 34, 35, 36, 43, 99;
D14/300-302, 305, 307, 900-902;
D18/3.1-3.3, 4.1-4.6, 12.1-12.3;
D21/324, 325, 329, 369; 101/66;
109/1 R, 1 V, 2, 23, 24.1, 25, 58, 58.5,
109/66; 446/8-13; 705/16, 17, 18, 42,
705/43, 44, 45; 235/51, 379, 380, 381,
235/382, 382.5, 386; 206/0.8, 0.81,
206/0.815, 0.82, 0.84
CPC .. G06Q 20/10; G06Q 20/108; G06Q 20/1085;
G06Q 20/18; G07D 1/00; G07D 1/02;
G07D 1/04; G07D 1/06; G07D 11/00;
G07D 9/002; G07D 9/04; G07F 19/20;
G07F 19/201; G07F 19/202; G07F
19/203; G07F 19/204; G07F 19/205;
G07F 19/21; G07F 19/00; G07F 7/04;
G07F 5/00; G07F 1/00; E05G 7/001;
E05G 1/006; A63H 3/00; A63H 3/005

See application file for complete search history.

(56) **References Cited**

U.S. PATENT DOCUMENTS

D377,784 S * 2/1997 Wilson D14/371
D378,082 S * 2/1997 Wilson D14/371
D417,440 S * 12/1999 Wilson D14/374
D419,967 S * 2/2000 Louis D14/340
D473,554 S * 4/2003 Landerholm D14/302

(Continued)

OTHER PUBLICATIONS

Automated teller machine realistic vector illustration Self service financial kiosk flat color object Bank terminal with sensor display isolated on white background Interactive electronic equipment, <https://www.crushpixel.com/stock-vector/automated-teller-machine-realistic-vector-2341940.html>, 2023. (Year: 2023).*

(Continued)

Primary Examiner — Elizabeth J Oswecki

(74) *Attorney, Agent, or Firm* — BACON & THOMAS, PLLC

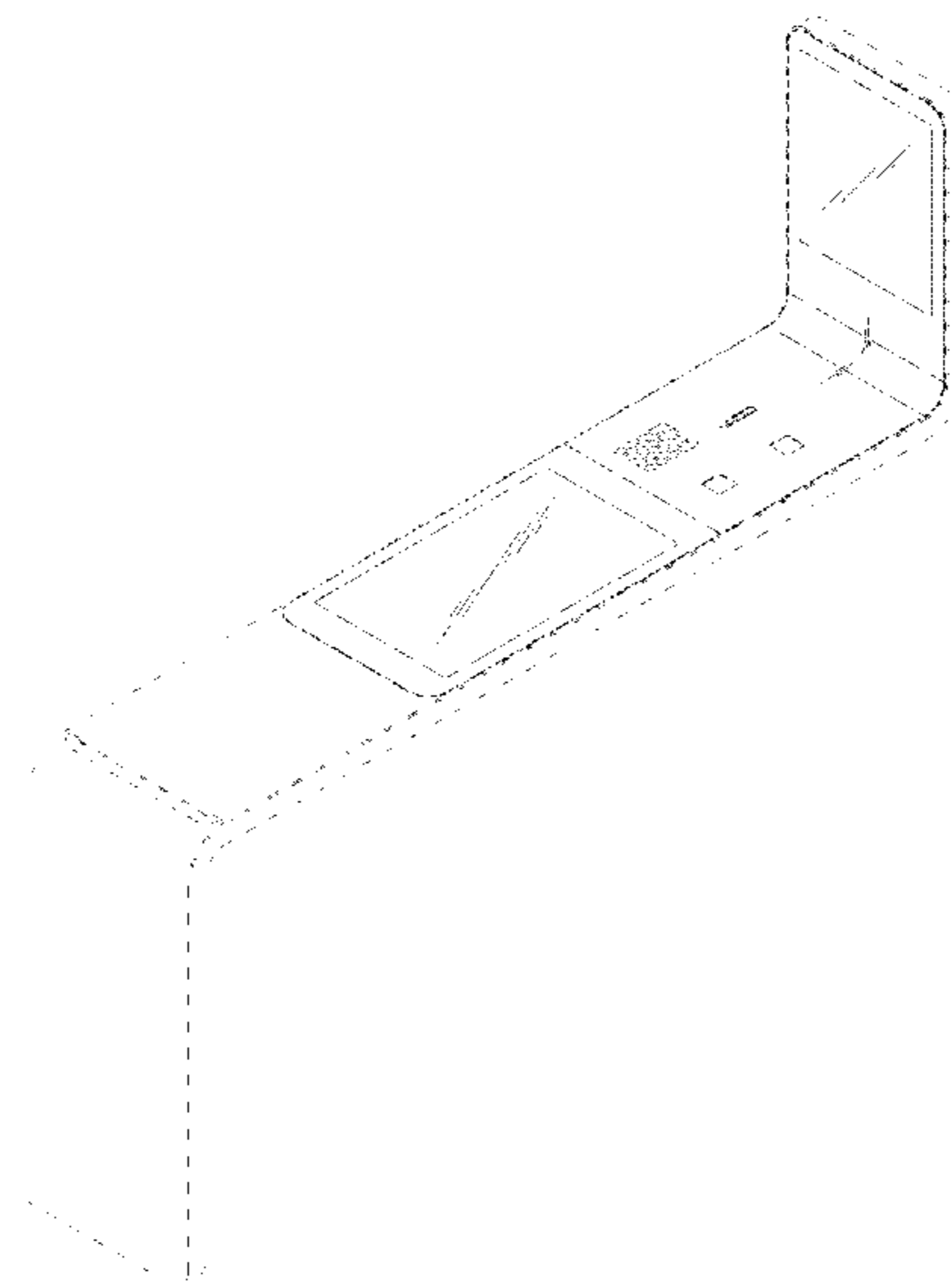
(57) **CLAIM**

The ornamental design for an automated teller machine, as shown and described.

DESCRIPTION

FIG. 1 is a perspective view of an automated teller machine, showing our new design;
FIG. 2 is a front elevation view thereof;
FIG. 3 is a rear elevation view thereof;
FIG. 4 is a left side elevation view thereof;
FIG. 5 is a right side elevation view thereof;
FIG. 6 is a top plan view thereof; and,
FIG. 7 is a bottom plan view thereof.
The broken line showing of an automated teller machine is included for the purpose of illustrating environment only and forms no part of the claimed design.

1 Claim, 7 Drawing Sheets



(56)

References Cited

U.S. PATENT DOCUMENTS

D478,582 S * 8/2003 Becker D14/302
D512,698 S * 12/2005 Augenbraun D14/129
D603,124 S * 10/2009 Lara Bartolome D99/28
D679,885 S * 4/2013 Pollmann D99/28
9,600,026 B2 * 3/2017 Birgeoglu G07G 3/00
D839,529 S * 1/2019 Nelson D99/28
D963,284 S * 9/2022 Lee D99/28

OTHER PUBLICATIONS

Mockup White Metal ATM With Screen, Display, Automated Teller Machine, Payment Terminal, Advertising Stand Isolated On White Background. <https://stock.adobe.com/images/mockup-white-metal-atm-with-screen-display-automated-teller-machine-payment-terminal-advertising>, 2023. (Year: 2023).*

* cited by examiner

Fig 1

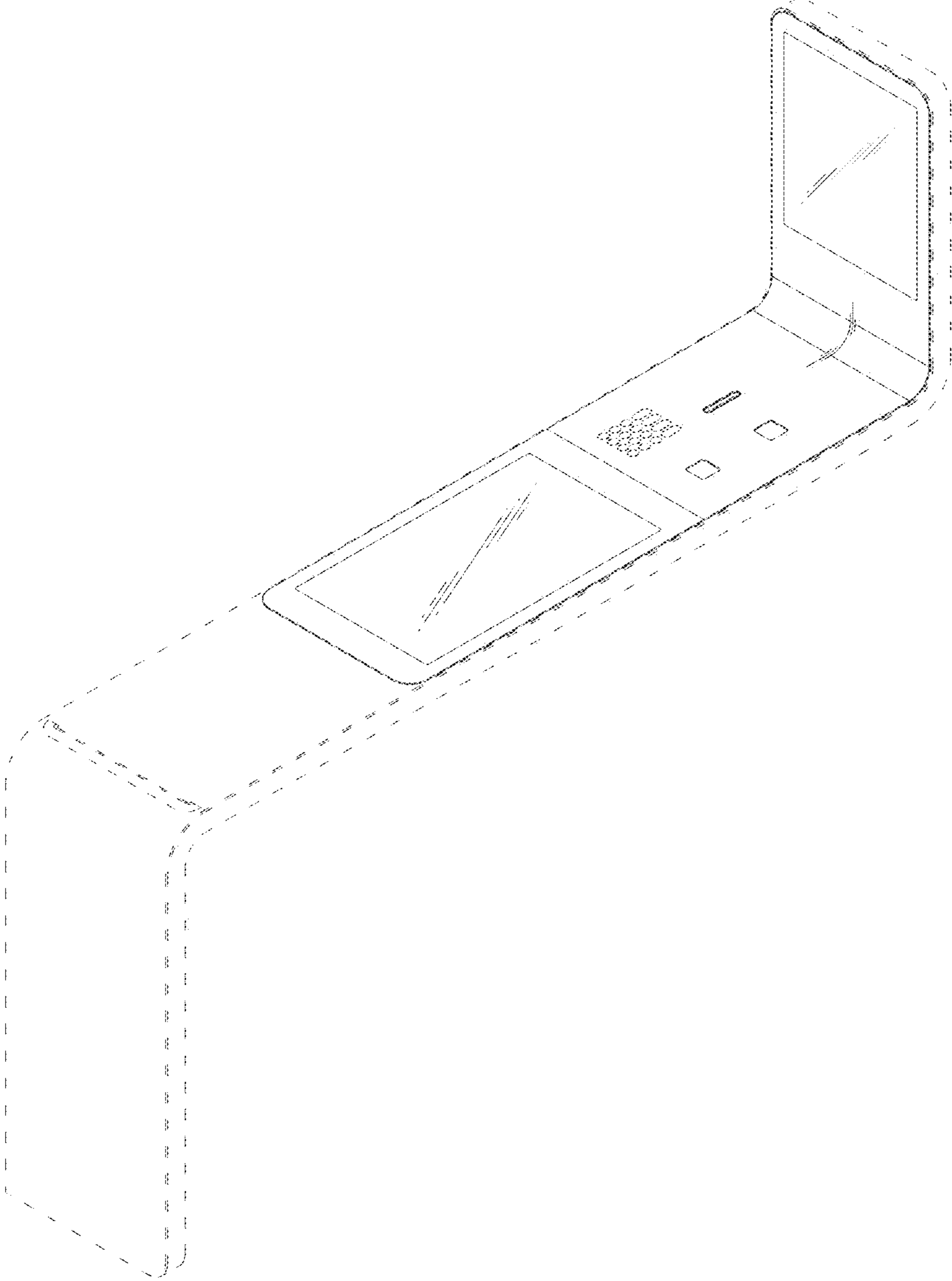


Fig 2



Fig 3



Fig 4

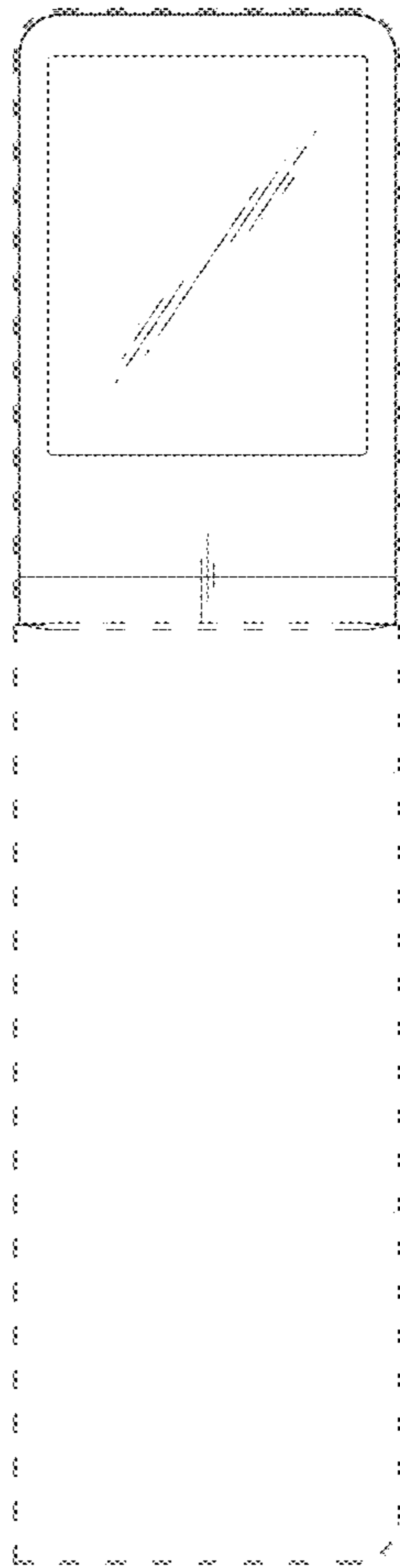


Fig 5

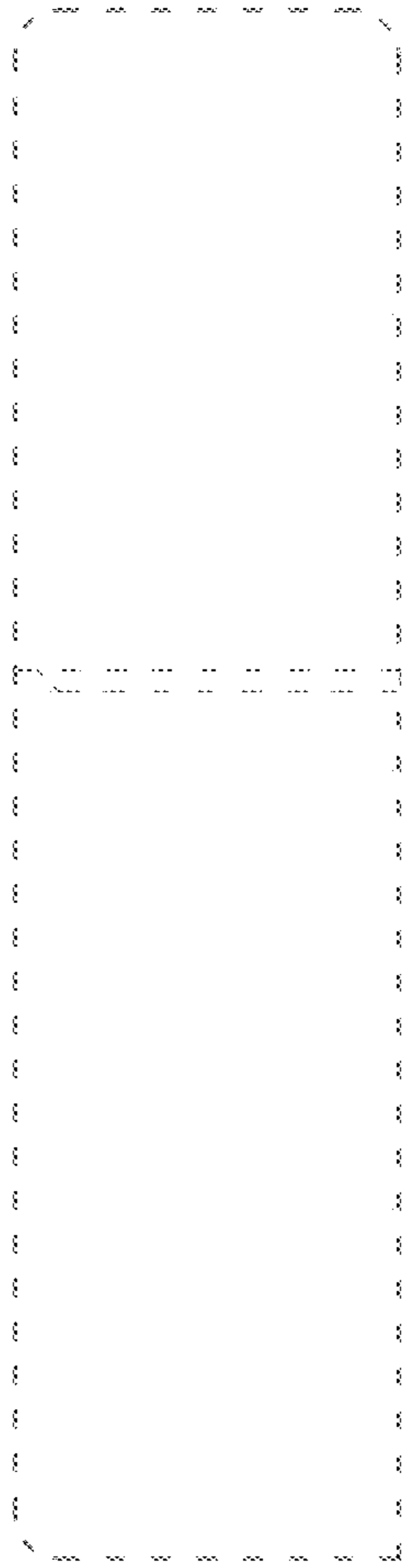


Fig 6

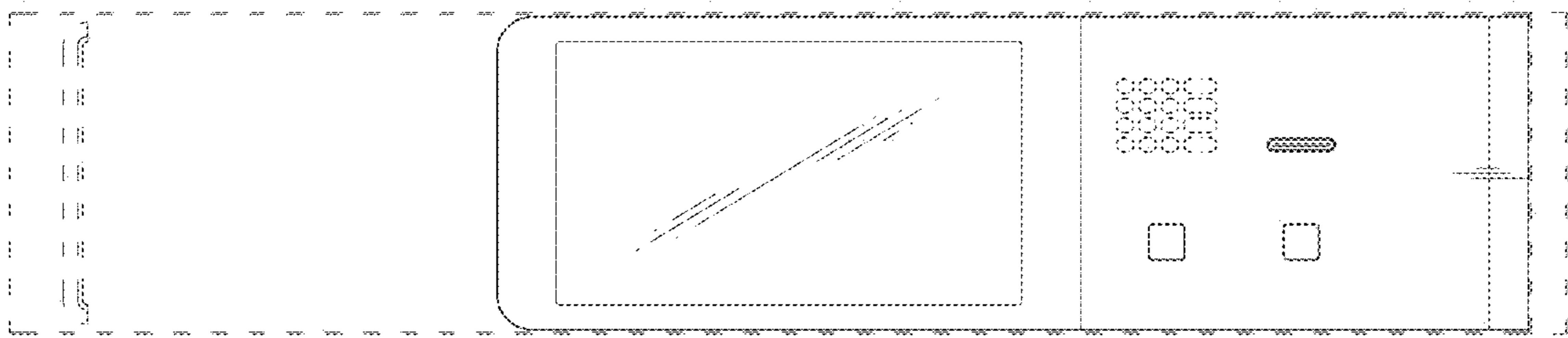


Fig 7

