



US0D1011630S

(12) **United States Design Patent**  
**Barnfield**

(10) **Patent No.:** **US D1,011,630 S**

(45) **Date of Patent:** **\*\* Jan. 16, 2024**

(54) **WIG STAND**

(71) Applicant: **Patience Barnfield**, Brooklyn, NY (US)

(72) Inventor: **Patience Barnfield**, Brooklyn, NY (US)

(\*\*) Term: **15 Years**

(21) Appl. No.: **29/652,691**

(22) Filed: **Oct. 28, 2020**

(51) **LOC (14) Cl.** ..... **28-04**

(52) **U.S. Cl.**  
USPC ..... **D28/93**

(58) **Field of Classification Search**  
USPC ..... D2/89; D6/513, 672, 681; D28/36, 39,  
D28/41, 92, 93, 99; D14/229, 209.1, 224  
CPC . A45D 2/48; A45D 44/00; A41G 5/00; A41G  
5/02; A41G 5/0053; A41G 5/004; A41G  
5/0046; A41G 5/0066; A41G 5/0073;  
A41G 5/0093; A47F 7/065; A47F 7/06  
See application file for complete search history.

(56) **References Cited**

U.S. PATENT DOCUMENTS

986,412 A *	3/1911	Steick	.....	A47F 7/06
				211/33
D324,584 S *	3/1992	Beavers	.....	D26/140
5,509,629 A *	4/1996	Sassmannshausen	.....	F16M 11/10
				248/528
D381,114 S *	7/1997	Xu	.....	D26/140
D649,714 S *	11/2011	Key	.....	D28/93
D719,769 S *	12/2014	Daniels	.....	D6/682.1
D745,737 S *	12/2015	Stuckey	.....	D26/138
10,149,529 B1 *	12/2018	Turner	.....	A45D 44/02
D911,620 S *	2/2021	Riddick	.....	D28/93
D912,905 S *	3/2021	Nnakwe	.....	D28/93
D931,542 S *	9/2021	Williams	.....	D28/93
D990,207 S *	6/2023	Zhao	.....	D28/93

2002/0126492 A1 *	9/2002	Ching	.....	F16M 11/28
				362/419
2018/0266666 A1 *	9/2018	Liao	.....	F21L 14/04
2019/0053609 A1 *	2/2019	Turner	.....	F16M 11/16

FOREIGN PATENT DOCUMENTS

CN 308046173 \* 5/2023

OTHER PUBLICATIONS

The wig stashh, announced May 1, 2021 [online], retrieved Aug. 9, 2023, retrieved from internet, <https://www.instagram.com/p/COWKE6zHF1C/?hl=en> (Year: 2021).\*

(Continued)

*Primary Examiner* — Messina L Smith

(74) *Attorney, Agent, or Firm* — Lerner David LLP

(57) **CLAIM**

The ornamental design for a wig stand, as shown and described.

**DESCRIPTION**

FIG. 1 is a perspective view of a wig stand showing my new design.

FIG. 2 is an alternate perspective view of the wig stand shown in FIG. 1.

FIG. 3 is a front view of the wig stand shown in FIG. 1.

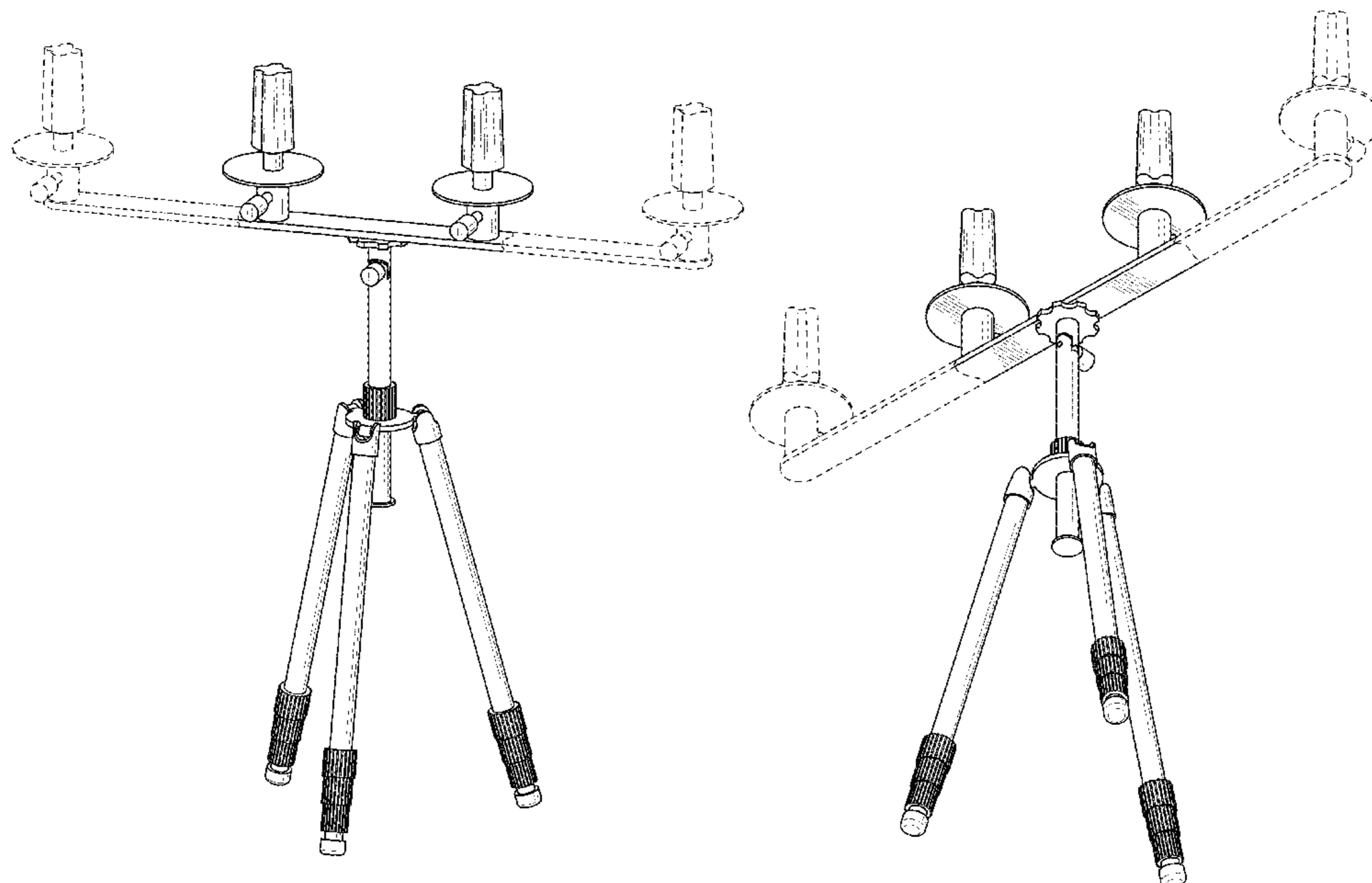
FIG. 4 is a rear view of the wig stand shown in FIG. 1.

FIG. 5 is a right side view of the wig stand shown in FIG. 1.

FIG. 6 is a top view of the wig stand shown in FIG. 1; and, FIG. 7 is a bottom view of the wig stand shown in FIG. 1.

The broken lines show portions of the wig stand that form no part of the claimed design.

**1 Claim, 6 Drawing Sheets**



(56)

**References Cited**

OTHER PUBLICATIONS

Wig Shelf, announced Dec. 4, 2021 [online], retrieved Aug. 9, 2023, retrieved from internet, <https://www.etsy.com/listing/1072991954> (Year: 2021).\*

Lhysn Wig Stands, announced Feb. 11, 2023 [online], retrieved Aug. 9, 2023, retrieved from internet, <https://www.amazon.com/Lhysn-Multiple-Display-Styling-Organizer/dp/B0BN2VJ43M> (Year: 2023).\*

\* cited by examiner

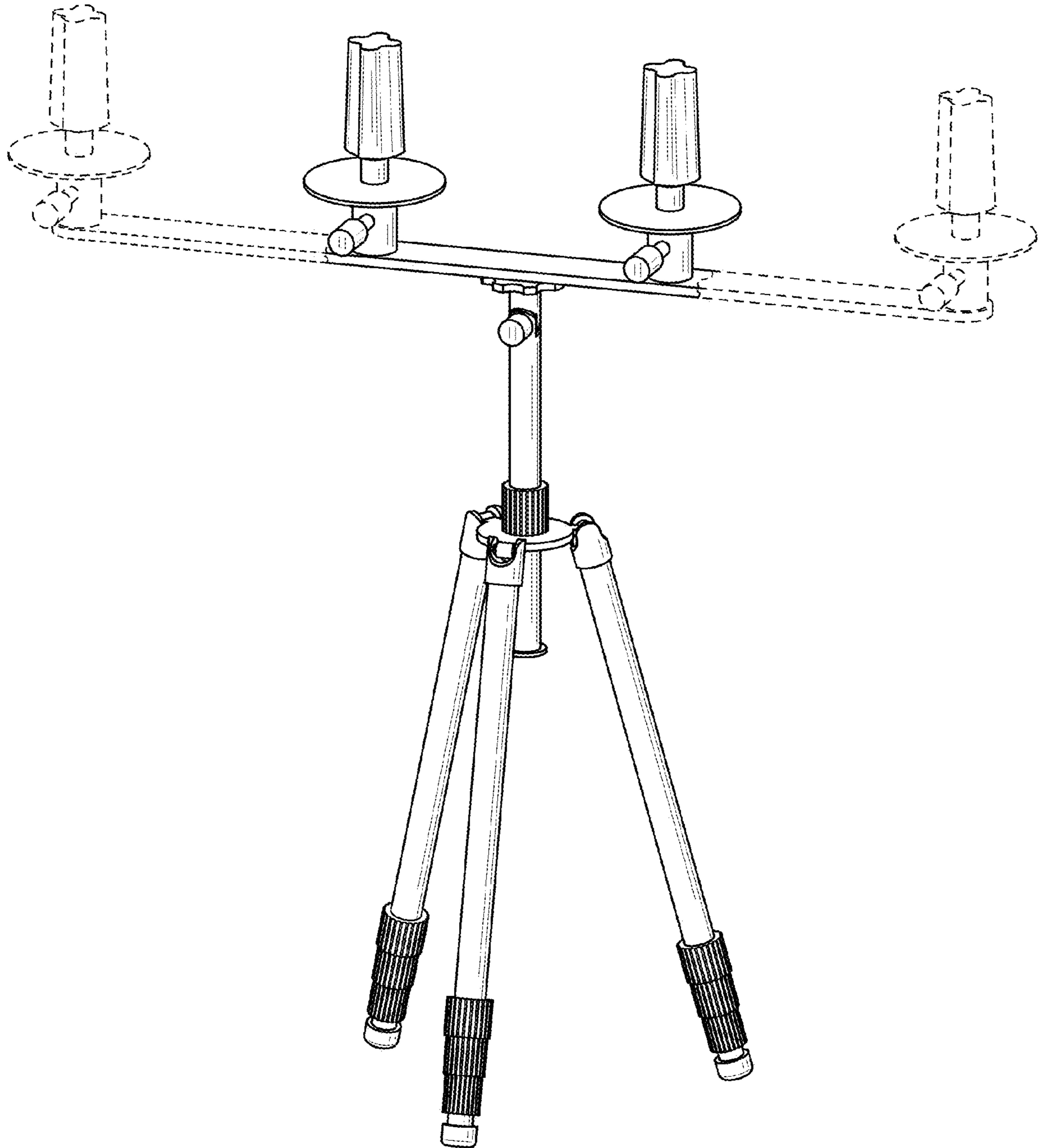


FIG. 1

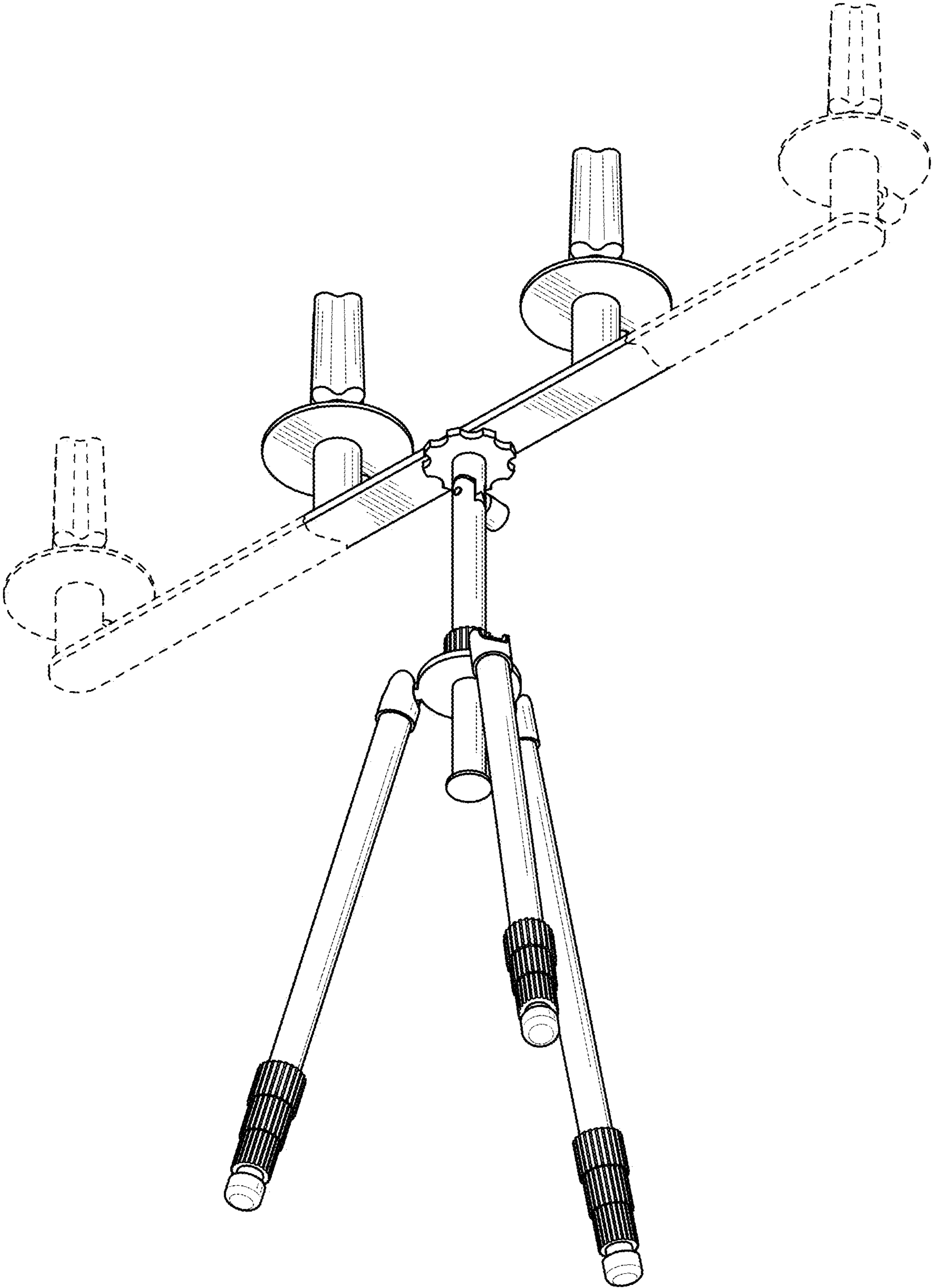


FIG. 2

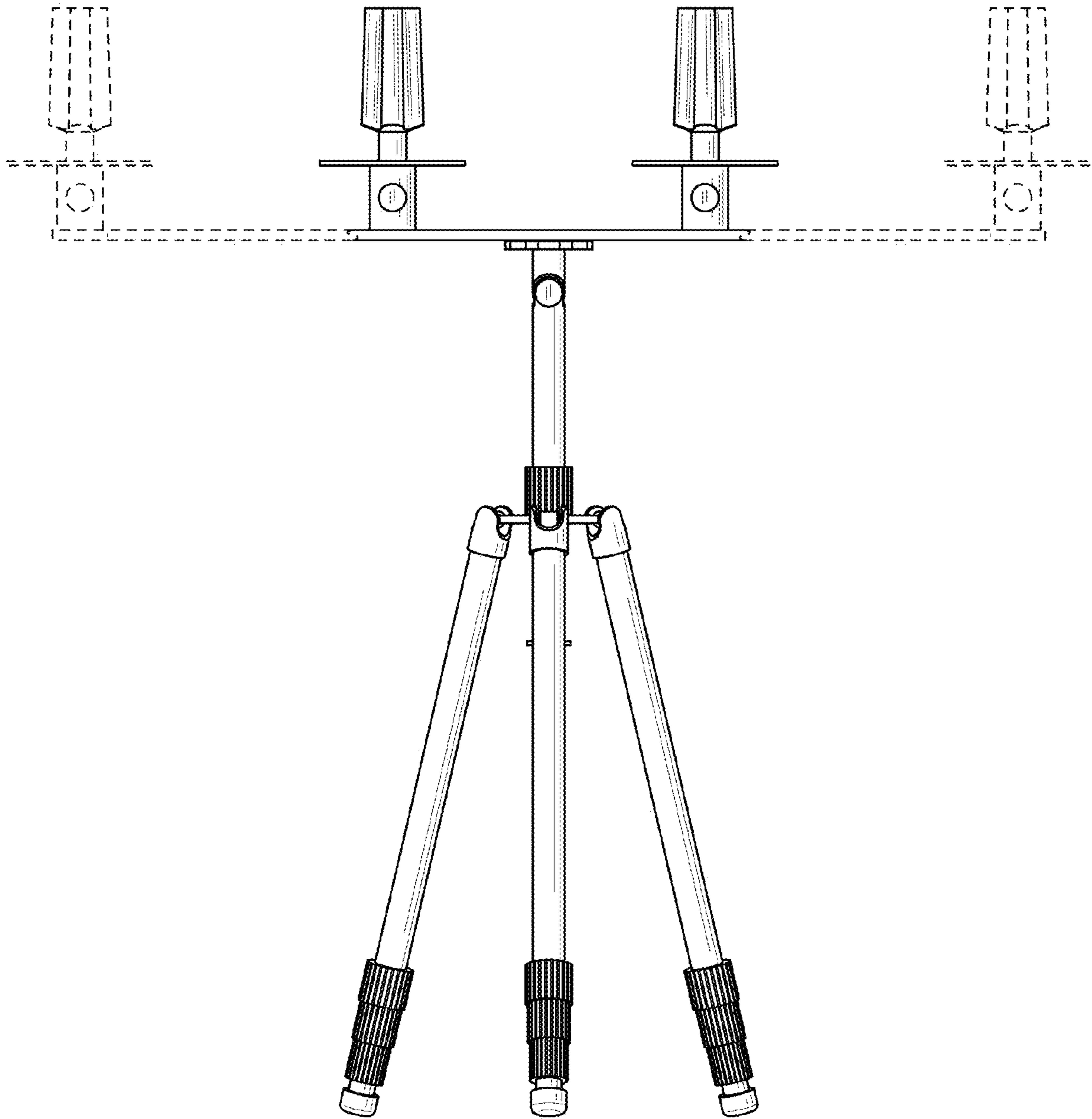


FIG. 3



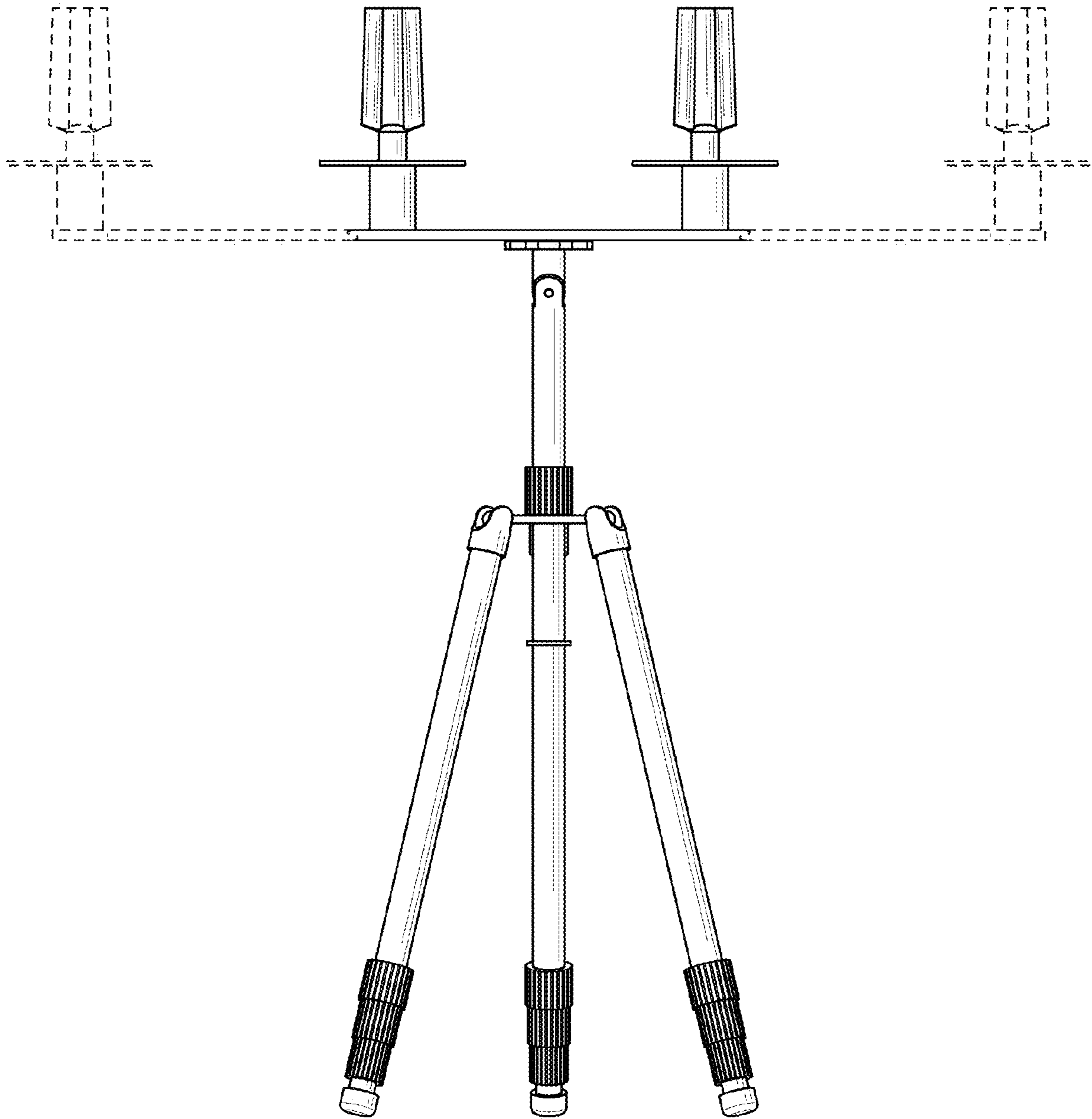


FIG. 4

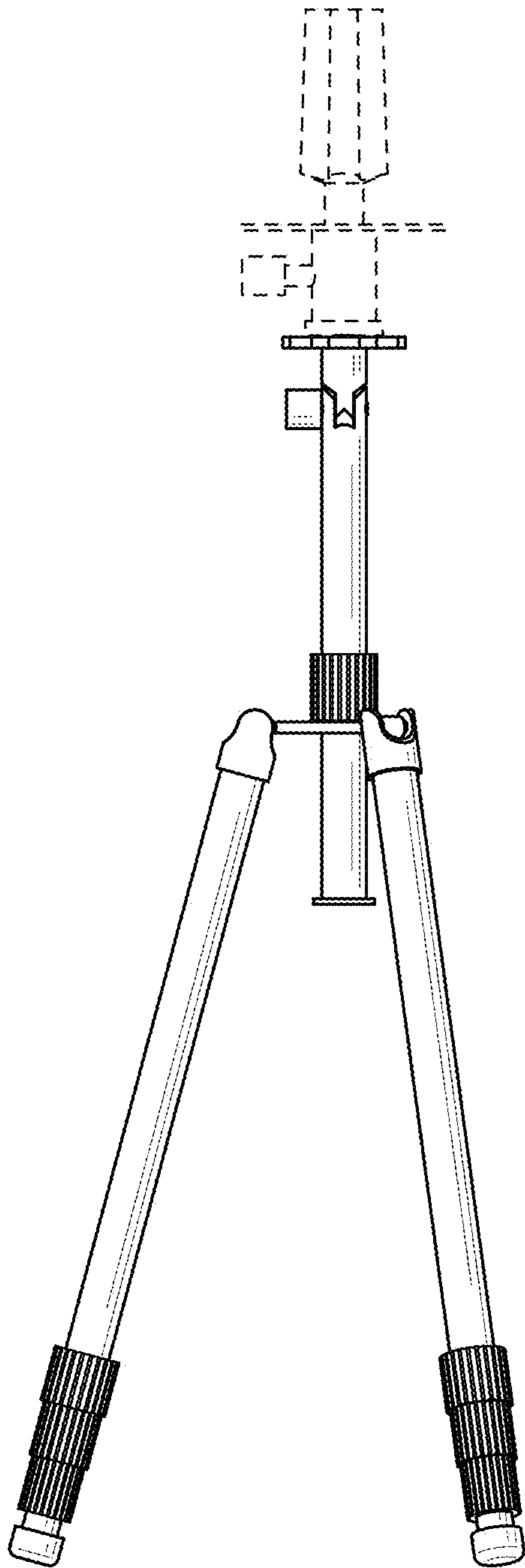


FIG. 5

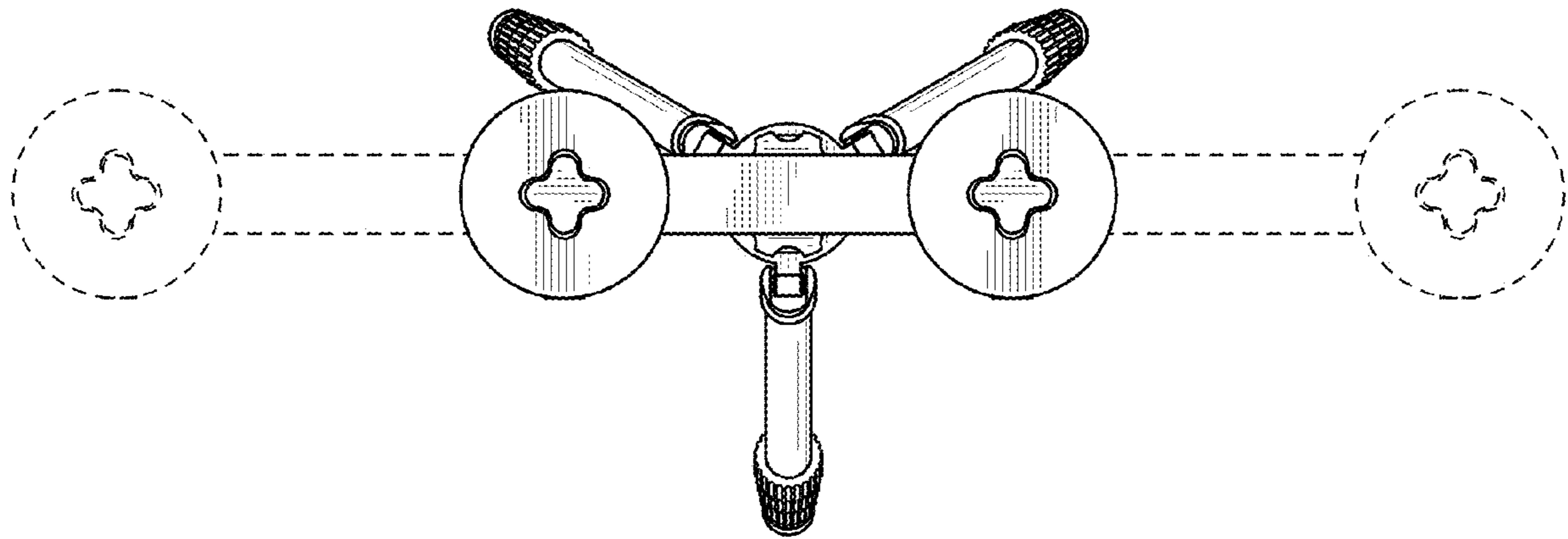


FIG. 6

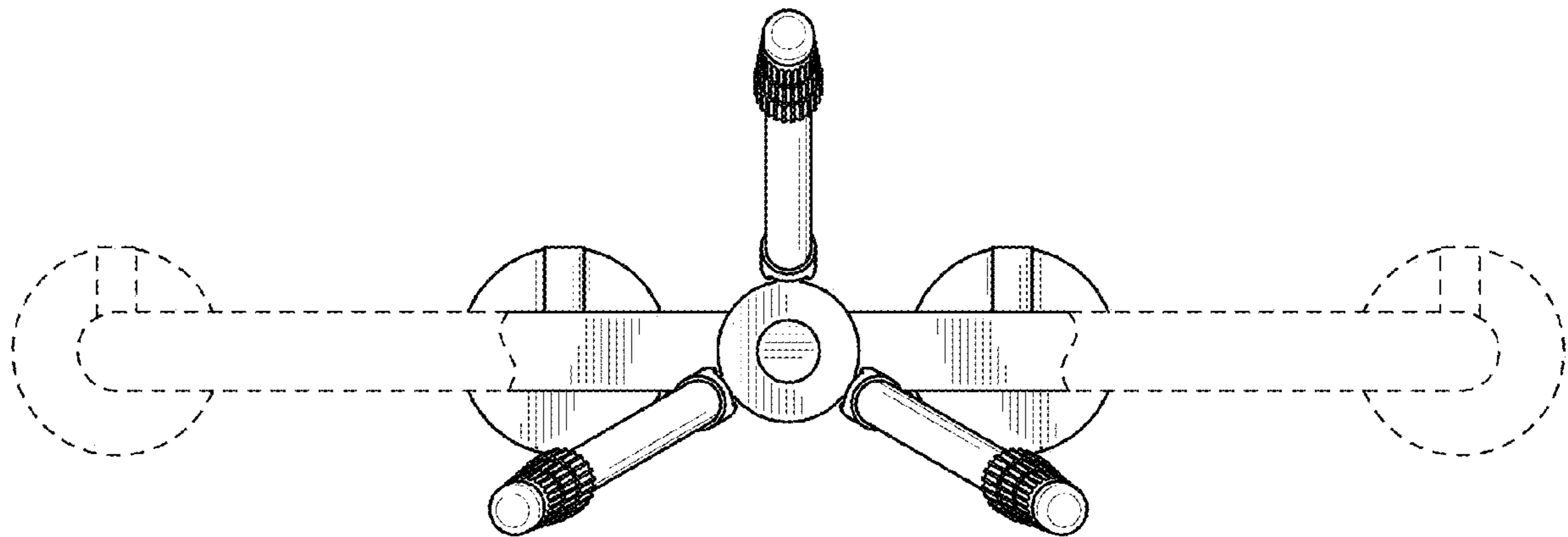


FIG. 7