



US0D1011546S

(12) **United States Design Patent** (10) **Patent No.:** **US D1,011,546 S**  
**Qiao** (45) **Date of Patent:** **\*\* Jan. 16, 2024**

(54) **EYE MASSAGER**

*Primary Examiner* — Michael A Maharajh

(71) Applicant: **Xi Lu Qiao**, Guangzhou Guangdong (CN)

(72) Inventor: **Xi Lu Qiao**, Guangzhou Guangdong (CN)

(73) Assignee: **REESTAR INTERNATIONAL LIMITED**, Kowloon (HK)

(\*\*) Term: **15 Years**

(21) Appl. No.: **29/898,045**

(22) Filed: **Jul. 21, 2023**

(51) **LOC (14) Cl.** ..... **24-01**

(52) **U.S. Cl.**  
USPC ..... **D24/215**

(58) **Field of Classification Search**  
USPC ..... D24/188, 189, 190, 200, 211, 212, 213, D24/214, 215; D29/105, 106, 108, 110; D16/310, 312, 320, 324  
CPC ..... A61H 2205/024; A61H 2201/165; A61H 2201/1607; A61H 2201/0207; A61H 9/0078; A61H 11/00  
See application file for complete search history.

(56) **References Cited**

**U.S. PATENT DOCUMENTS**

D337,826 S *	7/1993	Iverson	.....	D24/206
D739,543 S	9/2015	Ma		
D757,287 S *	5/2016	Chen	.....	D24/215
D757,288 S *	5/2016	Chen	.....	D24/215
D757,289 S *	5/2016	Chen	.....	D24/215
D757,290 S *	5/2016	Chen	.....	D24/215

(Continued)

**OTHER PUBLICATIONS**

Amazon, "Sleep Headphones Sleep Mask", Date First Available: Apr. 9, 2023. [https://www.amazon.com/RENPHO-EyeSnooze-Sleep-Mask-Headphones/dp/B0BV2SJH2N/ref=cm\\_cr\\_ar\\_p\\_d\\_product\\_top?ie=UTF8](https://www.amazon.com/RENPHO-EyeSnooze-Sleep-Mask-Headphones/dp/B0BV2SJH2N/ref=cm_cr_ar_p_d_product_top?ie=UTF8) (Year: 2023).\*

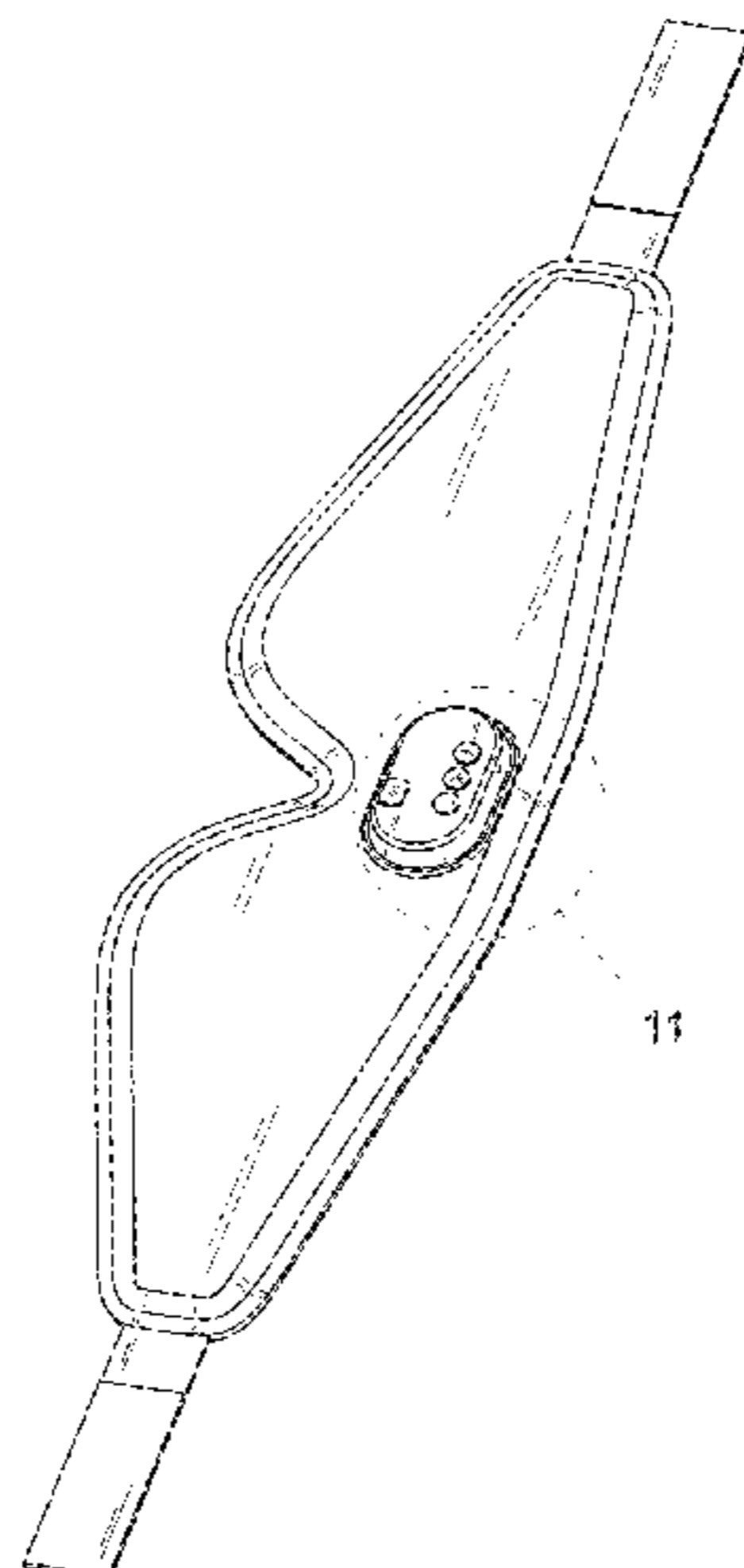
(57) **CLAIM**

The ornamental design for an eye massager, as shown and described.

**DESCRIPTION**

FIG. 1 is a front perspective view of an eye massager according to the present invention; FIG. 2 is a rear perspective view thereof; FIG. 3 is a front elevation view thereof; FIG. 4 is a rear elevation view thereof; FIG. 5 is a left side view thereof; FIG. 6 is a right side view thereof; FIG. 7 is an enlarged top plan view thereof; FIG. 8 is an enlarged bottom plan view thereof; FIG. 9 is a fragmentary cross-sectional view taken in the direction of 9-9 in FIG. 4; FIG. 10 is an enlarged fragmentary cross-sectional view taken in the direction of 10-10 in FIG. 4; FIG. 11 is an enlarged view of an area circumscribed in FIG. 1; FIG. 12 is an enlarged view of an area circumscribed in FIG. 3; FIG. 13 is an enlarged view of an area circumscribed in FIG. 9; FIG. 14 is an enlarged view of an area circumscribed in FIG. 10; and, FIG. 15 is an enlarged view of an area circumscribed in FIG. 10. The broken lines in FIGS. 1, 3, 11 and 12 are for the purpose of illustrating the environmental structures that form no part of the claimed design. The broken lines in FIGS. 1, 3 and 9-15 depict boundaries of enlargements of an eye massager that form no part of the claimed design. The dot-dash-dot broken lines in FIG. 4 depict the cross-sectional cut lines that form no part of the claimed design.

**1 Claim, 15 Drawing Sheets**



(56)

**References Cited**

U.S. PATENT DOCUMENTS

D765,870	S	9/2016	Sedic	
D799,711	S	10/2017	Sedic	
D806,258	S	12/2017	Sedic	
D884,913	S	5/2020	Peng	
D887,019	S *	6/2020	Wang	..... D24/215
D905,259	S	12/2020	Wang	
D910,869	S	2/2021	Xiong	
D921,912	S *	6/2021	Grbic	..... D24/211
D932,647	S *	10/2021	Zhang	..... D24/215
D980,181	S *	3/2023	Li	..... D2/866
D991,469	S *	7/2023	Qiao	..... D24/200
D994,135	S *	8/2023	Yu	..... D24/215

\* cited by examiner

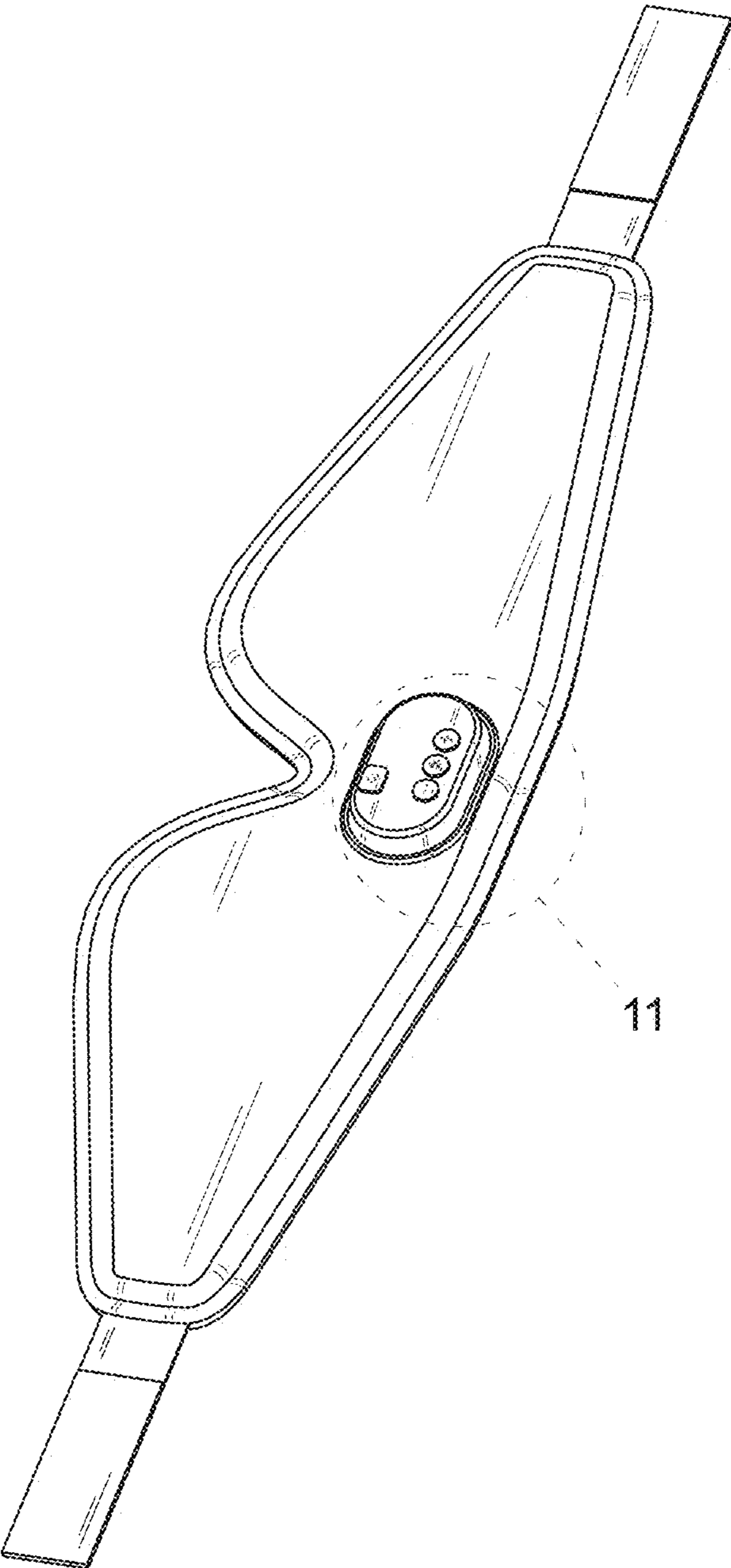


FIG. 1

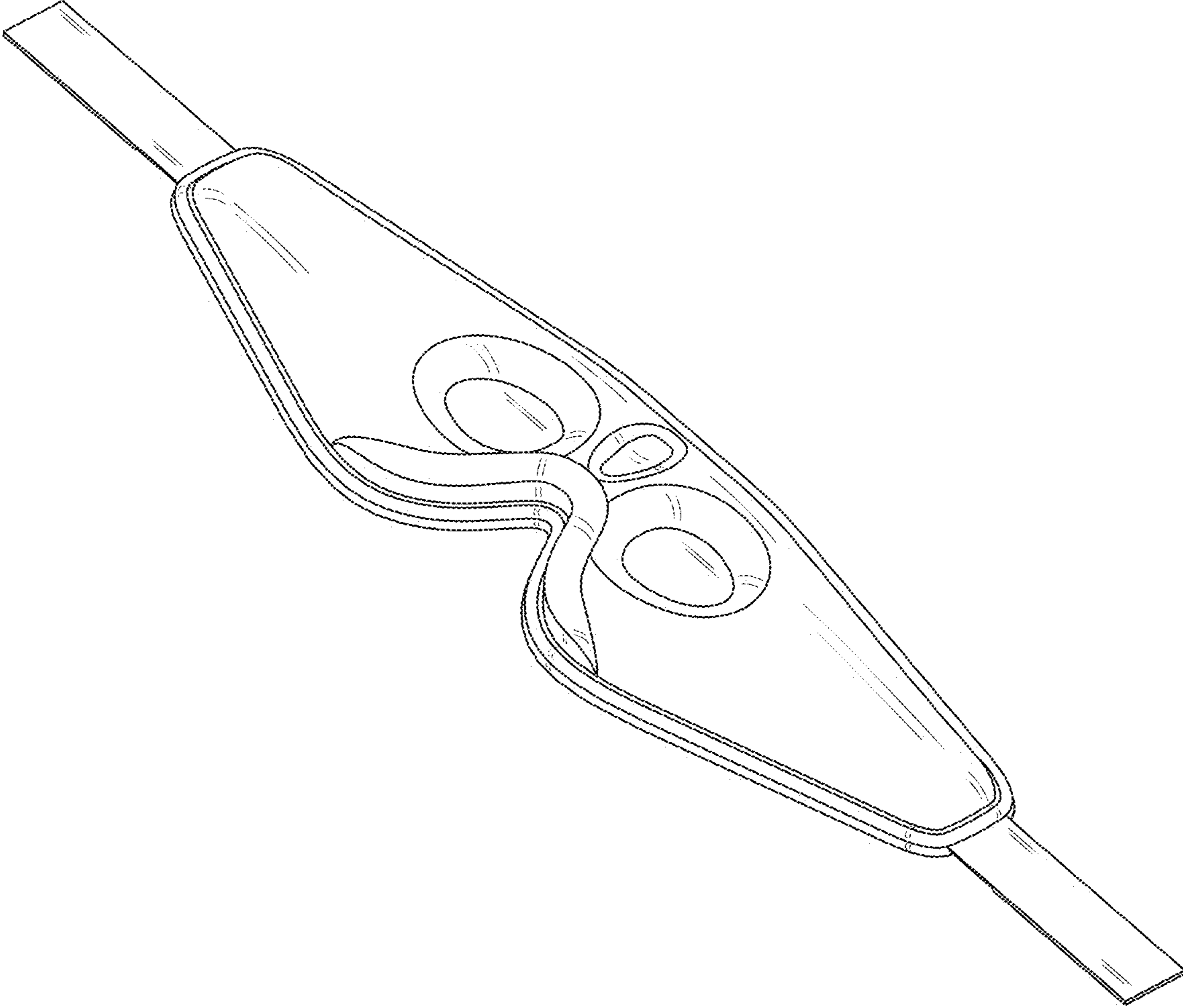


FIG. 2

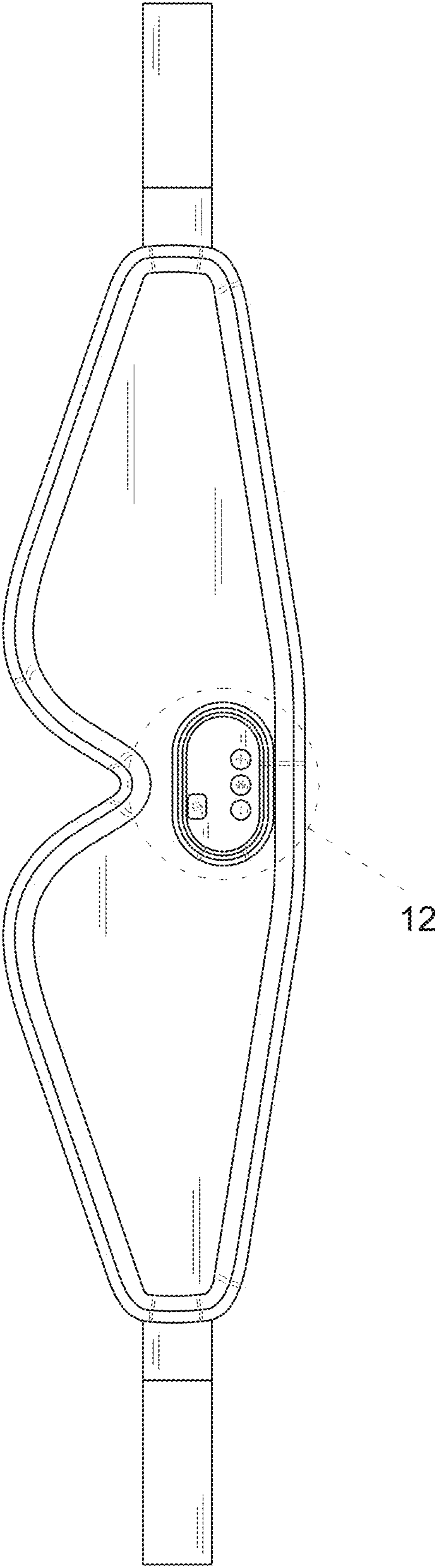


FIG. 3

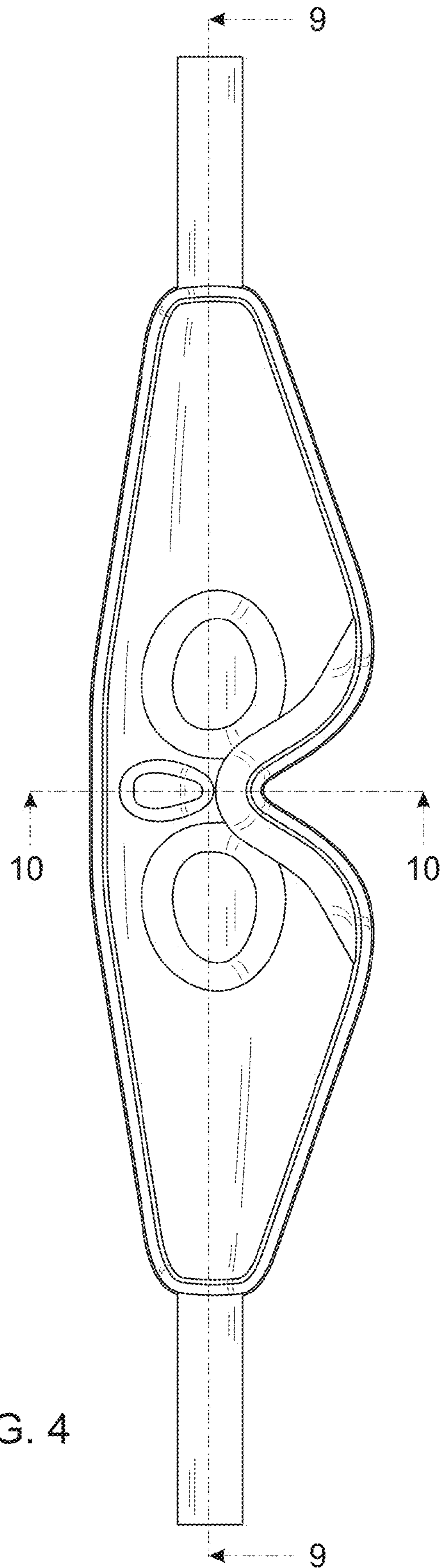


FIG. 4

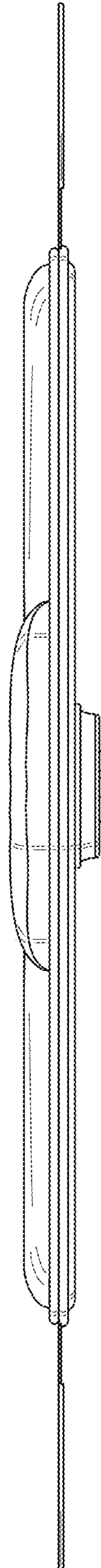


FIG. 5

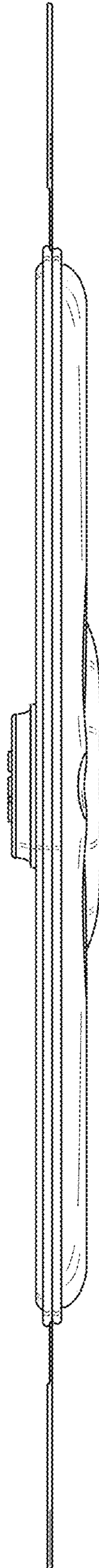


FIG. 6



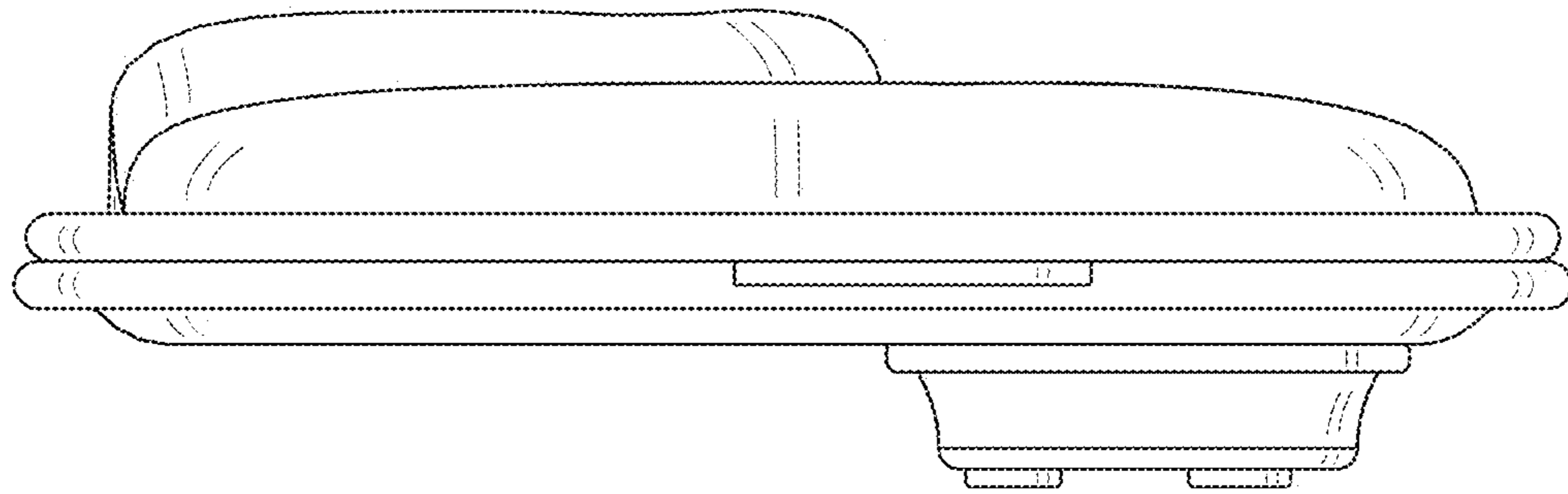


FIG. 7

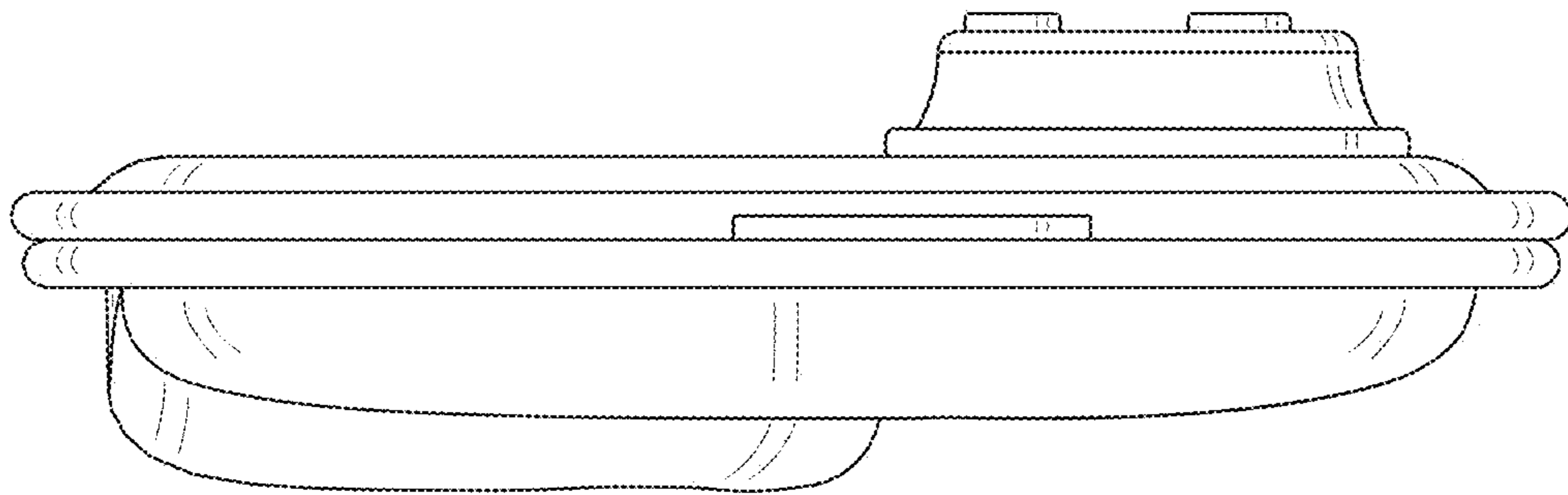


FIG. 8

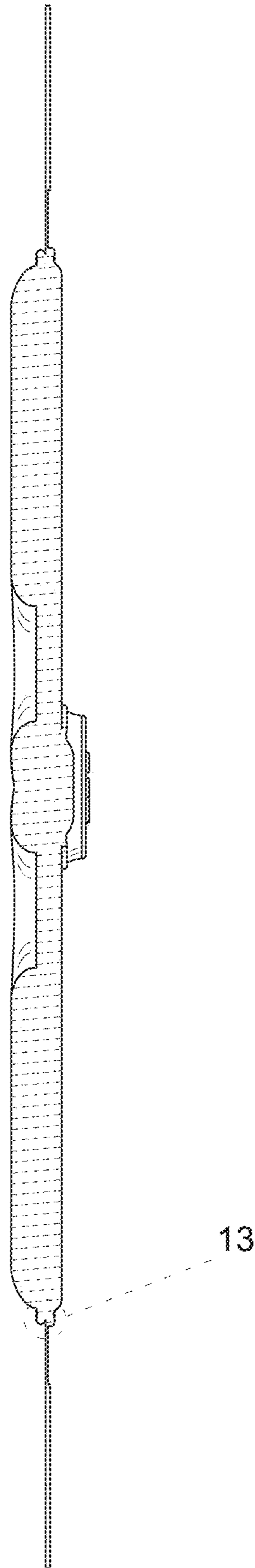


FIG. 9

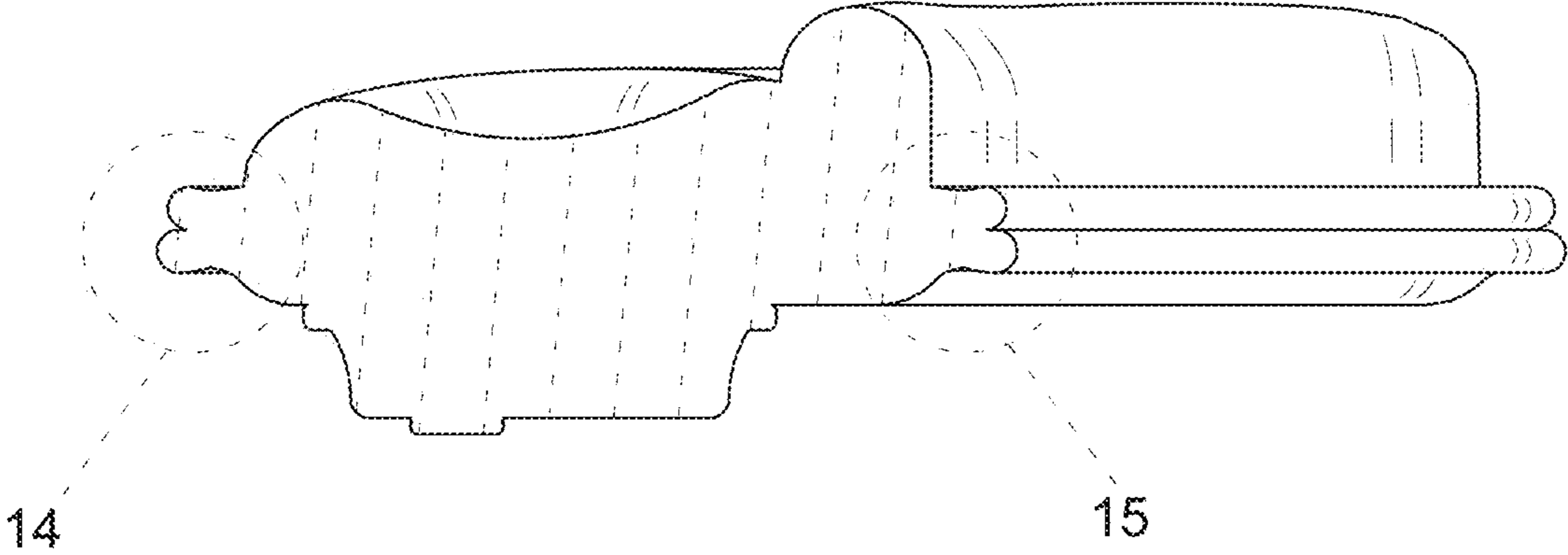


FIG. 10

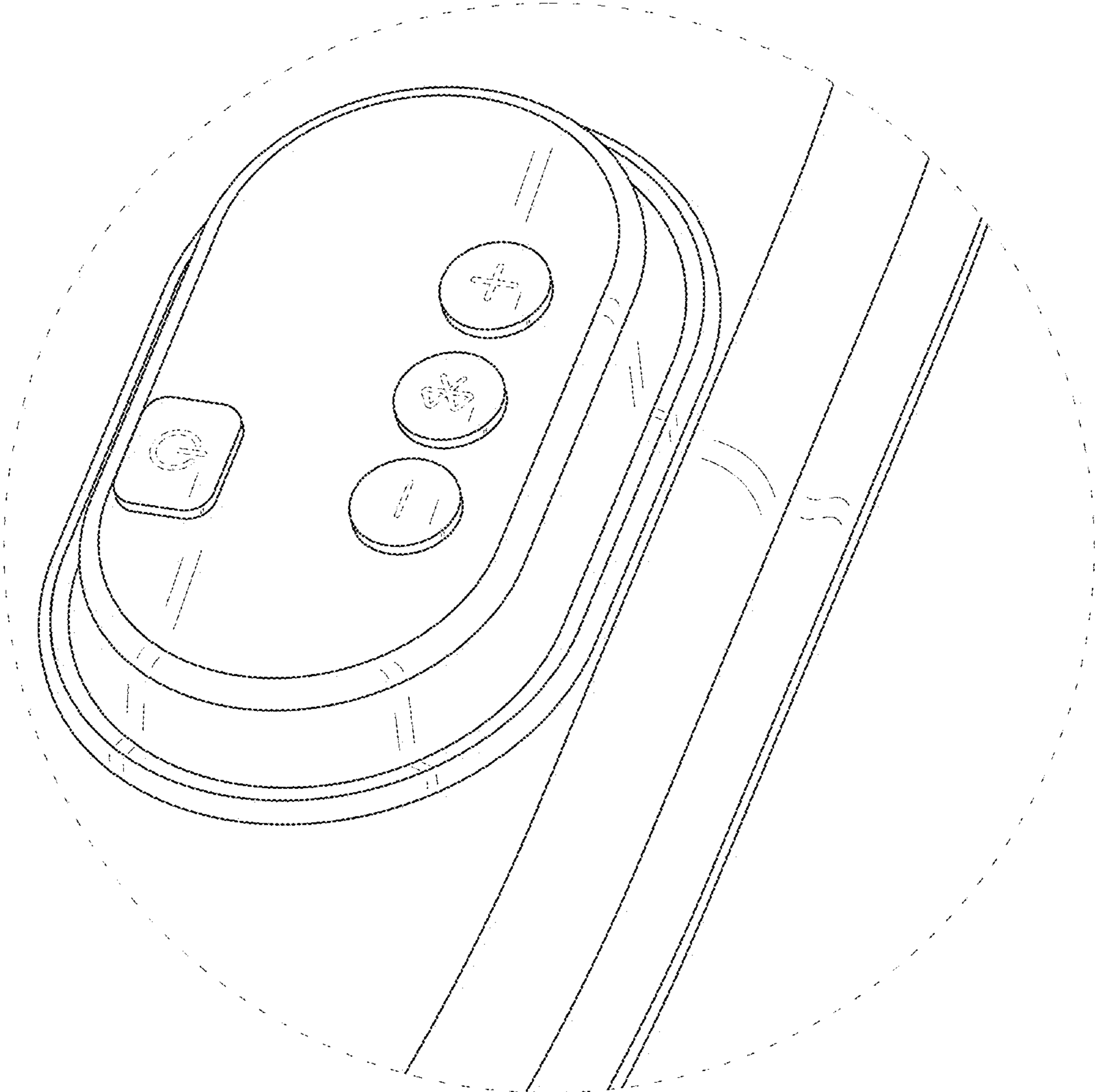


FIG. 11

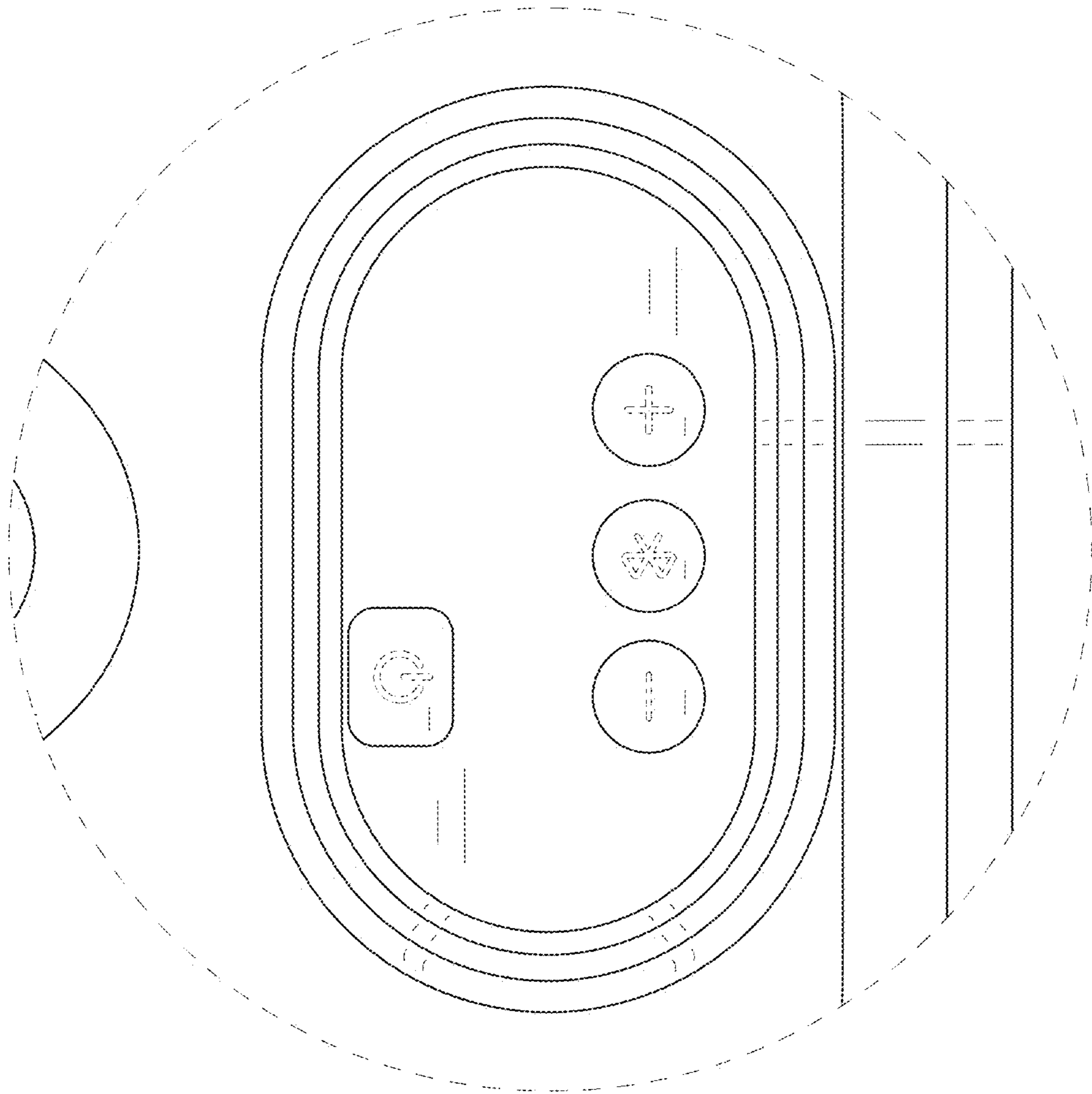


FIG. 12

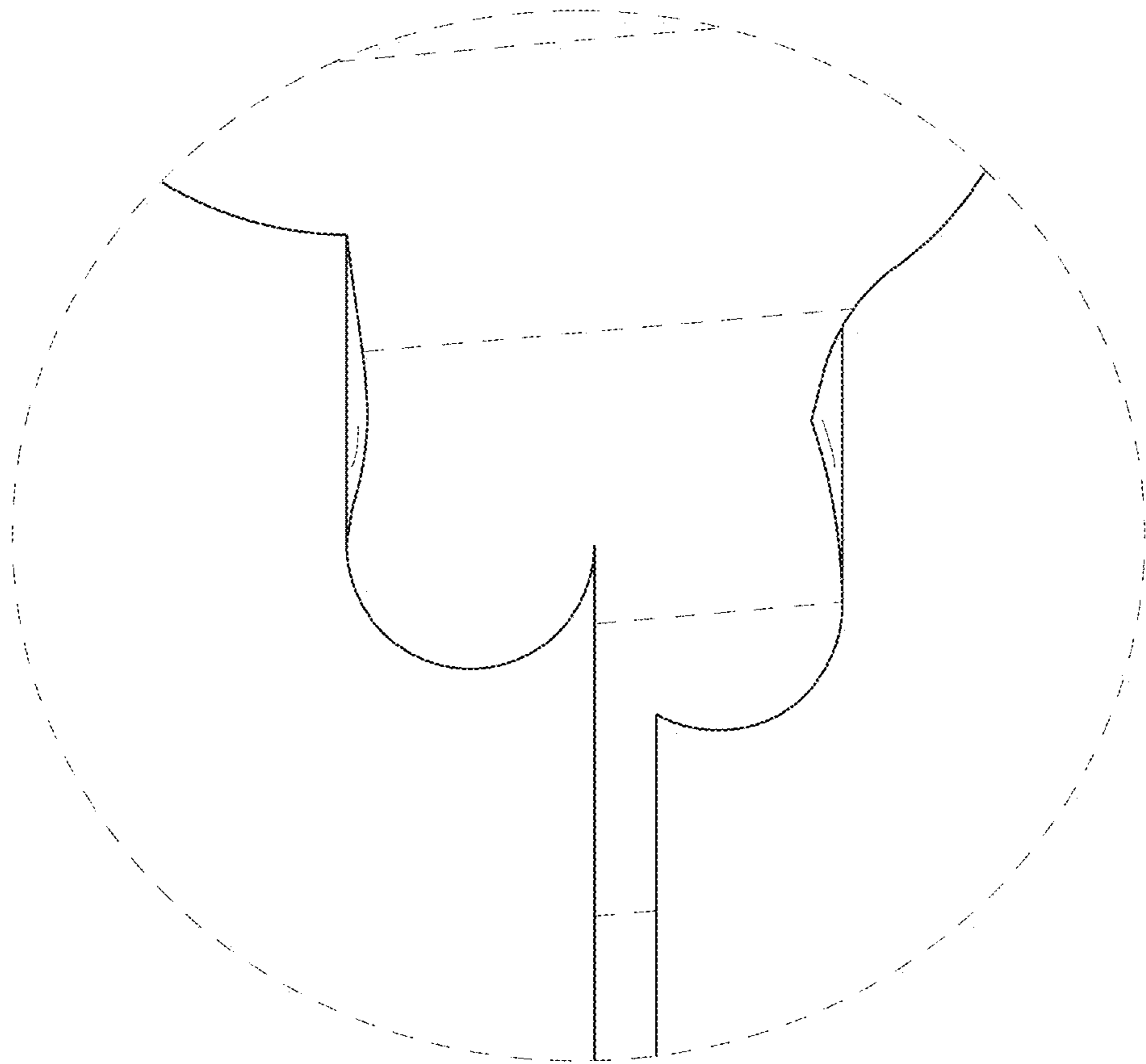


FIG. 13

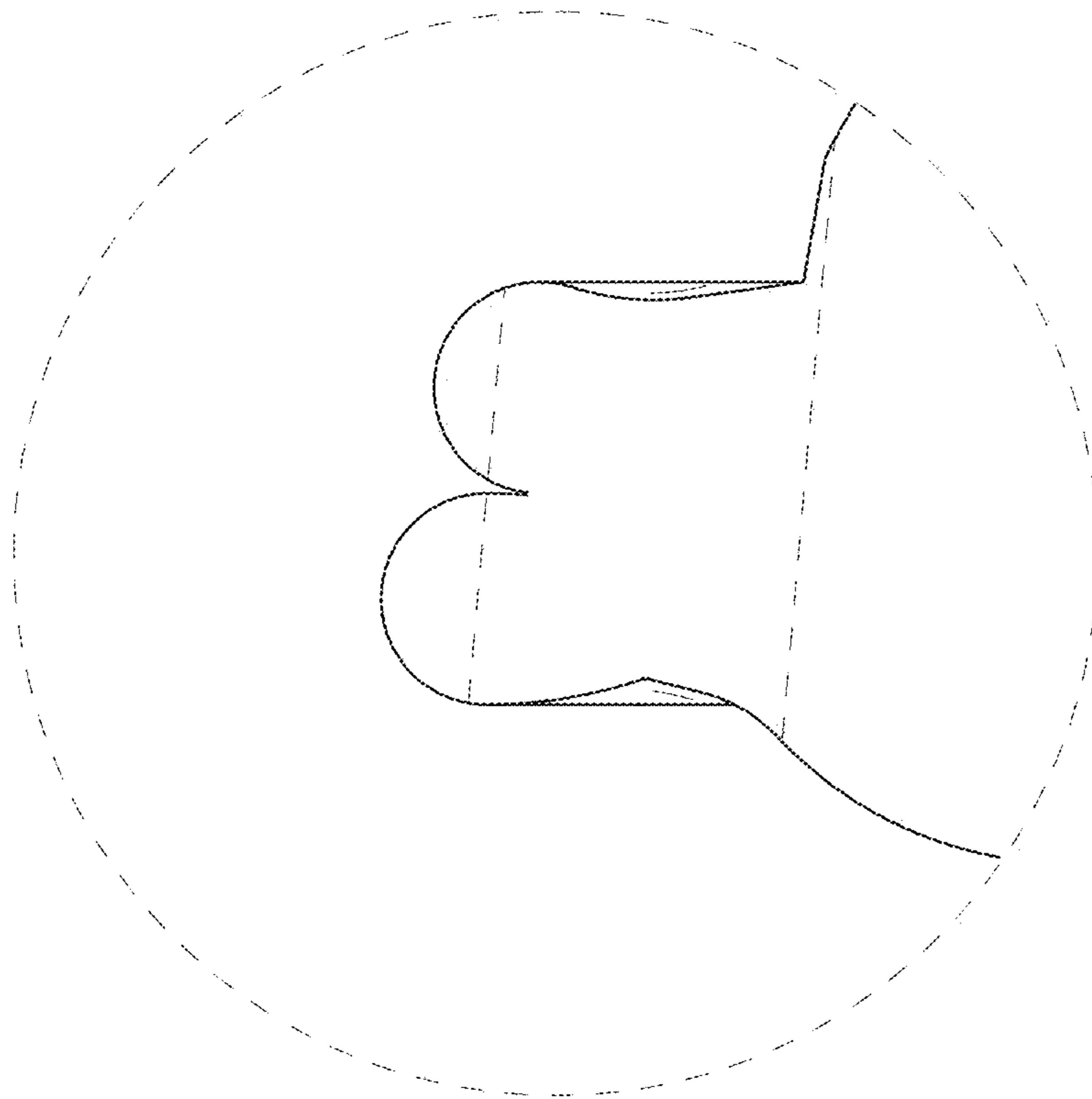


FIG. 14



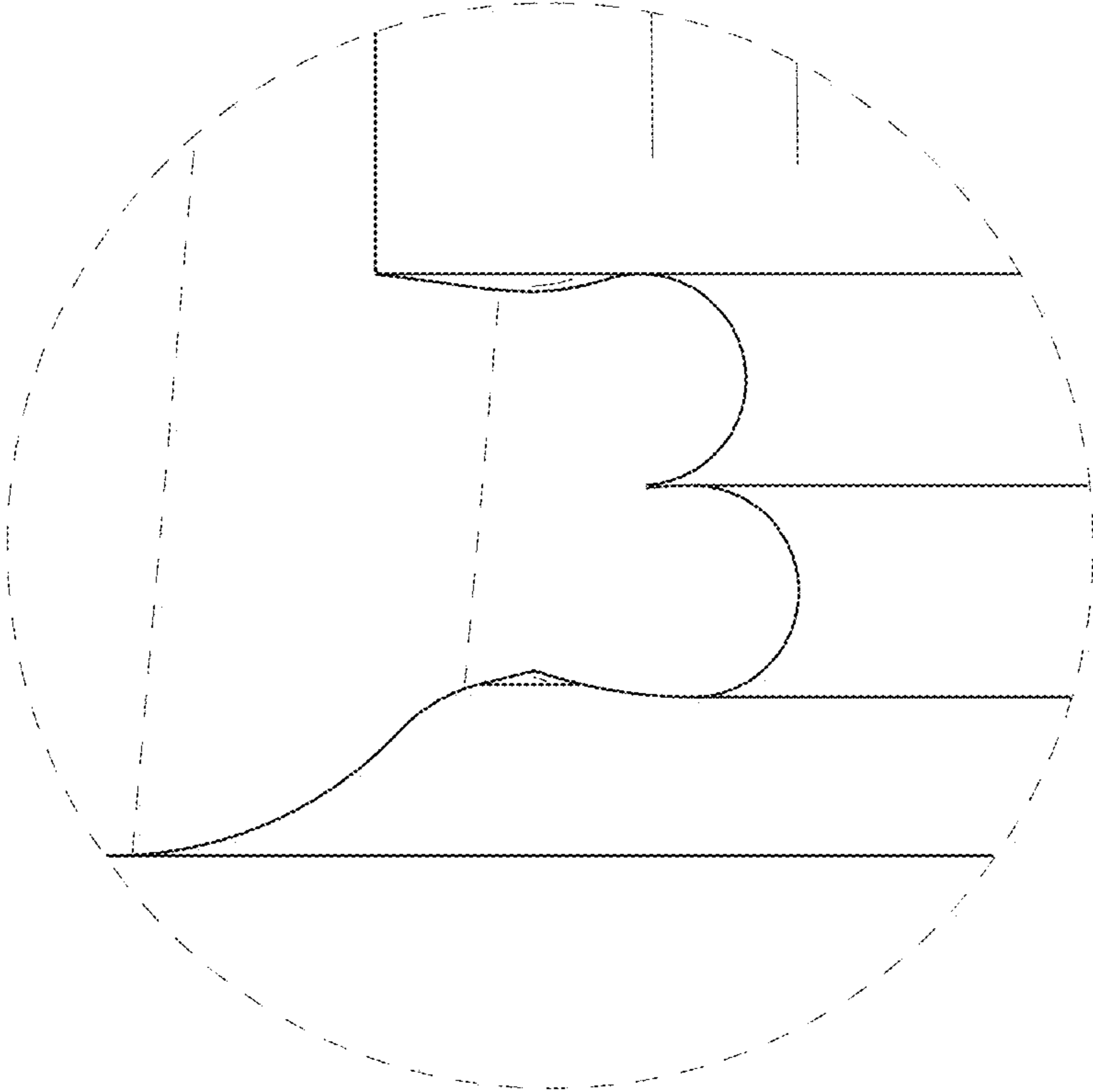


FIG. 15