



US0D1011516S

(12) **United States Design Patent** (10) **Patent No.:** **US D1,011,516 S**  
**Bacinska et al.** (45) **Date of Patent:** **\*\* Jan. 16, 2024**

(54) **FACE MASK**

FOREIGN PATENT DOCUMENTS

(71) Applicant: **Honeywell International Inc.**,  
Charlotte, NC (US)

CN 306472035 \* 4/2021  
CN 307613016 \* 10/2022

(72) Inventors: **Jana Bacinska**, Brno (CZ); **Daniel Yee**,  
Santa Margarita, CA (US); **Mark**  
**Peurifoy**, Phoenix, AZ (US); **Marie K.**  
**Hammer**, Smithfield, RI (US); **Sayanti**  
**Basu**, Fort Mill, SC (US); **José Antonio**  
**Fosado Rodríguez**, Santa Bárbara  
(MX); **Alex Rochat**, Ames, IA (US)

OTHER PUBLICATIONS

“Gill: Eco-Friendly Reusable Half Mask Respirator.” Found online  
at Amazon.com. Aug. 11, 2022. Reference dated Oct. 28, 2020.  
Retrieved from <https://www.amazon.com/Eco-Friendly-Reusable-Respirator-Adjustable-Disposable/dp/B08BHSDMF9?th=1>.\*

(Continued)

(73) Assignee: **HONEYWELL INTERNATIONAL**  
**INC.**, Charlotte, NC (US)

*Primary Examiner* — Leanne Was-Englehart  
*Assistant Examiner* — Elizabeth S Struble

(\*\*) Term: **15 Years**

(74) *Attorney, Agent, or Firm* — ALSTON & BIRD LLP

(21) Appl. No.: **29/776,723**

(57) **CLAIM**

We claim the ornamental design for a face mask, as shown  
and described.

(22) Filed: **Mar. 31, 2021**

(51) **LOC (14) Cl.** ..... **29-02**

(52) **U.S. Cl.**  
USPC ..... **D24/110.1**

**DESCRIPTION**

(58) **Field of Classification Search**  
USPC ..... D24/110.1, 110.2, 110.3, 110.4, 110.5,  
D24/110.6, 127, 128, 164; D29/108, 110,  
D29/111, 129; D2/865, 866, 867, 874,  
D2/878, 881, 891  
CPC ..... A62B 7/10; A62B 18/00; A62B 23/02;  
A41D 13/11; A41D 13/1107; A41D  
13/113; A41D 31/14; A41D 2600/10;  
A61M 16/06; A42B 3/20; A42V 1/046  
See application file for complete search history.

FIG. 1 is a front, right perspective view of a face mask  
showing the new design in a condition of use shown worn  
by a model;  
FIG. 2 is a rear, left perspective view thereof in a condition  
of use shown worn by a model;  
FIG. 3 is a front elevation view of the face mask;  
FIG. 4 is a rear elevation view thereof;  
FIG. 5 is a left side elevation view thereof;  
FIG. 6 is a right side elevation view thereof;  
FIG. 7 is a top plan view thereof; and,  
FIG. 8 is a bottom plan view thereof.  
In the drawings, the equal-length broken lines showing a  
mask and straps depict portions of the face mask that form  
no part of the claimed design. The equal-length broken lines  
in FIGS. 1 and 2 showing a human head depict environ-  
mental structure that forms no part of the claimed design. All  
broken lines form no part of the claimed design.

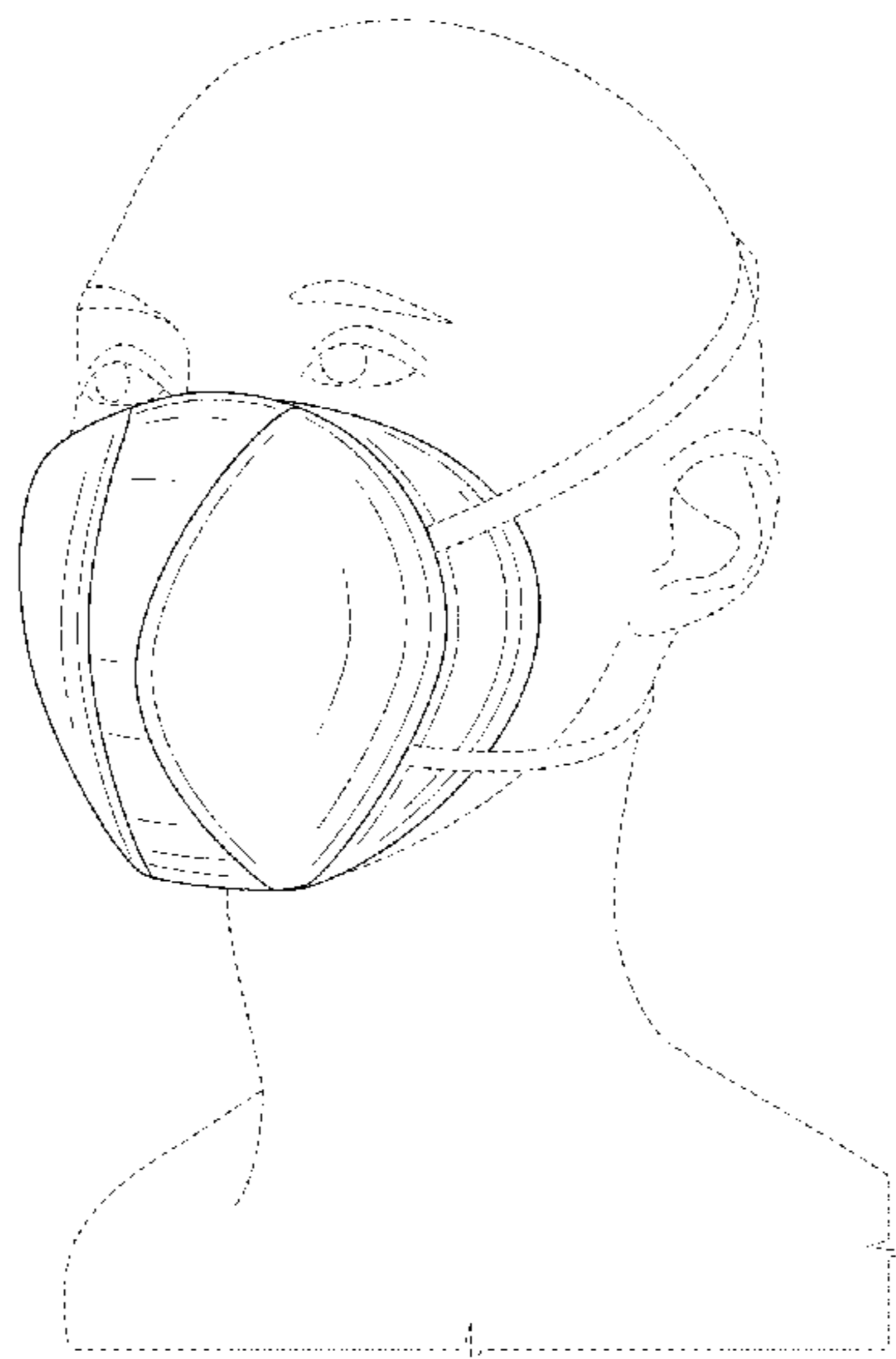
(56) **References Cited**

U.S. PATENT DOCUMENTS

2,578,007 A \* 12/1951 Hill ..... A41D 13/11  
55/DIG. 35  
D273,145 S \* 3/1984 Ponsi ..... D24/110.1

(Continued)

**1 Claim, 8 Drawing Sheets**



(56)

References Cited

U.S. PATENT DOCUMENTS

4,827,924 A \* 5/1989 Japuntich ..... A41D 13/1138  
128/206.16  
6,055,982 A 5/2000 Brunson et al.  
D567,937 S \* 4/2008 Gerson ..... D24/110.1  
D773,121 S \* 11/2016 Yuan ..... D29/108  
D777,988 S \* 1/2017 Miros ..... D29/108  
D844,253 S \* 3/2019 Cho ..... D29/108  
D868,960 S \* 12/2019 Tu ..... D24/110.1  
2007/0215160 A1 \* 9/2007 Viljanen ..... A41D 13/11  
128/205.27  
2015/0173436 A1 6/2015 Tsuei  
2015/0314148 A1 \* 11/2015 Waterford ..... A62B 23/025  
128/863  
2016/0317848 A1 \* 11/2016 Zilberstein ..... A62B 18/025  
2017/0252590 A1 \* 9/2017 Angadjivand ..... A62B 23/025  
2019/0090558 A1 \* 3/2019 Xu ..... A41D 13/1176  
2020/0289777 A1 9/2020 Bearne et al.

OTHER PUBLICATIONS

“Parcil: AG-100 Half Face Respirator Mask.” Found online at Amazon.com Aug. 11, 2022. Reference dated Dec. 29, 2020. Retrieved from <https://www.amazon.com/AG-100-Half-Face-Respirator-Woodworking/dp/B08RLW2NGZ>.  
“Tesoro Moda: Reusable Respirator Mask.” Found online at Amazon.com. Jan. 9, 2023. Reference dated Nov. 10, 2020. Retrieved from <https://www.amazon.com/dp/B08GZRFXP9/>.

“Trend: Stealth Air Stealth Reusable Respirator Half Mask.” Found online at Amazon.com Jan. 9, 2023. Reference dated May 22, 2018. Retrieved from <https://www.amazon.com/Trend-STEALTH-ML-Medium-Large/dp/B077TX6TRX/>.  
“Biomaster Antimicrobial Face Mask Straps.” Zest Promotional, Jul. 20, 2020, [www.zestpromotional.com/product/lifestyle/health-personal-care/face-masks/biomaster-antimicrobial-face-mask-straps](http://www.zestpromotional.com/product/lifestyle/health-personal-care/face-masks/biomaster-antimicrobial-face-mask-straps).  
Dsptch. “Face Covering—Black.” Dsptch, [www.dsptch.com/products/face-covering-black](http://www.dsptch.com/products/face-covering-black). Accessed Jun. 14, 2021.  
Ford, Megan. “Nurses to Access Clear Face Masks to Improve Communication.” Nursing Times, Sep. 15, 2020, [www.nursingtimes.net/news/coronavirus/nurses-to-access-clear-face-masks-to-improve-communication-09-09-2020](http://www.nursingtimes.net/news/coronavirus/nurses-to-access-clear-face-masks-to-improve-communication-09-09-2020).  
Tara Slevin Group. “Face Mask Antimicrobial Strap.” Feb. 26, 2021, [www.taraslevingroup.ie/product/face-mask-antimicrobial-strap](http://www.taraslevingroup.ie/product/face-mask-antimicrobial-strap).  
Wxyz Web Team. “Ford Designs Clear Mask with Plans to Meet N95 Standards to Help Hearing Impaired.” WXYZ Detroit, Feb. 4, 2021, [www.wxyz.com/news/ford-designs-clear-mask-with-plans-to-meet-n95-standards-to-help-hearing-impaired](http://www.wxyz.com/news/ford-designs-clear-mask-with-plans-to-meet-n95-standards-to-help-hearing-impaired).  
CN Office Action dated Jul. 5, 2023 for CN Application No. 202130657697, 1 page(s).  
English Translation of CN Office Action dated Jul. 5, 2023 for CN Application No. 202130657697, 1 page(s).

\* cited by examiner

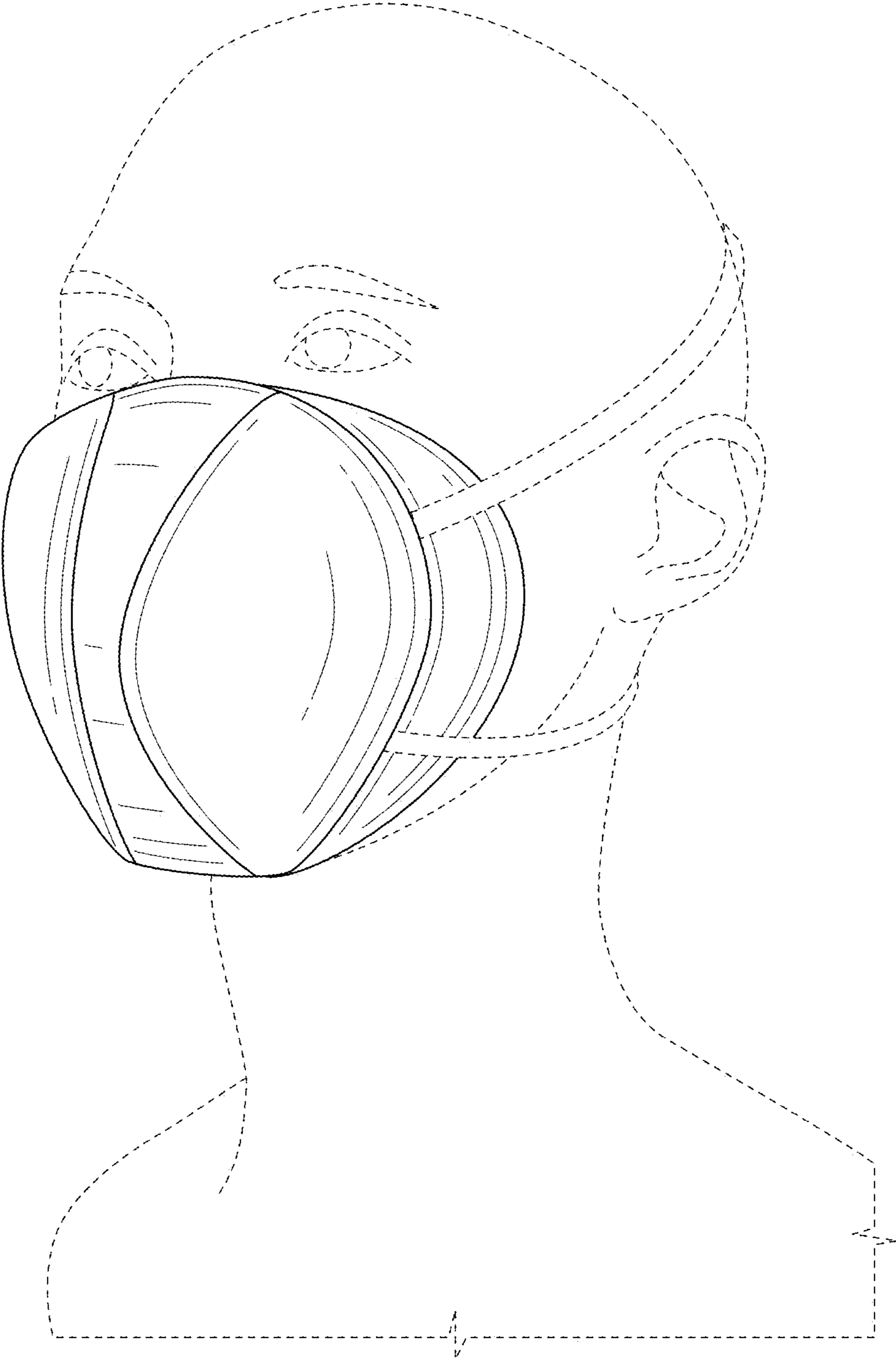


FIG. 1

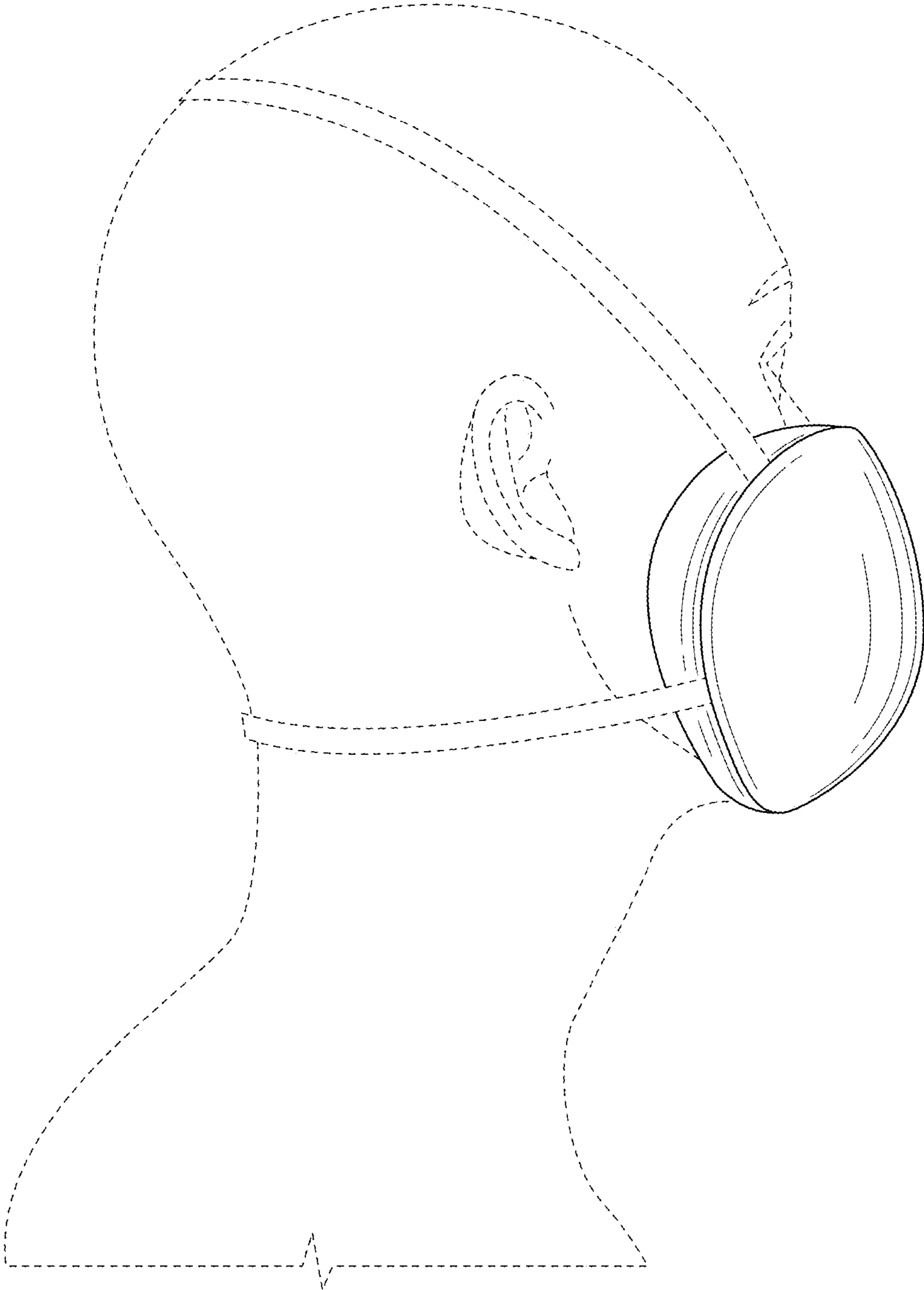


FIG. 2

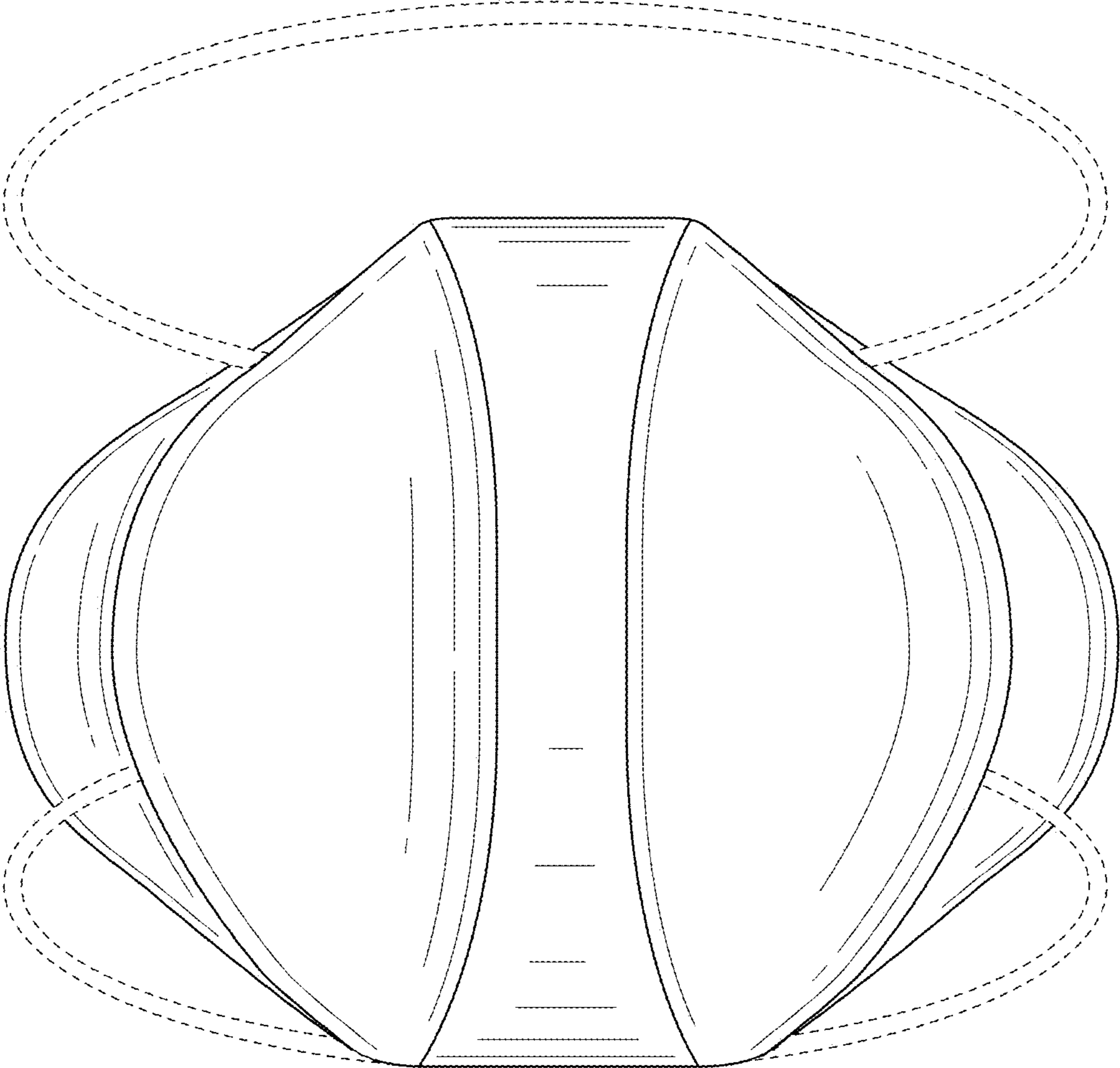


FIG. 3

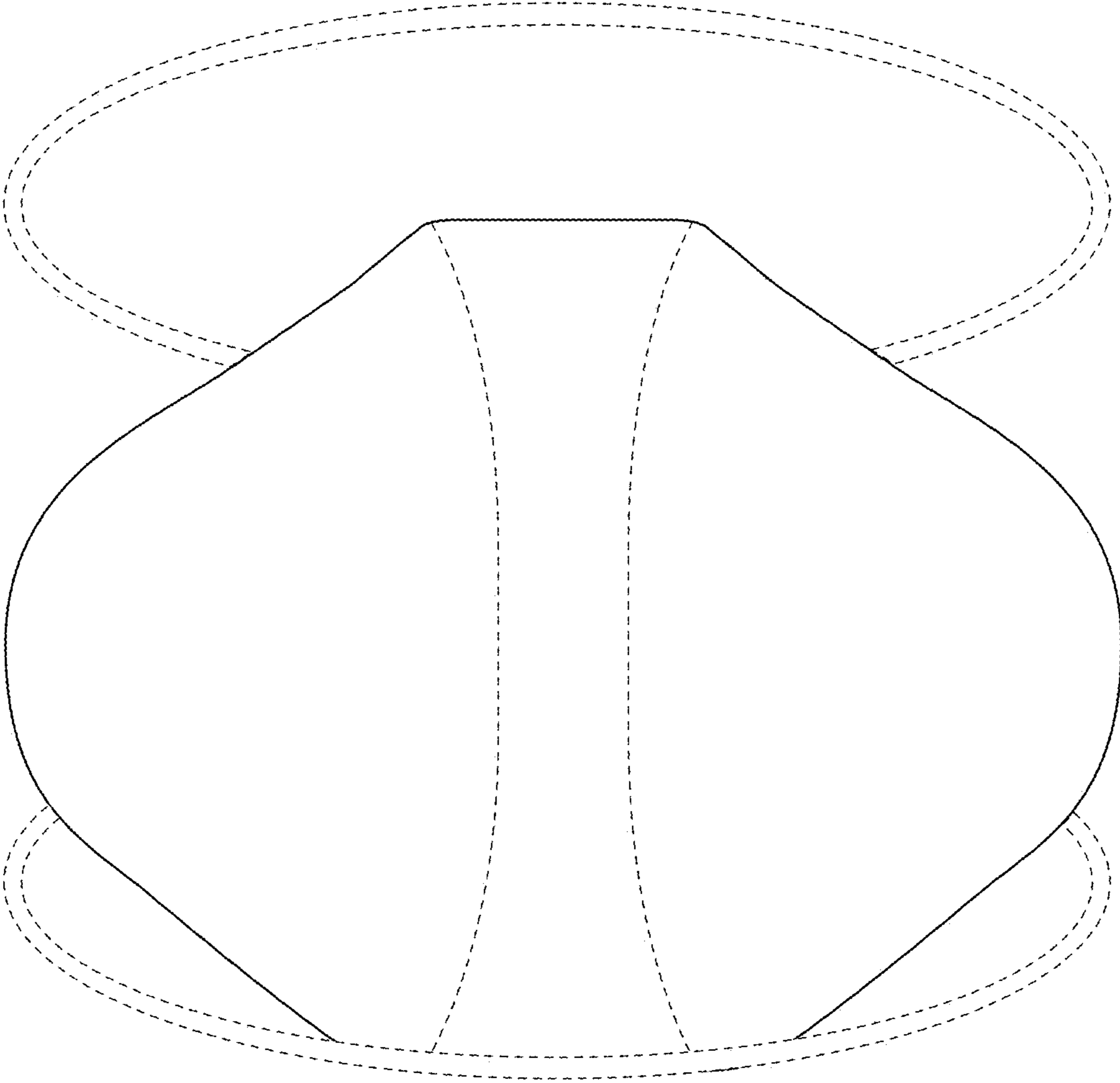


FIG. 4

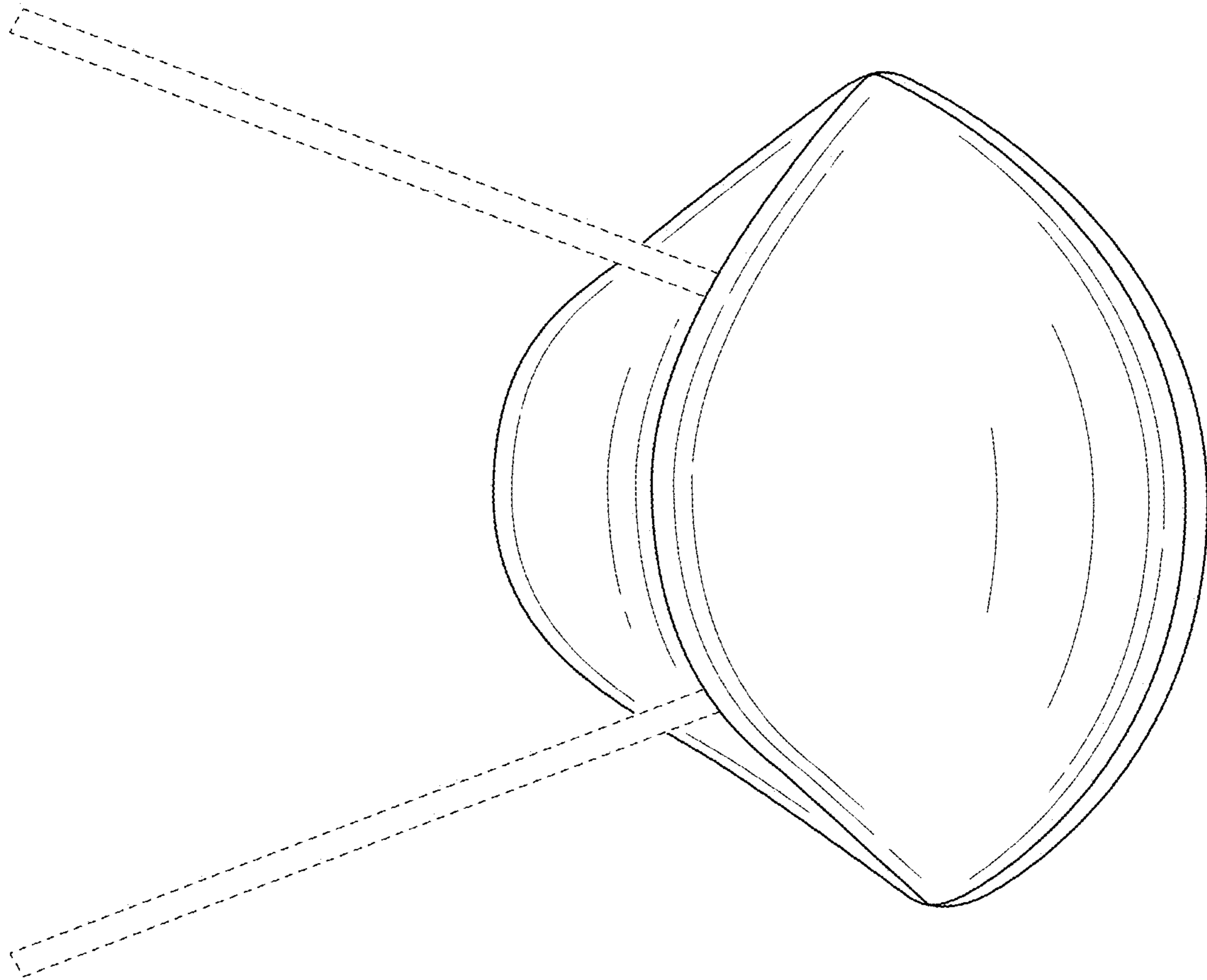


FIG. 5

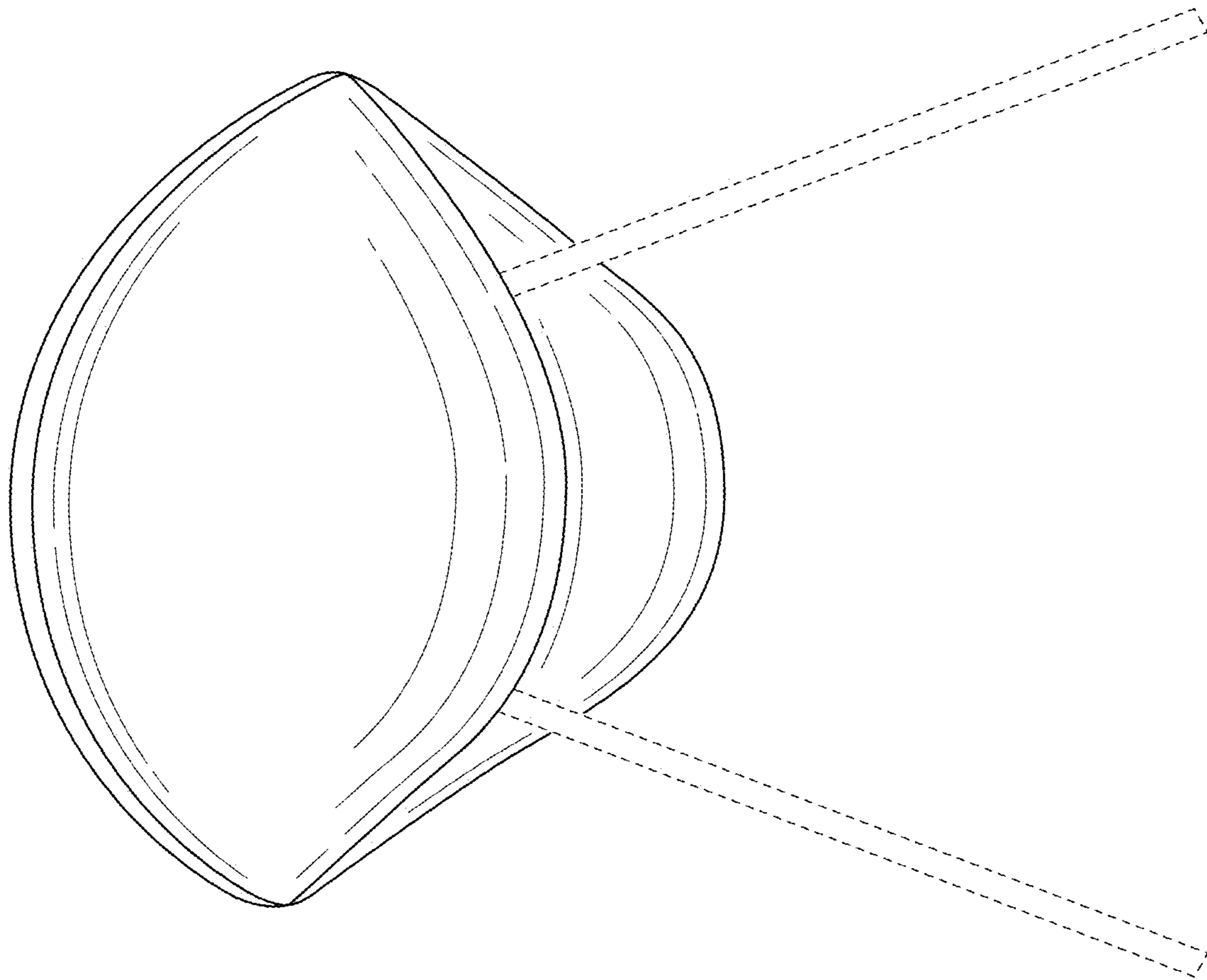


FIG. 6



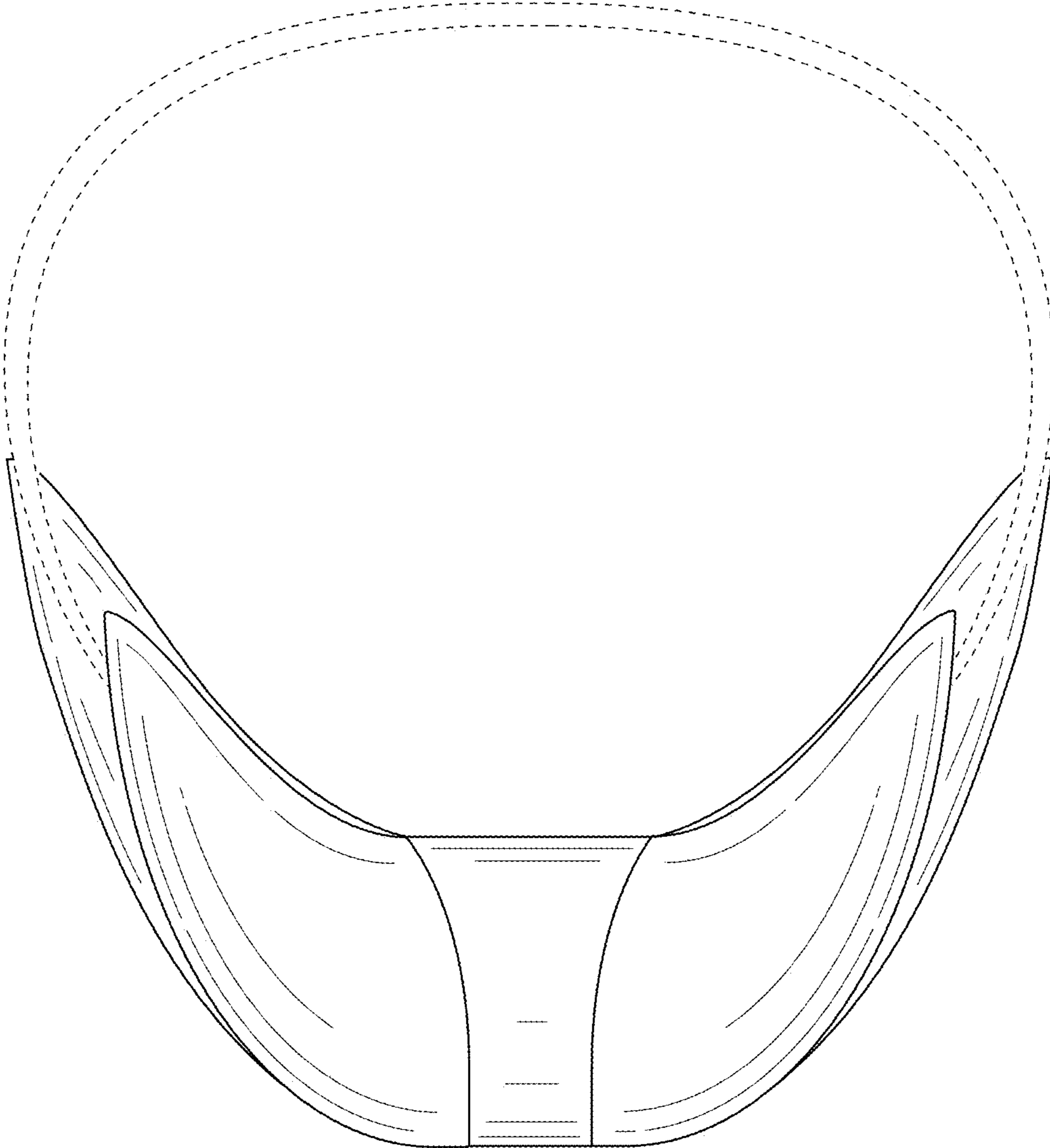


FIG. 7

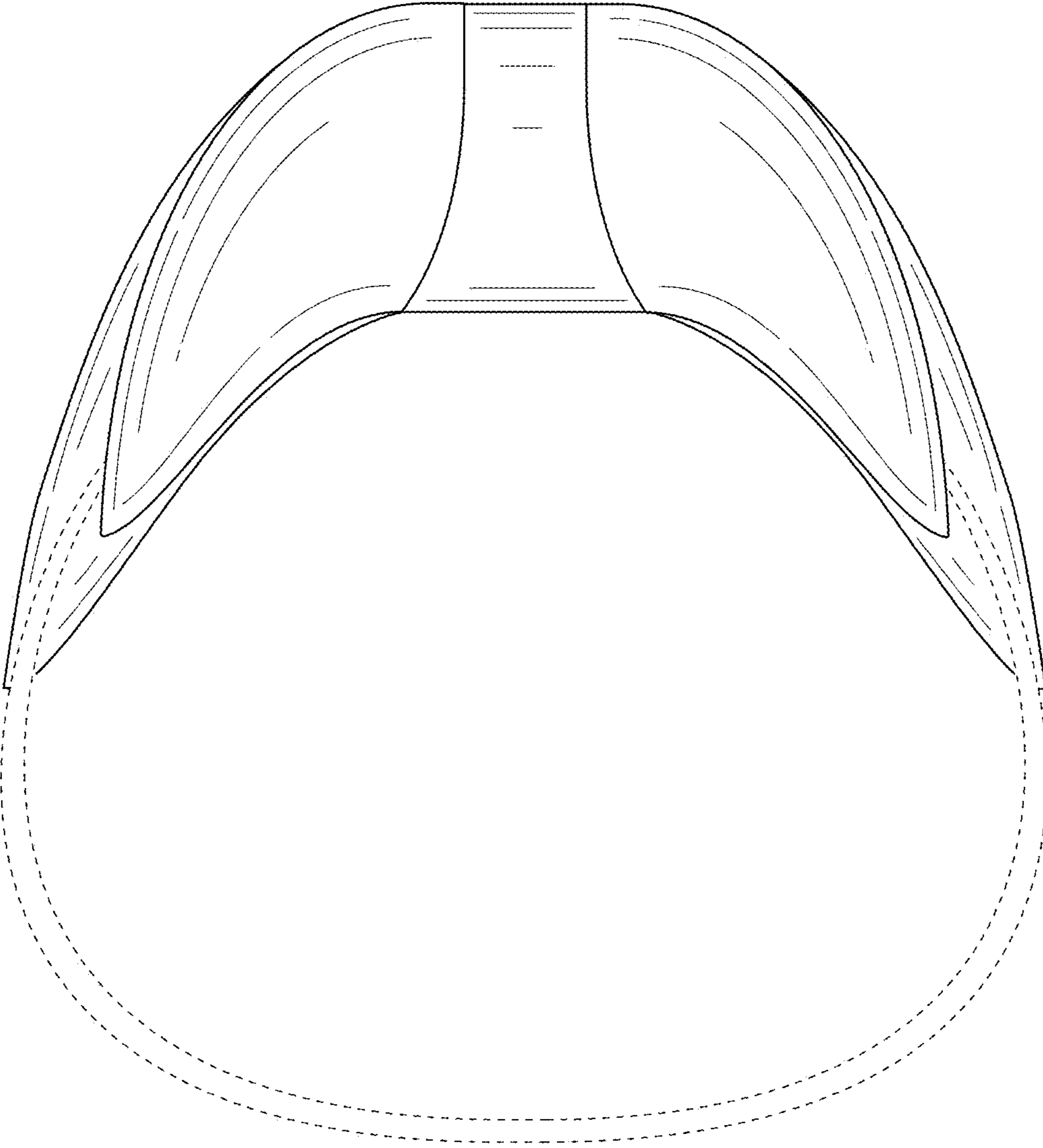


FIG. 8