



US0D1011483S

(12) **United States Design Patent** (10) **Patent No.:** **US D1,011,483 S**
Williams et al. (45) **Date of Patent:** **** Jan. 16, 2024**

(54) **BATH HANDLE AND TUB SPOUT**
(71) Applicant: **AS America, Inc.**, Piscataway, NJ (US)
(72) Inventors: **Emilie Williams**, New York, NY (US); **Jian Zhang**, Guangzhou (CN); **Fen Liu**, Guangzhou (CN)

D677,759 S * 3/2013 Mendoza D23/252
D773,617 S * 12/2016 Potter D23/254
D932,594 S * 10/2021 Lin D23/254
D980,390 S * 3/2023 Wang D23/257

* cited by examiner

Primary Examiner — Robert A Delehanty
(74) *Attorney, Agent, or Firm* — Tyler A. Stevenson;
Anna-lisa L. Gallo

(73) Assignee: **AS America, Inc.**, Piscataway, NJ (US)
(**) Term: **15 Years**

(21) Appl. No.: **29/818,822**

(22) Filed: **Dec. 10, 2021**

(30) **Foreign Application Priority Data**

Jun. 29, 2021 (CN) 202130405667.0

(51) **LOC (14) Cl.** **23-01**

(52) **U.S. Cl.**
USPC **D23/254; D23/257**

(58) **Field of Classification Search**
USPC D23/238–242, 249–250, 252, 254–255,
D23/257; D8/307–308
CPC E03C 1/04; E03C 1/0404; E03C 1/042;
E03C 2001/0415; Y10T 137/9464; F16K
31/60; F16K 31/607

See application file for complete search history.

(56) **References Cited**

U.S. PATENT DOCUMENTS

D508,978 S * 8/2005 Otero D23/257
D676,935 S * 2/2013 Mendoza D23/252

(57) **CLAIM**

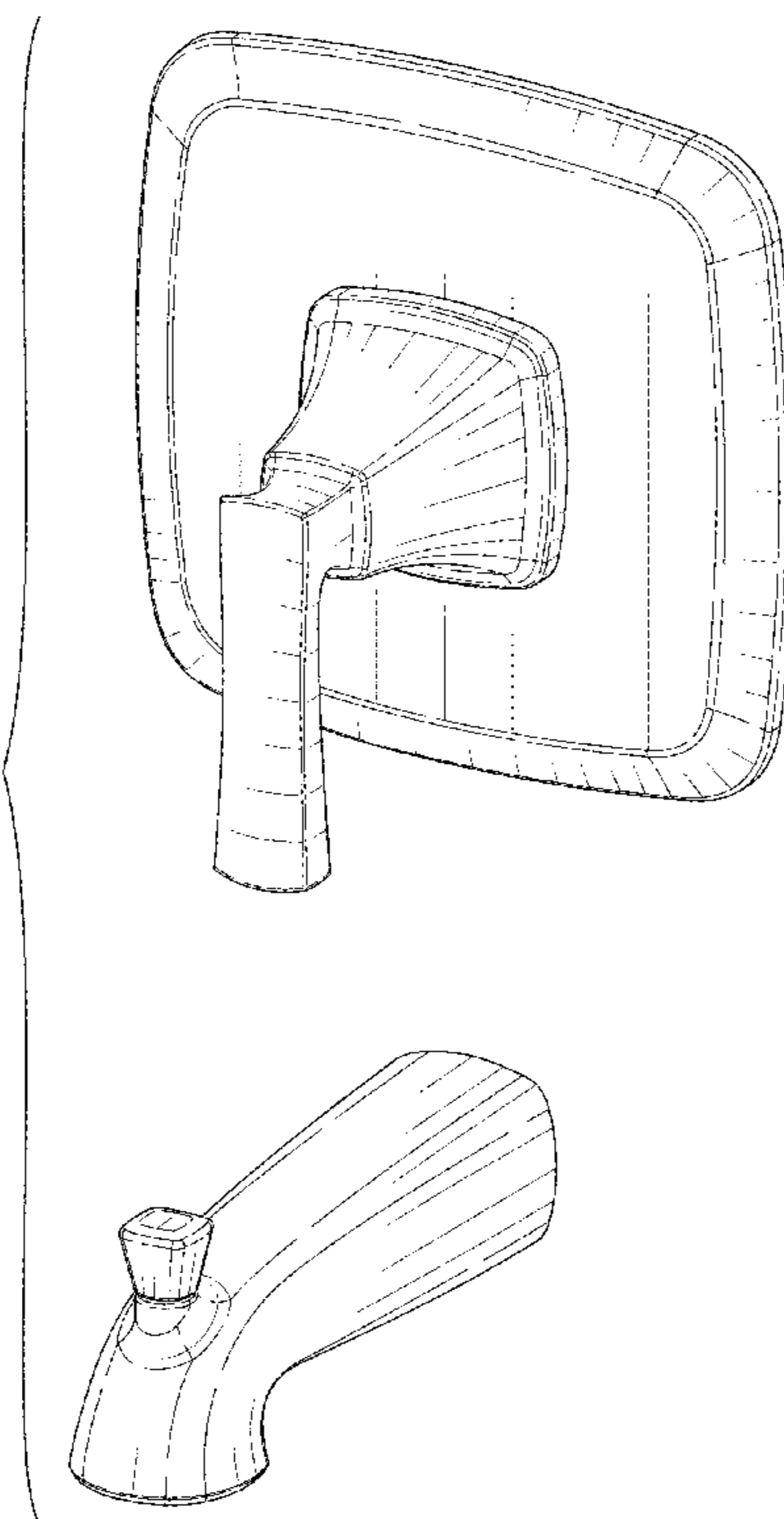
We claim the ornamental design for a bath handle and tub spout, as shown and described.

DESCRIPTION

FIG. 1 is a top, right side, perspective view of a bath handle and tub spout showing our new design;
FIG. 2 is a bottom, left side, perspective view thereof;
FIG. 3 is a front view thereof;
FIG. 4 is a rear view thereof;
FIG. 5 is a left side view thereof;
FIG. 6 is a right side view thereof;
FIG. 7 is a top view thereof; and,
FIG. 8 is a bottom view thereof.

Broken lines of the disclosure represent portions of the bath handle and tub spout that form no part of the claimed design.

1 Claim, 8 Drawing Sheets



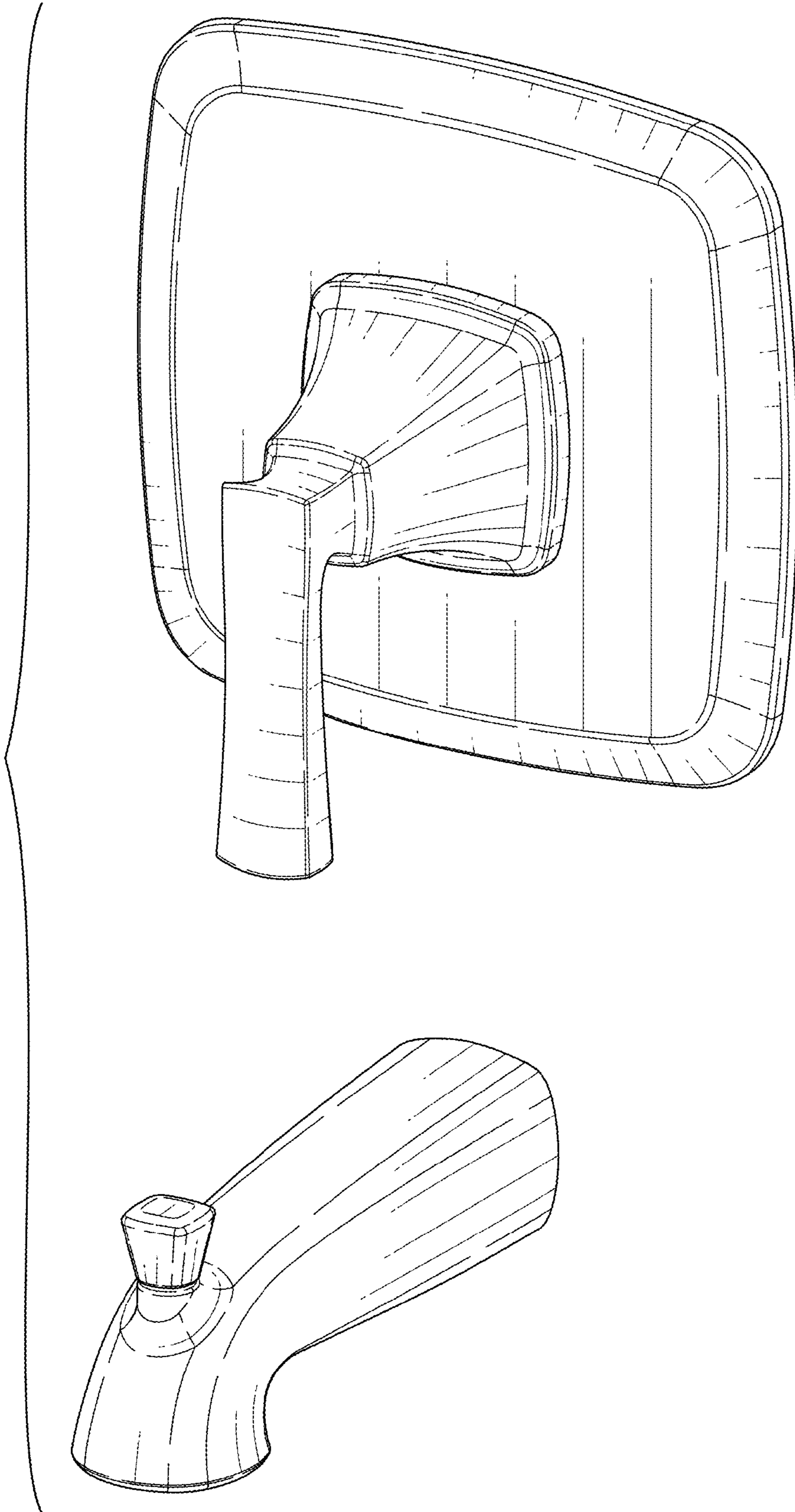


FIG. 1

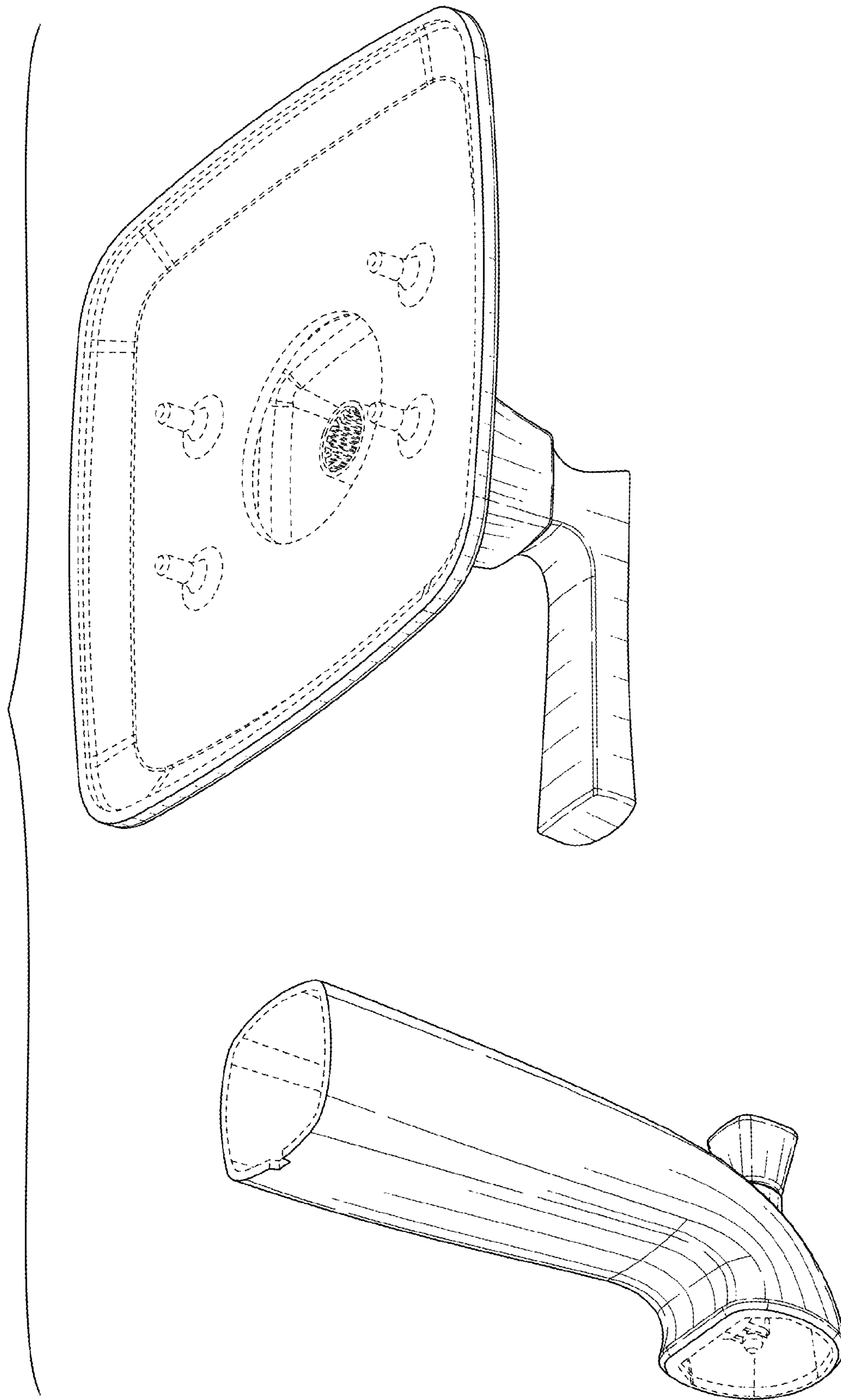


FIG. 2

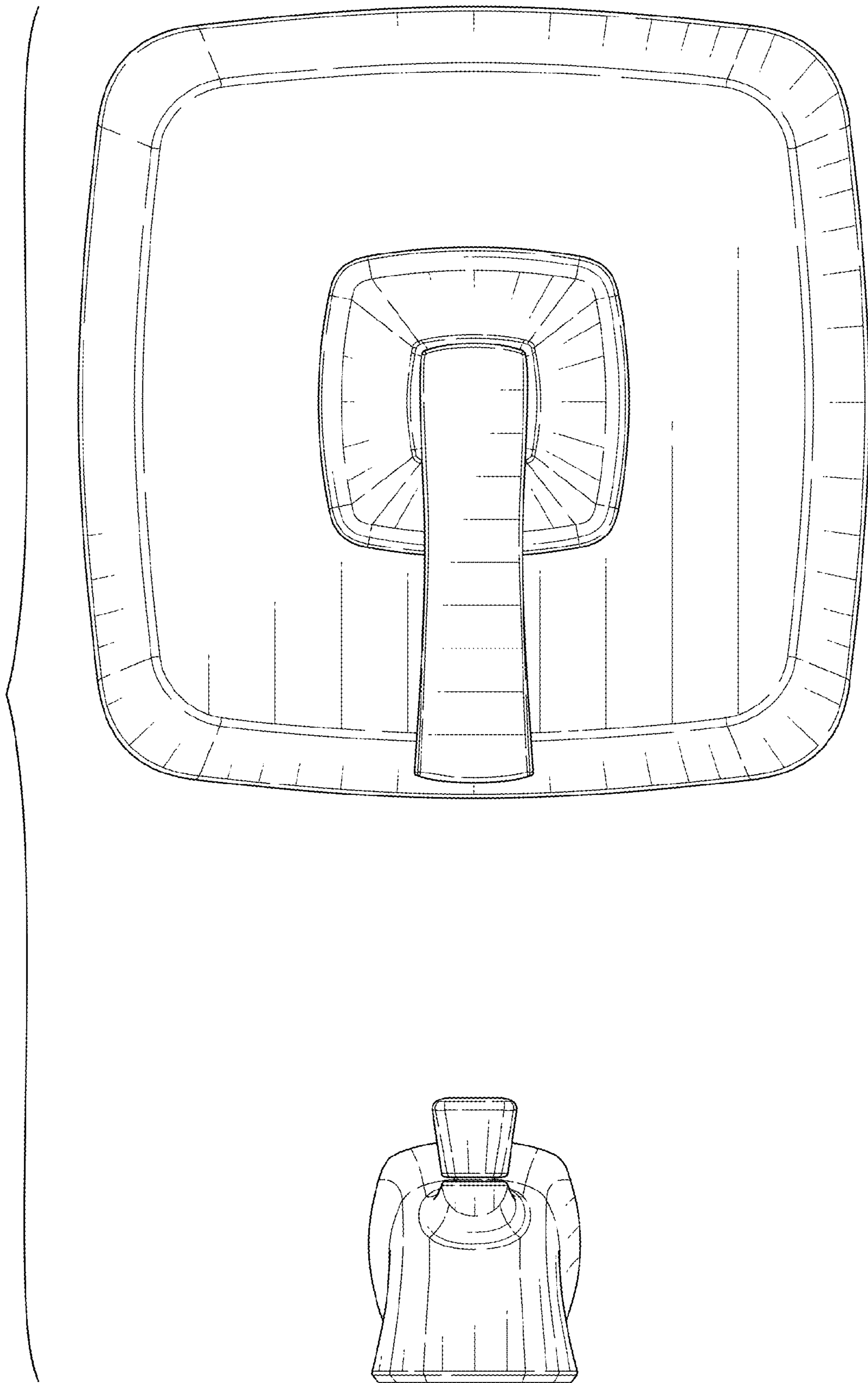


FIG. 3

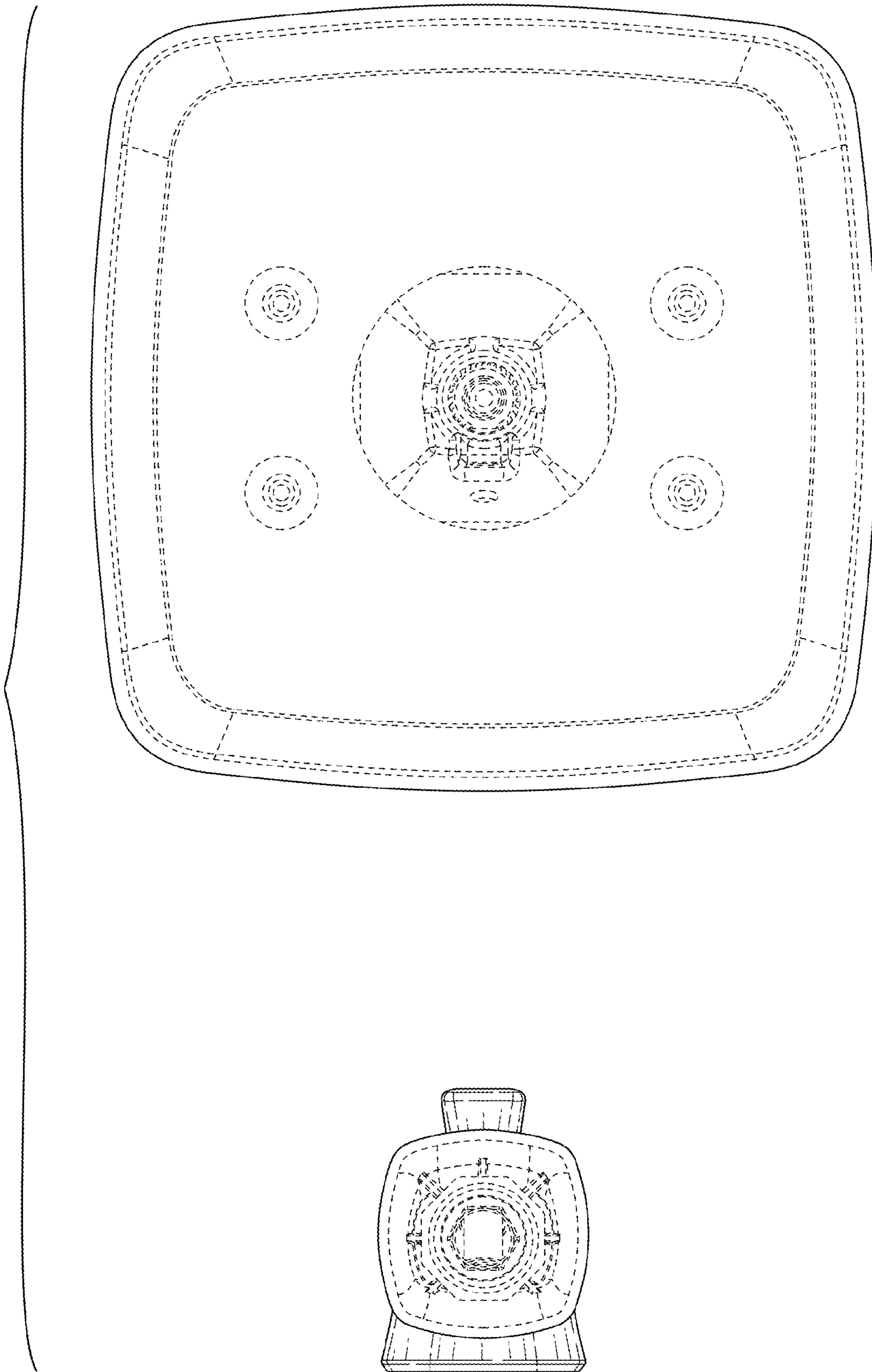


FIG. 4

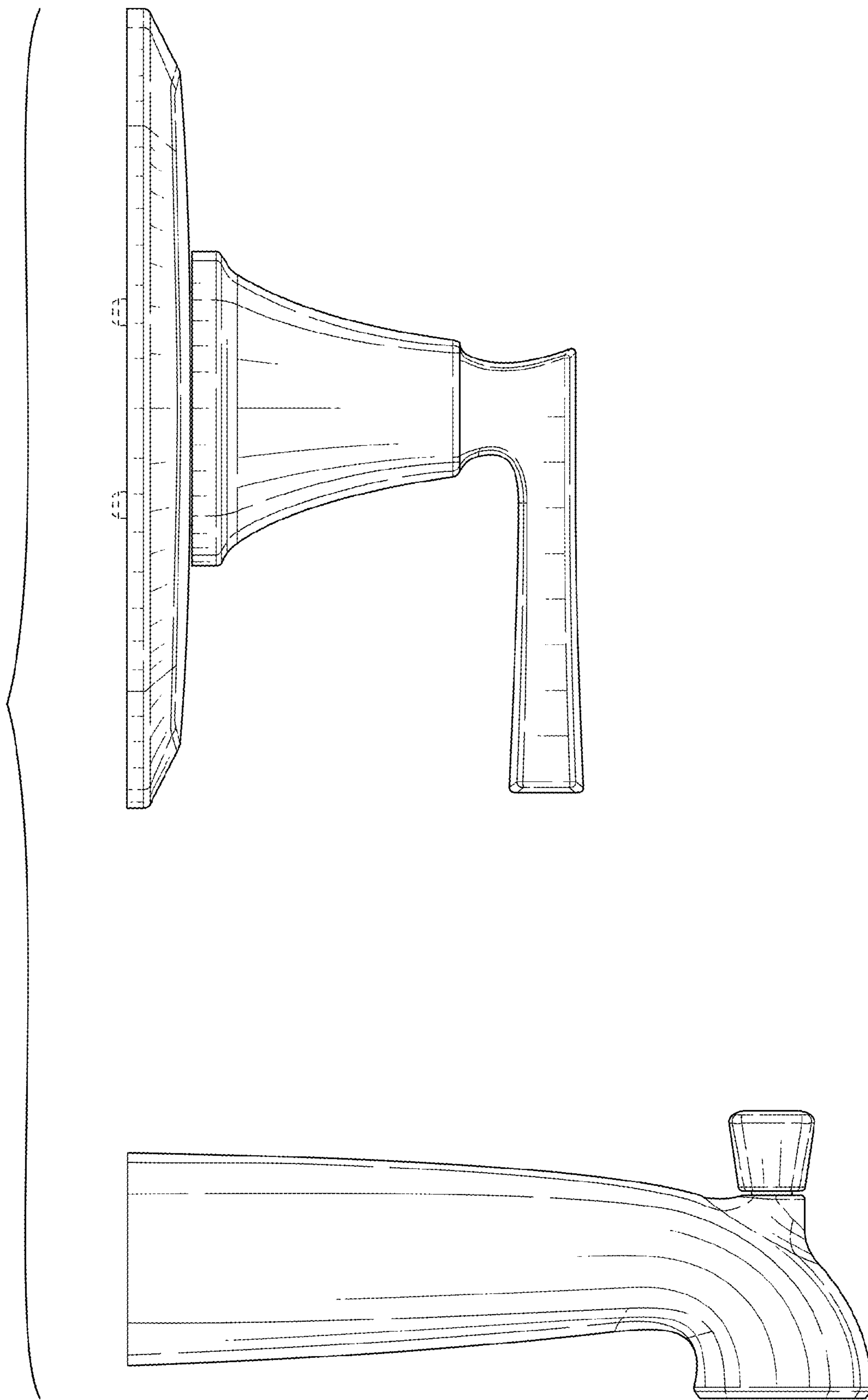


FIG. 5

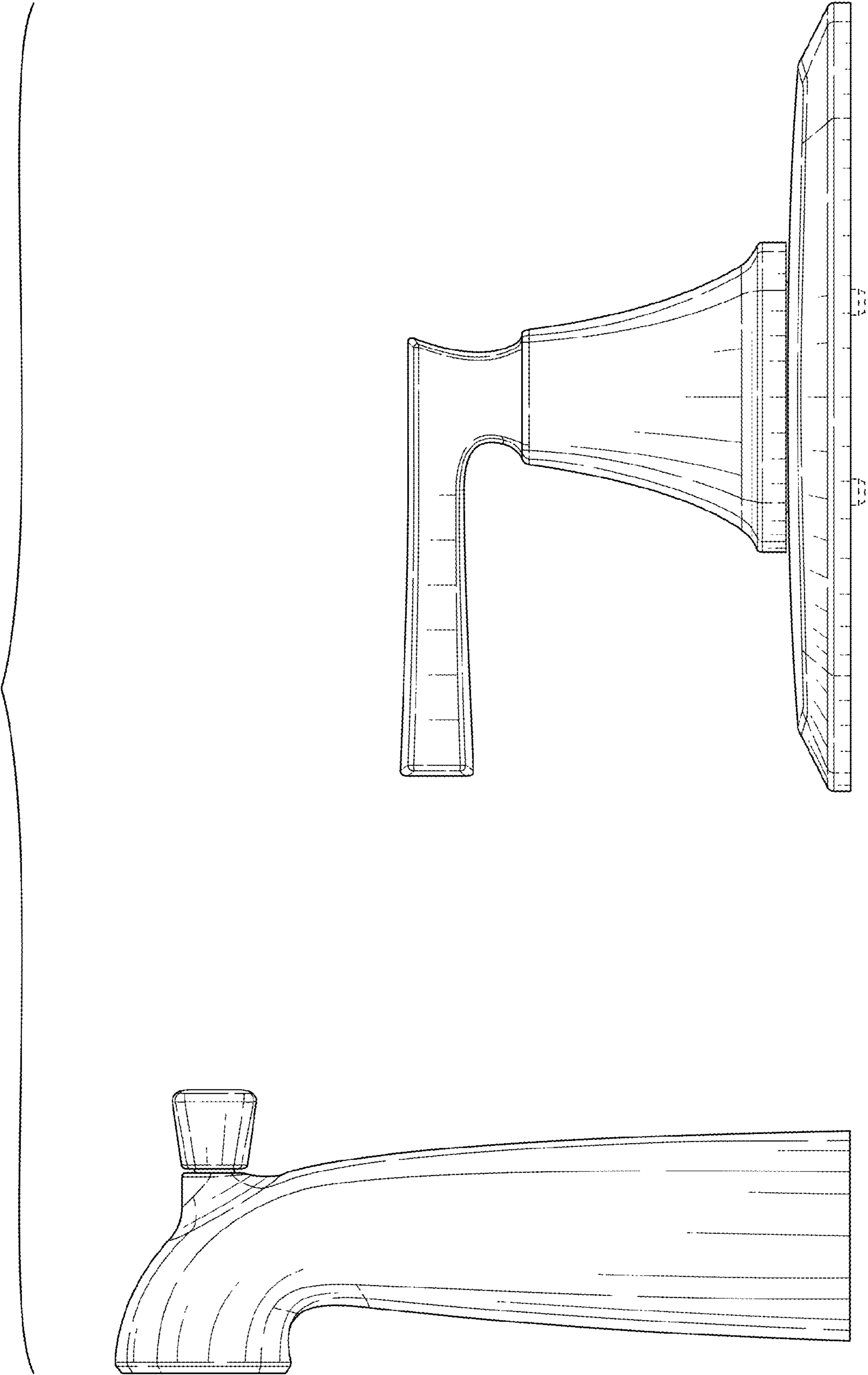


FIG. 6

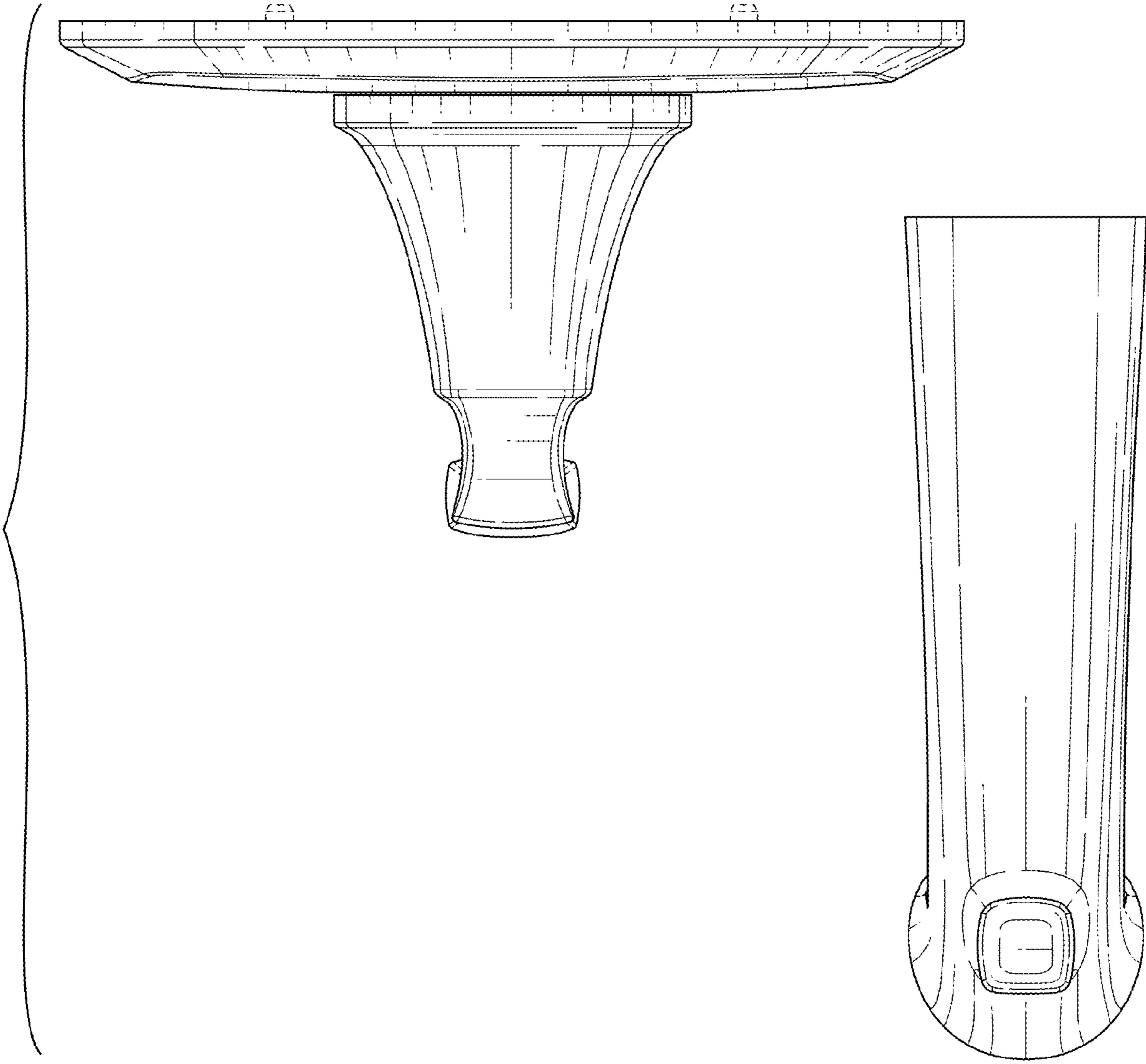


FIG. 7

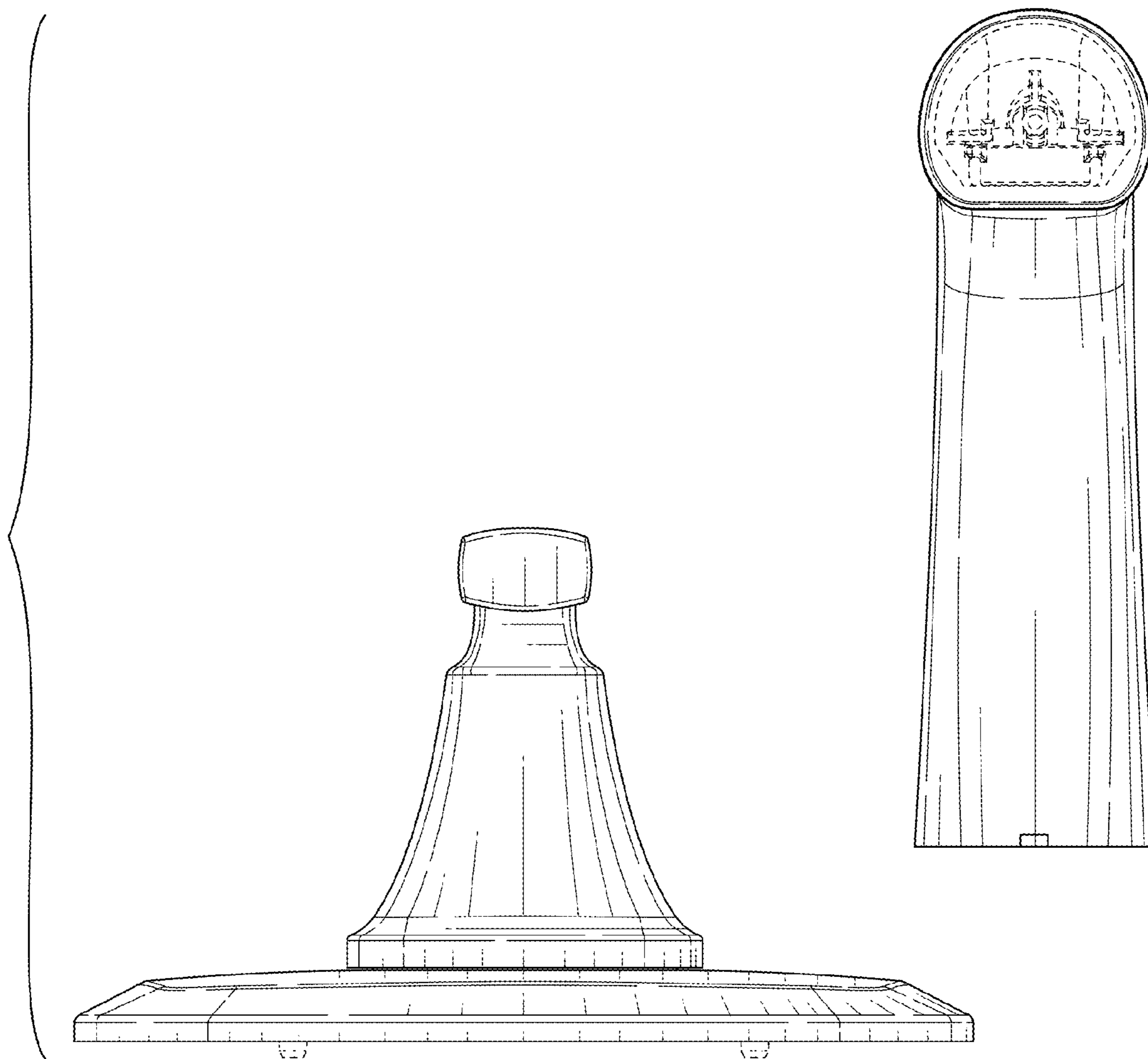


FIG. 8