



US0D1011477S

(12) **United States Design Patent** (10) **Patent No.:** **US D1,011,477 S**  
**Pressey** (45) **Date of Patent:** **\*\* Jan. 16, 2024**

- (54) **AIRLESS SPRAYER TIP TOOL**
- (71) Applicant: **Dennis Alexander Pressey**, Pemberton, NJ (US)
- (72) Inventor: **Dennis Alexander Pressey**, Pemberton, NJ (US)
- (73) Assignee: **TOOL DEN**, Pemberton, NJ (US)
- (\*\*) Term: **15 Years**
- (21) Appl. No.: **29/759,710**
- (22) Filed: **Nov. 24, 2020**
- (51) **LOC (14) Cl.** ..... **23-01**
- (52) **U.S. Cl.**  
USPC ..... **D23/213**
- (58) **Field of Classification Search**  
USPC ..... D23/213, 214, 215, 223, 224, 226, 229, D23/230  
CPC ..... A61H 9/0021; A61H 33/00; B05B 1/00; B05B 1/14; B05B 1/185; B05B 1/08; B05B 1/02; B05B 1/26; B05B 12/002; B05B 1/18; B05B 9/01  
See application file for complete search history.

6,978,944 B1 \* 12/2005 Carey ..... B05B 15/534 239/119  
 D796,003 S \* 8/2017 Rossner ..... D23/213  
 11,065,742 B1 \* 7/2021 Pressey ..... B05B 15/52  
 2001/0032889 A1 \* 10/2001 Tam ..... B05B 15/534 239/119  
 2007/0102535 A1 \* 5/2007 Carey ..... B05B 15/534 239/74

- (56) **References Cited**  
U.S. PATENT DOCUMENTS  
4,971,249 A \* 11/1990 Tam ..... B05B 15/534 239/119  
5,765,753 A \* 6/1998 Kieffer ..... B05B 15/534 239/119  
5,893,522 A \* 4/1999 Kieffer ..... B05B 15/534 239/600  
6,481,640 B1 \* 11/2002 Carey ..... B05B 9/01 239/119

**OTHER PUBLICATIONS**

Wagner Spraytech 515 Reversible Spray Tip for Select Airless, Aug. 31, 2011, amazon.ca, Aug. 16, 2023, URL: <https://www.amazon.ca/Wagner-0501515-Reversible-Spray-515/dp/B00004TUDJ/> (Year: 2011).\*

\* cited by examiner

*Primary Examiner* — Keith J Wilson

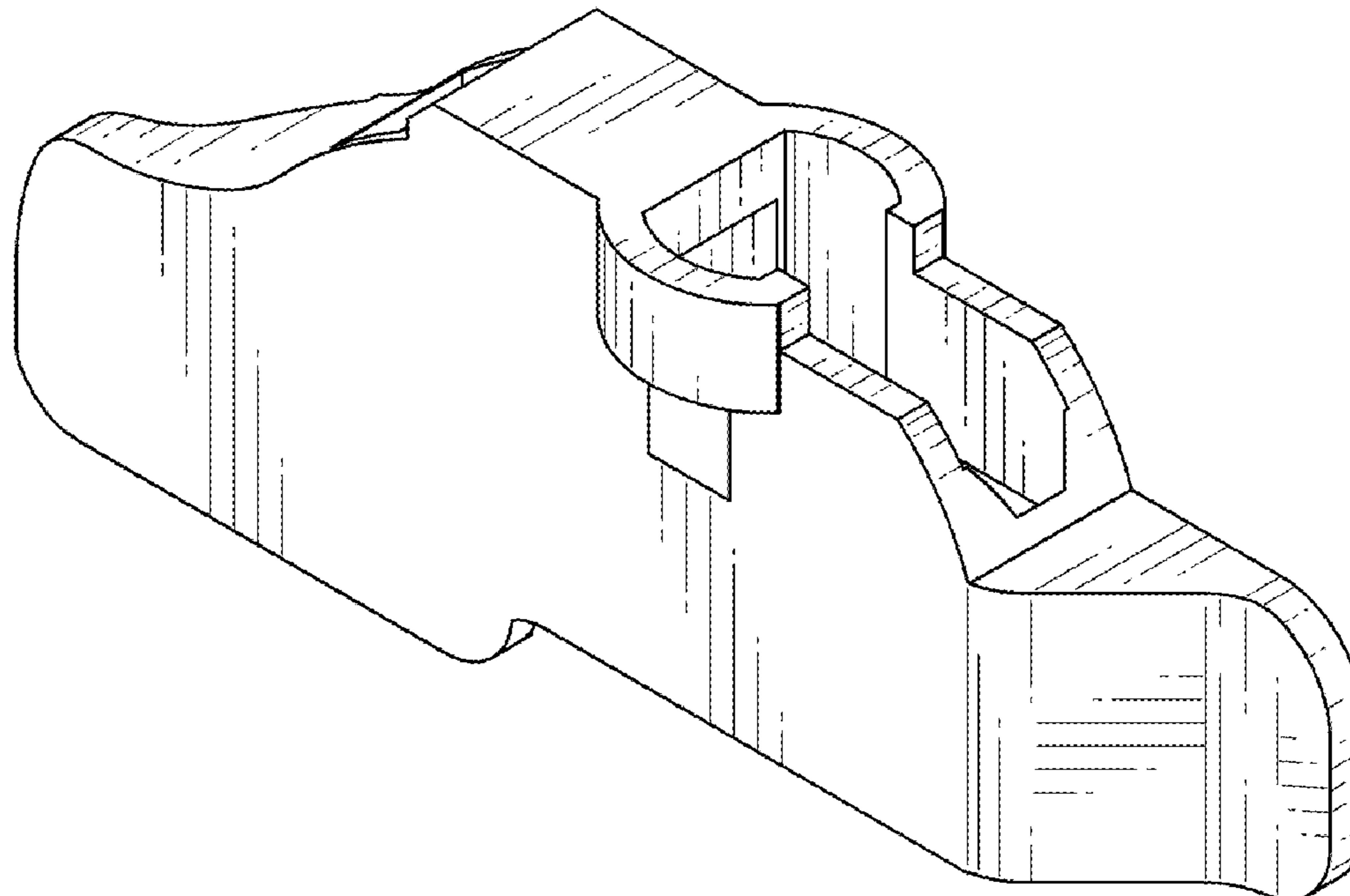
(57) **CLAIM**

The ornamental design for an airless sprayer tip tool, as shown and described.

**DESCRIPTION**

FIG. 1 is a top front perspective view of an airless sprayer tip tool showing my new design;  
 FIG. 2 is a top rear perspective view thereof;  
 FIG. 3 is a left elevational view thereof;  
 FIG. 4 is a right elevational view thereof;  
 FIG. 5 is a top plan view thereof;  
 FIG. 6 is a bottom plan view thereof;  
 FIG. 7 is a front elevational view thereof;  
 FIG. 8 is a back elevational view thereof;  
 FIG. 9 is a cross sectional view taken along line A-A in FIG. 5; and,  
 FIG. 10 is an isometric view of FIG. 9.

**1 Claim, 10 Drawing Sheets**



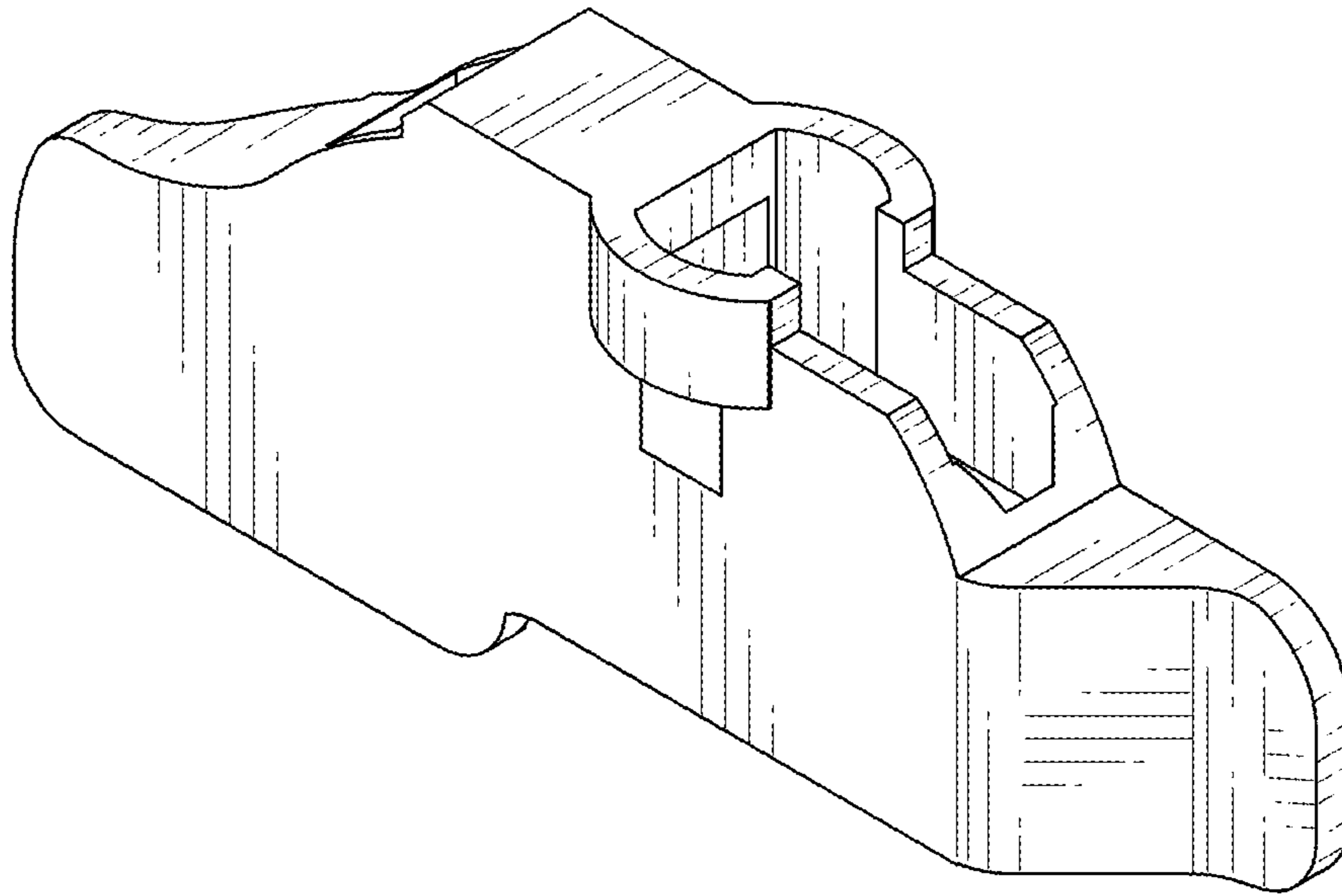


FIG. 1

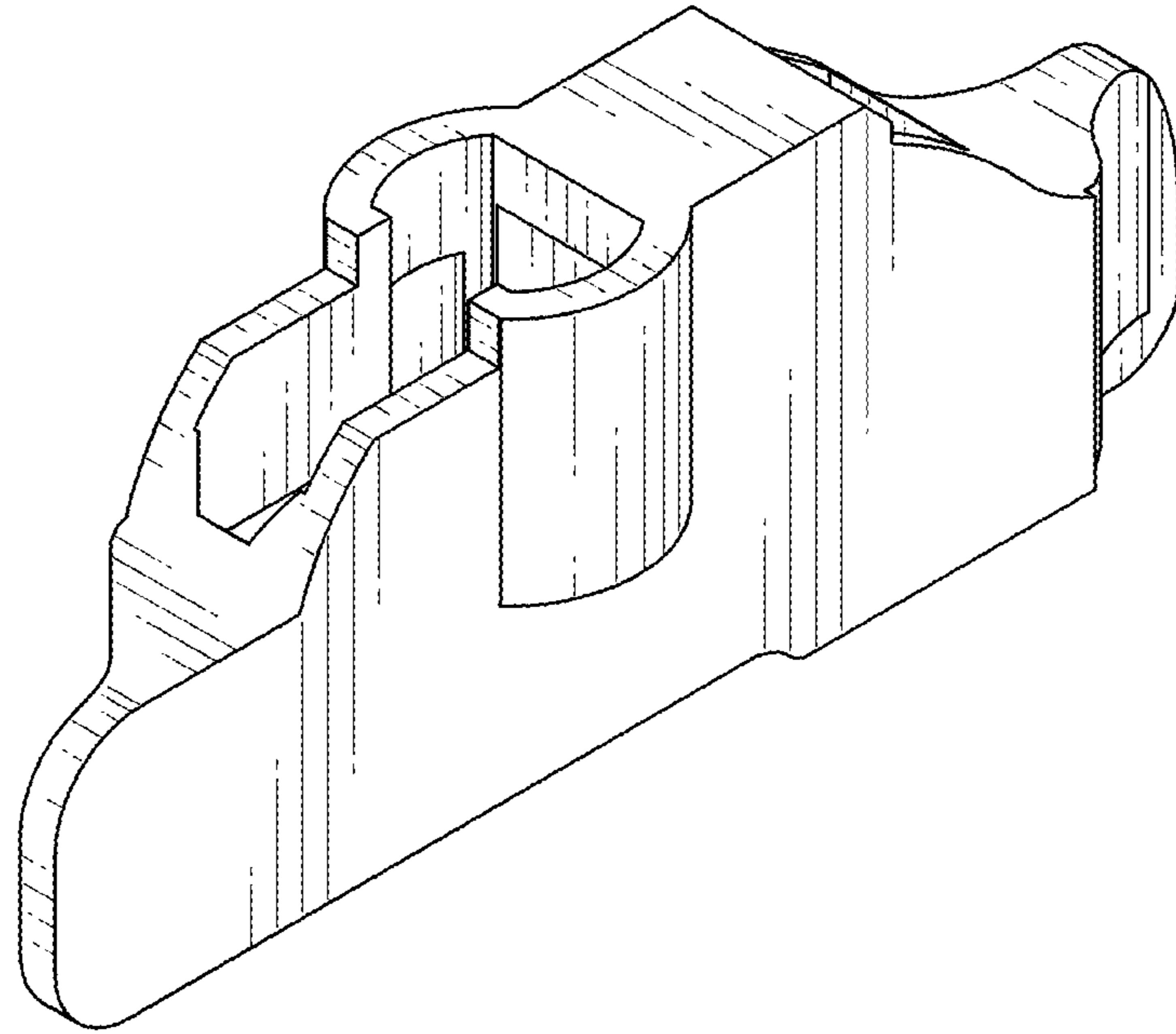


FIG. 2

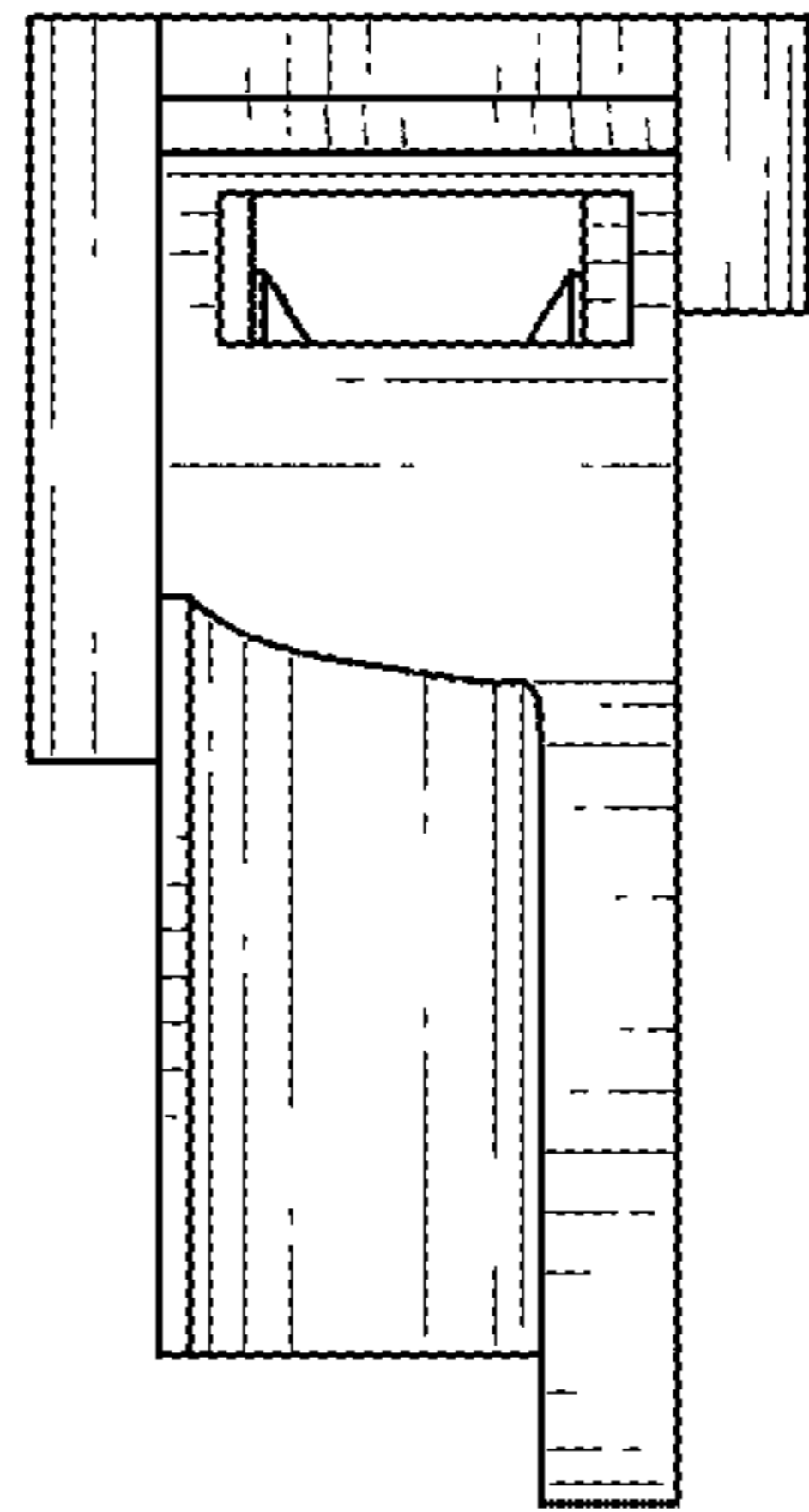


FIG. 3

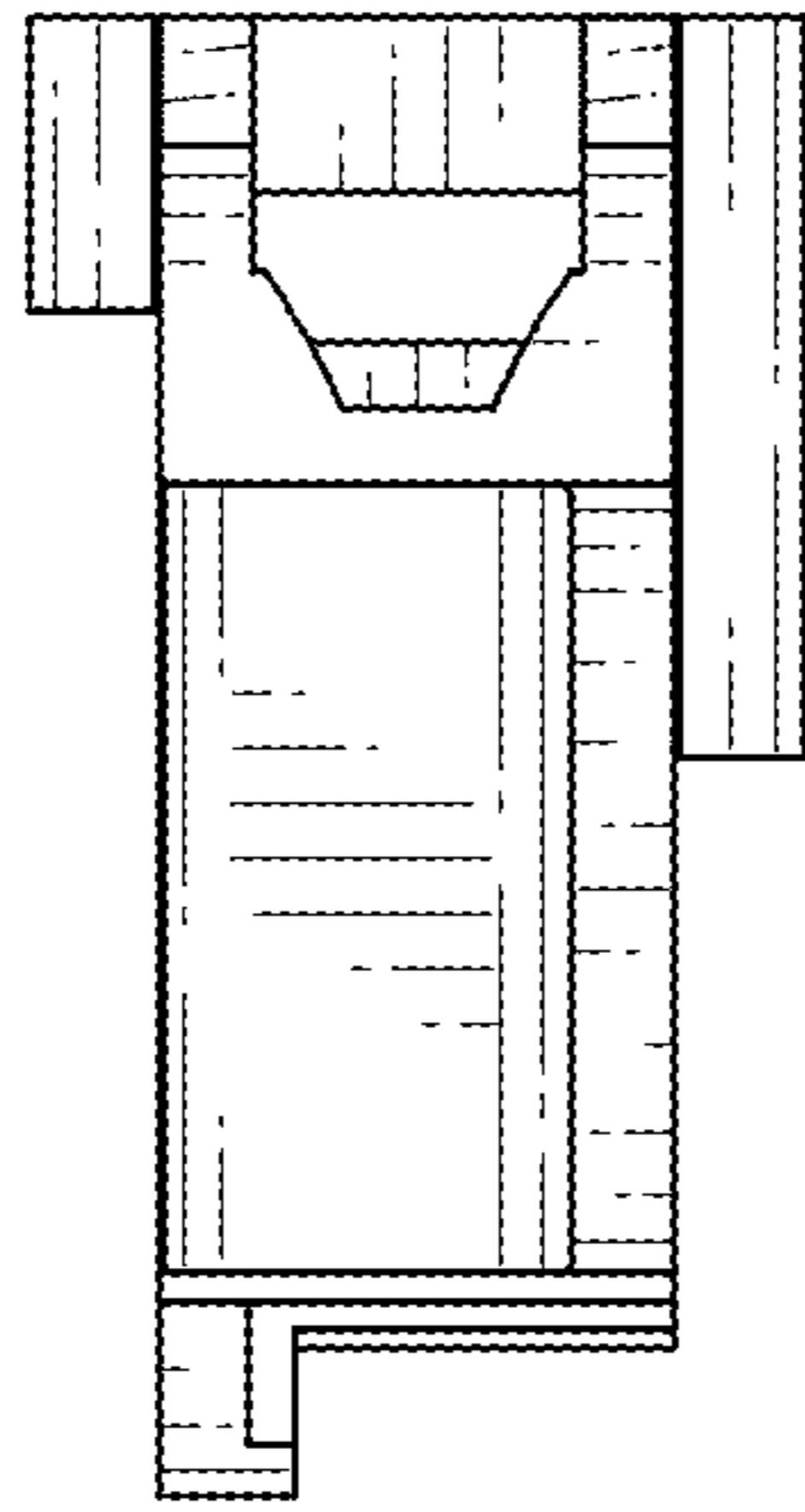


FIG. 4

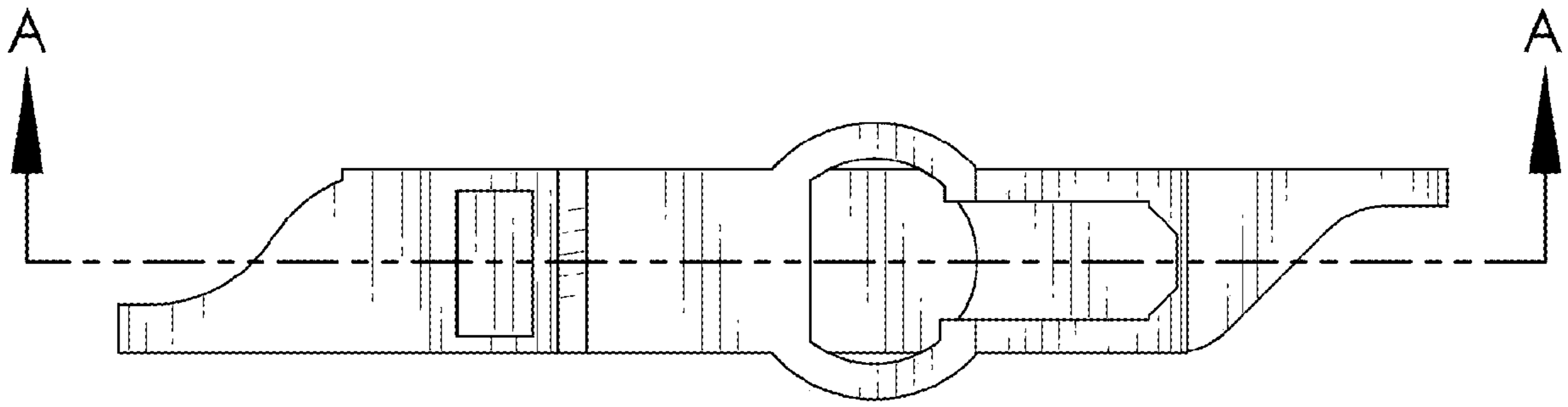


FIG. 5

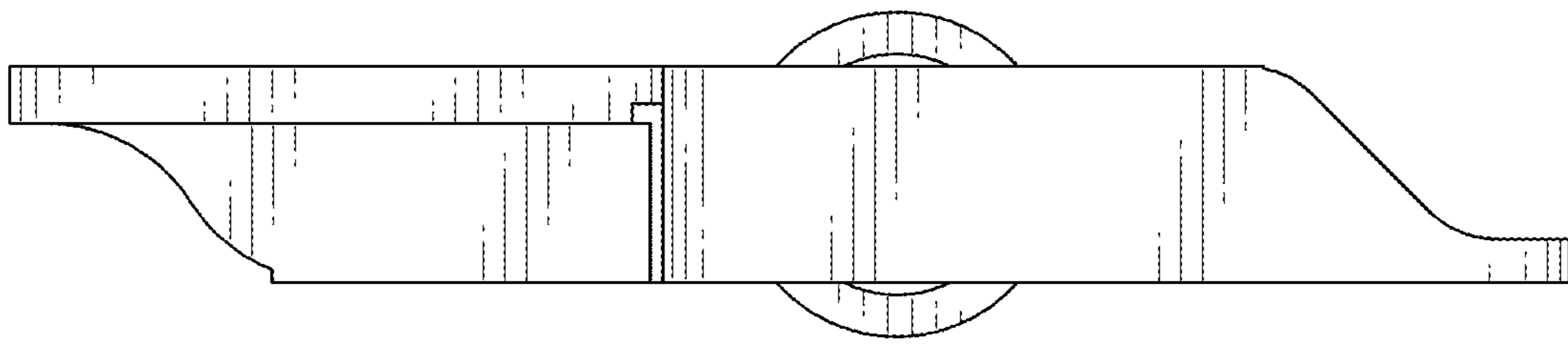


FIG. 6

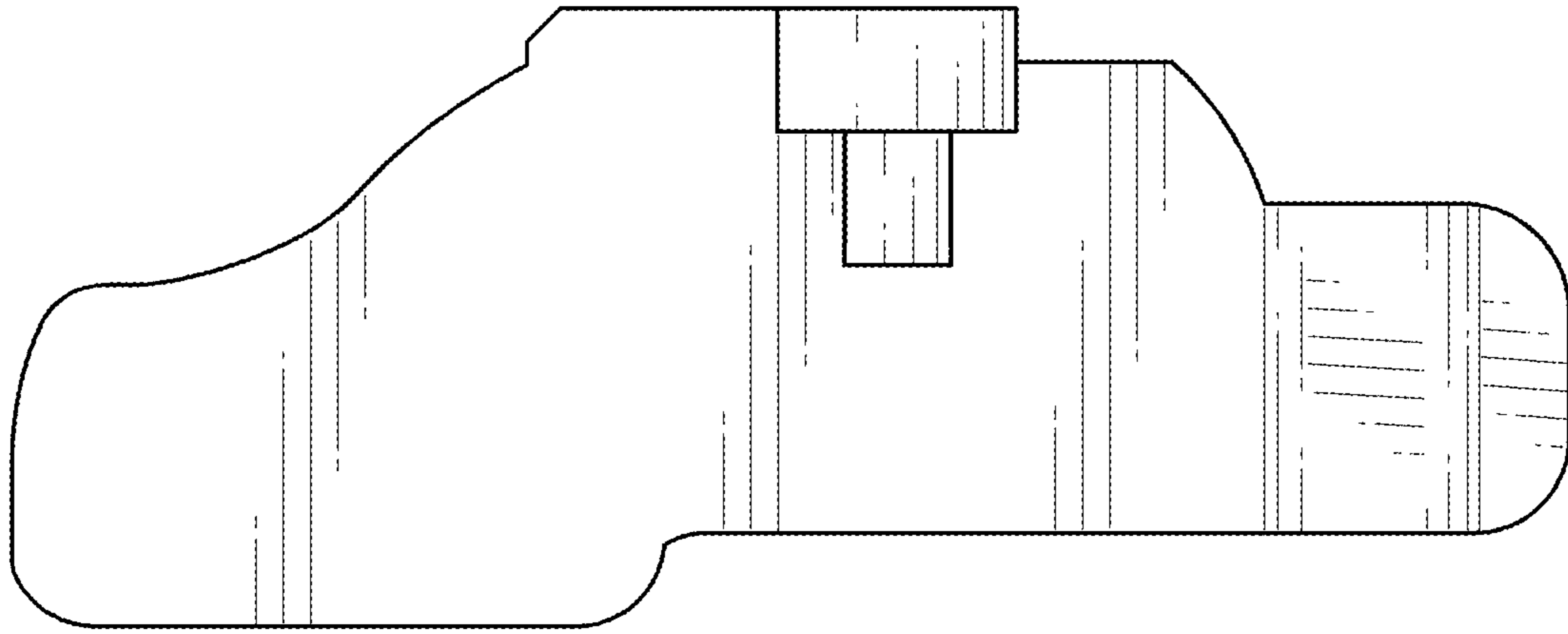


FIG. 7



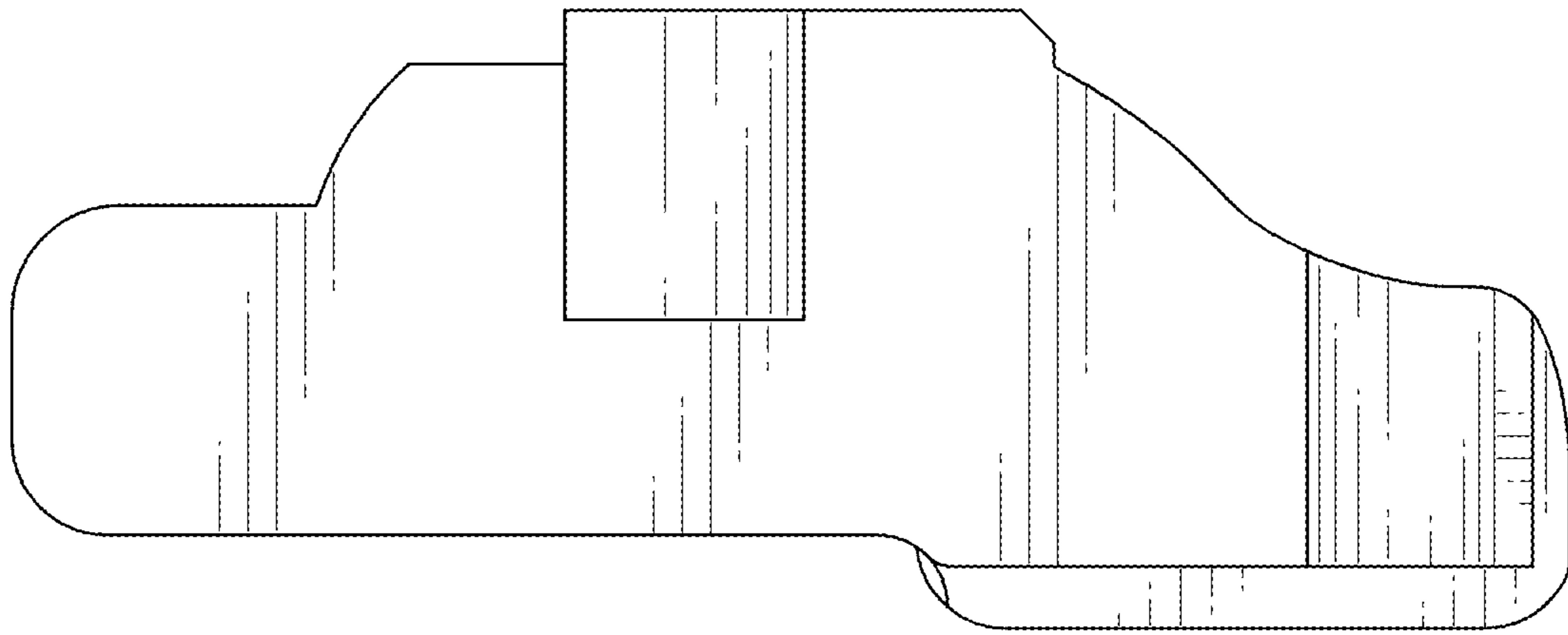
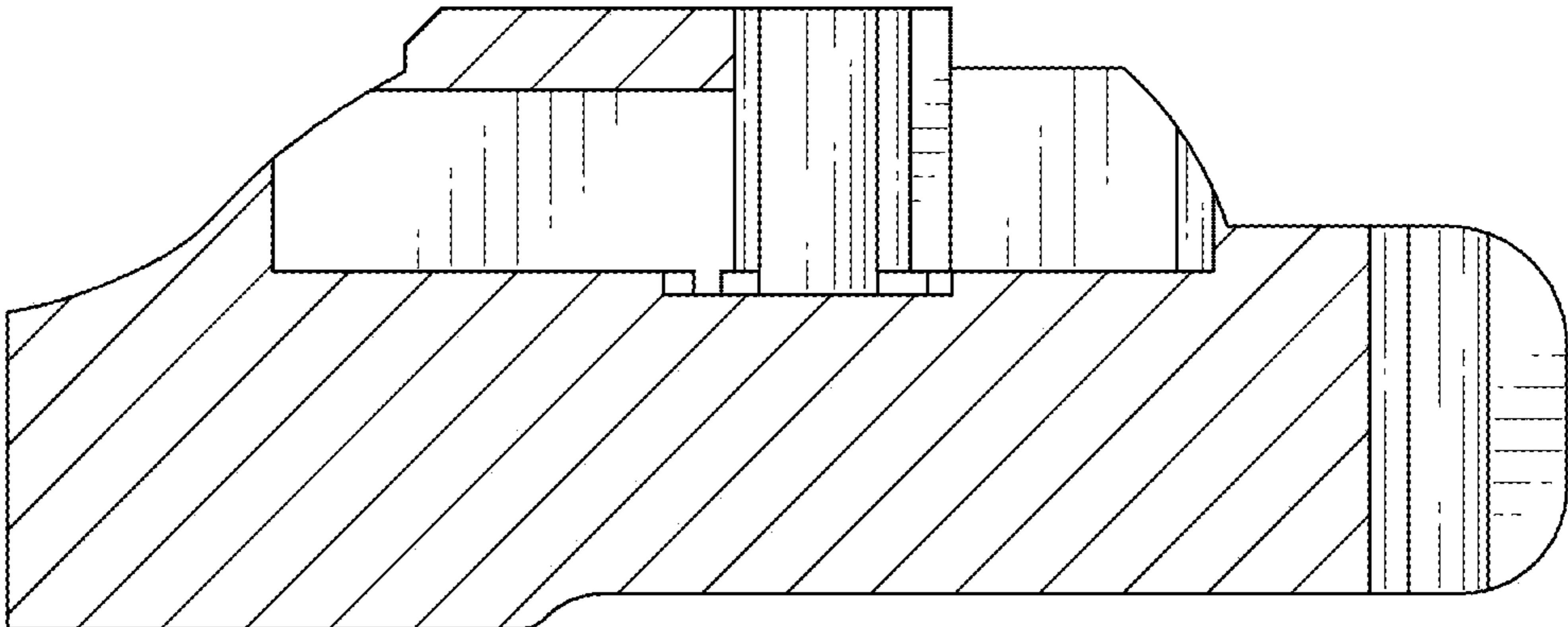
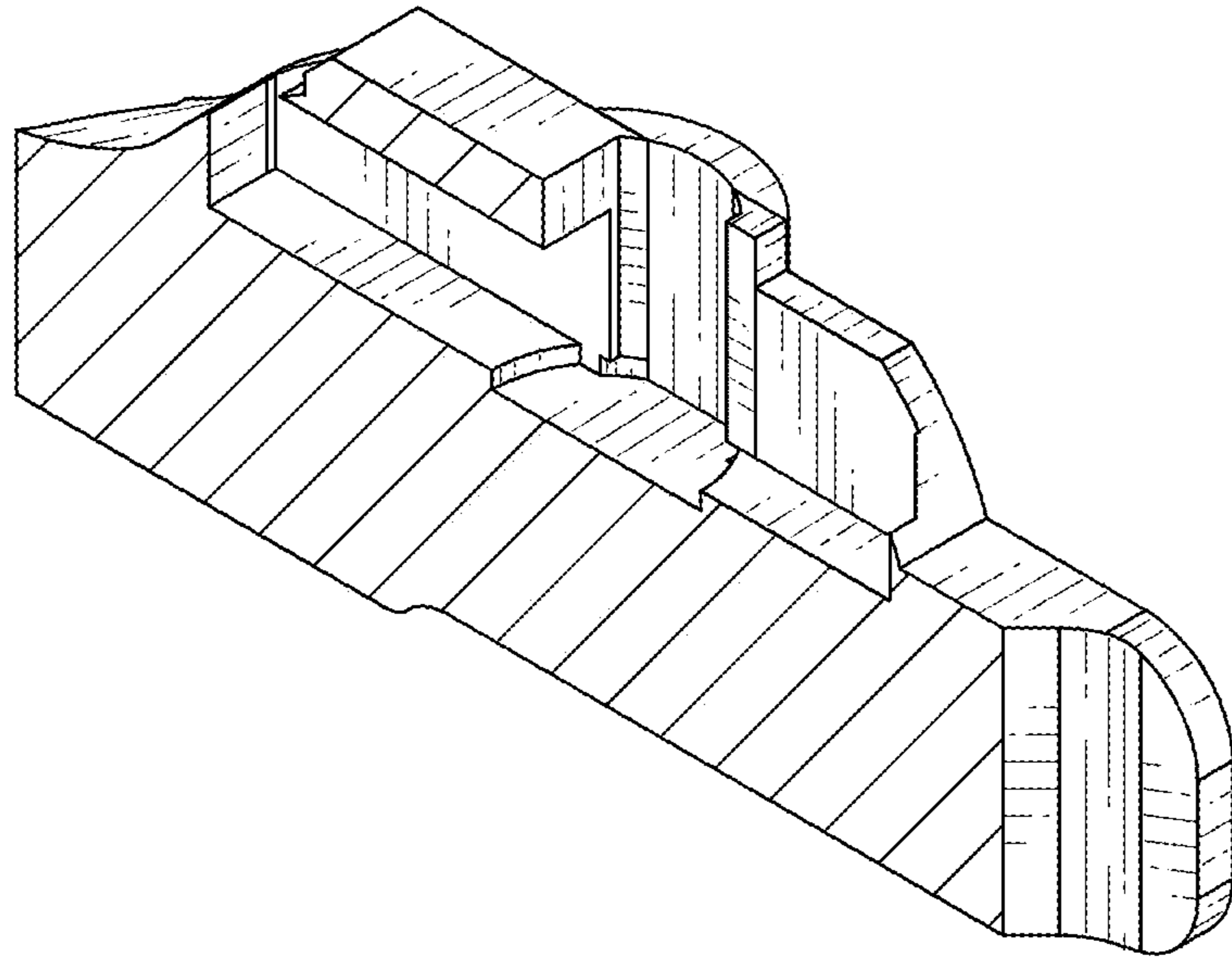


FIG. 8



SECTION A-A

FIG. 9



SECTION A-A

FIG. 10