



US0D1011472S

(12) **United States Design Patent**  
**Bachand**

(10) **Patent No.:** **US D1,011,472 S**

(45) **Date of Patent:** **\*\* Jan. 16, 2024**

- (54) **TANK**
- (71) Applicant: **Renu Therapy, LLC**, Costa Mesa, CA (US)
- (72) Inventor: **Bill Bachand**, Santa Ana, CA (US)
- (73) Assignee: **Renu Therapy, LLC**, Costa Mesa, CA (US)
- (\*\*) Term: **15 Years**
- (21) Appl. No.: **29/913,230**
- (22) Filed: **Sep. 28, 2023**

- D412,973 S 8/1999 Donnelly
- D468,813 S 1/2003 Kohler et al.
- D475,127 S 5/2003 Svendsen et al.
- D482,763 S 11/2003 Thomas
- D483,840 S 12/2003 Molinaro
- D483,875 S 12/2003 Dupras
- D495,802 S 9/2004 Walker et al.
- D498,521 S 11/2004 Bayer

(Continued)

**FOREIGN PATENT DOCUMENTS**

CN	201830229906	10/2018
GB	6035899	5/2018

**OTHER PUBLICATIONS**

US D796,647 S, 09/2017, Schoenherr et al. (withdrawn)

(Continued)

*Primary Examiner* — Calvin E Vansant

*Assistant Examiner* — Mark T. Philipps

(74) *Attorney, Agent, or Firm* — Knobbe Martens Olson & Bear, LLP

**Related U.S. Application Data**

- (63) Continuation of application No. 29/867,442, filed on Oct. 25, 2022.
- (51) **LOC (14) Cl.** ..... **24-01**
- (52) **U.S. Cl.**  
USPC ..... **D24/204**
- (58) **Field of Classification Search**  
USPC ..... D25/2; D24/201–205; D15/79, 83;  
D23/276–278, 280.1, 280.2, 280.3  
CPC ..... A47K 3/022; A47K 3/062; A61H 33/06;  
A61H 33/066; A61H 33/6055; A61H  
33/6021; A61H 33/6089; A61H 33/6094;  
A61H 2035/004; A61H 35/006  
See application file for complete search history.

(57) **CLAIM**

The ornamental design for a tank, as shown and described.

**DESCRIPTION**

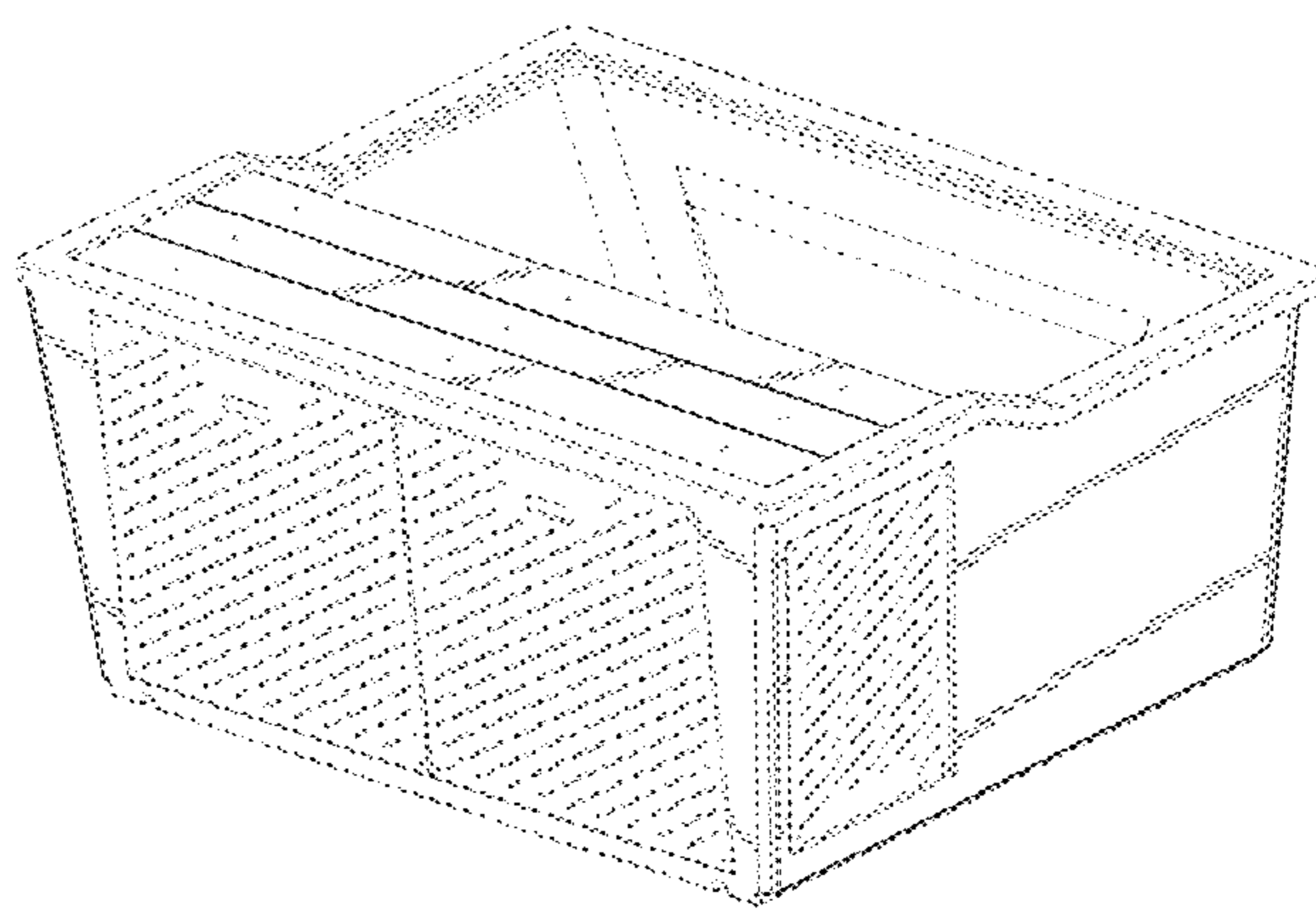
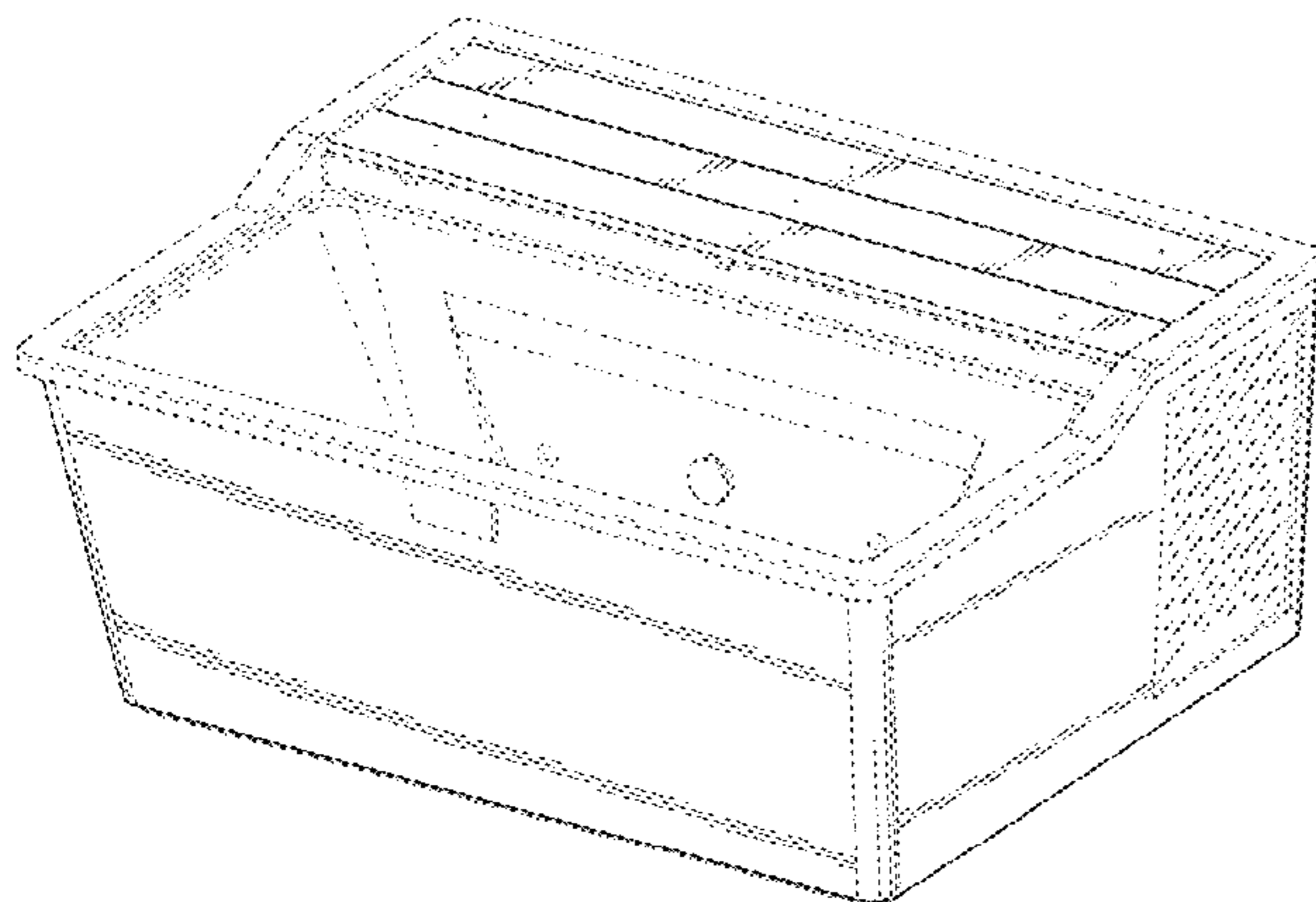
FIG. 1 is a front, right-side perspective view of a tank showing my design;  
 FIG. 2 is a rear, left-side perspective view;  
 FIG. 3 is a front elevation view;  
 FIG. 4 is a rear elevation view;  
 FIG. 5 is a left-side elevation view;  
 FIG. 6 is a right-side elevation view;  
 FIG. 7 is a top plan view; and,  
 FIG. 8 is a bottom plan view.  
 The broken lines shown in the drawings represent portions of the tank that form no part of the claimed design.

(56) **References Cited**

**U.S. PATENT DOCUMENTS**

D26,992 S	4/1897	Kornbaum
D217,074 S	3/1970	Jones
D244,711 S	6/1977	Armbruster
D246,728 S	12/1977	Wormser
D248,667 S	7/1978	Plugge
D271,523 S	11/1983	Richburg
D277,409 S	1/1985	Elsner

**1 Claim, 7 Drawing Sheets**



(56)

References Cited

U.S. PATENT DOCUMENTS

D499,467 S 12/2004 Aubry et al.  
 D510,984 S 10/2005 Matthews  
 D527,081 S 8/2006 Hatrick-Smith  
 D537,925 S 3/2007 Mahon  
 D547,877 S 7/2007 Walker  
 D560,768 S 1/2008 Smith  
 D585,995 S 2/2009 Sinka et al.  
 D598,079 S \* 8/2009 Lutz ..... D23/278  
 D613,834 S 4/2010 Kergoet  
 D613,835 S 4/2010 Hoh  
 D613,869 S 4/2010 Ton  
 D629,117 S 12/2010 Walker  
 D633,603 S 3/2011 Su  
 D639,916 S 6/2011 Dosne  
 D642,663 S 8/2011 Dosne  
 D645,567 S 9/2011 Walker et al.  
 D662,211 S 6/2012 Howe  
 D686,332 S 7/2013 Suri  
 D732,177 S 6/2015 Lee  
 D737,416 S 8/2015 Ahmes  
 D739,949 S 9/2015 Lee  
 D740,922 S 10/2015 Tu  
 D745,692 S 12/2015 Oh et al.  
 D796,646 S 9/2017 Schoenherr et al.  
 D801,489 S 10/2017 Schoenherr et al.  
 D802,724 S 11/2017 Schoenherr et al.  
 D810,245 S 2/2018 Schoenherr et al.  
 D843,000 S 3/2019 Harder et al.  
 D862,719 S \* 10/2019 Tran ..... D24/204  
 D864,402 S 10/2019 Rathnam  
 D867,552 S 11/2019 Kiukas  
 D882,047 S 4/2020 Burnstein  
 D882,822 S 4/2020 Painter et al.  
 D902,142 S 11/2020 Zheng et al.  
 D903,066 S 11/2020 Dominguez et al.  
 D904,586 S 12/2020 Magone  
 D936,234 S 11/2021 Bachand

D983,983 S 4/2023 Bachand  
 2015/0240509 A1 8/2015 Ferriss et al.  
 2016/0081875 A1 3/2016 Oh et al.  
 2016/0298348 A1 10/2016 Lisk

OTHER PUBLICATIONS

BlueCube Baths, CoreChill Cold Plunge, (site visited Mar. 9, 2023), BlueCube Baths website, URL:<[https://bluecubebaths.com/products/corechill-the-5-cold-plunge-ice-bath-pre-order?variant=42316731056299&gclid=EAlalQobChM12OCRn8TP\\_QIVZYJbCh000wVLEAKYAyABEgKWYfD\\_BwE](https://bluecubebaths.com/products/corechill-the-5-cold-plunge-ice-bath-pre-order?variant=42316731056299&gclid=EAlalQobChM12OCRn8TP_QIVZYJbCh000wVLEAKYAyABEgKWYfD_BwE)> (Year: 2023).  
 Brass Monkey Health Ltd, “Ice Plunge: Take the Plunge”, <https://www.brassmonkey.co.uk/product/ice-plunge/>, accessed Oct. 13, 2022.  
 Breathe Degrees, “You’ve probably seen these classy cold tubs at our Solana Beach spot. Well . . . ” (posted Feb. 17, 2021), Twitter.com, URL:<<https://twitter.com/breathededegrees/status/1362070707430174724?cxt=HhwWiMC5tfCFhuclAAAA>> (Year: 2021).  
 RenuTherapy, @renutherapy Instagram profile with posts and stories—Picuki.com. Posted before Dec. 2020. Retrieved from website at: <https://picuki.com/profile/renutherapy>.  
 FuroHealth’s Instagram post dated Nov. 5, 2018, available at <https://www.instagram.com/p/Bp0L8Q1Dhzk/>.  
 FuroHealth’s Instagram post dated Jan. 1, 2019, available at <https://www.instagram.com/p/BsGzh7yDTYY/>.  
 Photos of Breathe Degrees Cold Plunge Tub, alleged by third party to be offered for sale to the public and sold in Sep. 2020.  
 Renu Therapy, @renutherapy’s Instagram post dated Dec. 16, 2019, accessed at [https://www.instagram.com/p/B6JcjkfDT\\_a/?hl=en](https://www.instagram.com/p/B6JcjkfDT_a/?hl=en).  
 Renu Therapy, @renutherapy’s Instagram post dated Dec. 20, 2019, accessed at <https://www.instagram.com/p/B6Ua7dUF-n1/?hl=en>.  
 Renu Therapy, @renutherapy’s Instagram post dated Jan. 13, 2020, accessed at <https://www.instagram.com/p/B7SIAg8IHVM/?hl=en>.  
 Renu Therapy, @renutherapy’s Instagram post dated Aug. 24, 2020, accessed at <https://www.instagram.com/p/CESgYvmFGYm/?hl=en>.

\* cited by examiner

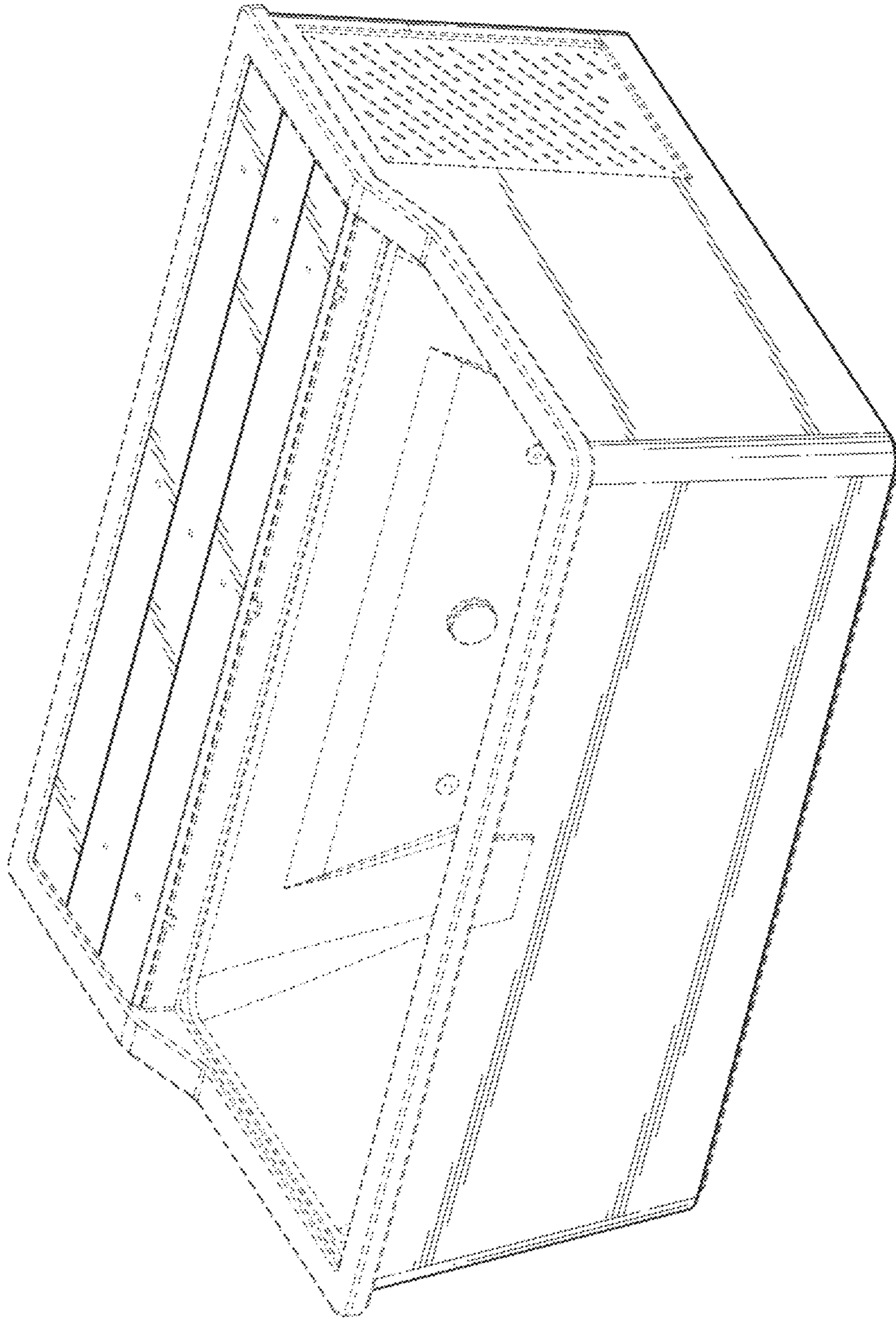


FIG. 1

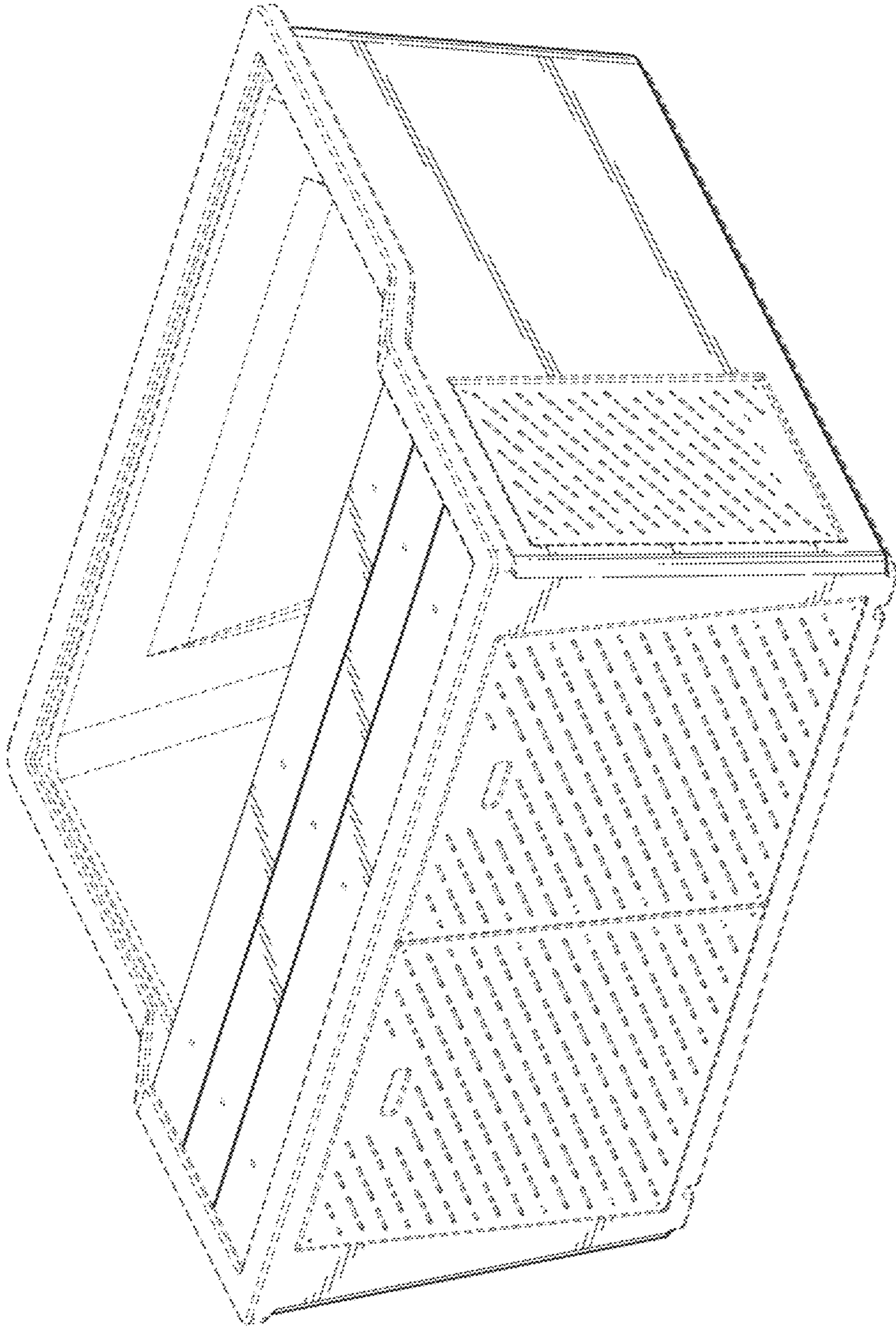


FIG. 2

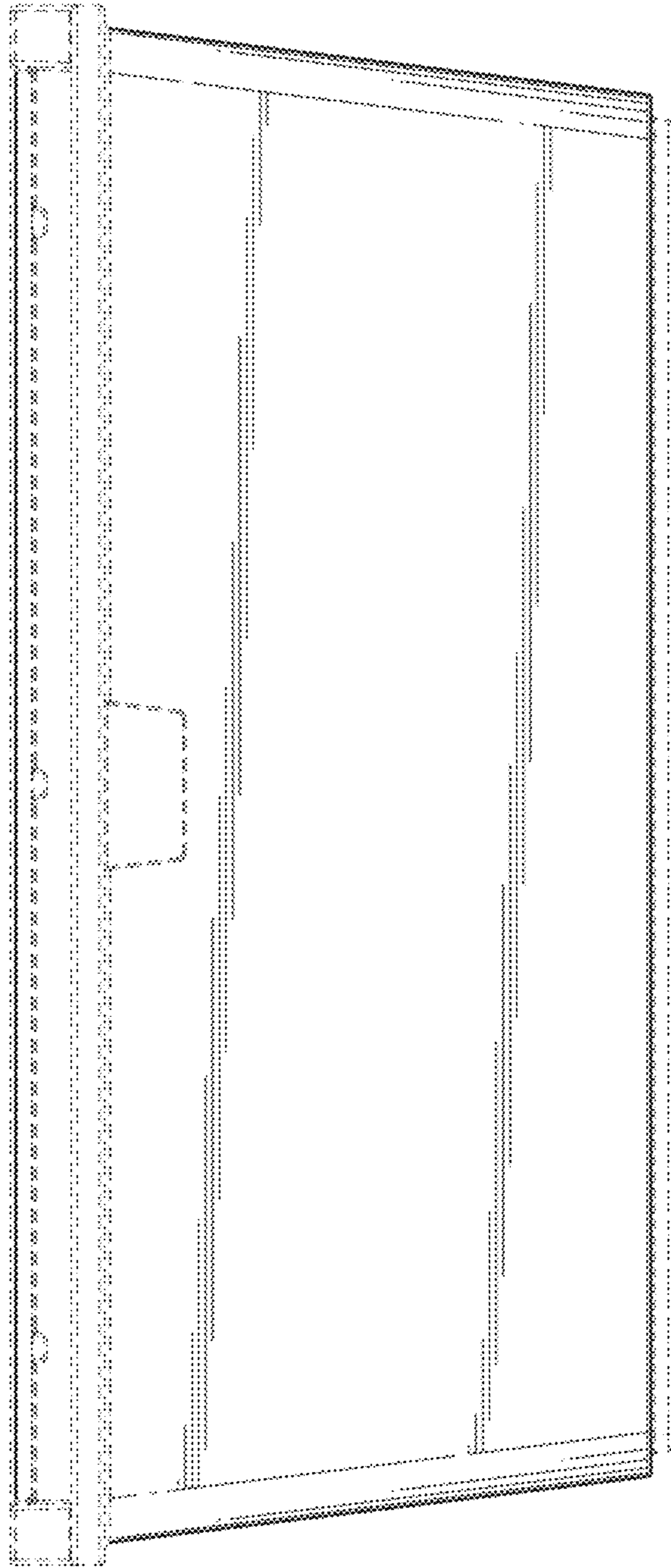


FIG. 3

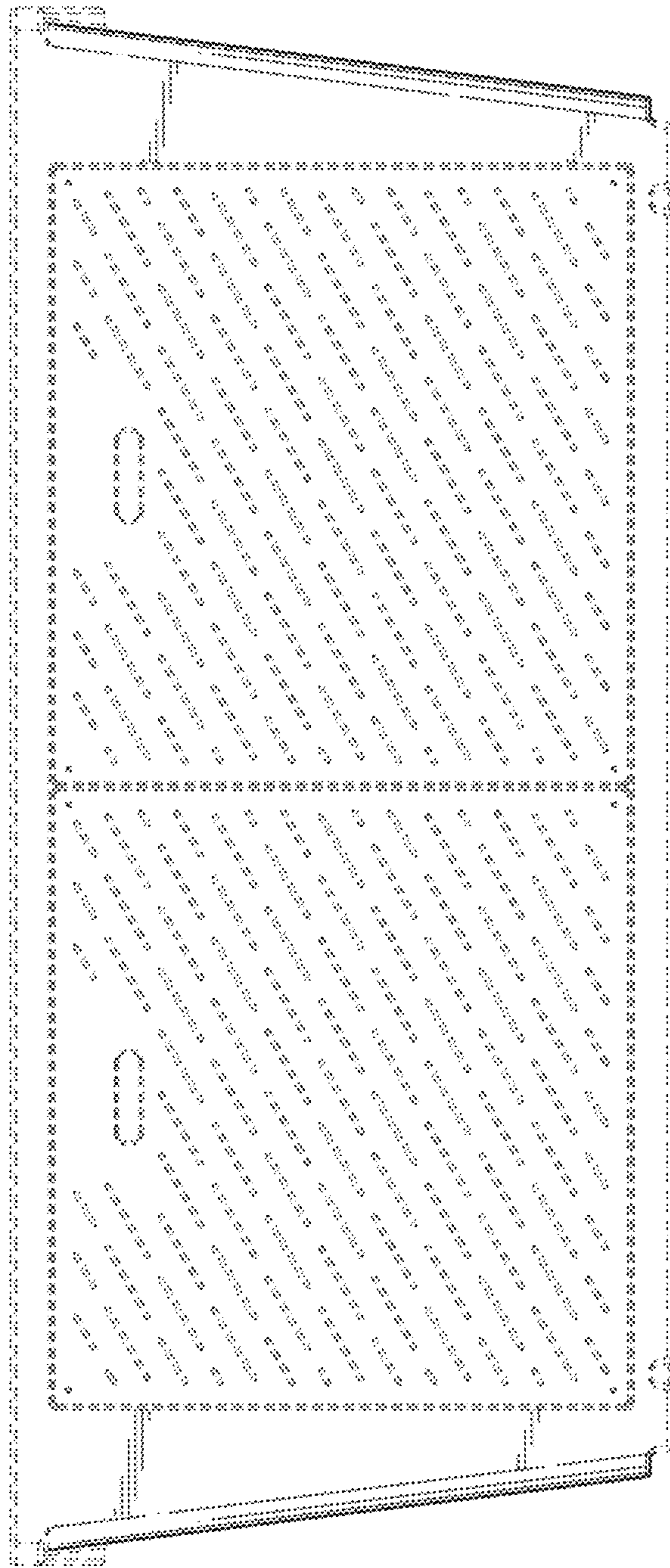


FIG. 4

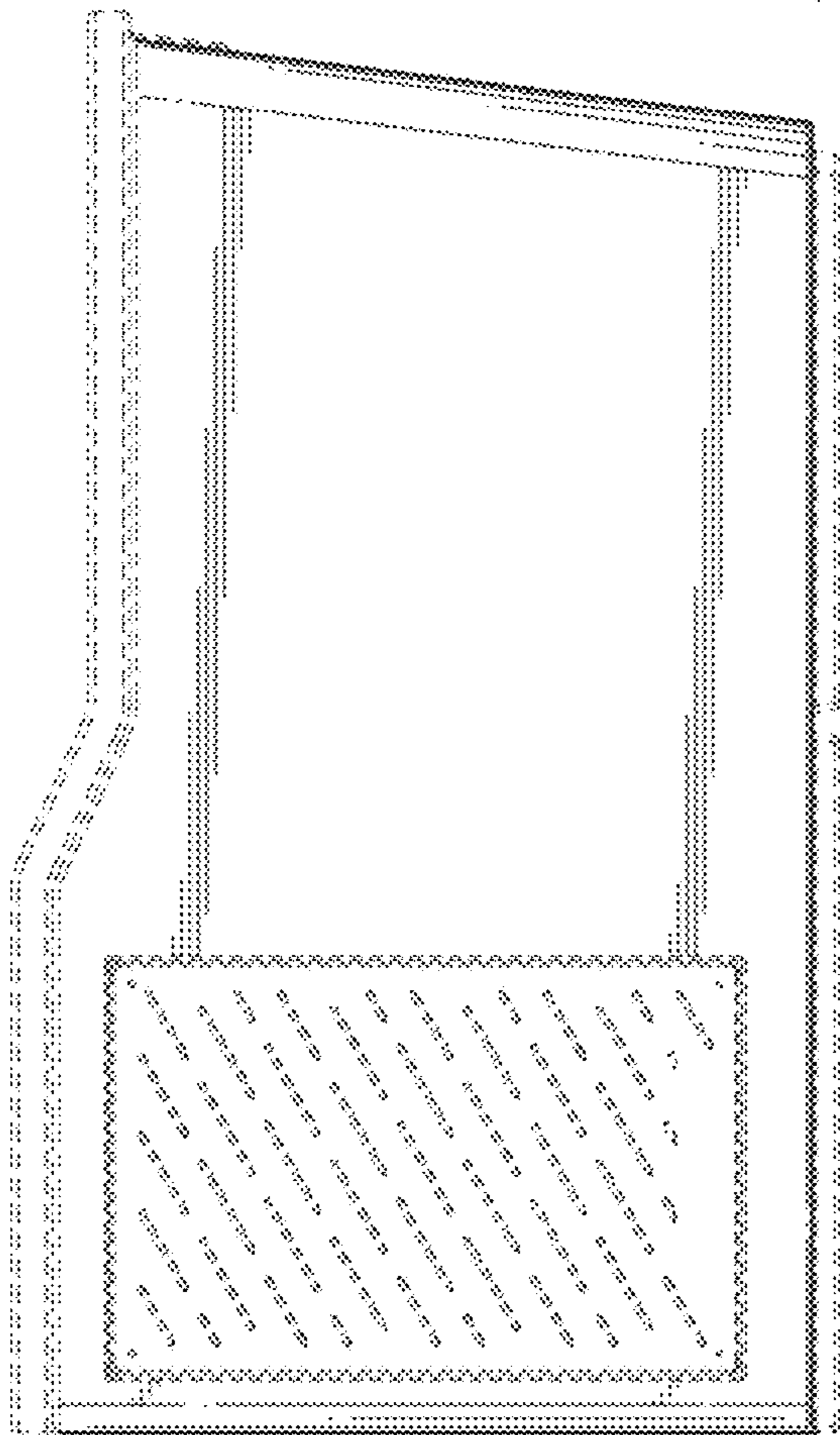


FIG. 5

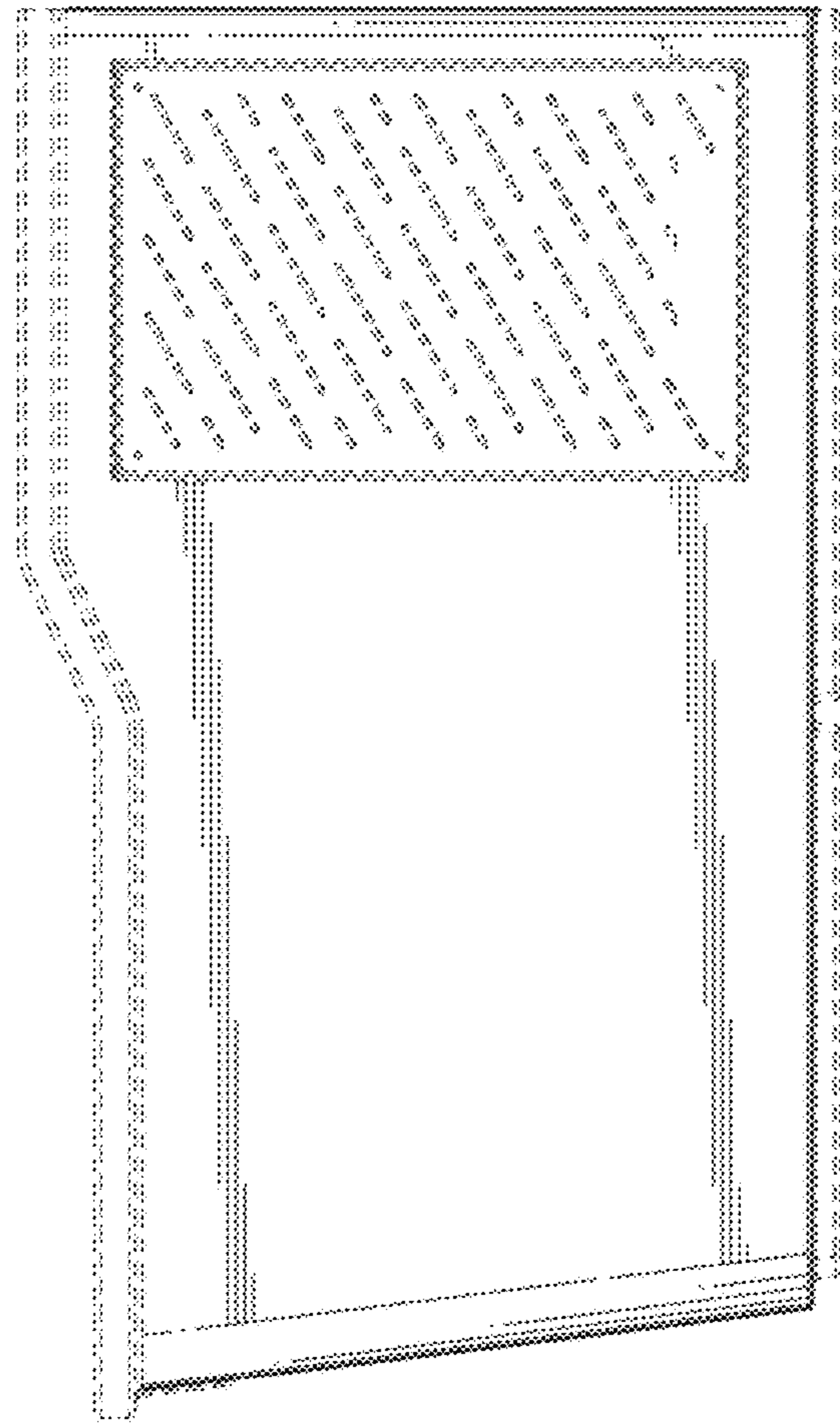


FIG. 6

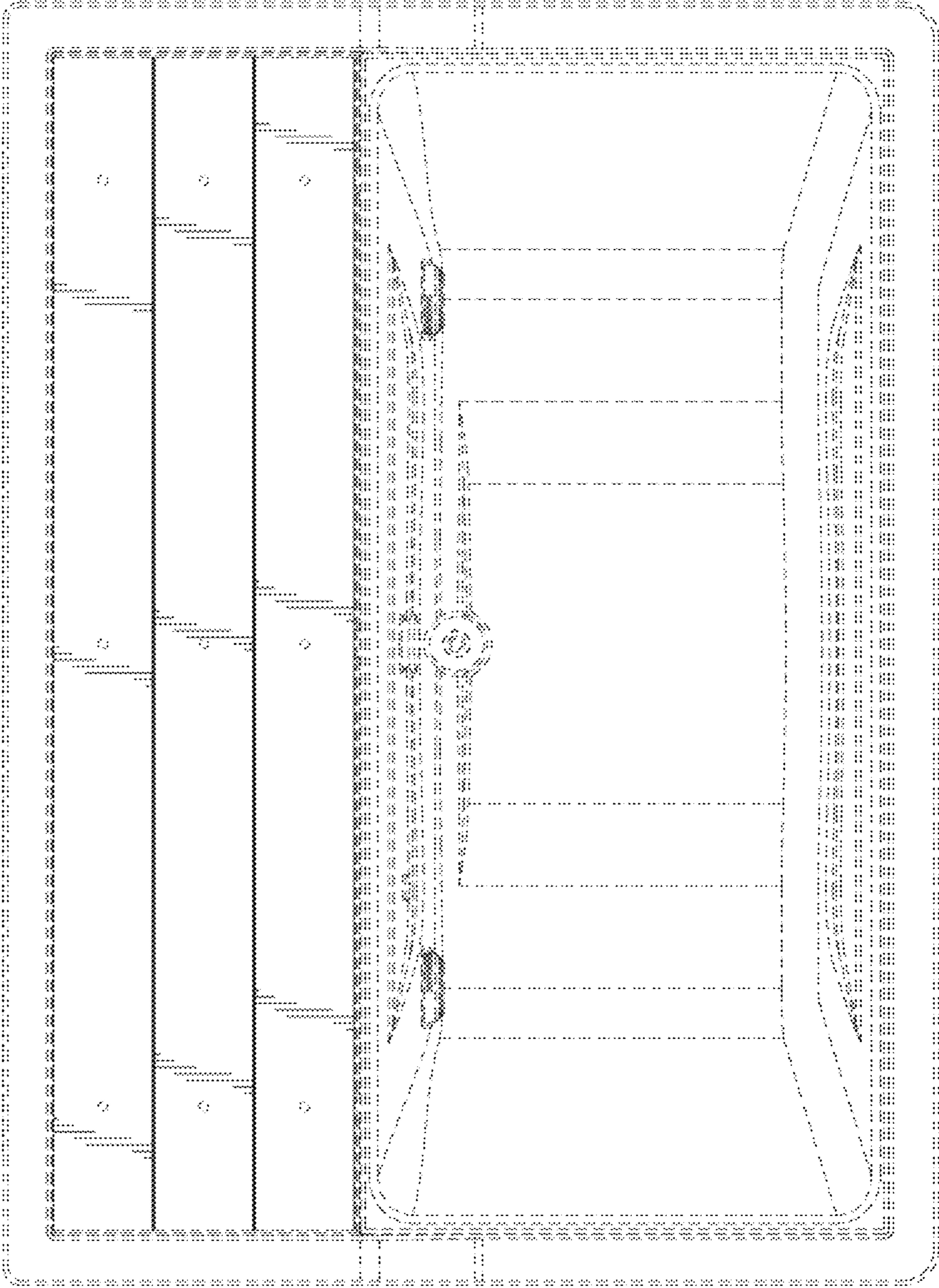


FIG. 7



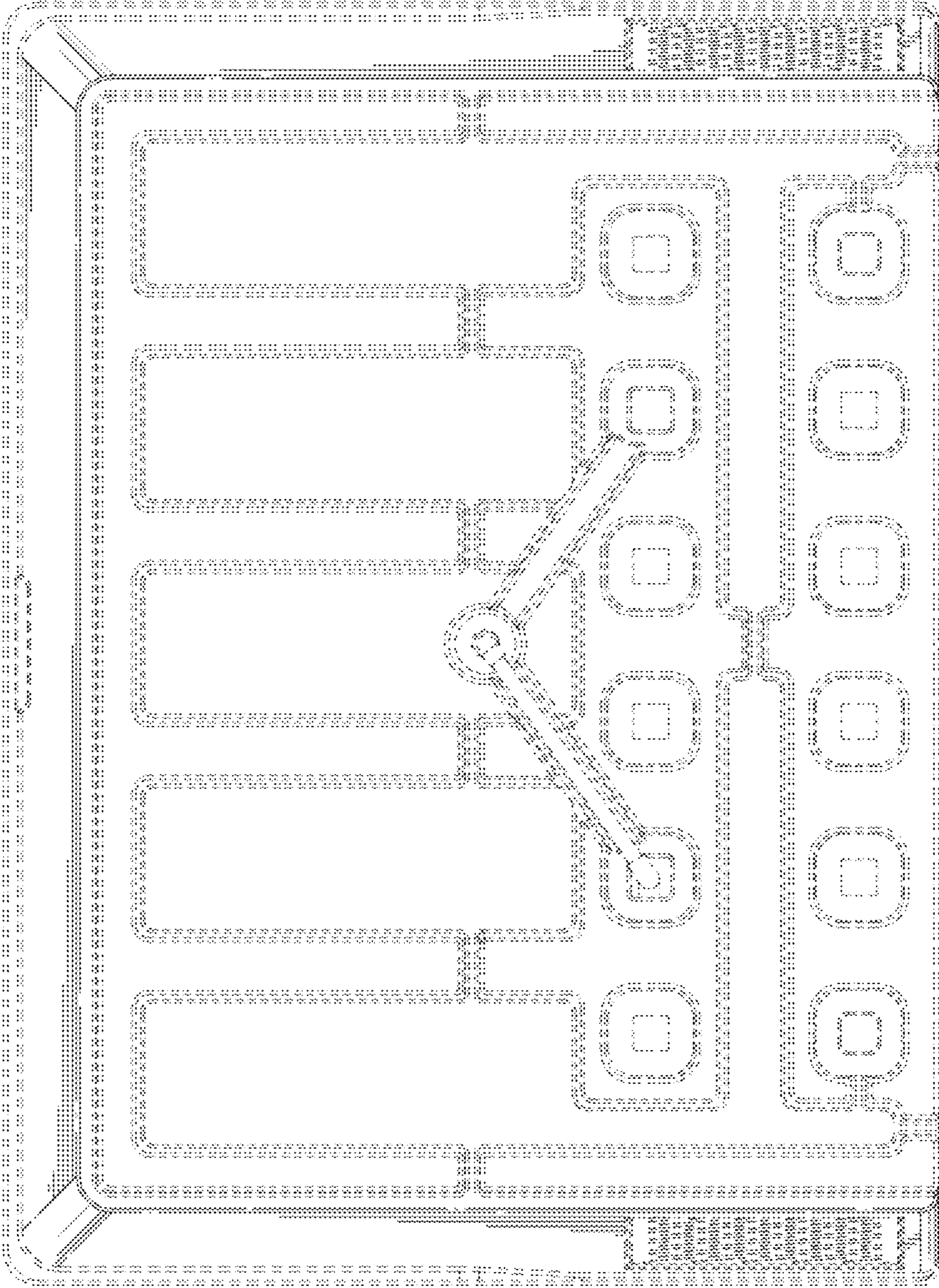


FIG. 8